

HP8587

-UN-18MAY99



*JOHN DEERE 9550 SELF-PROPELLED COMBINE™ WITH 90 SERIES CORN HEAD
MANUFACTURED (1999-)*

(SPECIFICATIONS AND DESIGN SUBJECT TO CHANGE WITHOUT NOTICE)

COPYRIGHT (C) 2000. DEERE & COMPANY. MOLINE, ILLINOIS, USA. ALL RIGHTS RESERVED.

NOTE

FOR 900 SERIES PLATFORM PARTS INFORMATION, REFER TO JOHN DEERE PARTS CATALOG - PC2104.

FOR 40 SERIES CORN HEAD PARTS INFORMATION, REFER TO JOHN DEERE PARTS CATALOG - PC1223.

FOR 50A SERIES ROW-CROP HEAD PARTS INFORMATION, REFER TO JOHN DEERE PARTS CATALOG - PC1747.

FOR THREE-ROLLER BELT PICKUP PARTS INFORMATION, REFER TO JOHN DEERE PARTS CATALOG - PC2210.

FOR 918 AND 920 DRAPER PARTS INFORMATION, REFER TO JOHN DEERE PARTS CATALOG - PC2212.

FOR 90 SERIES CORN HEAD PARTS INFORMATION, REFER TO JOHN DEERE PARTS CATALOG - PC2404.

FOR 900R & F SERIES PLATFORM PARTS INFORMATION, REFER TO JOHN DEERE PARTS CATALOG - PC2771.

FOR 914P BELT PICKUP PARTS INFORMATION, REFER TO JOHN DEERE PARTS CATALOG - PC2772.

IMPORTANT

THIS PARTS CATALOG CONTAINS PARTS INFORMATION FOR THE 9550 AND 9550 SIDEHILL SELF-PROPELLED COMBINE.

VINTAGE IS DETERMINED BY THE COMBINE SERIAL NUMBER OR THE PRODUCT IDENTIFICATION NUMBER (PIN). IT IS IMPORTANT THAT THE CORRECT NUMBERS BE USED WHEN ORDERING PARTS.

TWO LINE BAR CODED ENGINE SERIAL NUMBER PLATE

RGP5307 -UN-21JUN99



RGP5307

FIRST LINE

RG - WATERLOO ENGINE WORKS

6

081 (8.1 LITERS)

H - AIR-TO-AIR

H

XXXXXX

SECOND LINE

6081HH008

6081HH009

DEFINES

DESIGNATES ENGINE MANUFACTURER.

DESIGNATES NUMBER OF CYLINDERS.

DESIGNATES LITER DISPLACEMENT.

DESIGNATES TYPE OF AIR INTAKE SYSTEM.

DESIGNATES HARVESTER VEHICLE.

DESIGNATES ENGINE SERIAL NUMBER.

APPLICATION

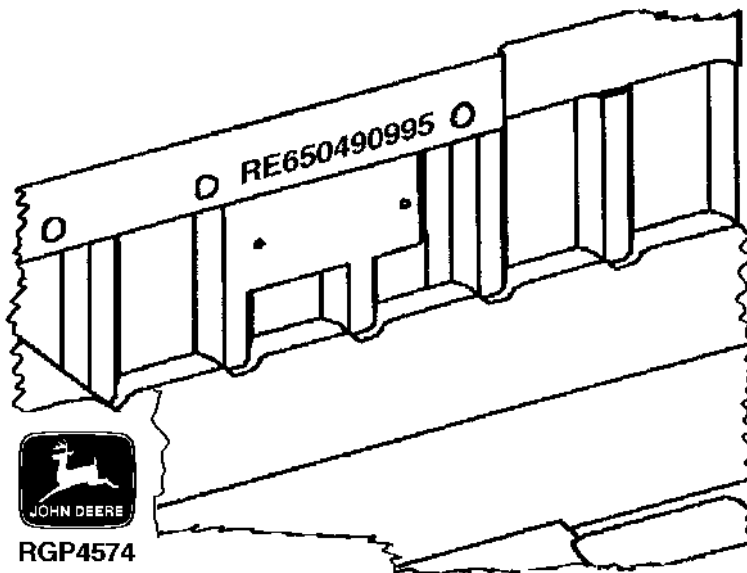
9550

9550 SIDEHILL

SHORT BLOCK SERIAL NUMBER IDENTIFICATION

RGP4574

-UN-02OCT95



SERIAL NUMBER STAMPED INTO CASTING OF BLOCK NEAR PREVIOUS SERIAL NUMBER PLATE.

EXAMPLE: RE650490995

- | | |
|-----------------------------------|---------|
| 1. DESIGNATES SERVICE PART NUMBER | RE65049 |
| 2. DESIGNATES MONTH ASSEMBLED | 09 |
| 3. DESIGNATES YEAR ASSEMBLED | 95 |

PRODUCT INFORMATION NUMBER (PIN) PLATE

THE PRODUCT IDENTIFICATION NUMBER (PIN) PLATE IS LOCATED NEAR THE RIGHT-HAND SIDE OF THE TOOL BOX. AN EXAMPLE OF THE TWO-LINES ON THIS PIN PLATE IS:

HO9550X685000
COMBINE

(FIRST LINE)

HO - MANUFACTURING UNIT (HARVESTER WORKS)

9550 - MODEL IDENTIFIER

X - CONFIGURATION CODE/MODEL IDENTIFIER SUFFIX

900000 - SEQUENTIAL NUMBER USED IN SERIAL NO. COLUMN

(SECOND LINE)

COMBINE - TYPE OF PRODUCT

DIRECTION ARROW

ARROWS ARE USED WITH ILLUSTRATIONS TO INDICATE THE FRONT OF THE UNIT. "RIGHT-HAND" AND "LEFT-HAND" SIDES ARE DETERMINED BY FACING IN THE DIRECTION OF MACHINE FORWARD TRAVEL.

BOX-ENCLOSED ILLUSTRATIONS

A KEY NUMBER, SHOWN IN THE PARTS LIST, IS ASSIGNED TO A BOX ENCLOSING ALL PARTS SOLD AS A SERVICE ASSEMBLY. A BOX NOT KEYED INCLUDES NON-CURRENT PARTS.

KITS

KIT INFORMATION WILL BE FOUND IMMEDIATELY FOLLOWING THE STORY IN WHICH IT IS USED. THE ILLUSTRATION IS REPEATED WITH ONLY THE KIT PARTS CALLED OUT AND WITH ALL OTHER PARTS SHOWN IN PHANTOM.

JDM REMANUFACTURED COMPONENTS

THE SERVICE PARTS LISTED IN THIS CATALOG ARE INTENDED FOR THE REPAIR OF ORIGINAL EQUIPMENT COMPONENTS. ALTHOUGH MOST SERVICE PARTS MAY BE USED TO REPAIR REMANUFACTURED COMPONENTS, THE REMANUFACTURED DESIGN MAY CHANGE PARTS SUFFICIENTLY SO THAT SERVICE PARTS ARE INADEQUATE OR NOT USABLE.

BOLT AND CAP SCREW STRENGTH IDENTIFICATION

BOLTS AND CAP SCREWS REQUIRED TO HAVE HIGH-STRENGTH QUALITIES EQUIVALENT TO SAE GRADE 8 ARE IDENTIFIED THROUGHOUT THIS CATALOG BY THE DESCRIPTION HS SAE 8. ALL STANDARD BOLTS AND CAP SCREWS ARE SAE GRADE 5 OR LOWER. BOLTS AND CAP SCREWS REQUIRED TO HAVE HIGH-STRENGTH QUALITIES EQUIVALENT TO PROPERTY CLASS 10.9 ARE IDENTIFIED THROUGHOUT THIS CATALOG BY THE DESCRIPTION 10.9. ALL STANDARD BOLTS AND CAP SCREWS ARE PROPERTY CLASS 8.8 OR LOWER.

SI UNITS OF MEASURE

METRIC DIMENSIONS ARE GIVEN, WHERE APPLICABLE, THROUGHOUT THIS PARTS CATALOG.

TRADEMARKS

THROUGHOUT THIS PARTS CATALOG, YOU WILL FIND THE FOLLOWING DEERE & COMPANY TRADEMARKS:

DIAL-A-SPEED™
DIAL-A-MATIC™
HARVESTRAK™
CONTOUR MASTER™

POSI-TORQ™
TORQ-GARD SUPREME®
QUIK-TATCH™

CHANGE INDICATOR LINE

CHANGES AFFECTING THE ORDERING OF PARTS ARE IDENTIFIED BY VERTICAL LINES MARKED IN THE LEFT-HAND MARGIN OF REVISED PARTS LISTING IMAGES. A LINE IS ALSO AT THE LEFT-HAND EDGE OF THE SAME PART NUMBER IN THE NUMERICAL INDEX TO SHOW THE LOCATION OF REVISED INFORMATION.

FUNCTION CODE

(EXAMPLE - FC: 5000)

FUNCTION CODES ARE LOCATED ON EACH PAGE IN THE UPPER RIGHT-HAND CORNER IN THE BOX. THE CODE LISTED IS A GROUPING CODE THAT CAN BE USED FOR WARRANTIES AND FOR DTAC TO IDENTIFY CERTAIN AREAS.

COMPLETE GOODS LISTINGS

COMPLETE GOODS ARE IN BOLD FACE TYPE. ORDER SEPARATELY. DO NOT INCLUDE ON REPLACEMENT PARTS ORDER.

SECTION INDEX

SECTION 10 - GENERAL INFORMATION

SECTION 20 - ENGINE ACCESSORIES

SECTION 25 - ENGINE

SECTION 30 - FUEL AND AIR

SECTION 40 - ELECTRICAL

SECTION 50 - POWER TRAIN

SECTION 60 - STEERING AND BRAKES

SECTION 70 - HYDRAULICS

SECTION 80 - BODY AND SHIELDS

SECTION 90 - OPERATOR'S STATION

SECTION 95 - AIR CONDITIONING AND HEATING

SECTION 100 - FEEDER HOUSE

SECTION 110 - THRESHING AND SEPARTION

SECTION 120 - CLEANING SHOE

SECTION 125 - ELEVATORS

SECTION 130 - RESIDUE DISPOSAL

SECTION 135 - SIDEHILL LEVELING

SECTION 140 - DRIVES

SECTION 150 - GRAIN TANK AND UNLOADING AUGER

SECTION 155 - GREENSTAR YIELD MAPPING AND MONITOR SYSTEMS

SECTION 160 - RUBBER TRACK SYSTEM

SECTION 170 - DECALS

SECTION 180 - NUMERICAL INDEX

ALPHABETICAL INDEX

GRID		PAGE	GRID		PAGE
	A				
3D11	A/C COMPRESSOR MANIFOLD.....	95 - 11	3B21	ARMREST, OPERATOR'S SEAT	90 - 20
3D11	A/C COMPRESSOR R134A	95 - 11	3B13	ASHTRAY.....	90 - 12
1H5	ACCESS COVER FUEL INJECTION PUMP	40 - 58	2F23	ASSEMBLY, SIX STACK SOLENOID VALVE	70 - 14
2J18	ACCESS PLATFORM, ENGINE	80 - 38	2E16	ATTENUATOR, STEERING HOSES.....	60 - 16
2G18	ACCUMULATOR AND MOUNTING, ONE GALLON	70 - 34	4F9	AUGER DRIVE, UPPER TAILINGS AND SHIELD.....	140 - 54
2G20	ACCUMULATOR PRESSURE GAUGE AND WIRING HARNESS	70 - 36	3I23	AUGER HOUSING, LOADING, UPPER CLEAN GRAIN	125 - 8
2G16	ACCUMULATOR, ONE HALF GALLON	70 - 32	1G17	AUGER LIGHT, UNLOADING	40 - 44
4I19	ACCUMULATOR, TENSION CYLINDER	160 - 26	4G5	AUGER MOUNTING, UNLOADING, SWING	150 - 16
3C11	ACTIVE HEADER HEIGHT CONTROL DISPLAY, R.H. CORNERPOST PANEL.....	90 - 36	4G9	AUGER SWIVEL SUPPORT AND BRACES	150 - 20
2G7	ACTIVE HEADER HEIGHT CONTROL HYDRAULIC LINE AND VALVE BLOCK	70 - 22	3J9	AUGER TROUGH, LOWER TAILINGS.....	125 - 18
1H19	ACTUATOR, STRAW WALKING SENSING SWITCH	40 - 73	3I19	AUGER, CLEAN GRAIN LOWER	125 - 4
1D10	ADAPTER, OIL COOLER	25 - 30	4G23	AUGER, CROSS, COVERS AND CHANNEL.....	150 - 34
1D9	ADAPTER, OIL COOLER BYPASS	25 - 29	4G21	AUGER, GRAIN TANK CROSS	150 - 32
2B6	ADAPTER, TRANSMISSION.....	50 - 2	4G1	AUGER, GRAIN TANK, VERTICAL UNLOADING	150 - 12
1D4	ADHESIVE, ROCKER ARM COVER GASKET	25 - 23	4G17	AUGER, HORIZONTAL UNLOADING.....	150 - 28
4I1	ADJUSTABLE IDLER ASSEMBLY AND FRONT ARM ..	160 - 6	3J1	AUGER, LOADING, CLEAN GRAIN	125 - 10
2B8	ADJUSTABLE REAR AXLE.....	50 - 4	3J15	AUGER, LOWER TAILINGS	125 - 24
2F7	ADJUSTABLE REAR AXLE STEERING TIE RODS	60 - 33	3H17	AUGER, SHOE GRAIN SUPPLY AND HOUSING	120 - 2
4E11	ADJUSTING BRACKET, CYLINDER DRIVE, DUAL-RANGE	140 - 32	3J17	AUGER, TIGHTENER, LOWER DRIVE ELEVATOR	125 - 26
1H13	ADJUSTING MOTOR, CONCAVE.....	40 - 66	4F9	AUGER, UPPER TAILINGS.....	140 - 54
1H18	ADJUSTING MOTOR, SEPARATOR FAN DRIVE	40 - 72	2B9	AXLE SPACERS	50 - 5
1E22	AIR CLEANER AND INTAKE TUBES.....	30 - 18	2B10	AXLE SPACERS	50 - 6
3D12	AIR CONDITIONER COMPRESSOR HOSE	95 - 12	4J17	AXLE STOP AND TIRE CLEARANCE LABEL.....	170 - 20
1B19	AIR CONDITIONER COMPRESSOR PULLEY.....	20 - 17	2B5	AXLE SUPPORT, REAR	50 - 1
1B19	AIR CONDITIONER COMPRESSOR SUPPORT	20 - 17	4I8	AXLE, BOGEY WHEEL	160 - 14
3D7	AIR CONDITIONING AND HEATER DUCTS	95 - 7	2B7	AXLE, FIXED REAR	50 - 3
3D4	AIR CONDITIONING AND HEATER HOUSING, LOWER	95 - 4	2B6	AXLE, FRONT (SIDEHILL)	50 - 2
3D2	AIR CONDITIONING AND HEATER HOUSING, UPPER.....	95 - 2	4I5	AXLE, IDLER	160 - 10
3D14	AIR CONDITIONING COMPRESSOR HARDWARE.....	95 - 14	2B8	AXLE, REAR, ADJUSTABLE.....	50 - 4
2F18	AIR CONDITIONING CONDENSER	70 - 8	2F4	AXLE, REAR, SPINDLES (HEAVY DUTY).....	60 - 30
3D9	AIR CONDITIONING SYSTEM - RECEIVER-DRYER	95 - 9	2F2	AXLE, REAR, SPINDLES (REGULAR DUTY)	60 - 28
3D10	AIR CONDITIONING SYSTEM, EVAPORATOR HEATER.....	95 - 10	2C6	AXLE, SUPPORT, FRONT	50 - 28
3D8	AIR CONDITIONING SYSTEM, WATER VALVE	95 - 8		B	
1G9	AIR CONDITIONING WIRING HARNESS	40 - 36	1H9	BACKSHAFT SPEED SENSOR, FEEDER HOUSE.....	40 - 62
3H19	AIR DUCT, CLEANOUT FAN	120 - 4	1E14	BASE, FUEL FILTER.....	30 - 10
3D2	AIR DUCT, INTAKE	95 - 2	4F18	BASE, GRAIN TANK	150 - 4
3B19	AIR SEAT SUSPENSION	90 - 18	1D11	BASE, OIL FILTER	25 - 32
3B21	AIR SEAT SWITCH	90 - 20	1H22	BATTERIES AND CABLES	40 - 76
4I3	AIR SUSPENSION.....	160 - 8	2C10	BEARING CAP AND HOUSING, FINAL DRIVE (SIDEHILL).....	50 - 32
1H5	ALTERNATOR ADJUSTING STRAP.....	40 - 58	3H11	BEARING KIT, STRAW WALKERS	110 - 24
1H5	ALTERNATOR SUPPORT AND BRACKET	40 - 58	1C20	BEARING KIT, UNDERSIZED MAIN BEARING CRANKSHAFT	25 - 13
1H3	ALTERNATOR, SHEAVE AND BELT (185 AMP)	40 - 56	4I10	BEARING, BOGEY WHEEL	160 - 16
1H1	ALTERNATOR, SHEAVE AND BELT - (95 AMP)	40 - 54	4I8	BEARING, BOGEY WHEEL AXLE	160 - 14
3C15	ANTENNA, SPEAKERS AND RADIO	90 - 40	2C24	BEARING, CAM LOBE MOTOR	50 - 48
3I1	ARM, FRAME, PRECLEANER CHAFFER	120 - 10	3I19	BEARING, CLEAN GRAIN, LOWER.....	125 - 4
4I1	ARM, FRONT AND ADJUSTABLE IDLER ASSEMBLY..	160 - 6	2C8	BEARING, FINAL DRIVE, SINGLE REDUCTION	50 - 30
4I5	ARM, REAR	160 - 10	3E1	BEARING, GEAR BOX (STANDARD).....	100 - 10
1D3	ARM, ROCKER	25 - 22	4I7	BEARING, IDLER WHEEL.....	160 - 12
2D6	ARM, STEERING, CAM LOBE MOTOR (STEERABLE MOTOR).....	50 - 56	1C21	BEARING, MAIN (8400).....	25 - 14
4B18	ARM, TAILBOARD, CHOP-TO-BALE	130 - 16	4D13	BEARING, MAIN GEARCASE	140 - 6
1G13	ARM, WINDSHIELD WIPER	40 - 40	3D23	BEARING, REVERSE GEAR BOX, HIGH CAPACITY	100 - 6
3B24	ARMREST PANEL, OPERATOR'S	90 - 24	3H17	BEARING, SHOE GRAIN AUGER	120 - 2
3C1	ARMREST PANEL, OPERATOR'S	90 - 26	3J14	BEARING, TAILINGS ELEVATOR CONVEYOR	125 - 23
3B24	ARMREST ROCKER SWITCHES	90 - 24	1C21	BEARING, THRUST (8400).....	25 - 14
3C1	ARMREST ROCKER SWITCHES	90 - 26	2B19	BEARING, TRANSMISSION	50 - 16
1G5	ARMREST WIRING HARNESS.....	40 - 32	2B21	BEARING, TRANSMISSION PINION SHAFT.....	50 - 18
			4E19	BEATER DRIVE SHEAVES AND TIGHTENER	140 - 40
			3H1	BEATER GRATE (NARROW)	110 - 14
			3H6	BEATER GRATE CURTAIN	110 - 19
			3H7	BEATER, SHAFT AND DRIVE BELT	110 - 20

ALPHABETICAL INDEX - CONTINUED

GRID		PAGE	GRID		PAGE
4I17	BELT AND DRIVE WHEEL	160 - 24	1G13	BLADE, WIPER	40 - 40
4H3	BELT GUIDE, UNLOADING AUGER DRIVE	150 - 40	4B7	BLADES, TRI-ROD CHOPPER	130 - 4
2H1	BELT PICKUP / REEL DRIVE, PUMP MOUNTING SHEAVE	70 - 42	1B20	BLOCK, ENGINE COOLANT HEATER	20 - 18
4K3	BELT, AIR CONDITIONING COMPRESSOR	170 - 30	1C13	BLOCK, SHORT	25 - 6
4K5	BELT, AIR FLOW DRIVE	170 - 32	2C23	BLOCK, VALVE	50 - 46
1H3	BELT, ALTERNATOR (185 AMP)	40 - 56	4I10	BOGEY WHEEL ASSEMBLY	160 - 16
4K1	BELT, ALTERNATOR (185 AMP)	170 - 28	4I8	BOGEY WHEEL AXLES	160 - 14
1H1	BELT, ALTERNATOR (95 AMP)	40 - 54	3C9	BOOT, GEARSHIFT	90 - 34
4K1	BELT, ALTERNATOR (95 AMP)	170 - 28	1H3	BOSCH ALTERNATOR, SHEAVE AND BELT (185 AMP)	40 - 56
3B24	BELT, ARMREST CONTROL PANEL	90 - 24	1H1	BOSCH ALTERNATOR, SHEAVE AND BELT (95 AMP)	40 - 54
3H7	BELT, BEATER	110 - 20	4I11	BOX, GEAR, TRANSFER	160 - 18
4K7	BELT, BEATER	170 - 34	2J20	BOX, TOOL	80 - 40
4E19	BELT, BEATER DRIVE AND TIGHTENER	140 - 40	2G16	BRACKET, ACCUMULATOR MOUNTING ONE HALF GALLON	70 - 32
4F3	BELT, CHOPPER DRIVE, FRONT	140 - 48	1H5	BRACKET, ALTERNATOR	40 - 58
4F12	BELT, CLEAN GRAIN ELEVATOR	140 - 58	2E11	BRACKET, BRAKE CABLE SUPPORT	60 - 11
4K3	BELT, CLEAN GRAIN ELEVATOR	170 - 30	4B18	BRACKET, CHOP-TO-BALE	130 - 16
4E21	BELT, CLEANING FAN	140 - 42	1H14	BRACKET, CONCAVE INDICATOR	40 - 68
4K5	BELT, CLEANING FAN	170 - 32	4H8	BRACKET, DISPLAY, YIELD MAPPING	155 - 4
4K3	BELT, COOLING FAN	170 - 30	3G3	BRACKET, FEEDER HOUSE, SIDEHILL, UPPER	100 - 62
1B14	BELT, COOLING FAN, ENGINE	20 - 12	2J16	BRACKET, FUEL TANK	80 - 36
4D24	BELT, COUNTERSHAFT DRIVE AND VARIABLE SHEAVE	140 - 18	4C21	BRACKET, LEVELING CABLES AND SHEAVES SIDEHILL (LOWER FRONT)	135 - 12
4E2	BELT, CYLINDER DRIVE	140 - 22	1H21	BRACKET, LOW SHAFT SPEED SENSORS	40 - 75
4K3	BELT, CYLINDER DRIVE	170 - 30	4H10	BRACKET, MASS FLOW SENSOR, YIELD MAPPING ..	155 - 6
4K3	BELT, CYLINDER INTERMEDIATE DRIVE	170 - 30	4H12	BRACKET, MOISTURE SENSOR, YIELD MAPPING ...	155 - 8
4E9	BELT, DUAL RANGE CYLINDER DRIVE	140 - 30	4H6	BRACKET, POSITION RECEIVER YIELD MAPPING ...	155 - 2
4D23	BELT, ELECTROMAGNETIC CLUTCH	140 - 16	2F22	BRACKET, SOLENOID CONTROL VALVE	70 - 12
4K1	BELT, FEEDER CONVEYOR	170 - 28	4H10	BRACKET, TRANSDUCER MOUNTING YIELD MAPPING	155 - 6
3E7	BELT, FEEDER HOUSE DRIVE TIGHTENER	100 - 16	2E11	BRAKE CABLE SUPPORT BRACKET	60 - 11
3G1	BELT, FEEDER HOUSE DUST PAN, L.H.	100 - 60	2E8	BRAKE CYLINDER, MASTER	60 - 8
3E3	BELT, FIXED SPEED FEEDERHOUSE WITH REVERSER	100 - 12	2E6	BRAKE LINES, MASTER CYLINDER AND RESERVOIR	60 - 6
4K5	BELT, FIXED SPEED FEEDERHOUSE W/REVERSER	170 - 32	2E4	BRAKE PEDAL AND MASTER CYLINDER	60 - 4
3G7	BELT, FRONT DRIVE SHAFT, FEEDER HOUSE (FIXED SPEED WITH REVERSER)	100 - 66	2E2	BRAKE PEDAL AND SEAL, PARKING	60 - 2
3D19	BELT, HEADER AND REEL PUMP	100 - 2	2E12	BRAKE SHOES AND DRUM	60 - 12
4K5	BELT, HEADER AND REEL PUMP	170 - 32	4I15	BRAKE SHOES AND DRUM	160 - 22
3J15	BELT, LOWER TAILINGS AUGER AND ELEVATOR ...	125 - 24	2E10	BRAKE SLAVE CYLINDER	60 - 10
4K3	BELT, LOWER TAILINGS AUGER AND ELEVATOR ...	170 - 30	2E4	BRAKE, MASTER CYLINDER	60 - 4
3J17	BELT, LOWER TAILINGS DRIVE AUGER	125 - 26	2G20	BULB, ACCUMULATOR PRESSURE GAUGE	70 - 36
3B21	BELT, OPERATOR'S SEAT	90 - 20	3C1	BULB, ARMREST CONTROL PANEL	90 - 26
4K3	BELT, ROTARY SCREEN	170 - 30	3B11	BULB, CAB LIGHT, ROOF	90 - 10
1B4	BELT, ROTARY SCREEN DRIVE	20 - 2	1H23	BULB, CAB ROOF LIGHT	40 - 77
4K3	BELT, ROTARY SCREEN DRIVE	170 - 30	2I23	BULB, FLOODLAMP, LEFT REAR CORNER PANEL ...	80 - 18
3B23	BELT, SEAT ASSEMBLY	90 - 22	1H24	BULB, FRONT AND REAR	40 - 78
4K1	BELT, SECONDARY COUNTERSHAFT	170 - 28	3C13	BULB, OVERHEAD CONSOLE	90 - 38
4E13	BELT, SECONDARY COUNTERSHAFT DRIVE	140 - 34	3C11	BULB, R.H. CORNERPOST DISPLAY PANEL	90 - 36
4E17	BELT, SHOE, WALKER AND CONVEYOR AUGERS ...	140 - 38	2J18	BULB, REAR LAMP, ENGINE ACCESS PLATFORM ...	80 - 38
4E1	BELT, SINGLE RANGE CYLINDER DRIVE	140 - 20	2I19	BULB, SERVICE LIGHT, GULLWING DOOR, L.H.	80 - 14
4F5	BELT, STRAW CHOPPER	140 - 50	2J3	BULB, SERVICE LIGHT, GULLWING DOOR, R.H.	80 - 22
4K5	BELT, STRAW CHOPPER	170 - 32	2J5	BULB, SERVICE, REAR DOOR, R.H.	80 - 24
3H13	BELT, STRAW SPREADER	110 - 26	1I3	BULB, SIDE FINDER LIGHT	40 - 82
4B24	BELT, STRAW SPREADER	130 - 22	3C5	BULB, STEERING WHEEL CONTROL HOUSING	90 - 30
4K5	BELT, STRAW SPREADER	170 - 32	3B4	BULB, STUBBLE LAMP, CAB SUPPORT	90 - 2
1H5	BELT, TENSIONER ALTERNATOR	40 - 58	1I4	BULB, TRANSPORT LIGHTS	40 - 83
4H1	BELT, UNLOADING AUGER COUNTERSHAFT	150 - 38	1I2	BULB, TURN AND TAIL LIGHTS	40 - 81
4K5	BELT, UNLOADING AUGERS	170 - 32	1G17	BULB, UNLOADING AUGER LIGHT	40 - 44
4K7	BELT, UNLOADING SYSTEM	170 - 34	1C25	BUSHING, CAMSHAFT	25 - 18
3G5	BELT, UPPER DRIVE SHAFT, FEEDER HOUSE	100 - 64	1C11	BUSHING, CAMSHAFT, CYLINDER BLOCK	25 - 4
3F20	BELT, UPPER, VARIABLE DRIVE COUNTERSHAFT ...	100 - 54	4H24	BUSHING, MAIN FRAME PIVOT	160 - 4
3E5	BELT, VARIABLE SPEED DRIVE TIGHTENER	100 - 14	1D9	BYPASS TUBES, OIL COOLER	25 - 29
3D19	BELT, VARIABLE SPEED FEEDERHOUSE	100 - 2	1D11	BYPASS VALVE, OIL FILTER	25 - 32
4K5	BELT, VARIABLE SPEED FEEDERHOUSE	170 - 32			
2G10	BI-DIRECTIONAL MODULE, SOLENOID CONTROL VALVE, REEL LIFT AND CYLINDER SPEED	70 - 26			
4B11	BLADE, FINE CUT CHOPPER - PADDLED	130 - 8			

ALPHABETICAL INDEX - CONTINUED

GRID		PAGE	GRID		PAGE
	C				
3D6	CAB AIR FILTER AND HOUSING	95 - 6	3J15	CHAIN, ROLLER, LOWER TAILINGS AUGER	125 - 24
3B13	CAB DOOR AND GLASS	90 - 12	4F9	CHAIN, ROLLER, UPPER TAILINGS AUGER DRIVE	140 - 54
3B15	CAB DOOR LATCH	90 - 14	4K7	CHAIN, TAILINGS AUGER	170 - 34
3B11	CAB INTERIOR ROOF	90 - 10	3J14	CHAIN, TAILINGS ELEVATOR CONVEYOR	125 - 23
3B9	CAB INTERIOR TRIM PANELS	90 - 8	3J19	CHAIN, UPPER TAILINGS AUGER	125 - 28
3C20	CAB LANDING AND MIRROR (L.H.)	90 - 46	4G23	CHANNEL, CROSS AUGER	150 - 34
3C22	CAB LANDING AND MIRROR (R.H.)	90 - 48	4G1	CHARGE HOUSING, VERTICAL UNLOADING AUGER	150 - 12
1G3	CAB MAIN WIRING HARNESS	40 - 30	1E22	CHECK VALVE, AIR CLEANER	30 - 18
3B21	CAB OPERATOR'S SEAT AND ARMREST	90 - 20	2H22	CHECK VALVE, CHAFF SPREADER CONTROL	70 - 64
3B7	CAB REAR AND SIDE SEALS	90 - 6	3D4	CHECK VALVE, HEATING AND AIR CONDITIONER ...	95 - 4
1H23	CAB ROOF LIGHTS	40 - 77	2C16	CHECK VALVE, HYDROSTATIC PUMP	50 - 38
3B4	CAB SUPPORTS	90 - 2	2H3	CHECK VALVE, REEL DRIVE FLOW CONTROL	70 - 44
1H22	CABLE, BATTERY	40 - 76	4B20	CHOP-TO-DROP DECLUTCHING LEVER	130 - 18
4H18	CABLE, DATASTORE/COMPUTER	155 - 14	4B21	CHOPPER COVER AND BRACKETS, CHOP-TO-BALE	130 - 19
3C7	CABLE, FEEDER HOUSE REVERSE CONTROL	90 - 32	4B4	CHOPPER DOOR	130 - 1
2C12	CABLE, HYDROSTATIC DRIVE CONTROL	50 - 34	4F3	CHOPPER DRIVES (FRONT)	140 - 48
3G3	CABLE, LEVELING, FEEDER HOUSE, SIDEHILL	100 - 62	4B13	CHOPPER HOUSING AND KNIFEBANK	130 - 10
1F10	CABLE, WIRING	40 - 8	4B11	CHOPPER ROTOR, FINE CUT PADDLED BLADE	130 - 8
2D3	CAM, CARRIER, AND PISTON (STEERABLE MOTOR)	50 - 52	4B15	CHOPPER SENSOR	130 - 12
3D19	CAM, VARIABLE DRIVE SHEAVE, FRONT	100 - 2	4B15	CHOPPER TRANSPORT SPROCKETS	130 - 12
1C25	CAMSHAFT	25 - 18	4B9	CHOPPER, FINE CUT STRAIGHT BLADE	130 - 6
1C11	CAMSHAFT BUSHING, CYLINDER BLOCK	25 - 4	4B7	CHOPPER, TRI-ROD	130 - 4
1C25	CAMSHAFT FOLLOWER	25 - 18	4F24	CHUTE, GRAIN TANK CLEAN OUT	150 - 10
1D3	CAMSHAFT FOLLOWER	25 - 22	3C13	CIRCUIT BOARD, OVERHEAD CONSOLE	90 - 38
1C25	CAMSHAFT GEAR AND BUSHING	25 - 18	1G20	CIRCUIT BOARDS, CENTRAL ELECTRONICS MODULE	40 - 48
4F24	CAP, GRAIN TANK CLEAN OUT CHUTE	150 - 10	3D2	CIRCUIT BOX, HEATER AND AIR CONDITIONER	95 - 2
1C11	CAP, MAIN BEARING, CYLINDER BLOCK	25 - 4	1G22	CIRCUIT BREAKER	40 - 50
1B12	CAP, RADIATOR	20 - 10	3I21	CLEAN GRAIN CONVEYOR CHAIN	125 - 6
1D4	CAP, ROCKER ARM COVER	25 - 23	3J3	CLEAN GRAIN ELEVATOR GEARCASE	125 - 12
2D4	CAPS, YOKE AND PIVOTS (STEERABLE MOTOR) ...	50 - 54	3I17	CLEAN GRAIN ELEVATOR UPPER SHEAVE	125 - 2
2D3	CARRIER, PISTON, AND CAM (STEERABLE MOTOR)	50 - 52	3J17	CLEAN GRAIN ELEVATOR UPPER SPROCKET	125 - 2
2D23	CASE DRAIN, 4-WHEEL DRIVE, HYDRAULIC LINES	50 - 74	3J1	CLEAN GRAIN LOADING AUGER	125 - 10
4I11	CASE, GEAR, TRANSFER	160 - 18	3I23	CLEAN GRAIN LOADING AUGER HOUSING, UPPER	125 - 8
4F24	CASE, VERTICAL AUGER LOWER GEAR	150 - 10	3I19	CLEAN GRAIN LOWER AUGER AND HINGED DOOR	125 - 4
1G20	CENTRAL ELECTRONICS MODULE AND CIRCUIT BOARDS	40 - 48	3I21	CLEAN GRAIN LOWER ELEVATOR	125 - 6
2H22	CHAFF SPREADER CONTROL, CHECK VALVE, ROD AND KNOB	70 - 64	4F24	CLEAN OUT CHUTE, GRAIN TANK	150 - 10
4C3	CHAFF SPREADER DISC	130 - 26	1E22	CLEANER, AIR AND INTAKE TUBES	30 - 18
2H24	CHAFF SPREADER LINES AND FITTINGS	70 - 66	4E21	CLEANING FAN DRIVE, SEPARATOR	140 - 42
2I1	CHAFF SPREADER LINES, HOSES, VALVE AND PUMP	70 - 68	3H19	CLEANING FAN INTAKE SHIELDS	120 - 4
4C9	CHAFF SPREADER MOUNTING SUPPORT	130 - 32	3H19	CLEANING FANS AND SHROUDS	120 - 4
4C7	CHAFF SPREADER PAN AND SEALS	130 - 30	1I5	CLEANING SHOE INSPECTION LIGHT	40 - 84
2G24	CHAFF SPREADER PUMP	70 - 40	1H7	CLUTCH ASSEMBLY (STARTER)	40 - 60
4C5	CHAFF SPREADER SHIELDS AND HANDLES	130 - 28	3D13	CLUTCH, COMPRESSOR (REFRIGERANT)	95 - 13
2I3	CHAFF SPREADER, HOSES, LINES	70 - 70	4D23	CLUTCH, HEADER ELECTROMAGNETIC	140 - 16
3I3	CHAFFER ELEMENT	120 - 12	3F3	CLUTCH, SLIP, FEEDER HOUSE FRONT SHAFT	100 - 36
3I5	CHAFFER EXTENSION ELEMENT	120 - 14	3J15	CLUTCH, SLIP, LOWER TAILINGS AUGER	125 - 24
3I7	CHAFFER FRAME	120 - 16	4E17	CLUTCH, SLIP, STRAW WALKER AND CONVEYOR AUGER	140 - 38
3I1	CHAFFER FRAME ARMS, PRE-CLEANER	120 - 10	3C5	COLD WEATHER START BUTTON	90 - 30
3H23	CHAFFER FRAME, PRE-CLEANER	120 - 8	1E16	COLD WEATHER STARTING AID	30 - 12
3H21	CHAFFER, PRE-CLEANING	120 - 6	3C3	COLUMN, STEERING, LOWER	90 - 28
3F15	CHAIN IDLERS AND SHIELD BRACKETS, DRIVE (SIDEHILL)	100 - 48	3D15	COMPRESSOR PARTS (REFRIGERANT)	95 - 15
4F11	CHAIN TIGHTENER, UPPER TAILINGS DRIVE	140 - 56	3D12	COMPRESSOR, AIR CONDITION, HOSE	95 - 12
3I21	CHAIN, CONVEYOR, CLEAN GRAIN LOWER ELEVATOR	125 - 6	3D11	COMPRESSOR, AIR CONDITIONING, R134A	95 - 11
3F13	CHAIN, FEEDER CONVEYOR	100 - 46	3D13	COMPRESSOR, CLUTCH (REFRIGERANT)	95 - 13
3F7	CHAIN, FEEDER CONVEYOR IDLER SHAFT	100 - 40	1H13	CONCAVE ADJUSTING MOTOR	40 - 66
3C1	CHAIN, LINK, ARMREST CONTROL PANEL	90 - 26	3H1	CONCAVE ASSEMBLY AND BEATER GRATE	110 - 14
4G21	CHAIN, LINK, GRAIN TANK CROSS AUGERS	150 - 32	1H14	CONCAVE INDICATOR	40 - 68
			3F24	CONCAVE INDICATOR	100 - 58
			3H1	CONCAVE, SPIKE-TOOTH	110 - 14
			3H3	CONCAVE, SPIKE-TOOTH	110 - 16
			2F18	CONDENSER, AIR CONDITIONING AND OIL COOLER	70 - 8
			1C10	CONDITIONER, COOLANT	25 - 3

ALPHABETICAL INDEX - CONTINUED

GRID		PAGE	GRID		PAGE
1C17	CONNECTING RODS	25 - 10	1C19	CRANKSHAFT KIT, UNDERSIZE (CONNECTING ROD JOURNAL)	25 - 12
1F4	CONNECTORS, ELECTRICAL, WEATHERPACK	40 - 2	1C20	CRANKSHAFT KIT, UNDERSIZED MAIN BEARING.....	25 - 13
1C2	CONNECTORS, ENGINE HEATER HOSE.....	20 - 25	1E3	CRANKSHAFT PULLEY AND DAMPERS	25 - 50
1E10	CONNECTORS, FUEL INJECTION PUMP HOUSING ..	30 - 6	4G19	CROSS AUGER BEARING PLATE, L.H.	150 - 30
1F12	CONNECTORS, SUPPLEMENTARY TERMINALS	40 - 10	4G23	CROSS AUGER COVERS AND CHANNEL.....	150 - 34
3C13	CONSOLE, OVERHEAD	90 - 38	4G21	CROSS AUGERS, GRAIN TANK	150 - 32
2H17	CONTOUR MASTER HYDRAULIC HOSES, L.H SIDE ..	70 - 58	3H6	CURTAIN, BEATER GRATE	110 - 19
2G5	CONTOUR MASTER SOLENOID CONTROL RELIEF VALVE	70 - 20	4F20	CURTAIN, GRAIN TANK	150 - 6
2H20	CONTOUR MASTER TILT CYLINDER.....	70 - 61	3G20	CURTAIN, SEPARATOR, RASP BAR CYLINDER.....	110 - 9
2H21	CONTOUR MASTER TILT CYLINDER HOSES AND FITTINGS	70 - 62	4C1	CURTAIN, SPREADER	130 - 24
3E21	CONTOUR MASTER, FEEDER HOUSE SHELL, WEAR PLATES AND SEALS	100 - 30	3B17	CUSHION, SEAT	90 - 16
4D6	CONTROL ASSEMBLY, LEVELING (SIDEHILL).....	135 - 21	1C11	CYLINDER BLOCK FITTINGS	25 - 4
2C12	CONTROL CABLES, HYDROSTATIC DRIVE	50 - 34	3G12	CYLINDER COVER, THRESHING	110 - 1
3B24	CONTROL PANEL, OPERATOR'S ARMREST	90 - 24	3G17	CYLINDER DOOR (CORN)	110 - 6
3C1	CONTROL PANEL, OPERATOR'S ARMREST	90 - 26	3G15	CYLINDER DOOR (GRAIN AND RICE)	110 - 4
1E8	CONTROL UNIT, ELECTRONIC.....	30 - 4	4E11	CYLINDER DRIVE ADJUSTING BRACKET, DUAL-RANGE	140 - 32
1G24	CONTROL UNIT, ELECTRONIC (ECU)	40 - 52	4E2	CYLINDER DRIVE GEARCASE, DUAL-RANGE	140 - 22
2F23	CONTROL VALVE MODULE, SIX STACK SOLENOID..	70 - 14	4E7	CYLINDER DRIVE INTERMEDIATE SHAFT MOUNTING, DUAL-RANGE	140 - 28
2D7	CONTROL VALVE, CAM LOBE MOTOR.....	50 - 58	4E9	CYLINDER DRIVE INTERMEDIATE SHEAVE, DUAL-RANGE	140 - 30
2C19	CONTROL VALVE, HYDROSTATIC DRIVE DISPLACEMENT	50 - 42	4E5	CYLINDER DRIVE TIGHTENER, DUAL-RANGE	140 - 26
2G12	CONTROL VALVE, SOLENOID, AUGER SWING	70 - 28	4E1	CYLINDER DRIVE, SINGLE RANGE	140 - 20
1E8	CONTROLLER, ENGINE	30 - 4	1D1	CYLINDER HEAD AND BOLT KIT	25 - 20
1F13	CONVENIENCE OUTLET KIT.....	40 - 12	1E1	CYLINDER HEAD GASKET KIT	25 - 48
4E17	CONVEYOR AUGERS, STRAW WALKER, SIEVE AND CHAFFER DRIVE	140 - 38	1C17	CYLINDER LINERS	25 - 10
3I21	CONVEYOR CHAIN, CLEAN GRAIN	125 - 6	4C17	CYLINDER PINS, LEVELING, SIDEHILL (SIDEHILL).....	135 - 8
3F13	CONVEYOR, FEEDER DRIVE CHAIN	100 - 46	3G19	CYLINDER SHEAR BAR	110 - 8
1C10	COOLANT CONDITIONER, ENGINE	25 - 3	2G10	CYLINDER SPEED AND REEL LIFT, SOLENOID CONTROL VALVE.....	70 - 26
1B20	COOLANT HEATER, ENGINE BLOCK.....	20 - 18	2G22	CYLINDER SPEED HYDRAULIC LINES AND HOSES ..	70 - 38
1B12	COOLANT RECOVERY TANK (RADIATOR)	20 - 10	2E10	CYLINDER, BRAKE SLAVE	60 - 10
1C10	COOLANT SCAN TEST KIT	25 - 3	2E8	CYLINDER, BRAKE, MASTER	60 - 8
1D10	COOLER, ENGINE OIL	25 - 30	4G24	CYLINDER, DRIVE, GRAIN TANK UNLOADING.....	150 - 36
3D21	COOLER, OIL, FEEDER HOUSE GEARCASE	100 - 4	2I19	CYLINDER, GAS, GULLWING DOOR, L.H.....	80 - 14
4B17	CORN DEFLECTOR	130 - 14	2G13	CYLINDER, HEADER LIFT, HYDRAULIC	70 - 29
2I23	CORNER PANEL, REAR, L H	80 - 18	4G3	CYLINDER, HYDRAULIC, UNLOADING AUGER SWING, LINES AND HOSES	150 - 14
3C11	CORNERPOST DISPLAY PANEL, R.H.....	90 - 36	4D2	CYLINDER, LEVELING	135 - 17
4E13	COUNTERSHAFT DRIVE, SECONDARY.....	140 - 34	4D1	CYLINDER, LEVELING, SIDEHILL	135 - 16
4H1	COUNTERSHAFT DRIVE, UNLOADING AUGER	150 - 38	2E4	CYLINDER, MASTER, BRAKE	60 - 4
4D21	COUNTERSHAFT GEARCASE, PRIMARY	140 - 14	2F1	CYLINDER, STEERING.....	60 - 26
1B17	COUPLING WITH HUB, ENGINE-TRANSMISSION.....	20 - 15	4I21	CYLINDER, TENSION INDIVIDUAL REPAIR PARTS.....	160 - 28
2B10	COUPLINGS, AXLE	50 - 6	4I5	CYLINDER, TENSION AND ATTACHING HARDWARE	160 - 10
4G23	COVER AND CHANNEL, CROSS AUGER	150 - 34	3G21	CYLINDER, THRESHING, RASP BAR	110 - 10
4B21	COVER, CHOPPER, CHOP-TO-BALE	130 - 19	3G23	CYLINDER, THRESHING, SPIKE TOOTH.....	110 - 12
1E20	COVER, ENGINE.....	30 - 16	2H20	CYLINDER, TILT, CONTOUR MASTER.....	70 - 61
1H5	COVER, FUEL INJECTION PUMP ACCESS.....	40 - 58	2H21	CYLINDER, TILT, HOSES AND FITTINGS, CONTOUR MASTER.....	70 - 62
2C14	COVER, HYDROSTATIC PUMP	50 - 36	4G5	CYLINDER, UNLOADING AUGER SWING	150 - 16
2D1	COVER, INNER	50 - 50	4D24	CYLINDER, VARIABLE SHEAVE COUNTER DRIVE SHAFT	140 - 18
3J13	COVER, MATERIAL SENSOR TAILING ELEVATOR	125 - 22			
4H12	COVER, MOISTURE SENSOR, YIELD MAPPING	155 - 8		D	
1D10	COVER, OIL COOLER	25 - 30	1C18	DAMPER KEY, CRANKSHAFT	25 - 11
4H6	COVER, POSITION RECEIVER YIELD MAPPING	155 - 2	1E3	DAMPER, CRANKSHAFT	25 - 50
1D4	COVER, ROCKER ARM	25 - 23	4H18	DATASTORE	155 - 14
1D18	COVER, THERMOSTAT	25 - 40	4H16	DATASTORE MODULE	155 - 12
3G12	COVER, THRESHING CYLINDER	110 - 1	4H18	DATASTORE MODULE	155 - 14
1C24	COVER, TIMING GEAR.....	25 - 17	4H16	DATASTORE WITH DISPLAY.....	155 - 12
4H14	COVER, WITH MOISTURE SENSOR.....	155 - 10	4H19	DECALS, DISPLAY, YIELD MONITOR.....	155 - 15
4H14	COVER, WITHOUT MOISTURE SENSOR	155 - 10			
1B22	CRANKCASE, ENGINE, OIL DRAIN.....	20 - 20			
3H13	CRANKS, STRAW WALKER AND SPREADER DRIVE	110 - 26			
1C18	CRANKSHAFT	25 - 11			

ALPHABETICAL INDEX - CONTINUED

GRID		PAGE	GRID		PAGE
4J19	DECALS, FRENCH CANADIAN	170 - 22	2C21	DRAIN PLUG, HYDROSTATIC DRIVE MOTOR	50 - 44
4J17	DECALS, FRONT AND REAR TIRE.....	170 - 20	2C23	DRAIN PLUG, HYDROSTATIC MOTOR VALVE	50 - 46
4H19	DECALS, MOISTURE SENSOR, YIELD MONITOR	155 - 15	1B24	DRAIN PLUG, INTERCOOLER	20 - 22
4J20	DECALS, PORTUGUESE	170 - 23	4D13	DRAIN PLUG, MAIN GEARCASE.....	140 - 6
4J21	DECALS, ROMANIAN	170 - 24	2G5	DRAIN PLUG, RELIEF VALVE	70 - 20
4J22	DECALS, RUSSIAN	170 - 25	1D18	DRAIN VALVE, CYLINDER HEAD	25 - 40
4J15	DECALS, SAFETY (RUBBER TRACK).....	170 - 18	1E13	DRAIN VALVE, FUEL COOLER	30 - 9
4I23	DECALS, SAFETY AND LOCATIONS	170 - 2	1E18	DRAIN VALVE, FUEL TANK.....	30 - 14
4J1	DECALS, SAFETY AND LOCATIONS	170 - 4	1D13	DRAIN VALVE, OIL PAN.....	25 - 34
4J3	DECALS, SAFETY AND LOCATIONS	170 - 6	4H3	DRIVE BELT GUIDE, UNLOADING AUGER	150 - 40
4J5	DECALS, SAFETY AND LOCATIONS	170 - 8	3F15	DRIVE CHAIN IDLERS AND SHIELD BRACKETS (SIDEHILL).....	100 - 48
4J7	DECALS, SAFETY AND LOCATIONS	170 - 10	4F11	DRIVE CHAIN TIGHTENER, UPPER TAILINGS	140 - 56
4J23	DECALS, SPANISH	170 - 26	3F13	DRIVE CHAIN, FEEDER CONVEYOR	100 - 46
4J24	DECALS, UKRAINIAN	170 - 27	2C12	DRIVE CONTROL CABLES, HYDROSTATIC	50 - 34
4H19	DECALS, YIELD MONITOR	155 - 15	1C18	DRIVE GEAR, OIL PUMP, CRANKSHAFT.....	25 - 11
4B20	DECLUTCHING LEVER, CHOP-TO-DROP	130 - 18	4F12	DRIVE IDLER, CLEAN GRAIN ELEVATOR	140 - 58
4H10	DEFLECTOR DOOR, MASS FLOW SENSOR YIELD MAPPING	155 - 6	2B9	DRIVE SHAFT	50 - 5
4B17	DEFLECTOR, CORN	130 - 14	3G7	DRIVE SHAFT (FIXED SPEED WITH REVERSER)	100 - 66
3G15	DEFLECTOR, CYLINDER DOOR (GRAIN AND RICE).....	110 - 4	3G5	DRIVE SHAFT, FEEDER HOUSE, UPPER (FIXED SPEED WITH REVERSER).....	100 - 64
2B23	DIFFERENTIAL GEARS AND SHAFTS	50 - 20	2C4	DRIVE SHAFT, FINAL (SIDEHILL)	50 - 26
2C1	DIFFERENTIAL GEARS AND SHAFTS (SIDEHILL)	50 - 22	4D19	DRIVE SHAFT, GEARCASE AND PRIMARY COUNTERSHAFT	140 - 12
1C11	DIPSTICK TUBE, CYLINDER BLOCK	25 - 4	3G9	DRIVE SHAFT, HEADER, SIDEHILL	100 - 68
4D19	DIPSTICK, COUNTERSHAFT GEARCASE	140 - 12	2C18	DRIVE SHAFT, HYDROSTATIC CHARGE PUMP	50 - 40
1D15	DIPSTICK, ENGINE OIL	25 - 36	2B10	DRIVE SHAFTS	50 - 6
4D17	DIPSTICK, MAIN GEARCASE.....	140 - 10	3E13	DRIVE SHIELD, FEEDHOUSE, L.H. WITH AIRFLOW	100 - 22
3D23	DIPSTICK, REVERSER GEAR BOX, HIGH CAPACITY	100 - 6	3E11	DRIVE SHIELD, FEEDHOUSE, L.H. WITHOUT AIRFLOW.....	100 - 20
4C3	DISC, CHAFF SPREADER	130 - 26	2J7	DRIVE SHIELD, R.H. REAR	80 - 26
2C19	DISPLACEMENT CONTROL VALVE, HYDROSTATIC DRIVE	50 - 42	3E15	DRIVE SHIELD, R.H., FEEDER HOUSE	100 - 24
4H8	DISPLAY BRACKET, YIELD MAPPING	155 - 4	3E9	DRIVE SHIELDS, SAFETY STOP, FEEDER HOUSE (SIDEHILL).....	100 - 18
4H19	DISPLAY DECALS, YIELD MONITOR	155 - 15	4F7	DRIVE SHIELDS, STRAW CHOPPER	140 - 52
3C11	DISPLAY PANEL, R.H. CORNERPOST	90 - 36	2C7	DRIVE SUPPORT SHIELD, FINAL (SIDEHILL)	50 - 29
4H16	DISPLAY WITH DATASTORE.....	155 - 12	4F12	DRIVE TIGHTENER, CLEAN GRAIN ELEVATOR	140 - 58
4H8	DISPLAY, YIELD MAPPING	155 - 4	3E7	DRIVE TIGHTENER, FEEDER HOUSE	100 - 16
4D3	DIVIDER MOUNTING, FLOW (SIDEHILL)	135 - 18	3E3	DRIVE TIGHTENER, FIXED SPEED FEEDER HOUSE.....	100 - 12
4D3	DIVIDER VALVE, FLOW (SIDEHILL)	135 - 18	3E5	DRIVE TIGHTENER, VARIABLE SPEED	100 - 14
3B15	DOOR LATCH, CAB	90 - 14	4I13	DRIVE TRANSFER, FINAL, SINGLE REDUCTION	160 - 20
3B13	DOOR, CAB	90 - 12	4I17	DRIVE WHEEL AND BELT	160 - 24
4B4	DOOR, CHOPPER	130 - 1	2B11	DRIVE WHEELS	50 - 7
3I19	DOOR, CLEAN GRAIN LOWER AUGER	125 - 4	2B12	DRIVE WHEELS, HIGH FLOATATION.....	50 - 8
2I17	DOOR, CORNER PANEL, L.H., FRONT	80 - 12	4E19	DRIVE, BEATER AND TIGHTENER.....	140 - 40
3G17	DOOR, CYLINDER (CORN)	110 - 6	2H1	DRIVE, BELT PICKUP / REEL PUMP MOUNTING SHEAVE	70 - 42
3G15	DOOR, CYLINDER (GRAIN AND RICE)	110 - 4	4F3	DRIVE, CHOPPER (FRONT).....	140 - 48
2J18	DOOR, ENGINE ACCESS PLATFORM	80 - 38	4H1	DRIVE, COUNTERSHAFT, UNLOADING AUGER	150 - 38
2J14	DOOR, ENGINE COMPARTMENT	80 - 34	1C3	DRIVE, ENGINE.....	20 - 26
1E20	DOOR, ENGINE PLATFORM	30 - 16	1B14	DRIVE, ENGINE FAN	20 - 12
3E17	DOOR, FEEDER HOUSE FRAME	100 - 26	4F1	DRIVE, FAN, SPEED CONTROL SHEAVE LINKAGE....	140 - 46
4F16	DOOR, GRAIN TANK TOP	150 - 2	2C3	DRIVE, FINAL DRIVE SHAFT.....	50 - 24
2I21	DOOR, GULLWING, LEFT REAR.....	80 - 16	4E15	DRIVE, GEARCASE, STRAW WALKER.....	140 - 36
4G7	DOOR, HORIZONTAL UNLOADING AUGER.....	150 - 18	2C21	DRIVE, HYDROSTATIC MOTOR, FIXED.....	50 - 44
4G13	DOOR, HORIZONTAL UNLOADING AUGER HOUSING	150 - 24	2D11	DRIVE, HYDROSTATIC OIL HOSE, UPPER	50 - 62
4G15	DOOR, HORIZONTAL UNLOADING AUGER HOUSING (EXPORT)	150 - 26	2D9	DRIVE, HYDROSTATIC, LOWER OIL LINES (2-WHEEL DRIVE).....	50 - 60
2I19	DOOR, L.H. GULLWING	80 - 14	2D17	DRIVE, HYDROSTATIC, LOWER OIL LINES (4-WHEEL DRIVE).....	50 - 68
4H10	DOOR, MASS FLOW SENSOR DEFLECTOR YIELD MAPPING	155 - 6	2H3	DRIVE, REEL, FLOW CONTROL VALVE	70 - 44
2J3	DOOR, R.H. GULLWING	80 - 22	2H7	DRIVE, REEL, HYDRAULIC LINES AND HOSES, L.H. SIDE	70 - 48
2J5	DOOR, R.H., REAR	80 - 24	2H9	DRIVE, REEL, HYDRAULIC, FRONT LINES AND HOSES	70 - 50
1B10	DOOR, RADIATOR SHELL	20 - 8			
1B6	DOOR, ROTARY SCREEN	20 - 4			
3G13	DOOR, STONE TRAP, FEEDER HOUSE	110 - 2			
3J11	DOOR, TAILINGS, ELEVATOR HOUSING.....	125 - 20			
2E8	DRAIN PLUG, BRAKE MASTER CYLINDER.....	60 - 8			
1C11	DRAIN PLUG, CYLINDER BLOCK	25 - 4			

ALPHABETICAL INDEX - CONTINUED

GRID		PAGE	GRID		PAGE
1C4	DRIVE, ROTARY SCREEN	20 - 27	1D10	ENGINE OIL COOLER	25 - 30
1C5	DRIVE, ROTARY SCREEN	20 - 28	1D15	ENGINE OIL DIPSTICK AND TUBE	25 - 36
4E13	DRIVE, SECONDARY COUNTERSHAFT	140 - 34	1D11	ENGINE OIL FILTER	25 - 32
4F5	DRIVE, STRAW CHOPPER (REAR).....	140 - 50	1D6	ENGINE OIL PUMP	25 - 26
4I15	DRUM AND SHOES, BRAKE	160 - 22	1D8	ENGINE OIL PUMP INTAKE.....	25 - 28
2E12	DRUM, BRAKE.....	60 - 12	1C15	ENGINE OVERHAUL KIT	25 - 8
3F7	DRUM, FEEDER CONVEYOR IDLER SHAFT	100 - 40	1E20	ENGINE PLATFORM	30 - 16
4E4	DUAL RANGE LOCKOUT ARM	140 - 24	1E1	ENGINE REBUILD GASKET KIT	25 - 48
4E11	DUAL-RANGE CYLINDER DRIVE ADJUSTING BRACKET.....	140 - 32	1C13	ENGINE SHORT BLOCK.....	25 - 6
4E2	DUAL-RANGE CYLINDER DRIVE GEARCASE	140 - 22	1H20	ENGINE SPEED SENSOR	40 - 74
4E7	DUAL-RANGE CYLINDER DRIVE INTERMEDIATE SHAFT MOUNTING.....	140 - 28	1F15	ENGINE WIRING HARNESS.....	40 - 14
4E9	DUAL-RANGE CYLINDER DRIVE INTERMEDIATE SHEAVE.....	140 - 30	1B17	ENGINE, TRANSMISSION COUPLING WITH HUB.....	20 - 15
4E5	DUAL-RANGE CYLINDER DRIVE TIGHTENER	140 - 26	3C5	ETHER START BUTTON	90 - 30
3D7	DUCTS, HEATER AND AIR CONDITIONING	95 - 7	1E17	ETHER STARTING FITTINGS	30 - 13
2B13	DUEL WHEELS, WIDE SPACED	50 - 9	3D10	EVAPORATOR HEATER, AIR CONDITIONER	95 - 10
3F9	DUST FAN, FEEDER HOUSE	100 - 42	1D24	EXHAUST MANIFOLD HEAT SHIELD	25 - 46
3G1	DUST FAN, L.H. SIDE FEEDER HOUSE.....	100 - 60	1D24	EXHAUST MANIFOLDS AND GASKETS	25 - 46
4F18	DUST SHIELD, GRAIN TANK BASE	150 - 4	1E24	EXHAUST PIPE AND MUFFLER	30 - 20
			1D1	EXHAUST VALVE SHIELD	25 - 20
			1D1	EXHAUST VALVES	25 - 20
			1B20	EXTENSION CORD, ENGINE BLOCK COOLANT HEATER.....	20 - 18
			3I5	EXTENSION ELEMENT, CHAFFER	120 - 14
			4F22	EXTENSIONS, GRAIN TANK	150 - 8
	E				
1E8	ECU	30 - 4			
1G24	ECU, ELECTRONIC CONTROL UNIT	40 - 52		F	
1B20	ELECTRICAL CORD, COOLANT HEATER	20 - 18	4E23	FAN DRIVE SPEED CONTROL LINKAGE.....	140 - 44
2D7	ELECTRICAL CONNECTION, CONTROL VALVE	50 - 58	4F1	FAN DRIVE SPEED CONTROL SHEAVE LINKAGE.....	140 - 46
1F6	ELECTRICAL CONNECTOR SERVICE KIT	40 - 4	4E21	FAN DRIVE, CLEANING, SEPARATOR	140 - 42
1F8	ELECTRICAL CONNECTOR SERVICE KIT	40 - 6	1B16	FAN DRIVE, FIXED (RADIATOR).....	20 - 14
1F13	ELECTRICAL CONVENIENCE OUTLET	40 - 12	1B16	FAN PULLEY HUB (RADIATOR)	20 - 14
1F4	ELECTRICAL TERMINALS AND CONNECTORS, WEATHERPACK	40 - 2	1B19	FAN PULLEY, AIR CONDITIONER COMPRESSOR	20 - 17
1F12	ELECTRICAL TERMINALS WITH LEAD WIRES	40 - 10	3D4	FAN, BLOWER, HEATER AND AIR CONDITIONER.....	95 - 4
1G3	ELECTRICAL WIRING, CAB	40 - 30	3H19	FAN, CLEANING	120 - 4
1F15	ELECTRICAL, ENGINE SYSTEM	40 - 14	3F9	FAN, DUST, FEEDER HOUSE	100 - 42
4D23	ELECTROMAGNETIC HEADER CLUTCH	140 - 16	3G1	FAN, DUST, L.H. SIDE FEEDER HOUSE	100 - 60
1E8	ELECTRONIC CONTROL UNIT	30 - 4	1B14	FAN, ENGINE.....	20 - 12
1G24	ELECTRONIC CONTROL UNIT (ECU).....	40 - 52	3D2	FAN, HEATER AND AIR CONDITIONER.....	95 - 2
1E8	ELECTRONIC FUEL INJECTION PUMP	30 - 4	3F9	FEEDER CONVEYOR DRIVE CHAIN & TIGHTENER ..	100 - 42
1G20	ELECTRONICS MODULE, CENTRAL AND CIRCUIT BOARDS	40 - 48	3F11	FEEDER CONVEYOR DRIVE CHAIN, TIGHTENER AND GUIDES (SIDEHILL).....	100 - 44
3I3	ELEMENT, CHAFFER	120 - 12	3F7	FEEDER CONVEYOR IDLER SHAFT, DRUM AND CHAIN	100 - 40
3I5	ELEMENT, CHAFFER EXTENSION	120 - 14	1H9	FEEDER HOUSE BACKSHAFT SPEED SENSOR	40 - 62
3I9	ELEMENT, SIEVE	120 - 18	3E9	FEEDER HOUSE DRIVE SHIELDS AND SAFETY STOP (SIDEHILL)	100 - 18
4F12	ELEVATOR DRIVE IDLER, CLEAN GRAIN	140 - 58	3E7	FEEDER HOUSE DRIVE TIGHTENER.....	100 - 16
4F12	ELEVATOR DRIVE TIGHTENER, CLEAN GRAIN.....	140 - 58	3E3	FEEDER HOUSE DRIVE TIGHTENER (FIXED SPEED)	100 - 12
3I21	ELEVATOR, LOWER, CLEAN GRAIN	125 - 6	3G1	FEEDER HOUSE DUST FAN, L.H. SIDE.....	100 - 60
3J11	ELEVATOR, TAILINGS ELEVATOR	125 - 20	3F5	FEEDER HOUSE FLOOR	100 - 38
3J11	ELEVATOR, TAILINGS HOUSING	125 - 20	3E17	FEEDER HOUSE FRAME	100 - 26
2J14	ENGINE COMPARTMENT.....	80 - 34	3E19	FEEDER HOUSE FRAME, SIDEHILL.....	100 - 28
1E8	ENGINE CONTROLLER	30 - 4	3G7	FEEDER HOUSE FRONT DRIVE SHAFT, SHEAVE (FIXED SPEED WITH REVERSER).....	100 - 66
1G24	ENGINE CONTROLLER (ECU).....	40 - 52	3D21	FEEDER HOUSE GEARCASE OIL COOLER	100 - 4
1C3	ENGINE DRIVE	20 - 26	3G3	FEEDER HOUSE LEVELING CABLES, SHEAVES AND BRACKETS, SIDEHILL (UPPER REAR).....	100 - 62
1B14	ENGINE FAN AND DRIVES	20 - 12	3F17	FEEDER HOUSE LOWER SHAFT, PADDLES AND SPROCKET (SIDEHILL)	100 - 50
1C23	ENGINE FLYWHEEL	25 - 16	3E23	FEEDER HOUSE OUTER CLOSURE FRAME (SIDEHILL).....	100 - 32
1B17	ENGINE GEARCASE COUPLING WITH HUB.....	20 - 15	3F24	FEEDER HOUSE POSITION SENSOR	100 - 58
4D9	ENGINE GEARCASE OIL FILTER ASSEMBLY	140 - 2	3C7	FEEDER HOUSE REVERSER FOOT CONTROL	90 - 32
4D11	ENGINE GEARCASE PRESSURE REGULATOR	140 - 4	3E21	FEEDER HOUSE SHELL, CONTOUR MASTER	100 - 30
4D17	ENGINE GEARCASE, SEPARATOR AND PUMP DRIVE	140 - 10			
4D15	ENGINE GEARCASE, SEPARATOR DRIVE WET- CLUTCH AND PUMP DRIVE SHAFT	140 - 8			
1B24	ENGINE INTERCOOLER.....	20 - 22			
1C1	ENGINE MOUNTS AND REAR SUPPORT	20 - 24			
1C9	ENGINE OIL (TORQ-GARD PLUS-50).....	25 - 2			

ALPHABETICAL INDEX - CONTINUED

GRID		PAGE	GRID		PAGE
3F1	FEEDER HOUSE SLIP CLUTCH	100 - 34	4H22	FRAME MOUNTING, TRACK	160 - 2
3G5	FEEDER HOUSE UPPER DRIVE SHAFT, SHEAVE (FIXED SPEED WITH REVERSER)	100 - 64	3I7	FRAME, CHAFFER	120 - 16
3F1	FEEDER HOUSE UPPER SHAFT	100 - 34	3E17	FRAME, FEEDER HOUSE	100 - 26
3F19	FEEDER HOUSE VARIABLE DRIVE HYDRAULIC HOSE	100 - 52	3E21	FRAME, FEEDER HOUSE, CONTOUR MASTER	100 - 30
3E21	FEEDER HOUSE WEAR PLATES, CONTOUR MASTER	100 - 30	3E19	FRAME, FEEDER HOUSE, SIDEHILL	100 - 28
3G13	FEEDER HOUSE/SEPARATOR SEAL, STONE TRAP AND DOOR	110 - 2	4H24	FRAME, MAIN, PIVOT BUSHINGS	160 - 4
3F20	FEEDER HOUSE, UPPER COUNTERSHAFT VARIABLE DRIVE	100 - 54	3E23	FRAME, OUTER CLOSURE, FEEDER HOUSE (SIDEHILL)	100 - 32
3E11	FEEDHOUSE DRIVE SHIELD, LH WITHOUT AIRFLOW	100 - 20	2I7	FRAME, SEPARATOR	80 - 2
3H1	FILLER STRIPS, CONCAVE	110 - 14	4H22	FRAME, SHIPPING	160 - 2
1E22	FILTER, AIR AND INTAKE TUBES	30 - 18	3I11	FRAME, SIEVE	120 - 20
3D4	FILTER, AIR, RECIRCULATION	95 - 4	4J19	FRENCH CANADIAN DECALS AND LABELS	170 - 22
3D6	FILTER, CAB AIR	95 - 6	4I1	FRONT ARM AND ADJUSTABLE IDLER ASSEMBLY ..	160 - 6
1D11	FILTER, ENGINE OIL	25 - 32	2B6	FRONT AXLE (SIDEHILL)	50 - 2
3D10	FILTER, EVAPORATOR HEATER	95 - 10	1C24	FRONT OIL SEAL, TIMING GEAR	25 - 17
1E14	FILTER, FUEL	30 - 10	3F3	FRONT SHAFT SLIP CLUTCH, FEEDER HOUSE (SIDEHILL)	100 - 36
1E18	FILTER, FUEL TANK	30 - 14	2I13	FRONT SHIELD ASSEMBLY, RIGHT SIDE	80 - 8
2H19	FILTER, MAIN HYDRAULIC	70 - 60	1E14	FUEL CHECK VALVE	30 - 10
4D9	FILTER, OIL, ENGINE GEARCASE	140 - 2	1E13	FUEL COOLER	30 - 9
1C24	FILTER, WATER PUMP (WEEP HOLE)	25 - 17	1E14	FUEL FILTER AND LINES	30 - 10
1G11	FILTER, WINDSHIELD WASHER	40 - 38	1E18	FUEL GUAGE	30 - 14
2C10	FINAL DRIVE HOUSING AND BEARING CAP (SIDEHILL)	50 - 32	1E6	FUEL INJECTION LINES AND NOZZLES	30 - 2
2C6	FINAL DRIVE INNER CASTING AND PIVOT TUBE (SIDEHILL)	50 - 28	1E12	FUEL INJECTION NOZZLE	30 - 8
4I13	FINAL DRIVE MOUNTING, SINGLE REDUCTION	160 - 20	1E8	FUEL INJECTION PUMP	30 - 4
2C8	FINAL DRIVE PINION, SHAFTS AND BEARINGS	50 - 30	1E10	FUEL INJECTION PUMP HOUSING CONNECTORS ...	30 - 6
2D24	FINAL DRIVE SHAFT SHIELDS - SINGLE REDUCTION (RICE ONLY)	50 - 75	1E6	FUEL LEAK-OFF LINES	30 - 2
2C4	FINAL DRIVE SHAFTS (SIDEHILL)	50 - 26	1E8	FUEL LEAK-OFF LINES (FUEL PUMP)	30 - 4
2C7	FINAL DRIVE SUPPORT SHIELD (SIDEHILL)	50 - 29	1E8	FUEL PUMP	30 - 4
1I3	FINDER, SIDE LIGHT	40 - 82	1E18	FUEL SENDER	30 - 14
4B9	FINE CUT ROTOR CHOPPER (STRAIGHT BLADE) ...	130 - 6	1E8	FUEL SHUT-OFF SOLENOID	30 - 4
3H5	FINGER GRATE, SPIKE-TOOTH	110 - 18	1E18	FUEL TANK GAUGE	30 - 14
3F9	FINGER, FEEDER HOUSE DUST FAN	100 - 42	2J16	FUEL TANK STEPS	80 - 36
3G1	FINGER, FEEDER HOUSE DUST PAN, L.H.	100 - 60	1E18	FUEL TANK, SUPPORTS, AND FITTINGS	30 - 14
3H23	FINGER, PRECLEANER CHAFFER	120 - 8	1E11	FUEL TRANSFER PUMP	30 - 7
3I5	FINGERS, PLASTIC, CHAFFER	120 - 14	1E11	FUEL TRANSFER PUMP HAND PRIMER	30 - 7
2H24	FITTINGS, CHAFF SPREADER	70 - 66	G		
1C11	FITTINGS, CYLINDER BLOCK	25 - 4	1E1	GASKET KIT, CYLINDER HEAD	25 - 48
1E17	FITTINGS, ETHER STARTING	30 - 13	1E1	GASKET KIT, ENGINE REBUILD	25 - 48
1E18	FITTINGS, FUEL TANK	30 - 14	1E1	GASKET KIT, SHORT BLOCK	25 - 48
2H21	FITTINGS, TILT CYLINDER, CONTOUR MASTER	70 - 62	1D1	GASKET, CYLINDER HEAD	25 - 20
2B7	FIXED REAR AXLE	50 - 3	1D24	GASKET, EXHAUST MANIFOLD	25 - 46
2F6	FIXED REAR AXLE STEERING TIE RODS	60 - 32	1D20	GASKET, INTAKE MANIFOLD	25 - 42
3E3	FIXED SPEED FEEDER HOUSE DRIVE TIGHTENER ..	100 - 12	1D11	GASKET, OIL FILTER HOUSING	25 - 32
2I23	FLOODLAMP, LEFT REAR CORNER PANEL	80 - 18	1D13	GASKET, OIL PAN	25 - 34
3B9	FLOOR MAT	90 - 8	1D8	GASKET, OIL PUMP INTAKE, ENGINE	25 - 28
3B7	FLOOR PANELS, CAB	90 - 6	1D6	GASKET, OIL PUMP, ENGINE	25 - 26
3F5	FLOOR, FEEDER HOUSE	100 - 38	1C22	GASKET, REAR CRANKSHAFT OIL SEAL	25 - 15
2H3	FLOW CONTROL VALVE, REEL DRIVE	70 - 44	1D4	GASKET, ROCKER ARM COVER	25 - 23
4D3	FLOW DIVIDER VALVE AND MOUNTING (SIDEHILL)	135 - 18	1D18	GASKET, THERMOSTAT	25 - 40
4C11	FLOW DIVIDER, LEVELING SYSYEM (SIDEHILL)	135 - 2	1C24	GASKET, TIMING GEAR COVER	25 - 17
4H10	FLOW SENSOR, MASS, YIELD MAPPING	155 - 6	1D22	GASKET, TURBOCHARGER	25 - 44
1C23	FLYWHEEL	25 - 16	1D18	GASKET, WATER MANIFOLD	25 - 40
1C25	FOLLOWER, CAMSHAFT	25 - 18	1D16	GASKET, WATER PUMP	25 - 38
1D3	FOLLOWER, ROCKER ARM	25 - 22	2G20	GAUGE, PRESSURE, ACCUMULATOR	70 - 36
3C7	FOOT PEDAL, FEEDER HOUSE REVERSER	90 - 32	2C1	GEAR AND SHAFTS, DIFFERENTIAL (SIDEHILL)	50 - 22
2D19	FOUR WHEEL DRIVE HYDRAULIC LINES AND HOSES, L.H.	50 - 70	3E1	GEAR BOX, REVERSER (STANDARD)	100 - 10
2I7	FRAME	80 - 2	3D23	GEAR BOX, REVERSER, HIGH CAPACITY	100 - 6
			3D25	GEAR BOX, REVERSER, HIGH CAPACITY	100 - 8
			1C25	GEAR, CAMSHAFT	25 - 18
			2B23	GEAR, DIFFERENTIAL	50 - 20
			2C8	GEAR, FINAL DRIVE, SINGLE REDUCTION	50 - 30
			1E8	GEAR, INJECTION PUMP	30 - 4

ALPHABETICAL INDEX - CONTINUED

<i>GRID</i>		<i>PAGE</i>	<i>GRID</i>		<i>PAGE</i>
1C18	GEAR, OIL PUMP DRIVE, CRANKSHAFT.....	25 - 11	2I19	HANDLE, GULLWING DOOR, L.H.....	80 - 14
1D6	GEAR, OIL PUMP, ENGINE	25 - 26	3B24	HANDLE, HYDROSTATIC CONTROL	90 - 24
3H17	GEAR, SHOE GRAIN AUGER	120 - 2	2I9	HANDLE, LEFT SIDE FRONT SHIELD	80 - 4
4B24	GEAR, STRAW SPREADER	130 - 22	2I15	HANDLE, RIGHT SIDE SHIELD	80 - 10
2B19	GEAR, TRANSMISSION	50 - 16	3H16	HANDLE, SHOE GRAIN AUGER CLEANOUT DOOR....	120 - 1
4E15	GEARCASE DRIVE, STRAW WALKER	140 - 36	3I9	HANDLE, SIEVE ELEMENT	120 - 18
3J3	GEARCASE, CLEAN GRAIN ELEVATOR	125 - 12	2J14	HANDRAIL, ENGINE COMPARTMENT	80 - 34
4D19	GEARCASE, DRIVE SHAFT AND PRIMARY COUNTERSHAFT	140 - 12	3C20	HANDRAIL, L.H.....	90 - 46
4E2	GEARCASE, DUAL-RANGE CYLINDER DRIVE	140 - 22	3C22	HANDRAIL, R.H.	90 - 48
4D15	GEARCASE, ENGINE	140 - 8	2J5	HANDRAIL, REAR DOOR, R.H.	80 - 24
4D17	GEARCASE, ENGINE	140 - 10	3C17	HANDRAILS	90 - 42
3D25	GEARCASE, HIGH CAPACITY	100 - 8	3C24	HARDWARE KIT, CAB	90 - 50
4G12	GEARCASE, HORIZONTAL UNLOADING AUGER DRIVE	150 - 23	4H16	HARNES, DATASTORE	155 - 12
4D13	GEARCASE, MAIN.....	140 - 6	4H12	HARNES, MOISTURE SENSOR MOTOR YIELD MAPPING	155 - 8
4D21	GEARCASE, PRIMARY COUNTERSHAFT	140 - 14	1H7	HARNES, STARTER, WIRING	40 - 60
4I11	GEARCASE, TRANSFER	160 - 18	4D5	HARNES, WIRING, LEVELING (SIDEHILL).....	135 - 20
4F24	GEARCASE, VERTICAL AUGER LOWER	150 - 10	1G15	HARVESTRAK WIRING HARNES	40 - 42
2F16	GEARS, MAIN HYDRAULIC PUMP	70 - 6	1D1	HEAD BOLT KIT, CYLINDER	25 - 20
2B21	GEARS, TRANSMISSION PINION	50 - 18	1D1	HEAD, CYLINDER	25 - 20
3C9	GEARSHIFT LEVER AND LINKAGE	90 - 34	3G9	HEADER DRIVE SHAFT, SIDEHILL	100 - 68
3B13	GLASS, CAB AND DOOR.....	90 - 12	4D23	HEADER ELECTROMAGNETIC CLUTCH	140 - 16
3C11	GRAIN LOSS DISPLAY, R.H. CORNERPOST.....	90 - 36	2G7	HEADER HEIGHT CONTROL HYDRAULIC LINE AND VALVE BLOCK	70 - 22
1G16	GRAIN LOSS MONITOR WIRING HARNES	40 - 43	2G6	HEADER HEIGHT CONTROL VALVE	70 - 21
3I13	GRAIN PAN, SHAKER.....	120 - 22	2G13	HEADER LIFT CYLINDER, HYDRAULIC	70 - 29
4F20	GRAIN TANK AND CURTAINS.....	150 - 6	4C23	HEADER LIFT HYDRAULIC LINES AND HOSES (SIDEHILL).....	135 - 14
4F18	GRAIN TANK BASE.....	150 - 4	2G14	HEADER LIFT LINES AND HOSES	70 - 30
4G21	GRAIN TANK CROSS AUGERS.....	150 - 32	2G8	HEADER LIFT MODULE, SOLENOID CONTROL VALVE	70 - 24
1G17	GRAIN TANK DUAL LEVEL MONITOR HARNES.....	40 - 44	4C19	HEADER LIFT SUPPORT (SIDEHILL)	135 - 10
4F22	GRAIN TANK EXTENSIONS.....	150 - 8	1D24	HEAT SHIELD, EXHAUST MANIFOLD.....	25 - 46
1G19	GRAIN TANK FULL BIN SENSOR	40 - 46	3D7	HEATER AND AIR CONDITIONING DUCTS	95 - 7
4H4	GRAIN TANK SAMPLING TROUGH.....	150 - 41	3D4	HEATER AND AIR CONDITIONING HOUSING, LOWER	95 - 4
4F16	GRAIN TANK TOP.....	150 - 2	3D2	HEATER AND AIR CONDITIONING HOUSING, UPPER	95 - 2
4G24	GRAIN TANK UNLOADING DRIVE CYLINDER AND MOUNTING	150 - 36	1C2	HEATER HOSE CONNECTORS.....	20 - 25
4G1	GRAIN TANK VERTICAL UNLOADING AUGER AND MOUNTING	150 - 12	1B20	HEATER, COOLANT, ENGINE BLOCK	20 - 18
1G18	GRAIN TANK WIRING HARNES	40 - 45	2B12	HIGH FLOATATION DRIVE WHEELS	50 - 8
3H6	GRATE CURTAIN, BEATER	110 - 19	3I19	HINGE, DOOR, CLEAN GRAIN LOWER AUGER	125 - 4
3H1	GRATE, BEATER (NARROW).....	110 - 14	3E17	HINGE, DOOR, FEEDER HOUSE FRAME	100 - 26
3H5	GRATE, FINGER, SPIKE-TOOTH.....	110 - 18	4F16	HINGE, DOOR, GRAIN TANK TOP	150 - 2
3H3	GRATE, SPIKE-TOOTH CONCAVE	110 - 16	2J14	HINGE, ENGINE COMPARTMENT DOOR.....	80 - 34
2J8	GRIP, LADDER, REAR	80 - 28	4F22	HINGE, GRAIN TANK EXTENSIONS	150 - 8
2J10	GRIP, LATCH ARM, REAR LADDER	80 - 30	2I19	HINGE, GULLWING DOOR, L.H.	80 - 14
2B23	GROUND SPEED SENSOR	50 - 20	2I21	HINGE, LEFT REAR GULLWING	80 - 16
2C1	GROUND SPEED SENSOR (SIDEHILL)	50 - 22	2J3	HINGE, R.H. GULLWING DOOR	80 - 22
4B22	GUARD AND STRAW SPREADER MOUNTING	130 - 20	2J5	HINGE, REAR DOOR, R.H.	80 - 24
3F9	GUIDES, FEEDER CONVEYOR DRIVE CHAIN	100 - 42	3I19	HINGED DOOR, LOWER AUGER, CLEAN GRAIN.....	125 - 4
3F11	GUIDES, TIGHTENER AND FEEDER CONVEYOR DRIVE CHAIN (SIDEHILL)	100 - 44	2J12	HOOD, REAR.....	80 - 32
2I19	GULLWING DOOR, L.H.	80 - 14	1E20	HOOK, ENGINE PLATFORM	30 - 16
2I21	GULLWING DOOR, LEFT REAR	80 - 16	4G17	HORIZONTAL UNLOADING AUGER	150 - 28
2J3	GULLWING DOOR, R.H.	80 - 22	4G12	HORIZONTAL UNLOADING AUGER DRIVE GEARCASE	150 - 23
H					
1E11	HAND PRIMER, FUEL TRANSFER PUMP	30 - 7	4G13	HORIZONTAL UNLOADING AUGER HOUSING	150 - 24
4C5	HANDLE AND SHIELDS, CHAFF SPREADER	130 - 28	4G15	HORIZONTAL UNLOADING AUGER HOUSING (EXPORT)	150 - 26
3B15	HANDLE, CAB DOOR	90 - 14	4G11	HORIZONTAL UNLOADING AUGER HUB SUPPORT AND SWITCH	150 - 22
3B7	HANDLE, CAB REAR	90 - 6	4G7	HORIZONTAL UNLOADING AUGER SWIVEL.....	150 - 18
3I3	HANDLE, CHAFFER ELEMENT	120 - 12	3B6	HORN ASSEMBLY.....	90 - 4
3I5	HANDLE, CHAFFER EXTENSION	120 - 14	3C5	HORN BUTTON.....	90 - 30
3G17	HANDLE, CYLINDER DOOR (CORN)	110 - 6	3D12	HOSE, AIR CONDITIONER COMPRESSOR	95 - 12
3G15	HANDLE, CYLINDER DOOR, GRAIN AND RICE	110 - 4	2H5	HOSE, HYDRAULIC, REEL PUMP	70 - 46
3F5	HANDLE, FEEDER HOUSE LATCH.....	100 - 38			

ALPHABETICAL INDEX - CONTINUED

<i>GRID</i>	<i>PAGE</i>	<i>GRID</i>	<i>PAGE</i>
3F19 HOSE, HYDRAULIC, VARIABLE DRIVE, FEEDER HOUSE.....	100 - 52	2H19 HYDRAULIC FILTER ASSEMBLY, MAIN.....	70 - 60
2D15 HOSE, HYDROSTATIC OIL COOLER.....	50 - 66	2H17 HYDRAULIC HOSE, CONTOUR MASTER (L.H.).....	70 - 58
2F18 HOSE, OIL AND AIR CONDITIONER CONDENSER.....	70 - 8	3F19 HYDRAULIC HOSE, VARIABLE DRIVE, FEEDER HOUSE.....	100 - 52
2D11 HOSE, OIL, HYDROSTATIC DRIVE, UPPER.....	50 - 62	2H5 HYDRAULIC HOSES, REEL PUMP.....	70 - 46
2D19 HOSE, 4-WHEEL DRIVE HYDRAULIC, L.H.....	50 - 70	2G22 HYDRAULIC LINES AND HOSES, CYLINDER SPEED.....	70 - 38
2G14 HOSES AND LINES, HEADER LIFT.....	70 - 30	2G14 HYDRAULIC LINES AND HOSES, HEADER LIFT.....	70 - 30
4C23 HOSES AND LINES, HYDRAULIC, HEADER LIFT (SIDEHILL).....	135 - 14	4C23 HYDRAULIC LINES AND HOSES, HEADER LIFT (SIDEHILL).....	135 - 14
2H9 HOSES AND LINES, REEL DRIVE, FRONT.....	70 - 50	2D19 HYDRAULIC LINES AND HOSES, L.H., 4-WHEEL DRIVE.....	50 - 70
2H15 HOSES AND LINES, REEL LIFT.....	70 - 56	2H13 HYDRAULIC LINES AND HOSES, REEL FORE-AND-AFT, FRONT.....	70 - 54
2E18 HOSES AND LINES, STEERING, FRONT.....	60 - 18	2F20 HYDRAULIC LINES AND HOSES, WET CLUTCH OIL COOLER.....	70 - 10
2E24 HOSES AND LINES, STEERING, REAR.....	60 - 24	2D23 HYDRAULIC LINES, CASE DRAIN, 4-WHEEL DRIVE.....	50 - 74
4G3 HOSES AND LINES, UNLOADING AUGER SWING HYDRAULIC CYLINDER.....	150 - 14	2H11 HYDRAULIC LINES, REEL FORE-AND-AFT, L.H. SIDE.....	70 - 52
2F20 HOSES AND LINES, WET CLUTCH OIL COOLER.....	70 - 10	4G5 HYDRAULIC MOUNTING, UNLOADING AUGER SWING.....	150 - 16
3D21 HOSES, FEEDER HOUSE GEARCASE COOLER.....	100 - 4	2F12 HYDRAULIC PRESSURE LINES AND HOSES.....	70 - 2
4G24 HOSES, GRAIN TANK UNLOADING DRIVE CYLINDER.....	150 - 36	2F16 HYDRAULIC PUMP, MAIN.....	70 - 6
2H17 HOSES, HYDRAULIC, CONTOUR MASTER (L.H.).....	70 - 58	2F14 HYDRAULIC RETURN LINES, UPPER.....	70 - 4
2G22 HOSES, HYDRAULIC, CYLINDER SPEED.....	70 - 38	2F11 HYDRAULIC/HYDROSTATIC OIL RESERVOIR.....	70 - 1
4C15 HOSES, LEVELING CYLINDER (SIDEHILL).....	135 - 6	4I19 HYDRAULICS, TENSION CYLINDER.....	160 - 26
2I3 HOSES, LINES, CHAFF SPREADER.....	70 - 70	2C18 HYDROSTATIC DRIVE CHARGE PUMP.....	50 - 40
2D13 HOSES, OIL, HYDROSTATIC DRIVE, LOWER (SIDEHILL 2 WHEEL DRIVE).....	50 - 64	2C12 HYDROSTATIC DRIVE CONTROL CABLES.....	50 - 34
2D9 HOSES, OIL, HYDROSTATIC DRIVE, LOWER (2-WHEEL DRIVE).....	50 - 60	2C19 HYDROSTATIC DRIVE DISPLACEMENT CONTROL VALVE.....	50 - 42
2D17 HOSES, OIL, HYDROSTATIC DRIVE, LOWER (4-WHEEL DRIVE).....	50 - 68	2C21 HYDROSTATIC DRIVE MOTOR, FIXED.....	50 - 44
2F12 HOSES, PRESSURE, HYDRAULIC.....	70 - 2	2D11 HYDROSTATIC DRIVE OIL HOSE, UPPER.....	50 - 62
1B12 HOSES, RADIATOR.....	20 - 10	2D13 HYDROSTATIC DRIVE OIL LINES AND HOSES, LOWER (SIDEHILL 2 WHEEL DRIVE).....	50 - 64
2H7 HOSES, REEL DRIVE, HYDRAULIC, L.H. SIDE.....	70 - 48	2D9 HYDROSTATIC DRIVE OIL LINES AND HOSES, LOWER (2-WHEEL DRIVE).....	50 - 60
2E20 HOSES, STEERING, L.H. SIDE.....	60 - 20	2D17 HYDROSTATIC DRIVE OIL LINES AND HOSES, LOWER (4-WHEEL DRIVE).....	50 - 68
2E16 HOSES, STEERING, UPPER.....	60 - 16	2C14 HYDROSTATIC DRIVE PUMP SHAFT AND COVER.....	50 - 36
2H21 HOSES, TILT CYLINDER, CONTOUR MASTER.....	70 - 62	2D15 HYDROSTATIC OIL COOLER LINES AND HOSES.....	50 - 66
2F14 HOSES, UPPER RETURN, HYDRAULIC.....	70 - 4	2F11 HYDROSTATIC/HYDRAULIC RESERVOIR.....	70 - 1
2D21 HOSES, 4-WHEEL DRIVE, FLOW CONTROL TO CAM LOBE MOTOR.....	50 - 72		
2C10 HOUSING AND BEARING CAP, FINAL DRIVE (SIDEHILL).....	50 - 32	I	
3H17 HOUSING AND SHOE GRAIN SUPPLY AUGERS.....	120 - 2	1B4 IDLER ARMS, ROTARY SCREEN DRIVE.....	20 - 2
1E10 HOUSING CONNECTORS, FUEL INJECTION PUMP ..	30 - 6	4I1 IDLER ASSEMBLY, ADJUSTABLE AND FRONT ARM..	160 - 6
2B18 HOUSING COVER, TRANSMISSION AND DIFFERENTIAL.....	50 - 14	4I5 IDLER AXLE.....	160 - 10
3D4 HOUSING, AIR CONDITIONER/HEATER, LOWER.....	95 - 4	3F13 IDLER BRACKET, FEEDER CONVEYOR.....	100 - 46
3D2 HOUSING, AIR CONDITIONER/HEATER, UPPER.....	95 - 2	1B19 IDLER PULLEY, AIR CONDITIONER COMPRESSOR ..	20 - 17
3D6 HOUSING, CAB AIR FILTER.....	95 - 6	4I7 IDLER WHEEL ASSEMBLY.....	160 - 12
4G1 HOUSING, CHARGE, VERTICAL UNLOADING AUGER.....	150 - 12	3F15 IDLER, DRIVE CHAIN (SIDEHILL).....	100 - 48
4G13 HOUSING, HORIZONTAL UNLOADING AUGER.....	150 - 24	4F12 IDLER, DRIVE, CLEAN GRAIN ELEVATOR.....	140 - 58
4G15 HOUSING, HORIZONTAL UNLOADING AUGER (EXPORT).....	150 - 26	3F7 IDLER, FEEDER HOUSE CONVEYOR.....	100 - 40
2C16 HOUSING, HYDROSTATIC PUMP.....	50 - 38	3G1 IDLER, FEEDER HOUSE DUST PAN, L.H.....	100 - 60
1D11 HOUSING, OIL FILTER.....	25 - 32	4B24 IDLER, STRAW SPREADER.....	130 - 22
1C22 HOUSING, REAR CRANKSHAFT OIL SEAL.....	25 - 15	3C5 IGNITION SWITCH.....	90 - 30
2B7 HOUSING, SPINDLE, REAR AXLE (REGULAR DUTY).....	50 - 3	3F24 INDICATOR, FEEDER HOUSE POSITION.....	100 - 58
3J11 HOUSING, TAILINGS ELEVATOR.....	125 - 20	1H14 INDICATOR, SPIKE TOOTH.....	40 - 68
1D18 HOUSING, THERMOSTAT, FRONT.....	25 - 40	1E8 INJECTION PUMP GEAR.....	30 - 4
2B17 HOUSING, TRANSMISSION AND DIFFERENTIAL.....	50 - 13	1E8 INJECTION PUMP LUBE LINE.....	30 - 4
3J19 HOUSING, UPPER TAILINGS AUGER.....	125 - 28	1E8 INJECTION PUMP, ELECTRONIC FUEL.....	30 - 4
4G11 HUB SUPPORT, HORIZONTAL AUGER.....	150 - 22	2C6 INNER CASTING, PIVOT TUBE, FINAL DRIVE (SIDEHILL).....	50 - 28
4I10 HUB, BOGEY WHEEL.....	160 - 16	2D1 INNER COVER.....	50 - 50
1B16 HUB, FAN PULLEY (RADIATOR).....	20 - 14	2B19 INPUT SHAFT, TRANSMISSION.....	50 - 16
4I7 HUB, IDLER WHEEL.....	160 - 12		
1C4 HUB, ROTARY SCREEN DRIVE.....	20 - 27		
1C5 HUB, ROTARY SCREEN DRIVE.....	20 - 28		

ALPHABETICAL INDEX - CONTINUED

GRID	PAGE	GRID	PAGE
3H1	INSERTS, CONCAVE		110 - 14
1D1	INSERTS, VALVE SEAT		25 - 20
1I5	INSPECTION LIGHT, CLEANING SHOE		40 - 84
1D20	INTAKE MANIFOLD AND GASKET		25 - 42
3H19	INTAKE SHIELDS, CLEANING FAN		120 - 4
1E22	INTAKE TUBES AND AIR CLEANER		30 - 18
1D1	INTAKE VALVES, CYLINDER HEAD		25 - 20
1D8	INTAKE, ENGINE OIL PUMP		25 - 28
1B24	INTERCOOLER		20 - 22
3B11	INTERIOR CAB ROOF		90 - 10
4E7	INTERMEDIATE SHAFT MOUNTING, CYLINDER DRIVE, DUAL-RANGE		140 - 28
4E9	INTERMEDIATE SHEAVE, CYLINDER DRIVE, DUAL-RANGE		140 - 30
J			
4D19	JACKSHAFT, PRIMARY COUNTERSHAFT		140 - 12
4E21	JACKSHAFT, SEPARATOR FAN DRIVE		140 - 42
4F5	JACKSHAFT, STRAW CHOPPER DIVE, REAR		140 - 50
4I11	JACKSHAFT, TRANSFER GEARCASE		160 - 18
4H1	JACKSHIFT, UNLOADING AUGER COUNTERSHAFT ..		150 - 38
K			
1C18	KEY, DAMPER, CRANKSHAFT		25 - 11
3D14	KIT, AIR CONDITIONING COMPRESSOR		95 - 14
1F13	KIT, CONVENIENCE OUTLET		40 - 12
1E1	KIT, CYLINDER HEAD		25 - 48
1D1	KIT, CYLINDER HEAD BOLT		25 - 20
1F6	KIT, ELECTRICAL CONNECTOR SERVICE		40 - 4
1F8	KIT, ELECTRICAL CONNECTOR SERVICE		40 - 6
1C15	KIT, ENGINE OVERHAUL		25 - 8
1E1	KIT, ENGINE REBUILD		25 - 48
3C24	KIT, HARDWARE, CAB		90 - 50
2C23	KIT, HYDROSTATIC MOTOR VALVE		50 - 46
4D2	KIT, LEVELING CYLINDER (SIDEHILL)		135 - 17
4D1	KIT, LEVELING CYLINDER, SIDEHILL		135 - 16
3B21	KIT, LUMBAR		90 - 20
4B11	KIT, PADDLE BLADE, FINE CUT CHOPPER		130 - 8
1C17	KIT, PISTON/LINER		25 - 10
3G21	KIT, RASP BAR THRESHING CYLINDER		110 - 10
3D15	KIT, SEAL, COMPRESSOR, REFRIGERANT		95 - 15
3H11	KIT, STRAW WALKER BEARING		110 - 24
1F10	KIT, TERMINAL AND WIRING		40 - 8
1C19	KIT, UNDERSIZE CRANKSHAFT (CONNECTING ROD JOURNAL)		25 - 12
1C20	KIT, UNDERSIZED MAIN BEARING CRANKSHAFT		25 - 13
1D16	KIT, WATER PUMP		25 - 38
4B13	KNIFE, CHOPPER HOUSING		130 - 10
4B13	KNIFEBANK AND HOUSING, CHOPPER		130 - 10
3B24	KNOB, ARMREST CONTROL PANEL		90 - 24
3C1	KNOB, ARMREST CONTROL PANEL		90 - 26
3D6	KNOB, CAB AIR FILTER DOOR		95 - 6
2H22	KNOB, CHAFF SPREADER CONTROL		70 - 64
4F16	KNOB, DOOR, GRAIN TANK TOP		150 - 2
2I17	KNOB, DOOR, LEFT FRONT PANEL		80 - 12
3C9	KNOB, GEARSHIFT LEVER		90 - 34
3B21	KNOB, LUMBAR		90 - 20
3C13	KNOB, POTENTIOMETER		90 - 38
L			
1F17	L.H. MAIN WIRING HARNESS		40 - 16
1F18	L.H. MAIN WIRING HARNESS		40 - 18
4J17	LABEL, AXLE STOP AND TIRE CLEARANCE		170 - 20
4J17	LABEL, TIRE CLEARANCE		170 - 20
4J17	LABEL, TIRE PRESSURE		170 - 20
4J17	LABEL, WHEEL BOLT TORQUE		170 - 20
4J19	LABELS, FRENCH CANADIAN		170 - 22
4J20	LABELS, PORTUGUESE		170 - 23
4J21	LABELS, ROMANIAN		170 - 24
4J22	LABELS, RUSSIAN		170 - 25
4J15	LABELS, SAFETY (RUBBER TRACK)		170 - 18
4J23	LABELS, SPANISH		170 - 26
4J24	LABELS, UKRAINIAN		170 - 27
3C19	LADDER AND LATCH, OPERATOR'S PLATFORM		90 - 44
3C17	LADDER EXTENSION		90 - 42
2J14	LADDER, ENGINE COMPARTMENT		80 - 34
4F16	LADDER, GRAIN TANK		150 - 2
3C17	LADDER, HANDRAILS AND EXTENSION		90 - 42
2J8	LADDER, REAR		80 - 28
2J5	LAMP, SERVICE, R.H. REAR DOOR		80 - 24
1I4	LAMP, TRANSPORT WARNING LIGHTS		40 - 83
2J8	LANDING AND LADDER, REAR		80 - 28
3C20	LANDING, L.H.		90 - 46
3C22	LANDING, R.H.		90 - 48
2J10	LANDING, REAR LADDER		80 - 30
3C19	LATCH AND LADDER, OPERATOR'S PLATFORM		90 - 44
2J10	LATCH ARM, REAR LADDER LANDING		80 - 30
3F5	LATCH HANDLE, FEEDER HOUSE		100 - 38
1E22	LATCH, AIR CLEANER		30 - 18
3B15	LATCH, CAB DOOR		90 - 14
4B18	LATCH, CHOP-TO-BALE		130 - 16
2I17	LATCH, DOOR, LEFT FRONT PANEL		80 - 12
3E11	LATCH, DRIVE SHIELD		100 - 20
4F24	LATCH, GRAIN TANK CLEAN OUT CHUTE		150 - 10
4F16	LATCH, GRAIN TANK TOP		150 - 2
3H16	LATCH, SHOE GRAIN AUGER CLEANOUT DOOR		120 - 1
3J11	LATCH, TAILINGS, ELEVATOR HOUSING		125 - 20
2I11	LEFT SIDE SHIELD ASSEMBLY		80 - 6
1H25	LENS, FRONT (AMBER)		40 - 79
1H24	LENS, FRONT, AMBER		40 - 78
3G3	LEVELING CABLES, FEEDER HOUSE, SIDEHILL, (UPPER REAR)		100 - 62
4C21	LEVELING CABLES, SHEAVES AND BRACKETS SIDEHILL (LOWER FRONT)		135 - 12
4D6	LEVELING CONTROL ASSEMBLY (SIDEHILL)		135 - 21
4C15	LEVELING CYLINDER HOSES AND OIL LINES (SIDEHILL)		135 - 6
4C17	LEVELING CYLINDER MOUNTING BRACKETS (SIDEHILL)		135 - 8
4C13	LEVELING CYLINDER OIL LINES (SIDEHILL)		135 - 4
4C17	LEVELING CYLINDER PINS (SIDEHILL)		135 - 8
4D1	LEVELING CYLINDER, SIDEHILL		135 - 16
4C11	LEVELING SOLENOID VALVE AND FLOW DIVIDER (SIDEHILL)		135 - 2
4D4	LEVELING VALVE		135 - 19
4D5	LEVELING WIRING HARNESS (SIDEHILL)		135 - 20
4B20	LEVER, DECLUTCHING, CHOP-TO-DROP		130 - 18
3C9	LEVER, GEARSHIFT		90 - 34
3B21	LEVER, LUMBAR ADJUSTMENT		90 - 20
2G13	LIFT CYLINDER, HEADER, HYDRAULIC		70 - 29
1D5	LIFT STRAPS, ENGINE		25 - 24
4C19	LIFT SUPPORT, HEADER (SIDEHILL)		135 - 10

ALPHABETICAL INDEX - CONTINUED

GRID		PAGE	GRID		PAGE
1H24	LIGHT ASSEMBLY, L.H. FRONT	40 - 78	4E4	LOCKOUT ARM, DUAL RANGE	140 - 24
111	LIGHT ASSEMBLY, REAR, AMBER	40 - 80	3B17	LOUVER, CAB	90 - 16
3J11	LIGHT SWITCH, TAILINGS ELEVATOR	125 - 20	1H21	LOW SHAFT SPEED SENSORS AND BRACKETS	40 - 75
1H23	LIGHT, CAB ROOF	40 - 77	3I19	LOWER AUGER, CLEAN GRAIN	125 - 4
3B11	LIGHT, CAB ROOF	90 - 10	3I21	LOWER ELEVATOR, CLEAN GRAIN	125 - 6
115	LIGHT, CLEANING SHOE INSPECTION	40 - 84	2D13	LOWER HYDROSTATIC DRIVE OIL LINES AND HOSES (SIDEHILL 2 WHEEL DRIVE)	50 - 64
1H25	LIGHT, R.H. FRONT	40 - 79	2D9	LOWER HYDROSTATIC DRIVE OIL LINES AND HOSES (2-WHEEL DRIVE)	50 - 60
112	LIGHT, REAR TURN AND TAIL	40 - 81	2D17	LOWER HYDROSTATIC DRIVE OIL LINES AND HOSES (4-WHEEL DRIVE)	50 - 68
2J18	LIGHT, REAR, ENGINE ACCESS PLATFORM	80 - 38	3J15	LOWER TAILINGS AUGER AND SHAFT	125 - 24
2J14	LIGHT, SERVICE, ENGINE COMPARTMENT	80 - 34	3J17	LOWER TAILINGS AUGER DRIVE TIGHTENER	125 - 26
2I19	LIGHT, SERVICE, L.H. GULLWING	80 - 14	3J15	LOWER TAILINGS AUGER SHAFT TIGHTENER	125 - 24
2J3	LIGHT, SERVICE, R.H. GULLWING	80 - 22	3J9	LOWER TAILINGS AUGER TROUGH	125 - 18
2J5	LIGHT, SERVICE, R.H. REAR DOOR	80 - 24	1C10	LUBRICANT, ELECTRICAL CONNECTOR, ENGINE	25 - 3
113	LIGHT, SIDE FINDER	40 - 82	1C10	LUBRICANT, VALVE STEM	25 - 3
3B4	LIGHT, STUBBLE LIGHT, CAB SUPPORT	90 - 2			
114	LIGHT, TRANSPORT WARNING	40 - 83		M	
1G17	LIGHT, UNLOADING AUGER	40 - 44	1H21	MAGNET, LOW SPEED SENSORS AND BRACKETS ..	40 - 75
2G7	LINE, HYDRAULIC, HEADER HEIGHT CONTROL	70 - 22	1H20	MAGNETIC PICK-UP (ENGINE)	40 - 74
1E8	LINE, INJECTION PUMP LUBE	30 - 4	1C11	MAIN BEARING CAPS, CYLINDER BLOCK	25 - 4
2C10	LINE, OIL - FINAL DRIVE HOUSING (SIDEHILL)	50 - 32	1C21	MAIN BEARINGS (8400)	25 - 14
1C17	LINER SHIM	25 - 10	4H24	MAIN FRAME PIVOT BUSHINGS	160 - 4
1C17	LINERS, CYLINDER	25 - 10	4D13	MAIN GEARCASE	140 - 6
2H24	LINES AND FITTINGS, CHAFF SPREADER	70 - 66	2F16	MAIN HYDRAULIC PUMP	70 - 6
2G14	LINES AND HOSES, HEADER LIFT	70 - 30	2G6	MAIN VALVE BLOCK SOLENOID ACTIVE HEADER HEIGHT CONTROL	70 - 21
4C23	LINES AND HOSES, HYDRAULIC, HEADER LIFT (SIDEHILL)	135 - 14	1F20	MAIN WIRING HARNESS, L.H.	40 - 20
2H9	LINES AND HOSES, REEL DRIVE, FRONT	70 - 50	2D1	MANIFOLD	50 - 50
2H15	LINES AND HOSES, REEL LIFT	70 - 56	3D11	MANIFOLD, A/C COMPRESSOR, R134A	95 - 11
2E18	LINES AND HOSES, STEERING, FRONT	60 - 18	2D23	MANIFOLD, CASE DRAIN	50 - 74
2E24	LINES AND HOSES, STEERING, REAR	60 - 24	1D24	MANIFOLD, EXHAUST	25 - 46
4G3	LINES AND HOSES, UNLOADING AUGER SWING HYDRAULIC CYLINDER	150 - 14	1D20	MANIFOLD, INTAKE	25 - 42
2F20	LINES AND HOSES, WET CLUTCH OIL COOLER	70 - 10	1D18	MANIFOLD, WATER, FRONT	25 - 40
2D21	LINES AND HOSES, 4-WHEEL DRIVE FLOW CONTROL TO CAM LOBE MOTOR	50 - 72	4H10	MASS FLOW SENSOR BRACKET, YIELD MAPPING ..	155 - 6
2E6	LINES, BRAKE, RESERVOIR, MASTER CYLINDER	60 - 6	4H10	MASS FLOW SENSOR DOOR, YIELD MAPPING	155 - 6
1E14	LINES, FUEL FILTER	30 - 10	4H10	MASS FLOW SENSOR, YIELD MAPPING	155 - 6
1E6	LINES, FUEL INJECTION	30 - 2	2E8	MASTER BRAKE CYLINDER	60 - 8
1E6	LINES, FUEL LEAK-OFF	30 - 2	2E6	MASTER CYLINDER, RESERVOIR, BRAKE LINES	60 - 6
1E8	LINES, FUEL LEAK-OFF, FUEL PUMP	30 - 4	3B9	MAT, CAB FLOOR	90 - 8
211	LINES, HOSES, VALVE AND PUMP, CHAFF SPREADER	70 - 68	1E20	MAT, ENGINE PLATFORM	30 - 16
2G22	LINES, HYDRAULIC, CYLINDER SPEED	70 - 38	3E17	MAT, FEEDER HOUSE FRAME	100 - 26
2H5	LINES, HYDRAULIC, REEL PUMP	70 - 46	3J13	MATERIAL MODULE, TAILINGS ELEVATOR	125 - 22
2D15	LINES, HYDROSTATIC OIL COOLER	50 - 66	3C20	MIRROR, L.H.	90 - 46
2D13	LINES, OIL, HYDROSTATIC DRIVE, LOWER (SIDEHILL 2 WHEEL DRIVE)	50 - 64	3C22	MIRROR, R.H.	90 - 48
2D9	LINES, OIL, HYDROSTATIC DRIVE, LOWER (2-WHEEL DRIVE)	50 - 60	4H8	MOBILE PROCESSOR, YIELD MAPPING	155 - 4
2D17	LINES, OIL, HYDROSTATIC DRIVE, LOWER (4-WHEEL DRIVE)	50 - 68	1G20	MODULE, CENTRAL ELECTRONICS AND CIRCUIT BOARDS	40 - 48
4C15	LINES, OIL, LEVELING CYLINDER (SIDEHILL)	135 - 6	4H16	MODULE, DATASTORE	155 - 12
2F12	LINES, PRESSURE, HYDRAULIC	70 - 2	4H18	MODULE, DATASTORE	155 - 14
2H7	LINES, REEL DRIVE, HYDRAULIC, L.H. SIDE	70 - 48	2F23	MODULE, SIX STACK SOLENOID VALVE	70 - 14
2F14	LINES, RETURN, HYDRAULIC RESERVOIR	70 - 4	3J13	MODULE, TAILINGS ELEVATOR SENSOR	125 - 22
2E22	LINES, STEERING R.H. SIDE	60 - 22	1H16	MOISTURE SENSOR	40 - 70
2E20	LINES, STEERING, L.H. SIDE	60 - 20	4H12	MOISTURE SENSOR BRACKET, YIELD MAPPING	155 - 8
1D22	LINES, TURBOCHARGER OIL	25 - 44	4H12	MOISTURE SENSOR COVER, YIELD MAPPING	155 - 8
2D19	LINES, 4-WHEEL DRIVE HYDRAULIC, L.H.	50 - 70	4H14	MOISTURE SENSOR COVERS, YIELD MAPPING	155 - 10
1H14	LINKAGE, CONCAVE INDICATOR	40 - 68	4H19	MOISTURE SENSOR DECALS, YIELD MONITOR	155 - 15
3F24	LINKAGE, CONCAVE SENSOR	100 - 58	4H12	MOISTURE SENSOR MOTOR HARNESS YIELD MAPPING	155 - 8
3C9	LINKAGE, GEARSHIFT	90 - 34	4H12	MOISTURE SENSOR MOTOR, YIELD MAPPING	155 - 8
4F1	LINKAGE, SHEAVE, FAN DRIVE SPEED CONTROL	140 - 46	4H12	MOISTURE SENSOR, YIELD MAPPING	155 - 8
4E23	LINKAGE, SPEED CONTROL, FAN DRIVE	140 - 44	1G16	MONITOR WIRING HARNESS, GRAIN LOSS	40 - 43
3J1	LOADING AUGER, CLEAN GRAIN	125 - 10	4C3	MOTOR AND DISC, CHAFF SPREADER	130 - 26
			1H18	MOTOR, ADJUSTING, SEPARATOR FAN DRIVE	40 - 72

ALPHABETICAL INDEX - CONTINUED

<i>GRID</i>		<i>PAGE</i>
1H13	MOTOR, CONCAVE ADJUSTING.....	40-66
3D2	MOTOR, HEATER AND AIR CONDITIONER.....	95-2
2C21	MOTOR, HYDROSTATIC DRIVE, FIXED.....	50-44
4H12	MOTOR, MOISTURE SENSOR, YIELD MAPPING	155-8
3D2	MOTOR, PRESSURE BLOWER	95-2
3D4	MOTOR, RECIRCULATION BLOWER, HEATER AND AIR CONDITIONER.....	95-4
1H11	MOTOR, REEL SPEED, AND BRACKET.....	40-64
1G13	MOTOR, WINDSHIELD WIPER	40-40
4C17	MOUNTING BRACKETS, LEVELING CYLINDER (SIDEHILL).....	135-8
4D3	MOUNTING, FLOW DIVIDER (SIDEHILL)	135-18
4G24	MOUNTING, GRAIN TANK UNLOADING DRIVE CYLINDER.....	150-36
2F11	MOUNTING, HYDRAULIC/HYDROSTATIC OIL RESERVOIR	70-1
2G18	MOUNTING, ONE GALLON ACCUMULATOR.....	70-34
4B22	MOUNTING, STRAW SPREADER AND GUARD	130-20
4H22	MOUNTING, TRACK FRAME	160-2
4G5	MOUNTING, UNLOADING AUGER SWING HYDRAULIC CYLINDER.....	150-16
2F23	MOUNTINGS, SIX STACK SOLENOID VALVE	70-14
2G3	MOUNTINGS, SOLENOID CONTROL VALVE MODULE ASSEMBLY, FOUR STACK.....	70-18
2G1	MOUNTINGS, SOLENOID CONTROL VALVE MODULE, FIVE STACK	70-16
2D25	MUD SHIELDS (POWERED REAR WHEELS).....	50-76
1E24	MUFFLER AND EXHAUST PIPE	30-20
 N 		
1E12	NOZZLE, FUEL INJECTION	30-8
1E6	NOZZLES, FUEL INJECTION	30-2
 O 		
1D16	O-RING, WATER PUMP	25-38
1C10	OFF-SEASON STORAGE KIT.....	25-3
2F18	OIL COOLER	70-8
1D9	OIL COOLER BYPASS ADAPTER AND TUBES.....	25-29
2D15	OIL COOLER LINES AND HOSES, HYDROSTATIC.....	50-66
1D10	OIL COOLER VALVE, TUBES AND COVER.....	25-30
1D10	OIL COOLER, ENGINE	25-30
3D21	OIL COOLER, FEEDER HOUSE GEARCASE.....	100-4
1B22	OIL DRAIN, ENGINE CRANKCASE	20-20
4D9	OIL FILTER ASSEMBLY, ENGINE GEARCASE	140-2
1D11	OIL FILTER BASE	25-32
1D11	OIL FILTER BYPASS VALVE	25-32
1D11	OIL FILTER HOUSING AND GASKET	25-32
1D11	OIL FILTER, ENGINE	25-32
2D11	OIL HOSE, UPPER, HYDROSTATIC DRIVE	50-62
2D9	OIL HOSES, HYDROSTATIC DRIVE, LOWER (2-WHEEL DRIVE).....	50-60
2D17	OIL HOSES, HYDROSTATIC DRIVE, LOWER (4-WHEEL DRIVE).....	50-68
2D23	OIL LINE, CASE DRAIN	50-74
2C8	OIL LINE, FINAL DRIVE	50-30
2C10	OIL LINE, FINAL DRIVE HOUSING (SIDEHILL).....	50-32
4C15	OIL LINES AND HOSES, LEVELING CYLINDER (SIDEHILL).....	135-6
2D9	OIL LINES HYDROSTATIC DRIVE, LOWER (2-WHEEL DRIVE).....	50-60
2D17	OIL LINES HYDROSTATIC DRIVE, LOWER (4-WHEEL DRIVE).....	50-68

<i>GRID</i>		<i>PAGE</i>
2D13	OIL LINES, HYDROSTATIC DRIVE, LOWER (SIDEHILL 2 WHEEL DRIVE).....	50-64
4C13	OIL LINES, LEVELING CYLINDER (SIDEHILL).....	135-4
2E6	OIL LINES, MASTER CYLINDER AND RESERVOIR	60-6
1D22	OIL LINES, TURBOCHARGER	25-44
1D13	OIL PAN	25-34
1D13	OIL PAN DRAIN VALVE	25-34
1D13	OIL PAN GASKET	25-34
1D11	OIL PRESSURE REGULATING VALVE	25-32
1B18	OIL PRESSURE SENSOR (ENGINE).....	20-16
1D6	OIL PUMP AND GASKET, ENGINE	25-26
1C18	OIL PUMP DRIVE GEAR, CRANKSHAFT	25-11
1D8	OIL PUMP INTAKE AND GASKET, ENGINE.....	25-28
1D6	OIL PUMP, ENGINE	25-26
2C18	OIL PUMP, HYDROSTATIC DRIVE CHARGE PUMP ...	50-40
1C24	OIL SEAL, CRANKSHAFT FRONT.....	25-17
1C22	OIL SEAL, CRANKSHAFT REAR	25-15
3D11	OIL, A/C COMPRESSOR	95-11
1C9	OIL, ENGINE (TORQ-GARD, PLUS-50).....	25-2
1C10	OIL, VALVE STEM LUBRICANT.....	25-3
2G18	ONE GALLON ACCUMULATOR AND MOUNTING	70-34
3B24	OPERATOR'S ARMREST PANEL	90-24
3C1	OPERATOR'S ARMREST PANEL	90-26
3C19	OPERATOR'S PLATFORM LADDER AND LATCH	90-44
3B21	OPERATOR'S SEAT AND ARMREST	90-20
3B23	OPERATOR'S SEATBELT.....	90-22
1F13	OUTLET, CONVENIENCE, KIT	40-12
1C15	OVERHAUL KIT, ENGINE.....	25-8
3C13	OVERHEAD CONSOLE.....	90-38
 P 		
3F17	PADDLE SHAFT, FEEDER HOUSE (SIDEHILL)	100-50
3I21	PADDLE, CLEAN GRAIN CONVEYOR CHAIN	125-6
3F17	PADDLE, LOWER SHAFT, FEEDER HOUSE (SIDEHILL).....	100-50
4H12	PADDLE, MOISTURE SENSOR, YIELD MAPPING.....	155-8
3J14	PADDLE, TAILINGS ELEVATOR CONVEYOR	125-23
4B11	PADDLED BLADE, FINE CUT CHOPPER	130-8
3J19	PADDLES, UPPER TAILINGS AUGER	125-28
1D13	PAN, OIL	25-34
3I13	PAN, SHAKER	120-22
3B24	PANEL, ARMREST	90-24
3C1	PANEL, ARMREST	90-26
3B9	PANEL, CAB INTERIOR TRIM	90-8
2J1	PANEL, RIGHT FRONT.....	80-20
2E2	PARKING BRAKE PEDAL AND SEAL	60-2
3B24	PAWL, ARMREST PANEL.....	90-24
3C3	PAWL, LOWER STEERING COLUMN	90-28
2E4	PEDAL, BRAKE	60-4
2E2	PEDAL, PARKING BRAKE	60-2
3C7	PEDAL, REVERSER FOOT CONTROL, FEEDER HOUSE.....	90-32
3C3	PEDAL, STEERING WHEEL ADJUSTER.....	90-28
1H20	PICK-UP, MAGNETIC (ENGINE)	40-74
2C8	PINION, FINAL DRIVE	50-30
1C17	PISTON & LINER KIT	25-10
1C17	PISTON RINGS	25-10
2D3	PISTON, CAM, AND CARRIER (STEERABLE MOTOR).....	50-52
1C17	PISTON, ENGINE	25-10
1B4	PITMAN ARM.....	20-2
4H24	PIVOT BUSHINGS, MAIN FRAME	160-4
2C6	PIVOT TUBE, INNER CASTING, FINAL DRIVE (SIDEHILL).....	50-28

ALPHABETICAL INDEX - CONTINUED

<i>GRID</i>		<i>PAGE</i>	<i>GRID</i>		<i>PAGE</i>
2D4	PIVOTS, CAPS AND YOKE (STEERABLE MOTOR)	50 - 54	3G21	RASP BAR THRESHING CYLINDER	110 - 10
4G19	PLATE, CROSS AUGER BEARING, L.H.....	150 - 30	4I5	REAR ARM, TENSION CYLINDER & IDLER AXLE	160 - 10
3C19	PLATFORM LADDER AND LATCH, OPERATOR'S	90 - 44	2B7	REAR AXLE SPINDLE HOUSING (REGULAR DUTY)	50 - 3
3C20	PLATFORM, CAB LANDING, L.H.	90 - 46	2F4	REAR AXLE SPINDLES (HEAVY DUTY).....	60 - 30
3C22	PLATFORM, CAB, R.H.....	90 - 48	2F2	REAR AXLE SPINDLES (REGULAR DUTY)	60 - 28
1E20	PLATFORM, ENGINE	30 - 16	2B5	REAR AXLE SUPPORT.....	50 - 1
2J18	PLATFORM, ENGINE ACCESS	80 - 38	2B8	REAR AXLE, ADJUSTABLE	50 - 4
1H19	PLUGGING SENSING SWITCH, STRAW WALKER	40 - 73	2B7	REAR AXLE, FIXED	50 - 3
4J20	PORTUGUESE DECALS AND LABELS	170 - 23	2I23	REAR CORNER PANEL, L H	80 - 18
4H6	POSITION RECEIVER BRACKET, YIELD MAPPING	155 - 2	1C22	REAR CRANKSHAFT OIL SEAL AND GASKET	25 - 15
4H6	POSITION RECEIVER COVER, YIELD MAPPING	155 - 2	2J5	REAR DOOR, R.H.	80 - 24
4H6	POSITION RECEIVER, YIELD MAPPING	155 - 2	2J12	REAR HOOD	80 - 32
3C13	POTENTIOMETER.....	90 - 38	2J10	REAR LADDER LANDING LATCH ARM	80 - 30
3H23	PRE-CLEANER CHAFFER FRAME	120 - 8	1I1	REAR LAMP ASSEMBLY, AMBER.....	40 - 80
3H21	PRE-CLEANING CHAFFER.....	120 - 6	2E24	REAR STEERING LINES AND HOSES	60 - 24
3I1	PRECLEANER CHAFFER FRAME ARMS	120 - 10	1C1	REAR SUPPORT, ENGINE	20 - 24
2G20	PRESSURE GAUGE, ACCUMULATOR	70 - 36	3J5	REAR TAILINGS SHIELD, LEFT SIDE.....	125 - 14
4D11	PRESSURE REGULATOR, ENGINE GEARCASE.....	140 - 4	1I2	REAR TURN AND TAIL LIGHTS	40 - 81
4D9	PRESSURE SWITCH, ENGINE GEARCASE OIL FILTER ASSEMBLY	140 - 2	2B15	REAR WHEELS (4-WHEEL DRIVE/CAM LOBE MOTOR).....	50 - 11
2F12	PRESSURE, HYDRAULIC, LINES AND HOSES	70 - 2	2B14	REAR WHEELS AND WHEEL WEIGHTS	50 - 10
4D24	PRIMARY COUNTERSHAFT AND VARIABLE SHEAVE	140 - 18	3D9	RECEIVER-DRYER, AIR CONDITIONER.....	95 - 9
4D19	PRIMARY COUNTERSHAFT, GEARCASE AND DRIVE SHAFT	140 - 12	4H6	RECEIVER, POSITION, YIELD MAPPING	155 - 2
1E11	PRIMER, HAND, FUEL TRANSFER PUMP	30 - 7	2G24	REEL DRIVE AND BELT PICKUP	70 - 40
4H8	PROCESSOR, MOBILE, YIELD MAPPING	155 - 4	2H3	REEL DRIVE FLOW CONTROL VALVE	70 - 44
1B19	PULLEY, AIR CONDITIONER COMPRESSOR	20 - 17	2H9	REEL DRIVE HYDRAULIC LINES AND HOSES, FRONT	70 - 50
1H5	PULLEY, ALTERNATOR	40 - 58	2H7	REEL DRIVE LINES AND HOSES, L.H. SIDE.....	70 - 48
1H3	PULLEY, ALTERNATOR (185 AMP).....	40 - 56	2H13	REEL FORE-AND-AFT HYDRAULIC LINES AND HOSES, FRONT	70 - 54
1E3	PULLEY, CRANKSHAFT	25 - 50	2H11	REEL FORE-AND-AFT HYDRAULIC LINES, L.H. SIDE	70 - 52
1B16	PULLEY, FAN, HUB (RADIATOR)	20 - 14	2G10	REEL LIFT AND CYLINDER SPEED, SOLENOID CONTROL VALVE	70 - 26
3E7	PULLEY, FEEDER HOUSE DRIVE TIGHTENER	100 - 16	2H15	REEL LIFT LINES AND HOSES.....	70 - 56
4E13	PULLEY, SECONDARY COUNTERSHAFT DRIVE	140 - 34	2H5	REEL PUMP HYDRAULIC HOSES.....	70 - 46
3E5	PULLEY, VARIABLE SPEED DRIVE TIGHTENER	100 - 14	1H11	REEL SPEED MOTOR	40 - 64
4D17	PUMP DRIVE AND SEPARATOR, GEARCASE	140 - 10	1G22	RELAY AND RELAY PANEL.....	40 - 50
4D15	PUMP DRIVE SHAFT AND SEPARATOR DRIVE WET-CLUTCH, GEARCASE	140 - 8	1B18	RELAY, STARTER, ENGINE.....	20 - 16
2H1	PUMP MOUNTING SHEAVE, REEL / BELT PICKUP DRIVE	70 - 42	2G5	RELIEF VALVE, SOLENOID MODULE.....	70 - 20
2G24	PUMP, CHAFF SPREADER	70 - 40	2F14	RESERVOIR LINES AND HOSES	70 - 4
2I1	PUMP, CHAFF SPREADER	70 - 68	2E6	RESERVOIR, BRAKE LINES, MASTER CYLINDER	60 - 6
2G24	PUMP, FEEDER HOUSE / REEL DRIVE.....	70 - 40	2F11	RESERVOIR, HYDRAULIC/HYDROSTATIC.....	70 - 1
1E8	PUMP, FUEL INJECTION	30 - 4	1G11	RESERVOIR, WINDSHIELD WASHER.....	40 - 38
1E11	PUMP, FUEL TRANSFER	30 - 7	3F22	RETURN FLOOR, FEEDER HOUSE	100 - 56
2C14	PUMP, HYDROSTATIC	50 - 36	2F14	RETURN LINES, UPPER, HYDRAULIC	70 - 4
2C18	PUMP, HYDROSTATIC DRIVE CHARGE	50 - 40	3C7	REVERSER FOOT CONTROL, FEEDER HOUSE.....	90 - 32
2F16	PUMP, MAIN HYDRAULIC	70 - 6	3E1	REVERSER GEAR BOX (STANDARD)	100 - 10
1D6	PUMP, OIL, ENGINE	25 - 26	3D23	REVERSER GEAR BOX, HIGH CAPACITY.....	100 - 6
2G24	PUMP, REEL / FEEDER HOUSE DRIVE.....	70 - 40	1C23	RING GEAR, FLYWHEEL	25 - 16
2H5	PUMP, REEL, HYDRAULIC HOSES.....	70 - 46	1C17	RINGS, PISTON.....	25 - 10
2E14	PUMP, STEERING.....	60 - 14	3H9	RISER, STRAW WALKERS.....	110 - 22
3C3	PUMP, STEERING.....	90 - 28	1D4	ROCKER ARM COVER AND GASKET	25 - 23
1D16	PUMP, WATER	25 - 38	1D3	ROCKER ARMS AND SHAFT.....	25 - 22
1G11	PUMP, WINDSHIELD WASHER	40 - 38	1C17	RODS, CONNECTING	25 - 10
1D3	PUSH RODS, ROCKER ARM.....	25 - 22	1D3	RODS, PUSH, ROCKER ARM	25 - 22
	R		4J21	ROMANIAN DECALS AND LABELS.....	170 - 24
1F23	R.H. MAIN WIRING HARNESS W/O GREENSTAR	40 - 24	1H23	ROOF, CAB LIGHTS	40 - 77
1G1	R.H. MAIN WIRING HARNESS W/GREENSTAR.....	40 - 28	3B11	ROOF, INTERIOR CAB	90 - 10
1B12	RADIATOR	20 - 10	1B6	ROTARY SCREEN DOOR AND SCREEN	20 - 4
1B10	RADIATOR SHELL AND SEALS.....	20 - 8	1C4	ROTARY SCREEN DRIVE	20 - 27
1B8	RADIATOR SHELL AND SEALS, FRAME	20 - 6	1C5	ROTARY SCREEN DRIVE	20 - 28
3C13	RADIO.....	90 - 38	1B4	ROTARY SCREEN DRIVE AND IDLER ARMS	20 - 2
3C15	RADIO, SPEAKERS AND ANTENNA	90 - 40	3H19	ROTOR, CLEANOUT FAN	120 - 4
			4B11	ROTOR, FINE CUT PADDLED BLADE CHOPPER.....	130 - 8
			4B9	ROTOR, FINE CUT STRAIGHT BLADE CHOPPER	130 - 6

ALPHABETICAL INDEX - CONTINUED

GRID		PAGE	GRID		PAGE
2B19	ROTOR, TRANSMISSION	50 - 16	2F11	SENSOR, WATER TEMPERATURE HYDRAULIC/HYDROSTATIC RESERVOIR	70 - 1
4B7	ROTOR, TRI-ROD CHOPPER	130 - 4	4D17	SEPARATOR AND PUMP DRIVE, GEARCASE	140 - 10
4J22	RUSSIAN DECALS AND LABELS	170 - 25	3G20	SEPARATOR CURTAIN, RASP BAR CYLINDER	110 - 9
			4D15	SEPARATOR DRIVE WET-CLUTCH AND PUMP DRIVE SHAFT, GEARCASE	140 - 8
	S		4E21	SEPARATOR FAN DRIVE	140 - 42
4I23	SAFETY DECALS AND LOCATIONS	170 - 2	1H18	SEPARATOR FAN DRIVE ADJUSTING MOTOR	40 - 72
4J1	SAFETY DECALS AND LOCATIONS	170 - 4	3G13	SEPARATOR/FEEDER HOUSE SEAL, STONE TRAP AND DOOR	110 - 2
4J3	SAFETY DECALS AND LOCATIONS	170 - 6	1F6	SERVICE KIT, ELECTRICAL CONNECTORS	40 - 4
4J5	SAFETY DECALS AND LOCATIONS	170 - 8	1F8	SERVICE KIT, ELECTRICAL CONNECTORS	40 - 6
4J7	SAFETY DECALS AND LOCATIONS	170 - 10	2J14	SERVICE LIGHT, ENGINE COMPARTMENT	80 - 34
4J15	SAFETY DECALS, RUBBER TRACK	170 - 18	2I19	SERVICE LIGHT, L.H. GULLWING	80 - 14
4J15	SAFETY LABELS, RUBBER TRACK	170 - 18	2J3	SERVICE LIGHT, R.H. GULLWING	80 - 22
3E9	SAFETY STOP, DRIVE SHIELDS, FEEDER HOUSE (SIDEHILL)	100 - 18	2J5	SERVICE LIGHT, R.H. REAR DOOR	80 - 24
4H4	SAMPLING TROUGH, GRAIN TANK	150 - 41	2C16	SERVO, HYDROSTATIC PUMP	50 - 38
3F22	SCOOP, FEEDER HOUSE	100 - 56	2C1	SHAFT AND GEARS, DIFFERENTIAL (SIDEHILL)	50 - 22
1B6	SCREEN ASSEMBLY, ROTARY	20 - 4	2B23	SHAFT, DIFFERENTIAL	50 - 20
1B6	SCREEN DOOR, ROTARY	20 - 4	2B9	SHAFT, DRIVE	50 - 5
1B4	SCREEN DRIVE, ROTARY	20 - 2	3G7	SHAFT, DRIVE, FRONT, FEEDER HOUSE (FIXED SPEED WITH REVERSER)	100 - 66
1E18	SCREEN, FUEL TANK	30 - 14	3G5	SHAFT, DRIVE, UPPER, SHEAVE AND MOUNTING (FIXED SPEED WITH REVERSER)	100 - 64
1C22	SEAL AND GASKET, REAR CRANKSHAFT OIL	25 - 15	2C3	SHAFT, FINAL DRIVE	50 - 24
2C21	SEAL KIT, HYDROSTATIC DRIVE MOTOR	50 - 44	2C4	SHAFT, FINAL DRIVE (SIDEHILL)	50 - 26
2G24	SEAL KIT, REEL/BELT PICKUP	70 - 40	2C8	SHAFT, FINAL DRIVE, SINGLE REDUCTION	50 - 30
3D11	SEAL, A/C COMPRESSOR	95 - 11	2C21	SHAFT, HYDROSTATIC DRIVE MOTOR	50 - 44
1C24	SEAL, FRONT, TRIMING GEAR OIL	25 - 17	2C14	SHAFT, HYDROSTATIC PUMP	50 - 36
1D16	SEAL, WATER PUMP OIL	25 - 38	3J15	SHAFT, LOWER TAILINGS AUGER	125 - 24
4C7	SEALS AND PAN, CHAFF SPREADER	130 - 30	2C24	SHAFT, OUTER COVER, BEARING AND SEALS CAM LOBE MOTOR	50 - 48
1B10	SEALS AND RADIATOR SHELL	20 - 8	2B19	SHAFT, PINION, TRANSMISSION	50 - 16
1B8	SEALS AND RADIATOR SHELL, FRAME	20 - 6	1D3	SHAFT, ROCKER ARM	25 - 22
3B7	SEALS, CAB SIDE AND REAR	90 - 6	3C3	SHAFT, STEERING COLUMN (LOWER)	90 - 28
3E21	SEALS, FEEDER HOUSE, CONTOUR MASTER	100 - 30	2B21	SHAFT, TRANSMISSION PINION	50 - 18
2C24	SEALS, SHAFT, OUTER COVER AND BEARING CAM LOBE MOTOR	50 - 48	3I17	SHAFT, UPPER CLEAN GRAIN ELEVATOR	125 - 2
3B21	SEAT AND BACKREST, OPERATOR'S	90 - 20	2B10	SHAFTS, DRIVE	50 - 6
3B17	SEAT ASSEMBLY	90 - 16	3I13	SHAKER PAN	120 - 22
3B19	SEAT, AIR SUSPENSION	90 - 18	3G19	SHEAR BAR, CYLINDER	110 - 8
3B23	SEAT, OPERATOR'S SEATBELT	90 - 22	4F1	SHEAVE LINKAGE, FAN DRIVE SPEED CONTROL	140 - 46
3B21	SEATBELT, OPERATOR'S	90 - 20	4E19	SHEAVE, BEATER DRIVE AND TIGHTENER	140 - 40
3B23	SEATBELT, OPERATOR'S SEAT	90 - 22	4C21	SHEAVE, BRACKETS AND LEVELING CABLES SIDEHILL (LOWER FRONT)	135 - 12
4E13	SECONDARY COUNTERSHAFT DRIVE AND PULLEY	140 - 34	3J3	SHEAVE, CLEAN GRAIN ELEVATOR GEARCASE	125 - 12
1E18	SEDIMENT BOWL, FUEL TANK	30 - 14	3G7	SHEAVE, FEEDER HOUSE DRIVE SHAFT (FIXED SPEED WITH REVERSER)	100 - 66
1H19	SENSING SWITCH, STRAW WALKER PLUGGING	40 - 73	3G1	SHEAVE, FEEDER HOUSE DUST FAN, L.H.	100 - 60
1H21	SENSOR AND BRACKET, LOW SHAFT SPEED	40 - 75	3G3	SHEAVE, FEEDER HOUSE, SIDEHILL, UPPER	100 - 62
1H16	SENSOR MODULE, MOISTURE	40 - 70	3F20	SHEAVE, FEEDER HOUSE, UPPER COUNTERSHAFT, VARIABLE DRIVE	100 - 54
3C1	SENSOR, ARMREST CONTROL PANEL	90 - 26	3D19	SHEAVE, FRONT VARIABLE DRIVE	100 - 2
1H14	SENSOR, CONCAVE INDICATOR	40 - 68	2H1	SHEAVE, MOUNTING, PUMP, REEL / BELT PICKUP DRIVE	70 - 42
3F24	SENSOR, CONCAVE INDICATOR	100 - 58	1C4	SHEAVE, ROTARY SCREEN DRIVE	20 - 27
1H20	SENSOR, ENGINE SPEED	40 - 74	1C5	SHEAVE, ROTARY SCREEN DRIVE	20 - 28
3D10	SENSOR, EVAPORATOR TEMPERATURE	95 - 10	3I17	SHEAVE, UPPER CLEAN GRAIN ELEVATOR	125 - 2
1G17	SENSOR, FULL TANK	40 - 44	3E21	SHELL, FEEDER HOUSE, CONTOUR MASTER	100 - 30
1G16	SENSOR, GRAIN LOSS MONITOR SYSTEM	40 - 43	1B10	SHELL, RADIATOR AND SEALS	20 - 8
2B23	SENSOR, GROUND SPEED	50 - 20	1B8	SHELL, RADIATOR AND SEALS, FRAME	20 - 6
2C1	SENSOR, GROUND SPEED (SIDEHILL)	50 - 22	4C5	SHIELD AND HANDLES, CHAFF SPREADER	130 - 28
4H10	SENSOR, MASS FLOW, YIELD MAPPING	155 - 6	2I13	SHIELD ASSEMBLY, FRONT RIGHT SIDE	80 - 8
4H12	SENSOR, MOISTURE, YIELD MAPPING	155 - 8	2I11	SHIELD ASSEMBLY, LEFT SIDE	80 - 6
1B18	SENSOR, OIL PRESSURE (ENGINE)	20 - 16	2I15	SHIELD ASSEMBLY, RIGHT SIDE	80 - 10
1H9	SENSOR, SPEED, FEEDER HOUSE BACKSHAFT	40 - 62	3F15	SHIELD BRACKETS AND CHAIN IDLERS, DRIVE (SIDEHILL)	100 - 48
4B15	SENSOR, STRAW CHOPPER	130 - 12			
3J13	SENSOR, TAILINGS ELEVATOR	125 - 22			
1E8	SENSOR, TEMPERATURE	30 - 4			
1C2	SENSOR, TEMPERATURE, ENGINE	20 - 25			
3D2	SENSOR, TEMPERATURE, HEATER AND A/C	95 - 2			
3D4	SENSOR, TEMPERATURE, HEATER AND A/C	95 - 4			
1D21	SENSOR, TEMPERATURE, INTAKE MANIFOLD	25 - 43			
1B24	SENSOR, TEMPERATURE, INTERCOOLER	20 - 22			

ALPHABETICAL INDEX - CONTINUED

GRID		PAGE	GRID		PAGE
2J7	SHIELD, DRIVE, R.H. REAR.....	80 - 26	2G12	SOLENOID CONTROL VALVE, AUGER SWING.....	70 - 28
1D1	SHIELD, EXHAUST VALVE.....	25 - 20	2G12	SOLENOID CONTROL VALVE, REEL FORE/AFT	70 - 28
3E13	SHIELD, FEEDHOUSE DRIVE, L.H. WITH AIRFLOW	100 - 22	4C11	SOLENOID VALVE, LEVELING (SIDEHILL).....	135 - 2
2C7	SHIELD, FINAL DRIVE SUPPORT (SIDEHILL)	50 - 29	1E8	SOLENOID, FUEL SHUT-OFF	30 - 4
1D24	SHIELD, HEAT, EXHAUST MANIFOLD	25 - 46	2G6	SOLENOID, MAIN VALVE BLOCK ACTIVE HEADER HEIGHT CONTROL	70 - 21
2I9	SHIELD, LEFT FRONT SIDE	80 - 4	1E8	SOLENOID, SHUT-OFF HOUSING.....	30 - 4
2D25	SHIELD, MUD (POWERED REAR WHEELS)	50 - 76	1E16	SOLENOID, STARTING AID, COLD WEATHER	30 - 12
3E15	SHIELD, R.H., FEEDER HOUSE	100 - 24	2B9	SPACER, AXLE	50 - 5
3J5	SHIELD, REAR TAILINGS LEFT SIDE.....	125 - 14	2B10	SPACERS, AXLE	50 - 6
4F7	SHIELD, STRAW CHOPPER DRIVE	140 - 52	4J23	SPANISH DECALS AND LABELS	170 - 26
3J7	SHIELD, TAILINGS UPPER REAR.....	125 - 16	3C15	SPEAKERS, ANTENNA AND RADIO	90 - 40
4F9	SHIELD, UPPER TAILINGS AUGER DRIVE	140 - 54	4E23	SPEED CONTROL LINKAGE, FAN DRIVE	140 - 44
2J12	SHIELD, WIRING HARNESS	80 - 32	4F1	SPEED CONTROL, FAN DRIVE SHEAVE LINKAGE	140 - 46
2B18	SHIFTER CAM, TRANSMISSION AND DIFFERENTIAL	50 - 14	1H11	SPEED, REEL, MOTOR AND BRACKET.....	40 - 64
2B17	SHIFTER FORKS, TRANSMISSION AND DIFFERENTIAL HOUSING	50 - 13	1H14	SPIKE TOOTH INDICATOR	40 - 68
1C17	SHIM, LINER	25 - 10	3F24	SPIKE TOOTH LINKAGE	100 - 58
4H22	SHIPPING FRAME.....	160 - 2	3G23	SPIKE TOOTH THRESHING CYLINDER.....	110 - 12
4I15	SHOE AND DRUM, BRAKE	160 - 22	3H1	SPIKE-TOOTH CONCAVE	110 - 14
3H16	SHOE GRAIN SUPPLY AUGER CLEANOUT DOOR	120 - 1	3H3	SPIKE-TOOTH CONCAVE	110 - 16
3H17	SHOE GRAIN SUPPLY AUGERS AND HOUSING	120 - 2	3H5	SPIKE-TOOTH FINGER GRATE.....	110 - 18
2E12	SHOE, BRAKE	60 - 12	2B7	SPINDLE HOUSING (REGULAR DUTY), REAR AXLE.....	50 - 3
4K1	SHOE, WALKER AND CONVEYOR AUGERS.....	170 - 28	2C24	SPINDLE, CAM LOBE MOTOR	50 - 48
1C13	SHORT BLOCK	25 - 6	2C8	SPINDLE, FINAL DRIVE	50 - 30
1E1	SHORT BLOCK GASKET KIT.....	25 - 48	2F4	SPINDLE, REAR AXLE (HEAVY DUTY)	60 - 30
1E8	SHUT-OFF HOUSING SOLENOID	30 - 4	2F2	SPINDLE, REAR AXLE (REGULAR DUTY).....	60 - 28
3B7	SIDE AND REAR CAB SEALS	90 - 6	4C1	SPREADER CURTAIN.....	130 - 24
1I3	SIDE FINDER LIGHTS	40 - 82	2I3	SPREADER, CHAFF, LINES AND HOSES	70 - 70
2J12	SIDE PANEL, REAR HOOD	80 - 32	4B24	SPREADER, STRAW.....	130 - 22
3E19	SIDEHILL FEEDER HOUSE FRAME	100 - 28	4E9	SPRING ASSEMBLY, DUAL RANGE CYLNER DRIVE..	140 - 30
3E23	SIDEHILL FEEDER HOUSE OUTER CLOSURE FRAME.....	100 - 32	4G19	SPRING, CROSS AUGER BEARING PLATE, L.H.	150 - 30
3F17	SIDEHILL FEEDER HOUSE PADDLE SHAFT.....	100 - 50	2E2	SPRING, PARKING BRAKE PEDAL.....	60 - 2
2C6	SIDEHILL FINAL DRIVE INNER CASTING AND PIVOT TUBE	50 - 28	3J13	SPRING, TAILINGS ELEVATOR MATERIAL SENSOR	125 - 22
2C4	SIDEHILL FINAL DRIVE SHAFTS	50 - 26	3I19	SPROCKET, CLEAN GRAIN LOWER	125 - 4
4C21	SIDEHILL LEVELING CABLES, SHEAVES AND BRACKETS (LOWER FRONT).....	135 - 12	4G19	SPROCKET, CROSS AUGER BEARING PLATE, L.H.	150 - 30
4C11	SIDEHILL LEVELING SOLENOID VALVE AND FLOW DIVIDER.....	135 - 2	3F15	SPROCKET, DRIVE CHAIN IDLERS (SIDEHILL)	100 - 48
3G3	SIDEHILL, LEVELING CABLES, SHEAVES AND BRACKETS, FEEDER HOUSE (UPPER REAR)	100 - 62	4F24	SPROCKET, DRIVE, VERTICAL AUGER LOWER GEARCASE	150 - 10
4E17	SIEVE AND CHAFFER DRIVE, CONVEYOR AUGERS AND STRAW WALKER.....	140 - 38	3F13	SPROCKET, FEEDER HOUSE CONVEYOR.....	100 - 46
3I9	SIEVE ELEMENT.....	120 - 18	4G21	SPROCKET, GRAIN TANK CROSS AUGERS.....	150 - 32
3I11	SIEVE FRAME	120 - 20	3F17	SPROCKET, LOWER SHAFT, FEEDER HOUSE (SIDEHILL).....	100 - 50
2G16	SINGLE ACCUMULATOR, ONE HALF GALLON.....	70 - 32	3J15	SPROCKET, LOWER TAILINGS AUGER.....	125 - 24
2F23	SIX STACK SOLENOID CONTROL VALVE MODULE ASSEMBLY & MOUNTINGS.....	70 - 14	3J14	SPROCKET, TAILINGS ELEVATOR CONVEYOR.....	125 - 23
2E10	SLAVE CYLINDER, BRAKE	60 - 10	4B15	SPROCKET, TRANSPORT, CHOPPER	130 - 12
3F3	SLIP CLUTCH, FEEDER HOUSE FRONT SHAFT (SIDEHILL).....	100 - 36	4H1	SPROCKET, UNLOADING AUGER COUNTERSHAFT ..	150 - 38
4B22	SMV (SLOW MOVING VEHICLE) SIGN.....	130 - 20	3I17	SPROCKET, UPPER CLEAN GRAIN ELEVATOR.....	125 - 2
2G5	SOLENOID CONTROL RELIEF VALVE MODULE.....	70 - 20	3J19	SPROCKET, UPPER TAILINGS AUGER	125 - 28
2G10	SOLENOID CONTROL VALVE BI-DIRECTIONAL MODULE, REEL LIFT AND CYLINDER SPEED	70 - 26	4F9	SPROCKET, UPPER TAILINGS AUGER DRIVE.....	140 - 54
2F22	SOLENOID CONTROL VALVE BRACKETS.....	70 - 12	1E18	STAINER, FUEL.....	30 - 14
2G1	SOLENOID CONTROL VALVE MODULE ASSEMBLY FIVE STACK	70 - 16	1B18	START RELAY, ENGINE.....	20 - 16
2G3	SOLENOID CONTROL VALVE MODULE ASSEMBLY, FOUR STACK	70 - 18	1H7	STARTER	40 - 60
2F23	SOLENOID CONTROL VALVE MODULE, SIX STACK ASSEMBLY & MOUNTINGS	70 - 14	1H7	STARTER SWITCH AND WIRING HARNESS.....	40 - 60
2G8	SOLENOID CONTROL VALVE UNBALANCED LOAD MODULE (HEADER LIFT MODULE)	70 - 24	1E16	STARTING AID, COLD WEATHER.....	30 - 12
			1E17	STARTING FITTINGS, ETHER	30 - 13
			1E16	STARTING FLUID	30 - 12
			3C5	STARTING SWITCH	90 - 30
			2D6	STEERING ARM, CAM LOBE MOTOR (STEERABLE MOTOR).....	50 - 56
			3C3	STEERING COLUMN (LOWER)	90 - 28
			3C5	STEERING COLUMN (UPPER)	90 - 30
			1G7	STEERING COLUMN WIRING HARNESS.....	40 - 34
			2F1	STEERING CYLINDER	60 - 26
			2E18	STEERING HOSES AND LINES, FRONT	60 - 18

ALPHABETICAL INDEX - CONTINUED

GRID		PAGE	GRID		PAGE
2E20	STEERING HOSES AND LINES, L.H. SIDE	60 - 20	2E2	SWITCH, PARKING BRAKE PEDAL	60 - 2
2E16	STEERING HOSES, UPPER	60 - 16	1H19	SWITCH, SENSING, STRAW WALKER PLUGGING	40 - 73
2E24	STEERING LINES AND HOSES, REAR	60 - 24	1H7	SWITCH, STARTER	40 - 60
2E22	STEERING LINES, R.H. SIDE	60 - 22	3J11	SWITCH, TAILINGS ELEVATOR LIGHT	125 - 20
2E14	STEERING PUMP	60 - 14	4G9	SWIVEL SUPPORT AND BRACES, AUGER	150 - 20
3C3	STEERING PUMP - STEERING SHAFT	90 - 28	4G9	SWIVEL, AUGER SUPPORT	150 - 20
2F7	STEERING TIE RODS, ADJUSTABLE REAR AXLE	60 - 33	4G7	SWIVEL, HORIZONTAL UNLOADING AUGER	150 - 18
2F6	STEERING TIE RODS, FIXED REAR AXLE	60 - 32			
3C5	STEERING WHEEL	90 - 30		T	
3C20	STEP, CAB LANDING L.H.	90 - 46			
3B4	STEP, CAB SUPPORTS	90 - 2			
2J16	STEP, FUEL TANK	80 - 36	3C11	TACHOMETER DISPLAY, R.H. CORNERPOST	90 - 36
3G13	STONE TRAP, DOOR AND FEEDER HOUSE/ SEPARATOR SEAL	110 - 2	4B5	TAIL BOARD SUPPORTS AND VANES	130 - 2
1C10	STORAGE KIT, OFF-SEASON	25 - 3	4B18	TAILBOARD ARMS, CHOP-TO-BALE	130 - 16
1H5	STRAP, ALTERNATOR ADJUSTING	40 - 58	3J19	TAILINGS AUGER PADDLE ASSEMBLY, UPPER	125 - 28
1D5	STRAPS, ENGINE LIFT	25 - 24	3J14	TAILINGS ELEVATOR CONVEYOR CHAIN	125 - 23
4F7	STRAW CHOPPER DRIVE SHIELDS	140 - 52	3J14	TAILINGS ELEVATOR CONVEYOR SPROCKETS AND BEARINGS	125 - 23
4F5	STRAW CHOPPER DRIVES (REAR)	140 - 50	3J11	TAILINGS ELEVATOR HOUSING	125 - 20
4B15	STRAW CHOPPER SENSOR	130 - 12	3J13	TAILINGS ELEVATOR MATERIAL SENSOR	125 - 22
4B24	STRAW SPREADER	130 - 22	3J5	TAILINGS SHIELD, REAR LEFT SIDE	125 - 14
3H13	STRAW SPREADER DRIVE, STRAW WALKER CRANK	110 - 26	3J7	TAILINGS SHIELD, UPPER REAR	125 - 16
4B22	STRAW SPREADER MOUNTING AND GUARD	130 - 20	1B12	TANK, COOLANT RECOVERY	20 - 10
1H19	STRAW WALKER (PLUGGING) SENSING SWITCH	40 - 73	1E18	TANK, FUEL	30 - 14
3H11	STRAW WALKER BEARING KIT	110 - 24	4F16	TANK, GRAIN	150 - 2
3H13	STRAW WALKER CRANKS, STRAW SPREADER DRIVE AND SHIELD	110 - 26	4F18	TANK, GRAIN	150 - 4
4E15	STRAW WALKER DRIVE GEARCASE	140 - 36	4F20	TANK, GRAIN AND CURTAINS	150 - 6
4E17	STRAW WALKER, CONVEYOR AUGERS, SIEVE AND CHAFFER DRIVE	140 - 38	4H4	TANK, GRAIN, SAMPLING TROUGH	150 - 41
3H9	STRAW WALKERS	110 - 22	1E8	TEMPERATURE SENSOR	30 - 4
4H3	STRAWCHOPPER TOP BELT GUIDE (TRAP)	150 - 40	1C2	TEMPERATURE SENSOR, ENGINE	20 - 25
3G17	STRIPPER, CYLINDER DOOR (CORN)	110 - 6	1D21	TEMPERATURE SENSOR, INTAKE MANIFOLD	25 - 43
3B11	SUN VISOR	90 - 10	4I21	TENSION CYLINDER INDIVIDUAL REPAIR PARTS	160 - 28
1F12	SUPPLEMENTARY TERMINALS AND CONNECTORS	40 - 10	4I5	TENSION CYLINDER AND ATTACHING HARDWARE ..	160 - 10
3H16	SUPPLY AUGER CLEANOUT DOOR AND HANDLE	120 - 1	4I19	TENSION CYLINDER HYDRAULICS	160 - 26
4G9	SUPPORT AND BRACES, AUGER	150 - 20	1H5	TENSIONER, ALTERNATOR BELT	40 - 58
4D24	SUPPORT AND VARIABLE SHEAVE, PRIMARY COUNTERSHAFT	140 - 18	1F10	TERMINAL AND WIRING KIT	40 - 8
2E11	SUPPORT BRACKET, BRAKE CABLE	60 - 11	1F4	TERMINALS, ELECTRICAL, WEATHERPACK	40 - 2
2C7	SUPPORT SHIELD, FINAL DRIVE (SIDEHILL)	50 - 29	1F12	TERMINALS, SUPPLEMENTARY, AND CONNECTORS ..	40 - 10
1B19	SUPPORT, AIR CONDITIONER COMPRESSOR	20 - 17	1C10	TEST KIT, COOLANT SCAN	25 - 3
1H5	SUPPORT, ALTERNATOR	40 - 58	1D18	THERMOSTAT	25 - 40
3B4	SUPPORT, CAB	90 - 2	1D18	THERMOSTAT GASKET	25 - 40
4C9	SUPPORT, CHAFF SPREADER	130 - 32	1D18	THERMOSTAT HOUSING, FRONT	25 - 40
1C1	SUPPORT, ENGINE, REAR	20 - 24	3G12	THRESHING CYLINDER COVER	110 - 1
1E18	SUPPORT, FUEL TANK	30 - 14	3G21	THRESHING CYLINDER, RASP BAR	110 - 10
4C19	SUPPORT, HEADER LIFT (SIDEHILL)	135 - 10	3G23	THRESHING CYLINDER, SPIKE TOOTH	110 - 12
4B5	SUPPORT, TAIL BOARD AND VANES	130 - 2	1C21	THRUST BEARING (8400)	25 - 14
3F20	SUPPORT, UPPER COUNTERSHAFT, FEEDER HOUSE, VARIABLE DRIVE	100 - 54	1C21	THRUST WASHER (8400)	25 - 14
4I3	SUSPENSION, AIR	160 - 8	3B9	TIE BAND, EMERGENCY EXIT HANDLE	90 - 8
3B19	SUSPENSION, AIR SEAT	90 - 18	2F1	TIE ROD END, STEERING CYLINDER	60 - 26
2C21	SWASHPLATE, HYDROSTATIC DRIVE MOTOR	50 - 44	2F7	TIE ROD, STEERING, ADJUSTABLE REAR AXLE	60 - 33
2C16	SWASHPLATE, HYDROSTATIC PUMP	50 - 38	2F6	TIE ROD, STEERING, FIXED REAR AXLE	60 - 32
3D10	SWITCH, AIR CONDITIONER	95 - 10	4E19	TIGHTENER AND BEATER DRIVE SHEAVES	140 - 40
3B21	SWITCH, AIR SEAT	90 - 20	4E5	TIGHTENER, CYLINDER DRIVE, DUAL-RANGE	140 - 26
3B24	SWITCH, ARMREST ROCKER	90 - 24	4F11	TIGHTENER, DRIVE CHAIN, UPPER TAILINGS	140 - 56
3C1	SWITCH, ARMREST ROCKER	90 - 26	3E5	TIGHTENER, DRIVE, VARIABLE SPEED	100 - 14
3B11	SWITCH, CAB ROOF LIGHT	90 - 10	3F9	TIGHTENER, FEEDER CONVEYOR DRIVE CHAIN	100 - 42
4D11	SWITCH, ENGINE GEARCASE PRESSURE REGULATOR	140 - 4	3E7	TIGHTENER, FEEDER HOUSE DRIVE	100 - 16
4G11	SWITCH, HORIZONTAL UNLOADING AUGER	150 - 22	3F11	TIGHTENER, GUIDES AND FEEDER CONVEYOR DRIVE CHAIN (SIDEHILL)	100 - 44
2C18	SWITCH, HYDROSTATIC DRIVE CHARGE PUMP	50 - 40	3J15	TIGHTENER, LOWER TAILINGS AUGER	125 - 24
3C5	SWITCH, IGNITION, HORN, ETHER, STARTING, TURN SIGNAL	90 - 30	3J17	TIGHTENER, LOWER TAILINGS AUGER DRIVE	125 - 26
3C13	SWITCH, OVERHEAD CONSOLE	90 - 38	2H21	TILT CYLINDER HOSES AND FITTINGS, CONTOUR MASTER	70 - 62
			2H20	TILT CYLINDER, CONTOUR MASTER	70 - 61
			1C24	TIMING GEAR COVER AND GASKET	25 - 17
			4J17	TIRE CLEARANCE LABEL	170 - 20

ALPHABETICAL INDEX - CONTINUED

GRID		PAGE	GRID		PAGE
4J17	TIRE PRESSURE LABEL	170 - 20	4G7	UNLOADING AUGER SWIVEL, HORIZONTAL	150 - 18
2B15	TIRE STEM (TUBELESS TIRES)	50 - 11	4G1	UNLOADING AUGER, VERTICAL	150 - 12
2J20	TOOL BOX	80 - 40	4G24	UNLOADING DRIVE CYLINDER, GRAIN TANK	150 - 36
1C9	TORQ-GARD PLUS-50, ENGINE OIL.....	25 - 2	1B8	UPHOLSTERY, ACOUSTICAL, RADIATOR SHELL	20 - 6
4H22	TRACK FRAME MOUNTING.....	160 - 2	3I17	UPPER CLEAN GRAIN ELEVATOR SHAFT, SPROCKET AND SHEAVE.....	125 - 2
4H10	TRANSDUCER MOUNTING BRACKET YIELD MAPPING	155 - 6	3I23	UPPER CLEAN GRAIN LOADING AUGER HOUSING ..	125 - 8
4H10	TRANSDUCER, YIELD MAPPING	155 - 6	3J7	UPPER REAR TAILINGS SHIELD	125 - 16
4I11	TRANSFER GEARCASE	160 - 18	3F1	UPPER SHAFT, FEEDER HOUSE	100 - 34
1E11	TRANSFER PUMP, FUEL	30 - 7	2E16	UPPER STEERING HOSES	60 - 16
4H18	TRANSFORMER, DATASTORE	155 - 14	4F9	UPPER TAILINGS AUGER DRIVE	140 - 54
3I23	TRANSITION, AUGER HOUSING.....	125 - 8	3J19	UPPER TAILINGS AUGER HOUSING	125 - 28
2B16	TRANSMISSION.....	50 - 12	4F9	UPPER TAILINGS AUGER, DRIVE AND SHIELD.....	140 - 54
2B18	TRANSMISSION AND DIFFERENTIAL HOUSING COVER AND SHIFTER CAM	50 - 14	4F11	UPPER TAILINGS DRIVE CHAIN TIGHTENER.....	140 - 56
2B17	TRANSMISSION AND DIFFERENTIAL HOUSING, SHIFTER FORKS	50 - 13	2D11	UPPER, HYDROSTATIC DRIVE OIL HOSE	50 - 62
2B23	TRANSMISSION DIFFERENTIAL	50 - 20			
3C9	TRANSMISSION GEARSHIFT LEVER AND LINKAGE.....	90 - 34		V	
2B19	TRANSMISSION INPUT SHAFT, GEARS AND BEARINGS.....	50 - 16	2C23	VALVE BLOCK.....	50 - 46
2B21	TRANSMISSION PINION SHAFT, GEARS AND BEARINGS.....	50 - 18	2G7	VALVE BLOCK AND HYDRAULIC LINE, ACTIVE HEADER HEIGHT CONTROL	70 - 22
1B17	TRANSMISSION, ENGINE COUPLING WITH HUB.....	20 - 15	2F23	VALVE MODULE, SIX STACK, SOLENOID	70 - 14
4B15	TRANSPORT SPROCKETS, CHOPPER	130 - 12	1D1	VALVE SEAT INSERTS.....	25 - 20
1I4	TRANSPORT WARNING LIGHTS.....	40 - 83	1C10	VALVE STEM LUBRICANT	25 - 3
3G13	TRAP, STONE	110 - 2	4I3	VALVE STEM, TIRE, AIR SUSPENSION.....	160 - 8
3B17	TRASH CONTAINER	90 - 16	2I1	VALVE, CHAFF SPREADER.....	70 - 68
1H22	TRAY, BATTERY	40 - 76	1E22	VALVE, CHECK, AIR CLEANER.....	30 - 18
4B7	TRI-ROD CHOPPER	130 - 4	3D13	VALVE, COMPRESSOR (REFRIGERANT)	95 - 13
3B9	TRIM PANELS, CAB INTERIOR	90 - 8	2D7	VALVE, CONTROL, CAM LOBE MOTOR	50 - 58
1D16	TUBE SEAL, WATER PUMP.....	25 - 38	4D11	VALVE, ENGINE GEARCASE PRESSURE REGULATOR	140 - 4
1D15	TUBE, ENGINE OIL DIPSTICK.....	25 - 36	4D3	VALVE, FLOW DIVIDER (SIDEHILL)	135 - 18
1D18	TUBE, THERMOSTAT HOUSING.....	25 - 40	1E14	VALVE, FUEL CHECK.....	30 - 10
1D10	TUBES, OIL COOLER	25 - 30	2G6	VALVE, HEADER CONTROL	70 - 21
1D9	TUBES, OIL COOLER BYPASS	25 - 29	2C19	VALVE, HYDROSTATIC DRIVE DISPLACEMENT CONTROL.....	50 - 42
1D22	TURBOCHARGER	25 - 44	4D4	VALVE, LEVELING	135 - 19
1D22	TURBOCHARGER OIL LINES	25 - 44	2C23	VALVE, MANIFOLD	50 - 46
3C5	TURN SIGNAL SWITCH	90 - 30	1D11	VALVE, OIL FILTER BYPASS.....	25 - 32
			1D13	VALVE, OIL PAN DRAIN.....	25 - 34
	U		1D11	VALVE, OIL PRESSURE REGULATING	25 - 32
2D21	U-BOLT, LINES AND HOSES, 4-WHEEL DRIVE	50 - 72	1D10	VALVE, OIL PRESSURE REGULATING, OIL COOLER	25 - 30
4J24	UKRAINIAN DECALS AND LABELS.....	170 - 27	1B12	VALVE, RADIATOR DRAIN.....	20 - 10
1C19	UNDERSIZE CRANKSHAFT KIT (CONNECTING ROD JOURNAL)	25 - 12	2H3	VALVE, REEL DRIVE FLOW CONTROL	70 - 44
1C20	UNDERSIZE MAIN BEARING CRANKSHAFT AND BEARING KIT	25 - 13	2G1	VALVE, SOLENOID CONTROL MODULE ASSEMBLY FIVE STACK	70 - 16
2C4	UNIVERSAL DRIVESHAFT	50 - 26	2G3	VALVE, SOLENOID CONTROL MODULE ASSEMBLY, FOUR STACK	70 - 18
3G9	UNIVERSAL JOINT YOKE, HEADER DRIVE SHAFT ...	100 - 68	2G5	VALVE, SOLENOID CONTROL RELIEF	70 - 20
2C4	UNIVERSAL JOINT, FINAL DRIVE SHAFT (SIDEHILL).....	50 - 26	2G8	VALVE, SOLENOID CONTROL, HEADER LIFT MODULE	70 - 24
4D19	UNIVERSAL JOINT, PRIMARY COUNTERSHAFT GEARCASE	140 - 12	2G12	VALVE, SOLENOID, AUGER SWING.....	70 - 28
3C3	UNIVERSAL JOINT, STEERING COLUMN	90 - 28	2G10	VALVE, SOLENOID, CYLINDER SPEED AND REEL LIFT MODULE	70 - 26
2G5	UNLOAD MODULE, RELIEF VALVE	70 - 20	4C11	VALVE, SOLENOID, LEVELING (SIDEHILL)	135 - 2
4H1	UNLOADING AUGER COUNTERSHAFT DRIVE.....	150 - 38	2G12	VALVE, SOLENOID, REEL FORE/AFT	70 - 28
4H3	UNLOADING AUGER DRIVE BELT GUIDE.....	150 - 40	3D8	VALVE, WATER, AIR CONDITIONING.....	95 - 8
4G13	UNLOADING AUGER HOUSING, HORIZONTAL.....	150 - 24	4B5	VANES, TAIL BOARD	130 - 2
4G15	UNLOADING AUGER HOUSING, HORIZONTAL (EXPORT)	150 - 26	3F19	VARIABLE DRIVE HYDRAULIC HOSE, FEEDER HOUSE.....	100 - 52
1G17	UNLOADING AUGER LIGHT	40 - 44	3D19	VARIABLE DRIVE SHEAVE, FRONT	100 - 2
4G5	UNLOADING AUGER SWING HYDRAULIC CYLINDER	150 - 16	3F20	VARIABLE DRIVE, FEEDER HOUSE, UPPER COUNTERSHAFT AND SUPPORTS	100 - 54
4G3	UNLOADING AUGER SWING HYDRAULIC CYLINDER LINES AND HOSES	150 - 14	4D24	VARIABLE SHEAVE PRIMARY COUNTERSHAFT	140 - 18
			3E5	VARIABLE SPEED DRIVE TIGHTENER	100 - 14

ALPHABETICAL INDEX - CONTINUED

<i>GRID</i>		<i>PAGE</i>	<i>GRID</i>		<i>PAGE</i>
4F24	VERTICAL AUGER LOWER GEARCASE	150 - 10	1F23	WIRING HARNESS, R.H. MAIN W/O GREENSTAR	40 - 24
4G1	VERTICAL UNLOADING AUGER	150 - 12	1G1	WIRING HARNESS, R.H. MAIN, W/GREENSTAR.....	40 - 28
	W		1H7	WIRING HARNESS, STARTER.....	40 - 60
3H9	WALKER, STRAW	110 - 22	1G7	WIRING HARNESS, STEERING COLUMN	40 - 34
3C13	WARNING DISPLAY, OVERHEAD CONSOLE	90 - 38	1G17	WIRING HARNESS, UNLOADING AUGER LIGHT	40 - 44
1C21	WASHER, THRUST (8400)	25 - 14	1F10	WIRING STRIPPING TOOL.....	40 - 8
1G11	WASHER, WINDSHIELD	40 - 38	1F12	WIRING, SUPPLEMENTARY TERMINALS AND CONNECTORS	40 - 10
1D18	WATER MANIFOLD, FRONT	25 - 40		Y	
1D16	WATER PUMP	25 - 38	2D4	YOKE, PIVOTS, AND CAPS (STEERABLE MOTOR)	50 - 54
1D16	WATER PUMP OIL SEAL AND GASKET	25 - 38			
1D16	WATER PUMP SEAL KIT	25 - 38			
3D8	WATER VALVE ASSEMBLY, AIR CONDITIONING.....	95 - 8			
3E21	WEAR PLATES, FEEDER HOUSE, CONTOUR MASTER	100 - 30			
2J12	WEATHER STRIP, REAR HOOD	80 - 32			
1F4	WEATHERPACK CONNECTORS	40 - 2			
1F4	WEATHERPACK TERMINALS	40 - 2			
2B14	WEIGHT, REAR WHEEL	50 - 10			
2F20	WET CLUTCH OIL COOLER LINES AND HOSES	70 - 10			
4I10	WHEEL ASSEMBLY, BOGEY	160 - 16			
4I7	WHEEL ASSEMBLY, IDLER	160 - 12			
4I8	WHEEL AXLES, BOGEY	160 - 14			
4J17	WHEEL BOLT TORQUE LABEL	170 - 20			
2B11	WHEEL, DRIVE	50 - 7			
4I17	WHEEL, DRIVE AND BELT	160 - 24			
2B12	WHEEL, HIGH FLOATATION DRIVE	50 - 8			
2B14	WHEEL, REAR.....	50 - 10			
2B15	WHEEL, REAR (4-WHEEL DRIVE/CAM LOBE MOTOR).....	50 - 11			
3C5	WHEEL, STEERING	90 - 30			
2B13	WHEEL, WIDE SPACED DUEL	50 - 9			
2B13	WIDE-SPACED DUEL WHEELS	50 - 9			
3B13	WINDOW, CAB	90 - 12			
4F16	WINDOW, GRAIN TANK	150 - 2			
1G11	WINDSHIELD WASHER	40 - 38			
1G13	WINDSHIELD WIPER	40 - 40			
3B13	WINDSHIELD, CAB	90 - 12			
1G13	WIPER, WINDSHIELD	40 - 40			
1F10	WIRING AND TERMINAL KIT	40 - 8			
1F10	WIRING CRIMPING TOOL	40 - 8			
2G20	WIRING HARNESS, ACCUMULATOR PRESSURE GAUGE.....	70 - 36			
1G9	WIRING HARNESS, AIR CONDITIONING	40 - 36			
3B19	WIRING HARNESS, AIR SEAT.....	90 - 18			
1G5	WIRING HARNESS, ARMREST	40 - 32			
1F13	WIRING HARNESS, CONVENIENCE OUTLET	40 - 12			
4D23	WIRING HARNESS, ELECTROMAGNETIC CLUTCH	140 - 16			
1F15	WIRING HARNESS, ENGINE	40 - 14			
1G16	WIRING HARNESS, GRAIN LOSS MONITOR.....	40 - 43			
1G18	WIRING HARNESS, GRAIN TANK.....	40 - 45			
1G19	WIRING HARNESS, GRAIN TANK FULL BIN SENSOR	40 - 46			
1G15	WIRING HARNESS, HARVESTRAK.....	40 - 42			
1F18	WIRING HARNESS, L.H. MAIN	40 - 18			
4D5	WIRING HARNESS, LEVELING (SIDEHILL)	135 - 20			
1G3	WIRING HARNESS, MAIN CAB	40 - 30			
1F20	WIRING HARNESS, MAIN L.H.	40 - 20			
1F17	WIRING HARNESS, MAIN, L.H.	40 - 16			
3C11	WIRING HARNESS, R.H. CORNERPOST PANEL	90 - 36			
1F25	WIRING HARNESS, R.H. MAIN W/GREENSTAR.....	40 - 26			
1F22	WIRING HARNESS, R.H. MAIN W/O GREENSTAR	40 - 22			

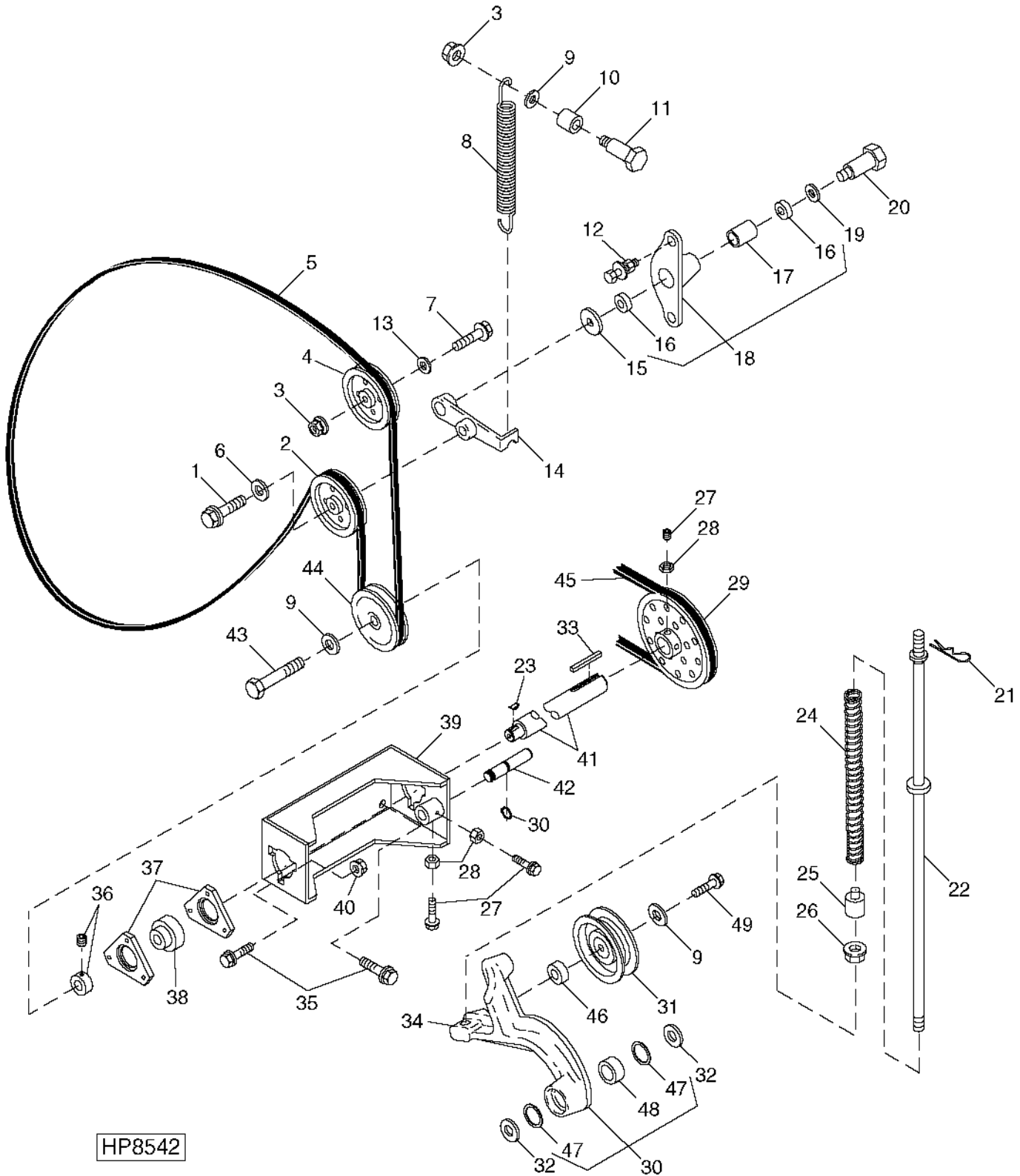
MEMORANDA

MEMORANDA

1B4

ROTARY SCREEN DRIVE AND IDLER ARMS

HP8542 -UN-08JUL99



HP8542

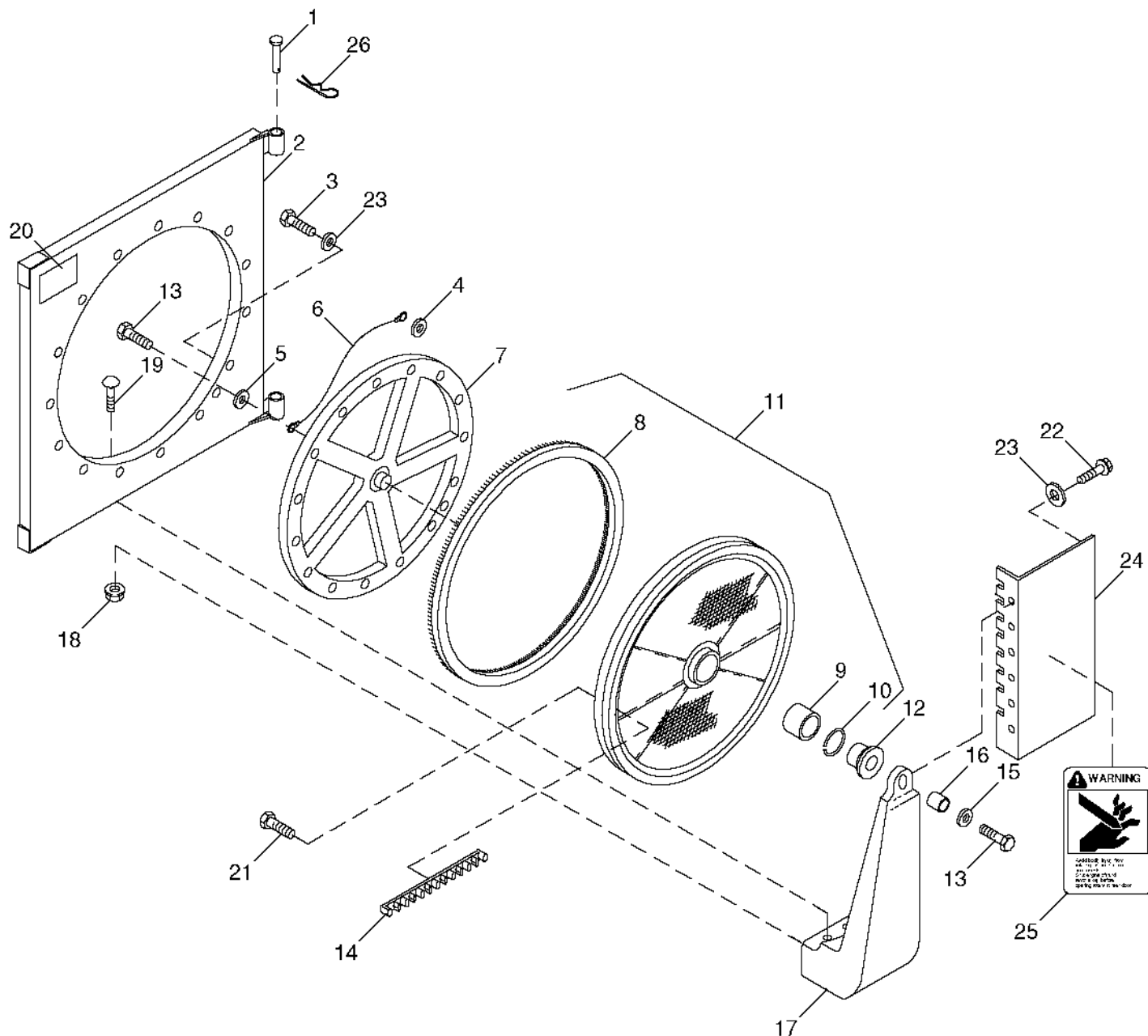
ROTARY SCREEN DRIVE AND IDLER ARMS - CONTINUED

KEY	PART NO.	PART NAME	QTY	SERIAL NO.	0 H	REMARKS
					9	
					5	
					9	
					5	
					0	
					5	
					S	
					0	
					H	
1	19M7867	SCREW	1		X X	M8 X 25
2	AH140119	SHEAVE	1		X X	
3	14M7298	FLANGE NUT	10		X X	M8
4	AH135035	SHEAVE	1		X X	
5	H145158	BELT	1		X X	
6	24M7207	WASHER	1		X X	8.400 X 24 X 2 MM
7	03M7223	BOLT	1		X X	M8 X 60
8	H164808	SPRING	1		X X	
9	H158845	WASHER	3		X X	8.330 X 28.580 X 2.640 MM
10	28H1720	BUSHING	1		X X	0.423" X 0.675" X 27/32"
11	H140715	BOLT	1		X X	M8 X 40
12	19M7867	SCREW	2		X X	M8 X 25
	24H1296	WASHER	2		X X	11/32" X 1-3/8" X 0.134"
	14M7298	FLANGE NUT	2		X X	M8
13	24H1850	WASHER	1		X X	17/32" X 1-1/4" X 0.180"
14	H146064	PITMAN ARM	1		X X	
15	24H1342	WASHER	1		X X	17/32" X 1-1/4" X 0.036"
16	AH10888	SEAL	2		X X	
17	R36119	BUSHING	1		X X	
18	AH140170	SUPPORT	1		X X	
19	24H1341	WASHER	1		X X	17/32" X 15/16" X 0.060"
20	M111701	BOLT	1		X X	M8 X 51
21	J16931	SPRING LOCKING PIN	1		X X	
22	H131949	ROD	1		X X	
23	26M7002	SHAFT KEY	1		X X	
24	H131948	SPRING	1		X X	
25	H134214	GUIDE	1		X X	
26	14M7296	FLANGE NUT	1		X X	M10
27	A50744	BOLT	4		X X	M8 X 25
28	14M7273	NUT	4		X X	M8
29	AH115639	SHEAVE	1		X X	
30	40M7259	SNAP RING	2		X X	
31	AH140497	SHEAVE	1		X X	
32	24H1448	WASHER	1		X X	1-1/32" X 1-1/2" X 0.120"
33	49M4100	SHAFT KEY	1		X X	
34	AH159992	ARM	1		X X	
35	19M7865	SCREW	6		X X	M8 X 16
36	AZ10044	ECCENTRIC LOCKING COLLAR	2		X X	
37	H103264	PRESSED FLANGED HOUSING	4		X X	
38	JD39102	BALL BEARING	2		X X	
39	AH159991	SUPPORT	1		X X	
40	14M7298	FLANGE NUT	6		X X	M8
41	H168256	SHAFT	1		X X	
42	H166437	PIN	1		X X	
43	19M7865	SCREW	1		X X	M8 X 16
44	H159224	SHEAVE	2		X X	
45	H160406	BELT	1		X X	
46	M90451	WASHER	1		X X	9 X 25 X 9 MM
47	AA5607R	SEAL	2		X X	
48	H99147	BUSHING	1		X X	(SUB H171061)
	H171061	BEARING	1		X X	
49	19M8318	SCREW	1		X X	M8 X 45

1B6

ROTARY SCREEN DOOR AND SCREEN

HP8059 -UN-08JUL99



HP8059

1B7

ENGINE ACCESSORIES

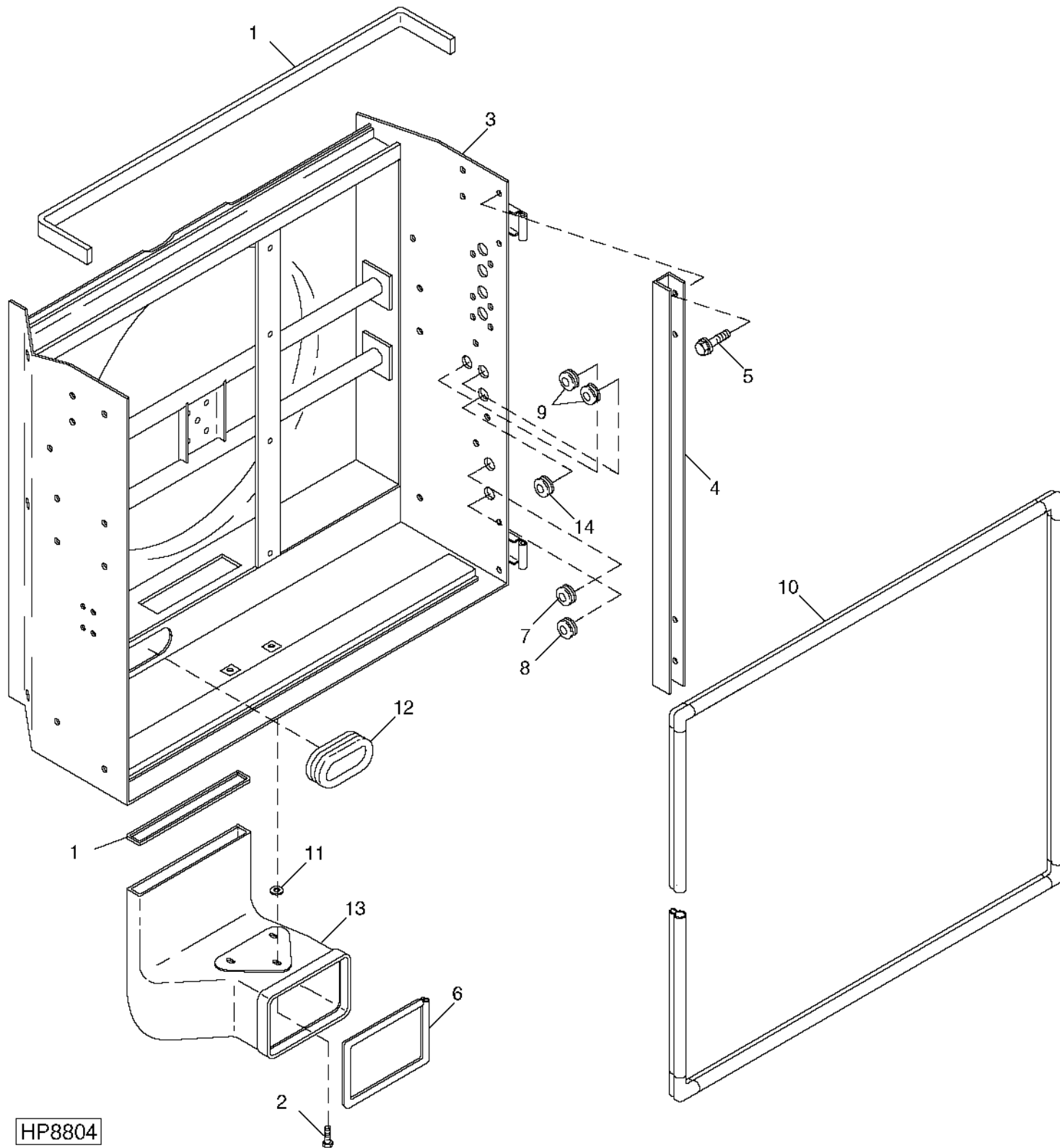
ROTARY SCREEN DOOR AND SCREEN - CONTINUED

KEY	PART NO.	PART NAME	QTY	SERIAL NO.	0 H	REMARKS
					9	
					5	
					9	
					5	
					0	
					5	
					S	
					0	
					H	
1	H172337	PIN	2		X X	
2	AH140118	DOOR	1		X X	
3	19M7865	SCREW	15		X X	M8 X 16
4	12M7122	LOCK WASHER	1		X X	8.400 MM
5	24M7028	WASHER	1		X X	10.500 X 20 X 2 MM
6	AH138257	WIRING LEAD	1		X X	
7	AH134642	HUB	1		X X	
8	AH141849	BRUSH	1		X X	
9	AH109788	ROLLER BEARING	1		X X	
10	H83285	SNAP RING	1		X X	
11	AH141671	SCREEN	1		X X	
12	H140380	HUB	1		X X	
13	19M8162	CAP SCREW	2		X X	M10 X 40
14	AH142527	RAKE	12		X X	
15	24M7180	WASHER	1		X X	13 X 37 X 3 MM
16	28H1720	BUSHING	1		X X	0.423" X 0.675" X 27/32"
17	AH141808	AIR DUCT	1		X X	
18	14M7298	FLANGE NUT	2		X X	M8
19	03M7183	BOLT	2		X X	M8 X 16
20	H144692	LABEL	1		X X	
21	37H143	SCREW	16		X X	
22	19M7774	SCREW	6		X X	M6 X 12
23	24M7207	WASHER	7		X X	8.400 X 24 X 2 MM
24	H169733	KNIFE	1		X X	
25	H149088	DECAL	1		X X	
26	J16931	SPRING LOCKING PIN	2		X X	

1B8

RADIATOR SHELL AND SEALS

HP8804 -UN-08JUL99



HP8804

1B9

ENGINE ACCESSORIES

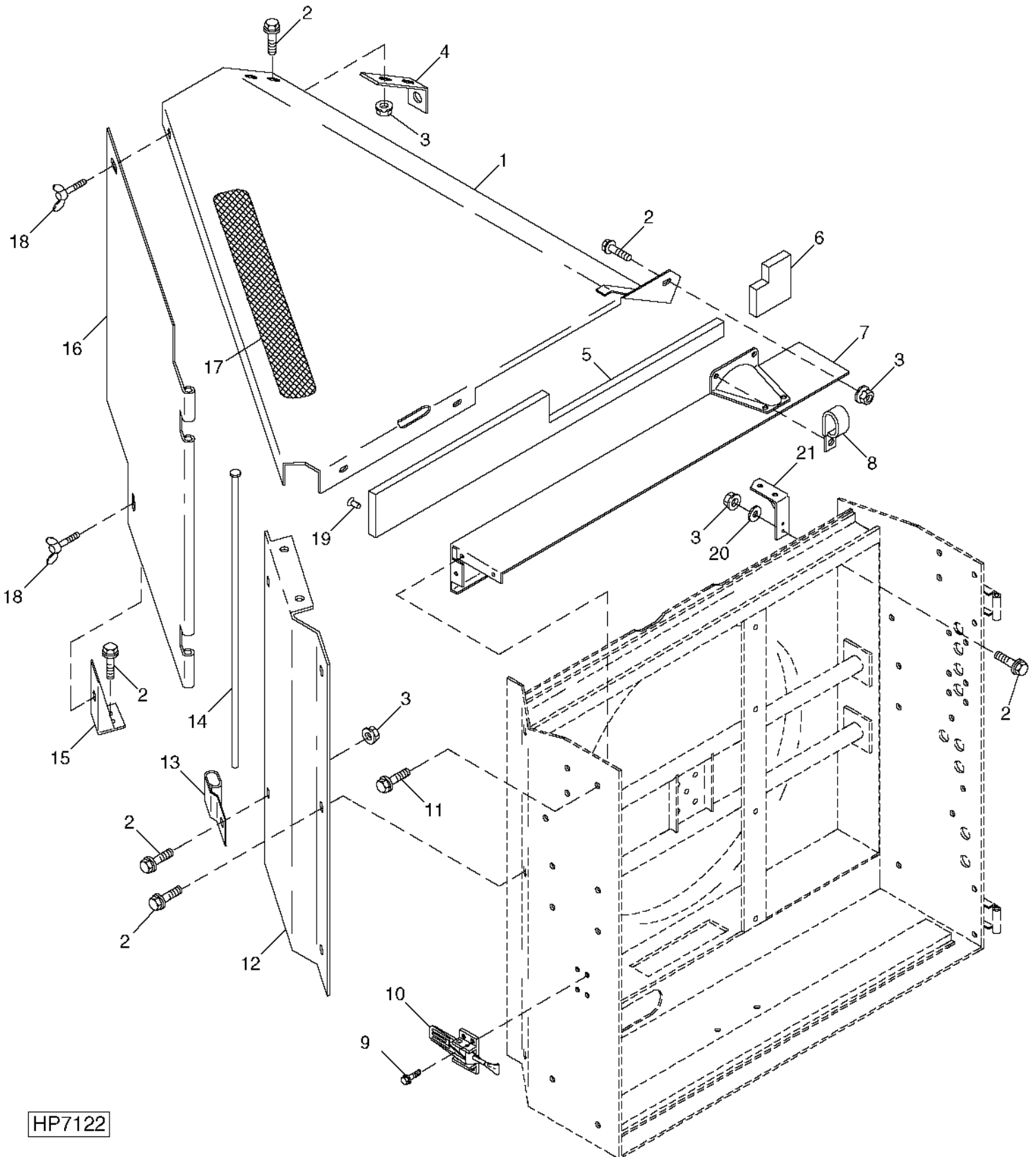
RADIATOR SHELL AND SEALS - CONTINUED

KEY	PART NO.	PART NAME	QTY	SERIAL NO.	REMARKS
					9 5 9 5 5 0 5 S 0 H
1	SEAL	4	X X	(CUT FROM H86775) TWO PIECES AT 1440 MM, ONE PIECE AT 135 MM. ONE PIECE AT 765 MM.
2	19M7864	SCREW	3	X X	M8 X 12
3	AH161455	FRAME	1	X X	
4	H146260	CHANNEL	1	X X	
5	19M7865	SCREW	1	X X	M8 X 16
	14M7298	FLANGE NUT	1	X X	M8
	24M7207	WASHER	2	X X	8.400 X 24 X 2 MM
6	AH131965	ISOLATOR	1	X X	
7	R66718	GROMMET	1	X X	
8	R71351	GROMMET	1	X X	A/C CONDENSER HOSE
9	R71351	GROMMET	2	X X	WITH FUEL COOLER
	N271047	GROMMET	2	X X	W/O FUEL COOLER
10	AH140967	ACOUSTICAL UPHOLSTERY	1	X X	PRECUT
11	24M7207	WASHER	3	X X	8.400 X 24 X 2 MM
12	H128502	SEAL	1	X X	
13	H168083	AIR DUCT	1	X X	
14	R114825	GROMMET	1	X X	A/C PRESSURE SWITCH WIRE

1B10

RADIATOR SHELL AND SEALS

HP7122 -UN-01JUL99



HP7122

1B11

ENGINE ACCESSORIES

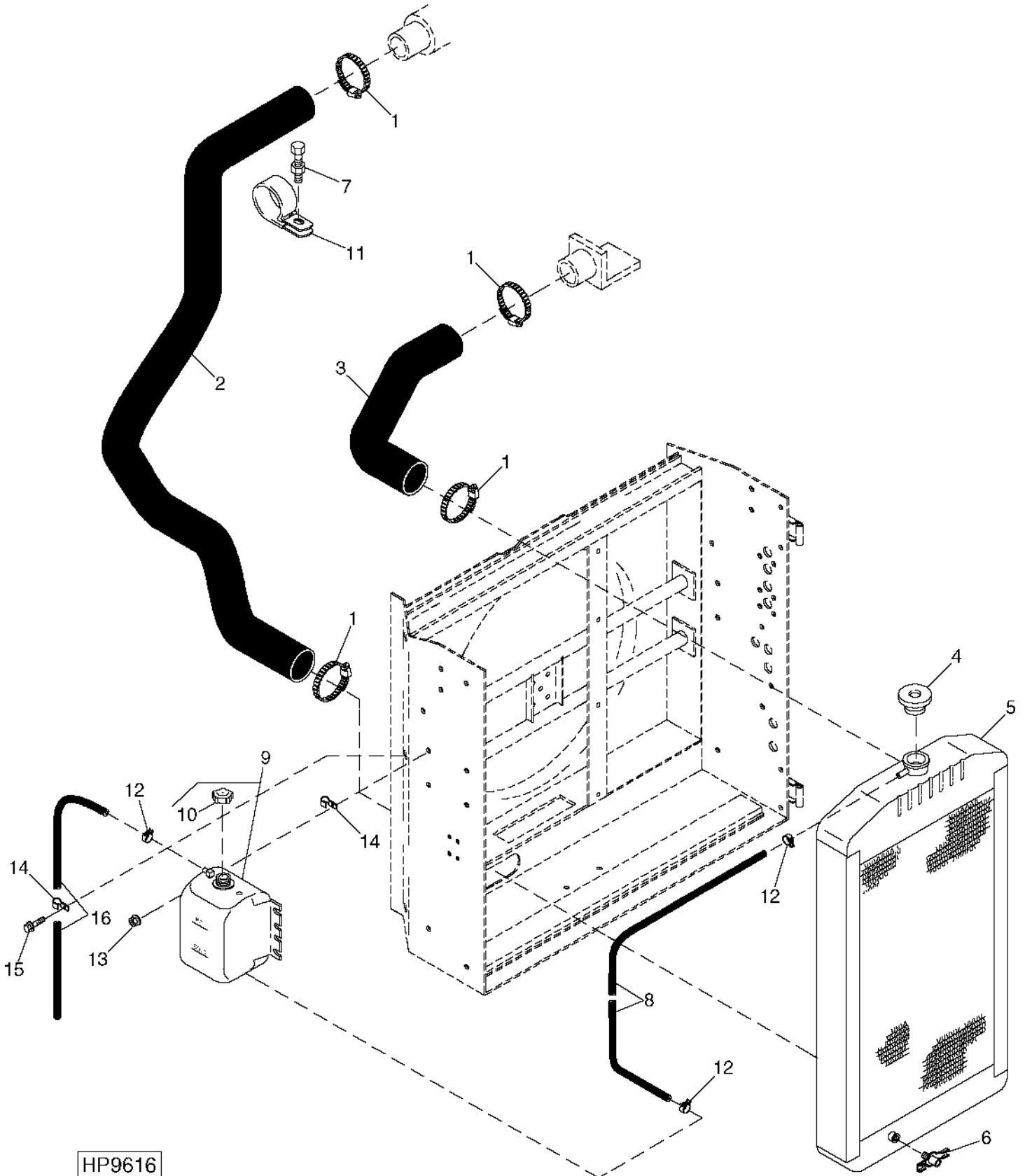
RADIATOR SHELL AND SEALS - CONTINUED

KEY	PART NO.	PART NAME	QTY	SERIAL NO.	0 H	REMARKS
					9	
					5	
					9 5	
					5 0	
					5 S	
					0 H	
1	AH160085	SHEET	1		X X	
2	19M7865	SCREW	7		X X	M8 X 16
3	14M7298	FLANGE NUT	7		X X	
4	H167159	BRACKET	1		X X	
5	H154195	SEAL	1		X X	
6	H166395	SEAL	1		X X	
7	AH161456	CHANNEL	1		X X	(USE WITH AH144719)
	AH161457	CHANNEL	1		X X	(USE WITH AH128257)
8	AH96317	CLIP	1		X X	
9	37M7060	SCREW	AR		X X	
10	AH87272	LATCH	1		X X	
11	19M7865	SCREW	1		X X	M8 X 16
12	H134527	SHEET	1		X X	
13	H134913	HINGE	2		X X	
14	H134917	PIN	1		X X	
15	AH131301	BRACKET	1		X X	
16	H134915	DOOR	1		X X	
17	H136013	MAT	1		X X	
18	21M7243	WING SCREW	1		X X	M8 X 16
19	H116740	PLUG	2		X X	
20	24M7207	WASHER	2		X X	
21	H162138	BRACKET	1		X X	
..	M84971	NUT	1		X X	8 MM, CLAMP-ON (ADD TO 11.7 HOLE, BOTTOM OF COOLER, PROTRUDING THREADS AWAY FROM INLET)

1B12

RADIATOR AND COOLANT RECOVERY TANK

HP9616 -UN-15MAR00



HP9616

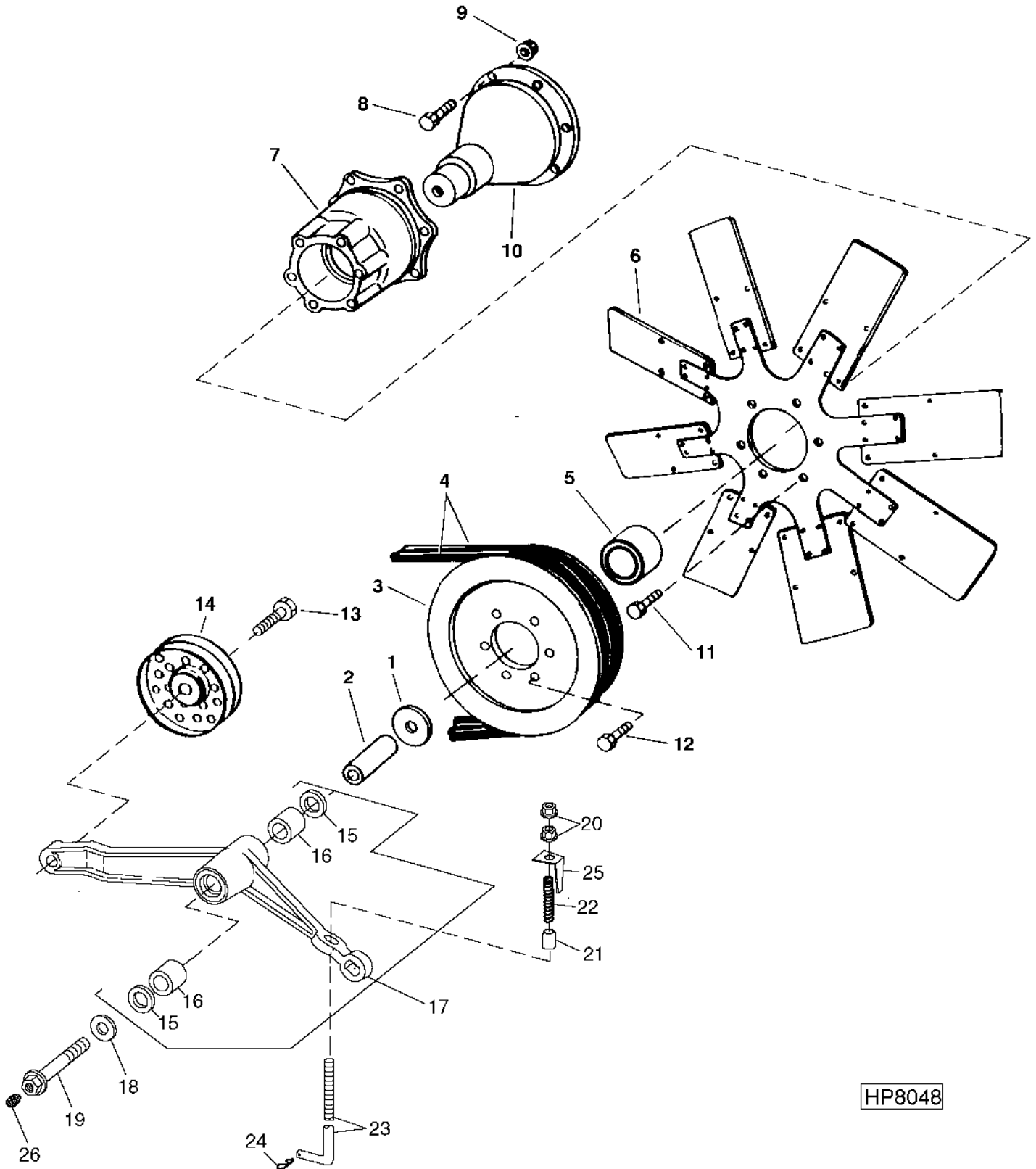
1B13

RADIATOR AND COOLANT RECOVERY TANK - CONTINUED

KEY	PART NO.	PART NAME	QTY	SERIAL NO.	9 5 9 5 5 0 5 S 0 H	REMARKS
1	AR21999	HOSE CLAMP	4		X X	
2	AH160197	RADIATOR HOSE	1	-091442	X X	LOWER (2" WATER PUMP INLET)
	AH167558	RADIATOR HOSE	1	091443-	X X	LOWER (2.5" WATER PUMP INLET)
3	AH140930	HOSE	1		X X	
4	AH148649	FILLER CAP	1		X X	10 PSI
5	AH144719	RADIATOR	1		X X	4 FPI, 6 ROW
	AH128257	RADIATOR	1		X X	5 FPI, 5 ROW
6	AT13740	DRAIN VALVE	1		X X	
7	19M7873	SCREW	1		X X	M8 X 110
8	H168752	HOSE	1		X X	VACUUM
9	AT162597	TANK	1		X X	
10	AT106413	CAP	1		X X	
11	H123297	CLAMP	1		X X	
12	AR48236	CLAMP	3		X X	
13	14M7298	FLANGE NUT	4		X X	M8
14	AH89557	CLIP	3		X X	
15	19M7865	SCREW	3		X X	M8 X 16
16	H168751	HOSE	1		X X	OVERFLOW

1B14

ENGINE FAN AND DRIVES
HP8048 -UN-20NOV98



HP8048

1B15

ENGINE ACCESSORIES

ENGINE FAN AND DRIVES - CONTINUED

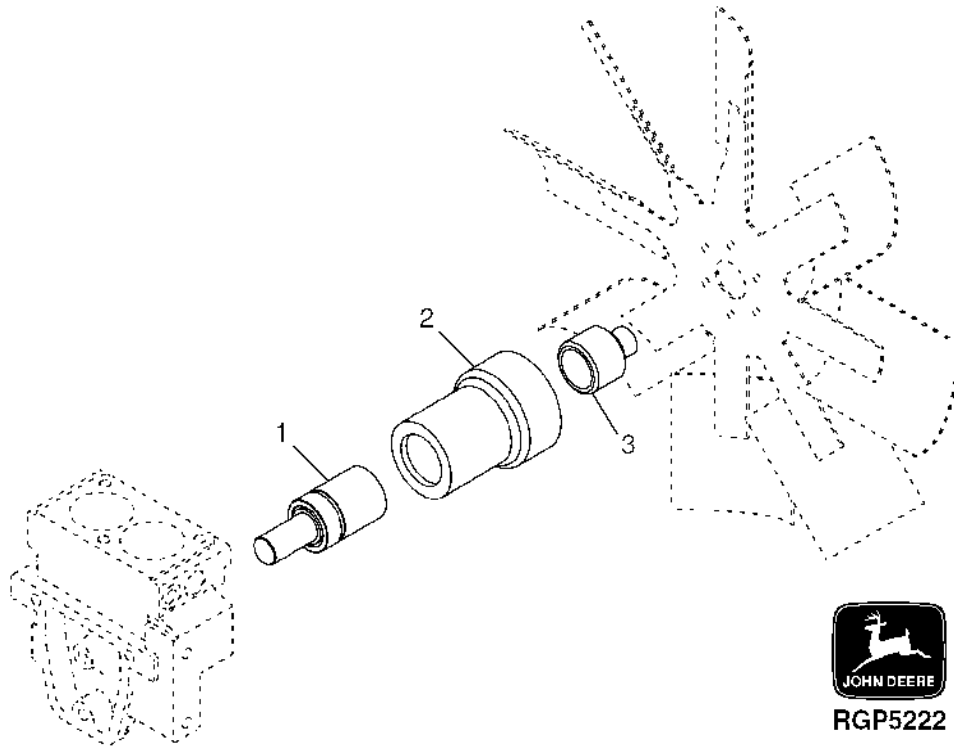
KEY	PART NO.	PART NAME	QTY	SERIAL NO.	0 H	REMARKS
					9	
					5	
					9 5	
					5 0	
					5 S	
					0 H	
1	H125466	WASHER	1		X X	13.500 X 48 X 8 MM
2	H125467	BUSHING	1		X X	13 X 25.310 X 90 MM
3	H160368	SHEAVE	1		X X	
4	H160405	BELT	1		X X	
5	AH120815	ROLLER BEARING	1		X X	
6	AH125673	SUCTION FAN	1		X X	
7	H134143	HUB	1		X X	
8	19M7786	SCREW	4		X X	M10 X 30
9	14M7400	LOCK NUT	4		X X	M10
10	H134144	SUPPORT	1		X X	
11	19M7866	SCREW	6		X X	M8 X 20
12	19M7868	SCREW	6		X X	M8 X 30
13	19M8306	SCREW	1		X X	M12 X 50
14	AH155122	IDLER	1		X X	
15	AA5607R	SEAL	2		X X	
16	H99147	BUSHING	2		X X	(SUB H171061)
	H171061	BEARING	2		X X	
17	AH155079	ARM	1		X X	
18	24M7180	WASHER	1		X X	
19	H140848	SET SCREW	1		X X	
20	14M7296	FLANGE NUT	2		X X	M10
21	H134214	GUIDE	1		X X	
22	H93399	SPRING	1		X X	
23	H164612	BOLT	1		X X	
24	J16931	SPRING LOCKING PIN	1		X X	
25	H162004	GAUGE	1		X X	COOLING FAN SPRING
26	JD7788	LUBRICATION FITTING	1		X X	

1B16

ENGINE ACCESSORIES

FAN DRIVE
RGP5222

-UN-16JUN99

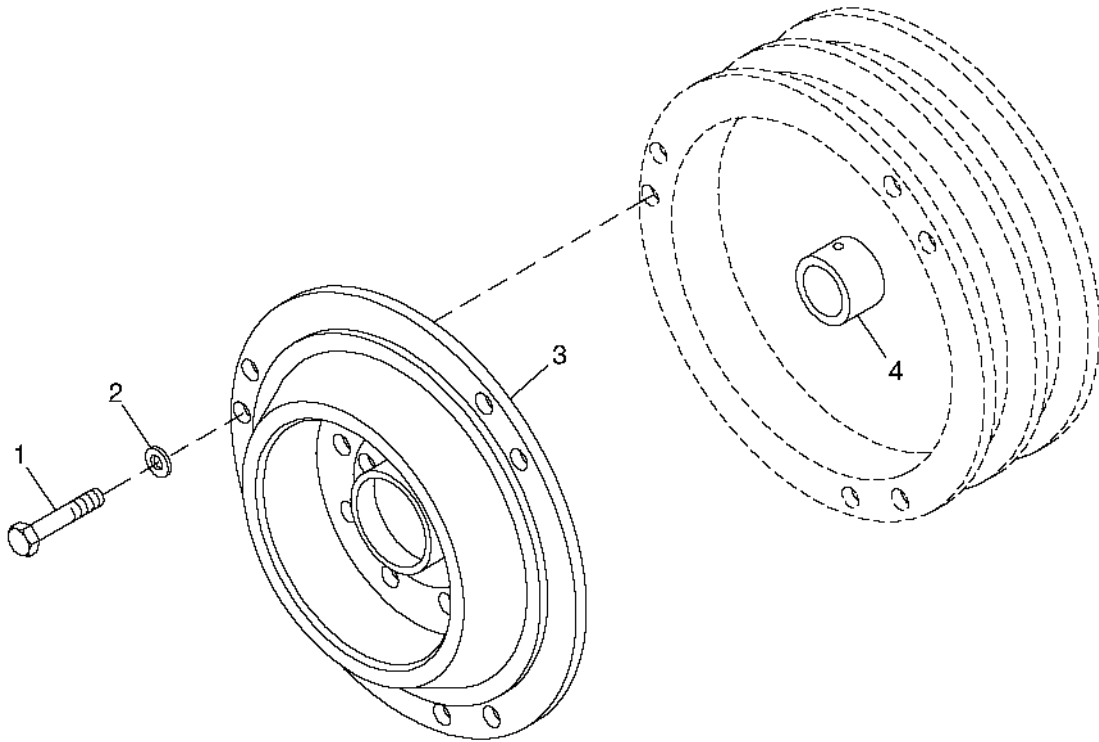


KEY	PART NO.	PART NAME	QTY	ENGINE SERIAL NO.	REMARKS
1	JD10058	BEARING	1	9 5 9 5 5 S 0 H	X X
2	R131949	HUB	1		X X
3	R131950	SPACER	1		X X

1B17

ENGINE GEARCASE COUPLING WITH HUB

HP8168 -UN-05MAR99



HP8168

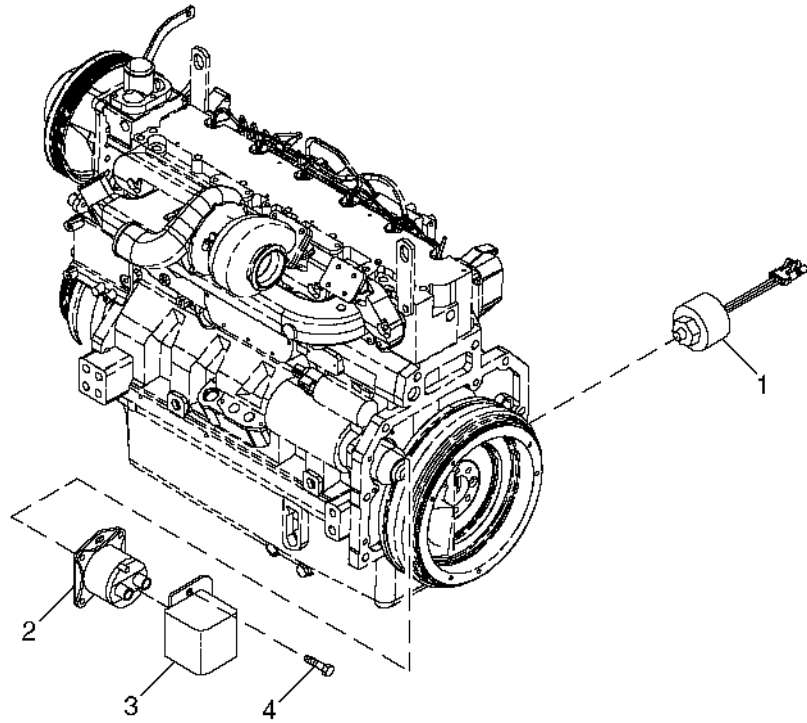
KEY	PART NO.	PART NAME	QTY	SERIAL NO.	9 5 9 5 5 0 5 S 0 H	REMARKS
1	R57725	SCREW	6		X X	
2	R42729	WASHER	6		X X	
3	AH168456	COUPLING	1		X X	(SUB FOR AH155217)
4	JD7147	BALL BEARING	1		X X	

1B18

ENGINE ACCESSORIES

START RELAY AND OIL PRESSURE SENSOR

HP8423 -UN-04JUN99



HP8423

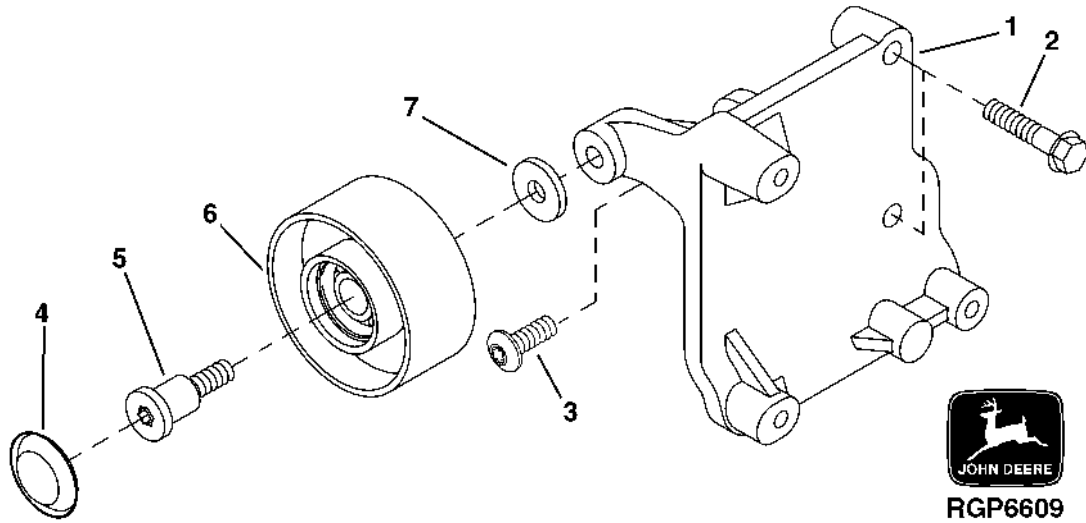
KEY	PART NO.	PART NAME	QTY	SERIAL NO.	REMARKS
1	AH133896	SWITCH	1		
2	AH160279	RELAY	1		
3	R113164	COVER	1		
4	37H147	SCREW	2		

9
5
9 5
5 0
5 S
0 H

1B19

ENGINE ACCESSORIES

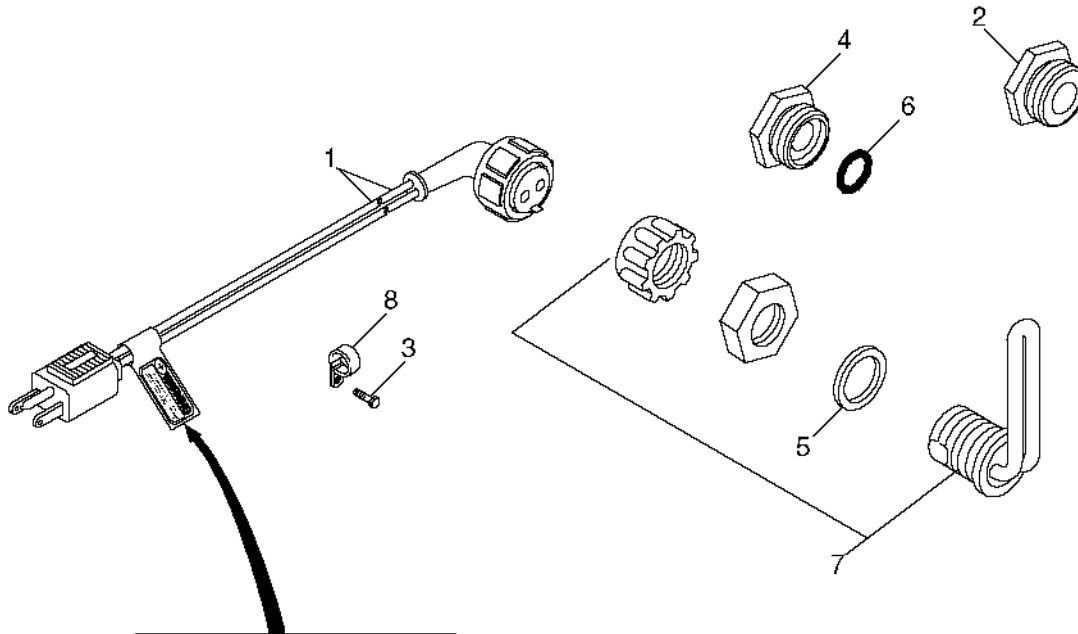
AIR CONDITIONER SUPPORT
RGP6609 -UN-28APR00



KEY	PART NO.	PART NAME	QTY	ENGINE SERIAL NO.	REMARKS
				9	
				5	
				9 5	
				5 0	
				5 S	
				0 H	
1	R135728	SUPPORT	1	X X	
2	19H3772	CAP SCREW	2	X X	3/8" X 1-3/4"
3	R124963	SCREW	1	X X	
4	R99590	COVER	1	X X	
5	R128893	BOLT	1	X X	
6	RE155577	PULLEY	1	X X	
7	R53436	WASHER	1	X X	

1B20

ENGINE BLOCK COOLANT HEATER AND EXT. CORD
HP8293 -UN-17AUG99



⚠ WARNING
To prevent shock,
always use a grounded
3-wire extension cord

HP8293

1B21

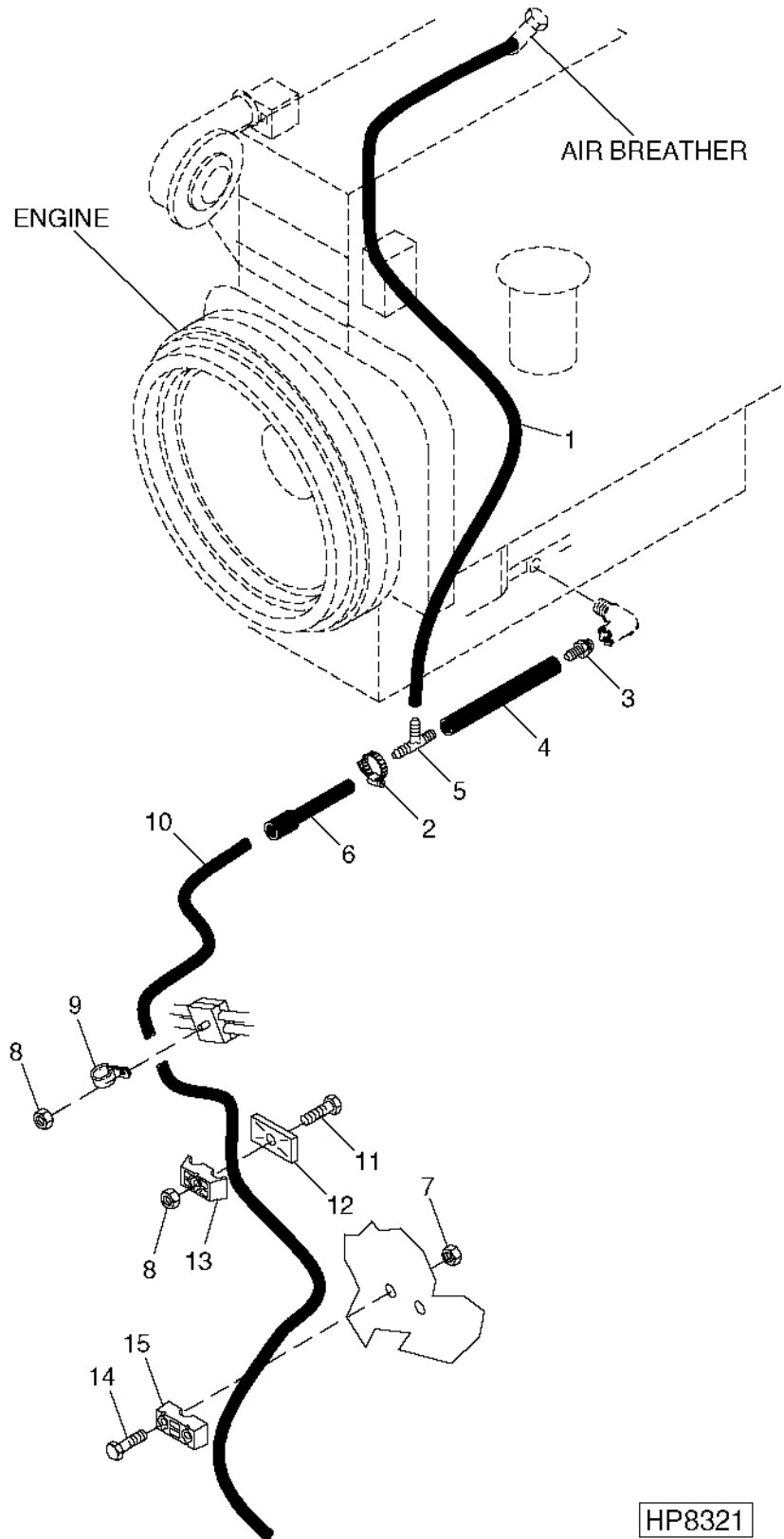
ENGINE ACCESSORIES

ENGINE BLOCK COOLANT HEATER AND EXT. CORD - CONTINUED

KEY	PART NO.	PART NAME	QTY	SERIAL NO.	9 5 9 5 5 0 5 S 0 H	REMARKS
1	AT73296	POWER CORD	1		X X	12', 110 VOLT
	AH151458	POWER CORD	1		X X	4', 220 VOLT
2	R39741	DRAIN PLUG	1		X X	USE WITHOUT COOLANT HEATER
3	37M7083	SCREW	1		X X	
4	R54123	ADAPTER	1		X X	
5	R47693	GASKET	1		X X	
6	U13639	O-RING	1		X X	37.465 X 2.997 MM
7	RE504122	COOLANT HEATER	1		X X	110 VOLT
	RE504121	HEATER	1		X X	240 VOLT
8	H75541	CLAMP	1		X X	

1B22

ENGINE CRANKCASE OIL DRAIN
HP8321 -UN-04JUN99



HP8321

1B23

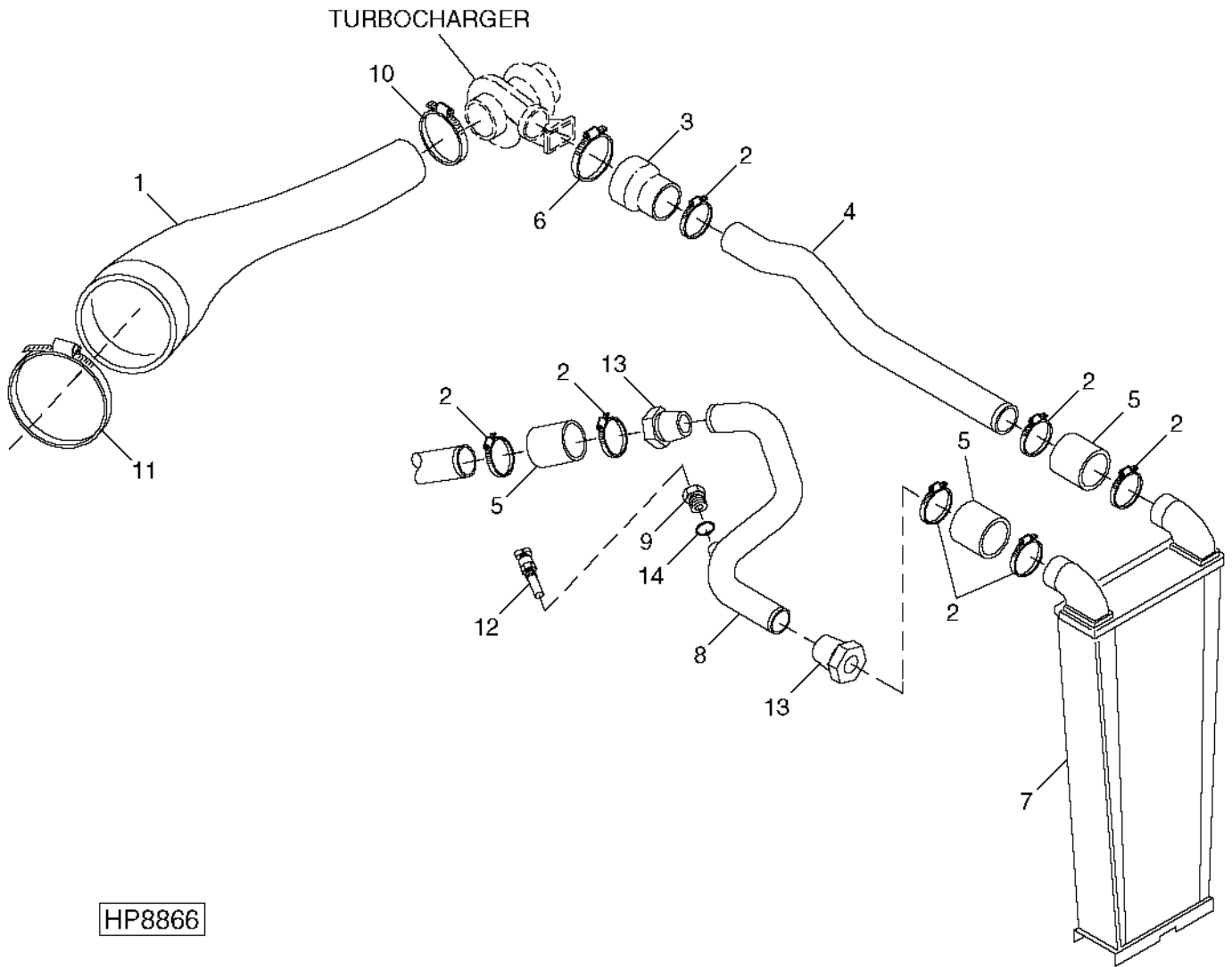
ENGINE ACCESSORIES

ENGINE CRANKCASE OIL DRAIN - CONTINUED

KEY	PART NO.	PART NAME	QTY	SERIAL NO.	9 5 9 5 5 0 5 S 0 H	REMARKS
1	H152868	HOSE	1		X X	
2	AT18904	CLAMP	5		X X	
3	A27238	HOSE FITTING	1		X X	
4	TY22424	HOSE	1		X X	
5	A24915	TEE FITTING	1		X X	
6	H160024	HOSE	1		X X	
7	14M7303	FLANGE NUT	2		X X	M6
8	14M7298	FLANGE NUT	2		X X	M8
9	T27550	CLIP	1		X X	
10	H161155	TUBE	1		X X	
11	19M7801	SCREW	1		X X	M8 X 60
12	H112567	PLATE	2		X X	
13	H114897	CLAMP	2		X X	
14	03M7280	BOLT	2		X X	M6 X 45
15	H114432	CLAMP	2		X X	

1B24

INTERCOOLER
HP8866 -UN-27JUL99



1B25

ENGINE ACCESSORIES

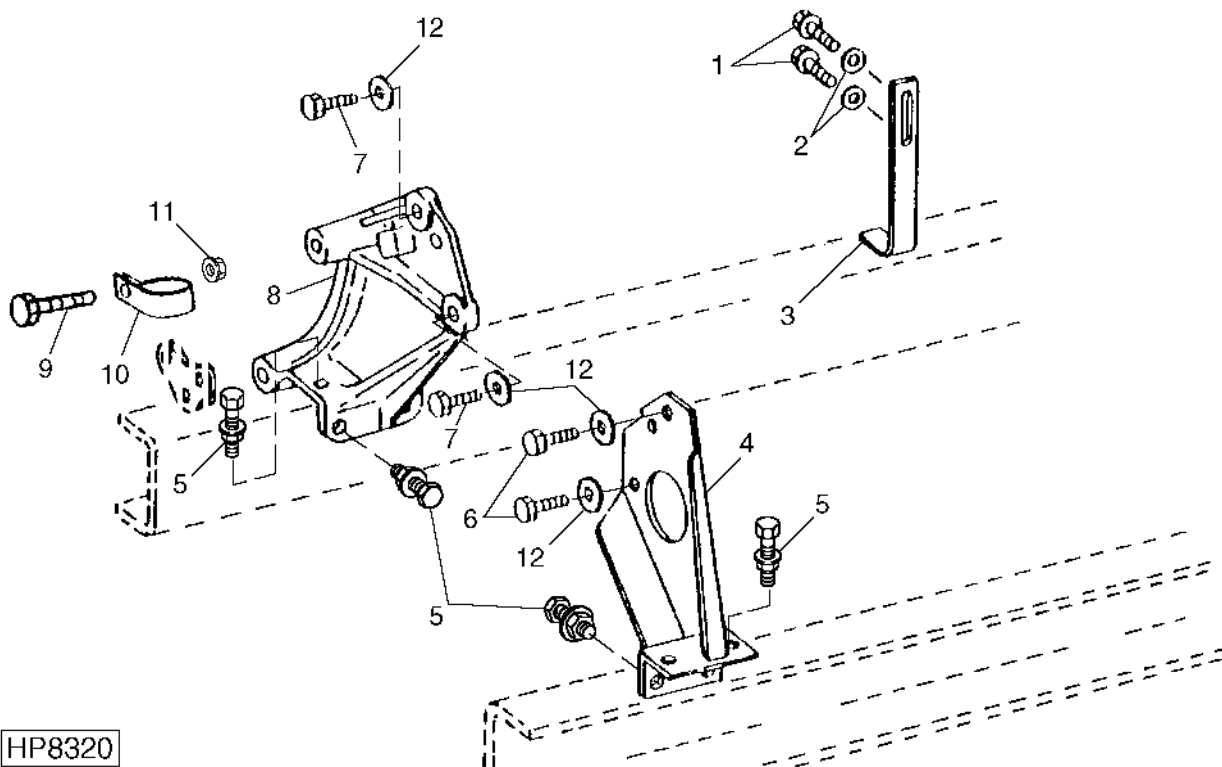
INTERCOOLER - CONTINUED

KEY	PART NO.	PART NAME	QTY	SERIAL NO.	9 5 9 5 5 0 5 S 0 H	REMARKS
1	AH153659	TUBE	1		X X	
2	AT39141	HOSE CLAMP	7		X X	
3	H152403	HOSE	1		X X	
4	H161639	LINE	1		X X	
5	H133051	HOSE	3		X X	
6	AT37476	HOSE CLAMP	1		X X	
7	AH151139	AIR COOLER	1		X X	
8	AH155055	LINE	1		X X	
9	R27094	DRAIN PLUG	1		X	
	15H624	PIPE PLUG	1		X	
10	AT112176	HOSE CLAMP	1		X X	
11	AT131716	HOSE CLAMP	1		X X	
12	AH156144	SENSOR	1		X X	TEMPERATURE
13	R71210	ADAPTER	2		X X	
14	51M7040	O-RING	1		X	9.300 X 2.200 MM

1C1

ENGINE MOUNTS AND REAR SUPPORT

HP8320 -UN-04JUN99



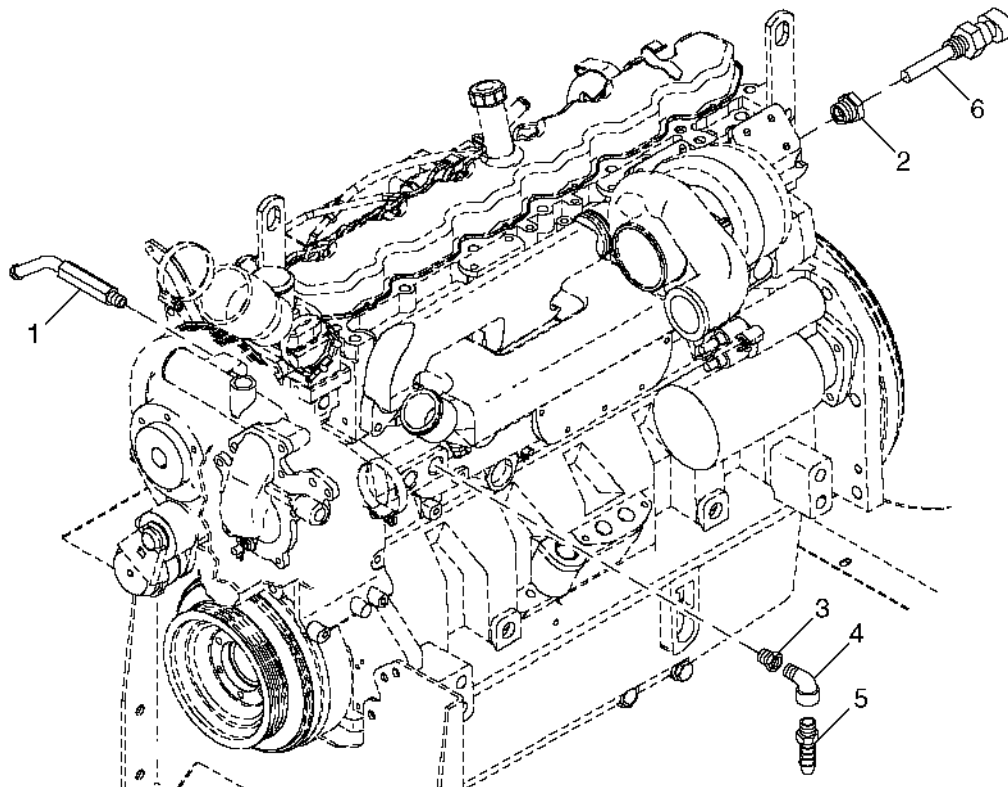
HP8320

9
5
9 5
5 0
5 S
0 H

KEY	PART NO.	PART NAME	QTY	SERIAL NO.	REMARKS
1	19H1824	CAP SCREW	2	X X	5/8" X 2-1/4"
2	24H1373	WASHER	2	X X	21/32" X 1-9/16" X 0.180"
3	H134856	BRACKET	1	X X	REAR
4	AH148106	SUPPORT	1	X X	
5	19M7786	SCREW	8	X X	M10 X 30
	14M7296	FLANGE NUT	8	X X	M10
6	19H1792	CAP SCREW	2	X X	1/2" X 1"
7	19H2473	CAP SCREW	2	X X	1/2" X 1-3/4"
8	H147115	SUPPORT	1	X X	R.H.
9	19M7865	SCREW	1	X X	M8 X 16
10	H143757	HOSE CLAMP	1	X X	
11	14M7298	FLANGE NUT	1	X X	M8
12	12H301	LOCK WASHER	4	X X	12.700 MM (1/2")

ENGINE HEATER HOSE CONNECTORS

HP9200 -UN-20OCT99

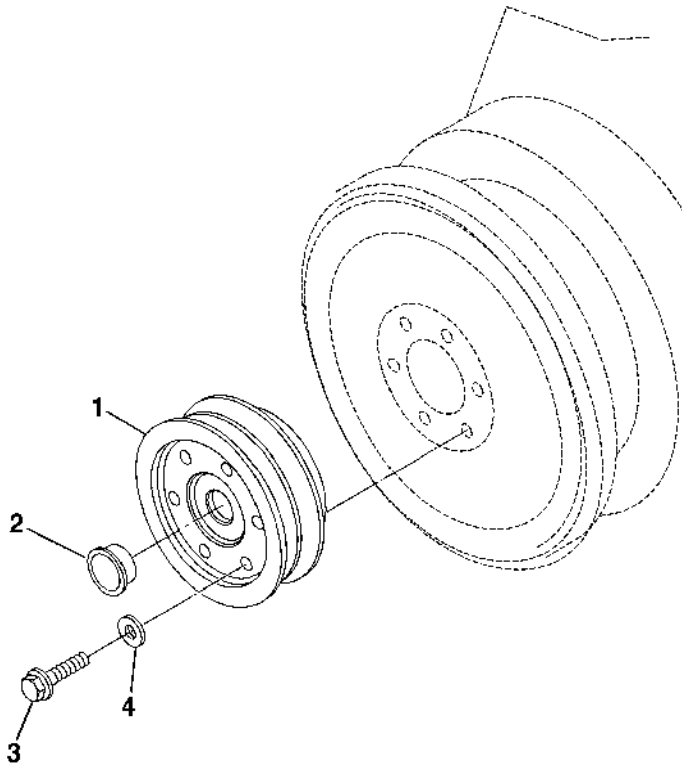


HP9200

KEY	PART NO.	PART NAME	QTY	SERIAL NO.	REMARKS
				9	
				5	
				9	
				5	
				5	
				0	
				H	
1	H164854	ADAPTER	1	X X	
2	H163652	FITTING	1	X X	
3	15H515	PIPE BUSHING	1	X X	
4	15H200	ELBOW FITTING	1	X X	
5	H23196	FITTING	1	X X	
6	AH156145	SENSOR	1	X X	TEMPERATURE

1C3

ENGINE DRIVE
HP6789 -UN-18AUG97



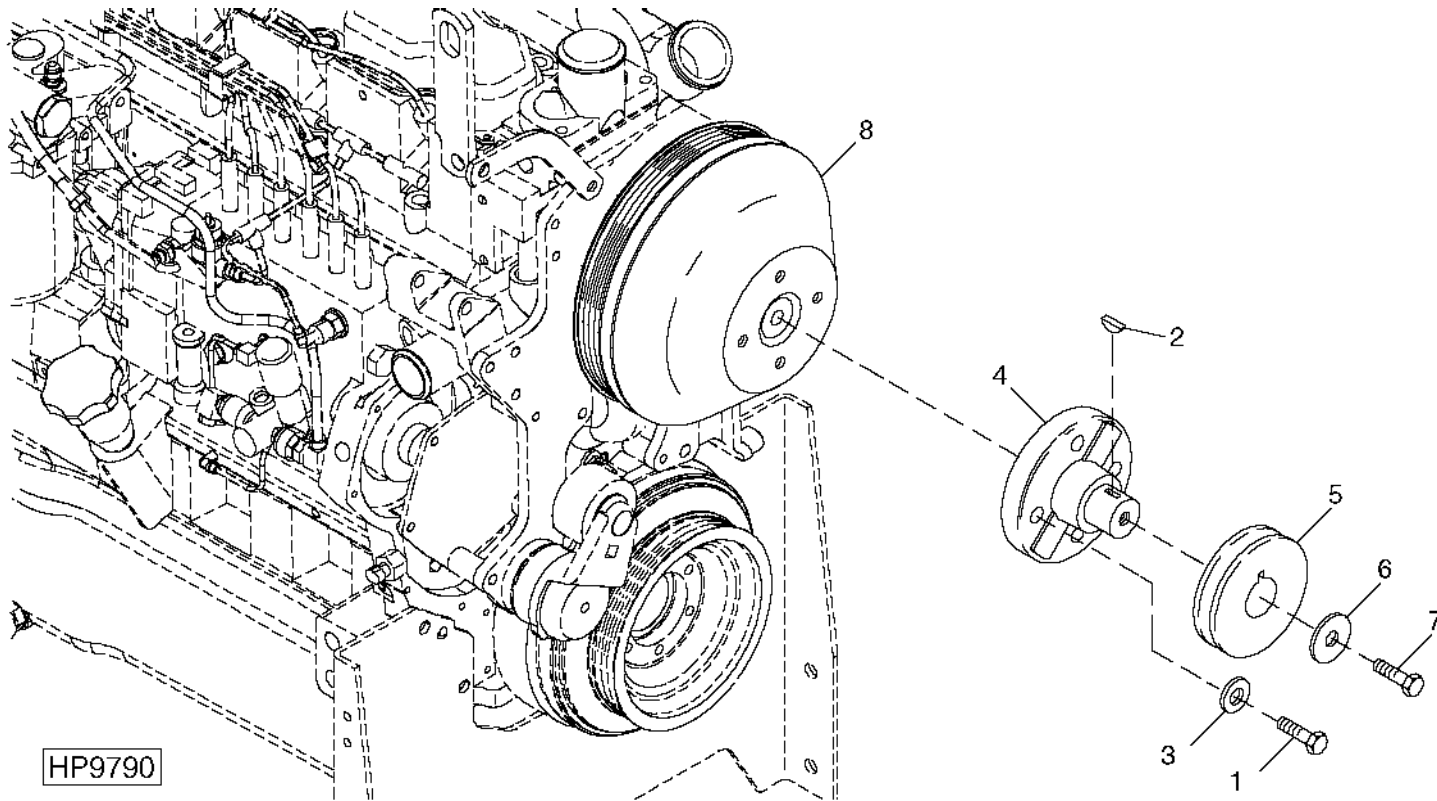
HP6789

9
5
9 5
5 0
5 S
0 H

KEY	PART NO.	PART NAME	QTY	SERIAL NO.	REMARKS
1	H160367	SHEAVE	1	X	
2	B2984R	PLUG	1	X	
3	19H3175	CAP SCREW	6	X	3/8" X 3-5/8"
4	24M7239	WASHER	6	X	10.700 X 21 X 2.500 MM

1C4

ROTARY SCREEN DRIVE
HP9790 -UN-30MAY00

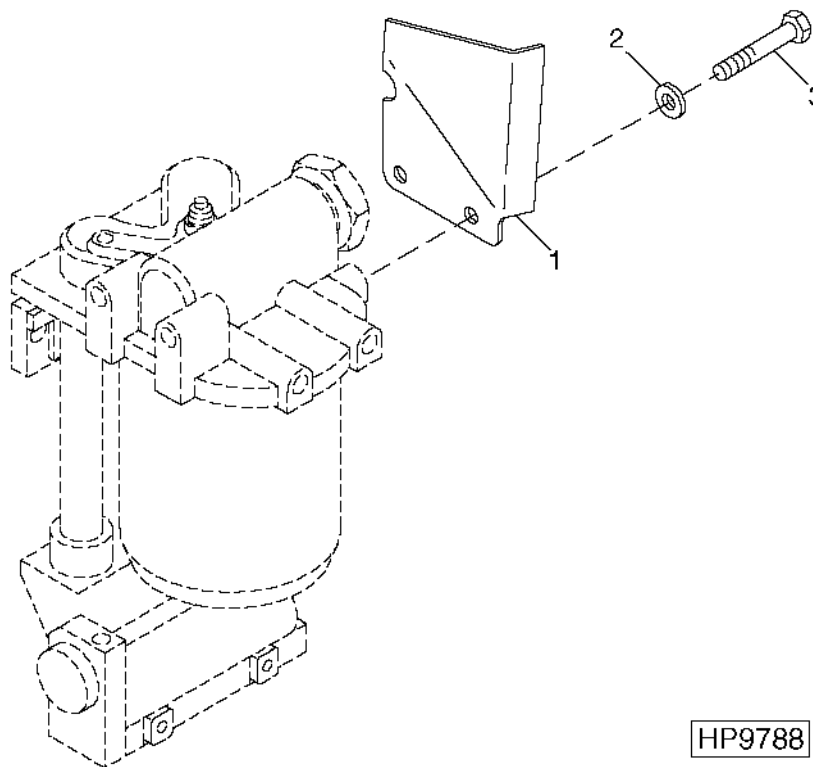


9
5
9 5
5 0
5 S
0 H

KEY	PART NO.	PART NAME	QTY	SERIAL NO.	REMARKS
1	19H3239	CAP SCREW	4	X X	3/8" X 1-1/4"
2	26M7002	SHAFT KEY	1	X X	5 X 16 MM
3	24M7239	WASHER	4	X X	10.700 X 21 X 2.500 MM
4	H163133	HUB	1	X X	
5	H159224	SHEAVE	1	X X	
6	H158845	WASHER	1	X X	
7	19M7865	SCREW	1	X X	M8 X 16
8	R128662	SHEAVE	1	X X	

1C5

ENGINE AIR DEFLECTOR
HP9788 -UN-05JUN00



HP9788

KEY	PART NO.	PART NAME	QTY	SERIAL NO.	REMARKS
1	H169293	DEFLECTOR	1		
2	12H303	LOCK WASHER	2		
3	19H2020	CAP SCREW	2		

9
5
9 5
5 0
5 S
0 H

MEMORANDA

1C9

ENGINE

TORQ-GARD SUPREME AND PLUS-50 ENGINE OIL

RGP3291 -UN-01JAN94



RGP 3291

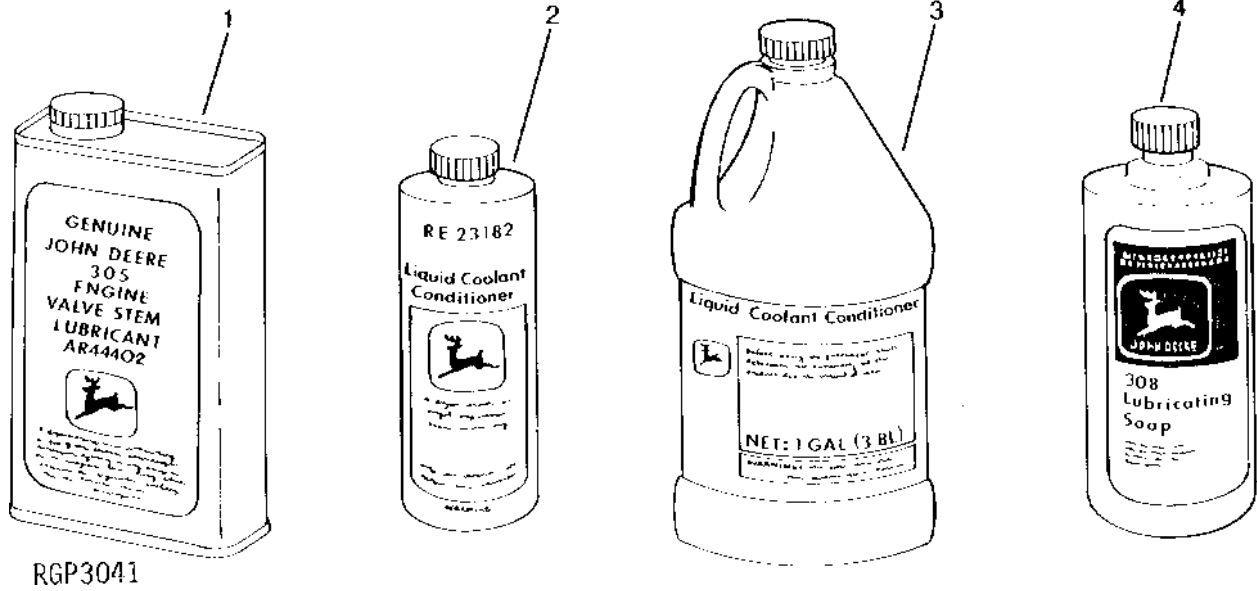
KEY	PART NO.	PART NAME	QTY	ENGINE SERIAL NO.	REMARKS
1	TY22064	OIL	1	(SAE 5W/30), 0.9L (1 QT)	
	TY22065	OIL	1	(SAE 5W/30), 19L (5 GAL)	
	TY22066	OIL	1	(SAE 5W/30), 208L (55 GAL)	
	TY6364	OIL	1	(SAE 10W/30), 0.9L (1 QT) (BREAKIN)	
	TY22067	OIL	1	(SAE 10W), .9L (1 GAL)	
	TY22068	OIL	1	(SAE 10W), 19L (5 GAL)	
	TY22069	OIL	1	(SAE 10W), 208L (55 GAL)	
	TY22070	OIL	1	(SAE 30W), 0.9L (1 GAL)	
	TY22073	OIL	1	(SAE 30W), 19L (5 GAL)	
	TY6280	OIL	1	(SAE 30W), 114L (30 GAL)	
	TY22074	OIL	1	(SAE 30W), 208L (55 GAL)	
	2	TY6389	OIL	1	(SAE 15W/40), 0.9 L (1 QT)
	TY22008	OIL	1	(SAE 15W/40), 3.8 L (1 GAL)	
	TY6390	OIL	1	(SAE 15W/40), 19 L (5 GAL)	
	TY22010	OIL	1	(SAE 15W/40), 113.6 L (30 GAL)	
	TY6391	OIL	1	(SAE 15W/40), 208 L (55 GAL)	
	TY6392	OIL	1	(SAE 30W), 0.9 L (1 QT)	
	TY22007	OIL	1	(SAE 30W), 3.8 L (1 GAL)	
	TY6393	OIL	1	(SAE 30W), 19 L (5 GAL)	
	TY22011	OIL	1	(SAE 30W), 113.6 L (30 GAL)	
	TY6394	OIL	1	(SAE 30W), 208 L (55 GAL)	
..	TY22041	OIL	1	(SAE 10W/30), 3.8 L (1 GAL) (BREAKIN)	
..	TY22042	OIL	1	(SAE 10W/30), 208 L (55 GAL) (BREAKIN)	

1C10

ENGINE

ACCESSORY PARTS

RGP3041 -UN-01JAN94



RGP3041

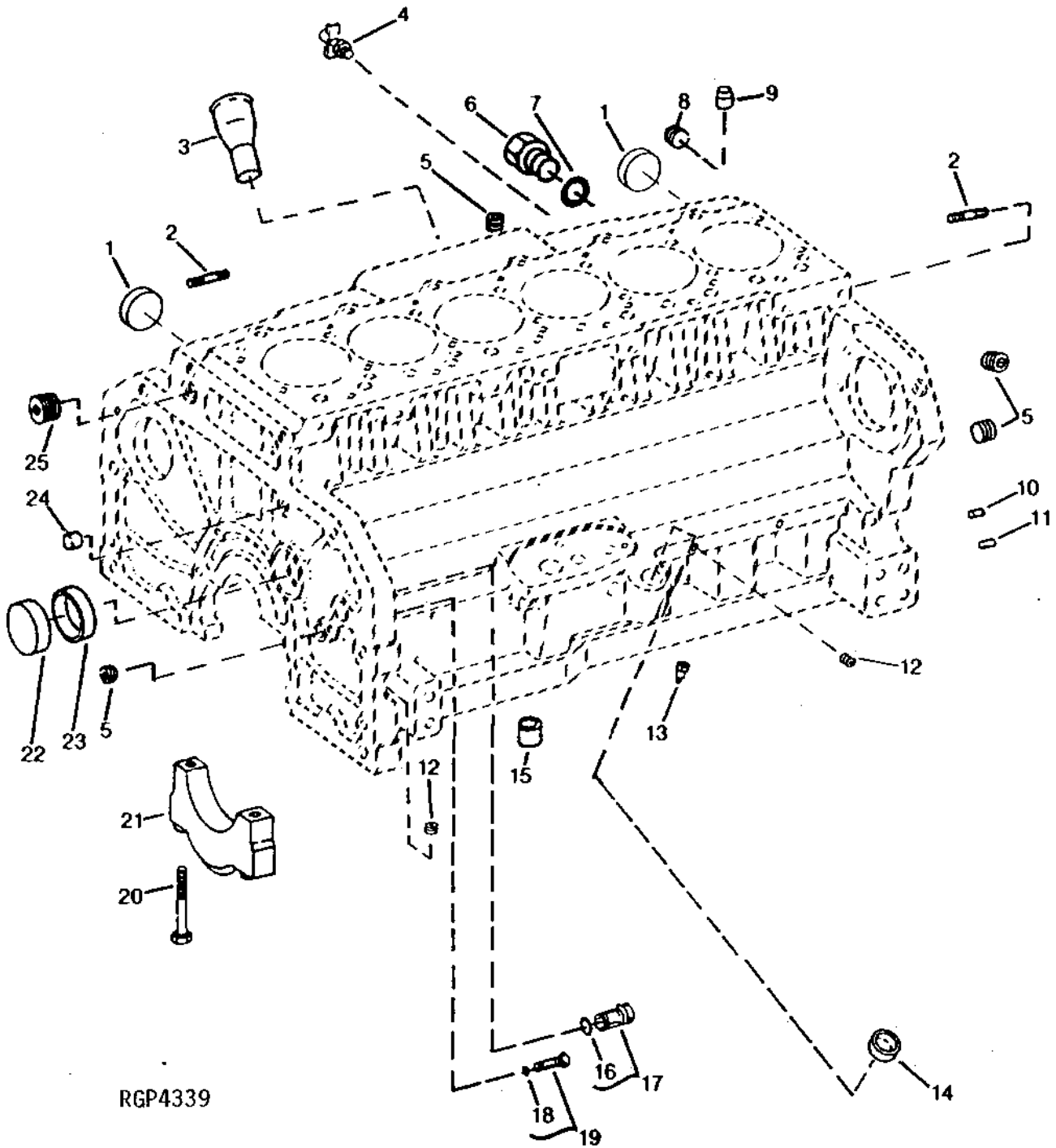
KEY	PART NO.	PART NAME	QTY	TRACTOR SERIAL NO.	REMARKS
1	AR44402	OIL	1	X X	0.9 L (1 QT)
2	TY16004	ENGINE COOLANT CONDITIONER	1	X X	0.472 L (16 OZ)
3	TY16005	ENGINE COOLANT CONDITIONER	1	X X	3.8 L (1 GAL)
4	AR54749	LUBRICANT	1	X X	0.9 L (1 QT)
..	AT66865	LUBRICANT	1	X X	(ELECTRICAL CONNECTIONS)
..	AR41785	KIT	1	X X	0.9 L (1 QT)
..	AR21969	KIT	1	X X	(CAP PLUG)
..	DS0251	KIT	1	X X	(COOLANT SCAN TEST)
..	IPSKIT1	KIT	1	X X	(OIL SCAN TEST)
..	DS0557	VALVE	1	X X	(SAMPLING SYSTEM)
..	TY16423	INDICATOR	1	X X	(COOLANT EYE - FILL OR FLUSHING PORT)

9
5
9 5
5 0
5 S
0 H

1C11

ENGINE

CYLINDER BLOCK FITTINGS
RGP4339 -UN-01JAN94



RGP4339

1C12

ENGINE

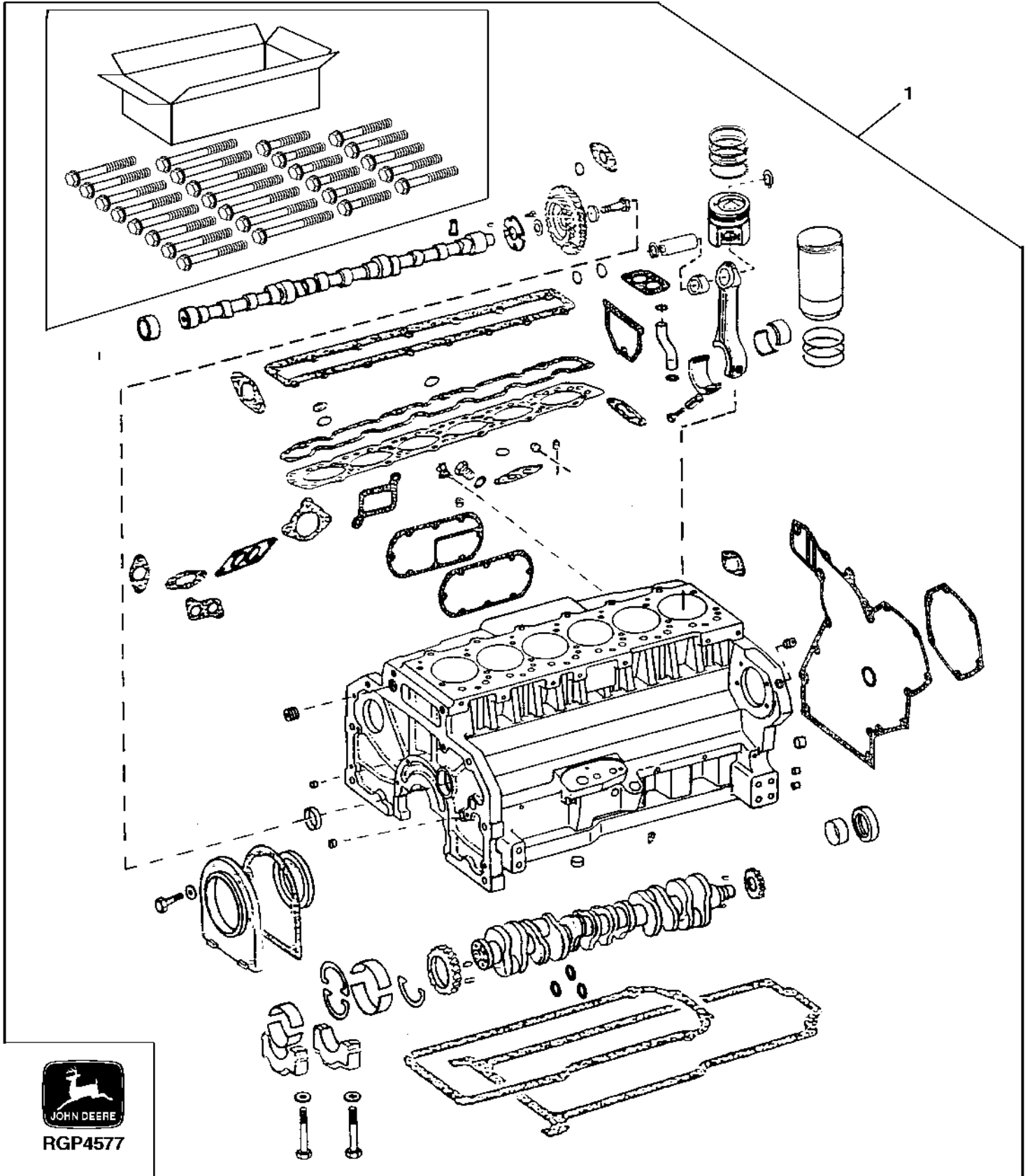
CYLINDER BLOCK FITTINGS - CONTINUED

KEY	PART NO.	PART NAME	QTY	ENGINE SERIAL NO.	9	REMARKS
					5	
					9 5	
					5 0	
					5 S	
					0 H	
1	R43409	CAP	2		X X	
2	R114130	STUD	5		X X	
3	R121765	DIPSTICK TUBE	1		X X	
4	AT13740	DRAIN VALVE	1		X X	
5	R36599	PLUG	3		X X	1/2 ", (NOT AS SHOWN)
6	R39741	DRAIN PLUG	1		X X	
7	U13639	O-RING	1		X X	
8	15H690	PIPE PLUG	1		X X	3/4"
9	R42340	BUSHING	2		X X	
10	R1612R	DOWEL PIN	2		X X	
11	F1743R	DOWEL PIN	2		X X	
12	R104592	PIPE PLUG	6		X X	
13	R43621	ORIFICE	6		X X	
14	T35390	CAP	1		X X	(OIL FILL HOLE NOT USED)
15	R500642	BUSHING	2		X X	
16	R27149	O-RING	1		X X	
17	AR61533	PLUG	1		X X	
18	A4365R	O-RING	1		X X	
19	AR61589	PLUG	1		X X	
20	R122364	BOLT	14		X X	
21	R120953	BEARING CAP	6		X X	(MAIN)
	R120954	BEARING CAP	1		X X	(THRUST)
22	R82007	CAP	1		X X	
23	R87561	BUSHING	4		X X	
24	R61288	DOWEL PIN	1		X X	
25	15H562	PIPE PLUG	1		X X	1"
..	15H686	PIPE PLUG	1		X X	1", (CYLINDER BLOCK REAR COOLANT OPENING)
..	CYLINDER BLOCK	NA		X X	(NOT AVAILABLE)

1C13

ENGINE

ENGINE SHORT BLOCK
RGP4577 -UN-02NOV95



RGP4577

1C14

ENGINE

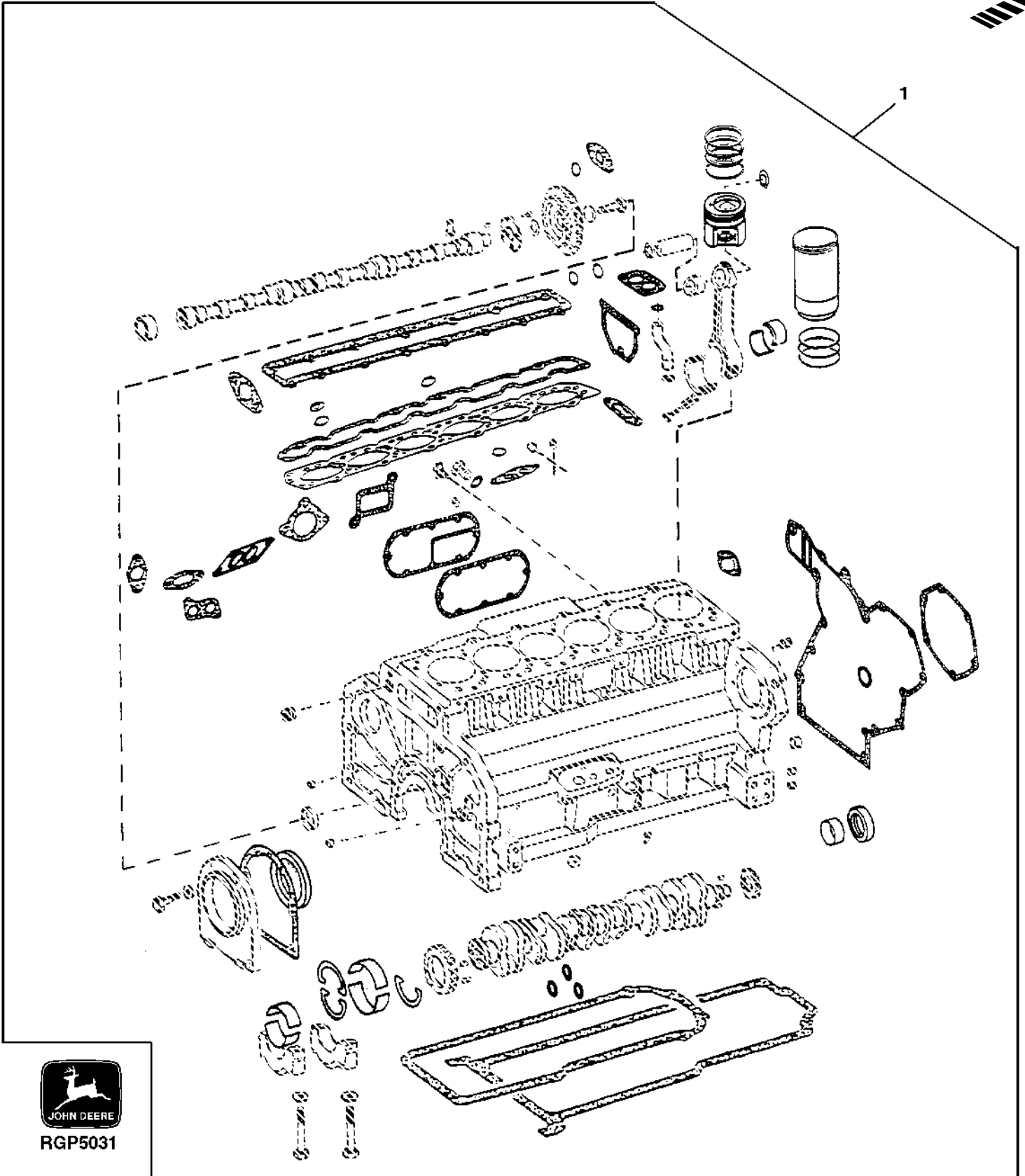
ENGINE SHORT BLOCK - CONTINUED

KEY	PART NO.	PART NAME	QTY	ENGINE SERIAL NO.	REMARKS
1	RE504460	SHORT BLOCK ASSEMBLY	1	9 5 9 5 5 0 5 S 0 H	(MARKED R115471) (HIGH COMPRESSION RE70688 OR RE502656 PISTON) (ALSO ORDER R121765)

1C15

ENGINE

ENGINE OVERHAUL KIT
RGP5031 -UN-11MAY98



RGP5031

1C16

ENGINE

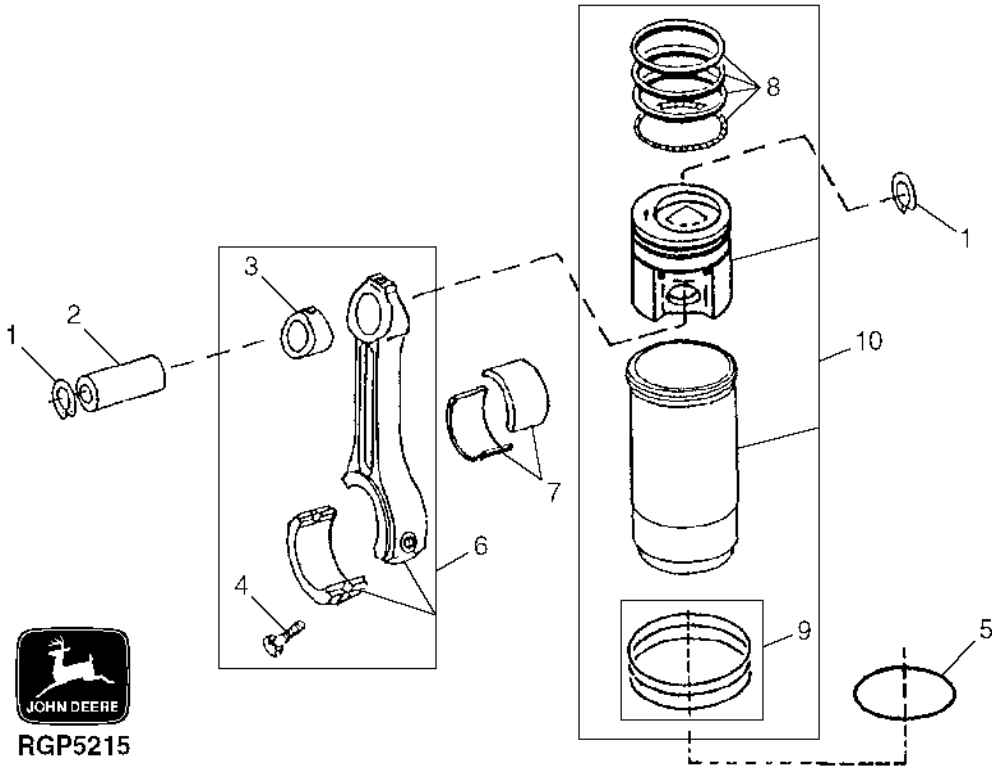
ENGINE OVERHAUL KIT - CONTINUED

KEY	PART NO.	PART NAME	QTY	ENGINE SERIAL NO.		REMARKS
1	RE504201	ENGINE OVERHAUL KIT	1		9 5 9 5 5 0 5 S 0 H	(CONTAINS (6) RE64509 PISTON/LINERS, GASKET KIT, STD BEARINGS, FRONT/REAR SEALS, AND SNAP RINGS) (ALSO ORDER R501035 ROD BOLTS) (CONTAINS HIGH COMPRESSION PISTONS MARKED RE70688 OR RE502656)

1C17

ENGINE

PISTON / CONNECTING RODS / CYLINDER LINER
RGP5215 -UN-16JUN99

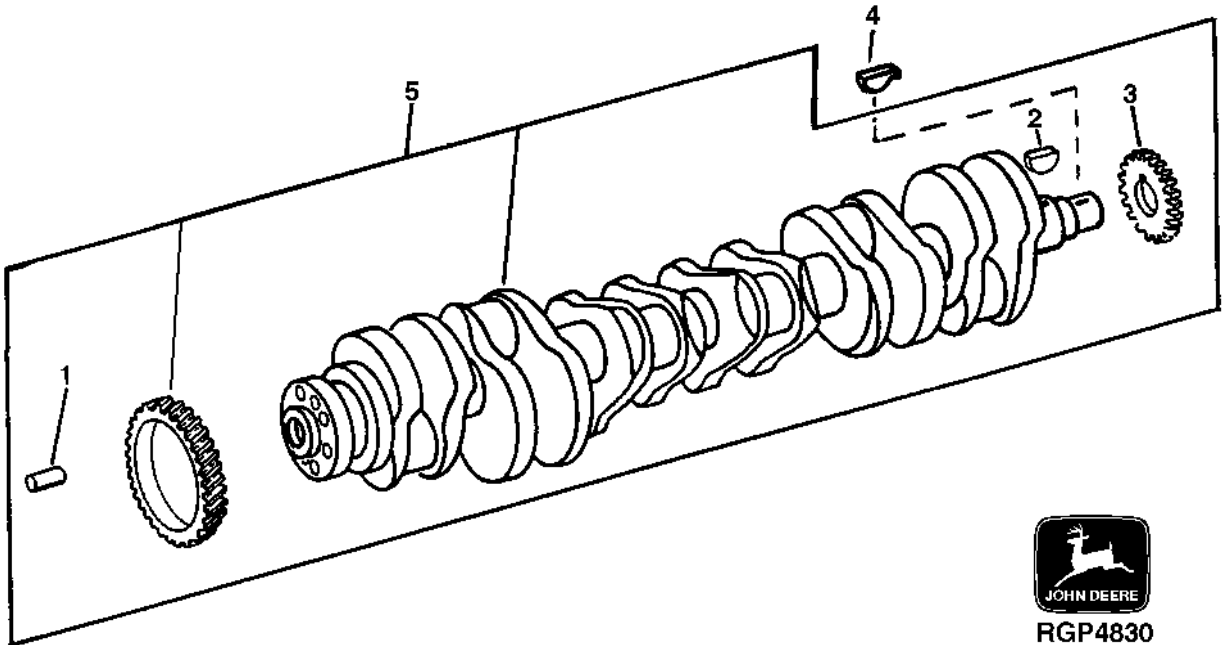


KEY	PART NO.	PART NAME	QTY	ENGINE SERIAL NO.	REMARKS
				9 5 9 5 5 0 5 S 0 H	
1	E1343FN	SNAP RING	12	X X	
2	R57771	PISTON PIN	6	X X	
3	R74008	BUSHING	6	X X	
4	R501035	CAP SCREW	12	X X	
5	R93948	SHIM	2	X X	0.05MM (.002") (MAX.)
6	RE501513	CONNECTING ROD	6	X X	(MARKED R501034)
7	R116081	BEARING	AR	X X	STD PKG (2)
	RE57167	BEARING	AR	X X	0.292MM (.011") (UNDERSIZE) (PKG OF (2) R121338)
8	RE503528	PISTON RING	6	X X	
9	AR98850	KIT	6	X X	
10	RE64509	KIT	6	X X	(HIGH COMPRESSION) (MARKED RE70688)

1C18

ENGINE

CRANKSHAFT
RGP4830 -UN-02DEC96

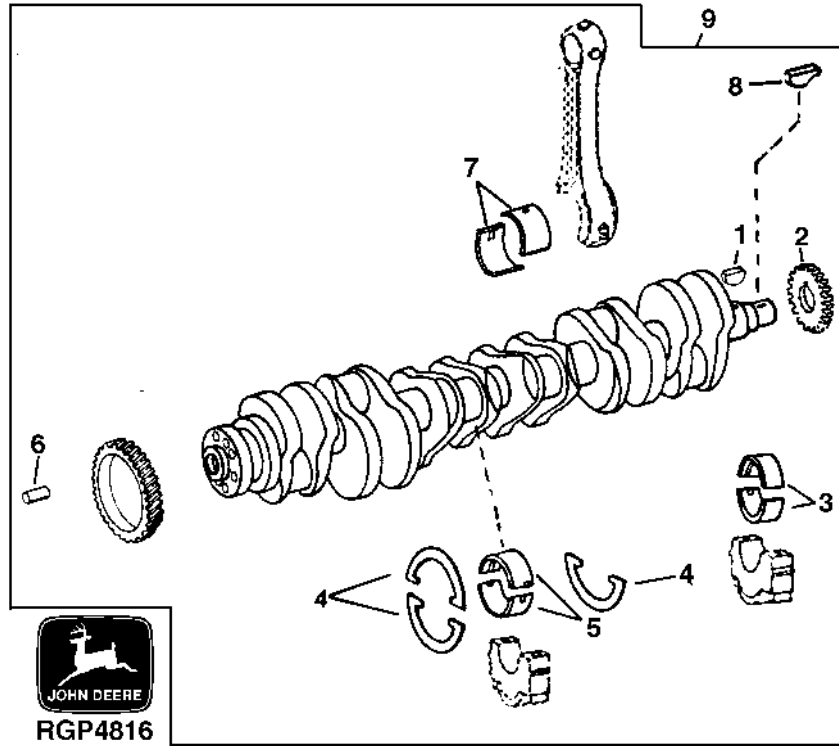


KEY	PART NO.	PART NAME	QTY	ENGINE SERIAL NO.	REMARKS
				9 5 9 5 5 0 5 S 0 H	
1	R41934	DOWEL PIN	1	X X	
2	R120752	KEY	1	X X	1/8" X 0.625"
3	R104587	GEAR	1	X X	
4	R116311	KEY	1	X X	
5	RE55522	CRANKSHAFT	1	X X	(MARKED RE55522)

1C19

ENGINE

UNDERSIZE CRANKSHAFT / BEARINGS, KIT
RGP4816 -UN-21OCT96



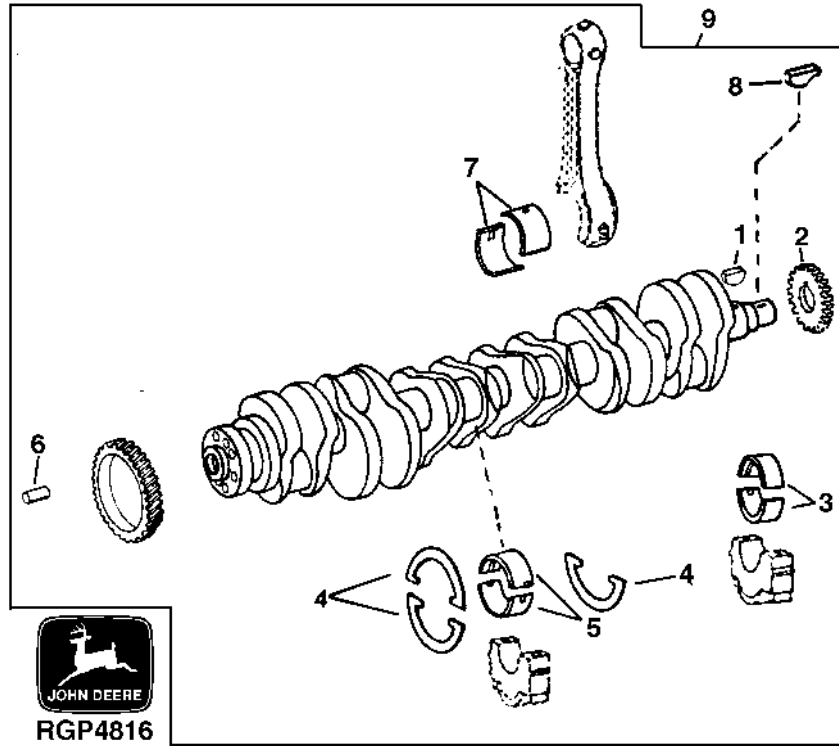
KEY	PART NO.	PART NAME	QTY	ENGINE SERIAL NO.		REMARKS
				9 5 0 5 S 0 H		
1	R120752	KEY	1	X	X	
2	R104587	GEAR	1	X	X	
3	RE504195	BEARING	6	X	X	STD
4	RE61253	THRUST WASHER	1	X	X	STD, (PKG R116084 AND R116085)
5	RE504198	THRUST BEARING	1	X	X	STD (PKG R116085)
6	R41934	DOWEL PIN	1	X	X	
7	RE57167	BEARING	6	X	X	.292 MM (.011") US (PKG (2) R121338)
8	R116311	KEY	1	X	X	
9	RE61267	CRANKSHAFT	1	X	X	.292 MM (.011") US, (MARKED RE58780 OR R122653)

1C20

ENGINE

UNDERSIZE MAIN BEARING CRANKSHAFT AND BEARING KIT

RGP4816 -UN-21OCT96

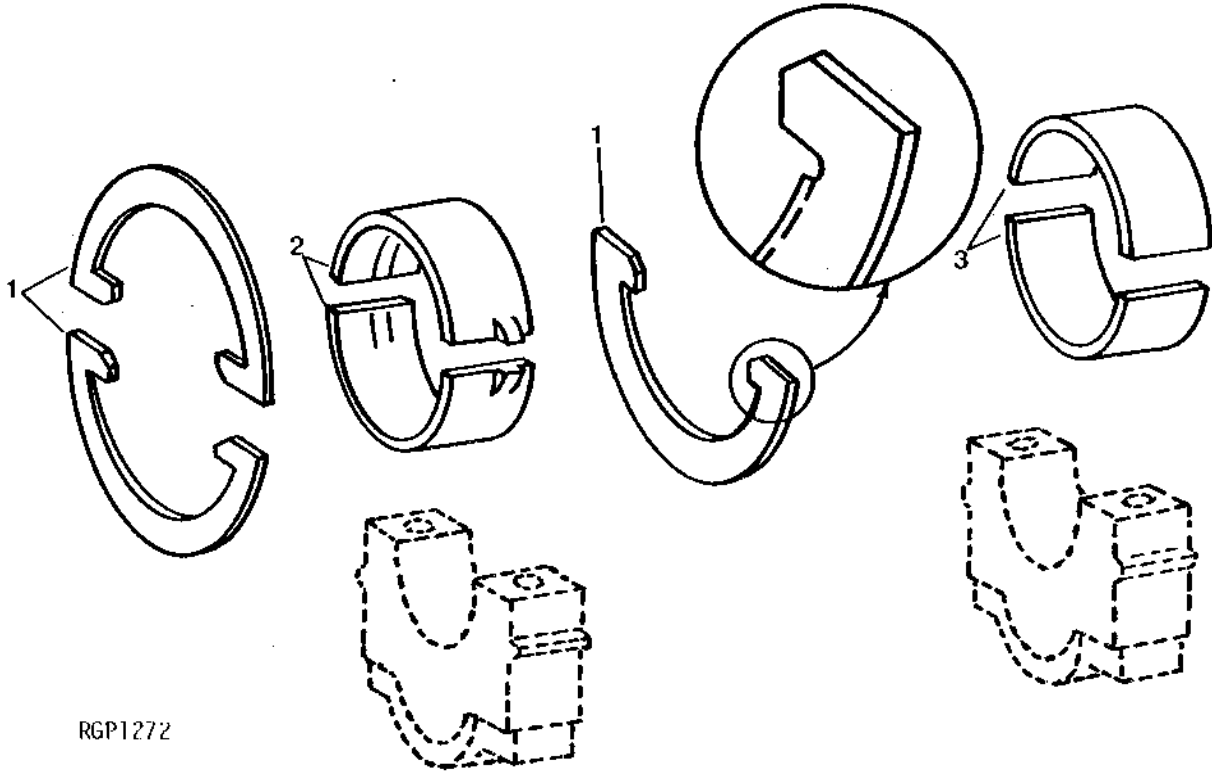


KEY	PART NO.	PART NAME	QTY	ENGINE SERIAL NO.		REMARKS
				9	5	
1	R120752	KEY	1	X	X	1/8" X 0.625"
2	R104587	GEAR	1	X	X	
3	RE57172	BEARING	6	X	X	.292 MM (.011") US (PKG R121342 AND, R121346)
4	RE61851	THRUST WASHER	1	X	X	0.18MM (.007") OS FLANGE (PKG (3) R124842)
5	RE57177	THRUST BEARING	1	X	X	.292 MM (.011") US (PKG R121350 AND, R121354)
6	R41934	DOWEL PIN	1	X	X	
7	R116081	BEARING	6	X	X	STD
8	R116311	KEY	1	X	X	
9	RE61268	CRANKSHAFT	1	X	X	(MARKED R122654 OR RE58781)

1C21

ENGINE

MAIN AND MAIN THRUST BEARINGS
RGP1272 -UN-01JAN94



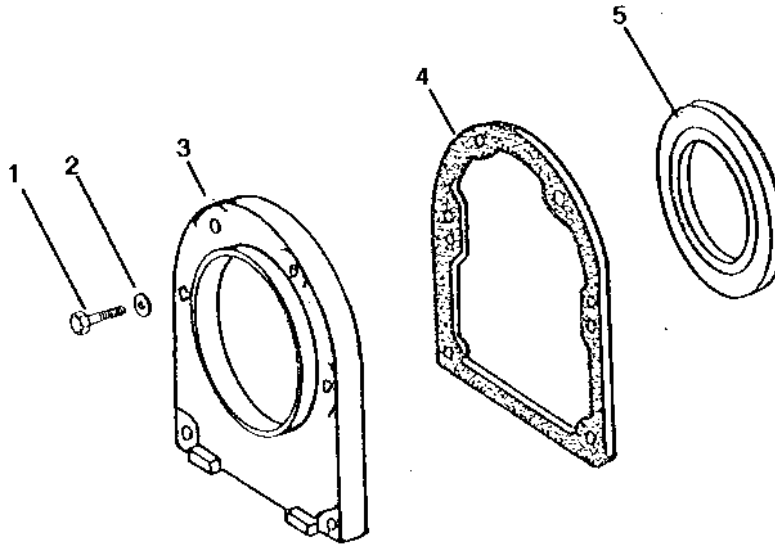
RGP1272

KEY	PART NO.	PART NAME	QTY	ENGINE SERIAL NO.	REMARKS
				9	
				5	
				9 5	
				5 0	
				5 S	
				0 H	
1	RE61253	THRUST WASHER	1	X X	STD (PKG (3) R124381)
	RE61851	THRUST WASHER	1	X X	0.18 MM (.007") (PKG (3) R124842)
2	RE504198	THRUST BEARING	1	X X	STD (PKG R116084 AND R116085) OR (R502127 AND R502128)
	RE57177	THRUST BEARING	1	X X	0.292 MM (.011") (PKG R121350 AND R121354)
	RE504200	THRUST BEARING	1	X X	0.552 MM (.022") (PKG R121351 AND R121355) OR (R502316 AND R502320)
3	RE504195	BEARING	AR	X X	STD (PKG R116082 AND R116083) OR (R502125 AND R502126)
	RE57172	BEARING	AR	X X	0.292 MM (.011") (PKG R121342 AND R121346)
	RE57173	BEARING	AR	X X	0.552 MM (.022") (PKG R121343 AND R121347)

1C22

ENGINE

CRANKSHAFT OIL SEAL AND HOUSING
RGP2382 -UN-01JAN94



RGP2382

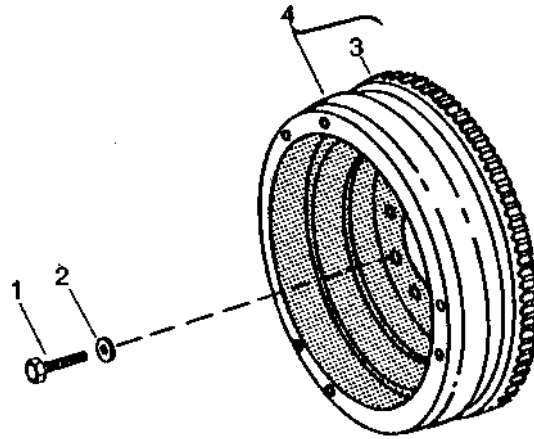
KEY	PART NO.	PART NAME	QTY	ENGINE SERIAL NO.	REMARKS
1	19H2117	CAP SCREW	6	9 5 9 5 5 0 5 S 0 H	
2	T27860	WASHER	6		5/16" X 1-1/8"
3	R125027	HOUSING	1		11/32" X 11/16" X 0.065"
4	R26058	GASKET	1		
5	RE504363	SEAL	1		(SUB FOR RE22764, THIS APPLICATION)

1C23

ENGINE

FLYWHEEL

RGP198 -UN-01JAN94



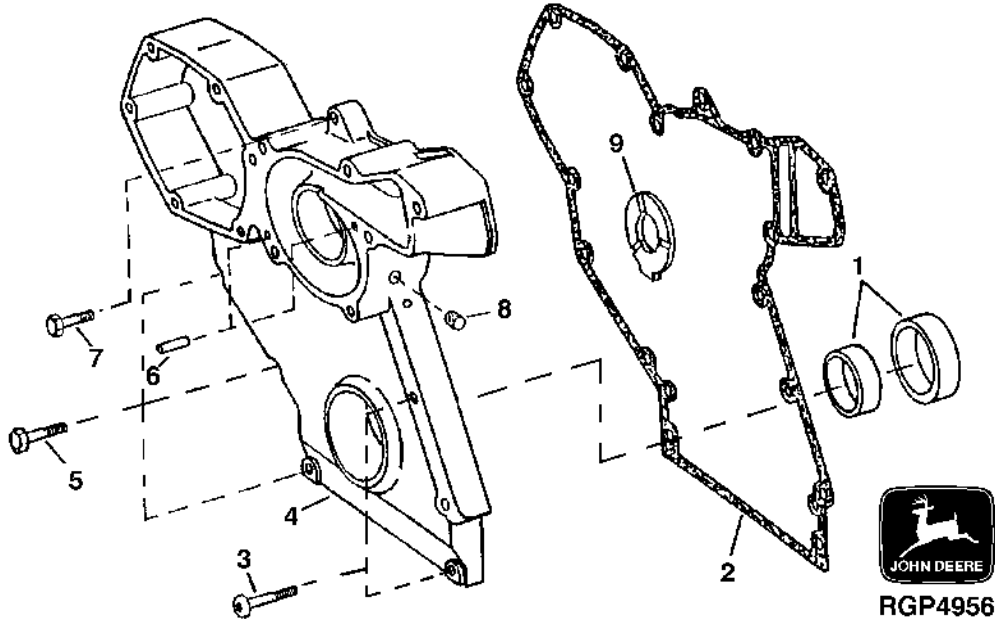
RGF198

KEY	PART NO.	PART NAME	QTY	ENGINE SERIAL NO.	9 5 9 5 5 0 5 S 0 H	REMARKS
1	R93238	CAP SCREW	6		X X	
2	T21242	WASHER	6		X X	
3	R28811	RING GEAR	1		X X	
4	RE57733	FLYWHEEL	1	-XXXXXX	X X	(MARKED R125183) (SUB RE502510)
	RE502510	FLYWHEEL	1	XXXXXX-	X X	(MARKED R501414)

1C24

ENGINE

TIMING GEAR COVER
RGP4956 -UN-20AUG97



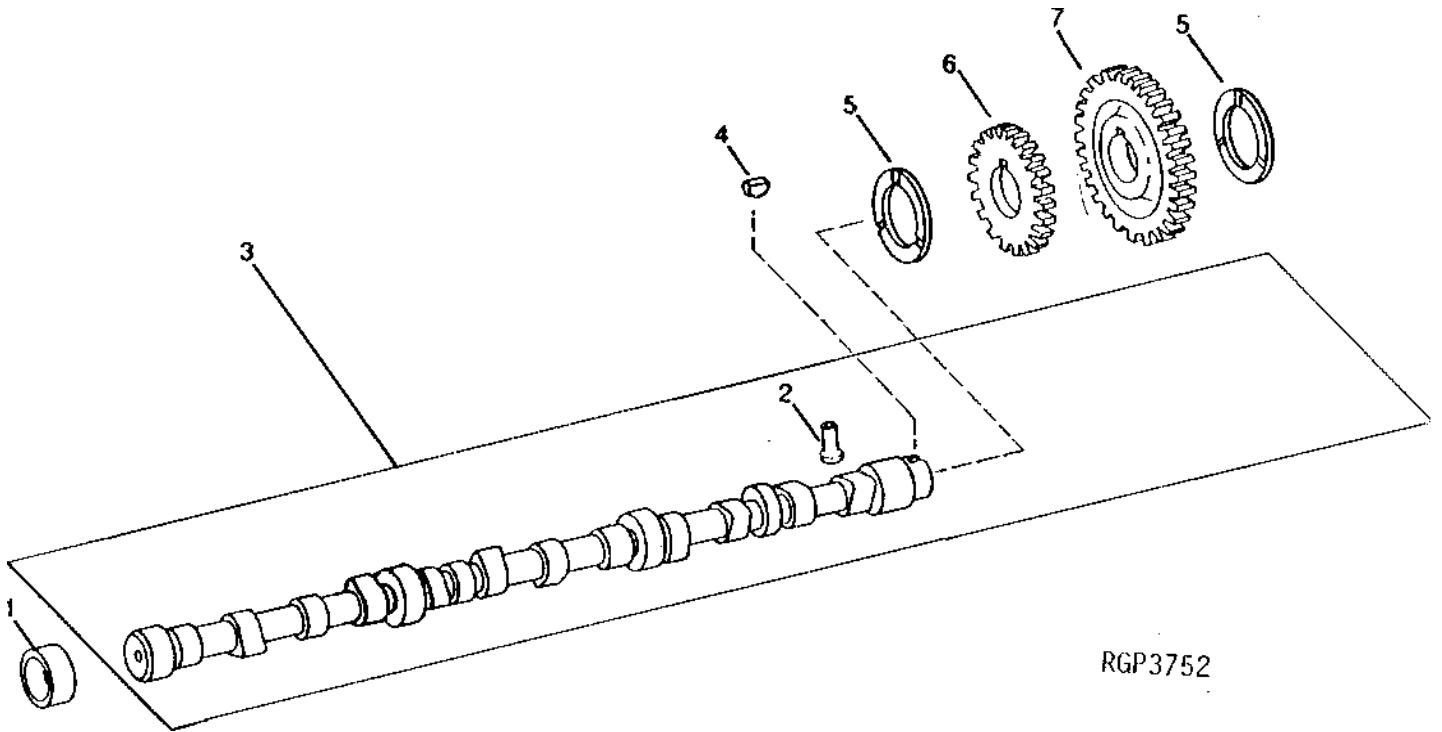
KEY	PART NO.	PART NAME	QTY	ENGINE SERIAL NO.	REMARKS
				9	
				5	
				9 5	
				5 0	
				5 S	
				0 H	
1	AR49025	SEAL	1	X X	
2	R119384	GASKET	1	X X	
3	R115129	CAP SCREW	3	X X	
4	R502081	COVER	1	X X	
5	R104859	CAP SCREW	3	X X	
6	R11086	DOWEL PIN	2	X X	
7	19H3693	CAP SCREW	1	X X	3/8" X 1-1/4"
8	R98527	FILTER	1	X X	(WATER PUMP)
9	R104656	THRUST WASHER	1	X X	

1C25

ENGINE

CAMSHAFT
RGP3752

-UN-01JAN94



KEY	PART NO.	PART NAME	QTY	ENGINE SERIAL NO.	REMARKS
1	R87561	BUSHING	4		
2	R110126	CAM FOLLOWER	12		
3	RE57054	CAMSHAFT	1		
4	26H91	SHAFT KEY	1		
5	R104656	THRUST WASHER	1		
6	R104589	GEAR	1		
7	R112053	GEAR	1		

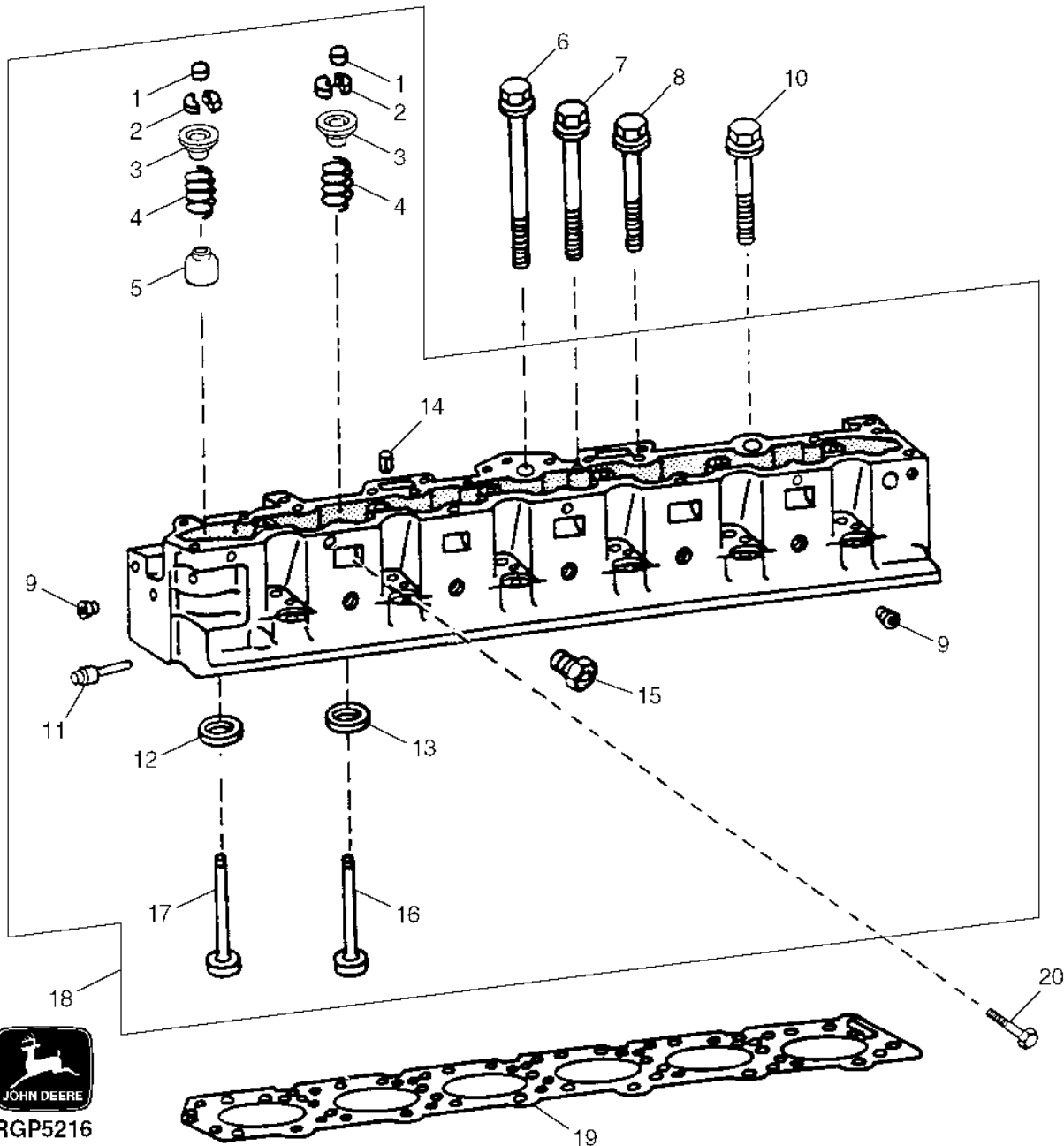
9
5
9 5
5 0
5 S
0 H

MEMORANDA

1D1

ENGINE

CYLINDER HEAD
RGP5216 -UN-16JUN99



1D2

ENGINE

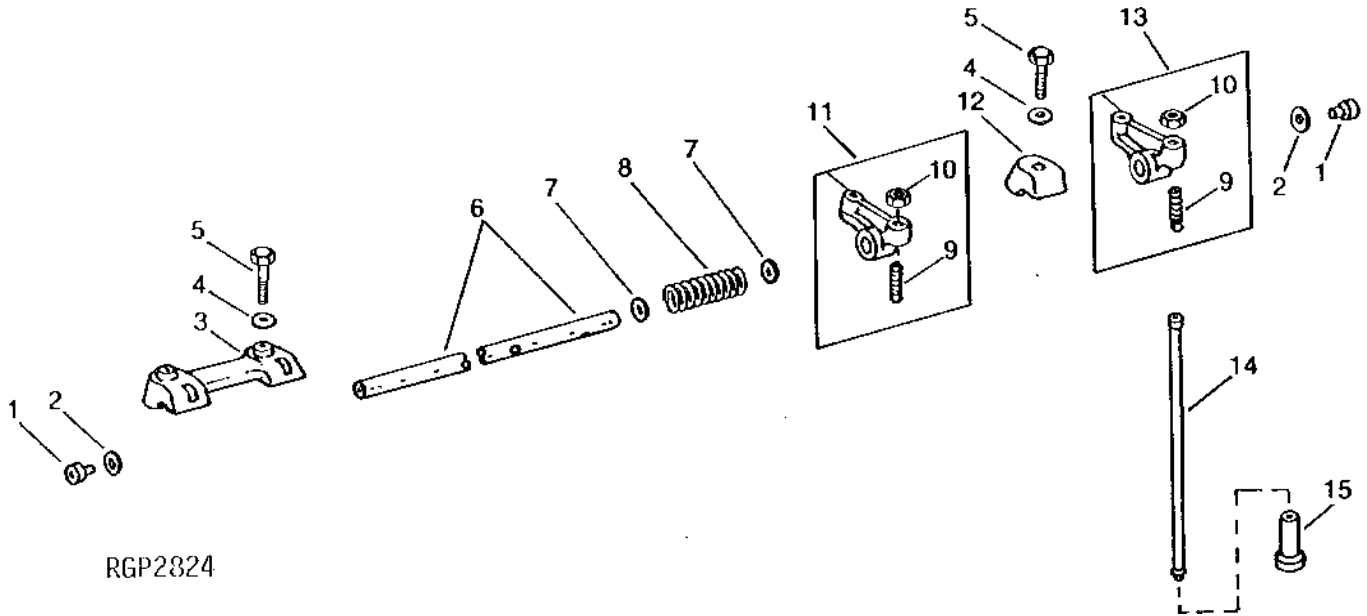
CYLINDER HEAD - CONTINUED

KEY	PART NO.	PART NAME	QTY	ENGINE SERIAL NO.	9 5 9 5 5 0 5 S 0 H		REMARKS
1	T20129	CAP	12		X	X	
2	T20077	RETAINER	24		X	X	
3	R136320	CAP	12		X	X	
4	R91822	SPRING	12		X	X	
5	R102882	SHIELD	6		X	X	(EXHAUST VALVES ONLY)
6	R121491	CAP SCREW	7		X	X	203 MM (8.0") (MARKED "SPECIAL")
7	R121490	CAP SCREW	8		X	X	175 MM (6.9") (MARKED "SPECIAL")
8	R121320	CAP SCREW	6		X	X	134 MM (5.3") (MARKED "SPECIAL")
9	15H690	PIPE PLUG	10		X	X	3/4"
10	R121489	CAP SCREW	5		X	X	149 MM (5.9") (MARKED "SPECIAL")
11	AT107509	PLUG	1		X	X	
12	R119132	VALVE SEAT INSERT	6		X	X	EXHAUST
13	R121193	VALVE SEAT INSERT	6		X	X	INTAKE
14	34H387	SPRING PIN	1		X	X	3/16" X 3/4"
15	RE501737	PIPE PLUG	1		X	X	
16	R84618	INTAKE VALVE	6		X	X	STD
	R93308	INTAKE VALVE	AR		X	X	0.08MM (.003") OS
	R93312	INTAKE VALVE	AR		X	X	0.38MM (.015") OS
	R93314	INTAKE VALVE	AR		X	X	0.76MM (.030") OS
17	R84619	EXHAUST VALVE	6		X	X	STD
	R93311	EXHAUST VALVE	AR		X	X	0.08MM (.003") OS
	R93313	EXHAUST VALVE	AR		X	X	0.38MM (.015") OS
	R93315	EXHAUST VALVE	AR		X	X	0.76MM (.030") OS
18	RE57750	CYLINDER HEAD	1		X	X	(MARKED R122419 OR R122492)
19	RE55475	ENGINE CYLINDER HEAD GASKET	1		X	X	
20	19H2367	CAP SCREW	1		X	X	5/8" X 3/4"
..	RG24026	KIT	1		X	X	(CONTAINS (26) "SPECIAL" HEAD BOLTS)

1D3

ENGINE

ROCKER ARM SHAFT
RGP2824 -UN-01JAN94



RGP2824

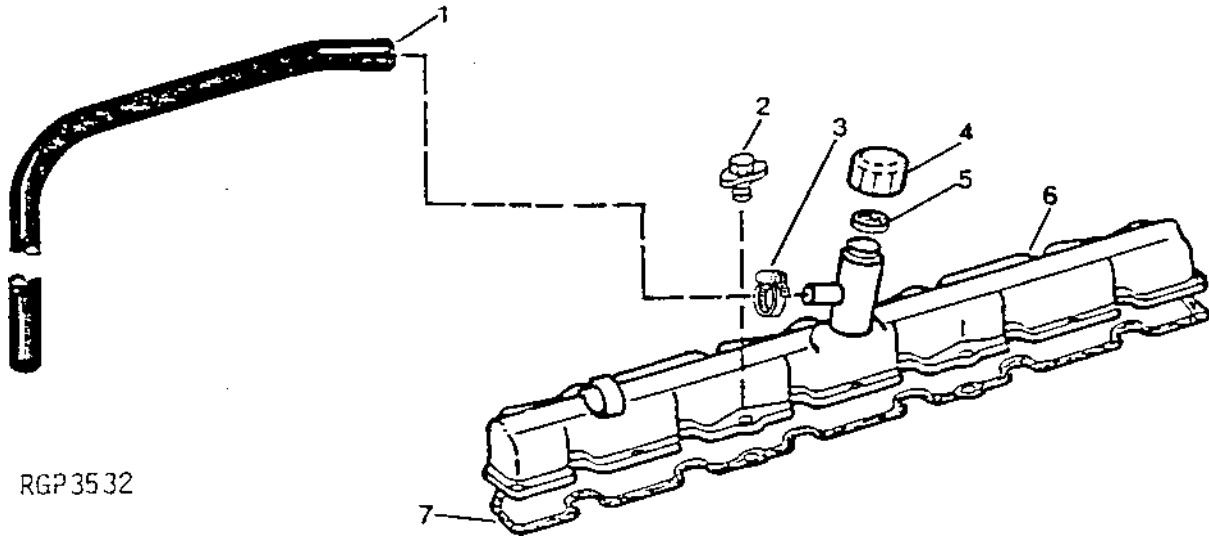
KEY	PART NO.	PART NAME	QTY	ENGINE SERIAL NO.	REMARKS
				9	
				5	
				9 5	
				5 0	
				5 S	
				0 H	
1	R54565	PLUG	2	X X	
2	R26081	WASHER	2	X X	
3	R136083	CLAMP	2	X X	
4	R26559	WASHER	6	X X	
5	19H1740	CAP SCREW	6	X X	7/16" X 1-3/4"
6	R70826	ROCKER ARM SHAFT	1	X X	
7	R71208	WASHER	10	X X	
8	R26079	SPRING	5	X X	
9	R27443	SET SCREW	12	X X	
10	14H1080	NUT	12	X X	3/8"
11	RE24045	ROCKER ARM	6	X X	(A) (1E, 2I, 3E, 4I, 5E, 6I) (RH)
12	R26748	CLAMP	2	X X	
13	RE24046	ROCKER ARM	6	X X	(A) (1I, 2E, 3I, 4E, 5I, 6E) (LH)
14	R85027	PUSH ROD	12	X X	
15	R110126	CAM FOLLOWER	12	X X	

(A) - E (EXHAUST VALVE) - I (INTAKE VALVE)

1D4

ENGINE

ROCKER ARM COVER
RGP3532 -UN-01JAN94



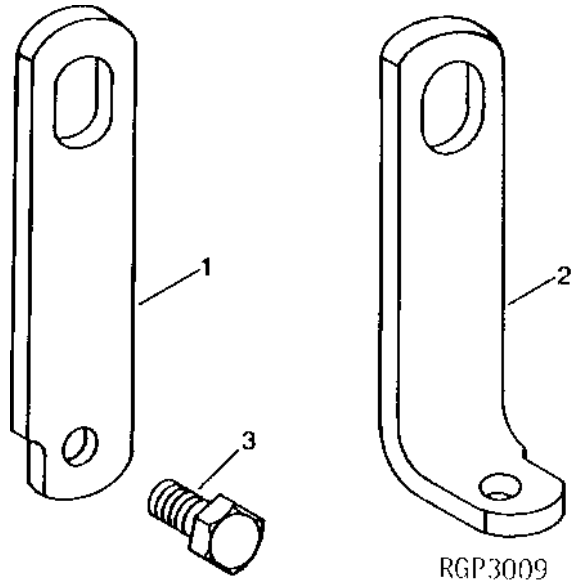
RGP 35 32

KEY	PART NO.	PART NAME	QTY	ENGINE SERIAL NO.	REMARKS
				9 5 9 5 5 0 5 S 0 H	
1	BULK HOSE	AR	X X	(BULK)
2	AR100124	SCREW, WITH WASHER	8	X X	
3	TY22467	CLAMP	1	X X	
4	T20294	CAP	1	X X	
5	T20328	GASKET	1	X X	
6	AR93173	COVER	1	X X	
7	R49866	GASKET	1	X X	
..	TY24446	ADHESIVE	1	X X	

1D5

ENGINE

LIFT STRAPS
RGP3009 -UN-01JAN94



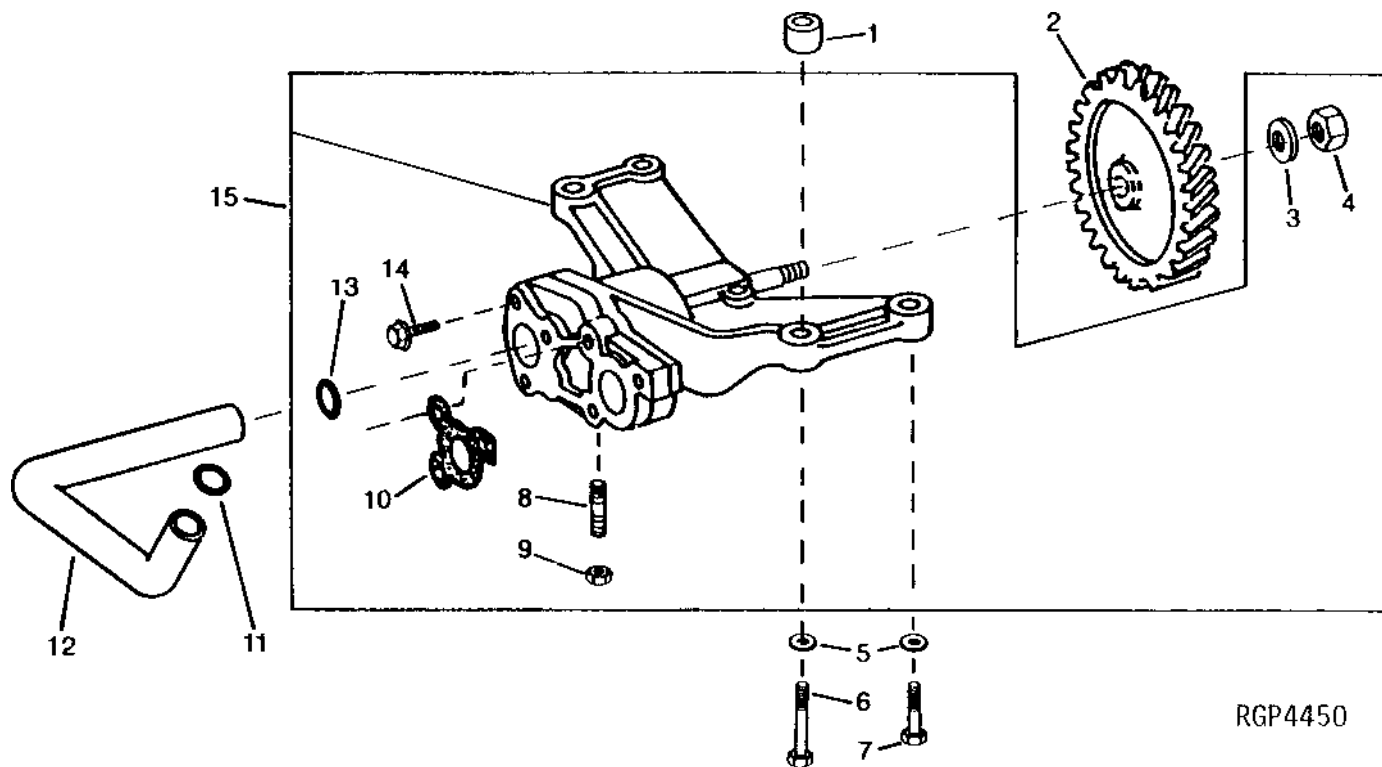
KEY	PART NO.	PART NAME	QTY	ENGINE SERIAL NO.	REMARKS
1	R61497	STRAP	1	9 5 9 5 5 0 5 S 0 H	
2	R86571	ANGLE	1		
3	19H1756	CAP SCREW	2		5/8" X 1-1/2"

MEMORANDA

1D6

ENGINE

OIL PUMP
RGP4450 -UN-03MAR95



RGP4450

1D7

ENGINE

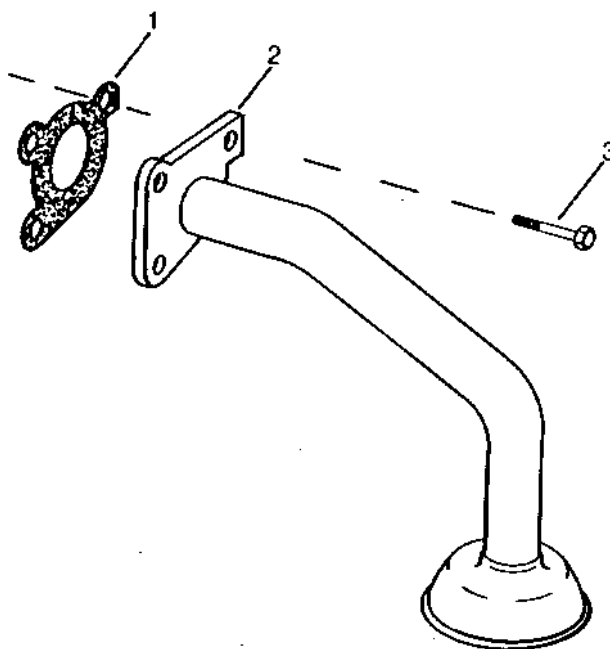
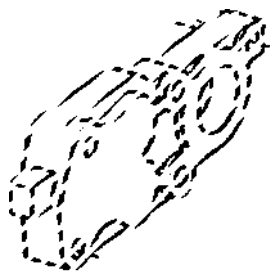
OIL PUMP - CONTINUED

KEY	PART NO.	PART NAME	QTY	ENGINE SERIAL NO.	9	REMARKS
					5	
					9	
					5	
					9	
					5	
					5	
					0	
					5	
					S	
					0	
					H	
1	R500642	BUSHING	2		X X	
2	R62938	GEAR	1		X X	
3	T21242	WASHER	1		X X	
4	14H826	NUT	1		X X	1/2"
5	R57696	WASHER	4		X X	
6	19H2549	CAP SCREW	2		X X	3/8" X 1-7/8"
7	19H3219	CAP SCREW	2		X X	3/8" X 1-3/8"
8	22H1040	SET SCREW	1		X X	5/16" X 1-1/4"
9	14H785	NUT	1		X X	5/16"
10	R100569	GASKET	1		X X	
11	R71732	O-RING	1		X X	
12	R116718	OIL TUBE	1		X X	
13	R71732	O-RING	1		X X	
14	R104628	CAP SCREW	5		X X	
15	RE60622	OIL PUMP	1		X X	(MARKED R124328)

1D8

ENGINE

ENGINE OIL PUMP INTAKE
RGP3629 -UN-01JAN94



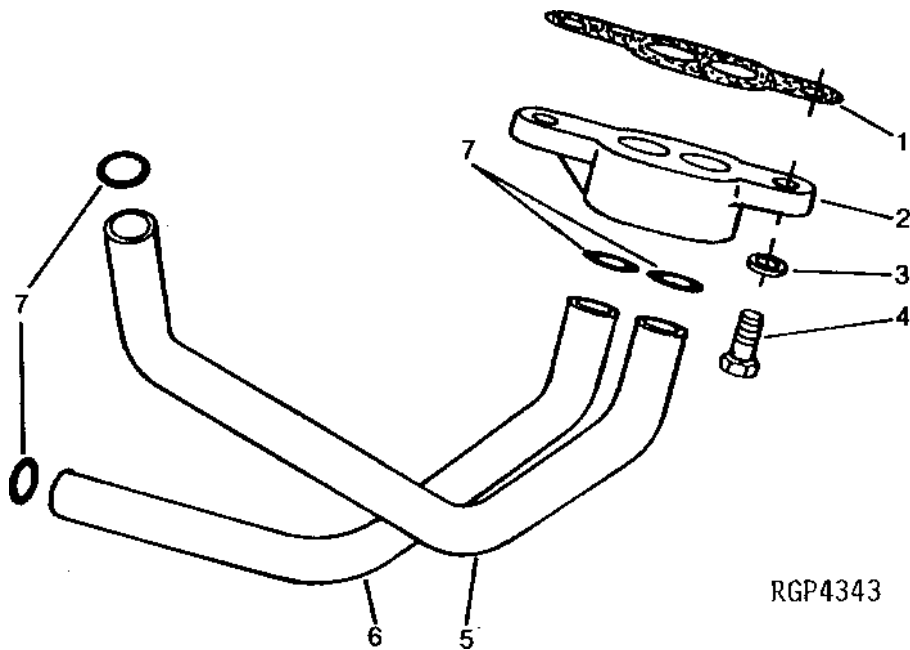
RGP3629

KEY	PART NO.	PART NAME	QTY	ENGINE SERIAL NO.	REMARKS
				9 5 9 5 5 0 5 S 0 H	
1	R100569	GASKET	1		X X
2	RE60546	OIL PUMP INTAKE	1		X X
3	R104628	CAP SCREW	3		X X

1D9

ENGINE

OIL COOLER BYPASS VALVE
RGP4343 -UN-01JAN94



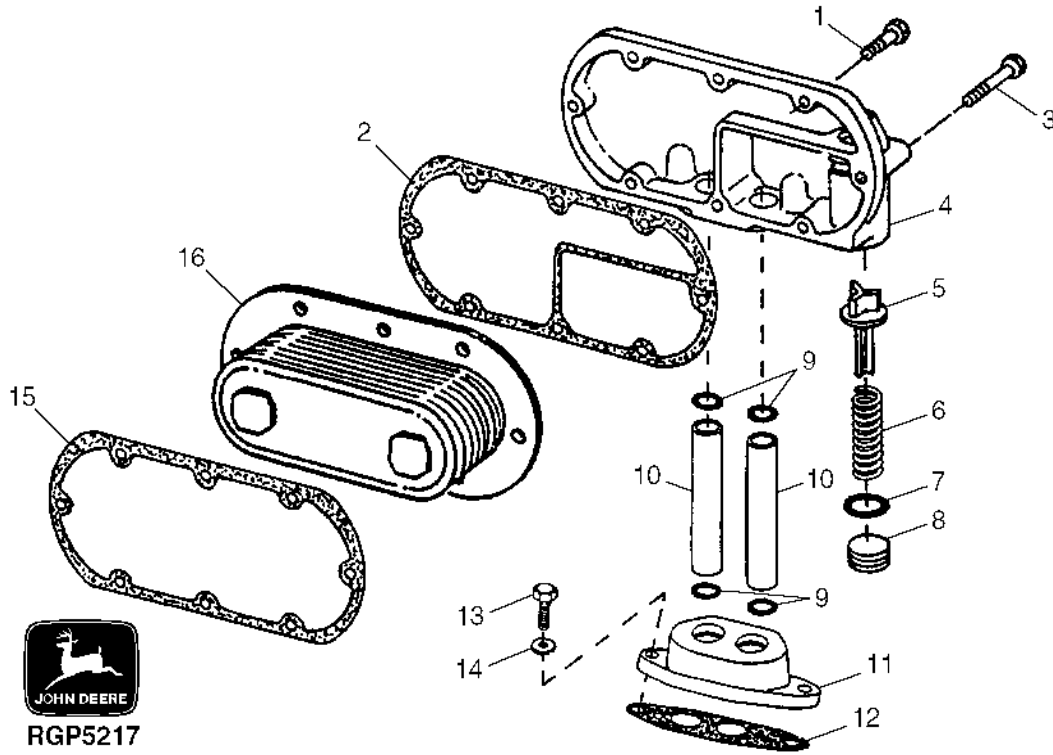
KEY	PART NO.	PART NAME	QTY	ENGINE SERIAL NO.	REMARKS
1	R109625	GASKET	1	9 5 9 5 5 0 5 S 0 H	
2	R116233	ADAPTER	1		
3	24M7096	WASHER	2		10.500 X 18 X 1.600 MM
4	R40236	CAP SCREW	2		
5	R126337	OIL TUBE	1		
6	R116718	OIL TUBE	1		
7	R71732	O-RING	4		

1D10

ENGINE

OIL COOLER

RGP5217 -UN-16JUN99



9
5
9 5
5 0
5 S
0 H

KEY	PART NO.	PART NAME	QTY	ENGINE SERIAL NO.	REMARKS
1	19H3768	CAP SCREW	5	X X	5/16" X 1-3/8"
2	R132396	GASKET	1	X X	
3	19H3769	CAP SCREW	3	X X	5/16" X 2-1/2"
4	R134602	COVER	1	X X	
5	R500055	VALVE	1	X X	
6	R98064	SPRING	1	X X	
7	U17409	O-RING	1	X X	
8	R121163	FITTING PLUG	1	X X	
9	R47153	O-RING	4	X X	
10	R51053	OIL TUBE	2	X X	
11	R127297	ADAPTER	1	X X	
12	R50424	GASKET	2	X X	
13	19H3483	CAP SCREW	2	X X	3/8" X 1-1/8"
14	24M7096	WASHER	2	X X	10.500 X 18 X 1.600 MM
15	AR58952	GASKET	1	X X	
16	AR55394	OIL COOLER	1	X X	

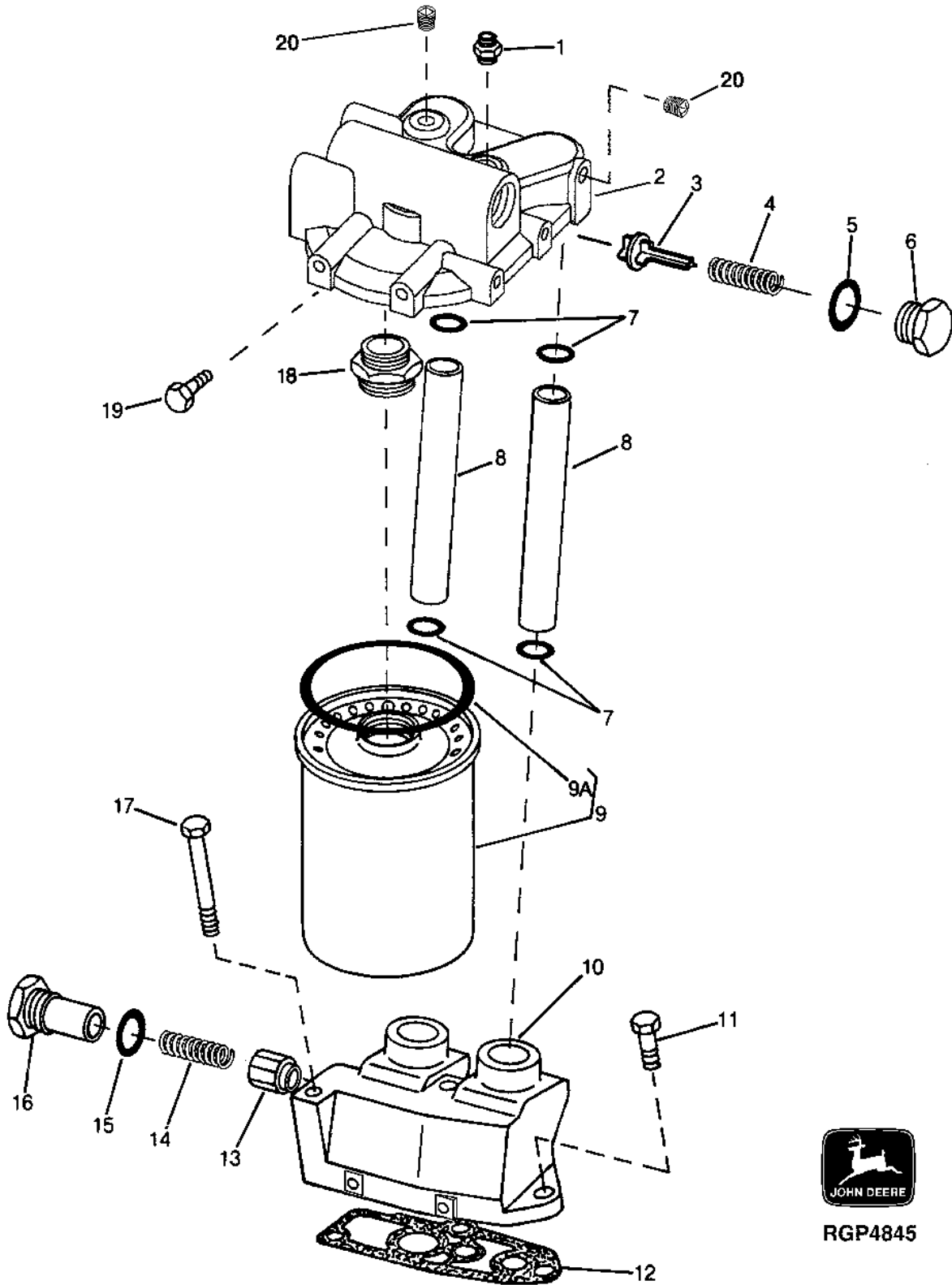
MEMORANDA

1D11

ENGINE

OIL FILTER
RGP4845

-UN-18DEC96



RGP4845

1D12

ENGINE

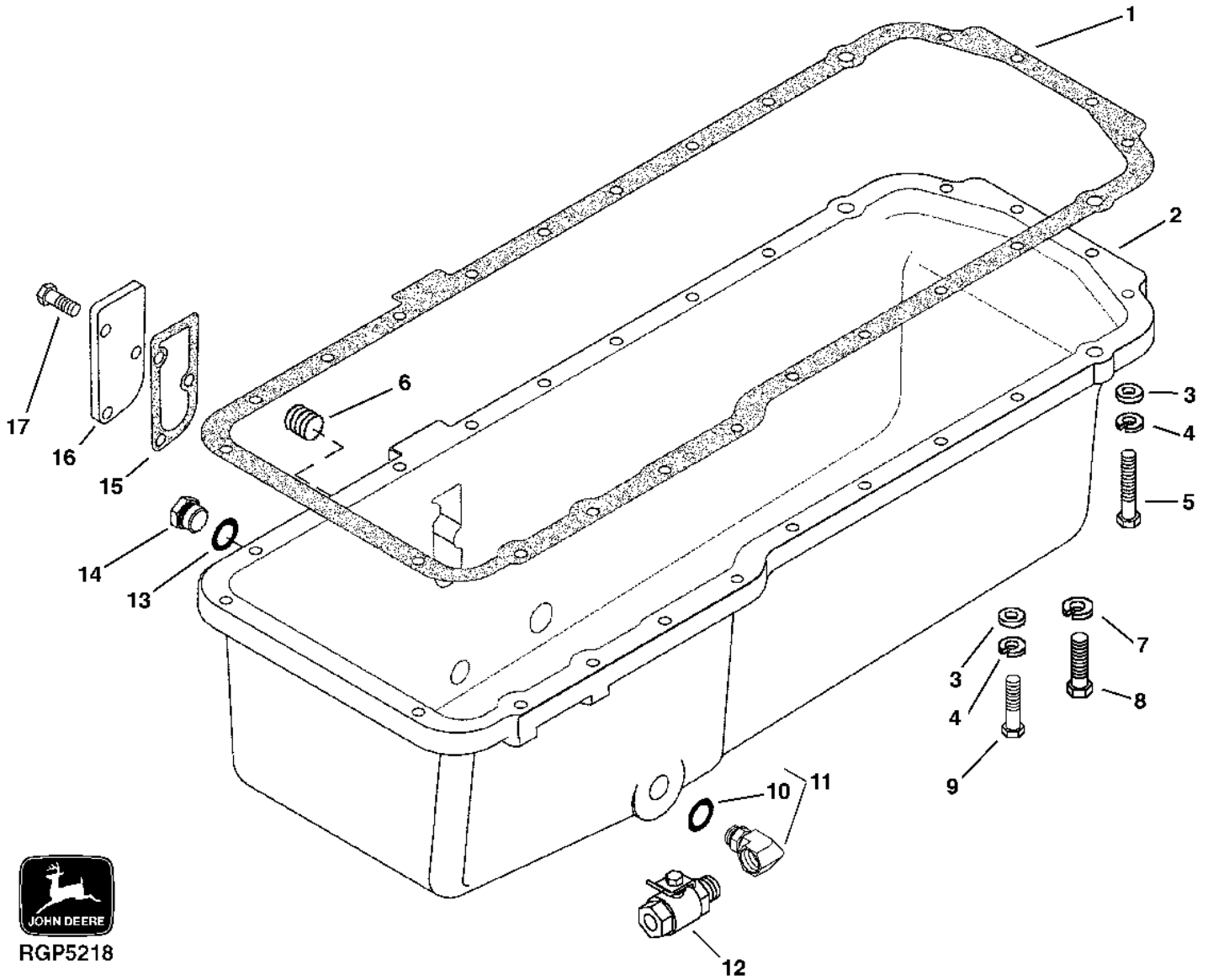
OIL FILTER - CONTINUED

KEY	PART NO.	PART NAME	QTY	ENGINE SERIAL NO.	9	REMARKS
					5	
					9	
					5	
					9	
					5	
					0	
					5	
					S	
					0	
					H	
1	RE57561	CONNECTOR	1		X X	
2	R128694	BASE	1		X X	
3	R500055	VALVE	1		X X	
4	R98064	SPRING	1		X X	
5	U17409	O-RING	1		X X	
6	R117073	FITTING PLUG	1		X X	
7	R47153	O-RING	4		X X	
8	R86063	TUBE	2		X X	
9	RE57394	OIL FILTER	1		X X	(MARKED RE57394)
9A	R43660	PACKING	1		X X	
10	R129820	HOUSING	1		X X	
11	19H3239	CAP SCREW	1		X X	3/8" X 1-1/4"
12	R119847	GASKET	1		X X	
13	R124186	RELIEF VALVE	1		X X	
14	R500330	SPRING	1		X X	
15	U17409	O-RING	1		X X	
16	R129821	FITTING PLUG	1		X X	
17	19H3445	CAP SCREW	2		X X	3/8" X 3-3/4"
18	R104621	ADAPTER	1		X X	
19	19H3104	CAP SCREW	2		X X	7/16" X 1-1/4"
20	RE71255	PIPE PLUG	2		X X	

1D13

ENGINE

OIL PAN
RGP5218 -UN-16JUN99



RGP5218

1D14

ENGINE

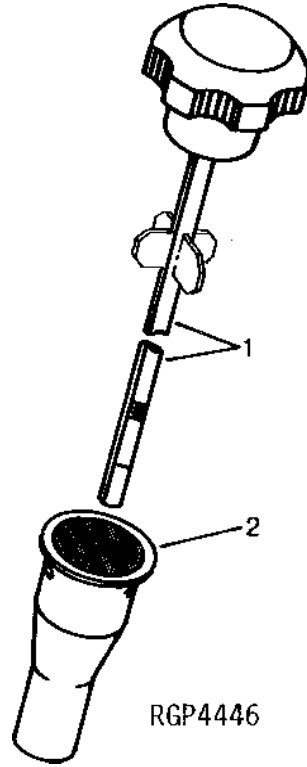
OIL PAN - CONTINUED

KEY	PART NO.	PART NAME	QTY	ENGINE SERIAL NO.	REMARKS
				9	
				5	
				9	
				5	
				0	
				5	
				S	
				0	
				H	
1	RE504822	GASKET	1	X X	(SUB FOR R49376)
2	R500354	PAN	1	X X	(SHALLOW SUMP) (ORDER R500355, R127873, RE63439 AND (3) 19H1731)
	R500355	PAN	1	X X	(SHALLOW SUMP) (SERVICE ONLY)
3	24H1305	WASHER	22	X X	13/32" X 13/16" X 0.065"
4	M72490	WASHER	22	X X	
5	19H3485	CAP SCREW	4	X X	3/8" X 2"
6	15H690	PIPE PLUG	1	X X	3/4"
7	R135895	WASHER	2	X X	
8	19H2473	CAP SCREW	2	X X	1/2" X 1-3/4"
9	19H1651	CAP SCREW	18	X X	3/8" X 1-1/2"
10	R47151	O-RING	1	X X	
11	RE500318	ELBOW FITTING	1	X X	
12	RE32856	VALVE	1	X X	
13	R47151	O-RING	1	X X	
14	R27474	DRAIN PLUG	1	X X	
15	RE63439	GASKET	1	X X	(USE WITH R500355)
16	R127873	COVER	1	X X	(USE WITH R500355)
17	19H1731	CAP SCREW	3	X X	3/8" X 1", (USE WITH R500355)

1D15

ENGINE

ENGINE OIL DIPSTICK
RGP4446 -UN-03MAR95



KEY	PART NO.	PART NAME	QTY	ENGINE SERIAL NO.	REMARKS
1	RE500216	DIPSTICK	1	X X	
2	R121765	DIPSTICK TUBE	1	X X	141.5 MM (5.57")

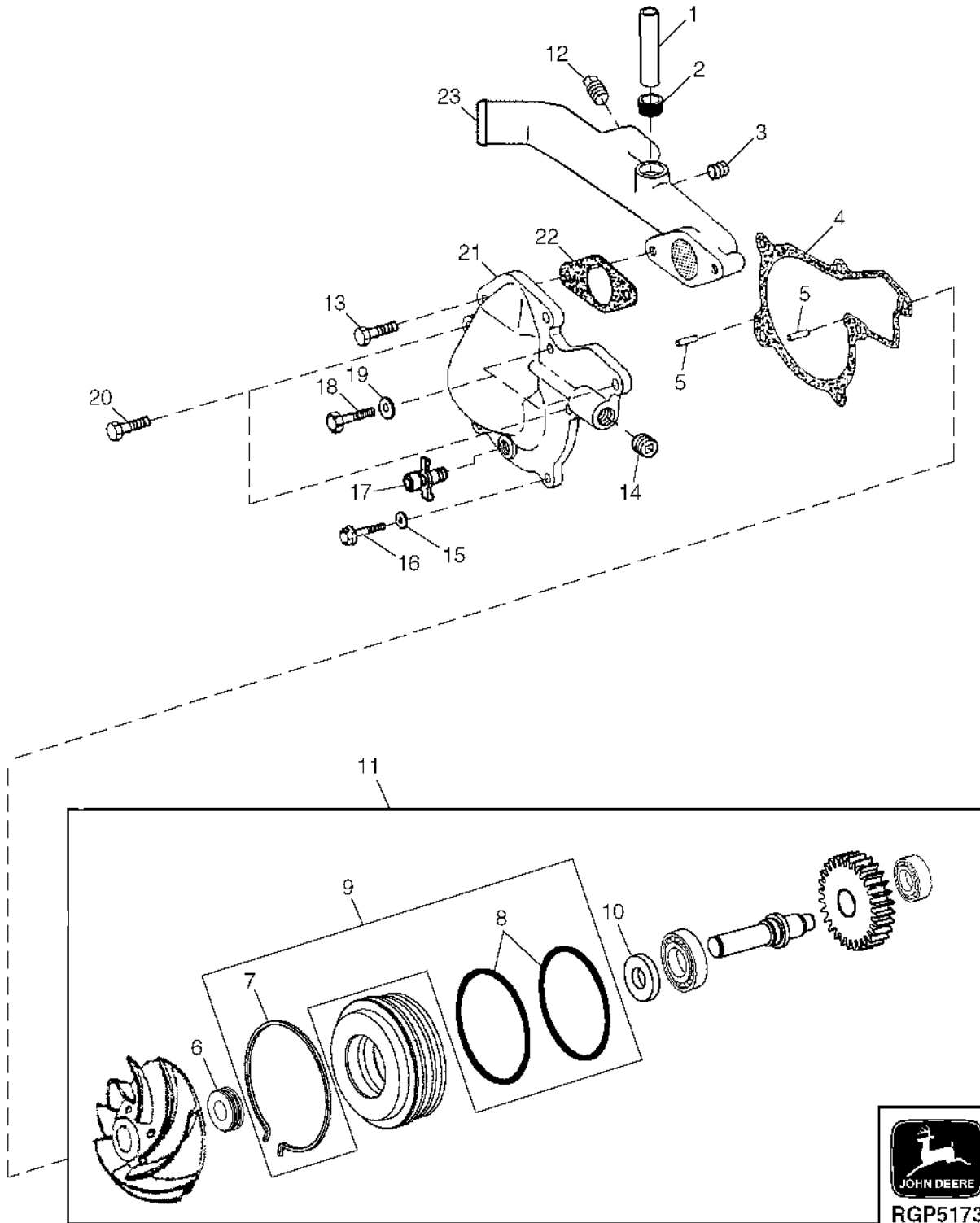
9
5
9 5
5 0
5 S
0 H

MEMORANDA

1D16

ENGINE

WATER PUMP
RGP5173 -UN-20APR99



1D17

ENGINE

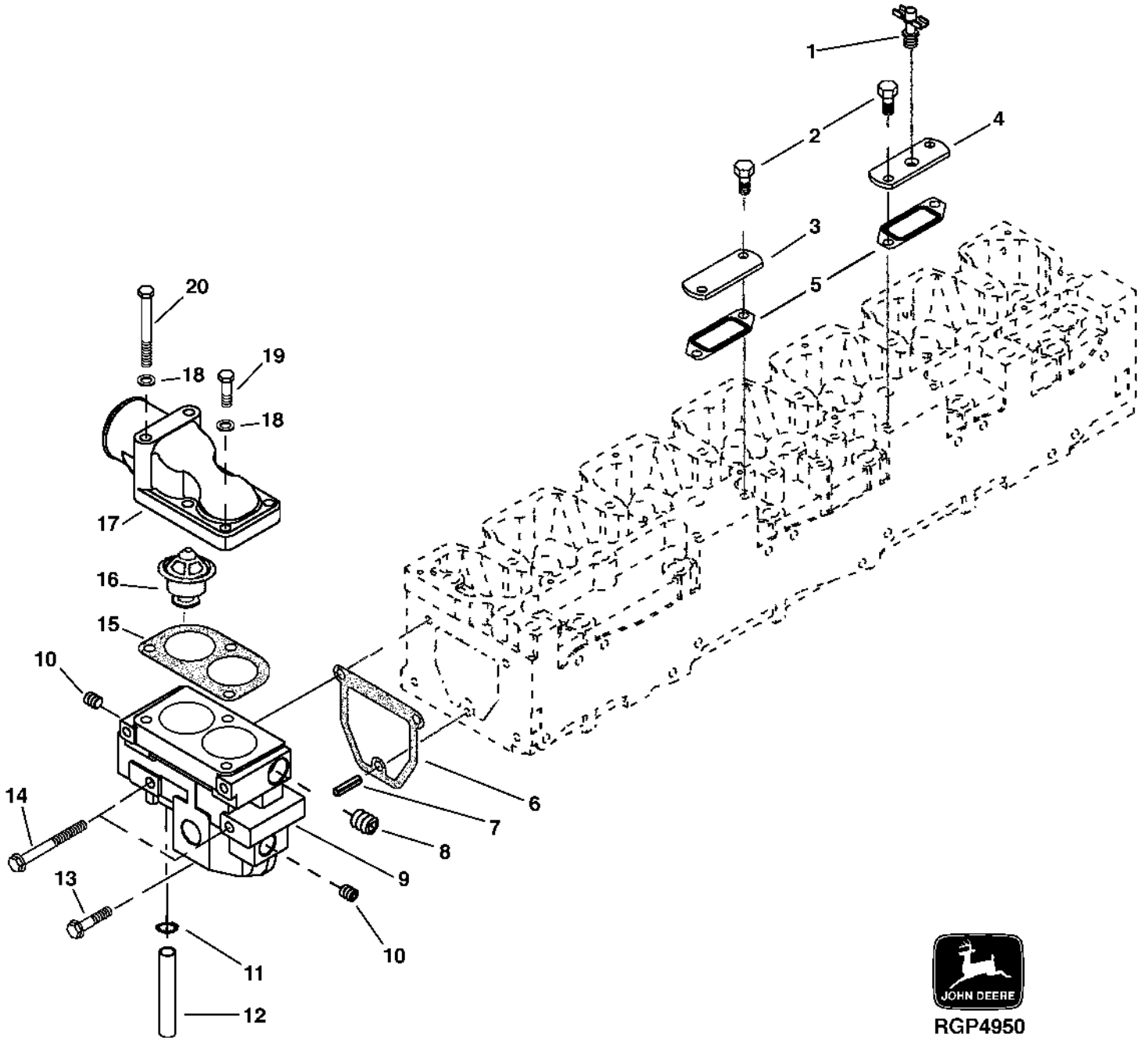
WATER PUMP - CONTINUED

KEY	PART NO.	PART NAME	QTY	ENGINE SERIAL NO.	9 5 9 5 5 0 5 S 0 H		REMARKS
1	R125025	TUBE	1		X	X	
2	RE57190	SEAL	1		X	X	
3	15H685	PIPE PLUG	1		X	X	1/4"
4	R119383	GASKET	1		X	X	
5	R11086	DOWEL PIN	2		X	X	
6	O-RING	NA		X	X	
7	SEAL KIT	NA		X	X	
8	R98527	FILTER	1		X	X	
9	RE69844	KIT	1		X	X	(WATER PUMP SEAL) (INCLUDES INSTALLATION TOOL)
10	R121316	RING	1		X	X	(RETAINING)
11	R122430	O-RING	2		X	X	
	RE502154	KIT	1		X	X	(CONTAINS RETAINING RING AND (2) O-RINGS)
12	RE39134	SEAL	1		X	X	(OIL)
13	RE57154	WATER PUMP	1		X	X	Z=16, (LOW FLOW) (MARKED R119795)
14	15H685	PIPE PLUG	1		X	X	1/4"
15	24H1136	WASHER	1		X	X	11/32" X 11/16" X 0.065"
16	19H1897	CAP SCREW	1		X	X	5/16" X 3-3/4"
17	AT13740	DRAIN VALVE	1		X	X	
18	19H1854	CAP SCREW	3		X	X	3/8" X 3-3/4"
19	24M7096	WASHER	3		X	X	10.500 X 18 X 1.600 MM
20	19H3411	CAP SCREW	2		X	X	3/8" X 1-1/8", (WATER PUMP COVER TO TIMING GEAR COVER)
21	R124741	COVER	1		X	X	(RIGHT HAND)
22	R125072	GASKET	1		X	X	
23	R501465	HOUSING	1		X	X	
24	15H584	PIPE PLUG	1		X	X	1/2"
..	15H624	PIPE PLUG	1		X	X	1/2", (HEATER COOLANT OUTLET)

1D18

ENGINE

WATER MANIFOLD / THERMOSTAT
RGP4950 -UN-15AUG97



1D19

ENGINE

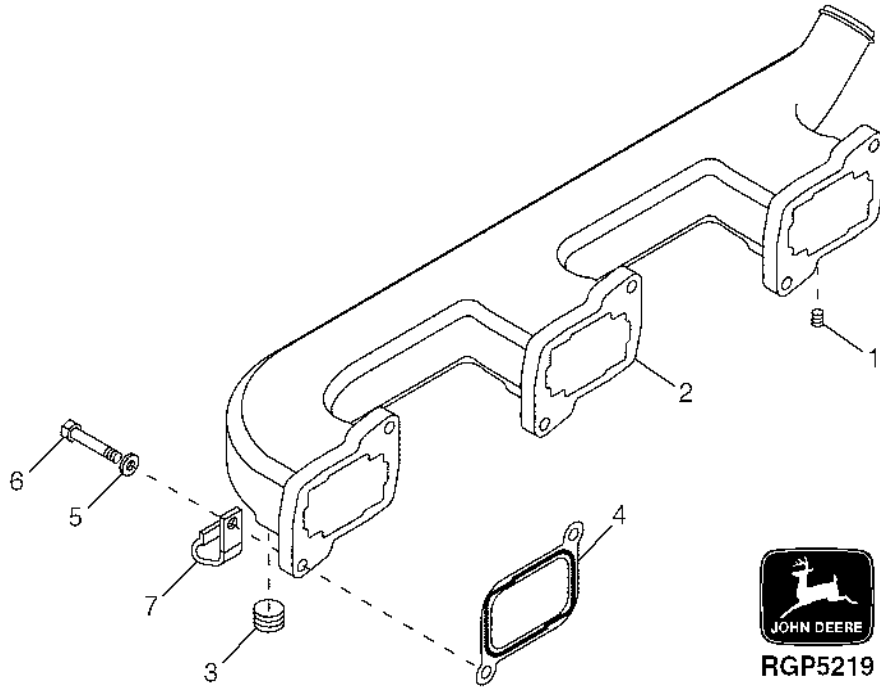
WATER MANIFOLD / THERMOSTAT - CONTINUED

KEY	PART NO.	PART NAME	QTY	ENGINE SERIAL NO.	9 5 9 5 5 0 5 S 0 H		REMARKS
1	AT13740	DRAIN VALVE	1		X	X	
2	T53268	BOLT	4		X	X	
3	R86061	STRAP	1		X	X	
4	R114160	COVER	1		X	X	
5	R88397	GASKET	2		X	X	
6	R124211	GASKET	1		X	X	
7	34H329	SPRING PIN	1		X	X	5/16" X 1-1/4"
8	15H690	PIPE PLUG	1		X	X	3/4"
9	R500197	MANIFOLD	1		X	X	
10	RE57836	PIPE PLUG	2		X	X	
11	R72328	O-RING	2		X	X	
12	R125025	TUBE	1		X	X	
13	19H3772	CAP SCREW	1		X	X	3/8" X 1-3/4"
14	R133998	CAP SCREW	2		X	X	
15	R124607	GASKET	1		X	X	
16	RE69581	THERMOSTAT	2		X	X	
17	R89439	COVER	1		X	X	
18	24H1302	WASHER	3		X	X	13/32" X 11/16" X 0.035"
19	19H3239	CAP SCREW	2		X	X	3/8" X 1-1/4"
20	19H2639	CAP SCREW	1		X	X	3/8" X 3-3/8"
..	N102039	CAP	1		X	X	(BEARING BORE)

1D20

ENGINE

INTAKE MANIFOLD
RGP5219 -UN-16JUN99

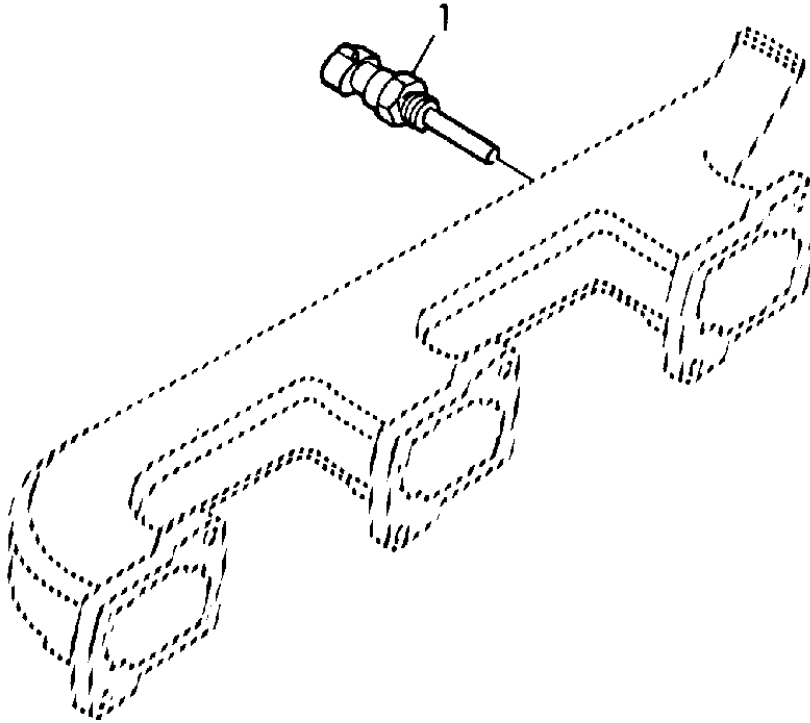


KEY	PART NO.	PART NAME	QTY	ENGINE SERIAL NO.	REMARKS
1	RE71255	PIPE PLUG	1	9 5 9 5 5 5 0 H	
2	R132290	INTAKE MANIFOLD	1	X X	
3	15H690	PIPE PLUG	1	X X	3/4", (REAR)
4	R130573	GASKET	3	X X	
5	24H1682	WASHER	6	X X	13/32" X 7/8" X 0.120"
6	19H1651	CAP SCREW	6	X X	3/8" X 1-1/2"
7	T32231	CLAMP	1	X X	

1D21

ENGINE

AFTERCOOLER AND INTAKE MANIFOLD
ZX016683 -UN-25FEB99



ZX 016683

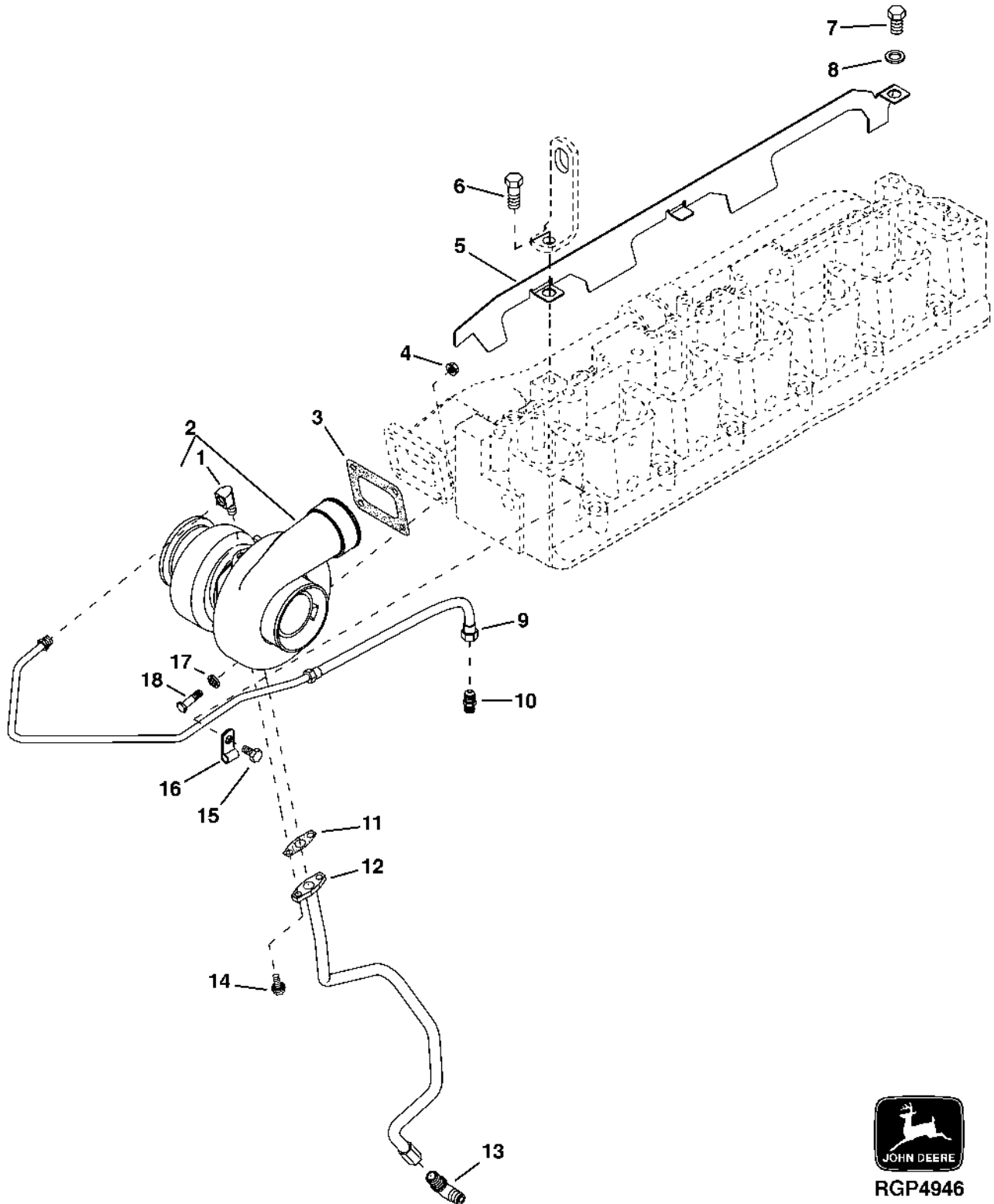
KEY	PART NO.	PART NAME	QTY	SERIAL NO.	9 5 9 5 5 0 5 S 0 H	REMARKS
1	AH156145	SENSOR	1		X X	

1D22

ENGINE

TURBOCHARGER AND OIL LINES

RGP4946 -UN-15AUG97



RGP4946

1D23

ENGINE

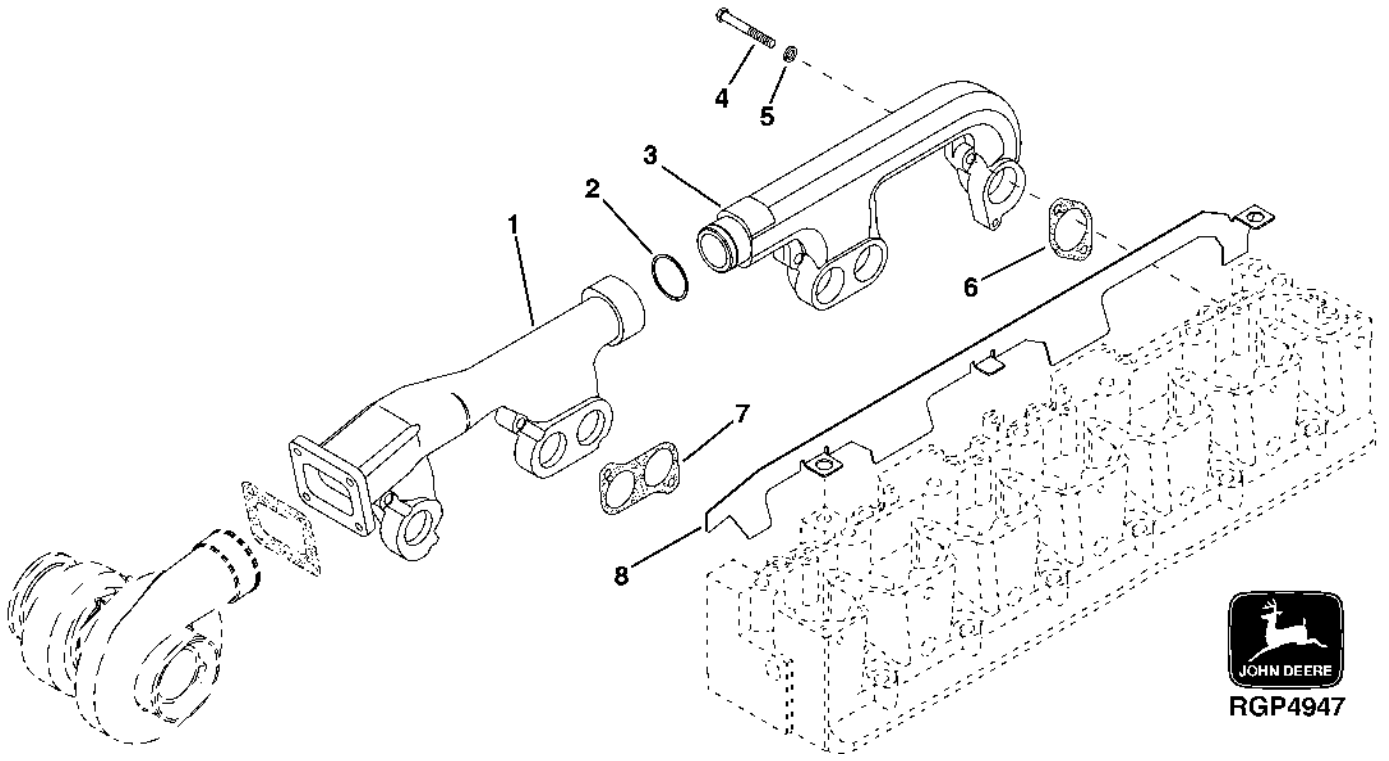
TURBOCHARGER AND OIL LINES - CONTINUED

KEY	PART NO.	PART NAME	QTY	ENGINE SERIAL NO.	9 5 9 5 5 0 5 S 0 H		REMARKS
1	T11180	ELBOW FITTING	1		X	X	
2	RE66351	TURBOCHARGER	1		X	X	(REMANUFACTURED) (SCHWITZER) (MARKED RE64767)
3	R92097	GASKET	1		X	X	
4	E55662	FLANGE NUT	4		X	X	
5	RE68767	HEAT SHIELD	1		X	X	
6	19H1756	CAP SCREW	1		X	X	5/8" X 1-1/2"
7	19H1916	CAP SCREW	1		X	X	5/8" X 1"
8	24H1658	WASHER	1		X	X	21/32" X 1" X 0.060"
9	RE68844	OIL LINE	1		X	X	
10	RE57561	CONNECTOR	1		X	X	
11	R105346	GASKET	1		X	X	
12	RE64134	OIL LINE	1		X	X	
13	R120187	ELBOW FITTING	1		X	X	
14	R122618	SCREW	2		X	X	
15	19H1936	CAP SCREW	1		X	X	3/8" X 3/4"
16	T28862	CLAMP	1		X	X	
17	24H1305	WASHER	4		X	X	13/32" X 13/16" X 0.065"
18	R100747	SELF-LOCKING SCREW	4		X	X	

1D24

ENGINE

EXHAUST MANIFOLD
RGP4947 -UN-26AUG97



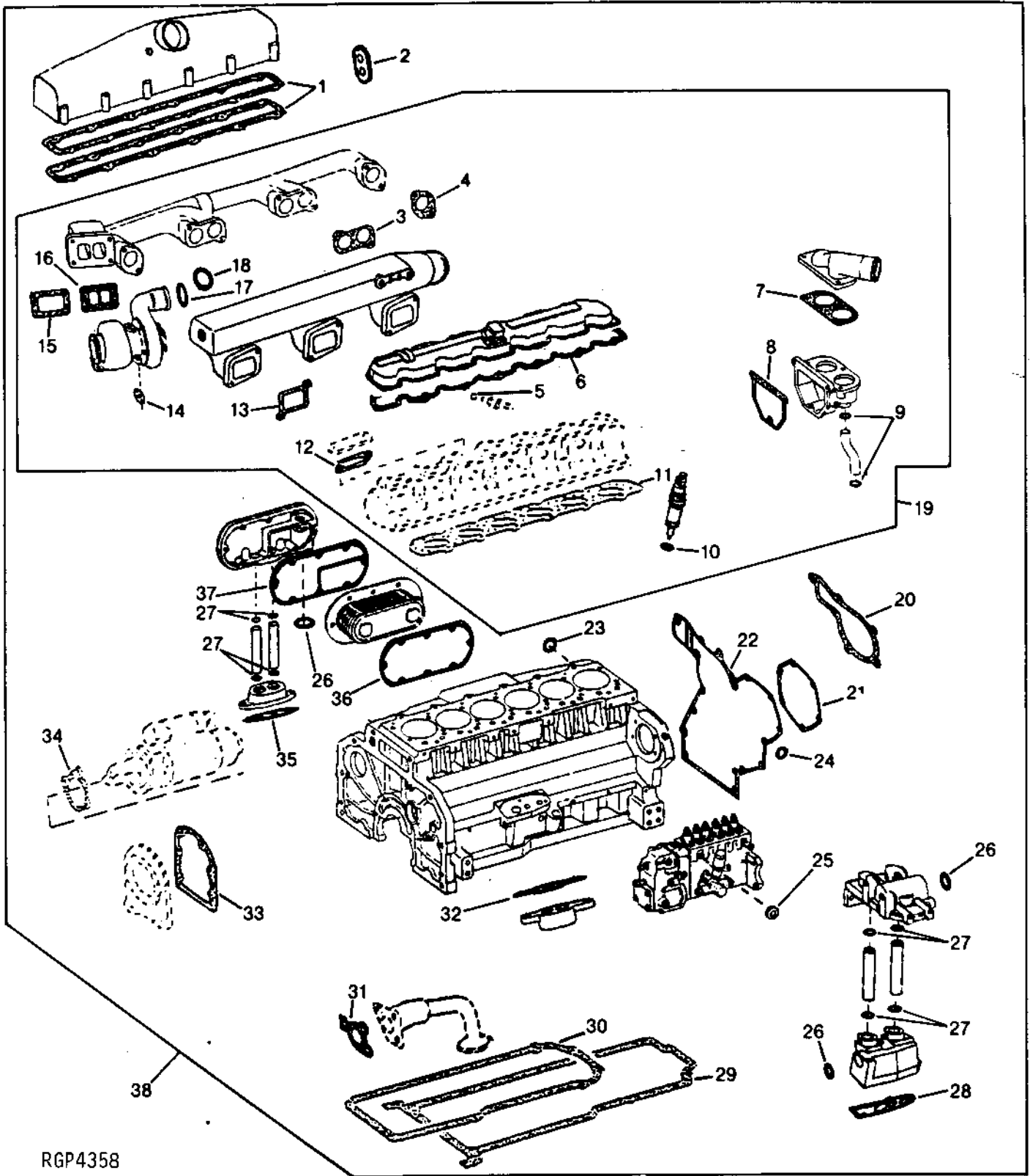
KEY	PART NO.	PART NAME	QTY	ENGINE SERIAL NO.		REMARKS
				9 5 0 5 S 0 H		
1	R91519	MANIFOLD	1	X	X	
2	R122595	RING	1	X	X	
3	R69936	EXHAUST MANIFOLD	1	X	X	
4	19H2458	CAP SCREW	8	X	X	3/8" X 3"
5	R63845	WASHER	8	X	X	
6	R83021	GASKET	2	X	X	
7	R83020	GASKET	2	X	X	
8	RE68767	HEAT SHIELD	1	X	X	

MEMORANDA

1E1

ENGINE

ENGINE GASKET SET
RGP4358 -UN-17SEP99



RGP4358

1E2

ENGINE

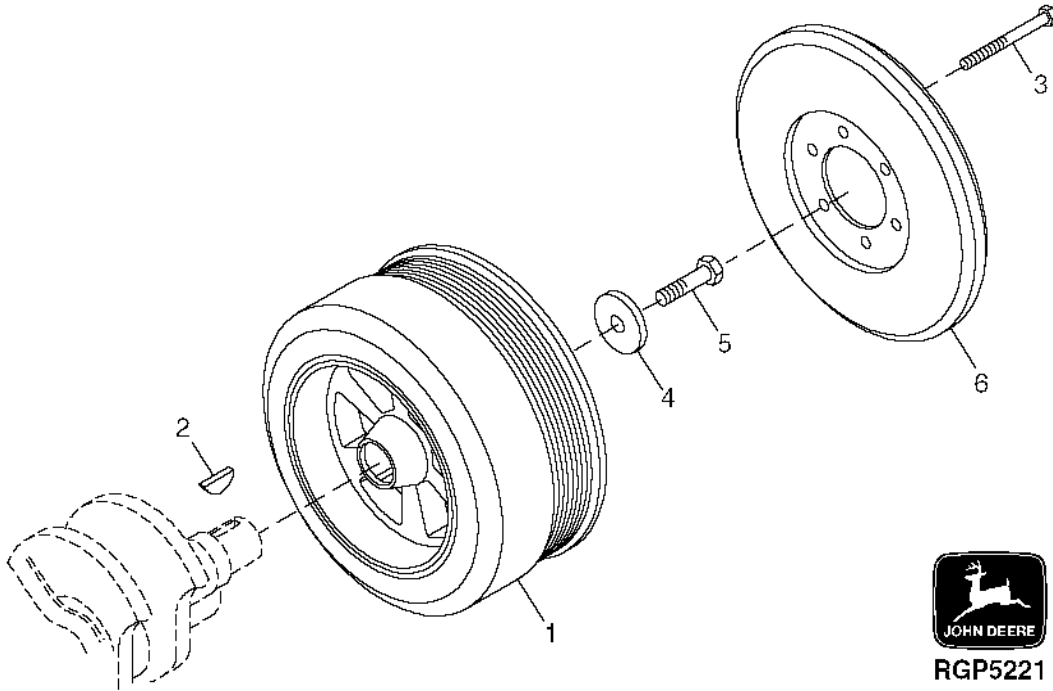
ENGINE GASKET SET - CONTINUED

KEY	PART NO.	PART NAME	QTY	ENGINE SERIAL NO.	9550		REMARKS
					0 H	5 S	
1	R88993	GASKET	NA		X	X	
2	R100911	SEAL	NA		X	X	
3	RE62776	GASKET	2		X	X	
4	RE62777	GASKET	2		X	X	
5	R77551	O-RING	6		X	X	
6	R49866	GASKET	1		X	X	
7	R124607	GASKET	1		X	X	
8	R124211	GASKET	1		X	X	
9	R72328	O-RING	1		X	X	
10	R84472	WASHER	6		X	X	
11	RE55475	ENGINE CYLINDER HEAD GASKET	1		X	X	
12	R88397	GASKET	2		X	X	
13	R120646	GASKET	3		X	X	
14	R105346	GASKET	1		X	X	
15	R92097	GASKET	NA		X	X	
16	R89879	GASKET	1		X	X	
17	R86743	O-RING	1		X	X	
18	R50405	O-RING	NA		X	X	
19	RE57186	GASKET KIT	1		X	X	CYLINDER HEAD
20	R119383	GASKET	1		X	X	
21	R50390	GASKET	1		X	X	
22	R119384	GASKET	1		X	X	
23	U13639	O-RING	1		X	X	
24	R54856	O-RING	1		X	X	
25	R53899	WASHER	1		X	X	(USE WITH R83489)
26	U17409	O-RING	3		X	X	
27	R47153	O-RING	4		X	X	
28	R119847	GASKET	1		X	X	
29	GASKET	1		X	X	
30	RE504828	KIT	1		X	X	(USE WITH ALUMINIUM OIL PAN)
31	R100569	GASKET	1		X	X	
32	R109625	GASKET	1		X	X	
33	R26058	GASKET	1		X	X	
34	R53108	GASKET	1		X	X	
35	R50424	GASKET	1		X	X	
36	AR58952	GASKET	1		X	X	
37	R117060	GASKET	1		X	X	
38	RE57187	GASKET KIT	1		X	X	ENGINE REBUILD
..	R124030	GASKET	1		X	X	

1E3

ENGINE

CRANKSHAFT PULLEY
RGP5221 -UN-16JUN99



KEY	PART NO.	PART NAME	QTY	ENGINE SERIAL NO.	REMARKS
1	RE500934	TORSIONAL DAMPENER	1		
2	R116311	KEY	1		
3	19H3771	CAP SCREW	6		3/8" X 1"
4	R26333	WASHER	1		
5	R79846	CAP SCREW	1		
6	RE57604	TORSIONAL DAMPENER	1		(FINS AWAY FROM ENGINE)

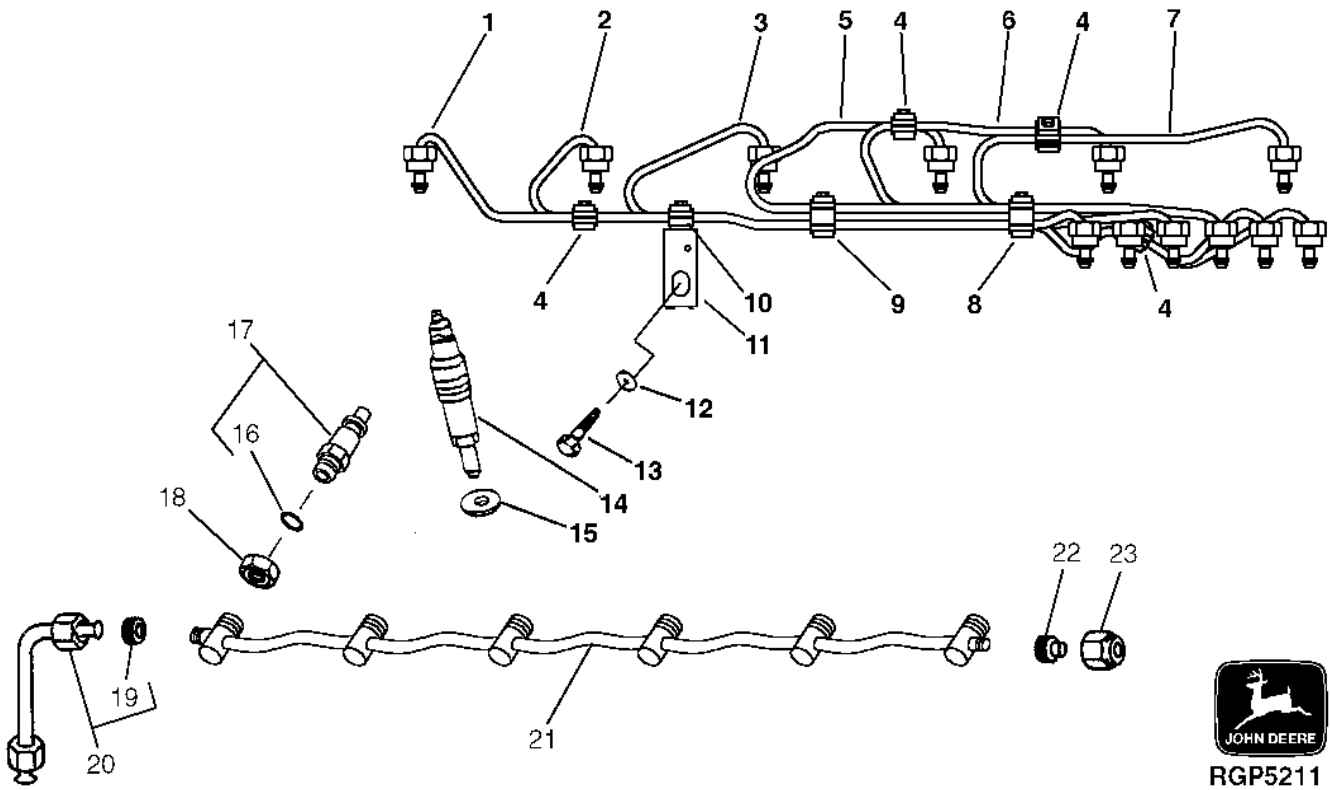
MEMORANDA

1E6

FUEL AND AIR

FUEL INJECTION NOZZLES / FUEL LINES

RGP5211 -UN-25MAY99



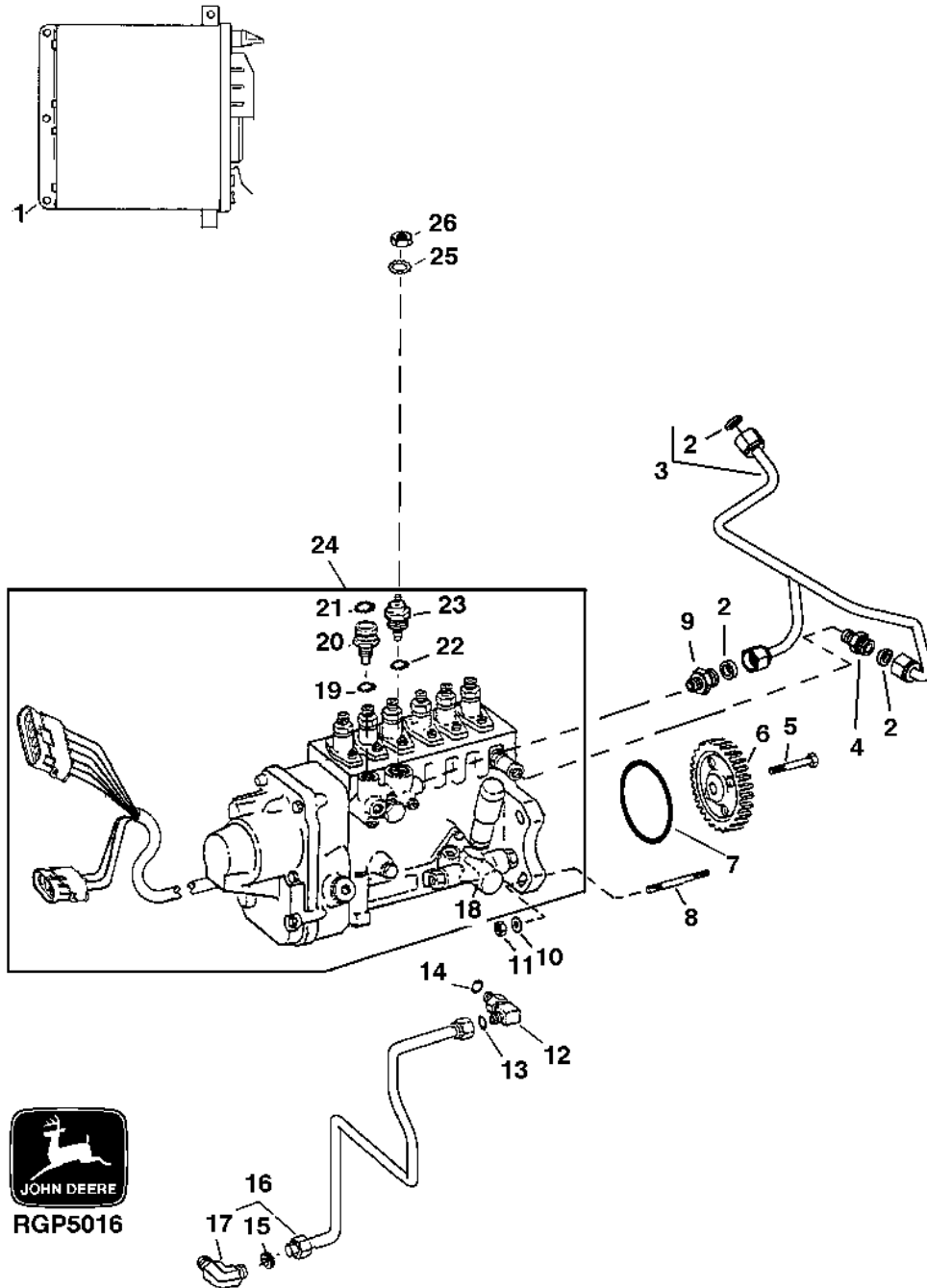
FUEL INJECTION NOZZLES / FUEL LINES - CONTINUED

KEY	PART NO.	PART NAME	QTY	ENGINE SERIAL NO.	9 5 9 5 5 0 5 S 0 H		REMARKS
1	RE47431	FUEL LINE	1		X	X	NO. 6
2	RE47430	FUEL LINE	1		X	X	NO. 5
3	RE47429	FUEL LINE	1		X	X	NO. 4
4	R120185	BOLT	AR		X	X	
	R120181	STRAP	AR		X	X	
	R58186	CLAMP	AR		X	X	
	R120182	STRAP	AR		X	X	
5	RE47428	FUEL LINE	1		X	X	NO. 3
6	RE502930	FUEL LINE	1		X	X	NO. 2
7	RE502929	FUEL LINE	1		X	X	NO. 1
8	R120186	BOLT	AR		X	X	
	R120183	STRAP	AR		X	X	
	R71212	CLAMP	AR		X	X	
	R59297	HALF CLAMP	AR		X	X	
	R120184	STRAP	AR		X	X	
9	R120186	BOLT	AR		X	X	
	R120183	STRAP	AR		X	X	
	R71212	CLAMP	AR		X	X	
	R59297	HALF CLAMP	AR		X	X	
	R120184	STRAP	AR		X	X	
10	R120185	BOLT	AR		X	X	
	R120183	STRAP	AR		X	X	
	R59297	HALF CLAMP	AR		X	X	
11	RE55662	ABSORBER	1		X	X	
12	24H1884	WASHER	1		X	X	13/32" X 13/16" X 0.120"
13	19M7166	CAP SCREW	1		X	X	M10 X 20
14	RE64184	INJECTION NOZZLE	6		X	X	ROBERT BOSCH (2 PINK DOTS)
	SE500184	INJECTION NOZZLE	6		X	X	(REMANUFACTURED)
15	R84472	WASHER	6		X	X	
16	T44604	O-RING	6		X	X	
17	RE501970	CONNECTOR	6		X	X	
18	R79604	TUBE NUT	6		X	X	
19	R51936	PACKING	1		X	X	
20	RE503256	FUEL LINE	1		X	X	
21	RE500803	FUEL LINE	1		X	X	
22	AR85519	PLUG	1		X	X	
23	R51937	TUBE NUT	1		X	X	

1E8

FUEL INJECTION PUMP, LUBE LINE AND ENGINE CONTROLLER

RGP5016 -UN-15APR98



FUEL INJECTION PUMP, LUBE LINE AND ENGINE CONTROLLER - CONTINUED

KEY	PART NO.	PART NAME	QTY	ENGINE SERIAL NO.	9	REMARKS
					5	
1	RE503232	ENGINE CONTROLLER	1		X	(MARKED RE502404)
	RE503233	ENGINE CONTROLLER	1		X	(MARKED RE502404)
2	R51936	PACKING	3		X X	
3	RE504635	FUEL LINE	1		X X	
4	RE502650	FITTING	1		X X	
5	R121195	CAP SCREW	1		X X	
6	R121164	GEAR	1		X X	
7	R76358	O-RING	1		X X	
8	R114130	STUD	4		X X	
9	RE67934	CONNECTOR	1		X X	
10	M72490	WASHER	4		X X	
11	14H1090	NUT	4		X X	3/8"
12	AR88903	ELBOW FITTING	1		X X	
13	R67264	PACKING	2		X X	
14	R79060	O-RING	1		X X	
15	R67264	PACKING	1		X X	
16	RE60577	OIL LINE	1		X X	
17	T18012	ELBOW FITTING	1		X X	
18	FUEL PUMP	1		X X	
19	R53899	WASHER	1		X X	
20	RE28217	FUEL TEMPERATURE SENSOR	1		X X	(TEMPERATURE)
21	R98500	O-RING	1		X X	
22	R99047	O-RING	1		X X	
23	R89014	SOLENOID	1		X X	(SHUT-OFF HOUSING)
24	RE62645	FUEL INJECTION PUMP	1		X	(A) (ROBERT BOSCH) (PES6P120A720RS3354)
	RE61658	FUEL INJECTION PUMP	1		X	(A) (ROBERT BOSCH) (PES6P120A702RS7315)
25	12H296	WASHER	1		X X	5.486 MM (0.216")
26	14M7297	NUT	1		X X	M5

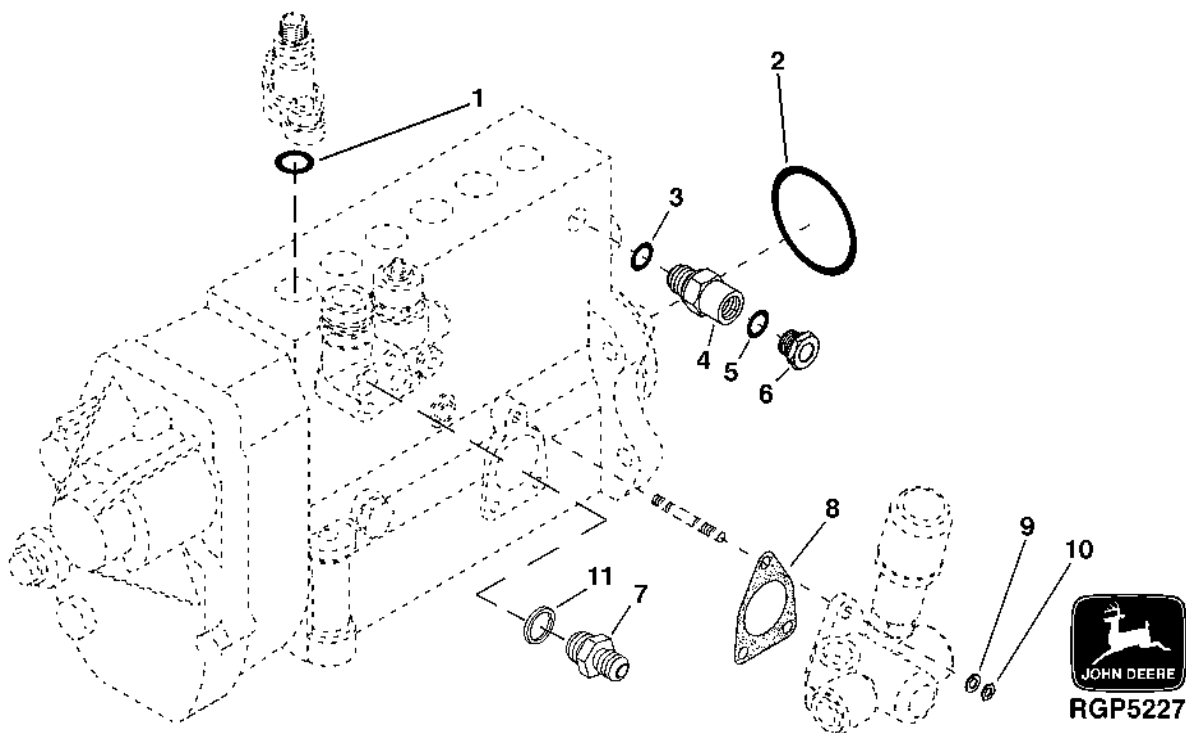
(A) "SEE YOUR AUTHORIZED PUMP REPAIR STATION FOR PARTS NOT LISTED"

1E10

FUEL AND AIR

FUEL INJECTION PUMP HOUSING CONNECTORS

RGP5227 -UN-17JUN99



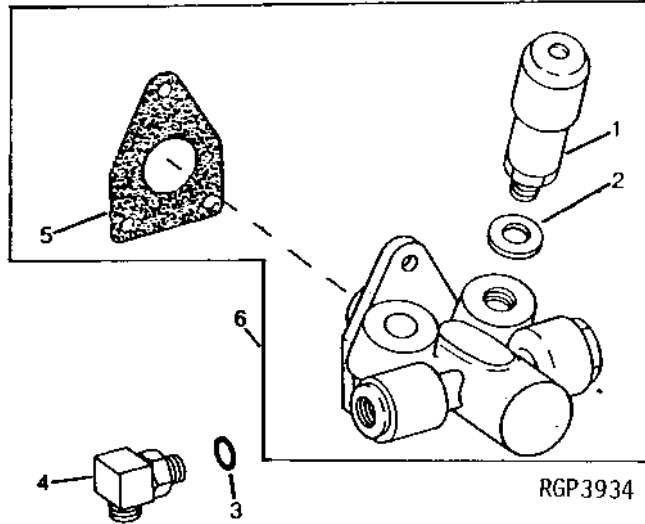
KEY	PART NO.	PART NAME	QTY	ENGINE SERIAL NO.	REMARKS
				9	
				5	
				9 5	
				5 0	
				5 S	
				0 H	
1	T24210	O-RING	6	X X	
2	R76358	O-RING	1	X X	
3	R53899	WASHER	1	X X	
4	RE36151	CONTROL VALVE	1	X X	
5	R53901	WASHER	1	X X	
6	R63016	ADAPTER	1	X X	
7	R83489	FITTING	1	X X	
8	R67879	GASKET	1	X X	
9	12H296	WASHER	3	X X	0.216"
10	14M7297	NUT	3	X X	M5
11	R93008	WASHER	1	X X	

1E11

FUEL AND AIR

FUEL TRANSFER PUMP (ROBERT BOSCH)

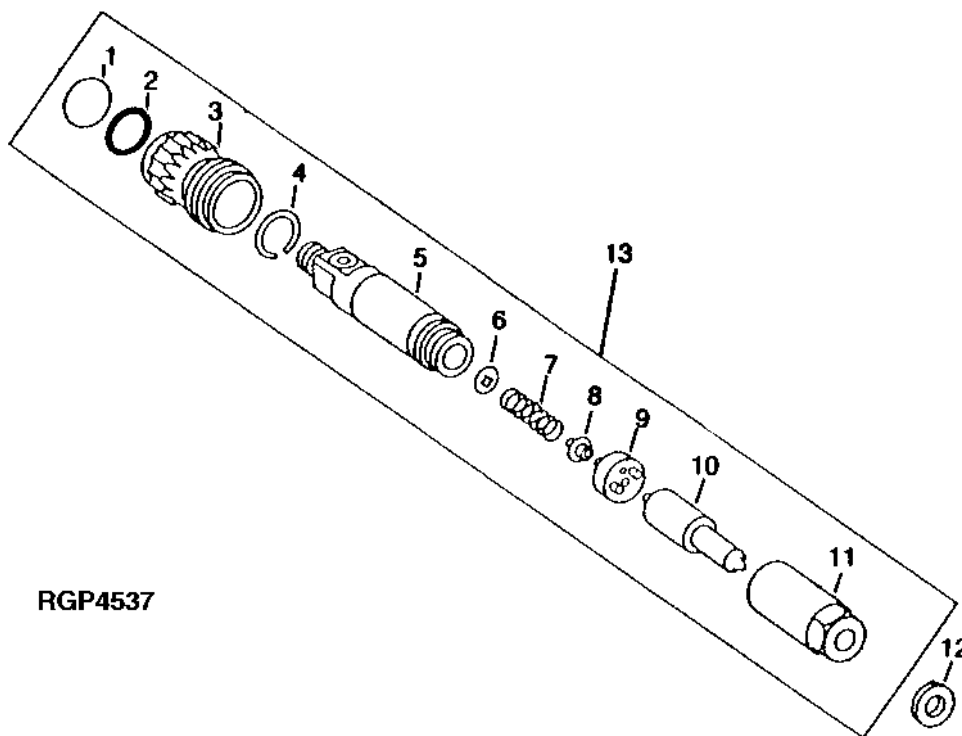
RGP3934 -UN-01JAN94



KEY	PART NO.	PART NAME	QTY	ENGINE SERIAL NO.	REMARKS
				9 5 0 5 S 0 H	
1	RE65265	HAND PRIMER	1	X X	
2	R54025	WASHER	1	X X	
3	R26448	O-RING	2	X X	
4	RE10258	ELBOW FITTING	2	X X	
5	R67879	GASKET	1	X X	
6	RE46252	FUEL PUMP	1	X X	

FUEL INJECTION NOZZLE (ROBERT BOSCH)

RGP4537 -UN-30AUG95



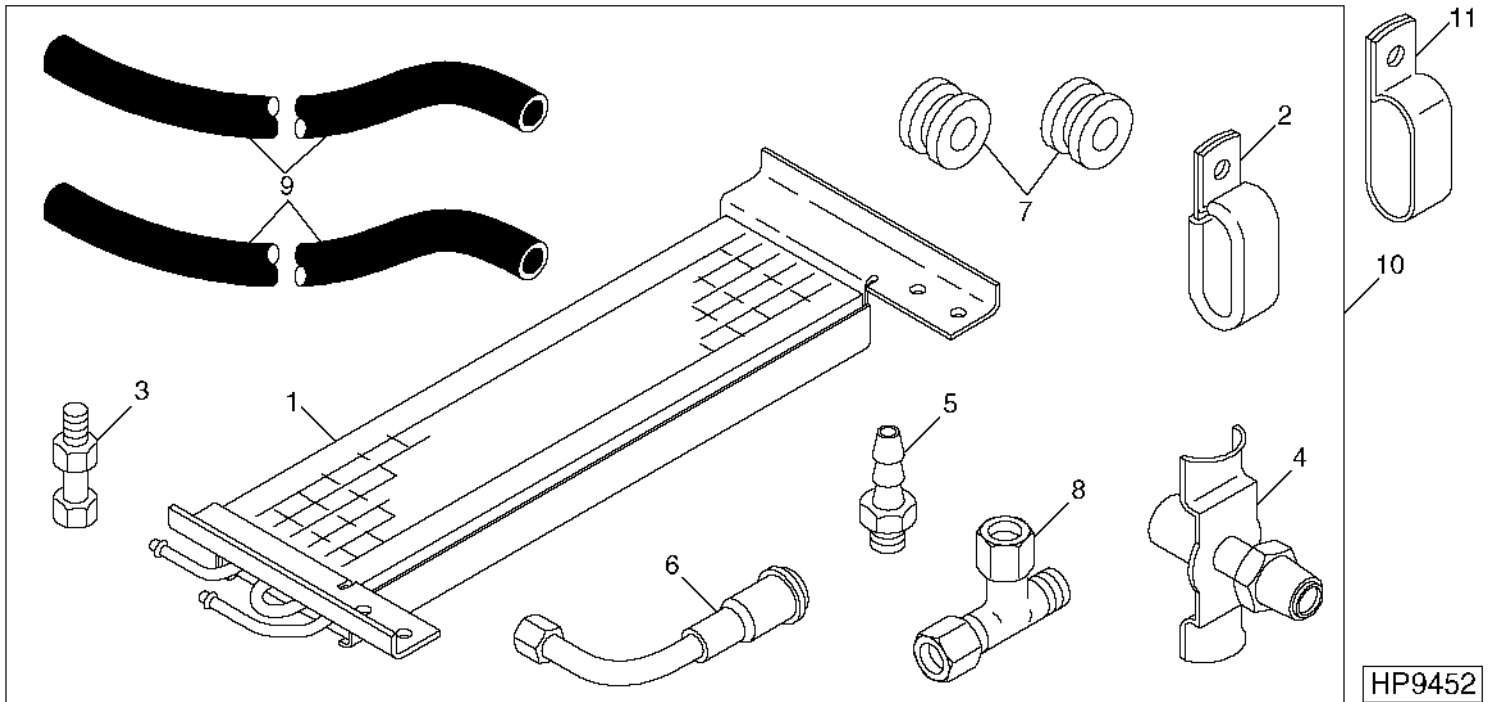
RGP4537

KEY	PART NO.	PART NAME	QTY	ENGINE SERIAL NO.	REMARKS
				9	
				5	
				9 5	
				5 0	
				5 S	
				0 H	
1	R60277	SNAP RING	1	X X	
2	R51603	O-RING	1	X X	
3	R60279	NUT	1	X X	
4	R60278	SNAP RING	1	X X	
5	NOZZLE HOLDER	1	X X	(SUB RE64184)
6	R83720	WASHER	1	X X	1.02 MM (.0402")
	R83721	WASHER	1	X X	1.08 MM (.0425")
	R83722	WASHER	1	X X	1.12 MM (.0441")
	R83723	WASHER	1	X X	1.18 MM (.0465")
	R83724	WASHER	1	X X	1.22 MM (.0480")
	R83725	WASHER	1	X X	1.28 MM (.0504")
	R83726	WASHER	1	X X	1.30 MM (.0512")
	R83727	WASHER	1	X X	1.38 MM (.0543")
	R83728	WASHER	1	X X	1.42 MM (.0559")
	R83729	WASHER	1	X X	1.48 MM (.0583")
	R83730	WASHER	1	X X	1.50 MM (.0591")
	R83731	WASHER	1	X X	1.58 MM (.0622")
	R83732	WASHER	1	X X	1.60 MM (.0630")
	R83733	WASHER	1	X X	1.68 MM (.0661")
	R83734	WASHER	1	X X	1.70 MM (.0669")
	R83735	WASHER	1	X X	1.78 MM (.0701")
	R83736	WASHER	1	X X	1.82 MM (.0717")
	R83737	WASHER	1	X X	1.88 MM (.0740")
	R83738	WASHER	1	X X	1.90 MM (.0748")
	R83739	WASHER	1	X X	1.98 MM (.0780")
7	R60273	SPRING	1	X X	
8	R60274	SEAT	1	X X	
9	R60275	PLATE	1	X X	
10	RE48360	NOZZLE	1	X X	(7 X 0.25)
11	R127181	NUT	1	X X	
12	R84472	WASHER	1	X X	
13	RE64184	INJECTION NOZZLE	6	X X	(ROBERT BOSCH) (2 PINK DOTS)
	SE500184	INJECTION NOZZLE	1	X X	(REMANUFACTURED)

1E13

FUEL AND AIR

FUEL COOLER
HP9452 -UN-05JAN00

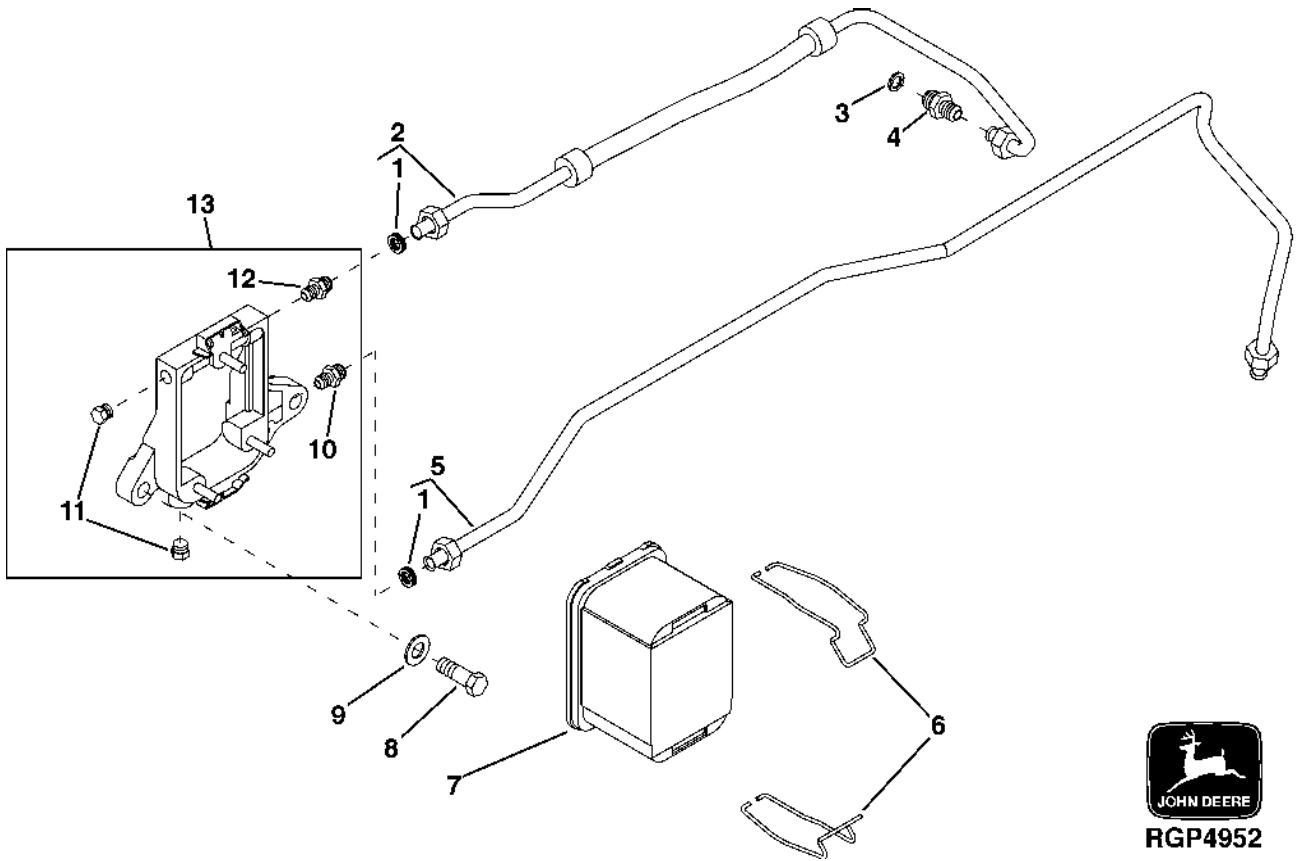


HP9452

KEY	PART NO.	PART NAME	QTY	ENGINE SERIAL NO.	REMARKS
				9	
				5	
				9	
				5	
				5	
				S	
				0	
				H	
1	AH162723	CORE	1	X X	
2	AH97280	CLIP	1	X X	
3	19M7775	SCREW	1	X X	M6 X 16
	14M7397	LOCK NUT	1	X X	M6
4	AT13740	DRAIN VALVE	1	X X	
5	A60341	FITTING	1	X X	
6	RE503256	FUEL LINE	1	X X	
7	R71351	GROMMET	2	X X	
8	T17568	TEE FITTING	1	X X	
9	H169549	HOSE	2	X X	
10	AH163373	KIT	1	X X	
11	H117952	CLAMP	1	X X	

1E14

FUEL FILTER
RGP4952 -UN-22AUG97



RGP4952

1E15

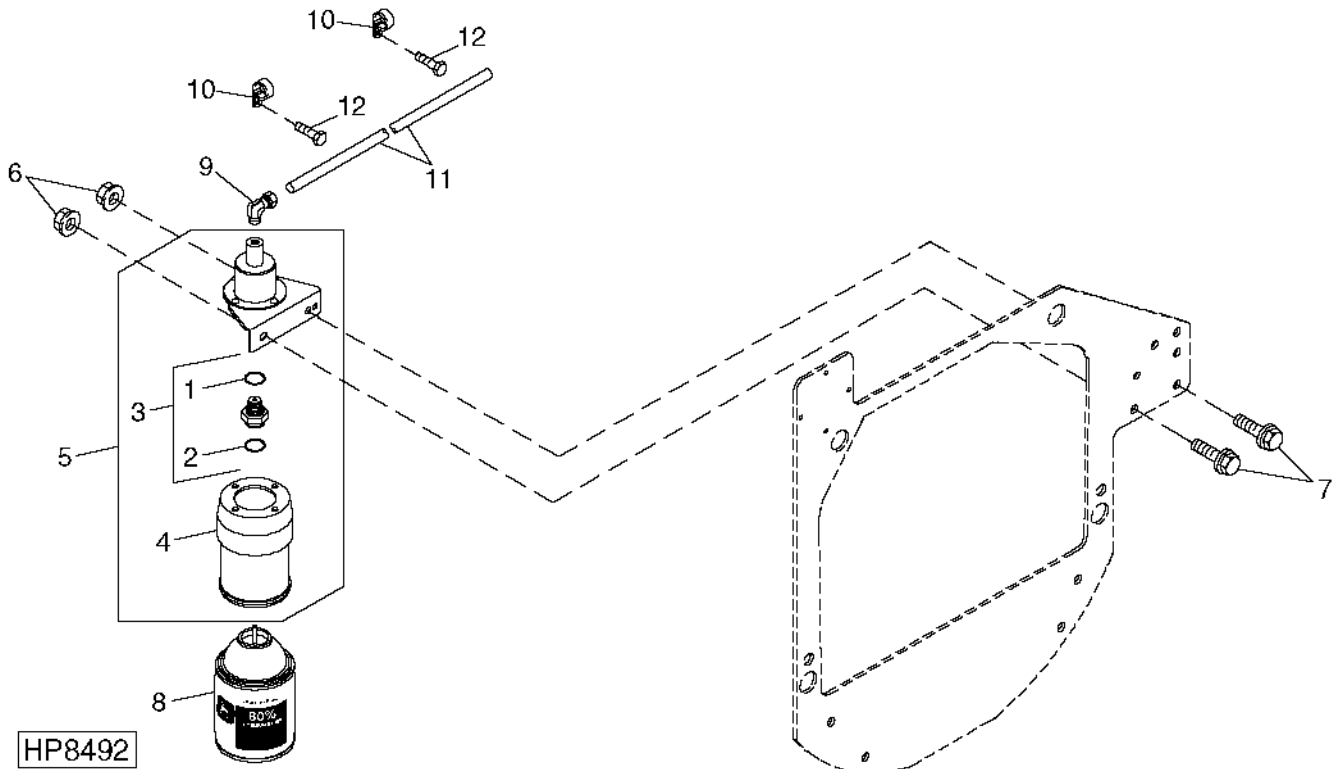
FUEL AND AIR

FUEL FILTER - CONTINUED

KEY	PART NO.	PART NAME	QTY	ENGINE SERIAL NO.	9 5 9 5 5 0 5 S 0 H		REMARKS
1	R67092	SEAL	2		X	X	
2	RE504139	FUEL LINE	1		X	X	
3	R93008	WASHER	1		X	X	
4	R83489	FITTING	1		X	X	
5	RE65787	FUEL LINE	1		X	X	
6	R89927	CLAMP	2		X	X	
7	AR86745	FILTER ELEMENT	1		X	X	
8	19H3104	CAP SCREW	2		X	X	7/16" X 1-1/4"
9	24H1325	WASHER	2		X	X	15/32" X 59/64" X 0.065"
10	RE54244	CHECK VALVE	1		X	X	
11	R119223	PLUG	2		X	X	
12	RE54245	FITTING	1		X	X	
13	RE61693	BASE	1		X	X	

1E16

COLD WEATHER STARTING AID
HP8492 -UN-01JUN99



9
5
9 5
5 0
5 S
0 H

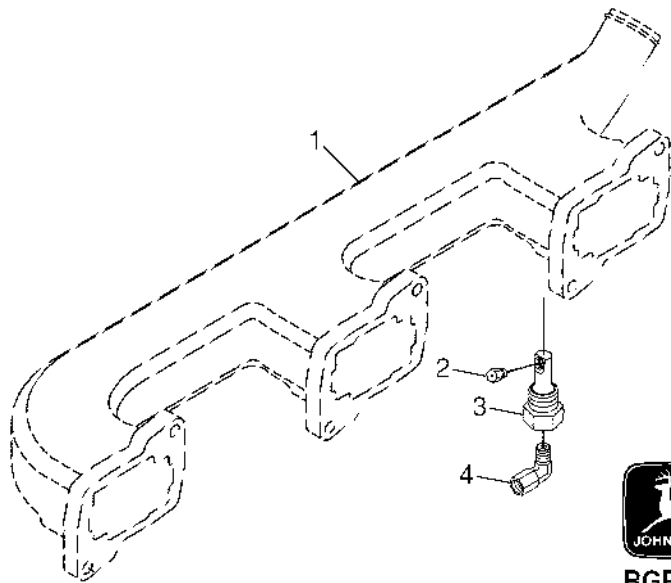
KEY	PART NO.	PART NAME	QTY	SERIAL NO.	REMARKS
1	T15712	O-RING	1	X X	
2	T13119	O-RING	1	X X	
3	RE48321	ADAPTER	1	X X	
4	R73498	CONTAINER	1	X X	
5	RE48310	STARTING AID SOLENOID	1	X X	
6	14M7298	FLANGE NUT	2	X X	
7	19M7865	SCREW	2	X X	
8	RE33636	STARTING FLUID	1	X X	
9	RE21790	ELBOW FITTING	1	X X	
10	CLAMP	AR	X X	
11	H169549	HOSE	1	X X	FUEL LINE
12	19M7774	SCREW	2	X X	

1E17

FUEL AND AIR

ETHER AID

RGP5214 -UN-11JUN99



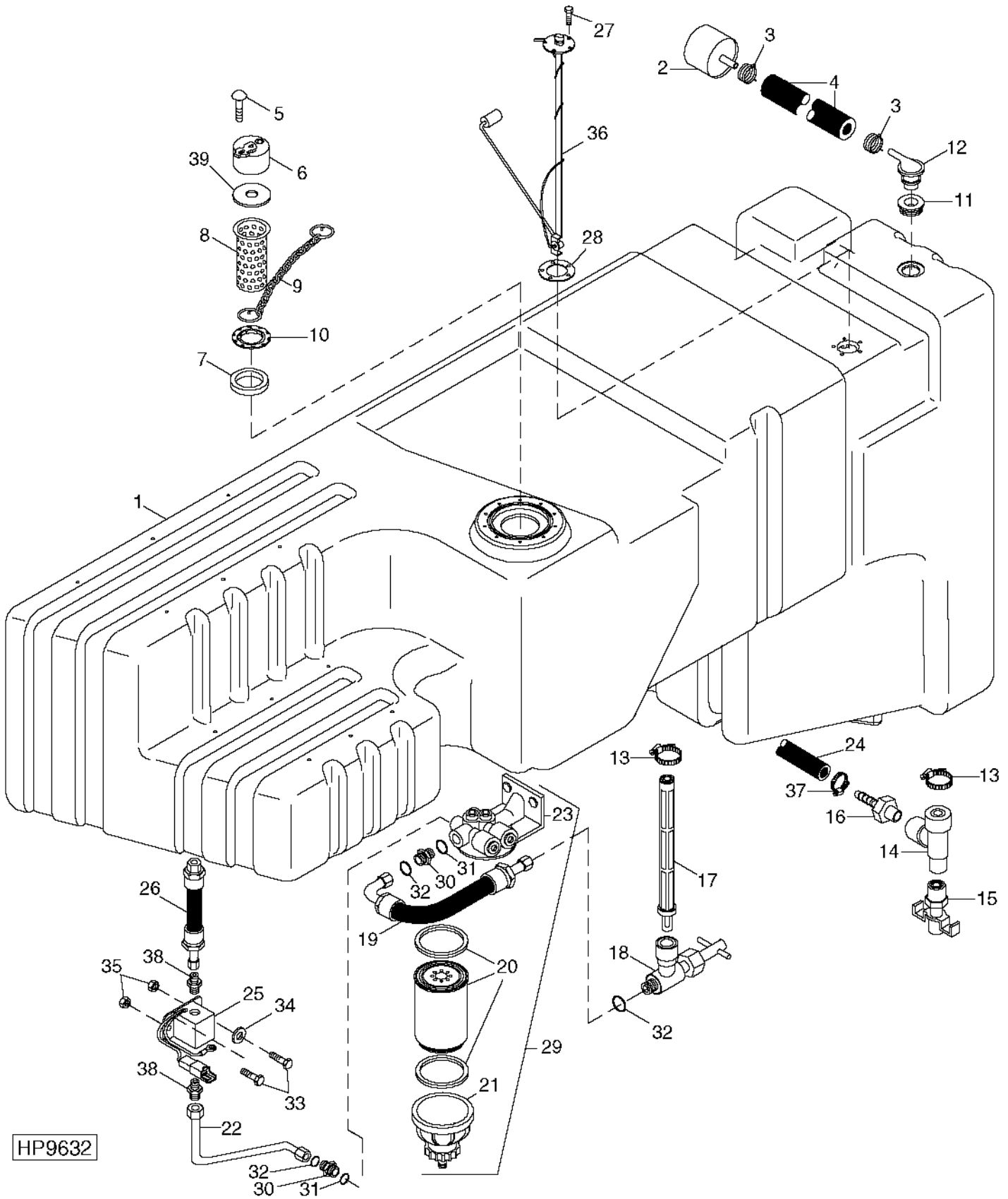
RGP5214

KEY	PART NO.	PART NAME	QTY	ENGINE SERIAL NO.	REMARKS
1	INTAKE MANIFOLD	1		
2	T155858	NOZZLE	1		
3	R47160	NOZZLE HOLDER	1		
4	RE21790	ELBOW FITTING	1		

9
5
9 5
5 0
5 S
0 H

1E18

FUEL TANK AND FITTINGS
HP9632 -UN-24MAR00



HP9632

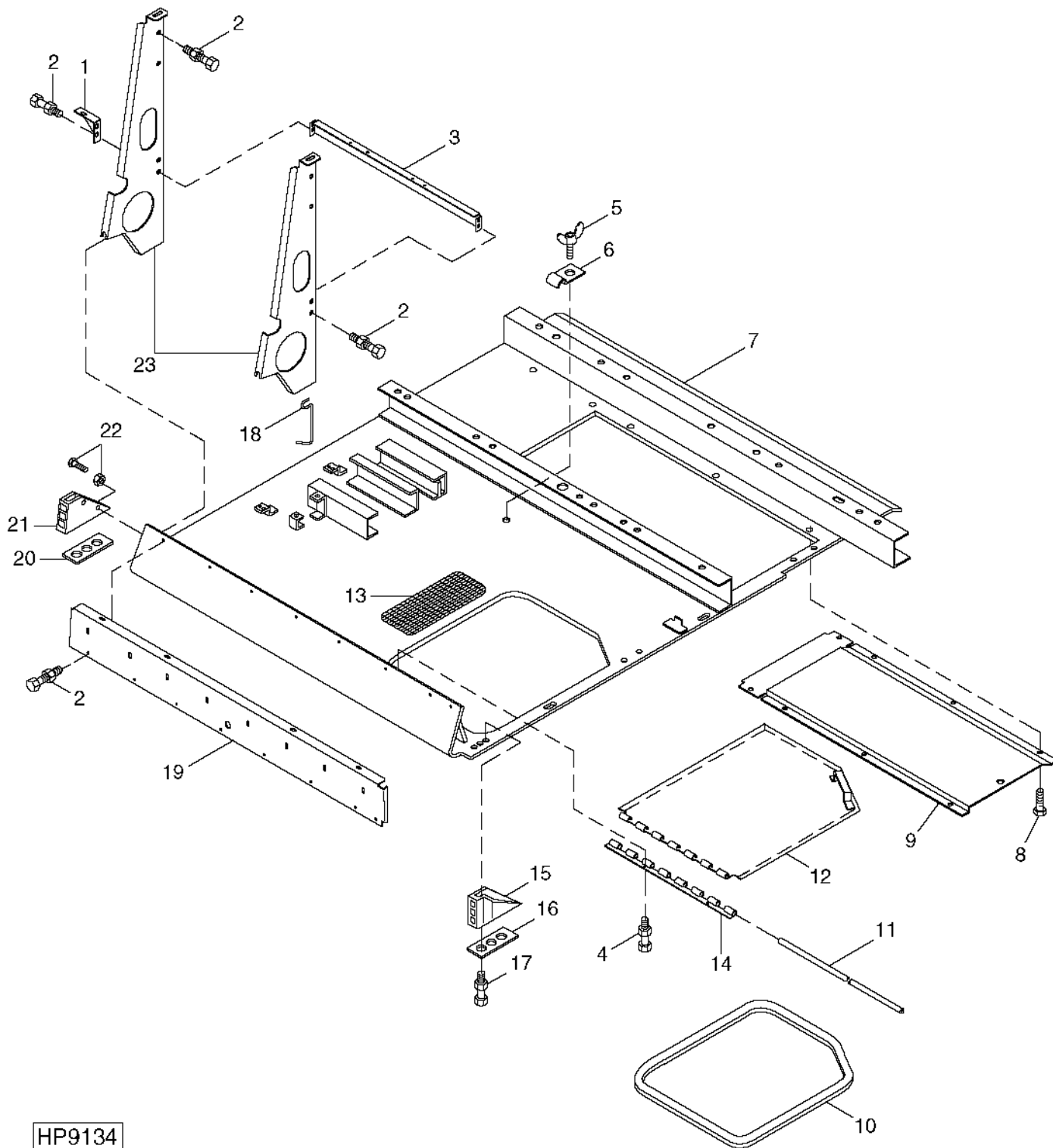
FUEL TANK AND FITTINGS - CONTINUED

KEY	PART NO.	PART NAME	QTY	SERIAL NO.	9550		REMARKS
					0	H	
1	AH158721	FUEL TANK	1		X	X	
2	RE52504	BREATHER	1		X	X	
3	R56101	CLIP	2		X	X	
4	TY22551	HOSE	1		X	X	(CUT TO 524 MM)
5	21M7278	SCREW	10		X	X	M5 X 10
6	AH163173	FILLER CAP	1		X	X	
7	H165678	O-RING	1		X	X	
8	AH159447	STRAINER	1		X	X	
9	AH159448	LINK CHAIN	1		X	X	
10	AH159573	RING	1		X	X	
11	R114023	GROMMET	1		X	X	
12	R114022	VENT	1	-685606	X		
	R114022	VENT	1	-685703	X		
	H174011	VENT	1	685607-	X		
	H174011	VENT	1	685704-	X		
13	AT18904	CLAMP	2		X	X	
14	T17568	TEE FITTING	1		X	X	6.350 MM
15	AT13740	DRAIN VALVE	1		X	X	
16	A60341	FITTING	1		X	X	
17	AH106982	SCREEN	1		X	X	
18	AH129056	VALVE	1		X	X	
19	AH162666	HOSE	1		X	X	
20	RE500186	FUEL FILTER	1		X	X	
21	RE500187	SEDIMENT BOWL	1		X	X	
22	AH162665	LINE	1		X	X	
23	BRACKET	1		X	X	
24	TY22552	HOSE	1		X	X	(CUT TO 2900 MM W/FUEL COOLER, 3200 MM W/O FUEL COOLER)
25	AH130127	PUMP	1		X	X	
26	AH146788	HYDRAULIC HOSE	1		X	X	ELECTRIC PUMP TO ENGINE
27	21M7265	SCREW	1		X	X	M5 X 12
28	H168724	GASKET	1		X	X	FUEL SENDER
29	AH162210	FILTER	1		X	X	
30	38H1160	ADAPTER	2		X	X	
31	R26448	O-RING	2		X	X	
32	T77613	O-RING	2		X	X	
33	03M7221	BOLT	2		X	X	
34	12M7081	LOCK WASHER	1		X	X	
35	14M7303	FLANGE NUT	2		X	X	
36	AH166949	FUEL SENDER	1		X	X	
37	AR48236	CLAMP	1		X	X	
38	H127578	ADAPTER	2		X	X	
39	H148166	WASHER	1		X	X	

1E20

FUEL AND AIR

ENGINE PLATFORM
HP9134 -UN-05OCT99



HP9134

1E21

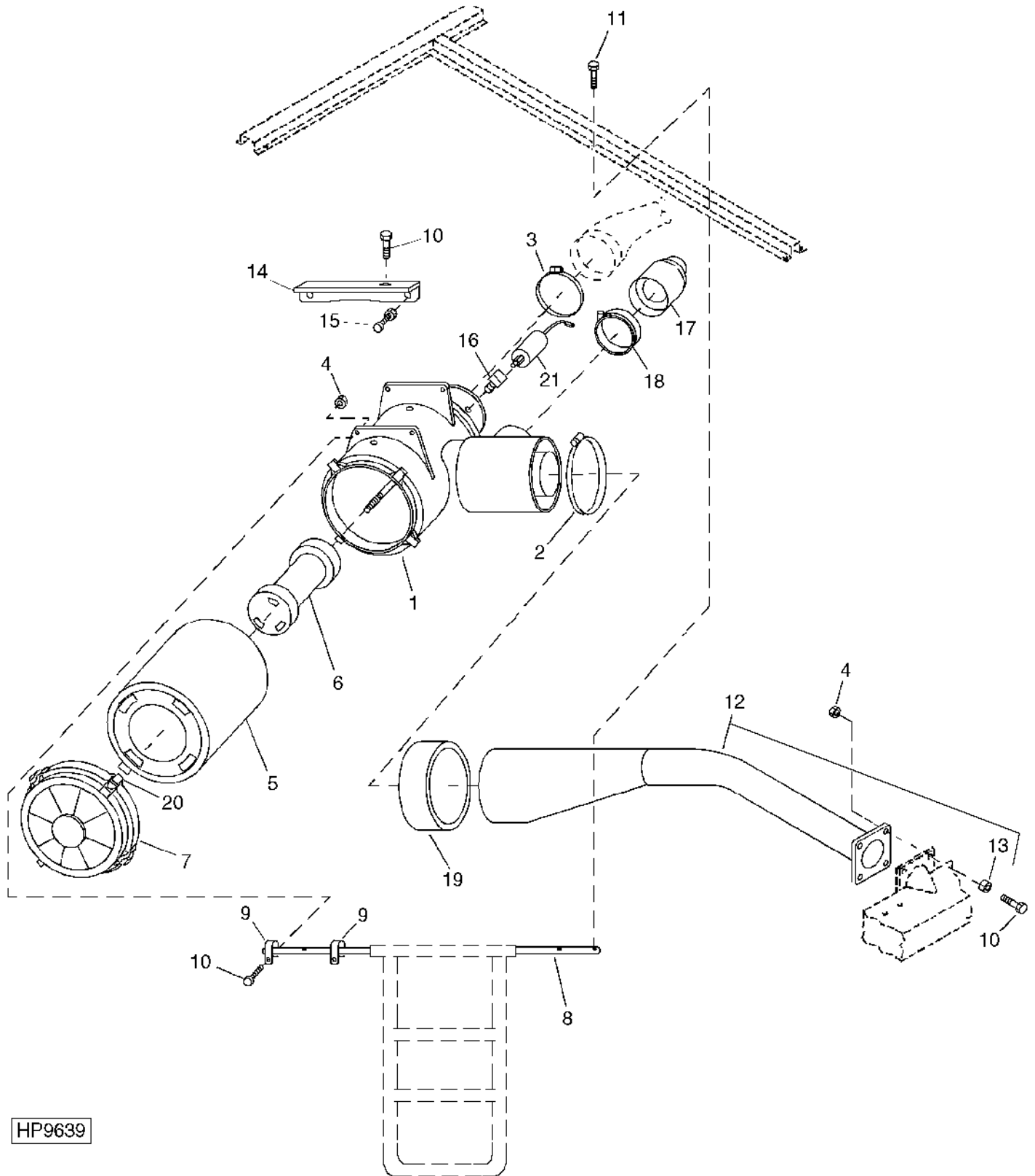
FUEL AND AIR

ENGINE PLATFORM - CONTINUED

KEY	PART NO.	PART NAME	QTY	SERIAL NO.	0 H	REMARKS
					9	
					5	
					9	
					5	
					0	
					5	
					S	
					0	
					H	
1	H134105	GUSSET	1		X X	
2	19M7865	SCREW	AR		X X	M8 X 16
	14M7298	FLANGE NUT	AR		X X	M8
3	H162011	CHANNEL	1		X X	
4	19M7867	SCREW	2		X X	
	14M7298	FLANGE NUT	2		X X	
5	21M7243	WING SCREW	1		X X	M8 X 16
6	H167171	RETAINER	1		X X	
7	AH166245	FRAME	1		X X	
8	19M7865	SCREW	8		X X	M8 X 16
9	H161354	COVER	1		X X	
10	AH122244	ISOLATOR	1		X X	
11	H117953	PIN	1		X X	
12	AH130506	DOOR	1		X X	
13	H131743	MAT	3		X X	
14	H134506	HINGE	1		X X	
15	H165585	SUPPORT	1		X X	R.H.
16	H135393	STRAP	1		X X	
17	19M7806	SCREW	6		X X	M10 X 50
	14M7296	FLANGE NUT	6		X X	M10
18	H135245	HOOK	1		X X	
19	H158067	PANEL	1		X X	(SUB H174162) LOWER REAR
	H174162	PANEL	1		X X	
20	H135392	STRAP	1		X X	
21	H165587	SUPPORT	1		X X	L.H.
22	19M7866	SCREW	4		X X	M8 X 20
	14M7298	FLANGE NUT	4		X X	M8
23	H173034	GUSSET	2		X X	(SUB FOR H158369)

1E22

AIR CLEANER AND INTAKE TUBES
HP9639 -UN-31MAR00



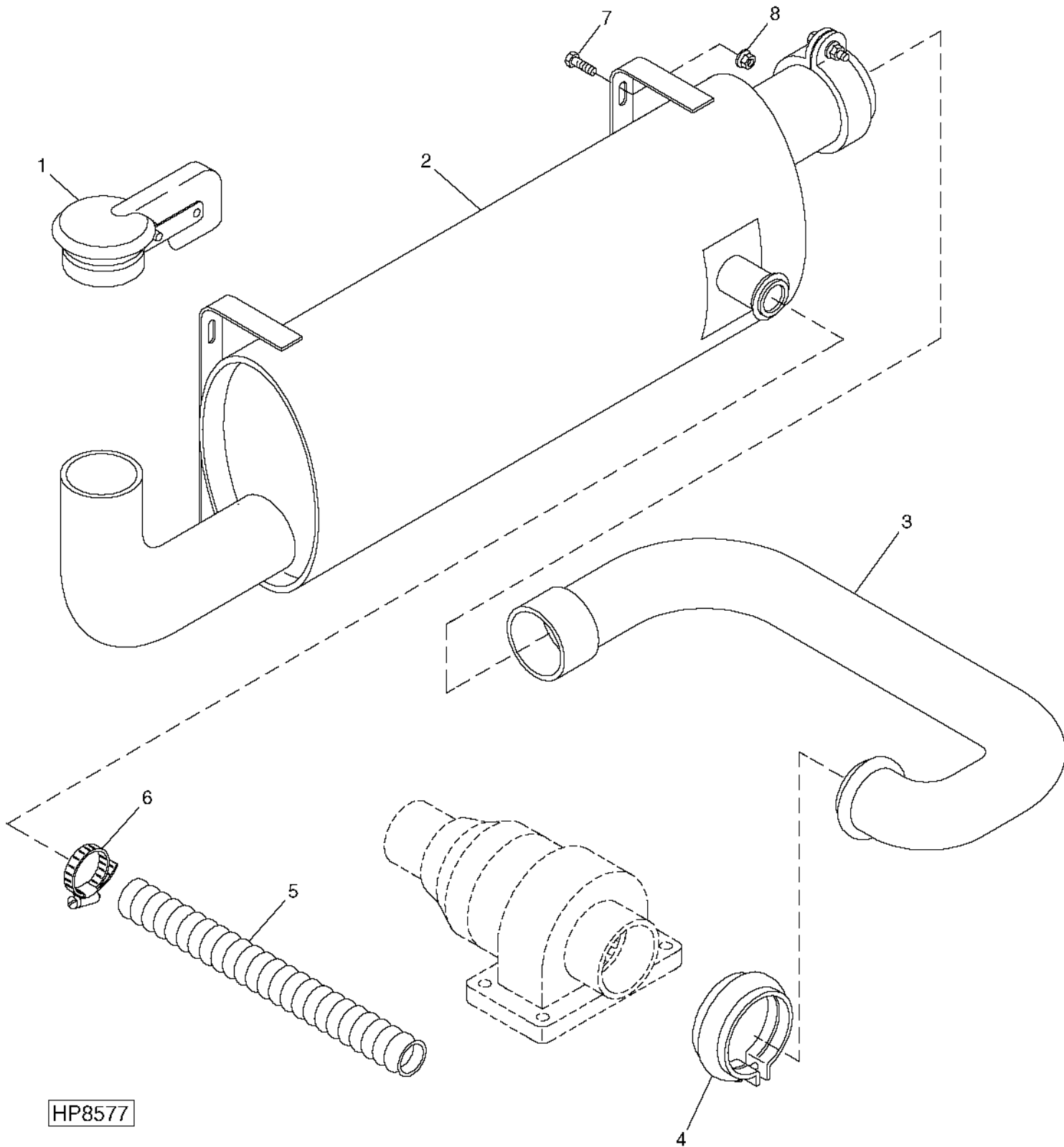
HP9639

AIR CLEANER AND INTAKE TUBES - CONTINUED

KEY	PART NO.	PART NAME	QTY	SERIAL NO.	0 H	REMARKS
					9	
					5	
					9 5	
					5 0	
					5 S	
					0 H	
1	AH148879	AIR CLEANER	1		X X	INCLUDES PARTS MARKED (A)
2	AH130230	HOSE CLAMP	1		X X	
3	AT131716	HOSE CLAMP	2		X X	
4	14M7298	FLANGE NUT	10		X X	M8
5	AH148880	FILTER ELEMENT	1		X X	(A)
6	RE63932	FILTER ELEMENT	1		X X	(A)
7	AH157555	COVER	1		X X	(A)
8	H135147	TUBE	1		X X	
9	H157866	CLAMP	2		X X	
10	19M8318	SCREW	6		X X	M8 X 45
11	19M8290	SCREW	3		X X	M6 X 35
12	AH163594	AIR DUCT	1		X X	
13	H148776	SPACER	4		X X	
14	AH158321	BRACKET	1		X X	(A)
15	19M7786	SCREW	2		X X	M10 X 30
	14M7296	FLANGE NUT	2		X X	M10
16	H164849	ELBOW FITTING	1		X X	(A)
17	AH158673	CHECK VALVE	1		X X	(A)
18	AN130930	HOSE CLAMP	1		X X	(A)
19	H164771	SLEEVE	1		X X	
20	AH157554	LATCH	1		X X	(A)
21	AH148259	SWITCH	1		X X	VACUUM SENSOR

1E24

MUFFLER AND EXHAUST PIPE
HP8577 -UN-13AUG99



HP8577

1E25

FUEL AND AIR

MUFFLER AND EXHAUST PIPE - CONTINUED

KEY	PART NO.	PART NAME	QTY	SERIAL NO.	9 5 9 5 5 0 5 S 0 H	REMARKS
1	AT74407	EXHAUST CAP	1		X X	
2	AH161463	MUFFLER	1		X X	
3	AH128977	EXHAUST PIPE	1		X X	
4	RE40048	CLAMP	1		X X	
5	H134117	HOSE	1		X X	
6	AR21839	CLAMP	2		X X	
7	19M7868	SCREW	4		X X	M8 X 30
8	14M7298	FLANGE NUT	4		X X	M8

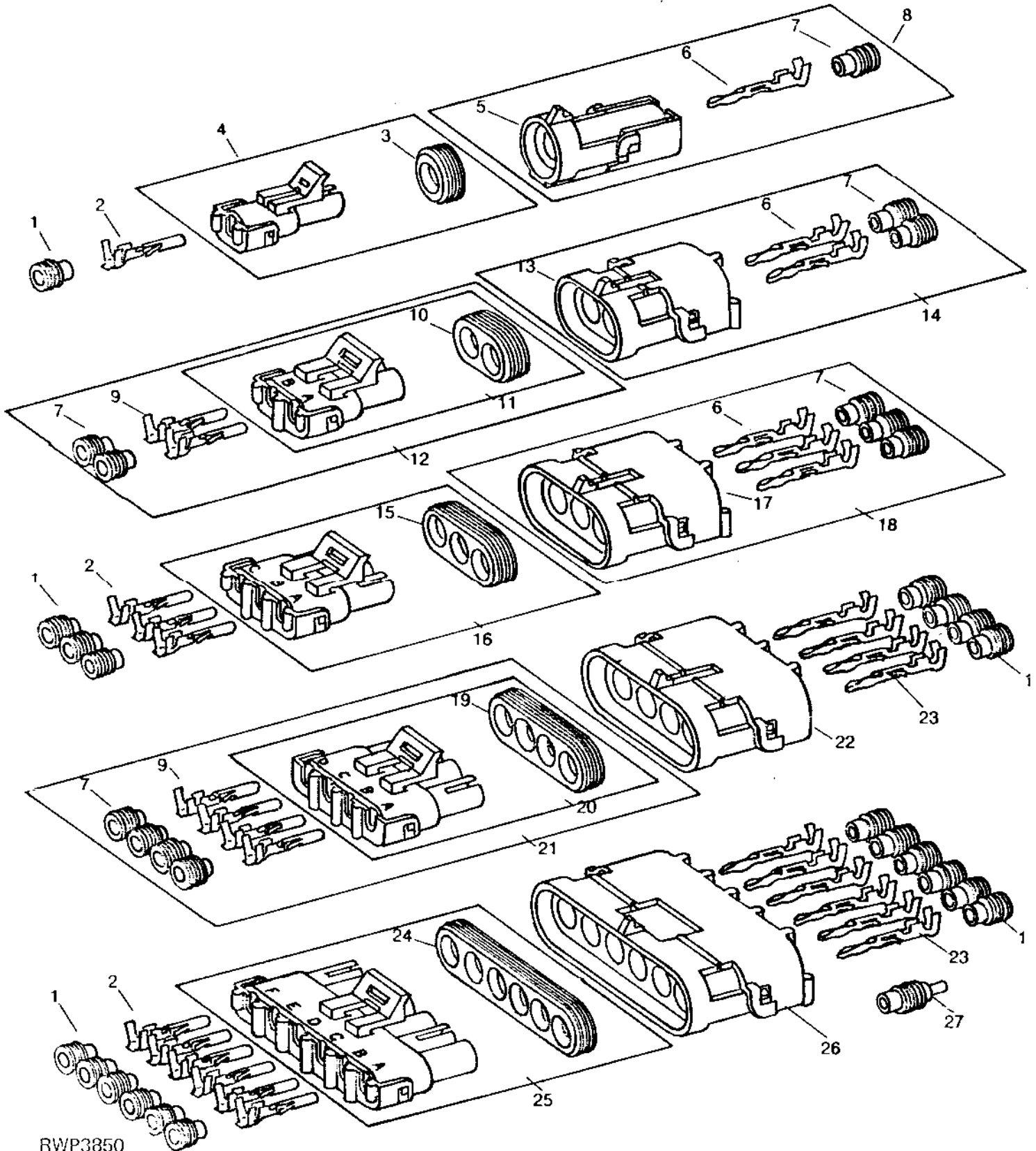
MEMORANDA

MEMORANDA

1F4

ELECTRICAL

WEATHERPACK TERMINALS AND CONNECTORS
RWP3850 -UN-01JAN94



RWP3850

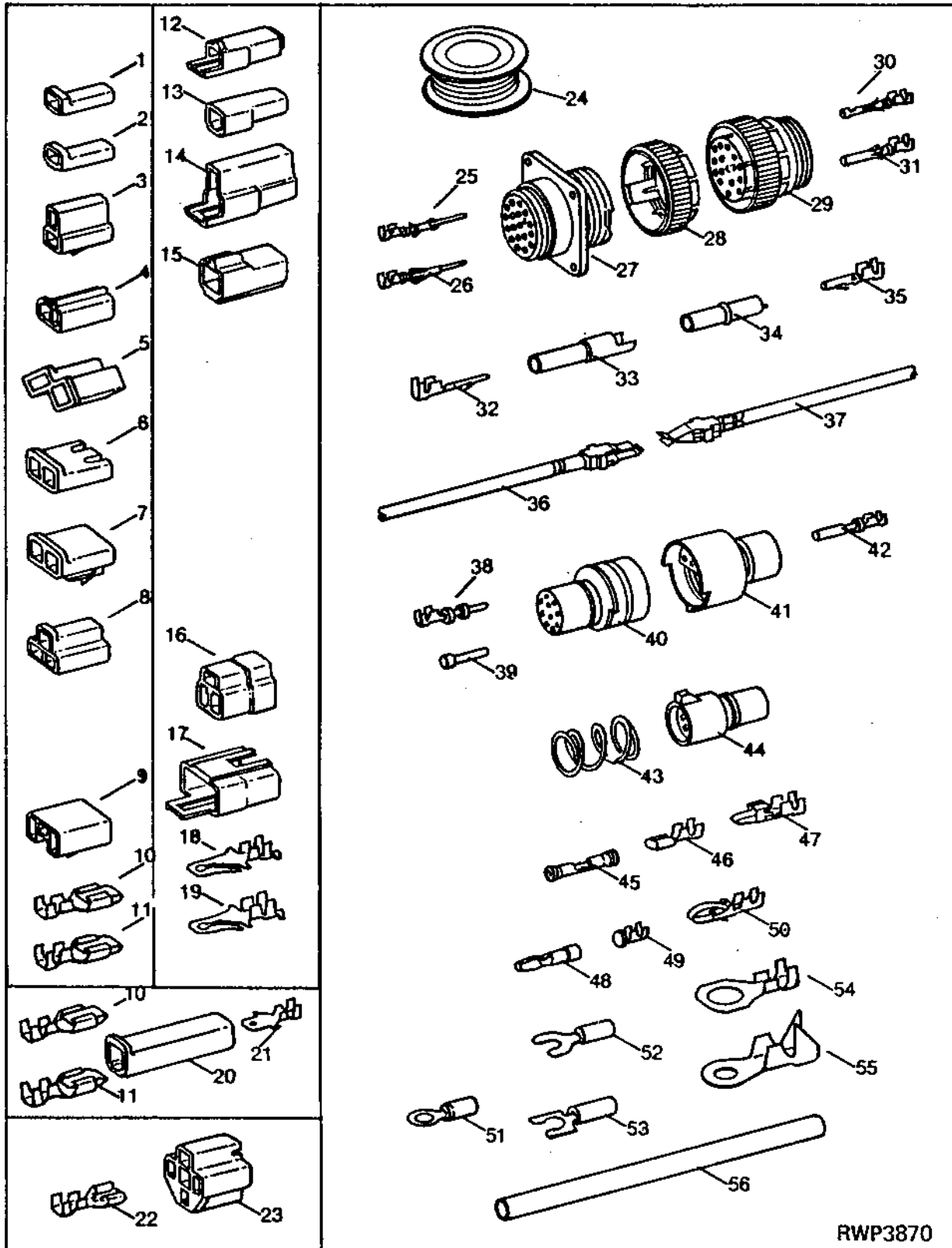
WEATHERPACK TERMINALS AND CONNECTORS - CONTINUED

KEY	PART NO.	PART NAME	QTY	SERIAL NO.	REMARKS
1	R78063	TERMINAL NIPPLE	1		(PKG. OF 40) (16 GA. WIRE) (GRAY)
	R78059	ELECTRICAL PLUG	1		(PKG. OF 40) (18 OR 20 GA. WIRE) (GREEN)
	R78062	TERMINAL NIPPLE	1		(PKG. OF 40) (14 GA. WIRE) (BLUE)
2	R78057	SOCKET CONTACT	1		(PKG. OF 40) (18 OR 20 GA. WIRE) (NO. 19)
	R78060	SOCKET CONTACT	1		(PKG. OF 40) (14 OR 16 GA. WIRE) (NO. 15)
3	R78047	SEAL	1		(PKG. OF 5)
4	RE12362	CONNECTOR	1		(PKG. OF 3)
5	R78052	PIN CONTACT CONNECTOR BODY	1		(PKG. OF 3)
6	R78061	PIN CONTACT	1		(PKG. OF 40) (14 OR 16 GA. WIRE) (NO. 15)
7	R78063	TERMINAL NIPPLE	1		(PKG. OF 40) (16 GA. WIRE) (GRAY)
8	RE12334	CONNECTOR	1		
9	R78060	SOCKET CONTACT	1		(PKG. OF 40) (14 OR 16 GA. WIRE) (NO. 15)
10	R78048	TERMINAL NIPPLE	1		(PKG. OF 5)
11	RE12363	CONNECTOR	1		(PKG. OF 3)
12	RE12331	CONNECTOR	1		
13	R78053	PIN CONTACT CONNECTOR BODY	1		(PKG. OF 3)
14	RE12330	CONNECTOR	1		
15	R78049	SEAL	1		(PKG. OF 5)
16	RE12364	SOCKET CONT.CONNECTOR BODY	1		(PKG. OF 3)
17	R78054	PIN CONTACT CONNECTOR BODY	1		(PKG. OF 3)
18	RE12332	CONNECTOR	1		
19	R78050	SEAL	1		(PKG. OF 5)
20	RE12365	CONNECTOR	1		(PKG. OF 2)
21	RE12333	CONNECTOR	1		
22	R78055	PIN CONTACT CONNECTOR BODY	1		(PKG. OF 2)
23	R78061	PIN CONTACT	1		(PKG. OF 40) (14 OR 16 GA. WIRE) (NO. 15)
	R78058	PIN CONTACT	1		(PKG. OF 40) (18 OR 20 GA. WIRE) (NO. 19)
24	R78051	SEAL	1		(PKG. OF 5)
25	RE12366	CONNECTOR	1		(PKG. OF 2)
26	R78056	PIN CONTACT CONNECTOR BODY	1		(PKG. OF 2)
27	R78064	ELECTRICAL PLUG	1		(PKG. OF 40)

1F6

ELECTRICAL

ELECTRICAL CONNECTOR SERVICE KIT
RWP3870 -UN-01JAN94



ELECTRICAL CONNECTOR SERVICE KIT - CONTINUED

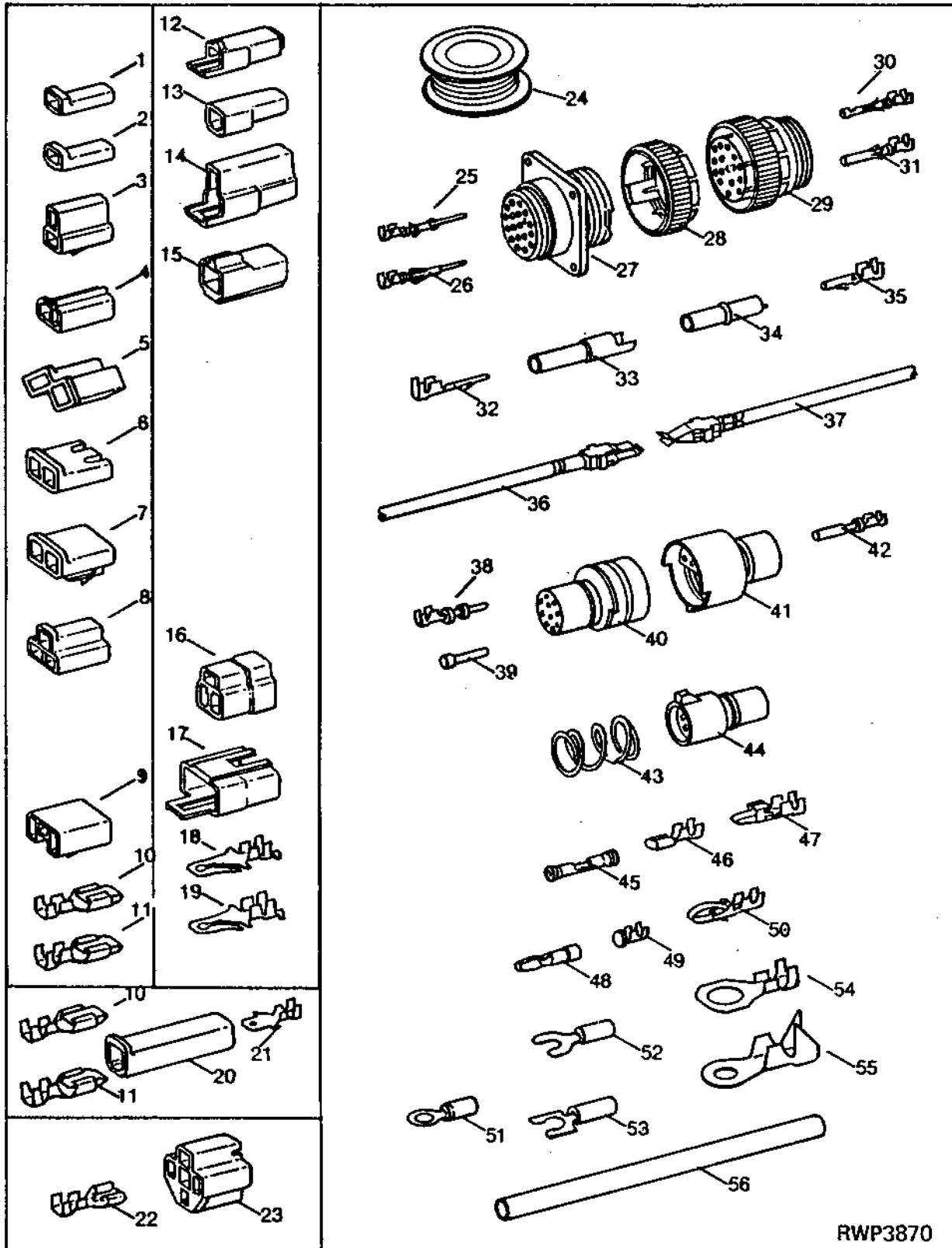
KEY	PART NO.	PART NAME	QTY	SERIAL NO.	REMARKS
1	T28583	RECEPTACLE CONNECTOR BODY	1	(B)	
2	M43835	FLAT CONNECTOR	1	(B)	
3	R77476	CONNECTOR	1	(A)	
4	R77477	RECEPTACLE CONNECTOR BODY	1	(A)	
5	R77479	CONNECTOR	1	(A)	
6	R77480	RECEPTACLE CONNECTOR BODY	1	(A)	
7	R77481	CONNECTOR	1	(A)	
8	R77482	CONNECTOR	1		
9	H104855	RECEPTACLE CONNECTOR BODY	1		
10	U46662	TERMINAL	1	(E) (F)	
11	N115096	TERMINAL	1	(G) (PKG. OF 15)	
12	T28585	TAB CONNECTOR BODY	1	(B)	
13	R77475	CONNECTOR	1	(B)	
14	T28586	CONNECTOR	1	(A)	
15	R77478	CONNECTOR	1	(A)	
16	R77483	CONNECTOR	1		
17	R48887	TAB CONNECTOR BODY	1		
18	T34067	TERMINAL	1	(E) (F)	
19	R77484	TERMINAL	1	(G) (PKG. OF 15)	
20	U46370	CONNECTOR	1	(B)	
21	R77485	TAB	1	(C) (F)	
22	R77486	TERMINAL	1	(E)	
23	R77487	CONNECTOR	1	(B)	
24	R66321	WIRING LEAD	1	15M (50 FT.) 10 GA.	
	R66320	WIRING LEAD	1	30.5M (100 FT.) 12 GA.	
	R77501	WIRE	1	30.5M (100 FT.) 14 GA.	
	R77500	WIRE	1	30.5M (100 FT.) 16 GA.	
	TY16086	WIRE	1	(SUB FOR R77499) 30.5M (100 FT.) 18 GA.	
	R77498	WIRE	1	30.5M (100 FT.) 20 GA.	
25	R77462	PIN CONTACT	1	(PKG. OF 40) 20-22 OR 24 GA. WIRE	
26	R77464	PIN CONTACT	1	(H) (PKG. OF 50)	
27	R77456	RECEPTACLE	1	(37 WAY)	
28	R77458	CONNECTOR	1	(A) SIZE 23	
	R77459	CONNECTOR	1	(A) SIZE 17	
	R77460	CONNECTOR	1	(A) SIZE 13	
	R77461	CONNECTOR	1	(A) SIZE 11	
29	R77457	ELECTRICAL PLUG	1	37 WAY	
30	R77463	SOCKET CONTACT	1	(PKG. OF 40) 20-22 OR 24 GA. WIRE	
31	R77465	SOCKET CONTACT	1	(H) (PKG. OF 50)	
32	R77468	TERMINAL	1	(PKG. OF 5) 18 GA.	
33	R77466	CONNECTOR	1	(A)	
34	R77467	CONNECTOR	1	(A)	

- (A) PKG. OF 2
- (B) PKG. OF 3
- (C) PKG. OF 10
- (D) PKG. OF 20
- (E) PKG. OF 25
- (F) 14 OR 16 GA. WIRE
- (G) 10 OR 12 GA. WIRE
- (H) 14-16 OR 18 GA. WIRE

1F8

ELECTRICAL

ELECTRICAL CONNECTOR SERVICE KIT
RWP3870 -UN-01JAN94



ELECTRICAL CONNECTOR SERVICE KIT - CONTINUED

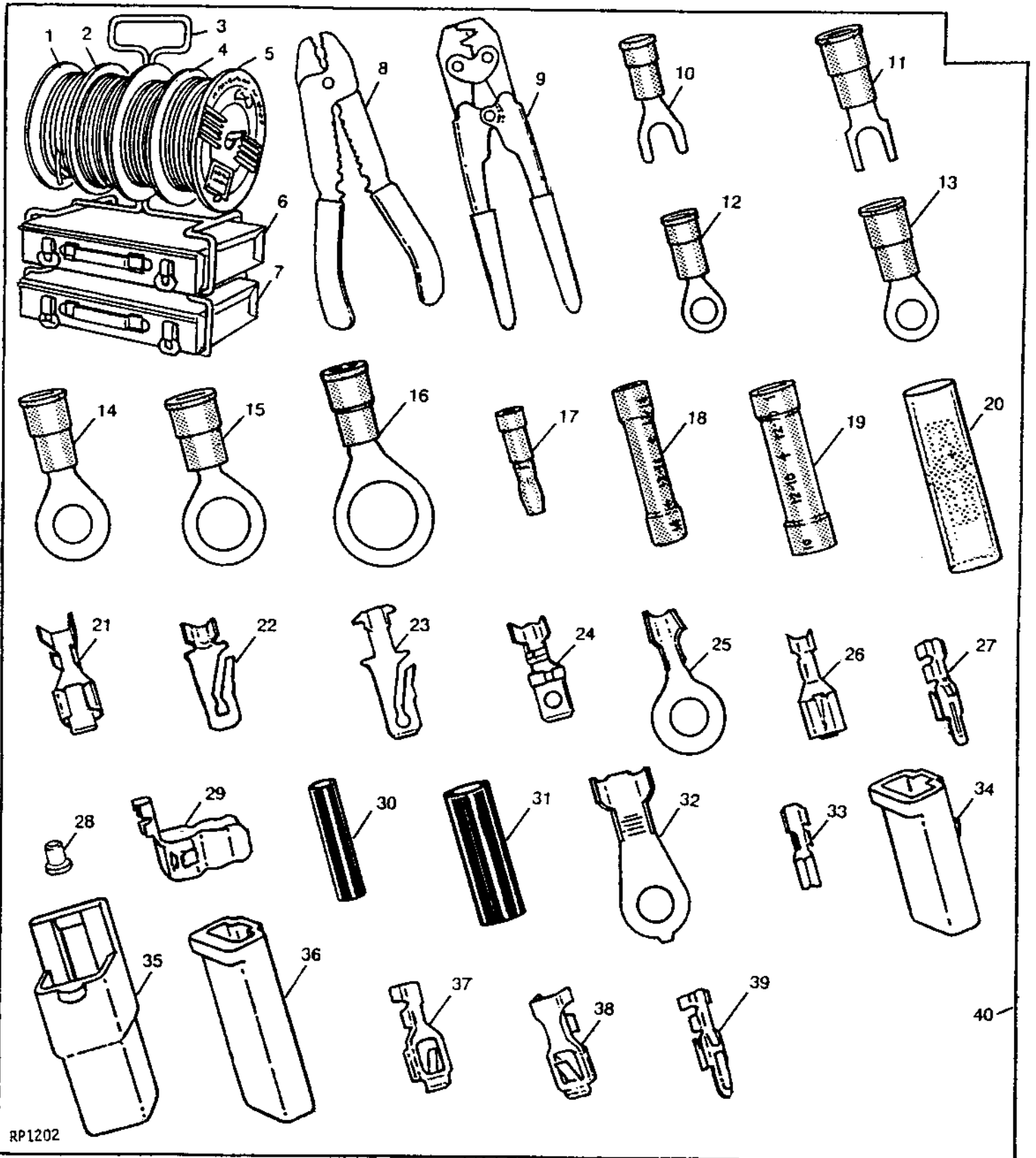
KEY	PART NO.	PART NAME	QTY	SERIAL NO.	REMARKS
35	R77469	TERMINAL	1		(PKG. OF 5) 18 GA.
36	RE11156	TERMINAL	1		(B) MALE
37	RE11157	TERMINAL	1		(B) FEMALE
38	R70222	PIN CONTACT	1		(D) (H)
39	R70221	ELECTRICAL PLUG	1		(E)
40	R70219	PLUG	1		(PKG. OF (2) R70218 AND (2) R70219) 10 WAY
	R70217	PLUG	1		(PKG. OF (2) R70216 AND (2) R70217) 7 WAY
	R70215	PLUG	1		(PKG. OF (2) R70214 AND (2) R70215) 4 WAY
	R70213	PIN CONTACT CONNECTOR BODY	1		(PKG. OF (2) R70212 AND (2) R70213) 3 WAY
	R70211	CONNECTOR	1		(PKG. OF (2) R70210 AND (2) R70211) 2 WAY
41	R70218	RECEPTACLE	1		ORDER R70219 WHICH CONTAINS (2) R70218 AND (2) R70219
	R70216	RECEPTACLE	1		ORDER R70217 WHICH CONTAINS (2) R70216 AND (2) R70217
	R70214	RECEPTACLE	1		ORDER R70215 WHICH CONTAINS (2) R70214 AND (2) R70215
	R70212	RECEPTACLE	1		ORDER R70213 WHICH CONTAINS (2) R70212 AND (2) R70213
	R70210	RECEPTACLE	1		(ORDER R70211) ORDER R70211 WHICH CONTAINS (2) R70210 AND (2) R70211
42	AR91793	SOCKET CONTACT	1		(D)
43	R30378	SPRING	1		(C)
44	R77474	CONNECTOR	1		(A) 6 WAY
45	R77470	TERMINAL	1		SPLICE (PKG. OF 15) 16-18-20 OR 22 GA. WIRE
	R77471	TERMINAL	1		(C) (G) SPLICE
	R77472	TERMINAL	1		(A) SPLICE (8 GA. WIRE)
	R77473	TERMINAL	1		(A) SPLICE (6 GA. WIRE)
46	R65607	TERMINAL	1		(C) (18 OR 20 GA. WIRE)
47	U46664	TERMINAL	1		(C) (F)
48	R32026	TERMINAL	1		(D) (F)
49	R65602	SOCKET CONTACT	1		(C) 16 OR 18 GA. WIRE
50	R70220	TERMINAL	1		(C) 18 OR 20 GA. WIRE
51	R77489	TERMINAL	1		(D) 14-16-18 OR 20 GA. WIRE; NO. 10 EYELET
	R77493	TERMINAL	1		(D) (G) NO. 10 EYELET
	R77488	TERMINAL	1		(D) 14-16-18 OR 20 GA. WIRE; 3/8" EYELET
	R77490	TERMINAL	1		(D) (G) (1/2" EYELET)
52	R77496	TERMINAL	1		(D) (F) NO. 8 SPADE
	R77495	TERMINAL	1		(D) 18 GA. WIRE; NO. 10 SPADE
53	R77497	TERMINAL	1		(D) (F) NO. 6 SPADE
54	R77491	TERMINAL	1		(D) (G) 3/8" EYELET
	R77492	TERMINAL	1		(D) (G) 1/4" EYELET
55	R77494	TERMINAL	1		(D) 6 OR 8 GA. WIRE; 1/4" EYELET
56	R77502	TUBE	1		(PKG. OF 8) 3/8", HEAT SHRINK
	R77503	TUBE	1		(PKG. OF 8) 3/16", HEAT SHRINK
57	PM797NA	KIT	1		

- (A) PKG. OF 2
- (B) PKG. OF 3
- (C) PKG. OF 10
- (D) PKG. OF 20
- (E) PKG. OF 25
- (F) 14 OR 16 GA. WIRE
- (G) 10 OR 12 GA. WIRE
- (H) 14-16 OR 18 GA. WIRE

1F10

ELECTRICAL

TERMINAL AND WIRING KIT
RP1202 -UN-12SEP95



RP1202

TERMINAL AND WIRING KIT - CONTINUED

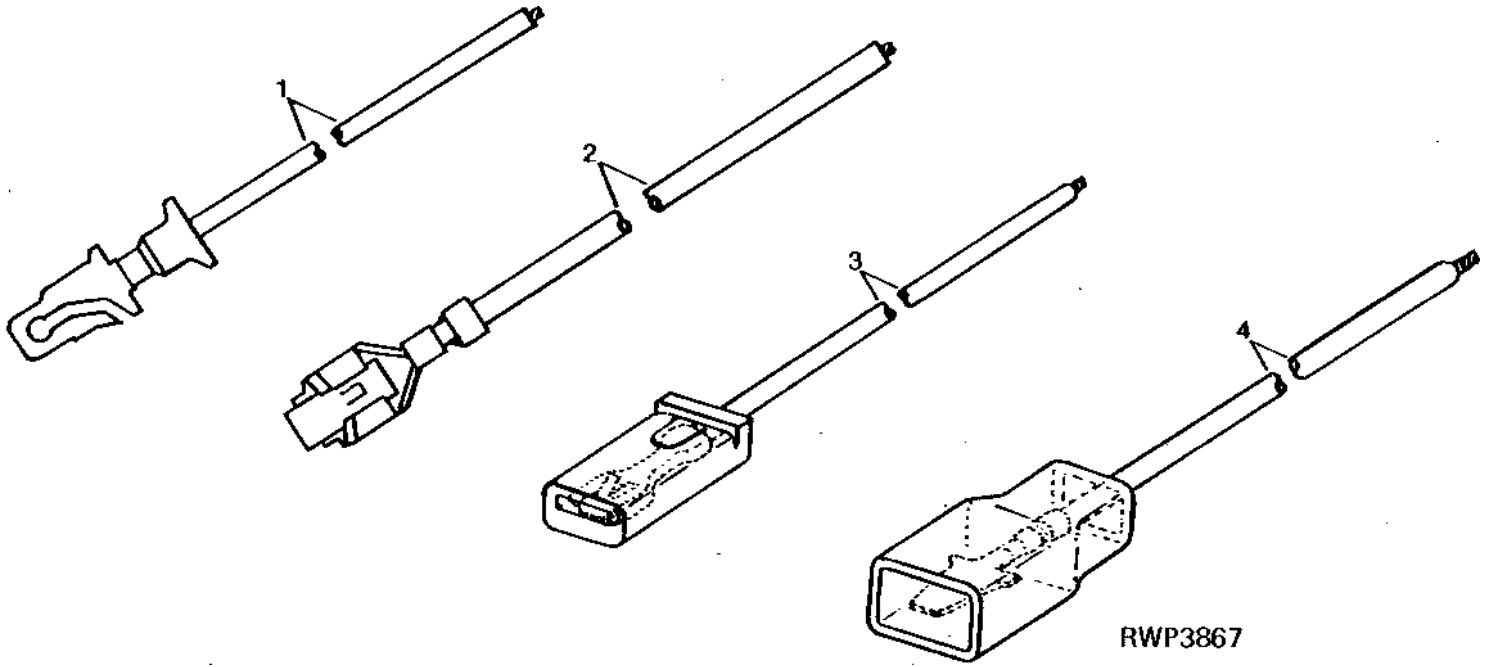
KEY	PART NO.	PART NAME	QTY	SERIAL NO.	REMARKS
1	R66319	WIRING LEAD	1		PRIMARY, 14 GA., 30,480 MM (100') (1 SPOOL)
2	R65593	WIRING LEAD	1		PRIMARY, 16 GA., 30,480 MM (100') (1 SPOOL)
3	R65608	RACK	1		
4	R66321	WIRING LEAD	1		PRIMARY, 10 GA., 15,240 MM (50') (1 SPOOL)
5	R66320	WIRING LEAD	1		PRIMARY, 12 GA., 30,480 MM (100') (1 SPOOL)
6	R65609	CONTAINER	1		32 COMPARTMENT
7	R65610	CONTAINER	1		11 COMPARTMENT
8	R32011	TOOL	1		WIRING, STRIPPING
9	R65594	TOOL	1		WIRING, CRIMPING
10	R32016	TERMINAL	1		PRIMARY, 14-16 GA., NO. 10 SPADE
11	R32017	TERMINAL	1		PRIMARY, 10-12 GA., NO. 10 SPADE
12	R32018	TERMINAL	1		PRIMARY, 14-16 GA., NO. 10 EYELET
13	R32019	TERMINAL	1		PRIMARY, 10-12 GA., NO. 10 EYELET
14	R32021	TERMINAL	1		PRIMARY, 10-12 GA., 1/4" EYELET
15	R32022	TERMINAL	1		PRIMARY, 10-12 GA., 3/8" EYELET
16	R32023	TERMINAL	1		PRIMARY, 10-12 GA., 1/2" EYELET
17	R32026	TERMINAL	1		MALE BULLET
18	R32027	CONNECTOR	1		SPLICE, 14-16 GA.
19	R32028	TERMINAL	1		SPLICE, 10-12 GA.
20	AL2976T	CONNECTOR	1		2-WIRE BULLET CONNECTOR
21	R65595	TERMINAL	1		FEMALE, 10 GA.
22	R65596	TERMINAL	1		MALE, 10 GA., OR TWO 14 GA. CABLES
23	R65597	TERMINAL	1		MALE, 14-16 GA.
24	R65598	TERMINAL	1		MALE, SHORT, 14-16 GA.
25	R65599	TERMINAL	1		14-16 GA., 1/4" EYELET
26	R65600	TERMINAL	1		FEMALE, 14-16 GA.
27	R65601	TERMINAL	1		TWIN-LOCK, TWO 16 GA. CABLES
28	R65602	SOCKET CONTACT	1		BULB SOCKET, 16-18 GA.
29	R65603	TERMINAL NIPPLE	1		FUSE
30	R65604	INSULATING SLEEVE	1		14-18 GA.
31	R65605	INSULATING SLEEVE	1		8-12 GA.
32	R65606	TERMINAL	1		6-8 GA., 1/4" EYELET
33	R65607	TERMINAL	1		18-20 GA.
34	T28583	RECEPTACLE CONNECTOR BODY	1		ONE CONTACT LOCK-TYPE, MALE
35	T28585	TAB CONNECTOR BODY	1		ONE CONTACT LOCK-TYPE, FEMALE
36	U46370	CONNECTOR	1		ONE CONTACT SINGLE BODY, MALE
37	U46662	TERMINAL	1		CONNECTOR, ONE CONTACT SINGLE BODY, MALE
38	U46663	TERMINAL	1		MALE
39	U46664	TERMINAL	1		MALE
40	PM797NA	KIT	1		

1F12

ELECTRICAL

SUPPLEMENTARY TERMINALS AND CONNECTORS

RWP3867 -UN-01JAN94



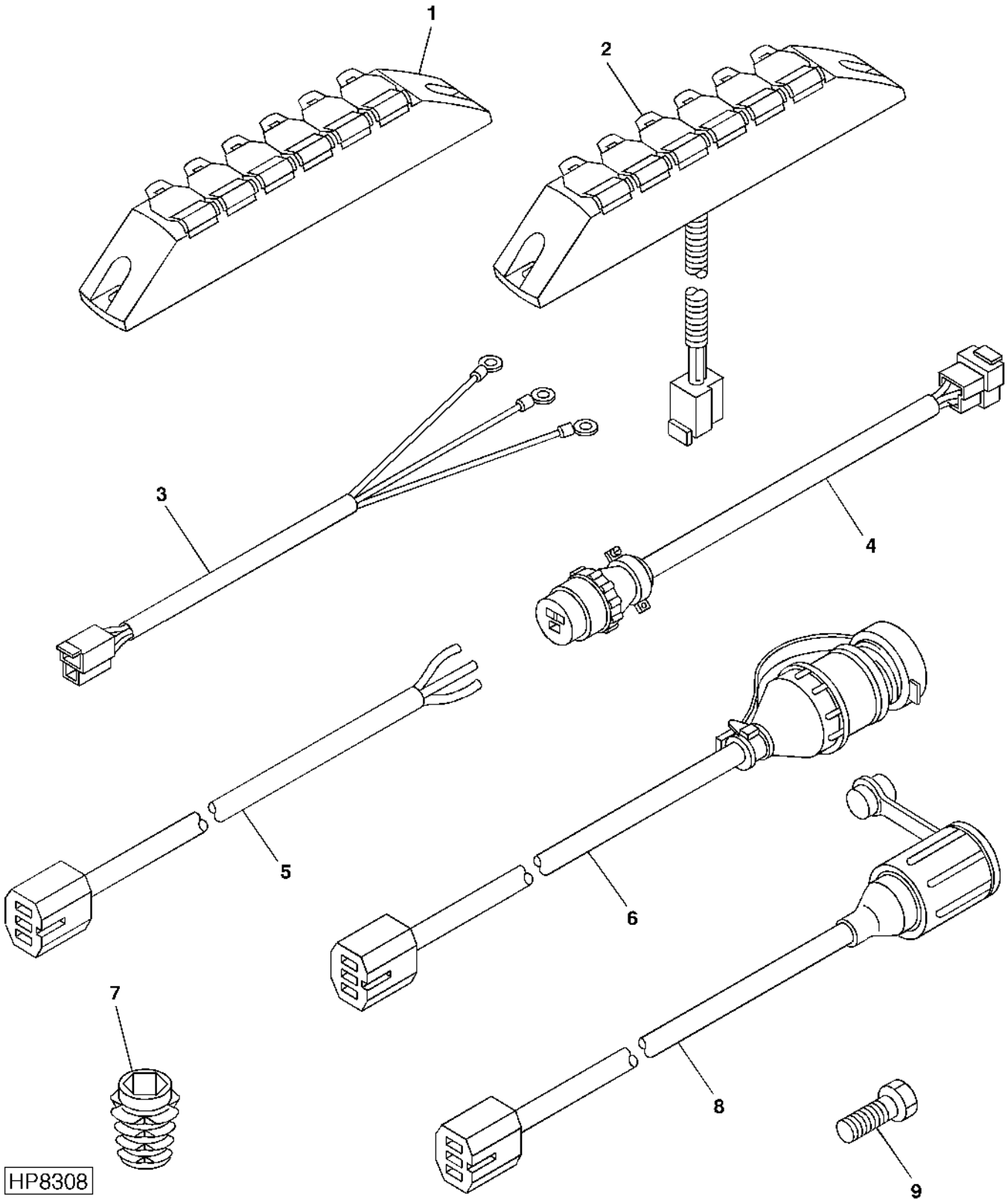
KEY	PART NO.	PART NAME	QTY	SERIAL NO.	REMARKS
1	AR65005	TERMINAL	1		
2	AR65006	TERMINAL	1		
3	R32024	WIRING LEAD	1		
4	R32025	WIRING LEAD	1		

MEMORANDA

1F13

ELECTRICAL

KIT-CONVENIENCE OUTLET
HP8308 -UN-10MAR99



HP8308

1F14

ELECTRICAL

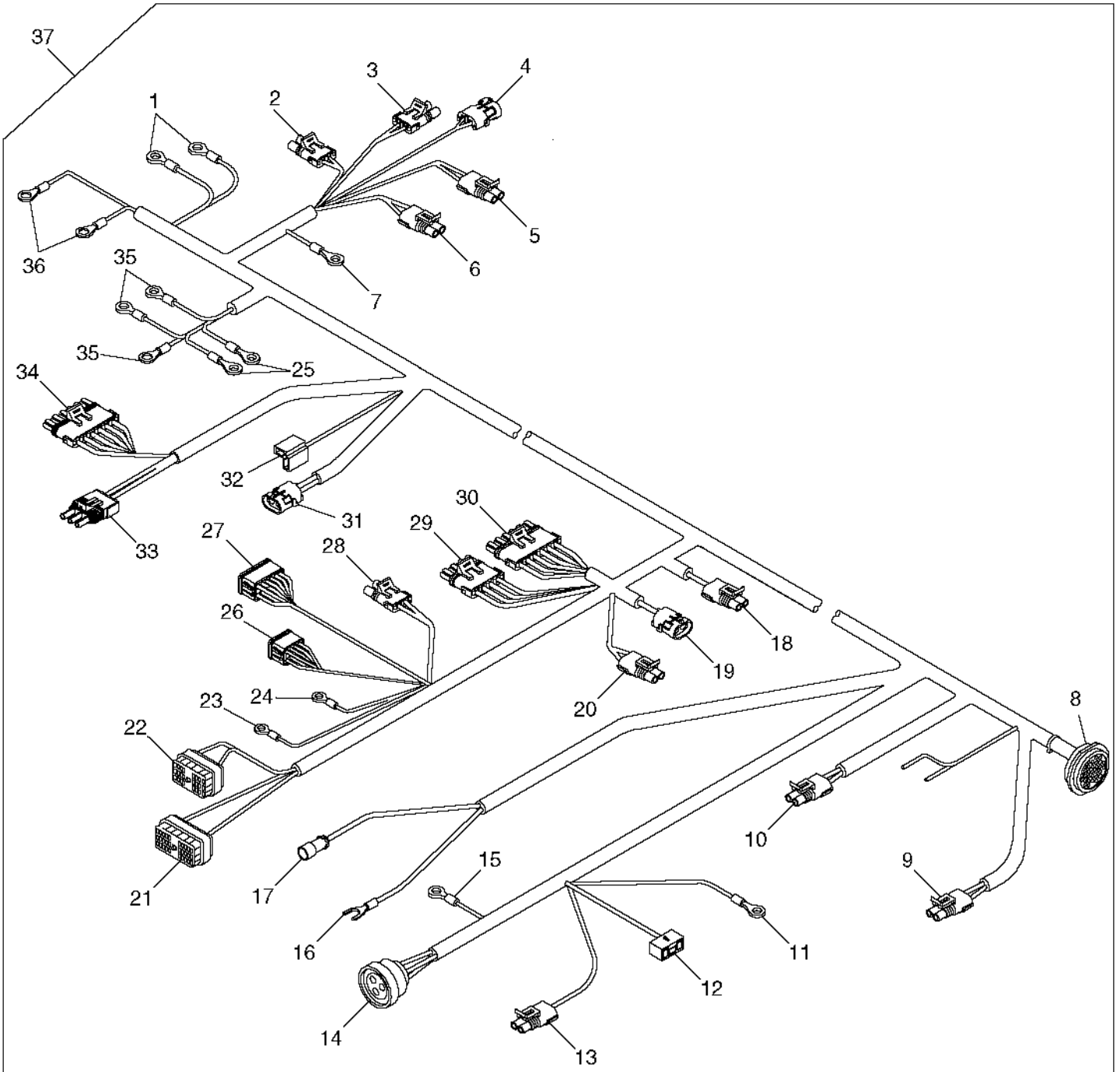
CONVENIENCE OUTLET - CONTINUED

KEY	PART NO.	PART NAME	QTY	SERIAL NO.	9 5 9 5 5 0 5 S 0 H	REMARKS
1	RE68495	STRIP	1		X X	
2	AH152668	TERMINAL	1		X X	
3	AH153311	WIRING HARNESS	1		X X	
4	AH153133	WIRING HARNESS	1		X X	
5	RE67013	ELECTRICAL PLUG	1		X X	
6	RE67015	ADAPTER	1		X X	
7	H159806	INSERT	1		X X	
8	RE67014	ADAPTER	1		X X	
9	21M7296	SCREW	2		X X	M6 X 20
..	BH81255	COMPLETE GOODS/SHIP. BUNDLE	1		X X	CONVENIENCE OUTLET KIT

1F15

ELECTRICAL

ENGINE WIRING HARNESS
HP8165 -UN-07JUL99



HP8165

1F16

ELECTRICAL

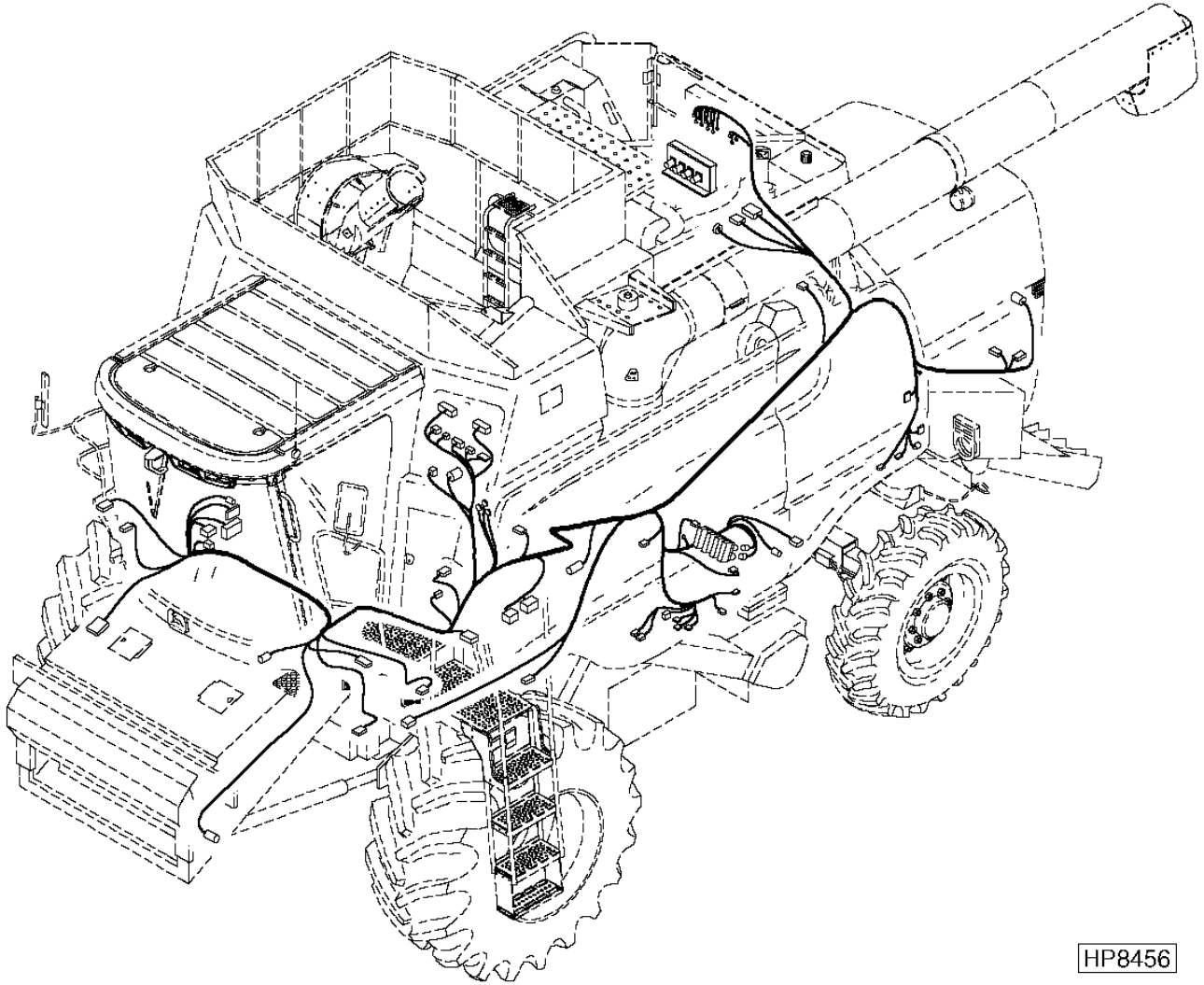
ENGINE WIRING HARNESS - CONTINUED

KEY	PART NO.	PART NAME	QTY	SERIAL NO.	0 H	REMARKS
					9	
					5	
					9	
					5	
					0	
					5	
					S	
					H	
1	57M7118	TERMINAL	2		X X	START RELAY
	57M7030	TERMINAL	1		X X	
2	R12363	CONNECTOR	1		X X	UNLOADING AUGER ENGAGE
3	R12363	CONNECTOR	1		X X	SEPERATOR ENGAGE
4	R78053	PIN CONTACT CONNECTOR BODY	1		X X	SEPERATOR DRIVE PRESS
5	57M7850	RECEPTACLE CONNECTOR BODY	1		X X	SEPERATOR DRIVE TEMPERATURE
6	57M7850	RECEPTACLE CONNECTOR BODY	1		X X	ENGINE COOLANT SWITCH/SENSOR
7	R77489	TERMINAL	3		X X	SEPERATOR DRIVE FILTER
8	57M7667	ELECTRICAL PLUG	1		X X	R.H. MAIN WIRING HARNESS
9	R12363	CONNECTOR	1		X X	A/C HIGH PRESS
10	57M7850	RECEPTACLE CONNECTOR BODY	1		X X	INLET AIR TEMPERATURE
11	TERMINAL	1		X X	GROUND
12	H104855	RECEPTACLE CONNECTOR BODY	1		X X	ALTERNATOR FIELD
13	57M7850	RECEPTACLE CONNECTOR BODY	1		X X	AUXILIARY ENGINE SPEED
14	CONNECTOR	1		X X	FUEL TEMPERATURE
15	R77489	TERMINAL	1		X X	FUEL SHUTOFF
16	R32017	TERMINAL	1		X X	A/C COMPRESSOR GROUND
17	57M7293	PIN CONTACT CONNECTOR BODY	1		X X	A/C COMPRESSOR CLUTCH
18	R12363	CONNECTOR	1		X X	ENGINE AIR FILTER
19	R78053	PIN CONTACT CONNECTOR BODY	1		X X	ENGINE SERVICE LIGHT
20	57M7850	RECEPTACLE CONNECTOR BODY	1		X X	HYDRO OIL TEMPERATURE
21	57M7275	CONNECTOR	1		X X	ECU 1
22	57M7279	CONNECTOR	1		X X	ECU 2
23	57M7030	TERMINAL	1		X X	CONTROL POWER
24	57M7030	TERMINAL	1		X X	ECU
25	57M7118	TERMINAL	2		X X	MAIN GROUND
26	57M7696	RECEPTACLE CONNECTOR BODY	1		X X	L.H. MAIN
27	57M7634	ELECTRICAL PLUG	1		X X	L.H. MAIN WIRING HARNESS
28	R78053	PIN CONTACT CONNECTOR BODY	1		X X	WALKER PLUG SWITCH
29	RE12365	CONNECTOR	1		X X	DIAGNOSTIC CONNECTOR
30	R78056	PIN CONTACT CONNECTOR BODY	1		X X	DIAGNOSTIC CONNECTOR
31	R78053	PIN CONTACT CONNECTOR BODY	1		X X	ENGINE OIL PRESS
32	R77479	CONNECTOR	1		X X	START AID
33	RE21364	CONNECTOR	1		X X	INJECTOR PUMP
34	RE12366	CONNECTOR	101		X X	INJECTOR PUMP
35	57M7572	TERMINAL	3		X X	MAIN GROUND
36	R32023	TERMINAL	2		X X	STARTER
37	AH154195	WIRING HARNESS	1		X X	ENGINE

1F17

ELECTRICAL

L.H. MAIN WIRING HARNESS - REFERENCE
HP8456 -UN-14APR99



HP8456

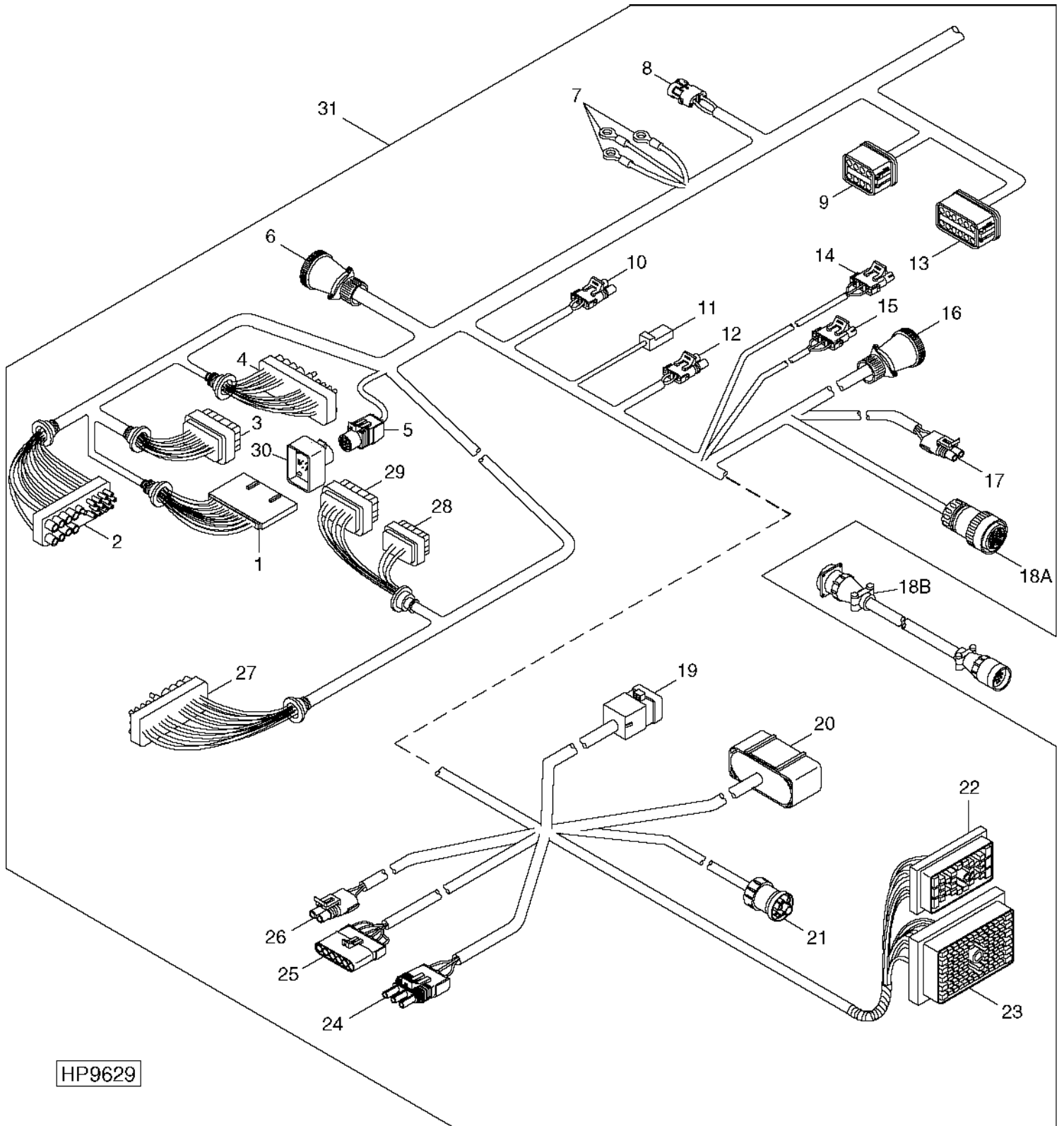
KEY	PART NO.	PART NAME	QTY	SERIAL NO.	REMARKS
1	AH166987	WIRING HARNESS	1	9550550550H	X X L.H. MAIN

MEMORANDA

1F18

ELECTRICAL

L.H. MAIN WIRING HARNESS
HP9629 -UN-24MAR00



HP9629

1F19

ELECTRICAL

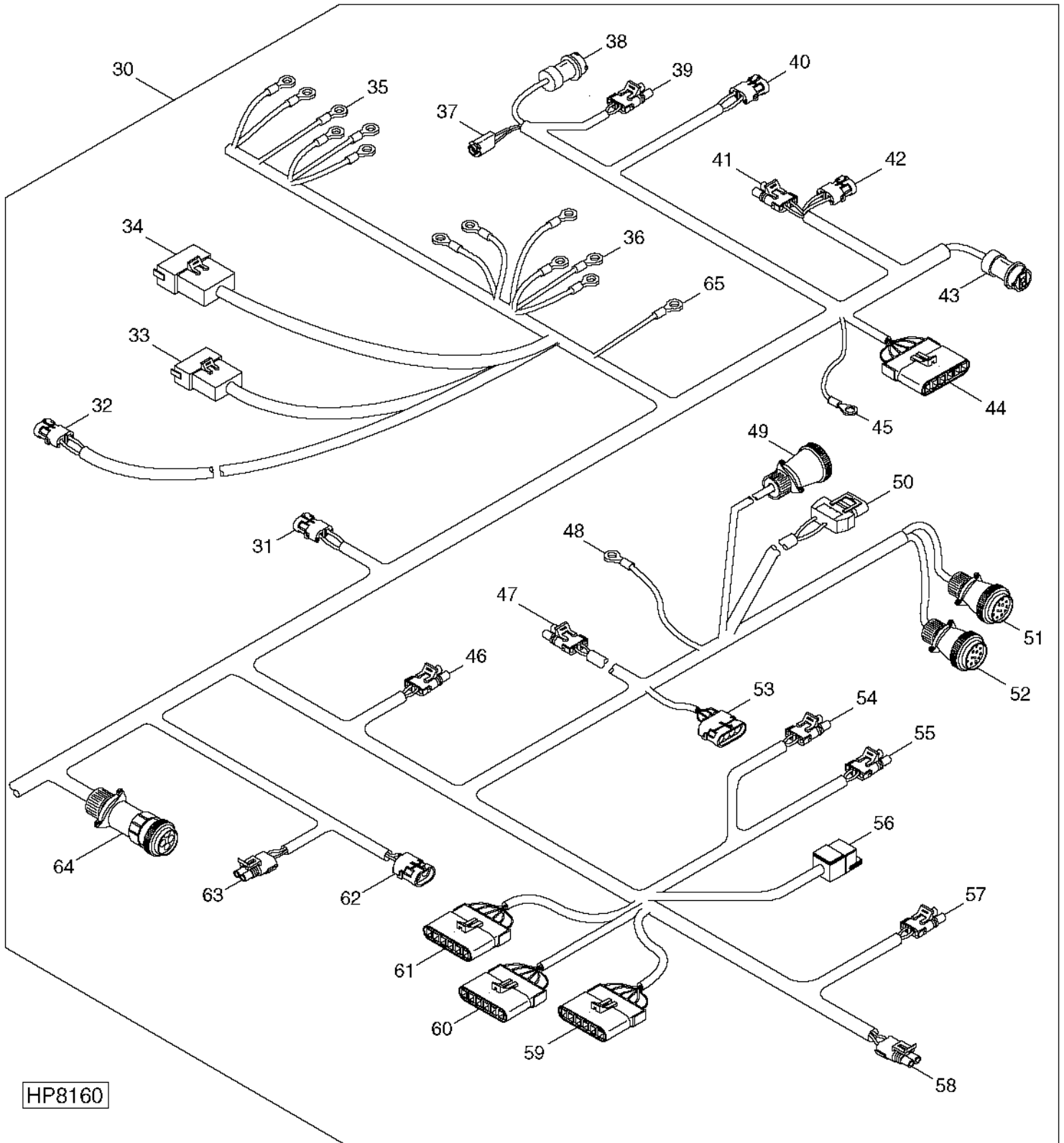
L.H. MAIN WIRING HARNESS - CONTINUED

KEY	PART NO.	PART NAME	QTY	SERIAL NO.	0 H	REMARKS
					9	
					5	
					9 5	
					5 0	
					5 S	
					0 H	
1	57M7818	ELECTRICAL PLUG	1		X X	DASH
2	H132513	CONNECTOR	1		X X	CEB POWER DISTRIBUTION BOARD
3	57M7253	RECEPTACLE	1		X X	RELAY PANEL 1
4	H132513	CONNECTOR	1		X X	POWER BOARD
5	57M7538	RECEPTACLE CONNECTOR BODY	1		X X	TERMINATOR
6	AH135787	ELECTRICAL PLUG	1		X X	GRAIN TANK
7	57M7572	TERMINAL	2		X X	GRAIN TANK GROUND
	57M7118	TERMINAL	2		X X	GROUND
8	R78053	PIN CONTACT CONNECTOR BODY	1		X X	GULLWING SERVICE LIGHTS
9	57M7632	ELECTRICAL PLUG	1		X X	SLAVE TAILING SENSOR
10	RE12363	CONNECTOR	1		X X	CLUTCH
11	M47293	TERMINAL	1		X X	WINDSHIELD WASHER PUMP
12	RE12363	CONNECTOR	1		X X	TAILINGS ELEVATOR LSSM
13	57M7634	ELECTRICAL PLUG	1		X X	MASTER TAILING SENSOR
14	RE12364	SOCKET CONT.CONNECTOR BODY	1		X X	FEEDER HOUSE POSITION SENSOR
15	RE12364	SOCKET CONT.CONNECTOR BODY	1		X X	L.H. TURNING SIGNAL/WARNING LAMP
16	AH135787	ELECTRICAL PLUG	1		X X	STEERING COLUMN
17	R78053	PIN CONTACT CONNECTOR BODY	1		X X	L.H. COMBINE STUBBLE LIGHT
18A	57M7661	ELECTRICAL PLUG	1		X X	HEADER WIRING HARNESS
18B	AH168232	WIRING HARNESS	1		X X	HEADER WIRING HARNESS REPAIR KIT (INCLUDES MATING CONNECTOR AND TERMINALS)
19	57M7697	CONNECTOR	1		X X	R.H. MAIN WIRING HARNESS
20	CONNECTOR	1		X X	R.H. MAIN WIRING HARNESS
21	57M7652	ELECTRICAL PLUG	1		X X	AIR CONDITIONING WIRING HARNESS
22	57M7854	CONNECTOR	1		X X	ARMREST
23	57M7693	RECEPTACLE CONNECTOR BODY	1		X X	CAB MAIN
24	CONNECTOR	1		X X	R.H. TURNING SIGNAL/WARNING LAMP
25	R78056	PIN CONTACT CONNECTOR BODY	1		X X	HEADER R.H. SENSOR WIRING HARNESS
26	RE12363	CONNECTOR	1		X X	R.H. COMBINE STUBBLE LIGHT
27	H132513	CONNECTOR	1		X X	CEB POWER DISTRIBUTION BOARD
28	57M7279	CONNECTOR	1		X X	HEADER CONTROL J2
29	57M7253	RECEPTACLE	1		X X	HEADER CONTROL J1
30	RE70773	DEVICE	1		X X	CAN TERMINATOR (6 PIN)
31	AH166987	WIRING HARNESS	1		X X	L.H. MAIN
..	AH165526	MODULE	1		X X	

1F20

ELECTRICAL

L.H. MAIN WIRING HARNESS - CONTINUED
HP8160 -UN-06JUL99



HP8160

1F21

ELECTRICAL

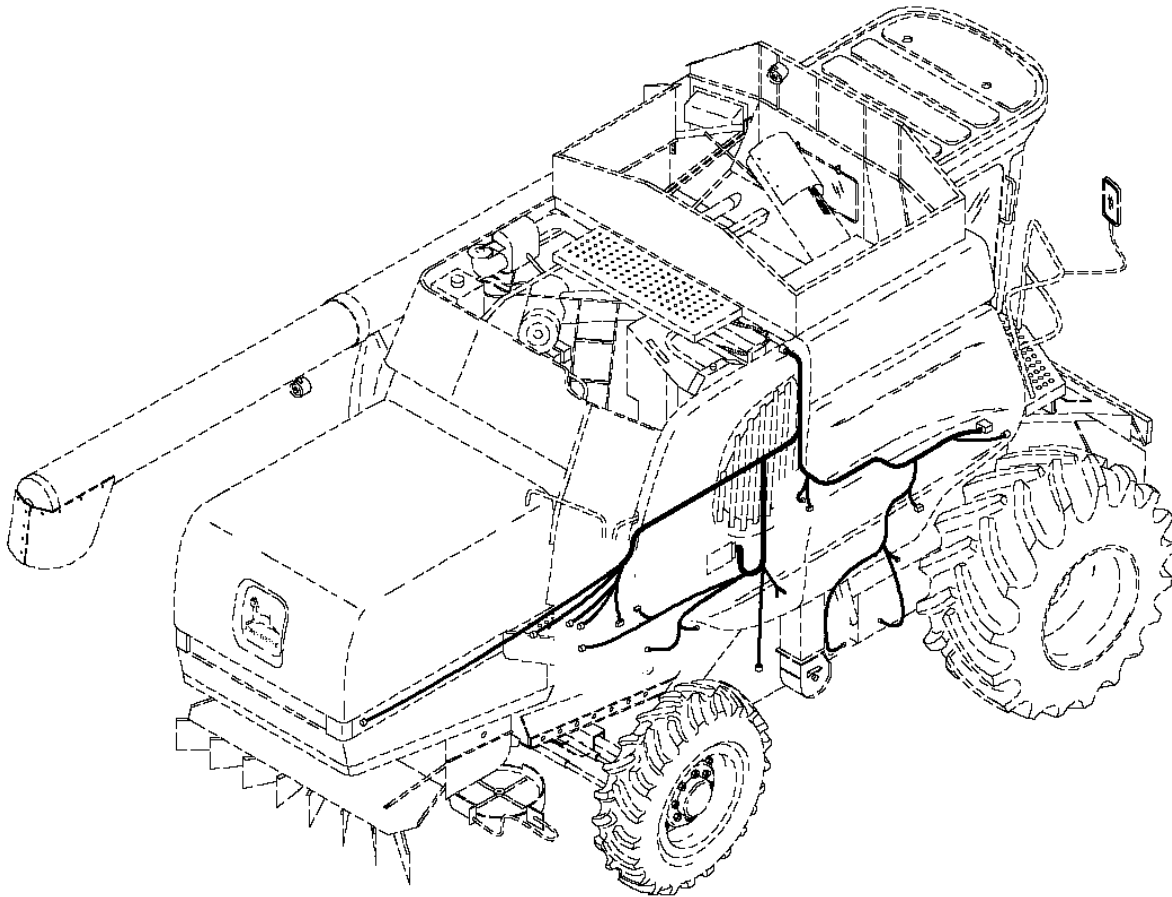
L.H. MAIN WIRING HARNESS - CONTINUED

KEY	PART NO.	PART NAME	QTY	SERIAL NO.	0 H	REMARKS
					9	
					5	
					9	
					5	
					0	
					5	
					S	
					0	
					H	
30	AH166987	WIRING HARNESS	1		X X	L.H. MAIN
31	R78053	PIN CONTACT CONNECTOR BODY	1		X X	HYDRO CHARGE PRESS
32	CONNECTOR	1		X X	ENGINE WIRING HARNESS
33	57M7697	CONNECTOR	1		X X	ENGINE WIRING HARNESS
34	57M7633	RECEPTACLE	1		X X	ENGINE WIRING HARNESS
35	57M7030	TERMINAL	3		X X	RELAY PANEL
	57M7732	ELECTRICAL PLUG	4		X X	
	57M7132	TERMINAL	2		X X	
36	57M7572	TERMINAL	2		X X	RELAY PANEL
	57M7732	ELECTRICAL PLUG	1		X X	
37	SOCKET CONTACT	1		X X	(ORDER AH140120) L.H. REAR SIDE MARKER LAMP
38	CONNECTOR	1		X X	L.H. REAR TAIL/TURN LAMP
39	RE12363	CONNECTOR	1		X X	L.H. WARNING LAMP
	H141411	CAP	1		X X	
40	R78053	PIN CONTACT CONNECTOR BODY	1		X X	REAR LIGHT
41	R78053	PIN CONTACT CONNECTOR BODY	1		X X	STRAW CHOPPER LSSM
42	RE12363	CONNECTOR	1		X X	CHOPPER LSSM SHORTING PLUG
43	CONNECTOR	1		X X	L.H. TAIL/BRAKE SIGNAL
44	CONNECTOR	1		X X	
45	CONNECTOR	1		X X	L.H. REAR SIDE SHEET GROUND
46	RE12363	CONNECTOR	1		X X	WALKER SPEED LSSM
47	RE12363	CONNECTOR	1		X X	COIL
48	57M7572	TERMINAL	1		X X	VALVE STACK GROUND
49	CONNECTOR	1		X X	DIODE MODULE
	AH165984	MODULE	1		X X	DIODE
50	CONNECTOR	1		X X	L.H. SHOE LAMP
51	H118426	CONNECTOR	1		X X	VALVE STACK
52	H118426	CONNECTOR	1		X X	VALVE STACK
53	R78055	PIN CONTACT CONNECTOR BODY	1		X X	SIDEHILL WIRING HARNESS
54	RE12363	CONNECTOR	1		X X	GULLWING SWITCH
55	RE12363	CONNECTOR	1		X X	SHOE LIGHT SWITCH
56	Z62206	ELECTRICAL PLUG	1		X X	FAN SPEED ACTUATOR
57	RE12363	CONNECTOR	1		X X	POWERED REAR WHEELS
58	RE12363	CONNECTOR	1		X X	CLEAN GRAIN ELEVATOR LSSM
59	CONNECTOR	1		X X	
60	CONNECTOR	1		X X	
61	CONNECTOR	1		X X	
62	R78053	PIN CONTACT CONNECTOR BODY	1		X X	GROUND SPEED SENSOR
63	RE12363	CONNECTOR	1		X X	CONVEYOR AUGER LSSM
64	AE44392	CONNECTOR	1		X X	REEL SPEED ACTUATOR
65	TERMINAL	1		X X	RELAY PANEL GROUND

1F22

ELECTRICAL

R.H. MAIN WIRING HARNESS, W/O GREENSTAR - REFERENCE
 HP8458 -UN-14APR99



HP8458

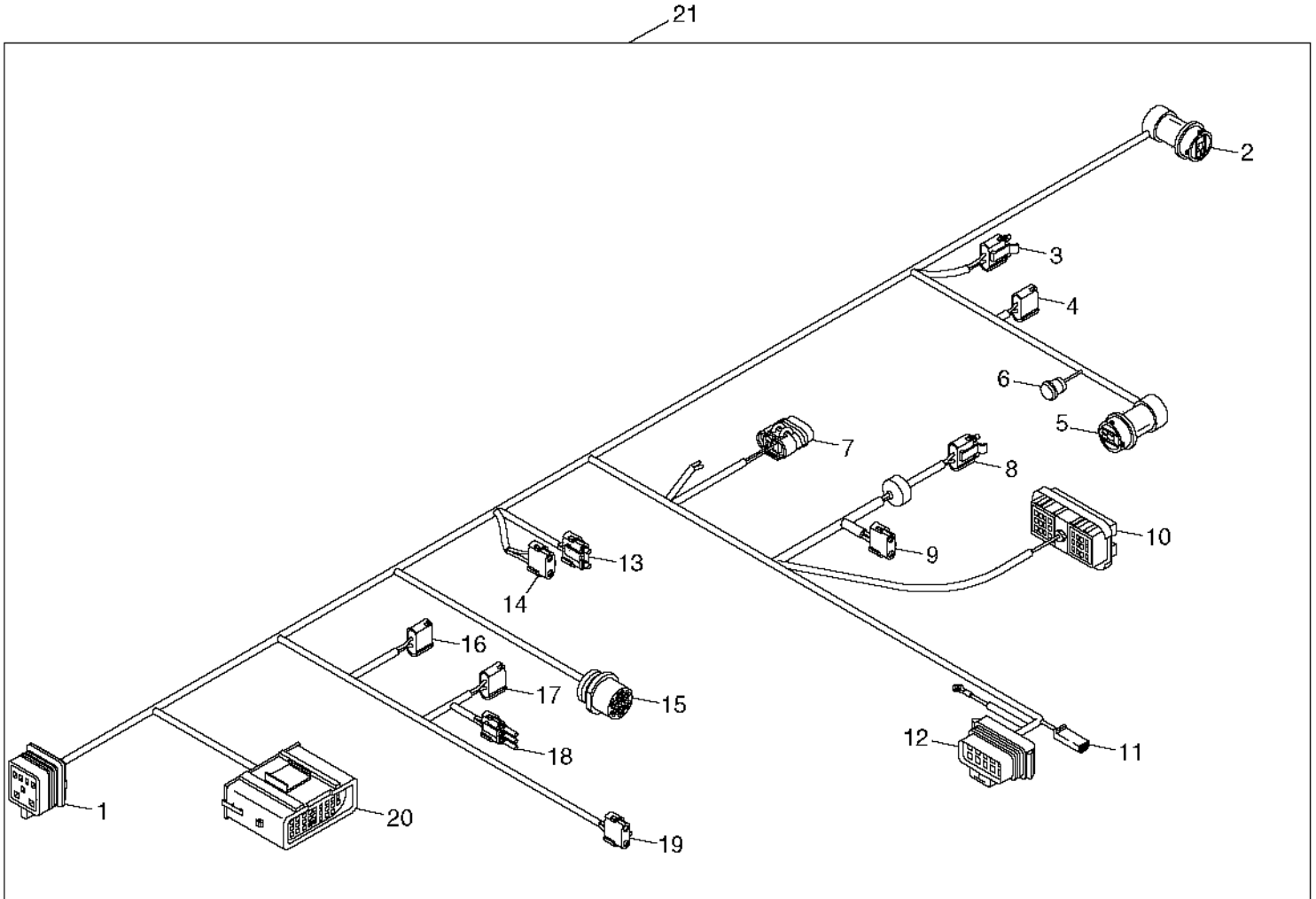
KEY	PART NO.	PART NAME	QTY	SERIAL NO.	REMARKS
1	AH165008	WIRING HARNESS	1	9 5 9 5 5 0 H	X X R.H. MAIN (W/O GREENSTAR)

MEMORANDA

1F23

ELECTRICAL

R.H. MAIN WIRING HARNESS, W/O GREENSTAR
HP8166 -UN-26JAN99



HP8166

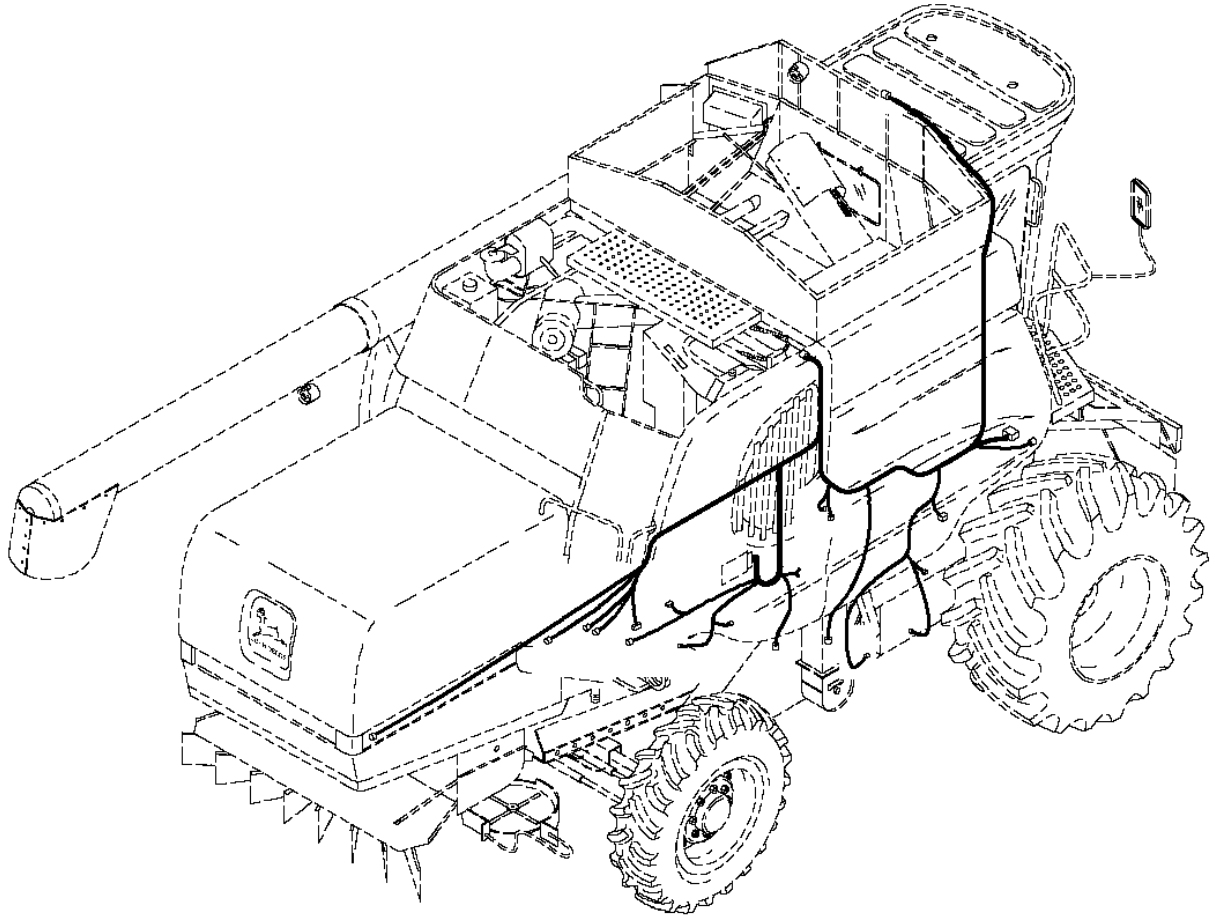
R.H. MAIN WIRING HARNESS, W/O GREENSTAR - CONTINUED

KEY	PART NO.	PART NAME	QTY	SERIAL NO.	0 H	REMARKS
					9	
					5	
					9 5	
					5 0	
					5 S	
					0 H	
1	57M7696	RECEPTACLE CONNECTOR BODY	1		X X	L.H. MAIN WIRING HARNESS
	57M7698	INSULATING SLEEVE	1		X X	
2	CONNECTOR	1		X X	R.H. REAR TURN SIGNAL LIGHT
3	RE12363	CONNECTOR	1		X X	ENGINE SERVICE LIGHT SWITCH
4	R78053	PIN CONTACT CONNECTOR BODY	1		X X	REAR DISCHARGE LIGHT
5	CONNECTOR	1		X X	R.H. REAR WARNING LIGHT
6	SOCKET CONTACT	1		X X	(ORDER AH140120) R.H. CENTER SIDE MARKER LIGHT
7	CONNECTOR	1		X X	SHOE LIGHT
8	RE12363	CONNECTOR	1		X X	R.H. WARNING LIGHT
9	RE12363	CONNECTOR	1		X X	ROTARY SCREEN SERVICE LIGHT
10	57M7276	CONNECTOR	1		X X	HARVESTRAK PRE-AMP
11	T28583	RECEPTACLE CONNECTOR BODY	1		X X	FUEL PUMP
12	57M7262	RECEPTACLE CONNECTOR BODY	1		X X	HARVESTRAK SENSOR HARNESS
13	57M7813	RECEPTACLE	1		X X	FUEL LEVEL
14	R78053	PIN CONTACT CONNECTOR BODY	1		X X	GULLWING LIGHTS
15	57M7666	RECEPTACLE	1		X X	ENGINE HARNESS
16	R78053	PIN CONTACT CONNECTOR BODY	1		X X	CONCAVE SPEED SENSOR
17	R78053	PIN CONTACT CONNECTOR BODY	1		X X	CONCAVE ADJUST ACTUATOR
18	RE12364	SOCKET CONT.CONNECTOR BODY	1		X X	CONCAVE SENSOR
19	R78053	PIN CONTACT CONNECTOR BODY	1		X X	FAN SPEED SENSOR
20	CONNECTOR	1		X X	L.H. MAIN CONNECTOR
21	AH165008	WIRING HARNESS	1		X X	R.H. MAIN (W/O GREENSTAR)
..	H117952	CLAMP	6		X X	
..	AH140120	KIT	1		X X	LIGHT REPAIR

1F25

ELECTRICAL

R.H. MAIN WIRING HARNESS W/GREENSTAR - REFERENCE
 HP8459 -UN-14APR99



HP8459

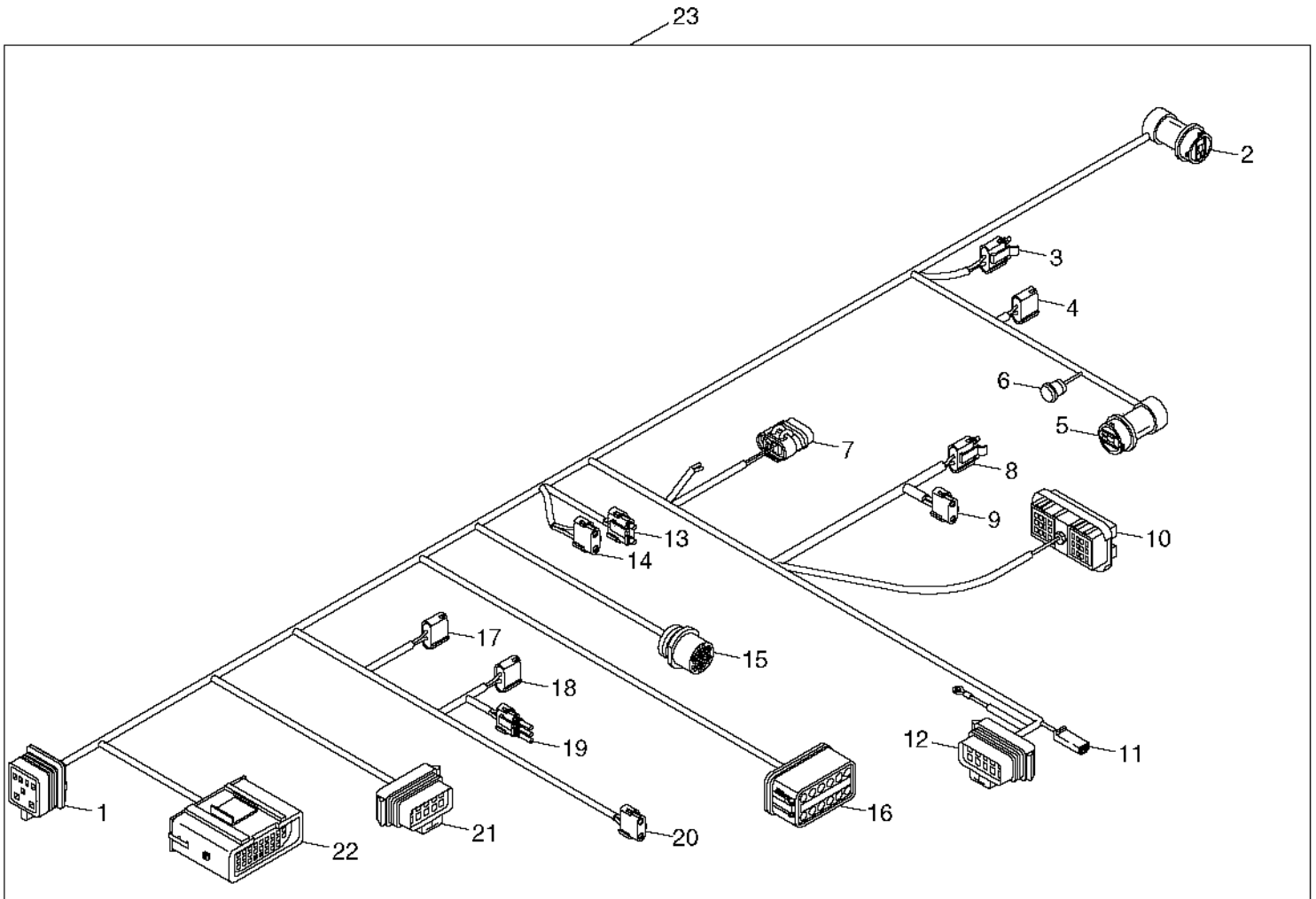
KEY	PART NO.	PART NAME	QTY	SERIAL NO.	REMARKS
1	AH165007	WIRING HARNESS	1	95505S0H	X X R.H. MAIN (W/GREENSTAR)

MEMORANDA

1G1

ELECTRICAL

R.H. MAIN WIRING HARNESS, W/GREENSTAR
HP8169 -UN-26JAN99



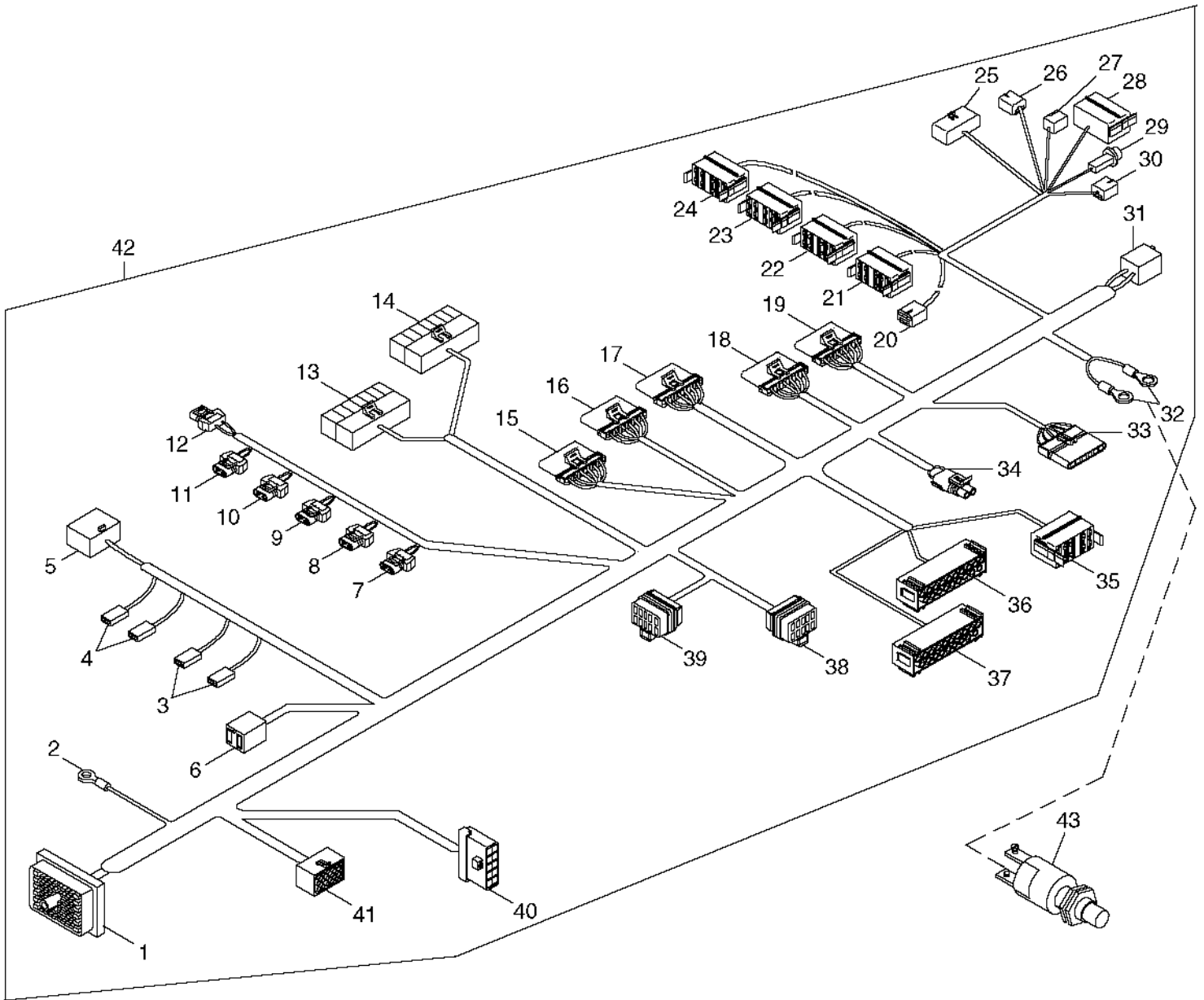
HP8169

R.H. MAIN WIRING HARNESS, W/GREENSTAR - CONTINUED

KEY	PART NO.	PART NAME	QTY	SERIAL NO.	0 H	REMARKS
1	57M7696	RECEPTACLE CONNECTOR BODY	1		X X	L.H. MAIN WIRING HARNESS
	57M7698	INSULATING SLEEVE	1		X X	
2	CONNECTOR	1		X X	R.H. REAR TURN SIGNAL LIGHT
3	RE12363	CONNECTOR	1		X X	ENGINE SERVICE LIGHT SWITCH
4	R78053	PIN CONTACT CONNECTOR BODY	1		X X	REAR DISCHARGE LIGHT
5	CONNECTOR	1		X X	R.H. REAR WARNING LIGHT
6	SOCKET CONTACT	1		X X	(ORDER AH140120) R.H. CENTER SIDE MARKER LIGHT
7	CONNECTOR	1		X X	SHOE LIGHT
8	RE12363	CONNECTOR	1		X X	R.H. WARNING LIGHT
9	RE12363	CONNECTOR	1		X X	ROTARY SCREEN SERVICE LIGHT
10	57M7276	CONNECTOR	1		X X	HARVESTRAK PRE-AMP
11	T28583	RECEPTACLE CONNECTOR BODY	1		X X	FUEL PUMP
12	57M7262	RECEPTACLE CONNECTOR BODY	1		X X	HARVESTRAK SENSOR HARNESS
13	57M7813	RECEPTACLE	1		X X	FUEL LEVEL
14	R78053	PIN CONTACT CONNECTOR BODY	1		X X	GULLWING LIGHTS
15	57M7666	RECEPTACLE	1		X X	ENGINE HARNESS
16	CONNECTOR	1		X X	MOISTURE SENSOR EXTENSION
	AH163400	WIRING HARNESS	1		X X	DUST CAP (12-WAY W/JUMPER)
17	R78053	PIN CONTACT CONNECTOR BODY	1		X X	CONCAVE SPEED SENSOR
18	R78053	PIN CONTACT CONNECTOR BODY	1		X X	CONCAVE ADJUST ACTUATOR
19	RE12364	SOCKET CONT.CONNECTOR BODY	1		X X	CONCAVE SENSOR
20	R78053	PIN CONTACT CONNECTOR BODY	1		X X	FAN SPEED SENSOR
21	CONNECTOR	1		X X	POSITON SENSOR
22	CONNECTOR	1		X X	L.H. MAIN CONNECTOR
23	AH165007	WIRING HARNESS	1		X X	R.H. MAIN (W/GREENSTAR)
..	H117952	CLAMP	6		X X	
..	AH140120	KIT	1		X X	LIGHT REPAIR

9
5
9 5
5 0
5 S
0 H

MAIN CAB WIRING HARNESS
HP8137 -UN-19FEB99



HP8137

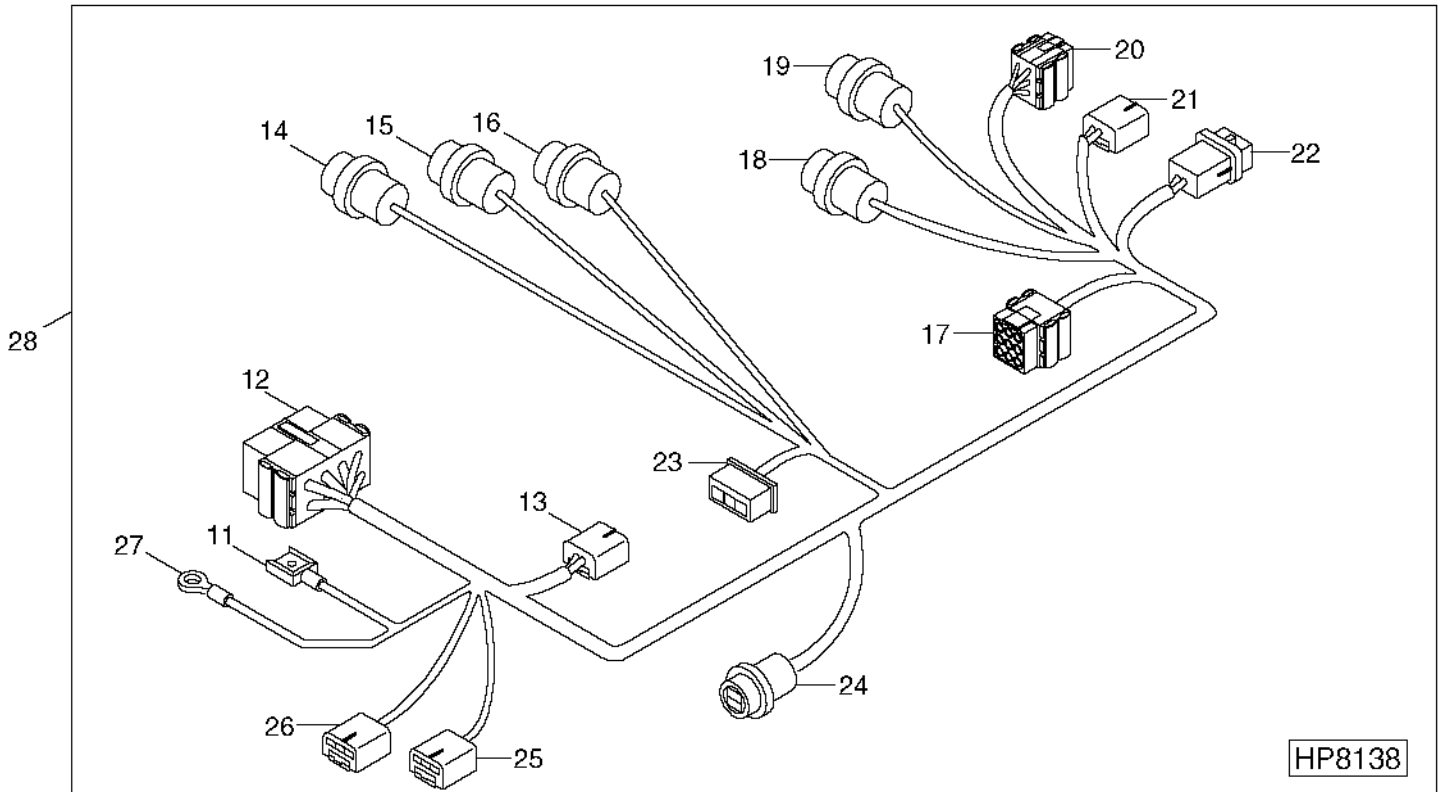
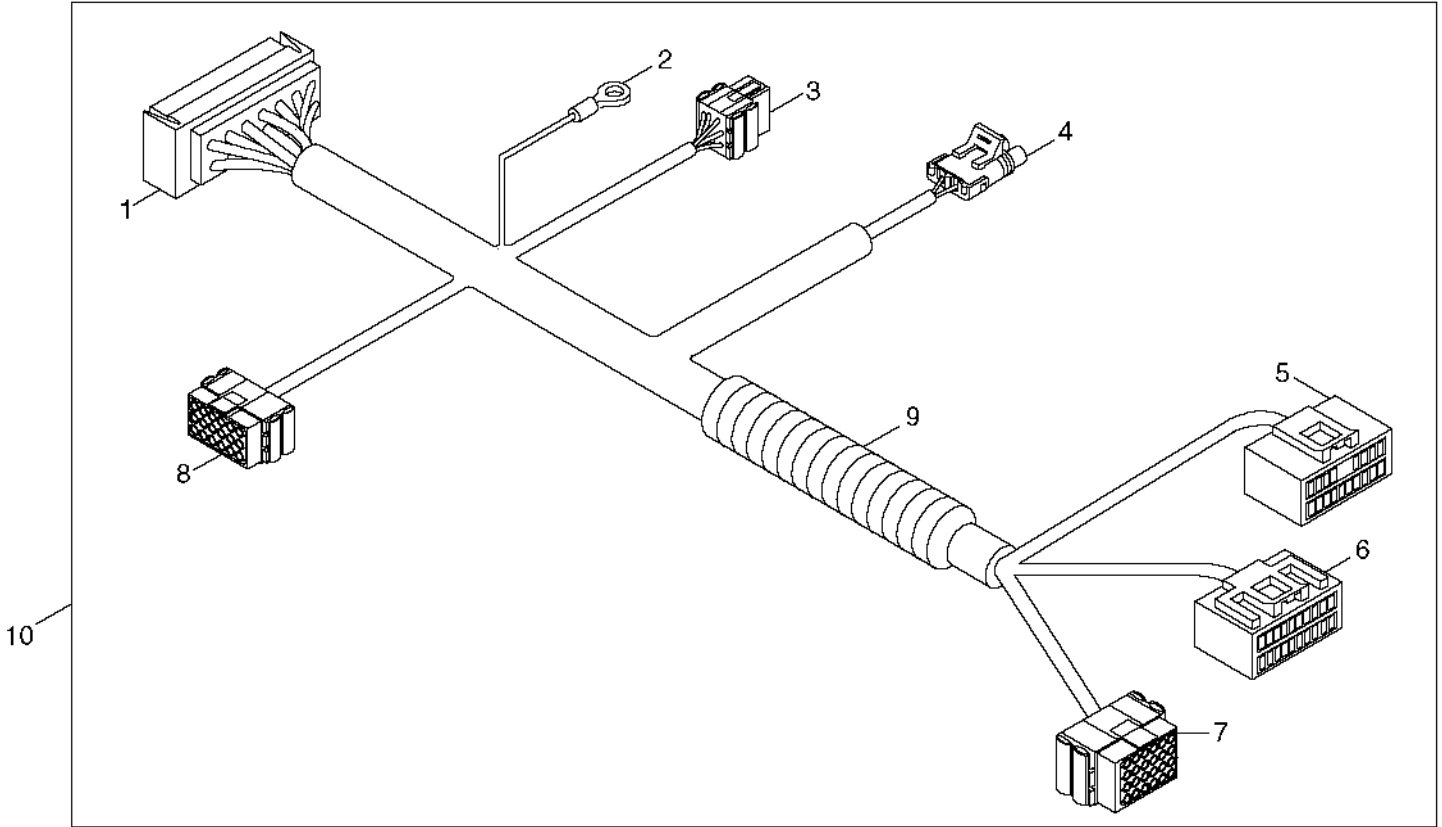
MAIN CAB WIRING HARNESS - CONTINUED

KEY	PART NO.	PART NAME	QTY	SERIAL NO.	0 H	REMARKS
					9	
					5	
					9 5	
					5 0	
					5 S	
					0 H	
1	57M7692	PIN CONTACT CONNECTOR BODY	1		X X	LEFT MAIN HARNESS
	57M7695	INSULATING SLEEVE	2		X X	
2	CONNECTOR	1		X X	CAB GROUND
3	CONNECTOR	2		X X	PANEL LAMP
4	CONNECTOR	2		X X	DOME LAMP
5	R48887	TAB CONNECTOR BODY	1		X X	DOME LAMP SWITCH
6	R104927	ELECTRICAL PLUG	1		X X	RIGHT SPEAKER
7	CONNECTOR	1		X X	RIGHT OUTSIDE ROAD LAMP
8	CONNECTOR	1		X X	RIGHT SIDE FIELD LAMP
9	CONNECTOR	1		X X	RIGHT INSIDE ROAD LAMP
10	CONNECTOR	1		X X	LEFT INSIDE ROAD LAMP
11	CONNECTOR	1		X X	LEFT SIDE FIELD LAMP
12	CONNECTOR	1		X X	LEFT OUTSIDE ROAD LAMP
13	CONNECTOR	1		X X	R.H. CORNERPOST
14	57M7471	CONNECTOR	1		X X	R.H. CORNERPOST
15	CONNECTOR	1		X X	
16	CONNECTOR	1		X X	
17	CONNECTOR	1		X X	
18	CONNECTOR	1		X X	
19	CONNECTOR	1		X X	
20	CONNECTOR	1		X X	LAMP DIMMER
	57M7726	ELECTRICAL PLUG	1		X X	
21	CONNECTOR	1		X X	HAZARD SWITCH
22	CONNECTOR	1		X X	ROAD SWITCH
23	CONNECTOR	1		X X	FIELD SWITCH
24	CONNECTOR	1		X X	STUBBLE/CHOPPER SWITCH
25	57M7488	RECEPTACLE CONNECTOR BODY	1		X X	RADIO
26	CONNECTOR	1		X X	FAN SPEED
27	57M7785	RECEPTACLE	1		X X	AXLE FAN SWITCH
	57M7724	ELECTRICAL PLUG	1		X X	
28	CONNECTOR	1		X X	MODE
29	57M7792	ELECTRICAL PLUG	1		X X	DIAGNOSTIC LED
30	CONNECTOR	1		X X	TEMP SET
31	R104927	ELECTRICAL PLUG	1		X X	LEFT SPEAKER
32	CONNECTOR	1		X X	DOOR SWITCH
33	CONNECTOR	1		X X	
34	RE12363	CONNECTOR	1		X X	WIPER MOTOR
35	CONNECTOR	1		X X	WIPER SWITCH
36	Z55270	TERMINAL	1		X X	WARNING DISPLAY PANEL J2
37	Z55270	TERMINAL	1		X X	WARNING DISPLAY PANEL J1
38	57M7262	RECEPTACLE CONNECTOR BODY	1		X X	GREENSTAR DISPLAY
39	CONNECTOR	1		X X	MAPPING COMPUTER
40	57M7792	ELECTRICAL PLUG	1		X X	A/C HARNESS
41	CONNECTOR	1		X X	ARMREST HARNESS
42	AH166145	CAB WIRING HARNESS	1		X X	MAIN CAB, W/GREENSTAR
43	RE51234	DOOR LIGHT SWITCH	1		X X	

1G5

ELECTRICAL

ARMREST WIRING HARNESS
HP8138 -UN-08APR99



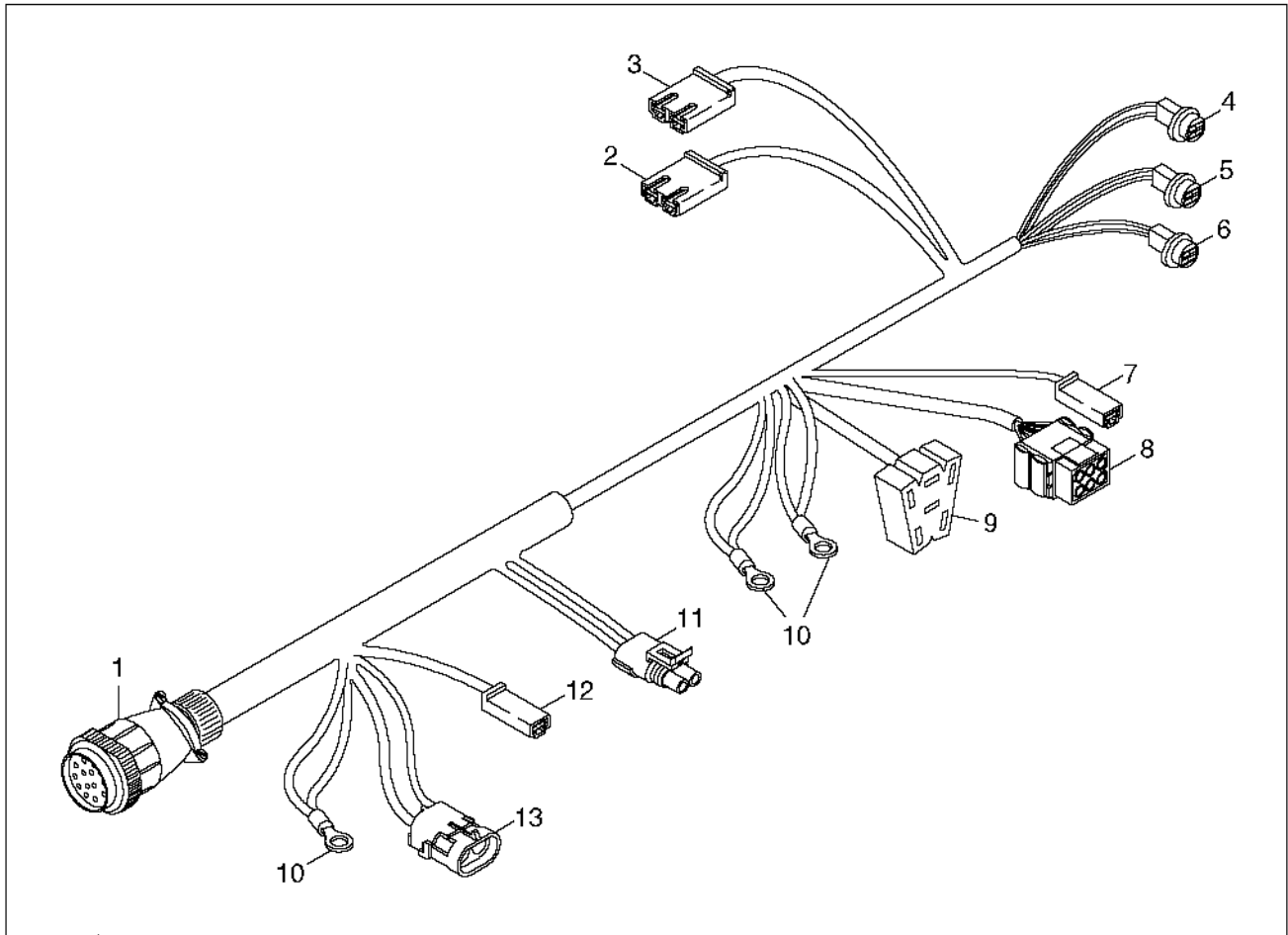
1G6

ELECTRICAL

ARMREST WIRING HARNESS - CONTINUED

KEY	PART NO.	PART NAME	QTY	SERIAL NO.	0 H	REMARKS
					9	
					5	
					9 5	
					5 0	
					5 S	
					0 H	
1	57M7853	CONNECTOR	1		X X	LEFT MAIN HARNESS
2	57M7572	TERMINAL	1		X X	CAB GROUND
3	R77738	CONNECTOR	1		X X	TO A/C HARNESS CAN BUS
4	RE12363	CONNECTOR	1		X X	SEAT SWITCH
5	CONNECTOR	1		X X	CONNECTOR J7
6	CONNECTOR	1		X X	CONNECTOR J6-2
7	57M7817	ELECTRICAL PLUG	1		X X	MINI ARMREST HARNESS
8	CONNECTOR	1		X X	CAB MAIN HARNESS
9	N218670	HOSE	1		X X	
10	AH162785	WIRING HARNESS	1		X X	ARMREST MAIN
11	U46662	TERMINAL	1		X X	CIGAR LIGHTER GROUND
12	CONNECTOR	1		X X	ARM REST MAIN HARNESS
13	57M7785	RECEPTACLE	1		X X	NEUTRAL GATE REVERSE
	57M7724	ELECTRICAL PLUG	1		X X	
14	CONNECTOR	1		X X	BACKLIGHT NO. 4
15	CONNECTOR	1		X X	BACKLIGHT NO. 3
16	CONNECTOR	1		X X	BACKLIGHT NO. 2
17	CONNECTOR	1		X X	ARMREST BOARD
18	CONNECTOR	1		X X	BACKLIGHT NO. 5
19	CONNECTOR	1		X X	BACKLIGHT NO. 6
20	AH116902	CONNECTOR	1		X X	DIAL-A-SPEED
21	57M7726	ELECTRICAL PLUG	1		X X	HEIGHT CONTROL ENCODER
22	57M7723	ELECTRICAL PLUG	1		X X	SOLAR SENSOR
23	CONNECTOR	1		X X	MEMBRANE SWITCH, GRD PLN
24	CONNECTOR	1		X X	BACKLIGHT NO. 1
25	57M7726	ELECTRICAL PLUG	1		X X	RATE ADJUST
26	57M7726	ELECTRICAL PLUG	1		X X	SENSITIVITY ADJUST
27	CONNECTOR	1		X X	CIGAR LIGHTER POWER
28	AH161601	WIRING HARNESS	1		X X	MINI ARMREST

STEERING COLUMN WIRING HARNESS
HP8150 -UN-20JAN99



14

HP8150

1G8

ELECTRICAL

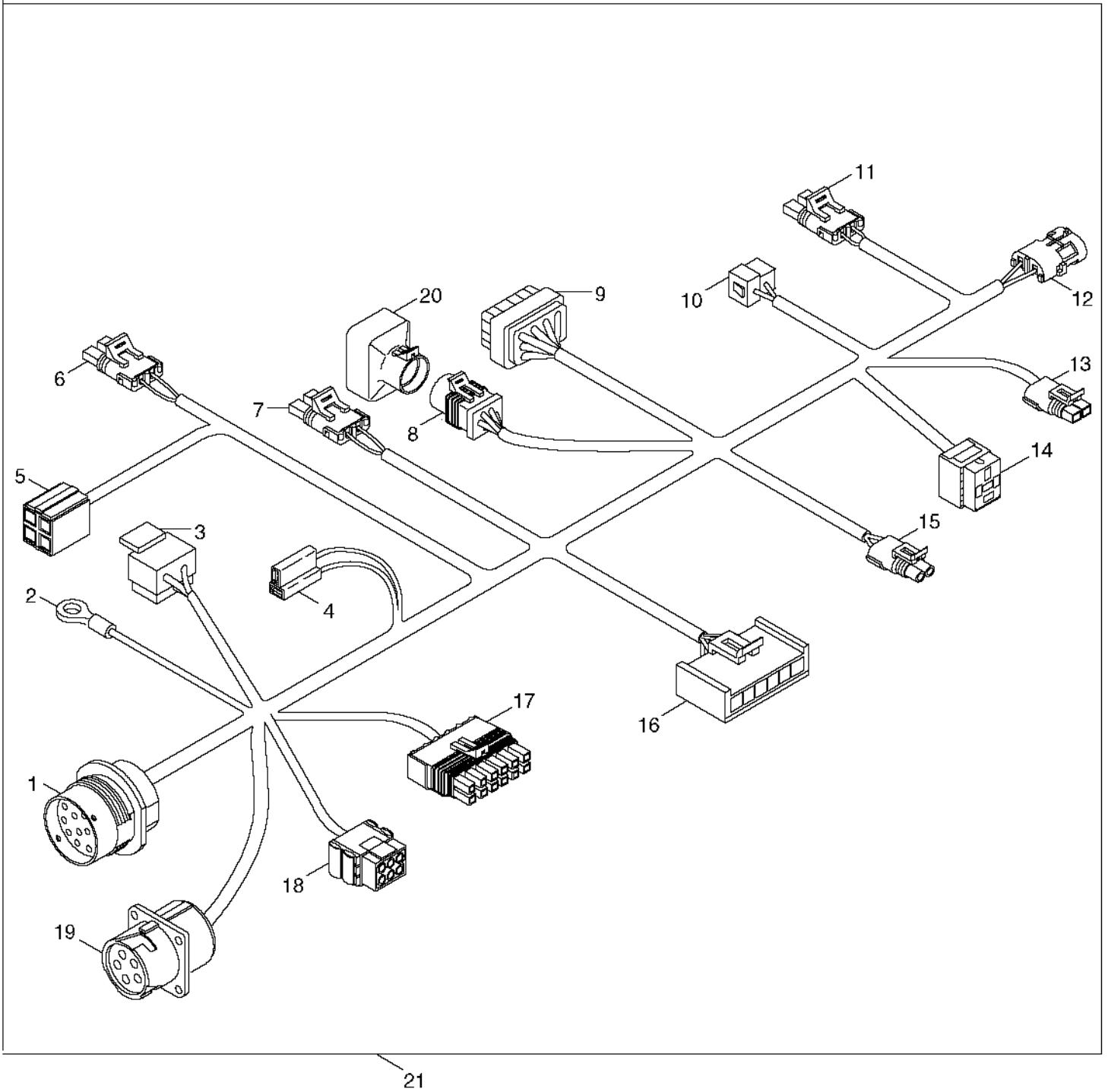
STEERING COLUMN WIRING HARNESS - CONTINUED

KEY	PART NO.	PART NAME	QTY	SERIAL NO.	9 5 9 5 5 0 5 S 0 H	REMARKS
1	H140664	CONNECTOR	1		X X	L.H. MAIN WIRING HARNESS
	AN152467	CONNECTOR	1		X X	
2	R77480	RECEPTACLE CONNECTOR BODY	1		X X	HORN SWITCH
3	R77480	RECEPTACLE CONNECTOR BODY	1		X X	STARTING AID SWITCH
4	CONNECTOR	1		X X	MAX TILT INDICATOR
5	CONNECTOR	1		X X	RIGHT TURN INDICATOR
6	CONNECTOR	1		X X	LEFT TURN INDICATOR
7	T28583	RECEPTACLE CONNECTOR BODY	1		X X	IGNITION
8	57M7820	RECEPTACLE	1		X X	TURN SIGNAL
9	L38238	TEE FITTING	1		X X	IGNITION SWITCH
10	57M7112	TERMINAL	2		X X	GROUND
	R65599	TERMINAL	1		X X	GROUND
11	RE12363	CONNECTOR	1		X X	PARK BRAKE
12	57M7462	CONNECTOR	1		X X	HORN
13	R78053	PIN CONTACT CONNECTOR BODY	1		X X	FLOAT GAUGE LIGHT
14	AH165583	WIRING HARNESS	1		X X	STEERING COLUMN

1G9

AIR CONDITIONING WIRING HARNESS

HP9273 -UN-12NOV99



HP9273

1G10

ELECTRICAL

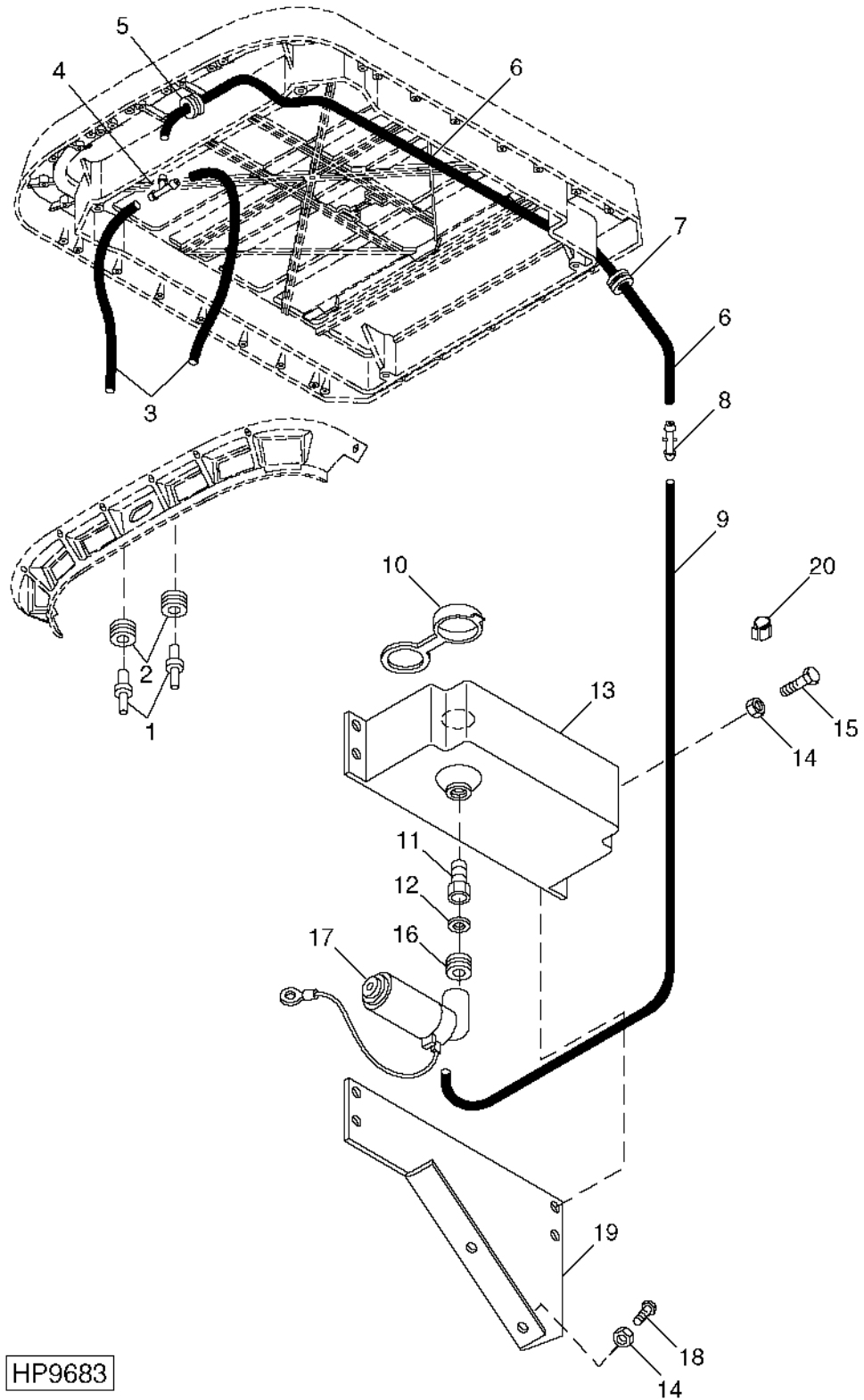
AIR CONDITIONING WIRING HARNESS - CONTINUED

KEY	PART NO.	PART NAME	QTY	SERIAL NO.	0 H	REMARKS
					9	
					5	
					9 5	
					5 0	
					5 S	
					0 H	
1	57M8044	RECEPTACLE	1		X X	CAB WALL CONNECTOR
2	57M7118	TERMINAL	1		X X	MAIN GROUNDS
	57M7572	TERMINAL	1		X X	
3	T106409	CONNECTOR	1		X X	CONVENIENCE OUTLET
4	57M7144	RECEPTACLE CONNECTOR BODY	1		X X	AIR RIDE SEAT
5	CONNECTOR	1		X X	RECIRCULATING FAN MOTOR DRIVER
6	57M7813	RECEPTACLE	1		X X	OUTLET TEMPERATURE SENSOR
7	57M7813	RECEPTACLE	1		X X	AMBIENT AIR TEMPERATURE SENSOR
8	57M7538	RECEPTACLE CONNECTOR BODY	1		X X	CAN BUS TERMINATOR
	57M7540	INSULATING CAPSULE	1		X X	
9	CONNECTOR	1		X X	CONTROL MODULE
10	57M7144	RECEPTACLE CONNECTOR BODY	1		X X	PRESSURIZER FAN
11	57M7254	RECEPTACLE CONNECTOR BODY	1		X X	CORE TEMPERATURE PROBE
12	R78053	PIN CONTACT CONNECTOR BODY	1		X X	LOW PRESSURE SWITCH
13	57M7813	RECEPTACLE	1		X X	INLET AIR TEMPERATURE CONNECTOR
14	ET15766	CONNECTOR BODY,(PIN&SOCKET)	1		X X	PRESSURIZER FAN RELAY
15	RE12363	CONNECTOR	1		X X	DIAGNOSTIC SELECT
16	CONNECTOR	1		X X	WATER VALVE
17	CONNECTOR	1		X X	CAB MAIN
18	Z55272	ELECTRICAL PLUG	1		X X	ARMREST CAN BUS
19	57M7919	RECEPTACLE	1		X X	CAN BUS DIAGNOSTIC
	57M7923	INSULATING SLEEVE	1		X X	
20	RE70773	DEVICE	1		X X	CAN TERMINATOR (6 PIN)
21	AH166144	WIRING HARNESS	1		X X	AIR CONDITIONING

1G11

ELECTRICAL

WINDSHIELD WASHER
HP9683 -UN-07APR00



1G12

ELECTRICAL

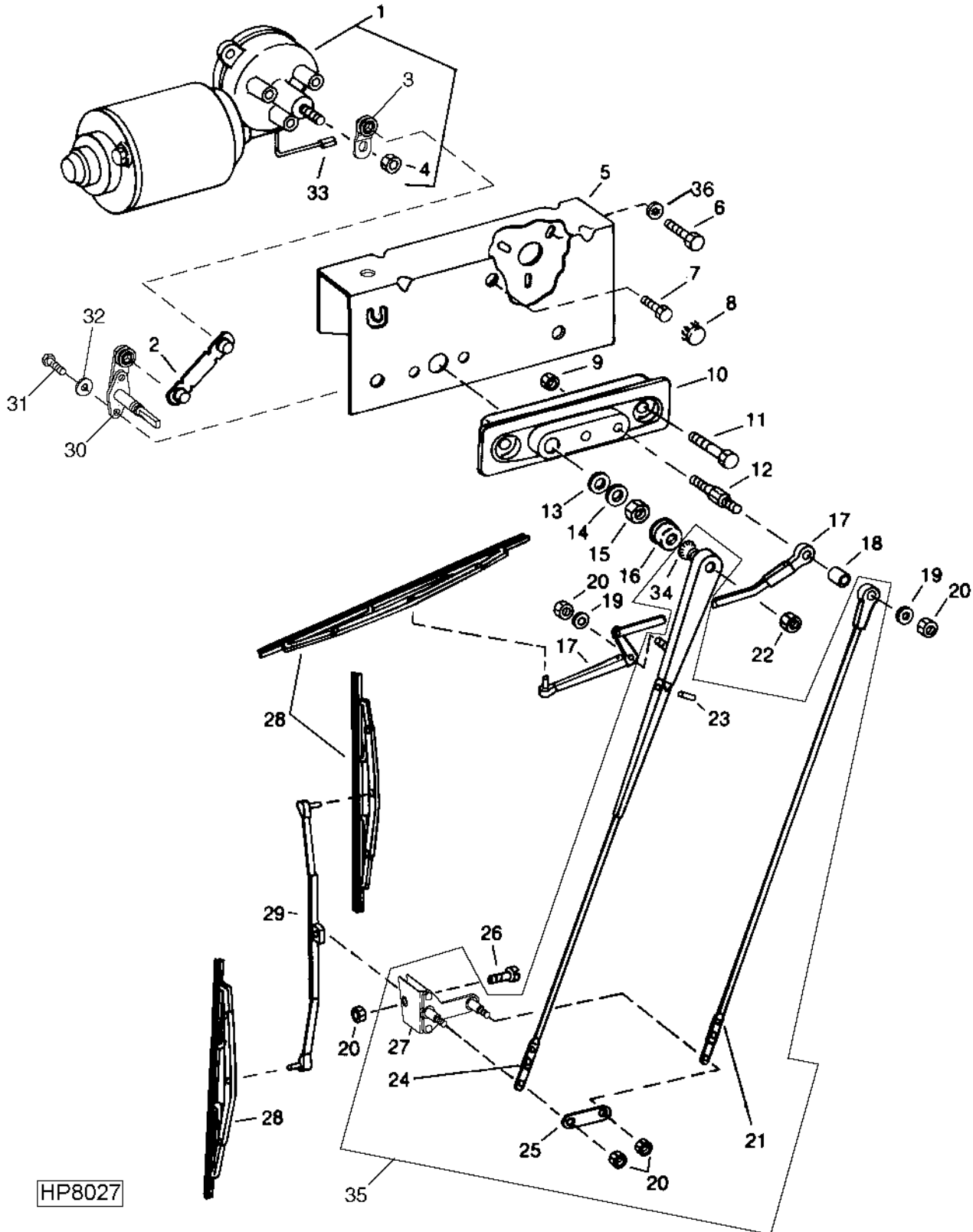
WINDSHIELD WASHER - CONTINUED

KEY	PART NO.	PART NAME	QTY	SERIAL NO.	0 H	REMARKS
					9	
					5	
					9 5	
					5 0	
					5 S	
					0 H	
1	AH165691	NOZZLE	2		X X	
2	H145221	GROMMET	2		X X	
3	R54445	HOSE	2		X X	(200MM, L.H.)(600MM, R.H.)
4	H171555	TEE FITTING	1		X X	
5	M68701	GROMMET	1		X X	
6	R54445	HOSE	1		X X	CUT TO LENGTH
7	H987R	GROMMET	1		X X	
8	H132597	FITTING	1		X X	
9	R54445	HOSE	1		X X	1380MM
10	R64060	CAP	1		X X	
11	AR79550	FILTER	1		X X	
12	R64059	WASHER	1		X X	
13	R64056	RESERVOIR	1		X X	
14	14M7303	FLANGE NUT	6		X X	M6
15	19M7775	SCREW	4		X X	M6 X 16
16	R64058	GROMMET	1		X X	
17	AR79549	PUMP	1		X X	
18	19M7774	SCREW	2		X X	M6 X 12
19	H131595	BRACKET	1		X X	
20	H172197	HOSE CLAMP	AR		X X	
..	BH81578	COMPLETE GOODS/SHIP. BUNDLE	1		X X	WINDSHIELD WASHER

1G13

ELECTRICAL

WINDSHIELD WIPER (OPT. LONG)
HP8027 -UN-13JAN99



HP8027

1G14

ELECTRICAL

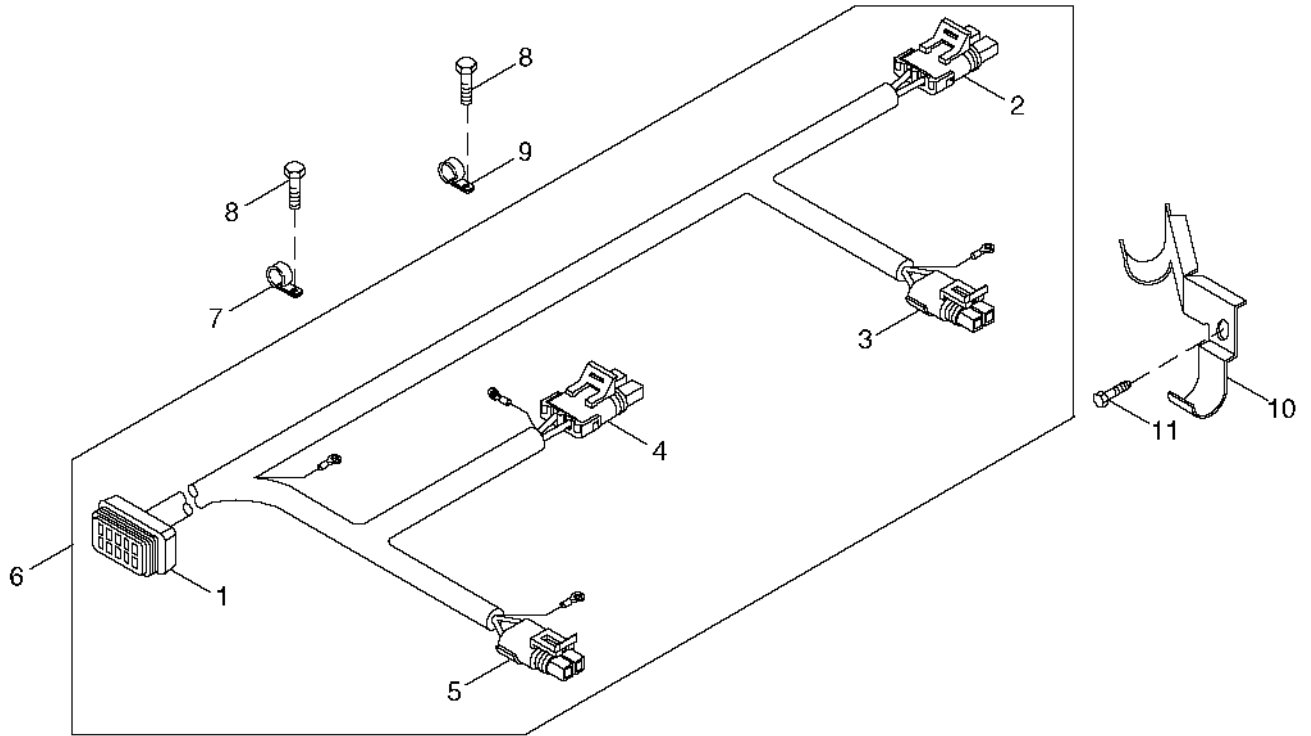
WINDSHIELD WIPER (OPT. LONG) - CONTINUED

KEY	PART NO.	PART NAME	QTY	SERIAL NO.	0 H	REMARKS
					9	
					5	
					9	
					5	
					0	
					5	
					S	
					0	
					H	
1	AH149835	WIPER MOTOR	1		X X	
2	AH123902	LINK	1		X X	
3	AH149834	CRANK	1		X X	
4	LOCK NUT	1		X X	
5	AH154278	BRACKET	1		X X	WIPER MOTOR
6	19M7774	SCREW	3		X X	M6 X 12
7	19M7865	SCREW	1		X X	M8 X 16
8	M61266	PLUG	1		X X	
9	14M7303	FLANGE NUT	1		X X	M6
10	H128820	SUPPORT	1		X X	WIPER
11	19M8317	SCREW	2		X X	M8 X 40
12	H128821	STUD	1		X X	
13	R63666	WASHER	1		X X	
14	R63667	WASHER	1		X X	
15	R63668	NUT	1		X X	17.475 MM
16	R63669	CAP	1		X X	
17	AH123908	WIPER ARM	1		X X	
18	H128841	SPACER	1		X X	6.500 X 12 X 20 MM
19	T32255	SHIM	2		X X	
20	T531T	LOCK NUT	5		X X	4.775 MM
21	ARM	1		X X	
22	F3220R	LOCK NUT	1		X X	9.525 MM
23	PIN	1		X X	FOR SHIPPING ONLY
24	AH123905	ARM	1		X X	
25	H128823	STRAP	1		X X	
26	H128859	SCREW	1		X X	4.826 X 22.280 MM
27	AH123910	BRACKET	1		X X	
28	TY16302	WIPER BLADE	3		X X	
29	AH123911	WIPER ARM	1		X X	
30	AH149833	SHAFT	2		X X	
31	21M7265	SCREW	2		X X	M5 X 12, M5 X 12
32	12M7060	WASHER	1		X X	5.300 MM
33	R78053	PIN CONTACT CONNECTOR BODY	1		X X	(PKG. OF 3)
	R78058	PIN CONTACT	1		X X	(PKG. OF 40)
	R78063	TERMINAL NIPPLE	1		X X	(PKG. OF 40)
34	R63670	WELD NUT	1		X X	KNURLED DRIVER
35	AH123904	WIPER ARM	1		X X	
36	12H356	LOCK WASHER	3		X X	6.350 MM
..	BH71948	COMPLETE GOODS/SHIP. BUNDLE	1		X X	WINDSHIELD WIPER - LONG

1G15

ELECTRICAL

HARVESTRAK WIRING HARNESS
HP8145 -UN-13APR99



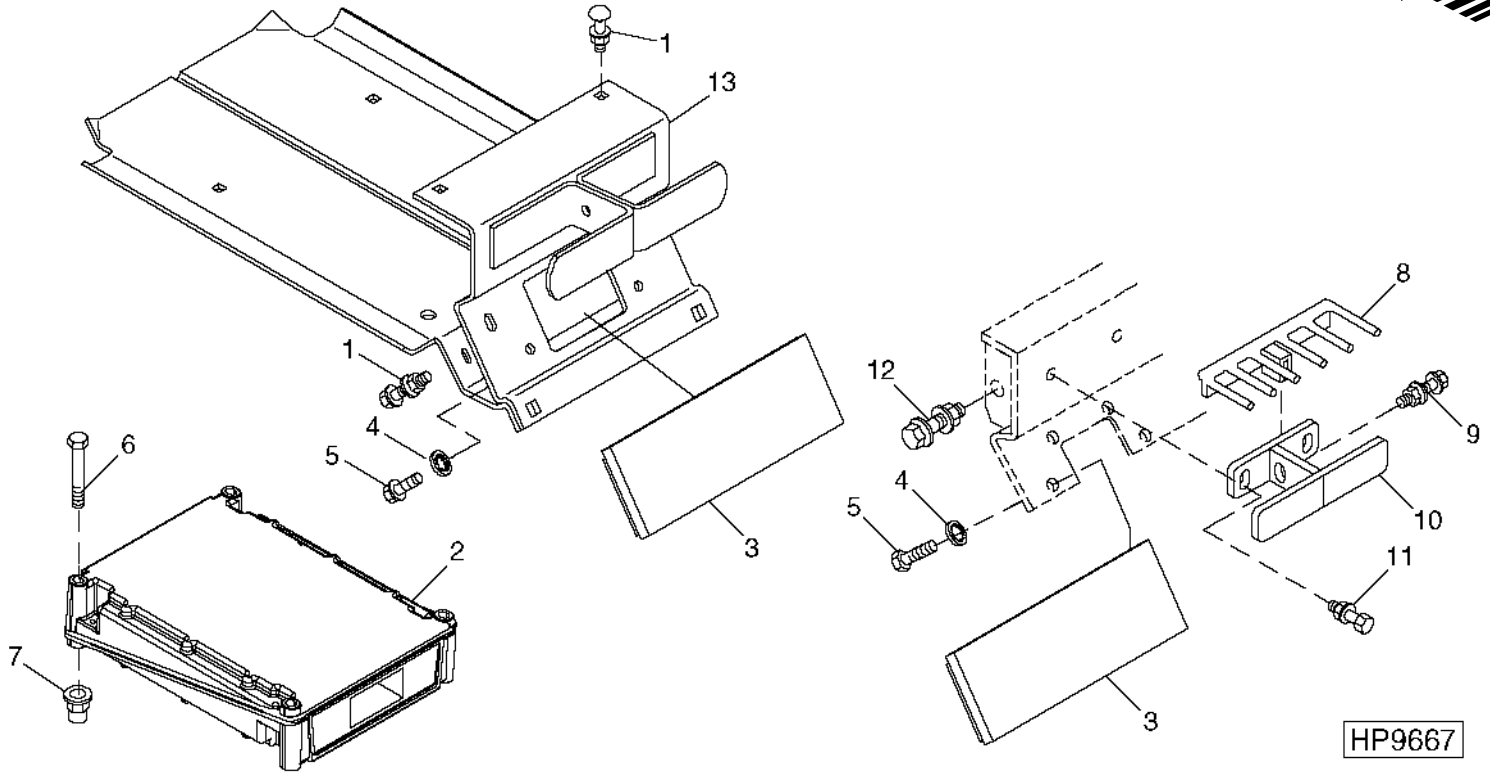
HP8145

KEY	PART NO.	PART NAME	QTY	SERIAL NO.	9 5 9 5 5 0 5 S 0 H	REMARKS
1	57M7265	PIN CONTACT CONNECTOR BODY	1		X X	R.H. MAIN
2	57M5309	CONNECTOR	1		X X	LEFT SHOE
3	57M5309	CONNECTOR	1		X X	RIGHT SHOE
4	57M5309	CONNECTOR	1		X X	RIGHT WALKER
5	57M5309	CONNECTOR	1		X X	LEFT WALKER
6	AH154855	WIRING HARNESS	1		X X	HARVESTRAK
7	AH77724	CLIP	6		X X	
8	19M7865	SCREW	11		X X	M8 X 16
9	AH89557	CLIP	5		X X	
10	H132812	RETAINER	1		X X	R.H.
	H132813	RETAINER	1		X X	L.H.
11	37M7083	SCREW	2		X X	M8 X 12

1G16

ELECTRICAL

GRAIN LOSS MONITOR SYSTEM
HP9667 -UN-30MAR00



9
5
9 5
5 0
5 S
0 H

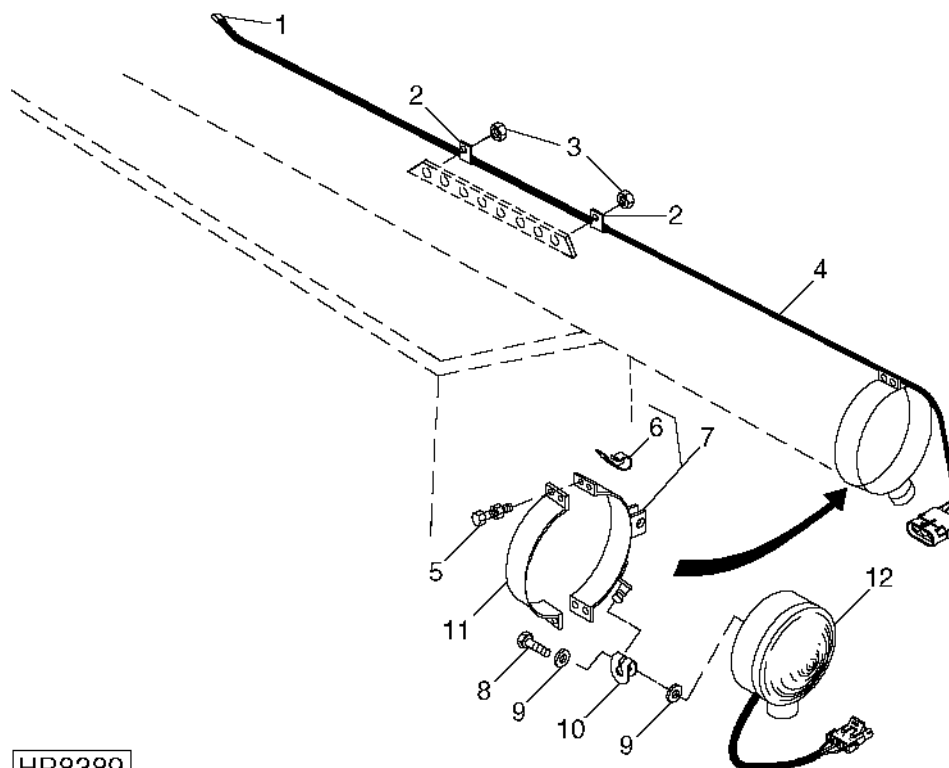
KEY	PART NO.	PART NAME	QTY	SERIAL NO.	REMARKS
1	03M7183	BOLT	8	X X	M8 X 16
	14M7298	FLANGE NUT	9	X X	M8
2	AH165536	CONTROL	1	X X	(SUB AH167722) GRAIN LOSS MONITOR (ATTACH TO WIRING HARNESS)
	AH167722	CONTROL	1	X X	
	AH166546	SENSOR	4	X X	(SUB FOR AH126272)
4	12H295	LOCK WASHER	16	X X	
5	21H1427	SCREW	16	X X	0.190" X 1/2"
6	19M7685	CAP SCREW	4	X X	M6 X 70
7	Z51633	NUT	4	X X	
8	H114411	FINGER	2	X X	
9	19M7862	SCREW	2	X X	M6 X 20
	14M7303	FLANGE NUT	2	X X	M6
10	AH125672	DEFLECTOR	2	X X	TO SHOE
11	19M7865	SCREW	4	X X	M8 X 16
	14M7298	FLANGE NUT	4	X X	M8
12	19M7865	SCREW	8	X X	M8 X 16
	14M7298	FLANGE NUT	8	X X	M8
13	AH141038	SUPPORT	2	X X	TO OUTSIDE WALKERS

1G17

ELECTRICAL

UNLOADING AUGER LIGHT AND WIRING HARNESS

HP8389 -UN-27JUL99



HP8389

9
5
9 5
5 0
5 S
0 H

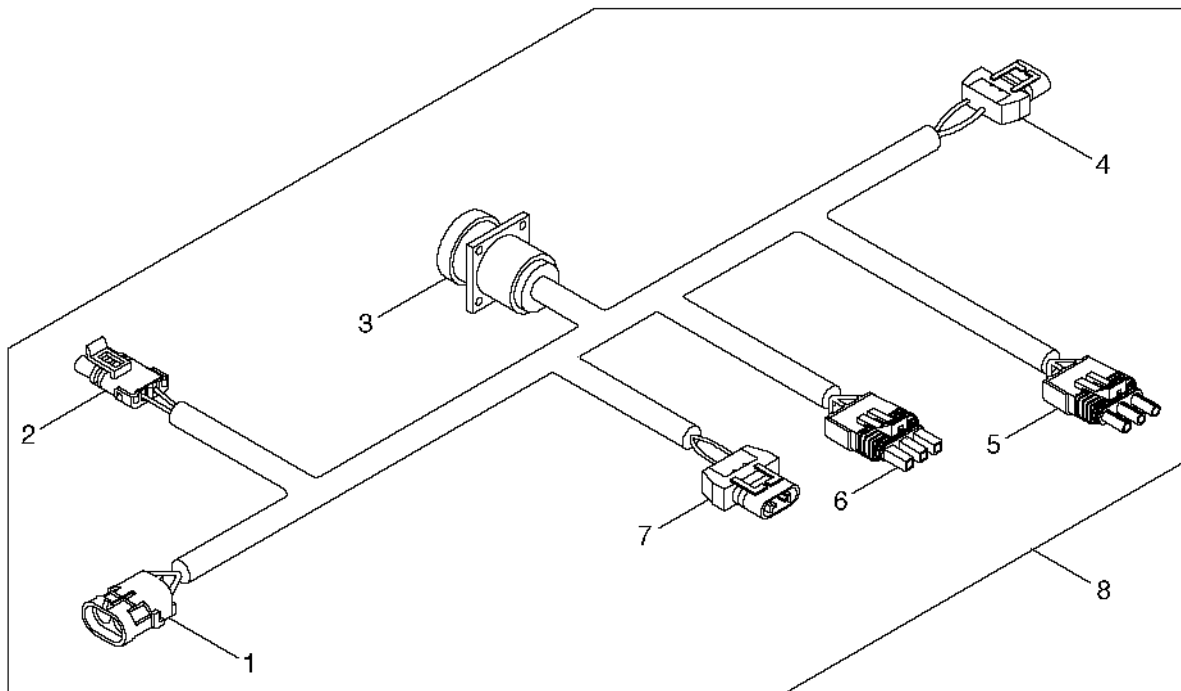
KEY	PART NO.	PART NAME	QTY	SERIAL NO.	REMARKS
1	RE12363	CONNECTOR	1	X X	(PKG OF 3)
	R78048	TERMINAL NIPPLE	1	X X	(PKG OF 5)
	R78060	SOCKET CONTACT	1	X X	(PKG OF 40)
2	AH89557	CLIP	2	X X	
3	14M7298	FLANGE NUT	2	X X	M8
4	AH160058	WIRING HARNESS	1	X X	FOR ALL AUGER LENGTHS
5	19M7800	SCREW	4	X X	M8 X 50
	14M7396	LOCK NUT	4	X X	M8
6	AH89557	CLIP	1	X X	
7	AH126541	CLAMP	1	X X	
8	19H1831	CAP SCREW	1	X X	1/2" X 2"
9	24H1111	WASHER	2	X X	
10	R67377	CLAMP	1	X X	
11	H133178	CLAMP	1	X X	
12	AH148210	HEADLIGHT	1	X X	AUGER

1G18

ELECTRICAL

GRAIN TANK WIRING HARNESS

HP8146 -UN-13JAN99



HP8146

KEY	PART NO.	PART NAME	QTY	SERIAL NO.	REMARKS
1	R78053	PIN CONTACT CONNECTOR BODY	1		UNLOADING AUGER HARNESS
2	RE12363	CONNECTOR	1		GRAIN TANK FULL SENSOR
3	H140664	CONNECTOR	1		L.H. MAIN HARNESS
4	CONNECTOR	1		R.H. ROW FINDER LAMP
5	R12365	CONNECTOR	1		MASS FLOW RATE
6	57M7280	CONNECTOR	1		GRAIN TANK LAMP
7	CONNECTOR	1		L.H. ROW FINDER LAMP
8	AH154206	WIRING HARNESS	1		GRAIN TANK

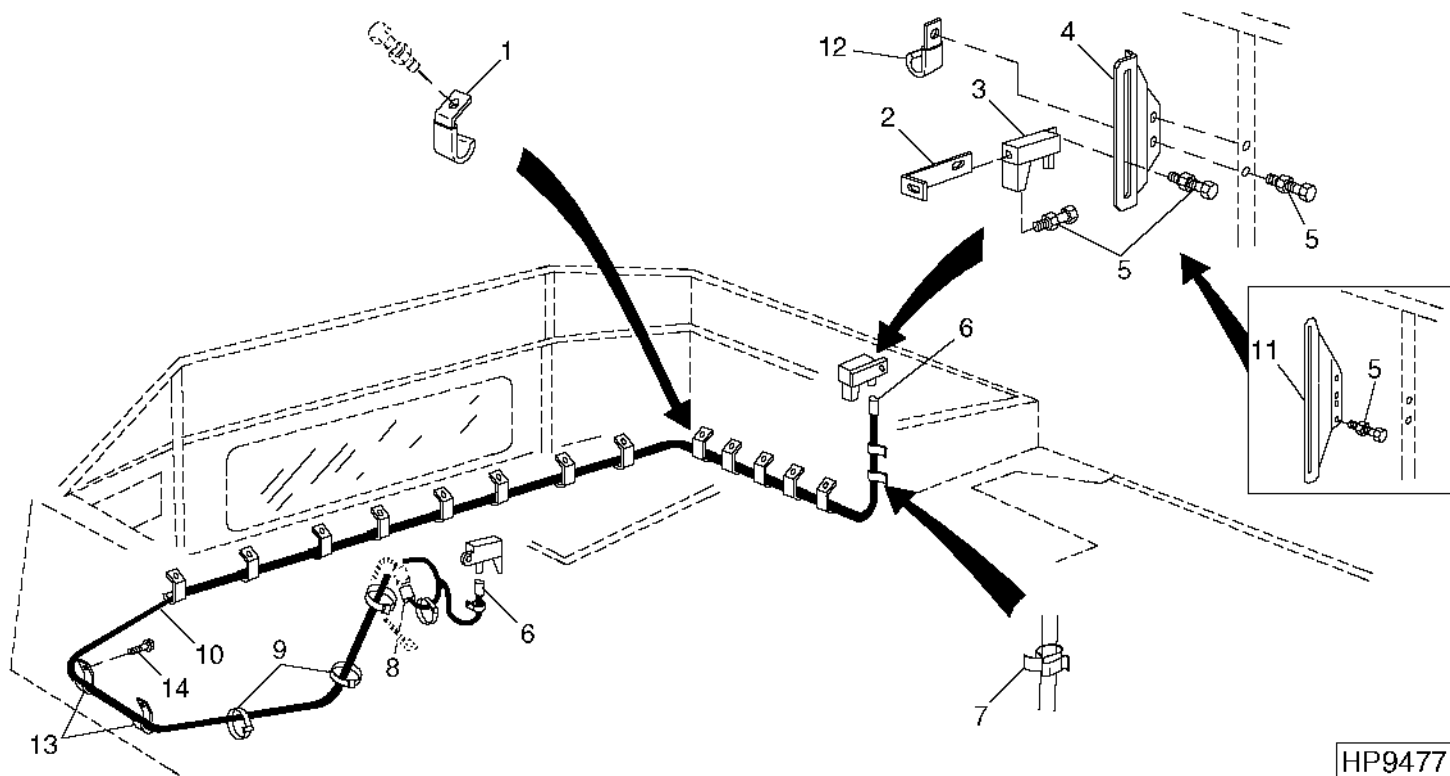
9
5
9 5
5 0
5 S
0 H

1G19

ELECTRICAL

GRAIN TANK FULL BIN SENSOR WIRING HARNESS

HP9477 -UN-07JAN00



9
5
9 5
5 0
5 S
0 H

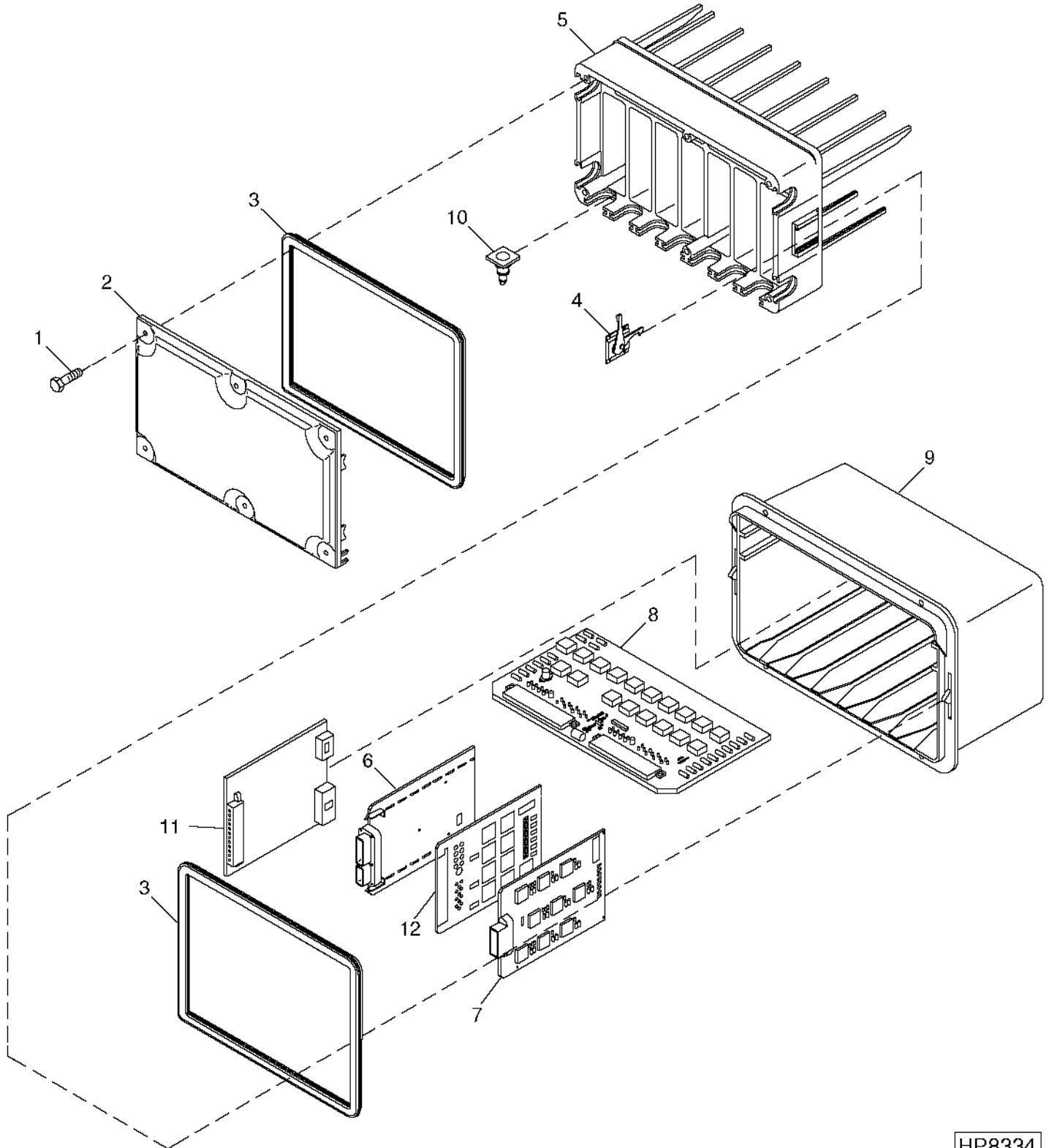
KEY	PART NO.	PART NAME	QTY	SERIAL NO.	REMARKS
1	H130637	CLAMP	7	X X	
2	H133645	REINFORCEMENT	1	X X	
3	AH121475	SENSOR	1	X X	FULL BIN
4	H133824	BRACKET	1	X X	LEVEL SENSOR
5	19M7775	SCREW	4	X X	M6 X 16
	14M7303	FLANGE NUT	4	X X	M6
6	RE12363	CONNECTOR	1	X X	(PKG OF 3)
	R78048	TERMINAL NIPPLE	1	X X	(PKG OF 5)
	R78057	SOCKET CONTACT	1	X X	(PKG OF 40)
7	H76064	CLIP	9	X X	
8	R78053	PIN CONTACT CONNECTOR BODY	1	X X	(PKG OF 3)
	R78063	TERMINAL NIPPLE	1	X X	(PKG OF 40)
	R78058	PIN CONTACT	1	X X	(PKG OF 40)
9	R44302	TIE BAND	7	X X	
10	AH128986	WIRING HARNESS	1	X X	FULL BIN SENSOR
11	H164536	BRACKET	1	X X	LEVEL SENSOR
12	T32231	CLAMP	1	X X	
13	AH117301	CLAMP	2	X X	
14	37M7058	SCREW	2	X X	M8 X 20
..	BH78464	COMPLETE GOODS/SHIP. BUNDLE	1	X X	GRAIN TANK LEVEL MONITOR

MEMORANDA

1G20

ELECTRICAL

CENTRAL ELECTRONICS MODULE AND CIRCUIT BOARDS
HP8334 -UN-31MAR99



HP8334

1G21

ELECTRICAL

CENTRAL ELECTRONICS MODULE AND CIRCUIT BOARDS - CONTINUED

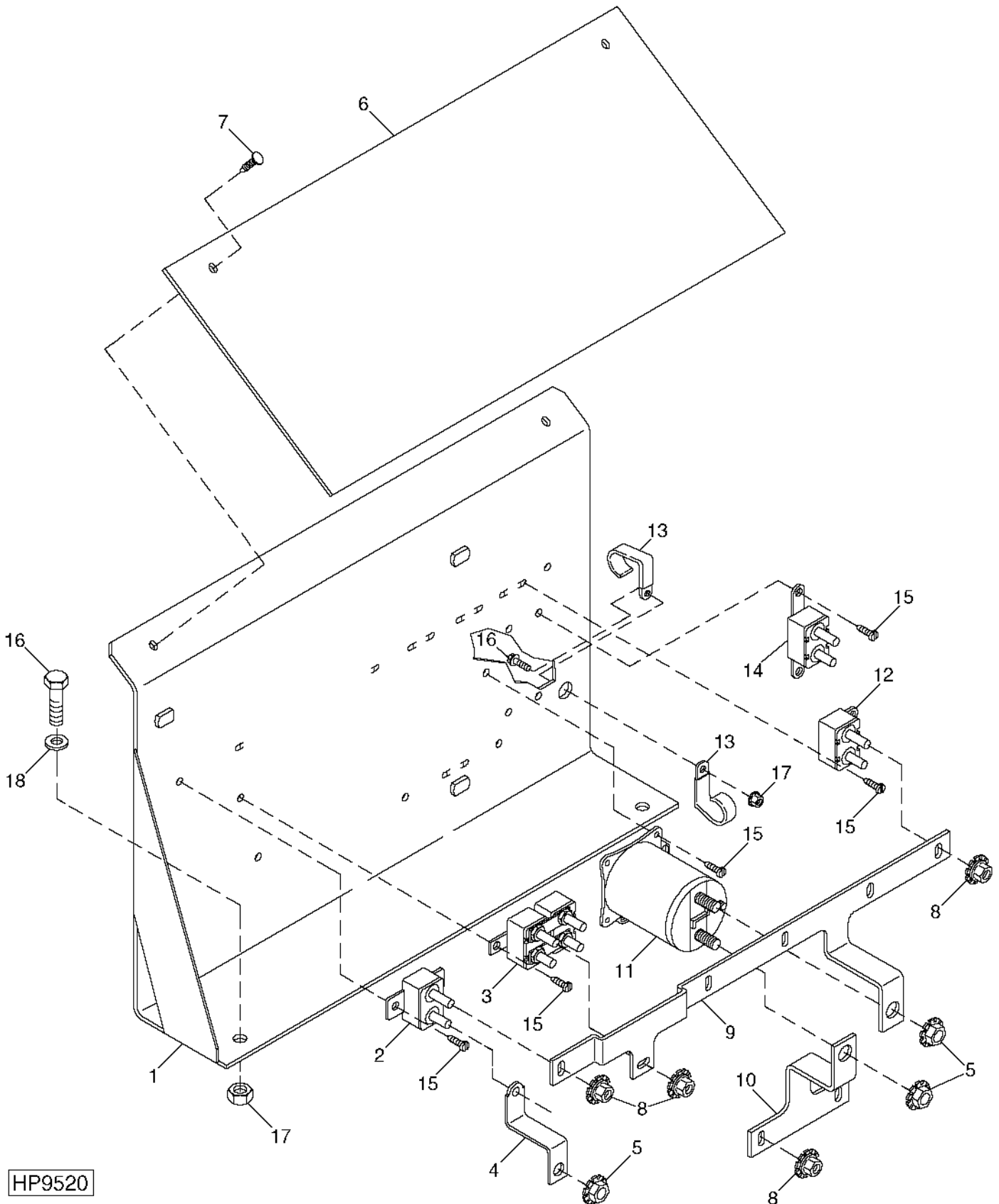
KEY	PART NO.	PART NAME	QTY	SERIAL NO.	0 H	REMARKS
					9	
					5	
					9 5	
					5 0	
					5 S	
					0 H	
1	19M7862	SCREW	6		X X	M6 X 20
2	H142168	COVER	2		X X	
3	H144242	SEAL	2		X X	
4	AH115943	LATCH	2		X X	
5	H142167	COVER	1		X X	
6	AH166125	ELECTRONIC CONTROL UNIT	1		X X	(SUB FOR RE160421) (SUB AH167769) AUTO HEADER (WITHOUT LATERAL TILT)
	AH167769	ELECTRONIC CONTROL UNIT	1		X X	ACTIVE HEADER WITHOUT LATERAL TILT
	AH166126	ELECTRONIC CONTROL UNIT	1		X	(SUB AH167770) (SUB FOR RE160416) AUTO HEADER WITH LATERAL TILT
	AH167770	ELECTRONIC CONTROL UNIT	1		X	AUTO HEADER WITH LATERAL TILT
	AH166124	ELECTRONIC CONTROL UNIT	1		X X	(SUB FOR RE160425) (SUB AH167768) RETURN TO CUT ONLY
	AH167768	ELECTRONIC CONTROL UNIT	1		X X	RETURN TO CUT ONLY
7	AH161474	CIRCUIT BOARD	1		X X	(SUB AH168939) RELAY
	AH168939	KIT	1		X X	
8	AH157232	CIRCUIT BOARD	1		X X	POWER
	AH148758	RELAY	13		X X	
	57M7120	FUSE	8		X X	20 AMP
	57M7146	FUSE	10		X X	30 AMP
9	H124205	BOX	1		X X	
10	H142169	BOOT	6		X X	
11	AH145964	CIRCUIT BOARD	1		X X	DASH, REEL SPEED
12	AH167108	KIT	1		X X	OPTIONAL POWER

1G22

ELECTRICAL

CIRCUIT BREAKER AND RELAY PANEL

HP9520 -UN-28JAN00



HP9520

1G23

ELECTRICAL

CIRCUIT BREAKER AND RELAY PANEL - CONTINUED

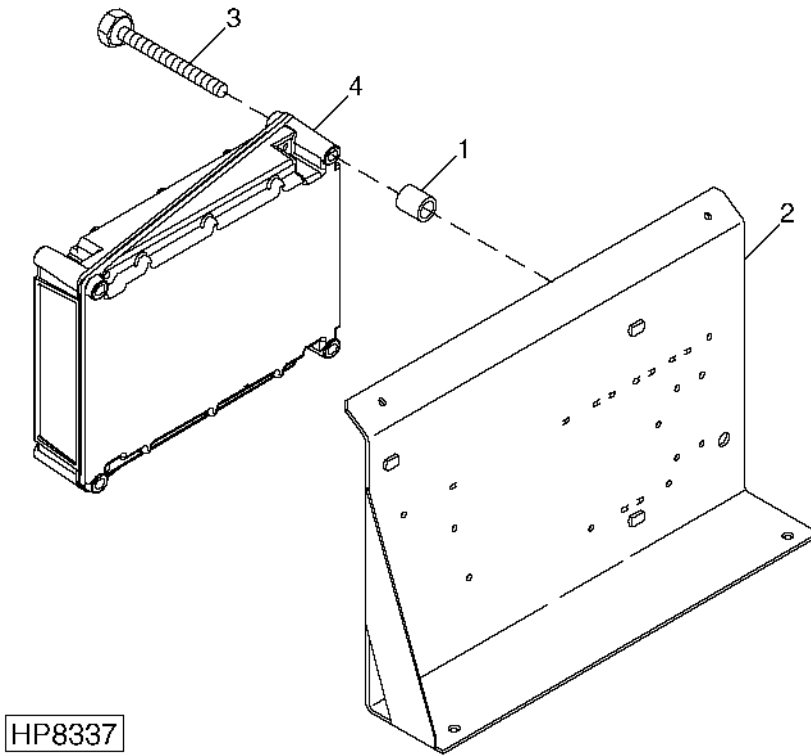
KEY	PART NO.	PART NAME	QTY	SERIAL NO.	0 H	REMARKS
					9	
					5	
					9 5	
					5 0	
					5 S	
					0 H	
1	AH160291	PANEL	1		X X	
2	AH112189	CIRCUIT BREAKER	5		X X	50 AMP
3	AH159105	CIRCUIT BREAKER	1		X X	DUAL 50 AMP
4	H125347	STRAP	2		X X	
5	H164872	NUT	4		X X	7.925 MM
6	H162132	FLAP	1		X X	RUBBER
7	H116740	PLUG	2		X X	
8	R32176	NUT	10		X X	
9	H166499	STRAP	1		X X	
10	H165411	STRAP	1		X X	
11	AH160278	RELAY	3		X X	
12	AH160628	CIRCUIT BREAKER	2		X X	30 AMP
13	AH90990	CLIP	2		X X	
14	AH159110	CIRCUIT BREAKER	1		X X	10 AMP
15	37H147	SCREW	AR		X X	(.3750" X .1900")
16	19M7865	SCREW	3		X X	M8 X 16
17	14M7298	FLANGE NUT	3		X X	M8
18	H158845	WASHER	2		X X	

1G24

ELECTRICAL

ELECTRONIC CONTROL UNIT (ECU) MOUNTING SUPPORT

HP8337 -UN-15JUL99



HP8337

KEY	PART NO.	PART NAME	QTY	SERIAL NO.	REMARKS
1	28H1882	SPACER	4		
2	AH160291	PANEL	1		
3	19M7721	CAP SCREW	4		
4	RE503232	ENGINE CONTROLLER	1		(MARKED RE502404)
	RE503233	ENGINE CONTROLLER	1		(MARKED RE502404)
..	H116160	SEALANT	1		3 OZ. TUBE

9
5
9 5
5 0
5 S
0 H

MEMORANDA

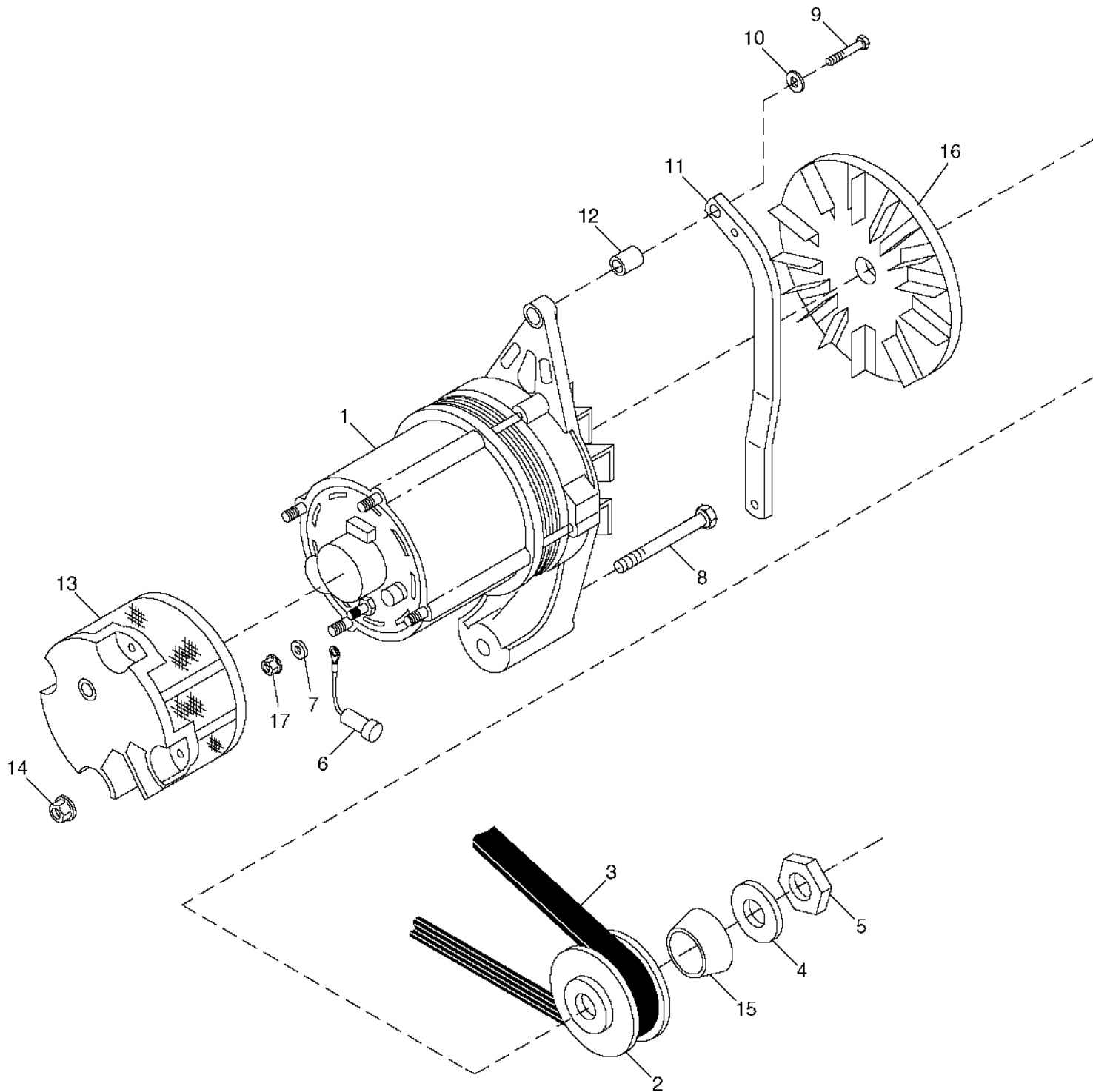
1H1

ELECTRICAL

ALTERNATOR, SHEAVE AND BELT

BOSCH (95 AMP)

HP8336 -UN-29JUL99



HP8336

1H2

ELECTRICAL

**ALTERNATOR, SHEAVE AND BELT - CONTINUED
BOSCH (95 AMP)**

KEY	PART NO.	PART NAME	QTY	SERIAL NO.	REMARKS
					9 5 9 5 5 0 5 S 0 H
1	TY24485	ALTERNATOR	1	X X	(SUB FOR TY6750) REMANUFACTURED
2	R94350	SHEAVE	1	X X	
3	H163515	BELT	1	X X	
4	T10745	WASHER	1	X X	
5	14M7158	NUT	1	X X	M16
6	AN220289	WIRING HARNESS	1	X X	(SUB AH169733)
	AH169733	WIRING HARNESS	1	X X	
7	24M7207	WASHER	1	X X	
8	19M7944	SCREW	1	X X	M10 X 120
9	19M7867	SCREW	1	X	M8 X 25
10	24M7047	WASHER	1	X	
11	R500413	STRAP	1	X	ALTERNATOR
12	24M7180	WASHER	1	X	
13	AH138291	SCREEN	1	X X	(USE WITH TY6750)
	AT207952	COVER	1	X X	(USE WITH TY24485)
14	14M7375	FLANGE NUT	4	X X	M5
15	R94351	BUSHING	1	X X	
16	T158584	FAN	1	X X	
17	14M7297	NUT	1	X X	M5
18	AH154383	WIRING HARNESS	1	X X	GROUND

1H3

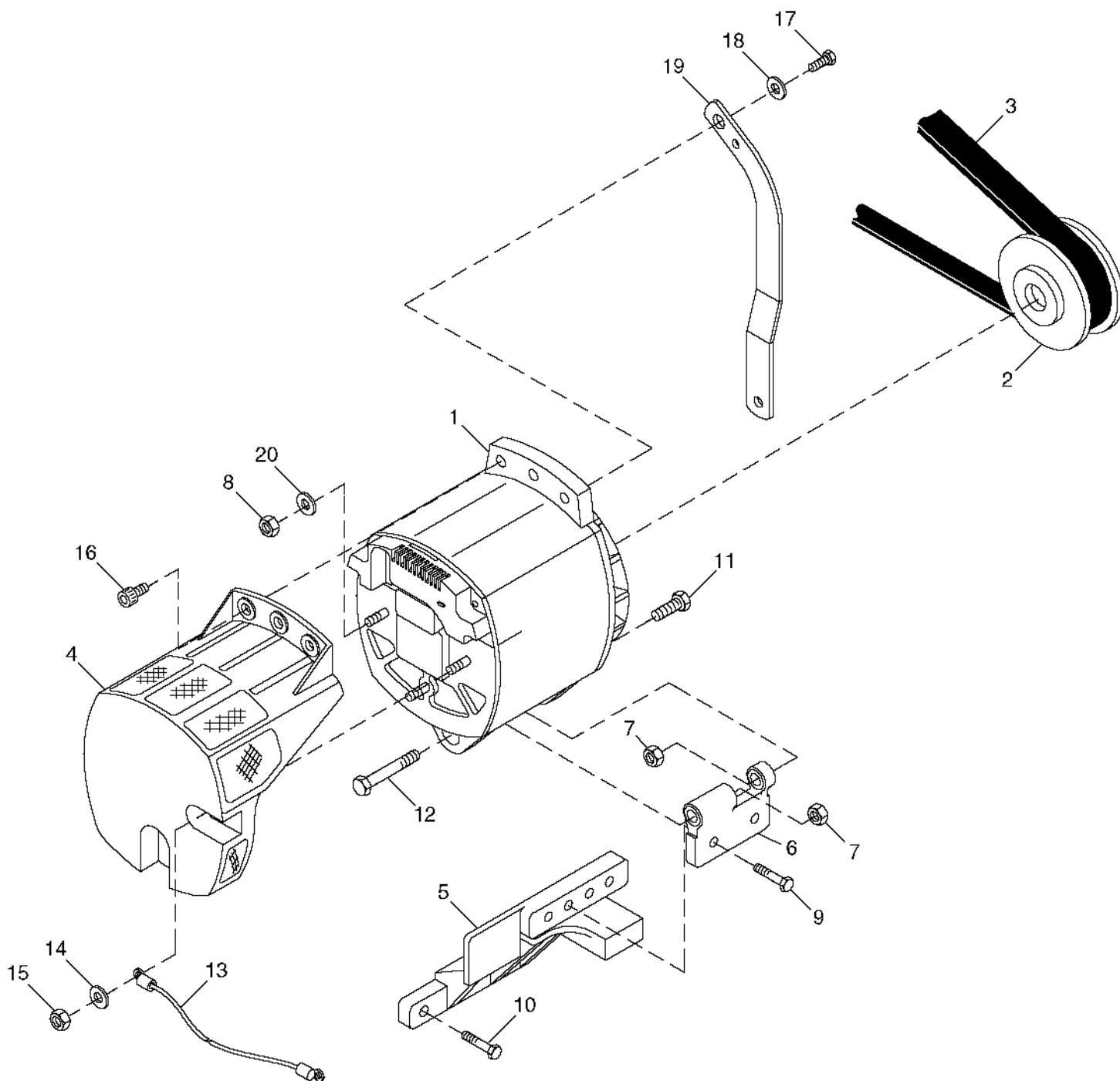
ELECTRICAL

ALTERNATOR, SHEAVE AND BELT

(185 AMP)

HP9547

-UN-07FEB00



HP9547

1H4

ELECTRICAL

**ALTERNATOR, SHEAVE AND BELT - CONTINUED
(185 AMP)**

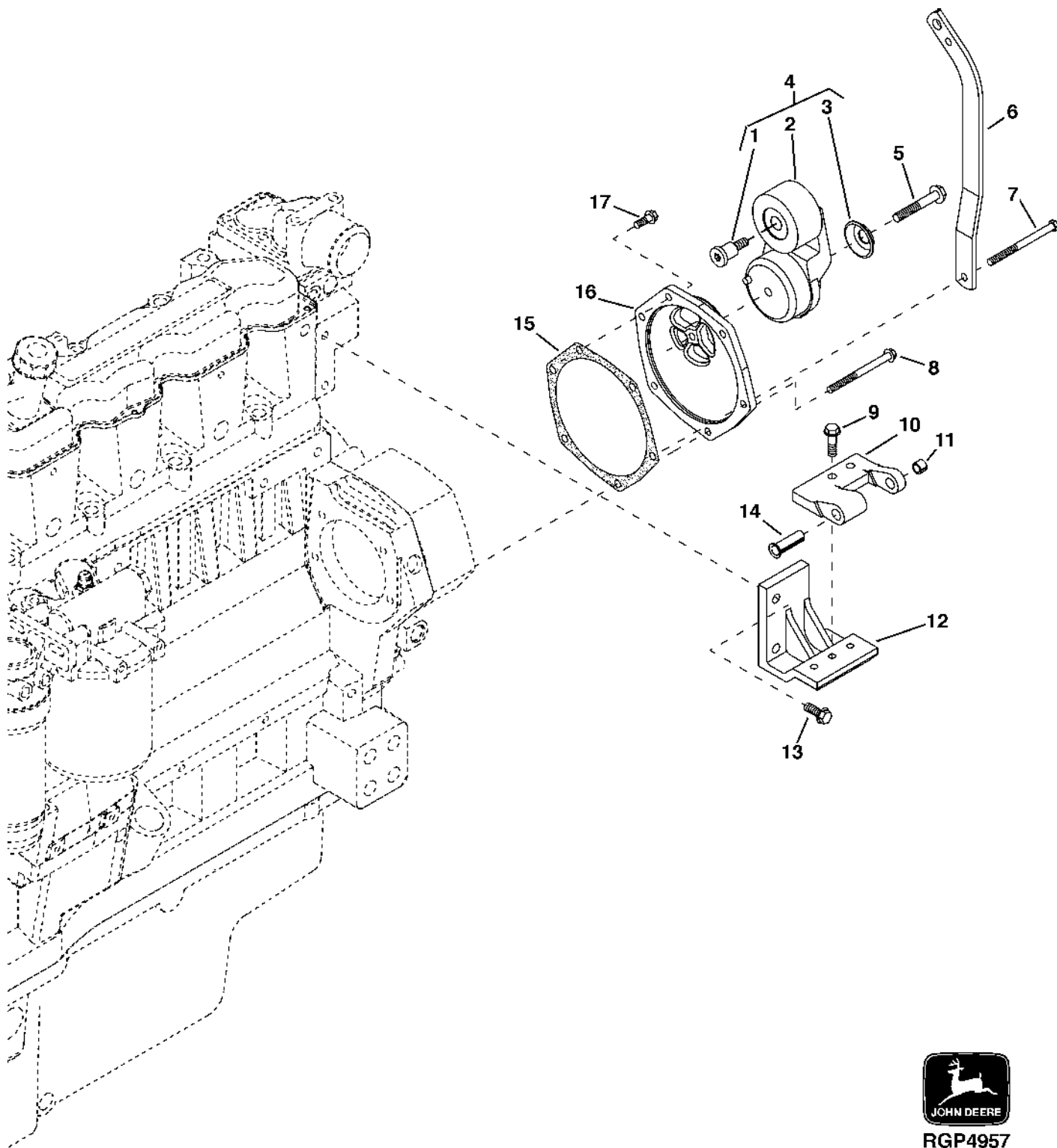
KEY	PART NO.	PART NAME	QTY	SERIAL NO.	REMARKS
					9
					5
					9 5
					5 0
					5 S
					0 H
1	AH148633	ALTERNATOR	1	X X	REMANUFACTURED
2	H166878	PULLEY	1	X X	
3	H166870	BELT	1	X X	
4	AH163488	SCREEN	1	X X	
5	R132981	SUPPORT	1	X X	
6	R502288	BRACKET	1	X X	
7	14H1069	NUT	1	X X	1/2"
8	14H650	NUT	1	X X	5/16"
9	19M7786	SCREW	2	X X	M10 X 30
10	19M7817	SCREW	1	X X	M12 X 70
11	19H3560	CAP SCREW	1	X X	1/2" X 1-1/2"
12	19H3494	CAP SCREW	1	X X	12.700 X 82.550 MM
13	AH154383	WIRING HARNESS	1	X X	
14	12H302	LOCK WASHER	1	X X	1/4"
15	14H860	NUT	1	X X	1/4"
16	19H2934	SCREW	1	X X	1/2" X 3/4"
17	19H2472	CAP SCREW	1	X X	1/2" X 1"
18	24M7047	WASHER	1	X X	13 X 24 X 2.500 MM
19	R500413	STRAP	1	X X	
20	24H1776	WASHER	1	X X	5/16" X 47/64" X 0.065"
..	AH167604	VOLTAGE REGULATOR	1	X X	
..	BH81599	COMPLETE GOODS/SHIP. BUNDLE	1	X X	185 AMP ALTERNATOR CONVERSION

1H5

ELECTRICAL

ALTERNATOR BRACKETS

RGP4957 -UN-22AUG97



1H6

ELECTRICAL

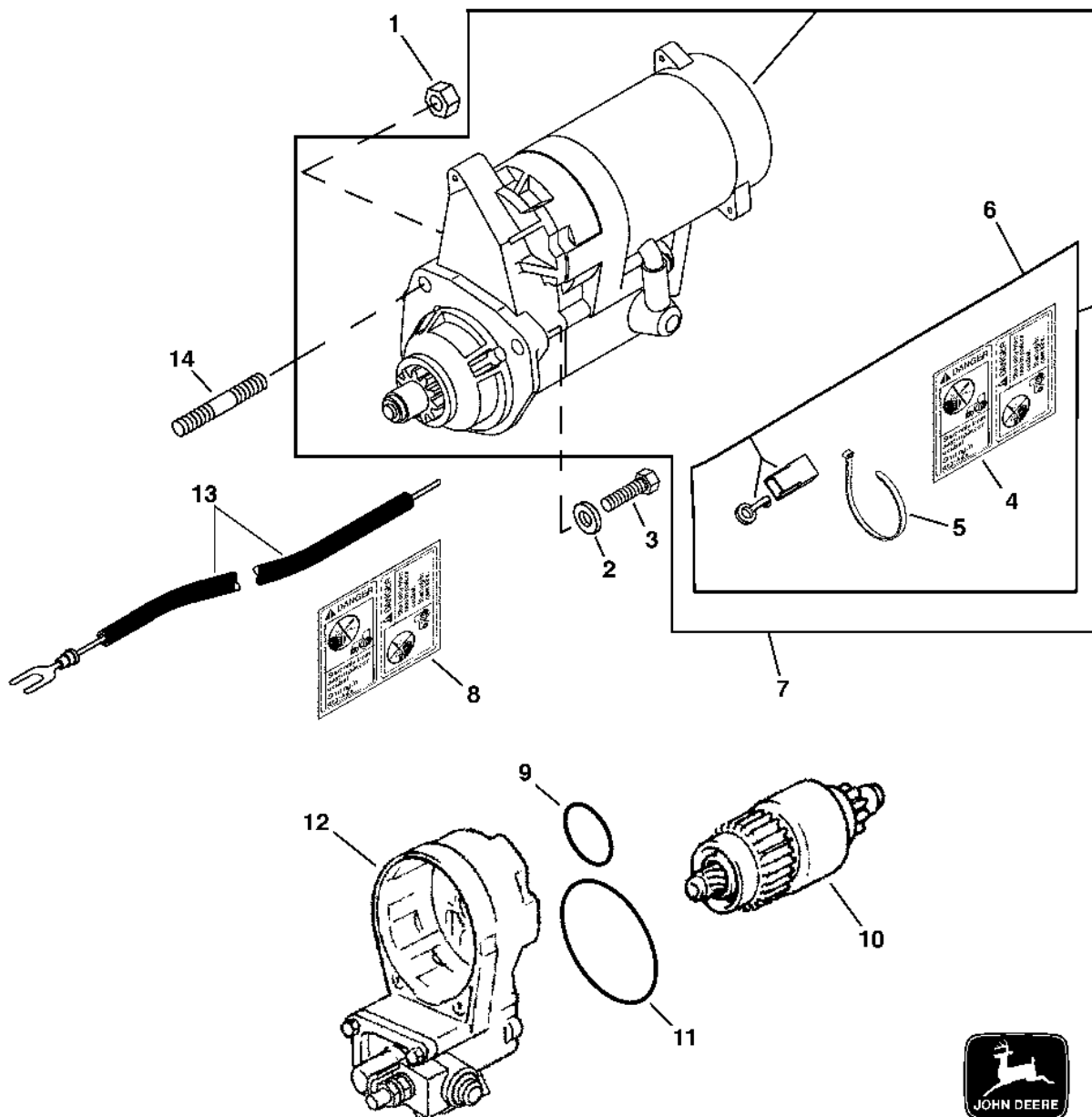
ALTERNATOR BRACKETS - CONTINUED

KEY	PART NO.	PART NAME	QTY	ENGINE SERIAL NO.	9	REMARKS
					5	
					9 5	
					5 0	
					5 S	
					0 H	
1	R98250	BOLT	1		X X	
2	RE68722	PULLEY	1		X X	
3	R114837	DUST SHIELD	1		X X	
4	RE68715	TIGHTENER	1		X X	
5	19M7810	SCREW	1		X X	M10 X 80
6	R500413	STRAP	1		X X	
7	19H2852	CAP SCREW	1		X X	5/16" X 4"
8	19H3300	CAP SCREW	4		X X	
	24H1136	WASHER	1		X X	
9	19H3693	CAP SCREW	1		X X	3/8" X 1-1/4"
10	R131003	BRACKET	1		X X	
11	R135423	BUSHING	1		X X	
12	R131002	SUPPORT	1		X X	
13	19H3771	CAP SCREW	2		X X	3/8" X 1"
14	R134010	BUSHING	1		X X	
15	R502011	GASKET	1		X X	
16	R131890	COVER	1		X X	
17	R112268	CAP SCREW	1		X X	

1H7

ELECTRICAL

STARTING MOTOR (12-VOLT) RGP4871 -UN-14MAR97



RGP4871

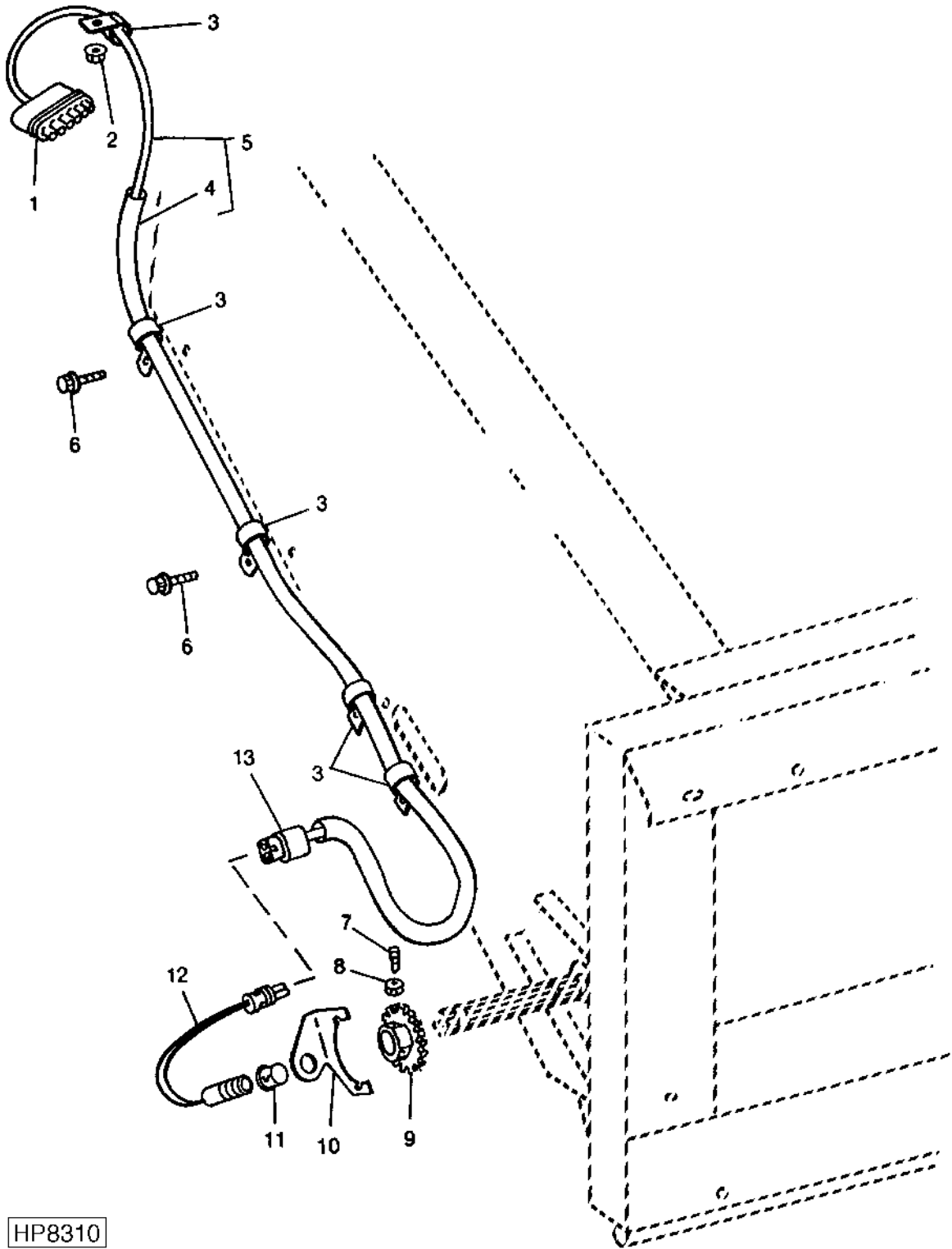
1H8

ELECTRICAL

STARTING MOTOR (12-VOLT) - CONTINUED

KEY	PART NO.	PART NAME	QTY	ENGINE SERIAL NO.	9	REMARKS
					5	
					9 5	
					5 0	
					5 S	
					0 H	
1	E55662	FLANGE NUT	1		X X	
2	24H1303	WASHER	2		X X	13/32" X 11/16" X 0.065"
3	19H3219	CAP SCREW	2		X X	3/8" X 1-3/8"
4	T146102	LABEL	1		X X	(ENGLISH)
5	R96703	TIE BAND	1		X X	
6	RE70756	KIT	1		X X	
7	RE70957	STARTER MOTOR KIT	1		X X	(MARKED RE69704) (D228000-6530)
8	T146517	SAFETY SIGN	1		X X	(SPANISH)
	T146104	SAFETY SIGN	1		X X	(FRENCH)
	T146515	SAFETY SIGN	1		X X	(GERMAN)
	T146516	SAFETY SIGN	1		X X	(ITALIAN)
	T146517	SAFETY SIGN	1		X X	(ENGLISH-FRENCH)
9	R135510	O-RING	1		X X	
10	RE70487	CLUTCH	1		X X	
11	R135509	SEAL	1		X X	
12	RE70486	SWITCH	1		X X	
13	AH155483	WIRING LEAD	1		X X	
14	R114130	STUD	1		X X	

FEEDER HOUSE BACKSHAFT SPEED SENSOR
HP8310 -UN-08MAR99



HP8310

1H10

ELECTRICAL

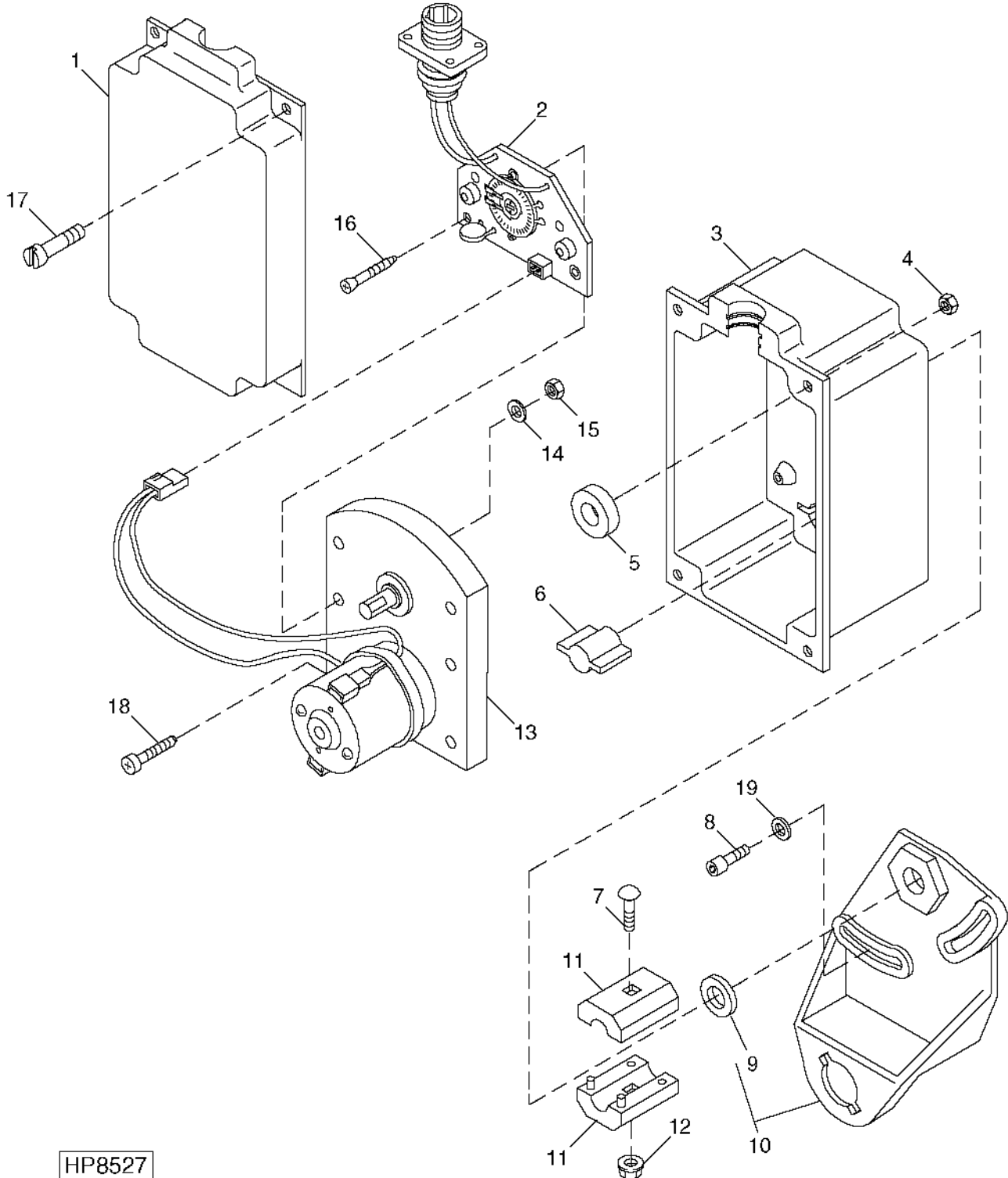
FEEDER HOUSE BACKSHAFT SPEED SENSOR - CONTINUED

KEY	PART NO.	PART NAME	QTY	SERIAL NO.	9 5 9 5 5 0 5 S 0 H	REMARKS
1	RE12366	CONNECTOR	1		X X	(PKG OF 2)
	R78051	SEAL	1		X X	(PKG OF 5)
	R78060	SOCKET CONTACT	1		X X	(PKG OF 40)
2	14M7299	FLANGE NUT	1		X X	M12
3	AH77279	CLIP	5		X X	
4	H132800	HOSE	1		X X	
5	AH165250	WIRING HARNESS	1		X X	LEVEL LAND
	AH162464	WIRING HARNESS	1		X	CONTOUR MASTER
6	37M7083	SCREW	2		X X	M8 X 12
7	A50743	BOLT	2		X X	M6 X 16
8	14M7272	NUT	2		X X	M6
9	H170634	WHEEL	1		X X	
10	H135773	BRACKET	1		X X	
11	H160880	CLIP	1		X X	
12	AH116104	SENSOR	1		X X	BACKSHAFT SPEED
13	R78053	PIN CONTACT CONNECTOR BODY	1		X X	(PKG OF 3)
	R78063	TERMINAL NIPPLE	1		X X	(PKG OF 40)

1H11

ELECTRICAL

REEL SPEED MOTOR AND BRACKET HP8527 -UN-27APR99



HP8527

1H12

ELECTRICAL

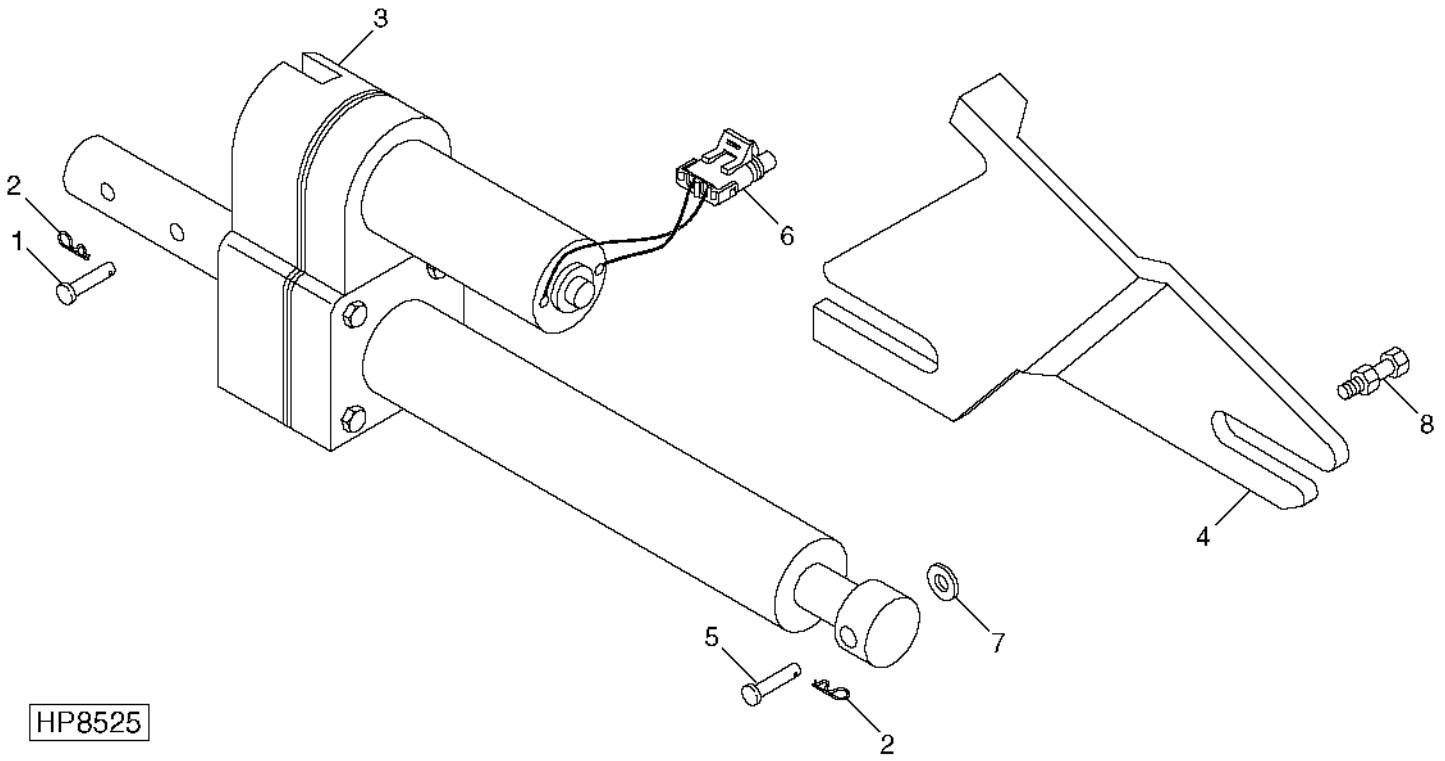
REEL SPEED MOTOR AND BRACKET - CONTINUED

KEY	PART NO.	PART NAME	QTY	SERIAL NO.	0 H	REMARKS
					9	
					5	
					9 5	
					5 0	
					5 S	
					0 H	
1	H133852	HOUSING	1		X X	UPPER
2	AH139987	PRINTED CIRCUIT	1		X X	
3	H133851	HOUSING	1		X X	LOWER
4	14M7100	NUT	4		X X	M4
5	WASHER	1		X X	FELT
6	H133981	SEAL	1		X X	
7	03M7290	BOLT	1		X X	M6 X 30
8	19H2925	SCREW	2		X X	1/4" X 1/2"
9	H146950	WASHER	1		X X	9.500 X 19 X 1.600 MM, FELT
10	AH141813	KIT	1		X X	ALIGNMENT BRACKET
11	H114020	HALF CLAMP	2		X X	
12	14M7397	LOCK NUT	1		X X	M6
13	AH128865	ELECTRIC MOTOR	1		X X	
14	12H314	LOCK WASHER	2		X X	0.138"
15	14H1026	NUT	2		X X	0.138"
16	21H1348	SCREW	2		X X	0.138" X 1-1/8"
17	21M7250	SCREW	4		X X	M4 X 12
18	H144032	SCREW	4		X X	
19	24M7027	WASHER	2		X X	5.300 X 10 X 1 MM

1H13

ELECTRICAL

CONCAVE ADJUSTING MOTOR
HP8525 -UN-27JUL99



9
5
9 5
5 0
5 S
0 H

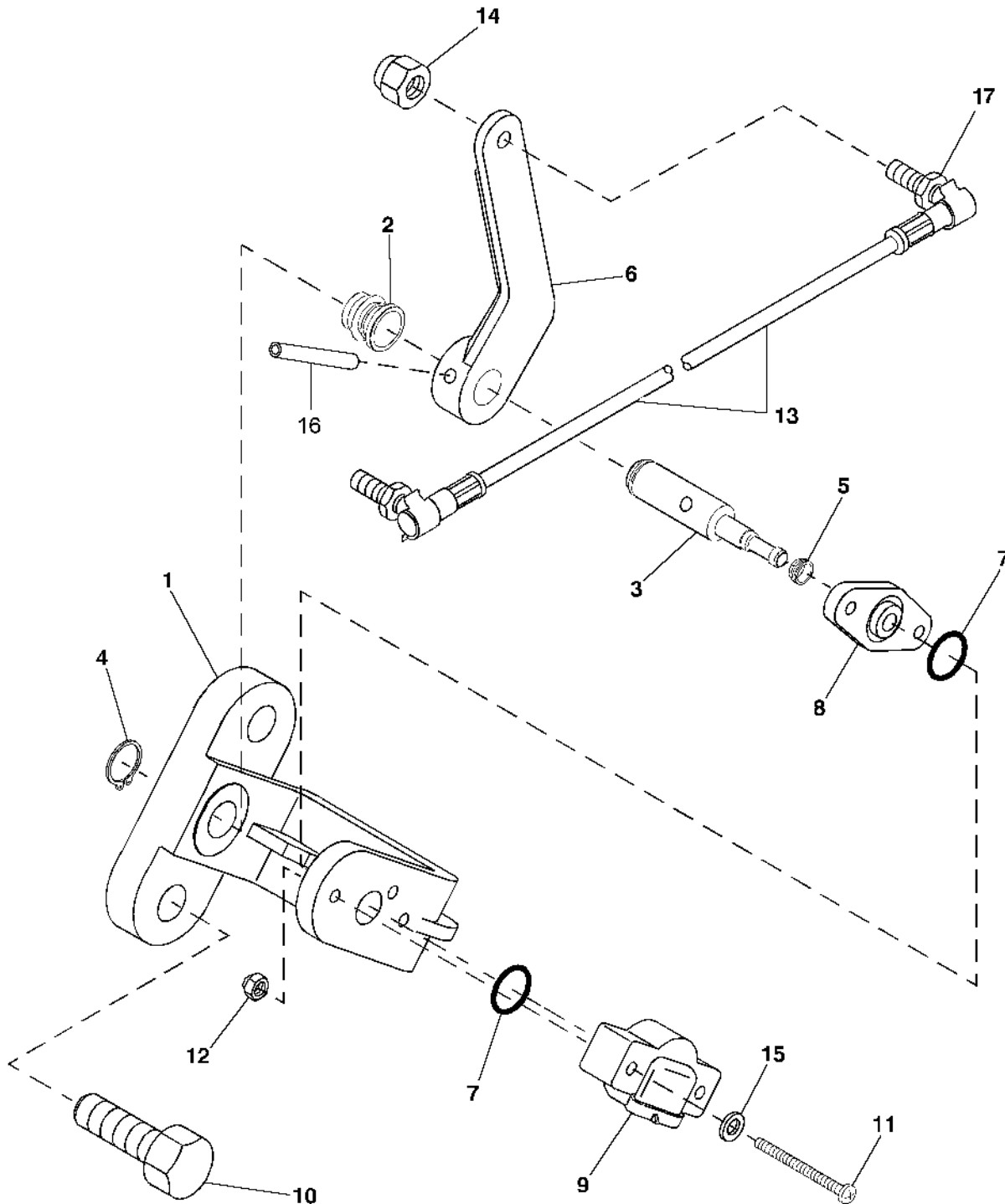
KEY	PART NO.	PART NAME	QTY	SERIAL NO.	REMARKS
1	H148340	PIN	1	X X	12.700 X 60.500 MM
2	B32630	SPRING LOCKING PIN	2	X X	
3	AH160107	ACTUATOR	1	X X	
4	H146730	STOP	1	X X	CASTING
5	H148340	PIN	1	X X	
6	RE12363	CONNECTOR	1	X X	(PKG OF 3)
	R78048	TERMINAL NIPPLE	1	X X	(PKG OF 5)
	R78060	SOCKET CONTACT	1	X X	(PKG OF 40)
7	24H1654	WASHER	1	X X	9/16" X 1-15/32" X 0.105"
8	19M7812	SCREW	2	X X	M10 X 100

MEMORANDA

1H14

ELECTRICAL

CONCAVE INDICATOR
HP8003 -UN-21APR99



HP8003

1H15

ELECTRICAL

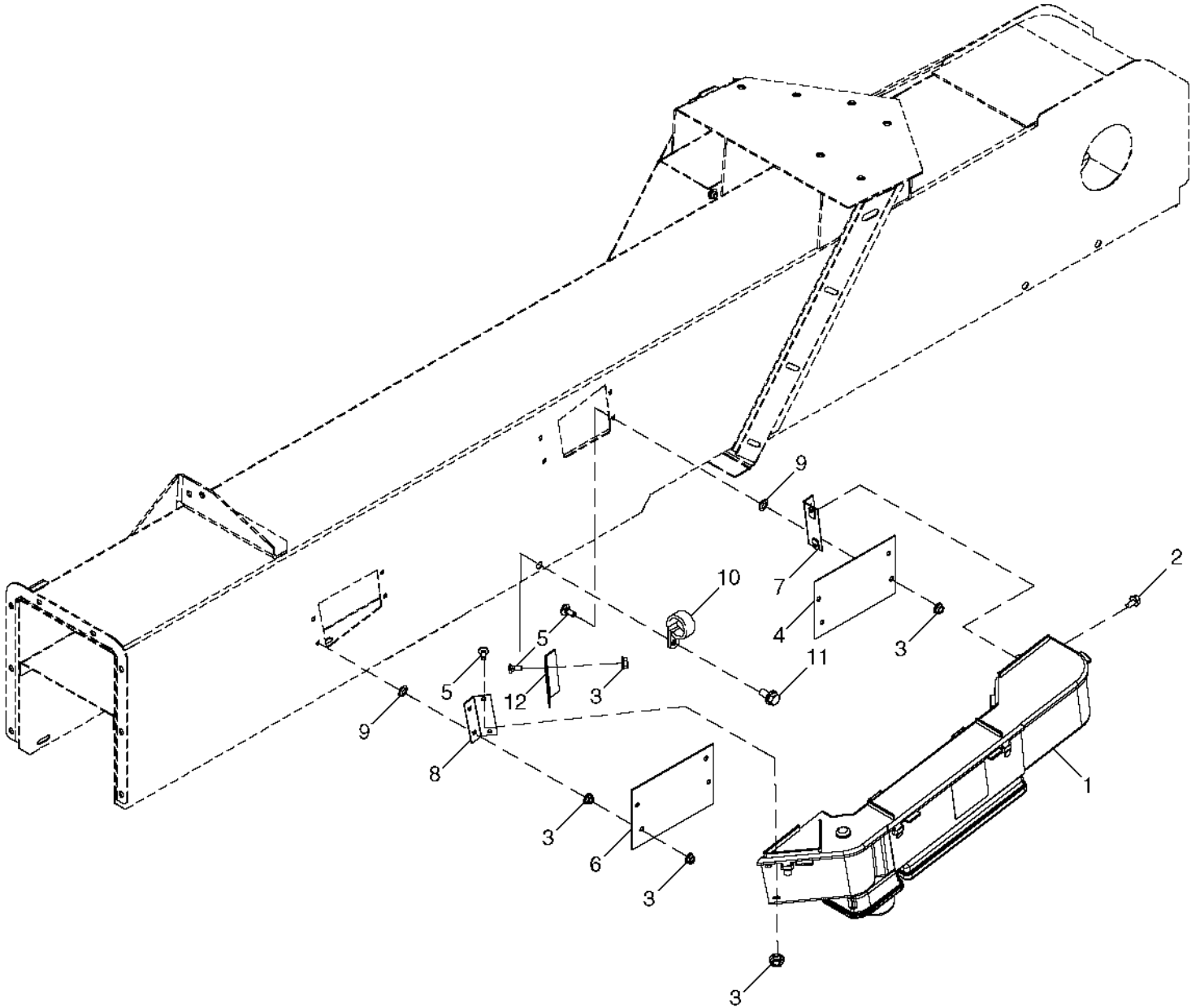
CONCAVE INDICATOR - CONTINUED

KEY	PART NO.	PART NAME	QTY	SERIAL NO.	0 H	REMARKS
					9	
					5	
					9 5	
					5 0	
					5 S	
					0 H	
1	H156936	BRACKET	1		X X	
2	R41076	GROMMET	1		X X	
3	R111692	SHAFT	1		X X	
4	R26871	SNAP RING	1		X X	
5	R112679	SEAL	1		X X	
6	R40915	LEVER	1		X X	
7	P48347	O-RING	2		X X	
8	R86457	SUPPORT	1		X X	
9	RE56165	SENSOR	1		X X	
10	37M7084	SCREW	2		X X	M8 X 25
11	21M7261	SCREW	2		X X	M5 X 45
12	14M7297	NUT	2		X X	
13	AH150499	BALL JOINT	1		X X	SPIKE TOOTH, LONG LINK (AS SHOWN)
	AH150498	BALL JOINT	1		X X	CORN AND SMALL GRAIN, SHORT LINK
	AH160510	LINKAGE	1		X X	(INCLUDES H168732) REGULAR CONCAVE
14	14M7397	LOCK NUT	1		X X	M6
15	12M7060	WASHER	2		X X	5.300 MM
16	34H305	SPRING PIN	1		X X	
17	H168732	BALL STUD	2		X X	

1H16

ELECTRICAL

MOISTURE SENSOR
HP8339 -UN-10MAR99



HP8339

1H17

ELECTRICAL

MOISTURE SENSOR - CONTINUED

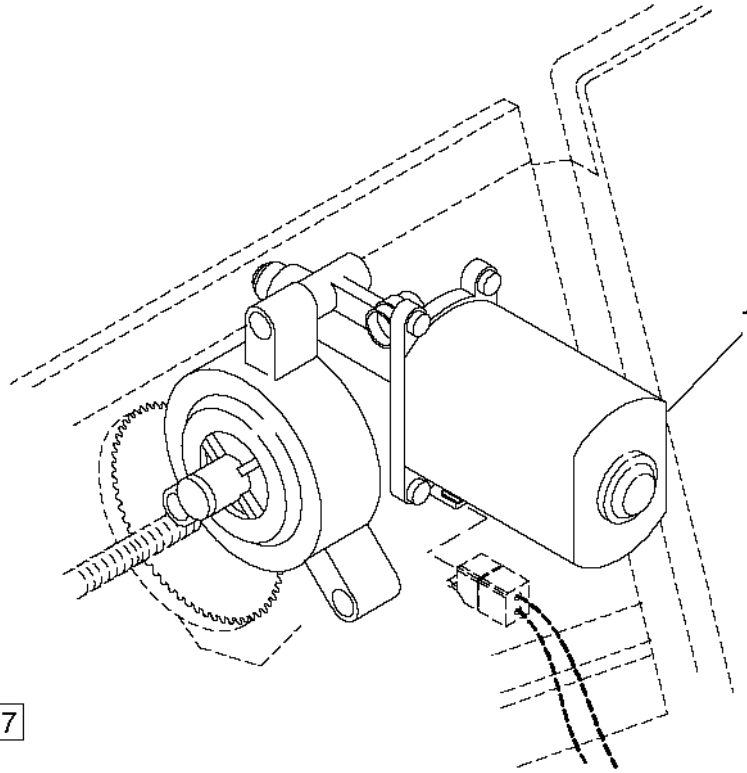
KEY	PART NO.	PART NAME	QTY	SERIAL NO.	9 5 9 5 5 0 5 S 0 H	REMARKS
1	PF80152	MOISTURE SENSOR MODULE	1		X X	
2	19M7774	SCREW	2		X X	M6 X 12
3	14M7303	FLANGE NUT	12		X X	M6
4	PF80173	COVER	1		X X	
5	03M7221	BOLT	12		X X	M6 X 16
6	PF80174	COVER	1		X X	
7	PF80022	BRACKET	1		X X	
8	PF10106	BRACKET	1		X X	
9	M80082	NUT	1		X X	
10	AH96317	CLIP	1		X X	
11	19M7865	SCREW	1		X X	
12	PF10218	BRACKET	1		X X	
..	AH163684	WIRING HARNESS	1		X X	

1H18

ELECTRICAL

SEPARATOR FAN DRIVE ADJUSTING MOTOR

HP9407 -UN-04JAN00



HP9407

9
5
9
5
5
0
5
S
0
H

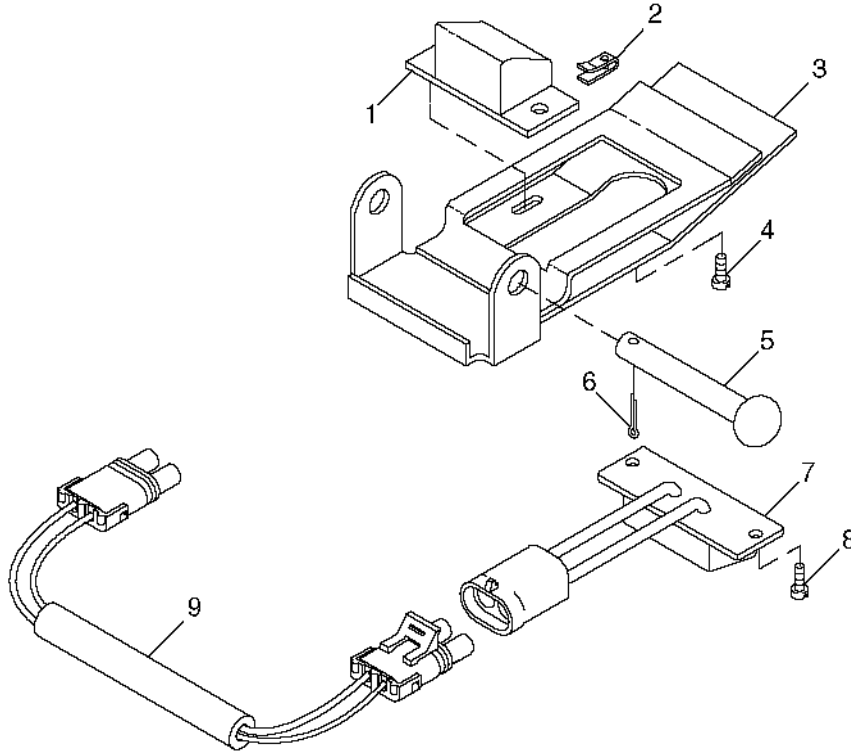
KEY	PART NO.	PART NAME	QTY	SERIAL NO.	REMARKS
1	AH143903	ELECTRIC MOTOR	1	X X	(USE WITH AH143904, 19M8321 AND 14M7165)

1H19

ELECTRICAL

STRAW WALKER (PLUGGING) SENSING SWITCH

HP8313 -UN-10MAR99



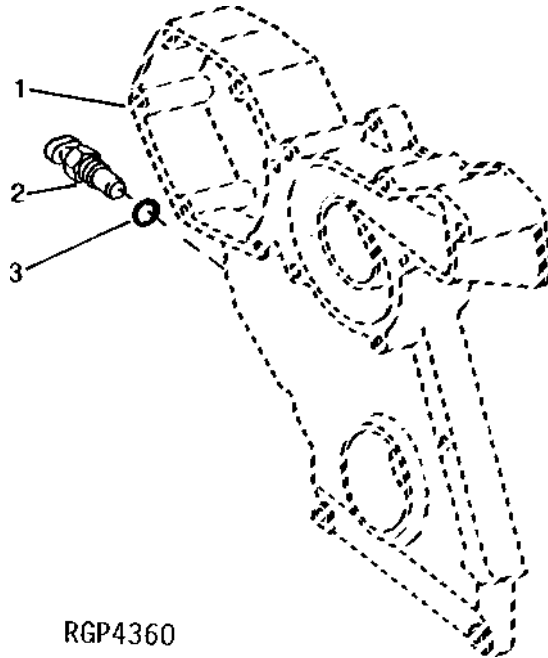
HP8313

KEY	PART NO.	PART NAME	QTY	SERIAL NO.	REMARKS
				9	
				5	
				9 5	
				5 0	
				5 S	
				0 H	
1	AH150473	ACTUATOR	1	X X	
2	H140628	NUT	2	X X	4.826 MM
3	AH134524	ARM	1	X X	
4	37M7071	SCREW	2	X X	
5	45M7035	PIN	1	X X	10 X 90 MM
6	11M7012	COTTER PIN	1	X X	3.200 X 16 MM
7	AH130602	REED SWITCH	1	X X	
8	37M7215	SCREW	2	X X	
9	AH125036	WIRING HARNESS	1	X X	

1H20

ELECTRICAL

MAGNETIC PICK-UP
RGP4360 -UN-01JAN94



RGP4360

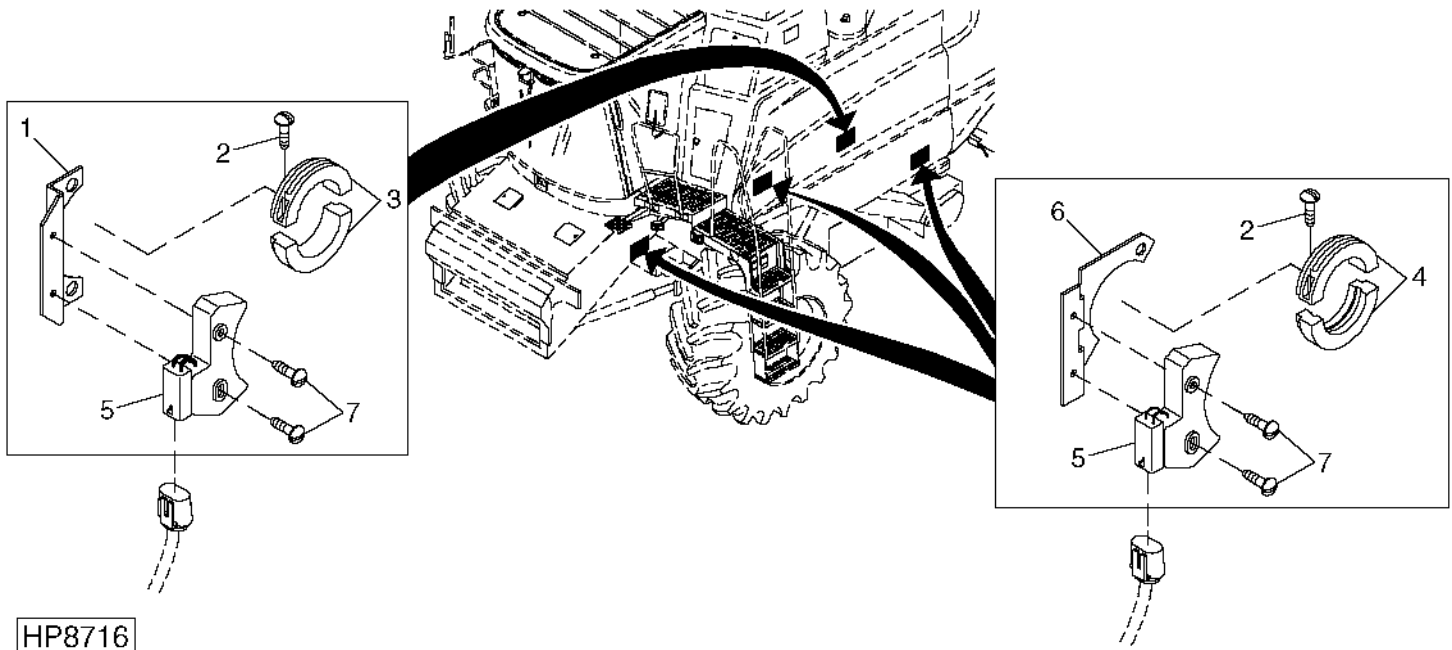
KEY	PART NO.	PART NAME	QTY	ENGINE SERIAL NO.	REMARKS
1	COVER	1	9 5 9 5 5 5 0 H	
2	RE71121	SENSOR	1	X X	
3	51M7044	O-RING	1	X X	17.300 X 2.200 MM

1H21

ELECTRICAL

LOW SHAFT SPEED SENSORS AND BRACKETS

HP8716 -UN-25JUN99



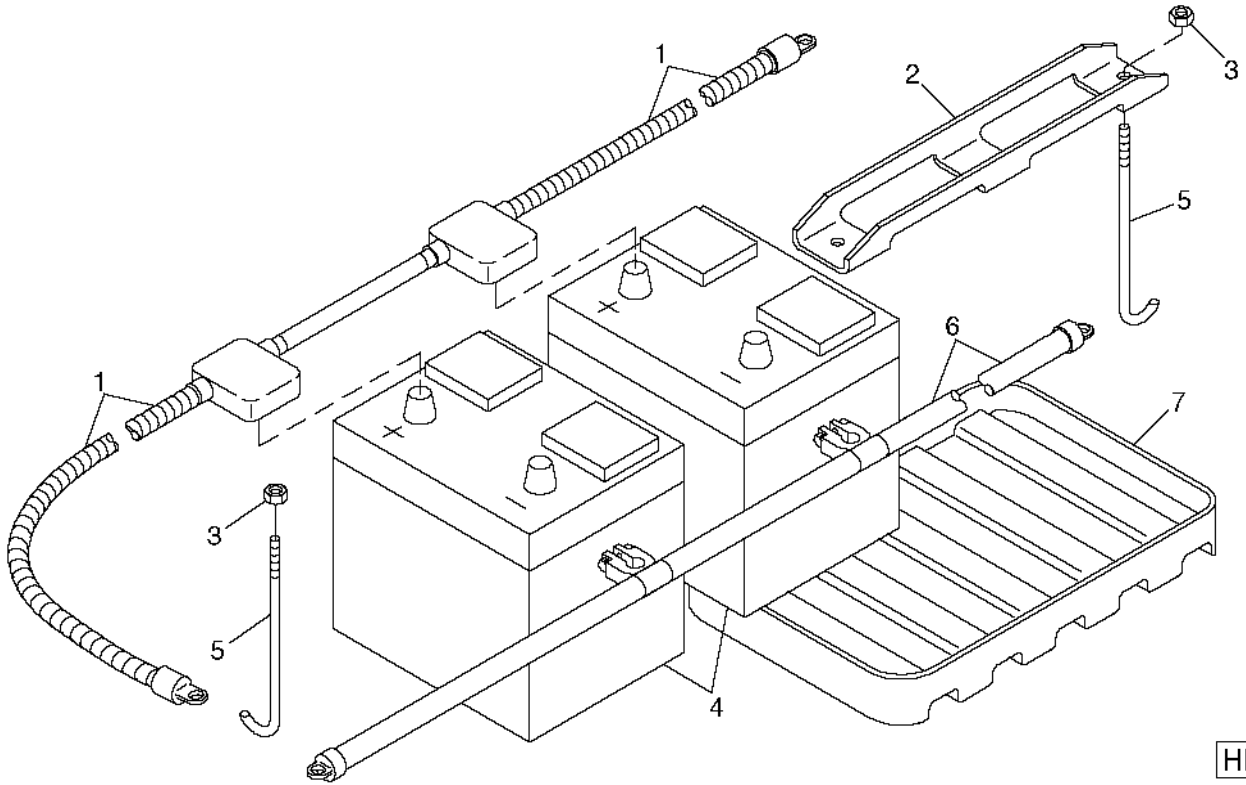
HP8716

KEY	PART NO.	PART NAME	QTY	SERIAL NO.	REMARKS
				9	
				5	
				9	
				5	
				5	
				5	
				0	
				H	
1	H148270	BRACKET	2	X X	
2	H168924	SCREW	AR	X X	
3	AH161839	MAGNET	1	X X	LARGE
4	AH161838	MAGNET	1	X X	LARGE MAGNETIC
5	AH131320	SWITCH	5	X X	
6	H148271	BRACKET	3	X X	
7	37M7077	SCREW	10	X X	4.8 X 32 MM (.1890" X 1.2598")

1H22

ELECTRICAL

BATTERIES AND CABLES
HP8185 -UN-16AUG99



HP8185

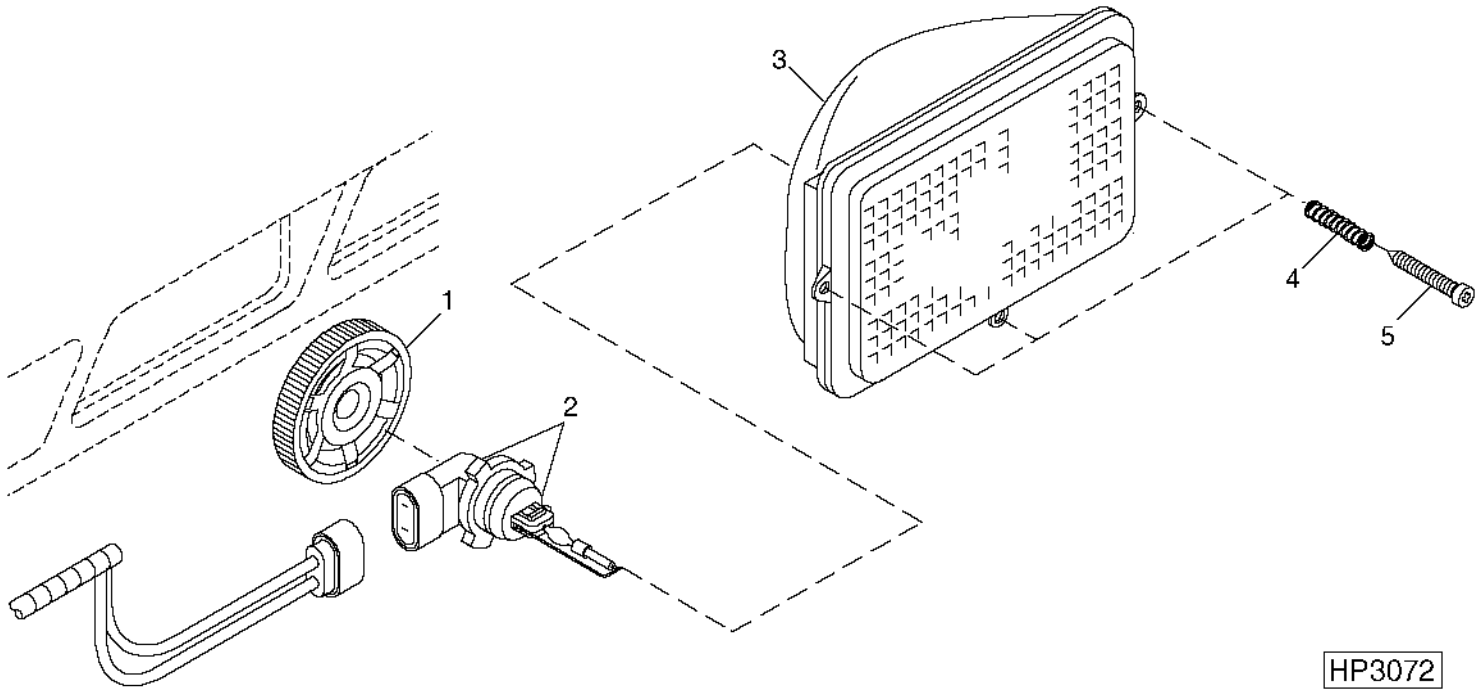
KEY	PART NO.	PART NAME	QTY	SERIAL NO.	REMARKS
1	AH149801	CABLE	1		POSITIVE
2	H134000	CLAMP	1		
3	14M7396	LOCK NUT	2		M8
4	TY21765	BATTERY	2		650 COLD CRANKING AMPS AT 0°F (-18°C), 120-MINUTE RESERVE CAPACITY AT 25 AMPS
5	H158292	HOOK BOLT	2		
6	AH164189	CABLE	1		NEGATIVE
7	H144256	TRAY	2		

9
5
9 5
5 0
5 S
0 H

1H23

ELECTRICAL

CAB ROOF LIGHTS
HP3072 -UN-24AUG99



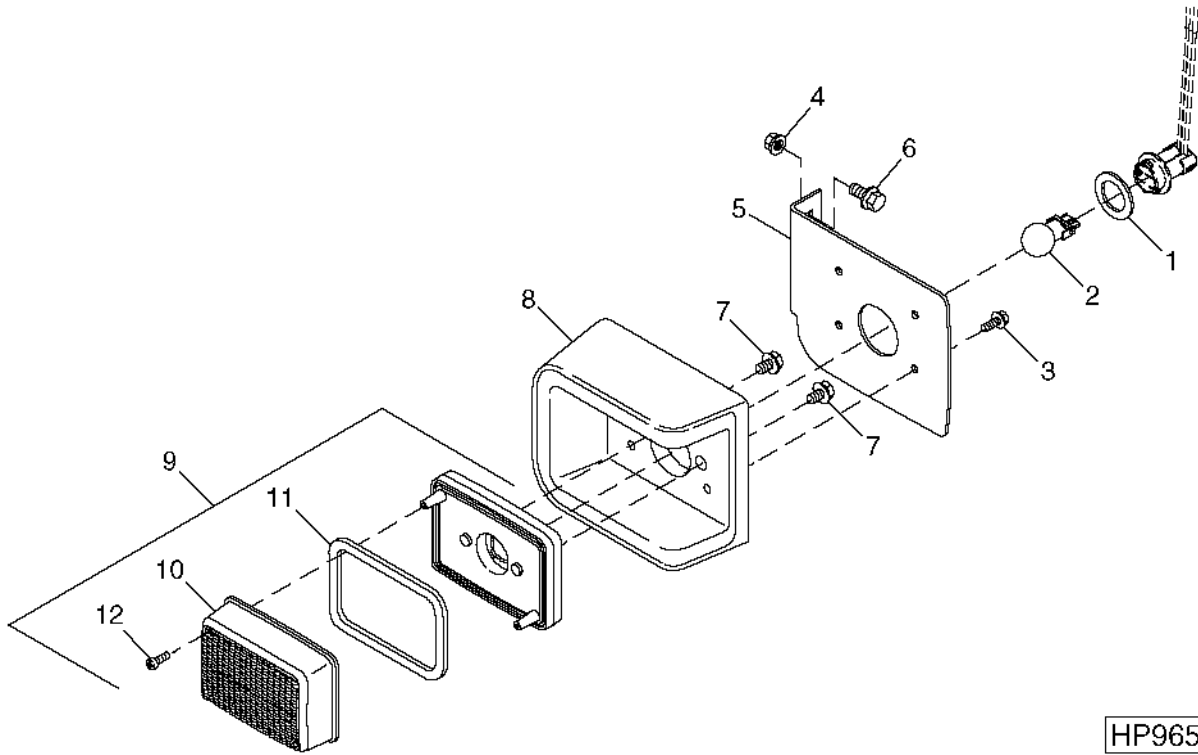
HP3072

KEY	PART NO.	PART NAME	QTY	SERIAL NO.	9 5 9 5 5 0 5 S 0 H	REMARKS
1	H132900	RETAINER	1		X X	
2	AH162232	BULB	1		X X	
3	AH159333	LENS	1		X X	CENTER
	AH159332	LENS	1		X X	OUTSIDE
4	H130299	SPRING	3		X X	
5	H130298	SCREW	3		X X	

1H24

ELECTRICAL

LIGHT (L.H. FRONT)
HP9653 -UN-29MAR00



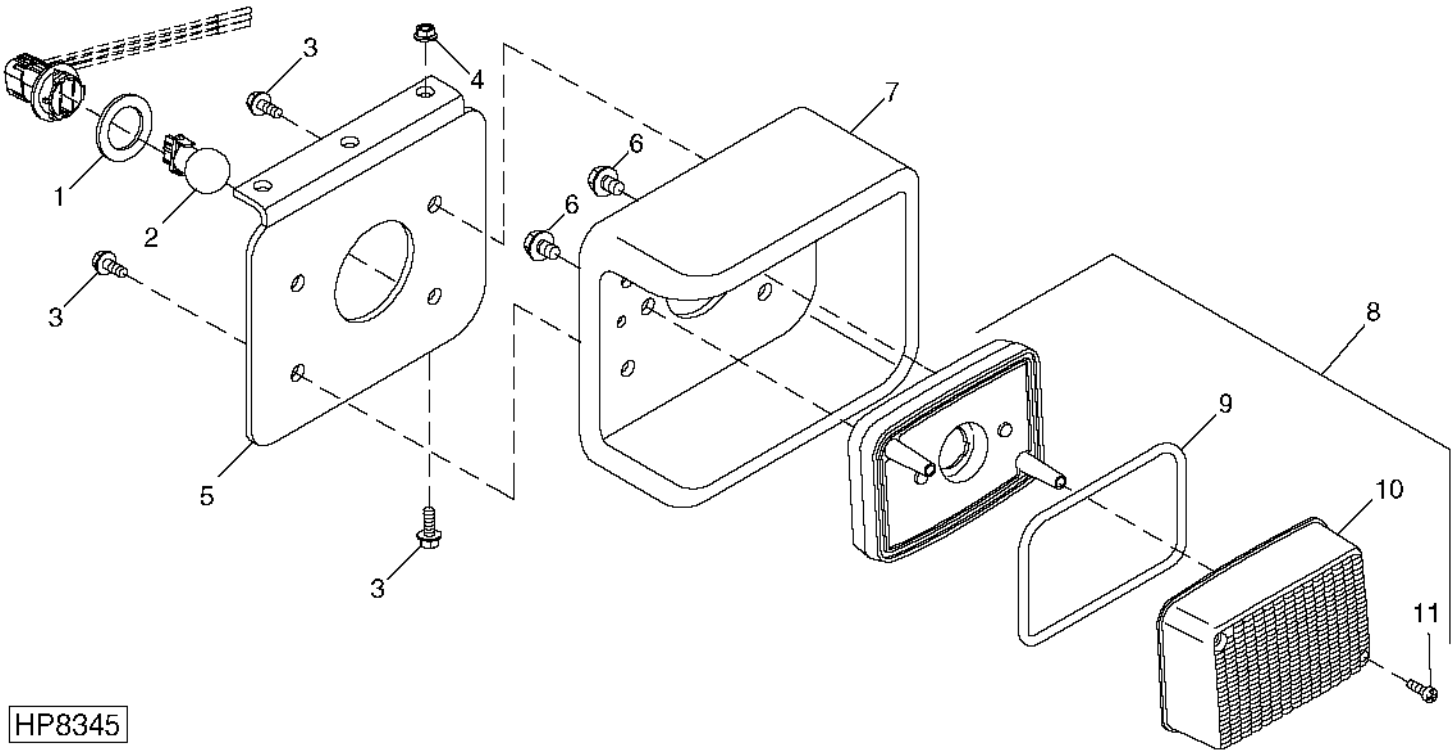
HP9653

KEY	PART NO.	PART NAME	QTY	SERIAL NO.	9 5 9 5 5 0 5 S 0 H	REMARKS
1	H141955	SEAL	1		X X	
2	H133384	BULB	1		X X	
3	19M7775	SCREW	4		X X	M6 X 16
4	14M7296	FLANGE NUT	2		X X	
5	H161128	BRACKET	1		X X	
6	19M7784	SCREW	2		X X	
7	19M7864	SCREW	2		X X	M8 X 12
8	AH154504	HOUSING	1		X X	
9	AA45032	TURN SIGNAL LAMP	1		X X	
10	A63124	LENS	1		X X	AMBER
11	A63127	GASKET	1		X X	
12	A63635	SCREW	2		X X	
..	AH168190	WIRING HARNESS	1		X X	(SUB FOR AH154914) TURN SIGNAL/WARNING LIGHT, L.H.

1H25

ELECTRICAL

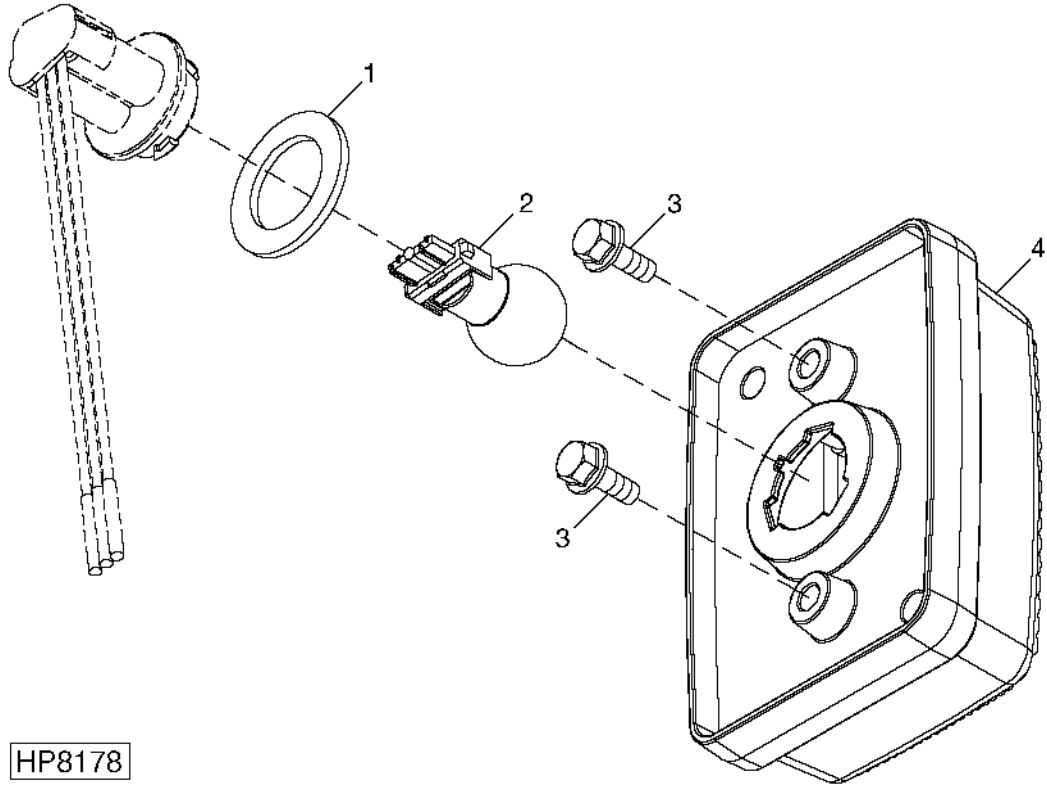
LIGHT (R.H. FRONT)
HP8345 -UN-04JUN99



HP8345

KEY	PART NO.	PART NAME	QTY	SERIAL NO.	9 5 9 5 5 0 5 S 0 H	REMARKS
1	H141955	SEAL	1		X X	
2	H133384	BULB	1		X X	
3	19M7775	SCREW	7		X X	M6 X 16
4	14M7303	FLANGE NUT	3		X X	M6
5	H161130	BRACKET	1		X X	
6	19M7864	SCREW	2		X X	
7	AH154504	HOUSING	1		X X	
8	AA45032	TURN SIGNAL LAMP	1		X X	
9	A63127	GASKET	1		X X	
10	A63124	LENS	1		X X	AMBER
11	A63635	SCREW	2		X X	

REAR LIGHT - AMBER
 HP8178 -UN-20JAN99

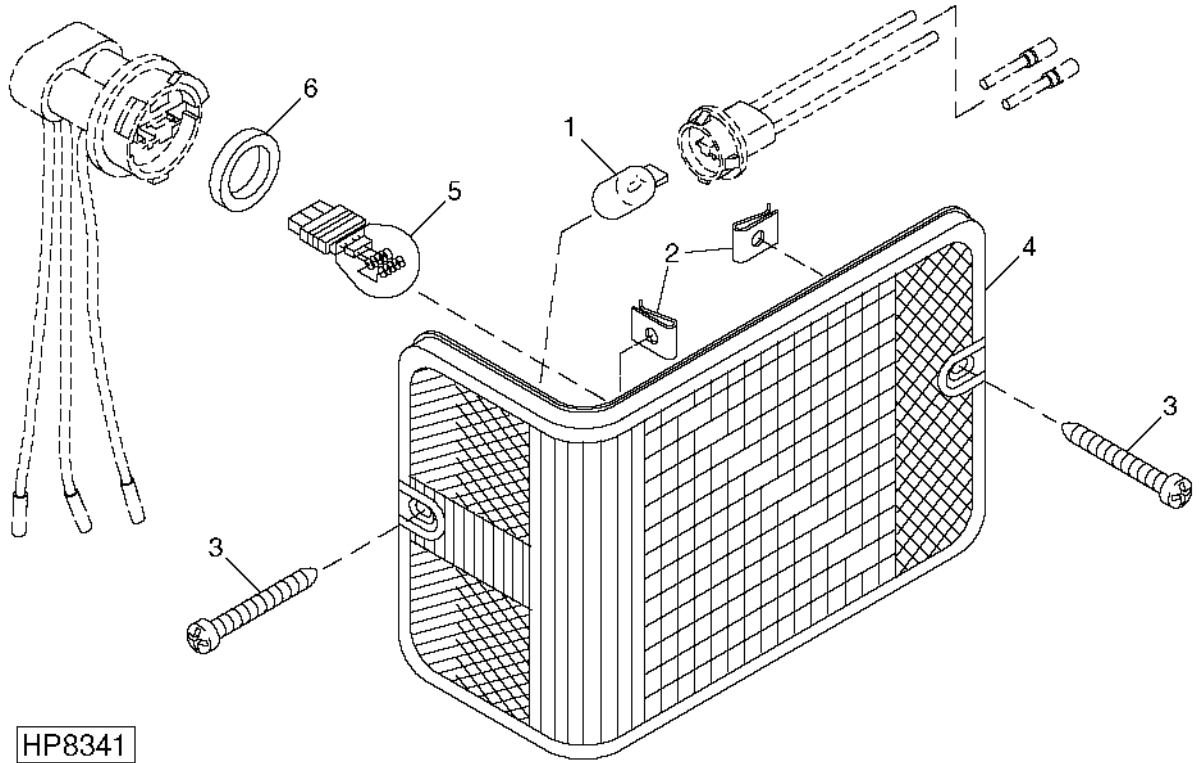


HP8178

9
5
9
5
5
0
5
S
0
H

KEY	PART NO.	PART NAME	QTY	SERIAL NO.	REMARKS
1	H141955	SEAL	1	X X	
2	H133384	BULB	1	X X	
3	19M7775	SCREW	2	X X	M6 X 16
4	AA45032	TURN SIGNAL LAMP	1	X X	

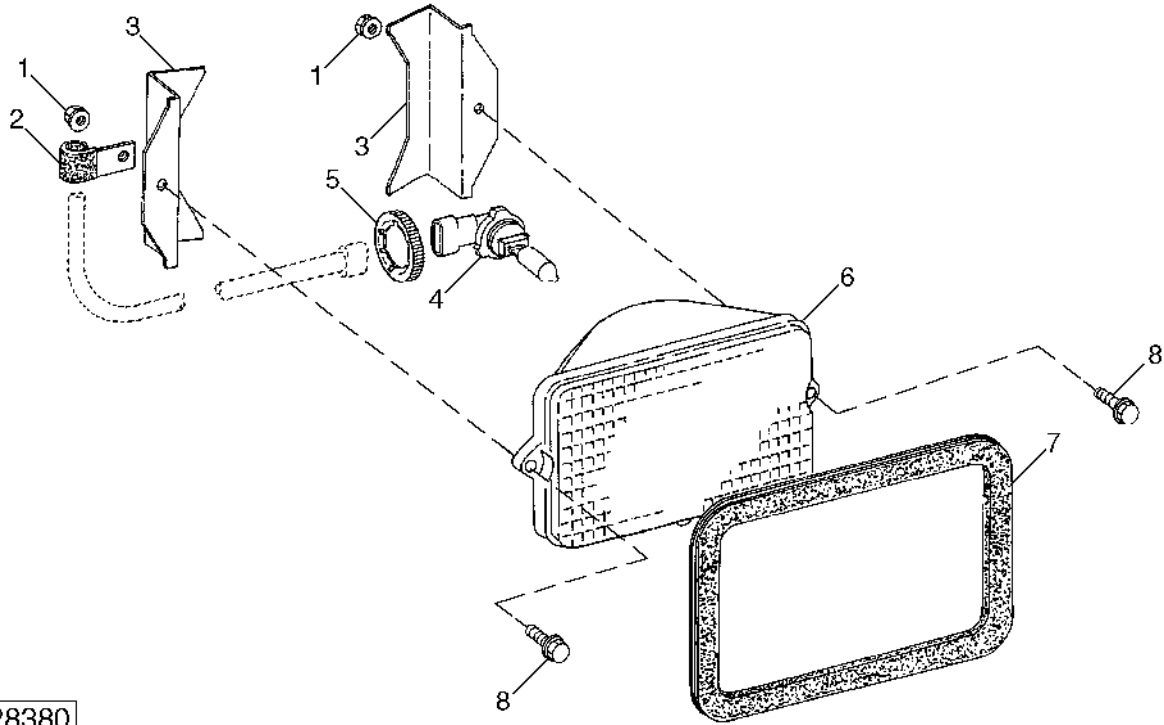
REAR TURN AND TAIL LIGHTS
 HP8341 -UN-10MAR99



HP8341

KEY	PART NO.	PART NAME	QTY	SERIAL NO.	9 5 9 5 5 0 5 S 0 H	REMARKS
1	AR62407	BULB	1		X X	
2	H140628	NUT	2		X X	
3	H140627	SCREW	2		X X	
4	AH123016	LAMP	1		X X	RED, REAR
5	H133384	BULB	2		X X	
6	H141955	SEAL	1		X X	

SIDE FINDER LIGHTS
HP8380 -UN-27JUL99

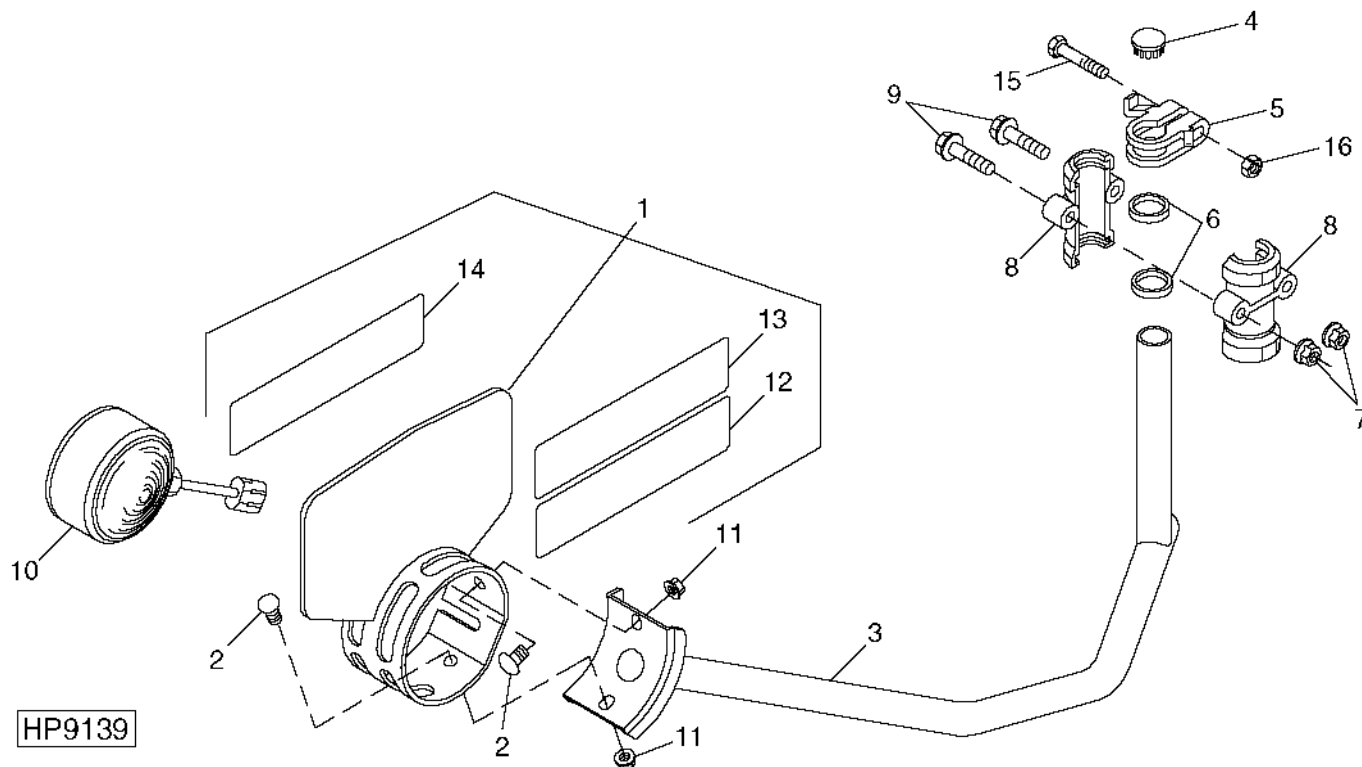


HP8380

KEY	PART NO.	PART NAME	QTY	SERIAL NO.	9 5 9 5 5 0 5 S 0 H	REMARKS
1	14M7303	FLANGE NUT	8		X X	M6
2	AH89557	CLIP	2		X X	
3	H132687	RETAINER	4		X X	
4	AH162231	BULB	2		X X	
5	H132900	RETAINER	2		X X	
6	AH128328	FLOODLAMP	4		X X	
7	H132686	GROMMET	2		X X	SHOE LIGHT
	H165252	GROMMET	2		X X	ROW FINDER LIGHT
8	19M7774	SCREW	4		X X	M6 X 12

TRANSPORT WARNING LIGHTS

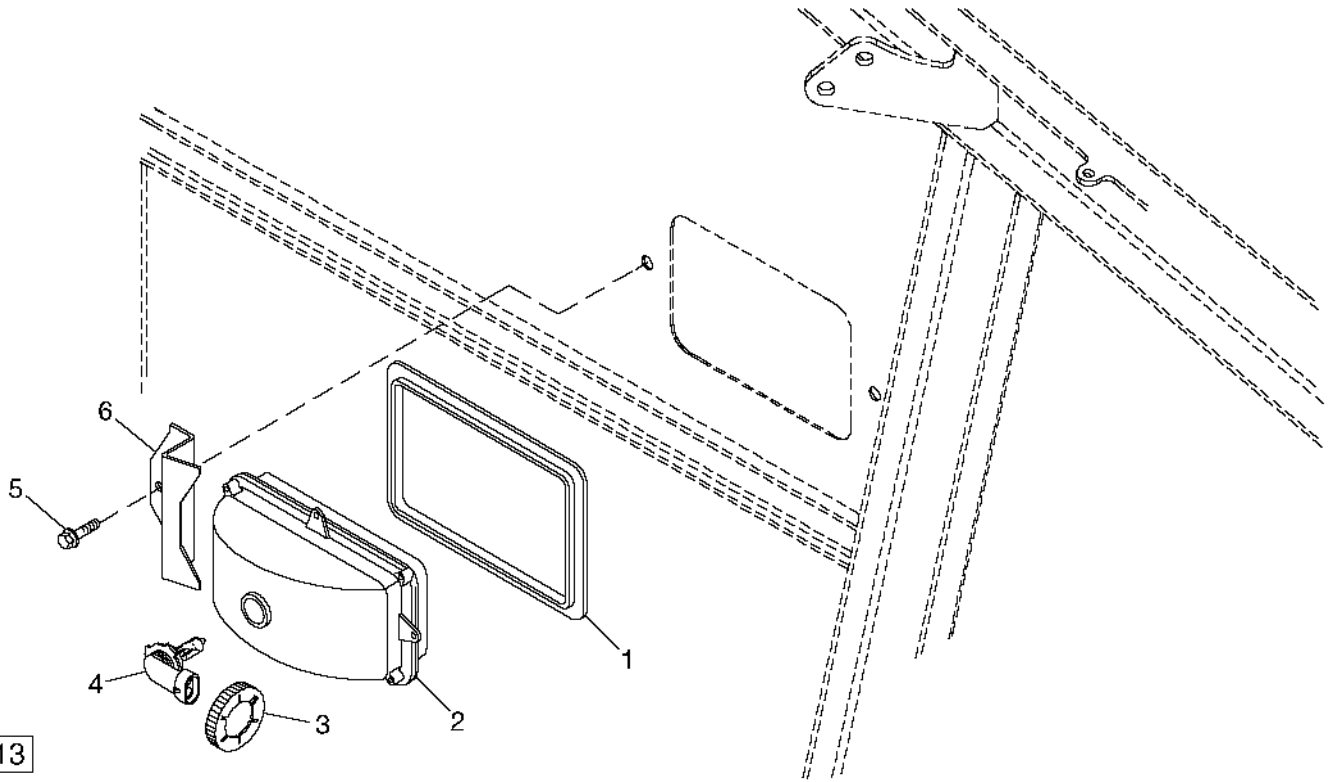
HP9139 -UN-26OCT99



KEY	PART NO.	PART NAME	QTY	SERIAL NO.	REMARKS
1	AH163048	SHIELD	1	X X	L.H., LONG ARM & EXTRA LONG
	AH163049	SHIELD	1	X X	R.H., LONG ARM & EXTRA LONG
	AH163046	SHIELD	1	X	L.H., SHORT ARM
	AH163047	SHIELD	1	X	R.H., SHORT ARM
2	03M7183	BOLT	4	X X	M8 X 16
3	AH166000	TUBE	1	X X	R.H., SHORT
	AH160218	TUBE	1	X X	L.H., SHORT
	AH166001	TUBE	1	X X	R.H., LONG
	AH160219	TUBE	1	X X	L.H., LONG
	AH166002	TUBE	1	X X	R.H., EXTRA LONG (1390)
	AH164049	TUBE	1	X X	L.H., EXTRA LONG (1390)
4	H106000	PLUG	2	X X	
5	H172549	CLAMP	1	X X	L.H.
	AT18904	CLAMP	1	X X	R.H.
6	H136110	ISOLATOR	2	X X	
7	14M7296	FLANGE NUT	4	X X	M10
8	H161618	HOUSING	4	X X	
9	19M7809	SCREW	4	X X	M10 X 70
10	AH164497	LAMP	2	X X	
11	14M7298	FLANGE NUT	4	X X	M8
12	JD5922	REFLECTOR	2	X X	ORANGE
13	JD5920	REFLECTOR	2	X X	RED
14	JD5921	REFLECTOR	2	X X	YELLOW
15	19M7801	SCREW	1	X X	M8 X 60
16	14M7298	FLANGE NUT	1	X X	M8
..	BH81587	COMPLETE GOODS/SHIP. BUNDLE	1	X	(940) SHORT LIGHT ARM CONVERSION
..	BH81586	COMPLETE GOODS/SHIP. BUNDLE	1	X X	(1260) LONG LIGHT ARM CONVERSION

CLEANING SHOE INSPECTION LIGHTS

HP9513 -UN-25JAN00



HP9513

9
5
9 5
5 0
5 S
0 H

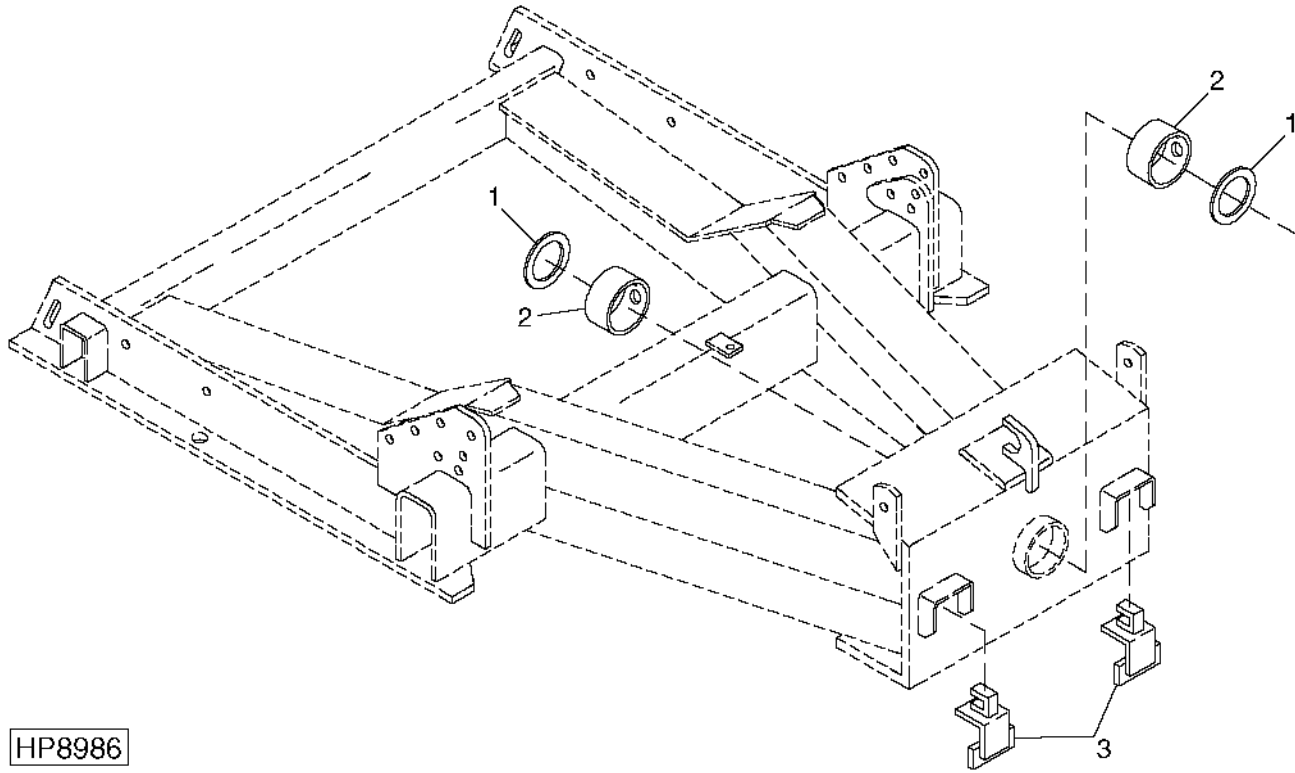
KEY	PART NO.	PART NAME	QTY	SERIAL NO.	REMARKS
1	H165252	GROMMET	1	X X	
2	AH128328	FLOODLAMP	1	X X	
3	H132900	RETAINER	1	X X	
4	AH162231	BULB	1	X X	
5	14M7303	FLANGE NUT	2	X X	M6
6	H132687	RETAINER	2	X X	

NOTE: QUANTITIES SHOWN ARE FOR ONE UNIT. TWO UNITS USED PER MACHINE

2B5

POWER TRAIN

REAR AXLE SUPPORT
HP8986 -UN-02SEP99



HP8986

9
5
9 5
5 0
5 S
0 H

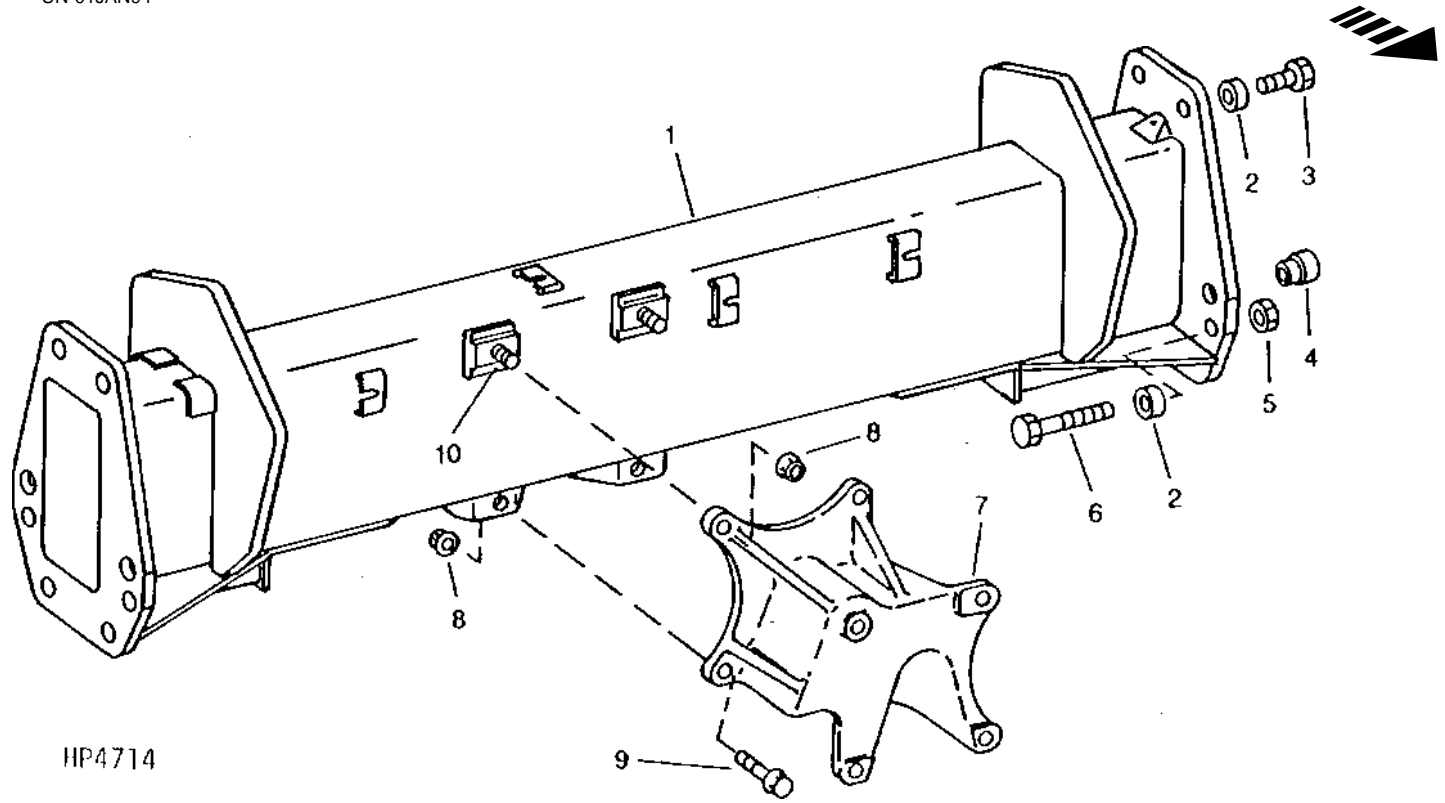
KEY	PART NO.	PART NAME	QTY	SERIAL NO.	REMARKS
1	AH112284	SEAL	2	X	
2	H146281	BUSHING	2	X	(HEAT TREATED)
3	H151739	REINFORCEMENT	2	X	
..	BH81801	COMPLETE GOODS/SHIP. BUNDLE	1	X	AXLE STOP BLOCK

2B6

POWER TRAIN

**FRONT AXLE (SIDEHILL)
(RING AND PINION FINAL DRIVE)**

HP4714 -UN-01JAN94



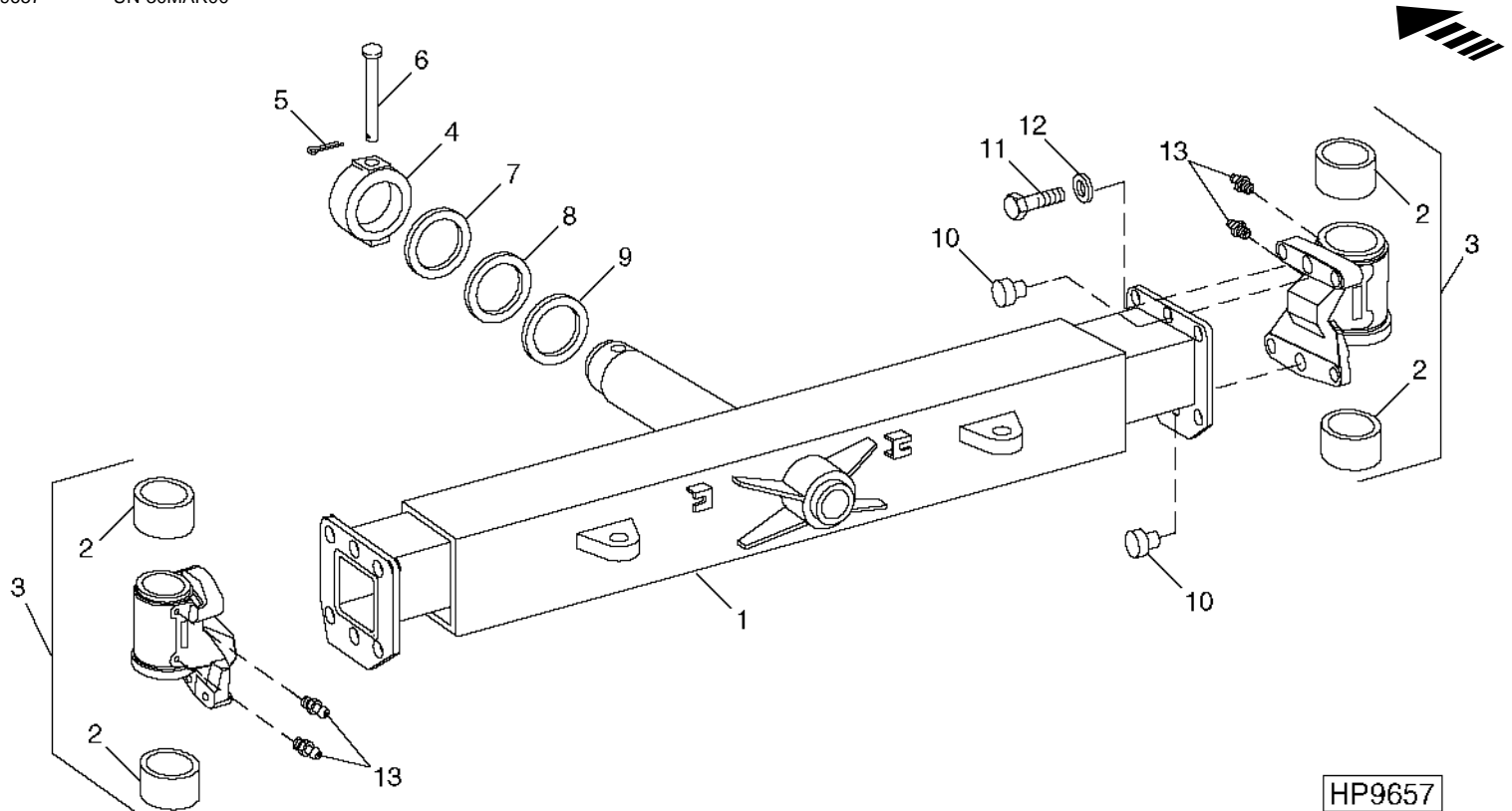
HP4714

9
5
9 5
5 0
5 S
0 H

KEY	PART NO.	PART NAME	QTY	SERIAL NO.	REMARKS
1	FRONT AXLE	1	X	
2	H144168	SPACER	6	X	25.400 X 45 X 20 MM (1" X 1.772" X 0.787")
3	19M8287	CAP SCREW	2	X	M24 X 80
4	H87691	BUSHING	2	X	9.652 X 28.956 X 35.052 MM (0.380" X 1.140" X 1.380")
5	14M7278	NUT	4	X	M24
6	19M7782	CAP SCREW	4	X	M24 X 180
7	H145954	ADAPTER	1	X	
8	14M7291	FLANGE NUT	4	X	M16
9	H107504	BOLT	2	X	M16 X 70
10	42M7028	STUD	2	X	M16

**FIXED REAR AXLE AND SPINDLE HOUSING
(REGULAR DUTY SPINDLE)**

HP9657 -UN-30MAR00



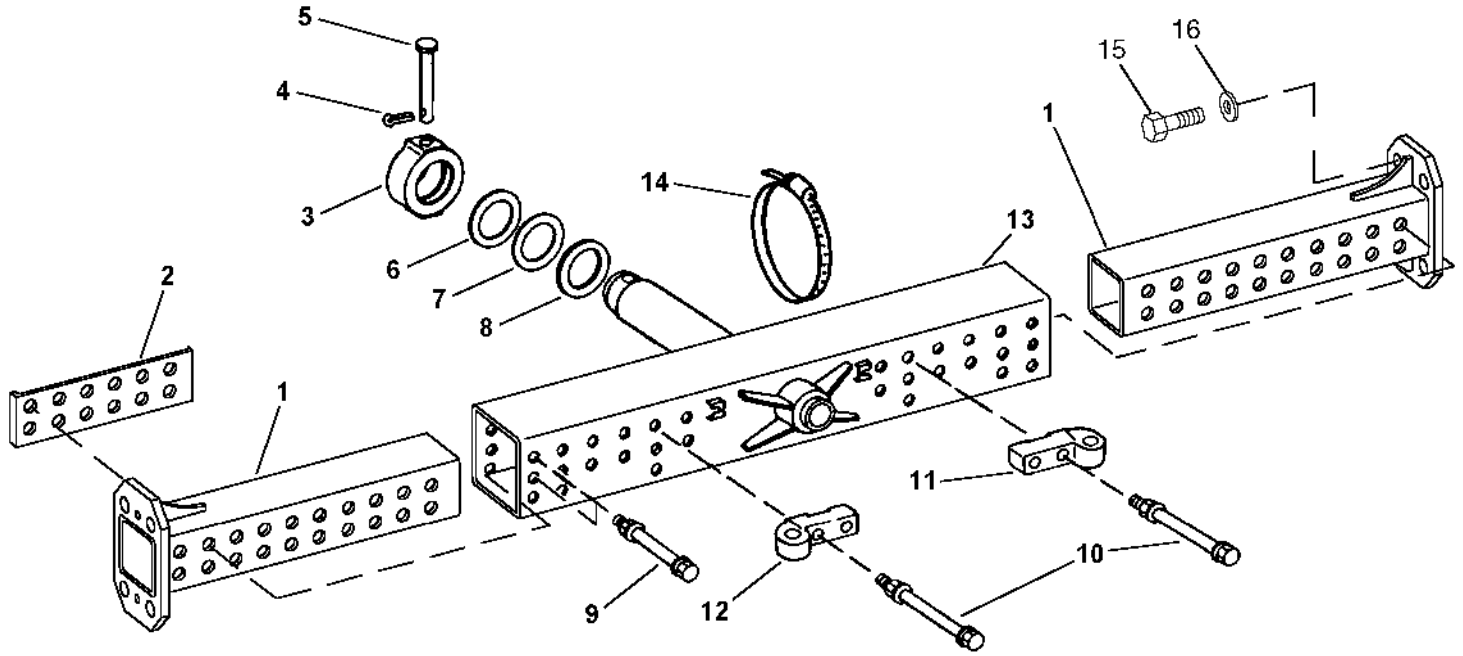
9
5
9 5
5 0
5 S
0 H

KEY	PART NO.	PART NAME	QTY	SERIAL NO.	REMARKS
1	AH134814	AXLE	1	X	
2	H158884	BUSHING	4	X	
3	AH162576	HOUSING	2	X	SPINDLE
4	H134547	BUSHING	1	X	
5	11M7028	COTTER PIN	1	X	5 X 32 MM
6	H142107	PIN	1	X	
7	H129709	WASHER	AR	X	
8	H115140	SHIM	AR	X	
9	H134548	WASHER	1	X	
10	H75423	PIN	4	X	
11	19M8002	CAP SCREW	8	X	M20 X 55
12	H166431	WASHER	8	X	(SUB H174025)
	H174025	SPACER	8	X	
13	JD7759	LUBRICATION FITTING	2	X	
..	C16071	ADHESIVE	1	X	
..	BH78882	COMPLETE GOODS/SHIP. BUNDLE	1	X	SHIELDS

2B8

POWER TRAIN

REAR AXLE, ADJUSTABLE
HP8221 -UN-07MAY99



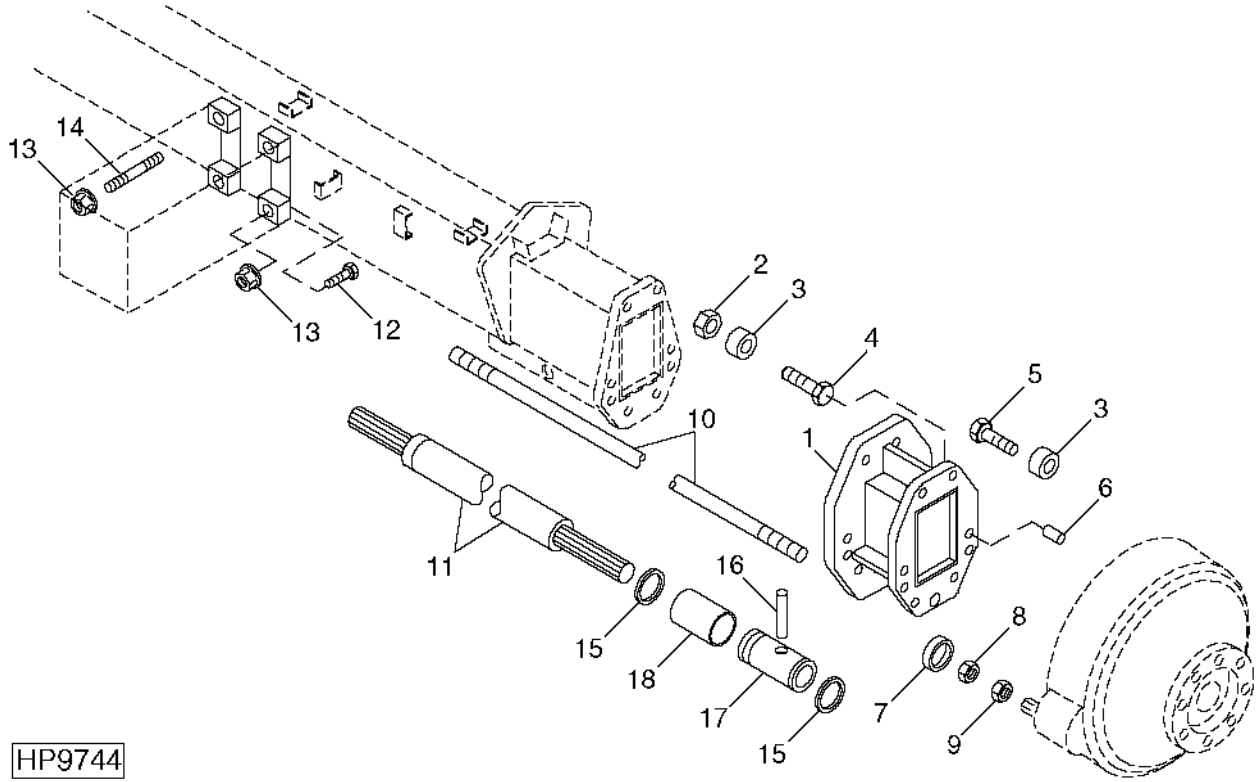
HP8221

KEY	PART NO.	PART NAME	QTY	SERIAL NO.	9 5 9 5 5 0 5 S 0 H	REMARKS
1	AH156773	TUBE	2		X X	
2	H134549	PLATE	2		X X	
3	H134547	BUSHING	1		X X	
4	11M7028	COTTER PIN	1		X X	5 X 32 MM
5	H142107	PIN	1		X X	20 X 180 MM
6	H129709	WASHER	AR		X X	
7	H115140	SHIM	AR		X X	
8	H134548	WASHER	1		X X	
9	19M7921	CAP SCREW	AR		X X	M20 X 150
	24M7242	WASHER	8		X X	21.400 X 42 X 5 MM
	H121472	BOLT	4		X X	(4-WHEEL DRIVE) (CONVERSION)
	H144293	WASHER	8		X X	(4-WHEEL DRIVE) (CONVERSION)
	14M7300	FLANGE NUT	8		X X	M20
10	19M7645	SCREW	4		X X	M20 X 200
	14M7300	FLANGE NUT	4		X X	M20
11	H130224	ANCHOR	1		X X	(R.H.)
12	H130223	ANCHOR	1		X X	(L.H.)
13	AH134813	REAR AXLE	1		X	
	AH135830	REAR AXLE	1		X	
14	AH130230	HOSE CLAMP	2		X X	
15	19H3126	CAP SCREW	8		X X	3/4" X 2-1/4"
16	H144293	WASHER	8		X X	0.787" X 1.772" X 0.394"

2B9

AXLE SPACERS

HP9744 -UN-05MAY00

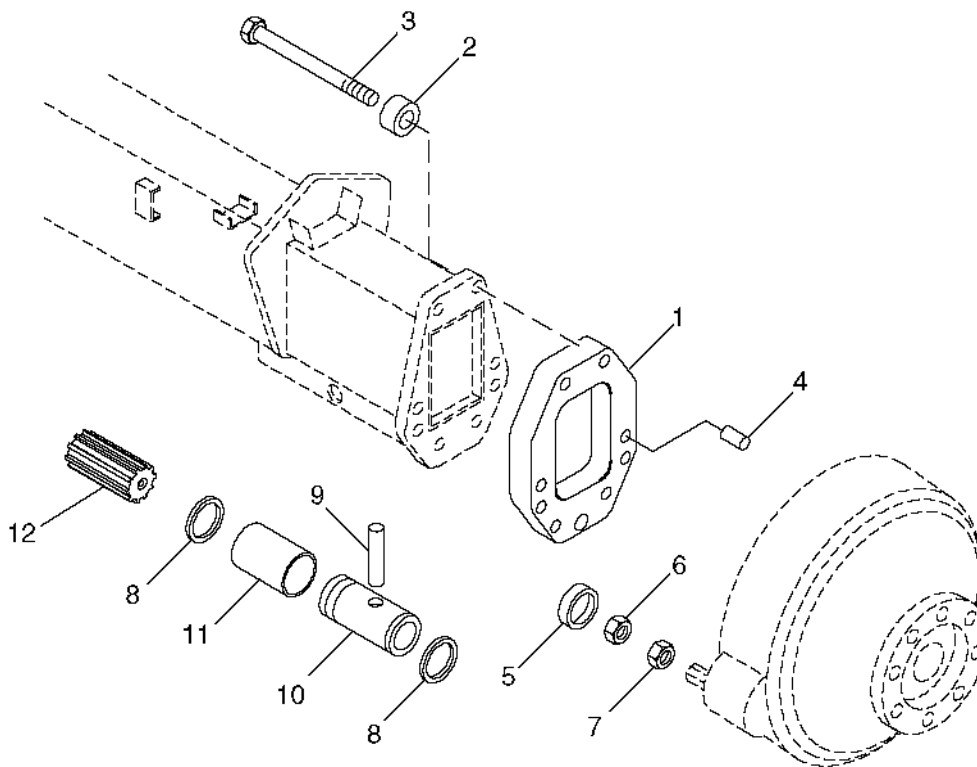


9
5
9 5
5 0
5 S
0 H

KEY	PART NO.	PART NAME	QTY	SERIAL NO.	REMARKS
1	H168744	SPACER	2	X	300 MM
	H168166	SPACER	2	X	400 MM
	H168745	SPACER	2	X	454 MM
2	14M7300	FLANGE NUT	12	X	M20
3	H156127	SLEEVE	12	X	
4	19M7963	CAP SCREW	12	X	M20 X 100
	19M8288	CAP SCREW	12	X	M24 X 90, HIGH CLEARANCE
5	19M7892	CAP SCREW	12	X	M20 X 80
	19M8287	CAP SCREW	12	X	M24 X 80, HIGH CLEARANCE
6	H87691	BUSHING	8	X	
7	H130287	SPACER	2	X	
8	H130288	NUT	2	X	
9	14M7431	NUT	2	X	M30
10	H133635	STUD	1	X	
11	H165662	SHAFT	2	X	300 MM
	H165663	SHAFT	2	X	400 MM
	H165664	SHAFT	2	X	454 MM
	H165665	SHAFT	2	X	DRIVE, R.H.
	H165666	SHAFT	2	X	DRIVE, L.H.
12	H107504	BOLT	2	X	
13	14M7291	FLANGE NUT	4	X	M16
14	42M7028	STUD	2	X	
15	H133229	SNAP RING	4	X	
16	H131754	PIN	2	X	
17	H165510	SPLINED COUPLING	2	X	
18	H134444	SLEEVE	2	X	
..	BH81704	COMPLETE GOODS/SHIP. BUNDLE	2	X	(400 MM) AXLE SPACER
..	BH81705	COMPLETE GOODS/SHIP. BUNDLE	2	X	(300 MM) AXLE SPACER
..	BH81706	COMPLETE GOODS/SHIP. BUNDLE	2	X	(454 MM) AXLE SPACER

2B10

AXLE SPACERS, 105MM (SOLID)
HP9777 -UN-25MAY00



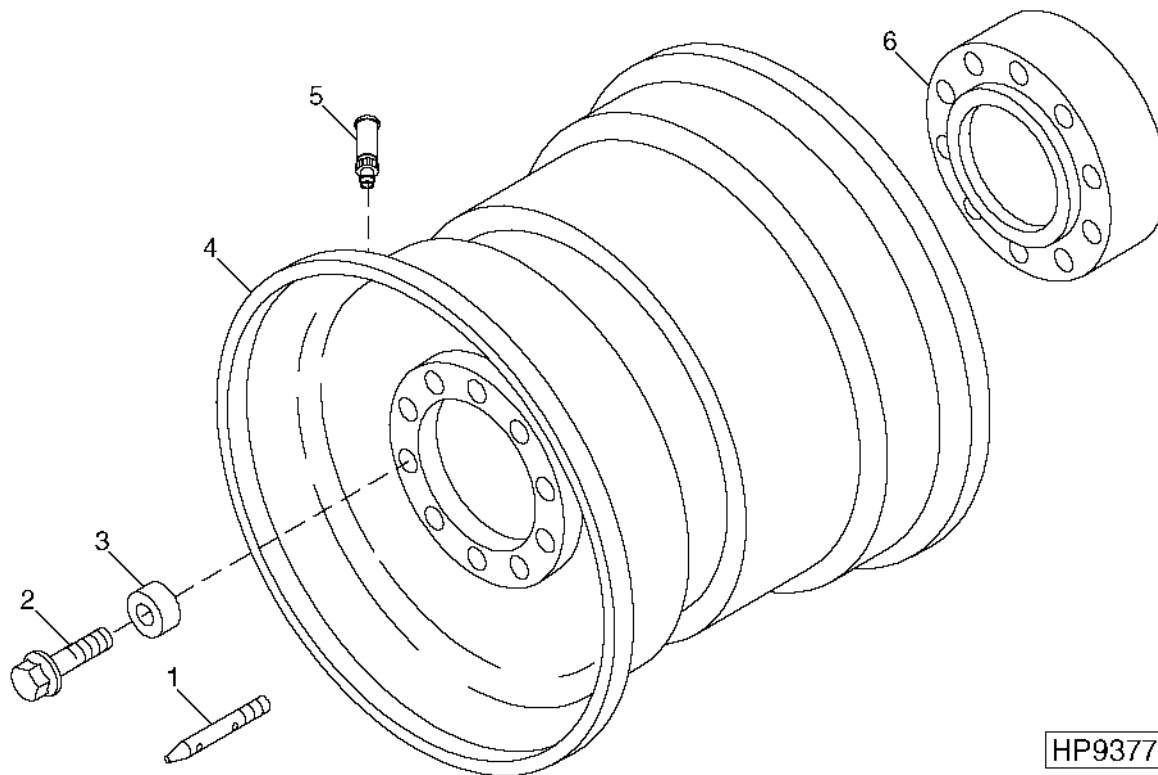
HP9777

9
5
9 5
5 0
5 S
0 H

KEY	PART NO.	PART NAME	QTY	SERIAL NO.	REMARKS
1	AH170484	SPACER	2	X	
2	24M7242	WASHER	2	X	21.400 X 42 X 5 MM
3	19M8100	CAP SCREW	12	X	M20 X 180
4	H87691	BUSHING	8	X	
5	H130287	SPACER	2	X	
6	H130288	NUT	2	X	
7	14M7431	NUT	2	X	M30
8	H133229	SNAP RING	4	X	
9	H131754	PIN	2	X	
10	H165510	SPLINED COUPLING	2	X	18 TEETH
11	H134444	SLEEVE	2	X	
12	H176465	SHAFT	2	X	
..	BH81867	COMPLETE GOODS/SHIP. BUNDLE	2	X	(105MM) AXLE SPACER
..	BH81868	COMPLETE GOODS/SHIP. BUNDLE	2	X	(105MM) AXLE SPACER BOLTS
..	BH81875	COMPLETE GOODS/SHIP. BUNDLE	2	X	(105MM) SPACER

2B11

DRIVE WHEELS
HP9377 -UN-01DEC99



HP9377

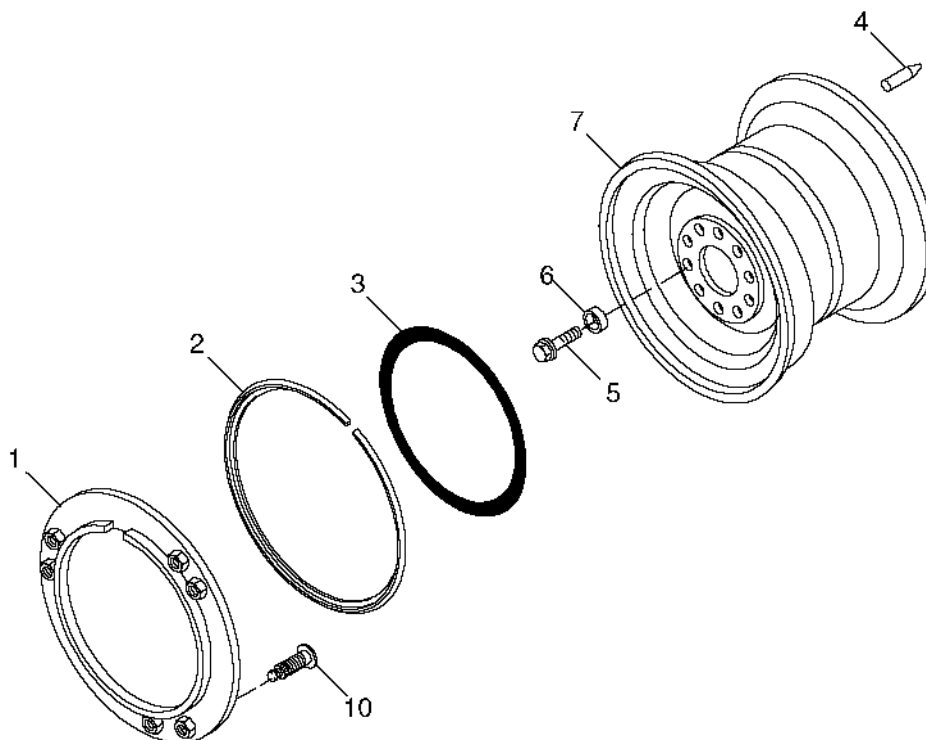
KEY	PART NO.	PART NAME	QTY	SERIAL NO.	9 5 9 5 5 0 5 S 0 H	REMARKS
1	H138607	STUD	1		X X	USE FOR WHEEL MOUNTING ONLY
2	H170072	SCREW	10		X X	
	H138606	CAP SCREW	10		X	USE WITH H139320 ONLY
3	H134114	SPACER	10		X X	
4	AH156626	WHEEL	1		X X	(32XDW27, 12" BC)
	AH141302	WHEEL	1		X	(32XDW21, 16MM INSET) (SUB AH166910)
	AH166910	WHEEL	1		X	(32XDW21, 12" BC)
	AH132128	WHEEL	1		X	(32XDW21, 96MM INSET)
5	AT25226	TIRE VALVE STEM	1		X X	
6	H139320	BUSHING	1		X	(100MM) OPTIONAL

NOTE: REFERENCE SECTION 170 FOR TIRE/WHEEL LABELS AND DECALS
NOTE: QUANTITIES SHOWN ARE FOR ONE UNIT. TWO UNITS USED PER MACHINE.

2B12

HIGH FLOTATION DRIVE WHEELS

HP9718 -UN-18APR00



HP9718

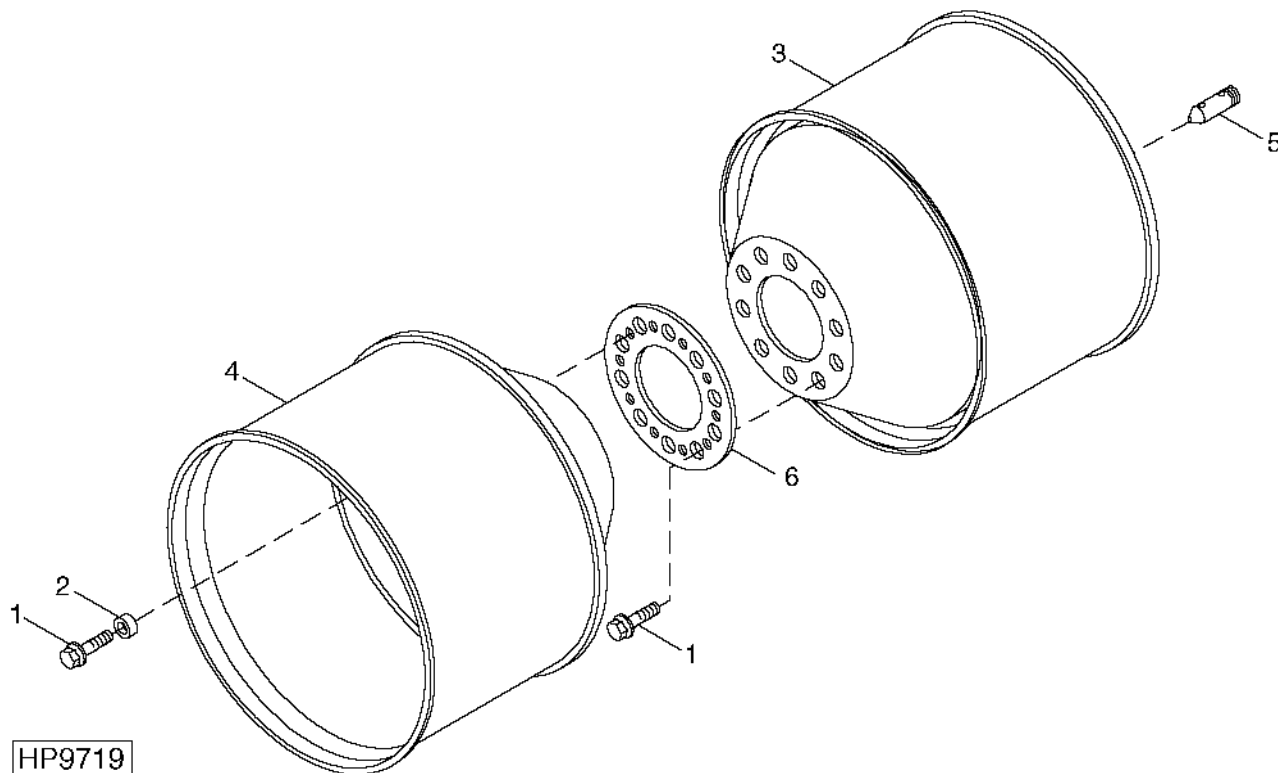
KEY	PART NO.	PART NAME	QTY	SERIAL NO.	REMARKS
1	AH147544	FLANGE	1	X	
2	H105822	RING	1	X	
3	H111500	O-RING	1	X	
4	H138607	STUD	1	X	
5	H170072	SCREW	10	X	
6	H134114	SPACER	10	X	
7	AH147545	WHEEL	1	X	(32X44)
8	AT36212	TIRE VALVE STEM	1	X	
..	BH81146	COMPLETE GOODS/SHIP. BUNDLE	1	X	L.H. TIRE/WHEEL (68 X 50 - 32)
..	BH81147	COMPLETE GOODS/SHIP. BUNDLE	1	X	R.H. TIRE/WHEEL (68 X 50 - 32)
..	BH81537	COMPLETE GOODS/SHIP. BUNDLE	1	X	WHEEL BOLTS FLOTATION TIRES

NOTE: REFERENCE SECTION 170 FOR TIRE/WHEEL LABELS AND DECALS
 NOTE: QUANTITIES SHOWN ARE FOR ONE UNIT. TWO UNITS USED PER MACHINE.

2B13

WIDE-SPACED DUAL WHEELS

HP9719 -UN-18APR00



9
5
9 5
5 0
5 S
0 H

KEY	PART NO.	PART NAME	QTY	SERIAL NO.	REMARKS
1	H170072	SCREW	10	X	
	H138606	CAP SCREW	10	X	
2	H134114	SPACER	10	X	
3	AH130627	WHEEL	1	X	(38 W16L)
	AH140253	WHEEL	1	X	(38 - WH18A)
4	AH150343	WHEEL	1	X	(38XWH16)
	AH150344	WHEEL	1	X	(38XWH 18A)
5	H138607	STUD	1	X	USE FOR WHEEL MOUNTING ONLY
6	N276699	SPACER	1	X	
..	BH81211	COMPLETE GOODS/SHIP. BUNDLE	1	X	L.H. OUTER TIRE/WHEEL 20.8R38 R2
..	BH81212	COMPLETE GOODS/SHIP. BUNDLE	1	X	R.H. OUTER TIRE/WHEEL 20.8R38 R2
..	BH81240	COMPLETE GOODS/SHIP. BUNDLE	1	X	R.H. TIRE/WHEEL 20.8X38 R2
..	BH81241	COMPLETE GOODS/SHIP. BUNDLE	1	X	L.H. TIRE/WHEEL 20.8X38 R2
..	BH81209	COMPLETE GOODS/SHIP. BUNDLE	1	X	L.H. OUTER TIRE/WHEEL 20.8R38 R1
..	BH81210	COMPLETE GOODS/SHIP. BUNDLE	1	X	R.H. OUTER TIRE/WHEEL 20.8R38 R1
..	BH81238	COMPLETE GOODS/SHIP. BUNDLE	1	X	L.H. TIRE/WHEEL 20.8X38 R1
..	BH81239	COMPLETE GOODS/SHIP. BUNDLE	1	X	R.H. TIRE/WHEEL 20.8X38 R1
..	BH81538	COMPLETE GOODS/SHIP. BUNDLE	1	X	WHEEL BOLTS (DUAL WHEELS)
..	BH81539	COMPLETE GOODS/SHIP. BUNDLE	1	X	WHEEL BOLTS (INNER DUALS)
..	BH81751	COMPLETE GOODS/SHIP. BUNDLE	1	X	L.H. INNER TIRE/WHEEL 18.4R38 R1
..	BH81752	COMPLETE GOODS/SHIP. BUNDLE	1	X	R.H. INNER TIRE/WHEEL 18.4R38 R1
..	BH81749	COMPLETE GOODS/SHIP. BUNDLE	1	X	L.H. OUTER TIRE/WHEEL 18.4R38 R1
..	BH81750	COMPLETE GOODS/SHIP. BUNDLE	1	X	R.H. OUTER TIRE/WHEEL 18.4R38 R1

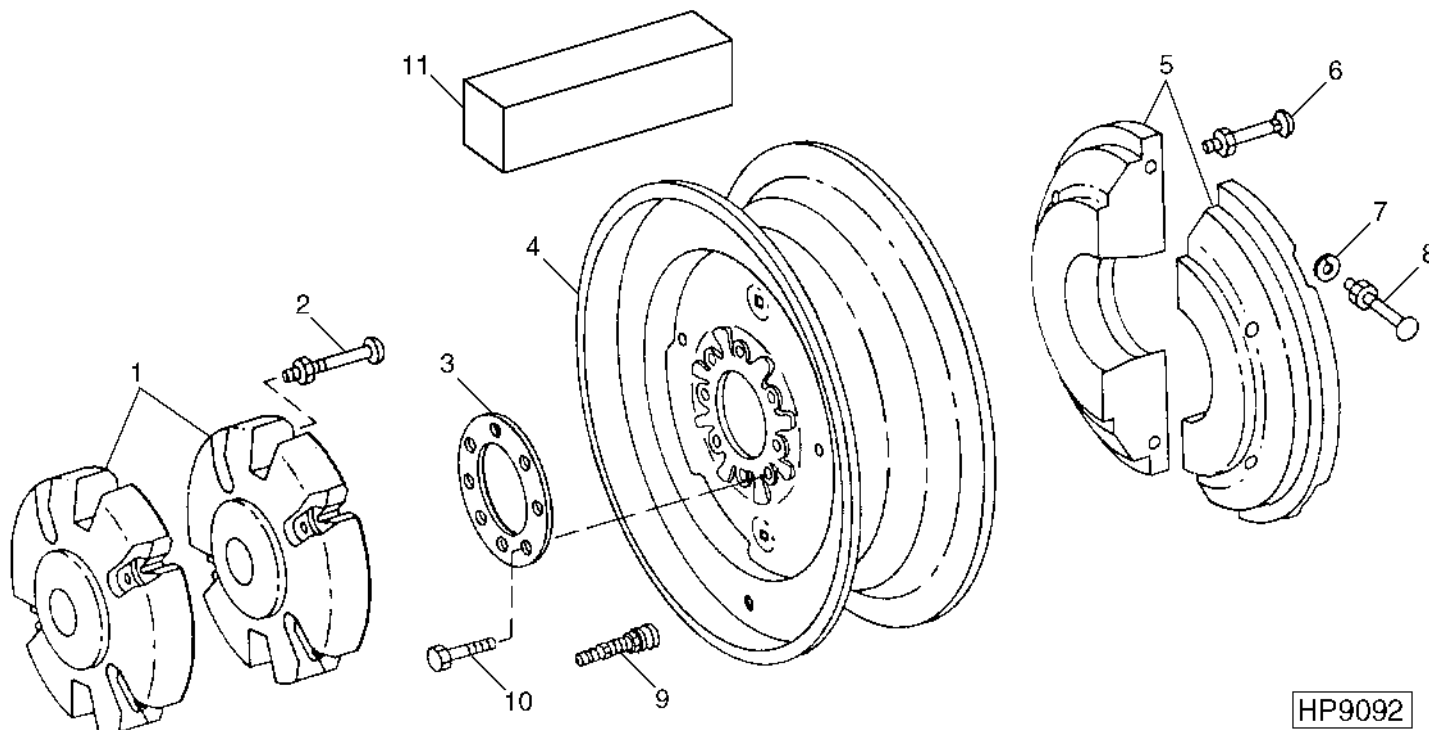
NOTE: REFERENCE SECTION 170 FOR TIRE/WHEEL LABELS AND DECALS
 NOTE: QUANTITIES SHOWN ARE FOR ONE UNIT. TWO UNITS USED PER MACHINE.

2B14

POWER TRAIN

REAR WHEELS AND WHEEL WEIGHTS

HP9092 -UN-22SEP99



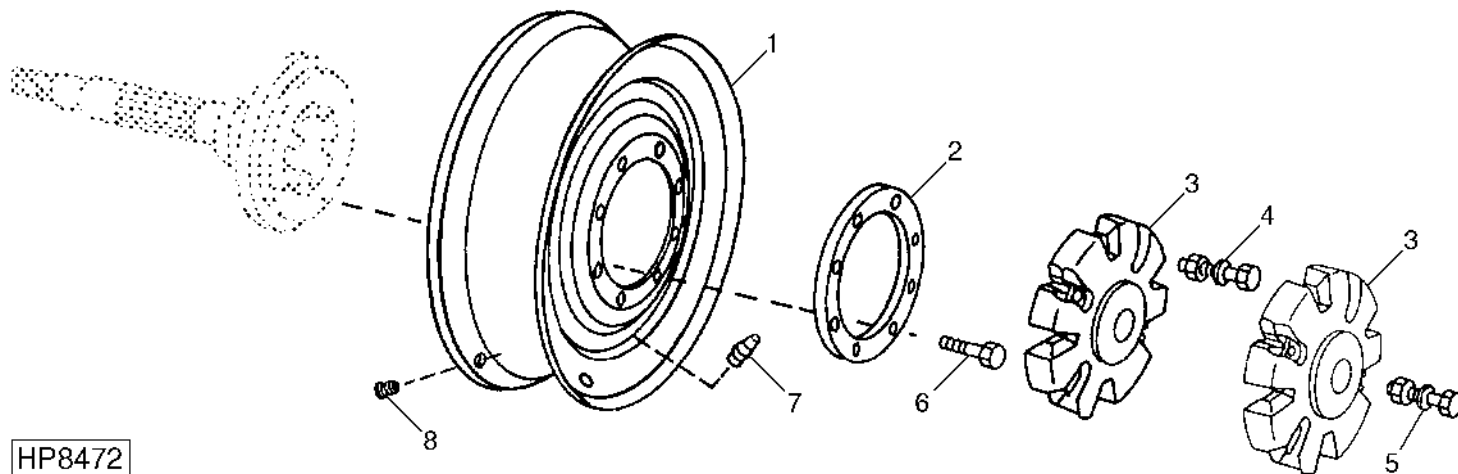
HP9092

KEY	PART NO.	PART NAME	QTY	SERIAL NO.	REMARKS
				9	
				5	
				9 5	
				5 0	
				5 S	
				0 H	
1	H174140	WEIGHT	AR	X X	OUTSIDE, (SUB FOR H103543)
2	03H1858	BOLT	4	X X	5/8" X 3-1/2"
	12H294	LOCK WASHER	4	X X	5/8"
	14H1039	NUT	4	X X	5/8"
3	H84375	RING	1	X X	
4	AH117662	WHEEL	1	X X	(W10H-24")
	AH122100	WHEEL	1	X X	(W12H-24)
	AH167434	WHEEL	1	X X	(DW14-26) (SUB FOR AH135217)
	AH144695	WHEEL	1	X	(26XDW25A) (SUB AH167584)
	AH167584	WHEEL	1	X	(26XDW25A)
5	H95547	WEIGHT	2	X X	INSIDE
6	03H1605	BOLT	4	X X	5/8" X 4" (WITH INSIDE WEIGHTS)
	03H1860	BOLT	4	X X	5/8" X 6" (WITH INSIDE AND OUTSIDE WEIGHTS)
	12H294	LOCK WASHER	4	X X	5/8"
	14H1039	NUT	4	X X	5/8"
7	24H1111	WASHER	2	X X	17/32" X 1-1/16" X 0.090"
8	03H1852	BOLT	2	X X	1/2" X 4"
	12H301	LOCK WASHER	2	X X	1/2"
	14H1040	NUT	2	X X	1/2"
9	AT25226	TIRE VALVE STEM	1	X X	
10	H168476	SCREW	8	X X	
11	H159791	BAR	1	X	
..	BH81792	COMPLETE GOODS/SHIP. BUNDLE	1	X	L.H. TIRE/WHEEL (28 X 26 10 PLY)
..	BH81793	COMPLETE GOODS/SHIP. BUNDLE	1	X	R.H. TIRE/WHEEL (28 X 26 10 PLY)
..	BH81794	COMPLETE GOODS/SHIP. BUNDLE	1	X	L.H. TIRE/WHEEL (28 X 26 12 PLY)
..	BH81795	COMPLETE GOODS/SHIP. BUNDLE	1	X	R.H. TIRE/WHEEL (28 X 26 12 PLY)
..	BH81801	COMPLETE GOODS/SHIP. BUNDLE	1	X	AXLE STOP BLOCK

NOTE: QUANTITIES SHOWN ARE FOR ONE UNIT. TWO UNITS USED PER MACHINE.
 NOTE: REFERENCE SECTION 170 FOR TIRE/WHEEL LABELS AND DECALS

2B15

REAR WHEELS
(4-WHEEL DRIVE / CAM LOBE MOTOR)
 HP8472 -UN-21APR99



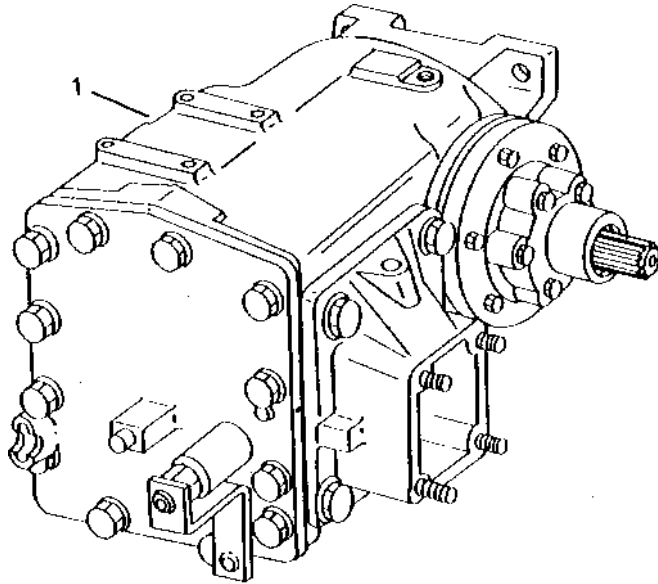
9
5
9 5
5 0
5 S
0 H

KEY	PART NO.	PART NAME	QTY	SERIAL NO.	REMARKS
1	AH64610	WHEEL	1	X X	(DW16X26) (SUB AH167582)
	AH167582	WHEEL CENTER	1	X X	(DW16X26)
	AH138809	WHEEL	1	X	(DW16X30)
2	H84375	RING	1	X X	
3	H174140	WEIGHT	AR	X X	(SUB FOR H103543)
4	03H2075	BOLT	4	X X	5/8" X 3"
	12H294	LOCK WASHER	4	X X	5/8"
	14H1039	NUT	4	X X	5/8"
5	03H1858	BOLT	4	X X	5/8" X 3-1/2"
	12H294	LOCK WASHER	4	X X	5/8"
	14H1039	NUT	4	X X	5/8"
6	H163491	CAP SCREW	8	X X	
7	AT25226	TIRE VALVE STEM	1	X X	
8	AH86866	PLUG	1	X X	
..	BH81592	COMPLETE GOODS/SHIP. BUNDLE	1	X X	WHEEL BOLTS - POWERED REAR AXLE
..	BH81796	COMPLETE GOODS/SHIP. BUNDLE	1	X X	L.H. TIRE/WHEEL (18.4 X 26 6P)
..	BH81797	COMPLETE GOODS/SHIP. BUNDLE	1	X X	R.H. TIRE/WHEEL (18.4 X 26 6P)
..	BH81798	COMPLETE GOODS/SHIP. BUNDLE	1	X X	L.H. TIRE/WHEEL (18.4 X 26 6PR2)
..	BH81799	COMPLETE GOODS/SHIP. BUNDLE	1	X X	R.H. TIRE/WHEEL (18.4 X 26 6PR2)

NOTE: QUANTITIES SHOWN ARE FOR ONE UNIT. TWO UNITS USED PER MACHINE.
 NOTE: REFERENCE SECTION 170 FOR TIRE/WHEEL LABELS AND DECALS

2B16

TRANSMISSION
 HP5722 -UN-01JAN94



HP5722

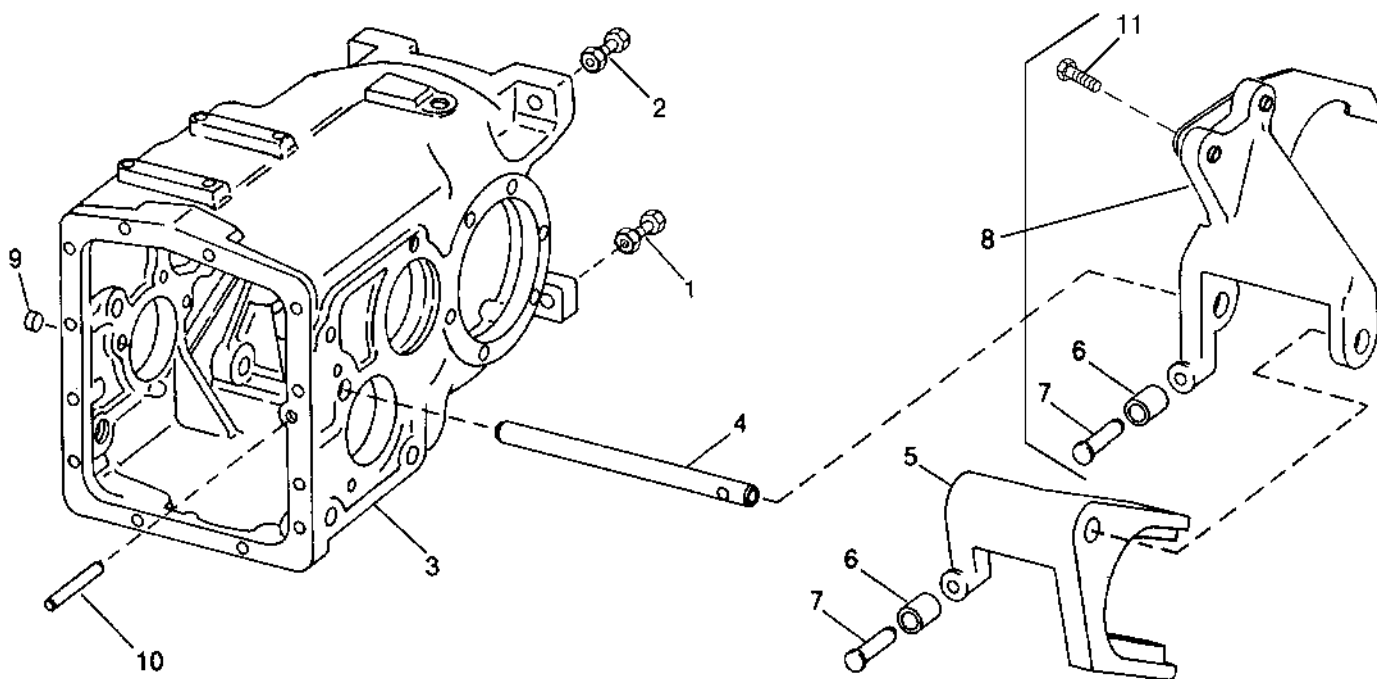
KEY	PART NO.	PART NAME	QTY	SERIAL NO.	9 5 9 5 5 0 5 S 0 H	REMARKS
1	AH158658	TRANSMISSION	1		X	
	AH158662	TRANSMISSION	1		X	(AUSTRALIA ONLY) SINGLE REDUCTION W/O HYDRO
	AH167499	TRANSMISSION	1		X	SINGLE REDUCTION, W/O HYDRO (REMANUFACTURED)

2B17

POWER TRAIN

TRANSMISSION AND SHIFTER FORKS

HP8036 -UN-27JUL99



HP8036

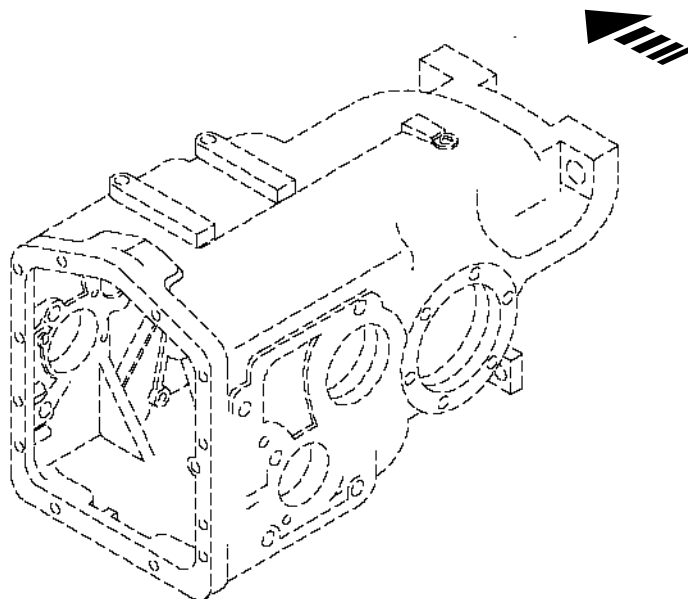
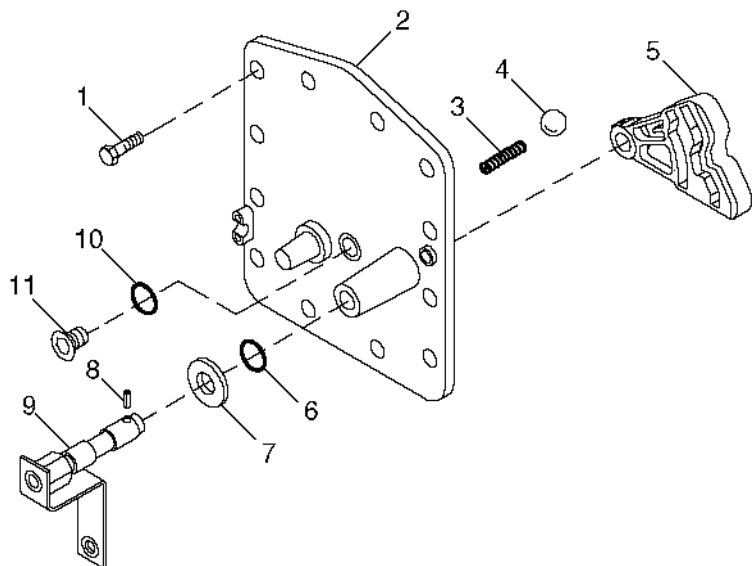
KEY	PART NO.	PART NAME	QTY	SERIAL NO.	9 5 9 5 5 0 5 S 0 H	REMARKS
1	H107504	BOLT	2		X X	M16 X 70
	14M7291	FLANGE NUT	2		X X	M16
2	42M7028	STUD	2		X X	
	14M7291	FLANGE NUT	2		X X	M16
3	HOUSING	1		X X	(ORDER AH140410)
4	H146640	RAIL	1		X X	
5	H135112	SHIFTER	1		X X	
6	R26207	ROLLER	2		X X	
7	H76152	PIN	2		X X	9.512 X 27.686 MM
8	AH122575	SHIFTER	1		X X	
9	N102039	CAP	1		X X	
10	T76836	PIN	1		X X	10 X 74 MM
11	19M7785	SCREW	3		X X	M10 X 25
..	TY9371	ADHESIVE	1		X X	6 ML (0.2 OZ.) TUBE, HIGH STRENGTH
..	TY6304	SEALANT	1		X X	

2B18

POWER TRAIN

TRANSMISSION AND DIFFERENTIAL HOUSING COVER, AND SHIFTER CAM

HP8038 -UN-27JUL99



HP8038

KEY	PART NO.	PART NAME	QTY	SERIAL NO.	REMARKS
1	19M7786	SCREW	12		M10 X 30
2	N199920	COVER	1		
3	T27888	SPRING	1		
4	R1818R	BALL	1		19.050 MM
5	H167375	CAM	1		
6	R71144	O-RING	1		20.295 X 2.616 MM
7	H75700	WASHER	1		25.806 X 44.298 X 3.404 MM
8	CE18374	SPRING PIN	1		
9	AH128267	ARM	1		
10	R26375	O-RING	1		16.358 X 2.210 MM
11	R33138	FITTING	1		

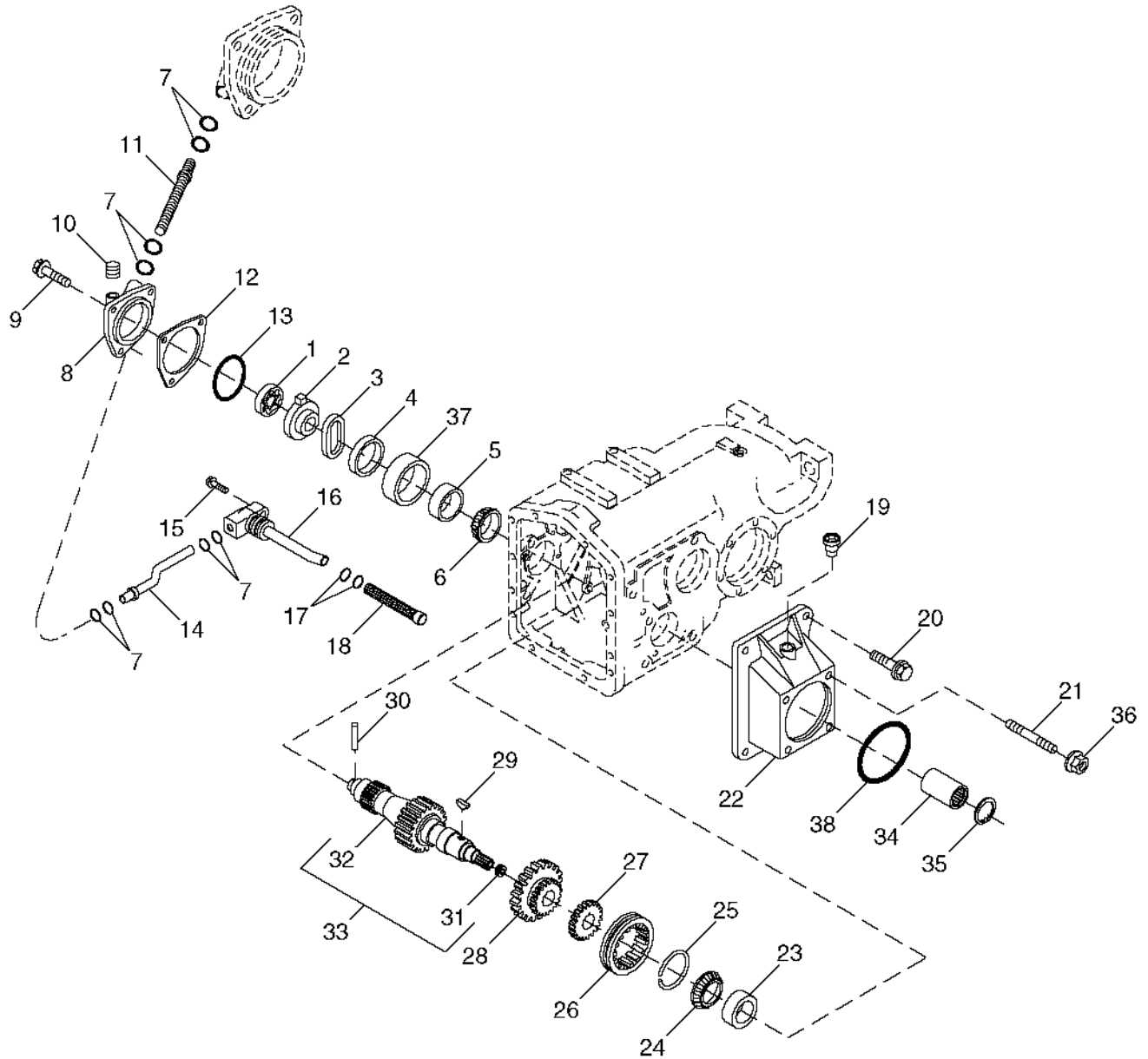
9
5
9 5
5 0
5 S
0 H

MEMORANDA

2B19

TRANSMISSION INPUT SHAFT, GEARS, LUBE PUMP AND BEARINGS

HP8013 -UN-05MAY99



HP8013

2B20

POWER TRAIN

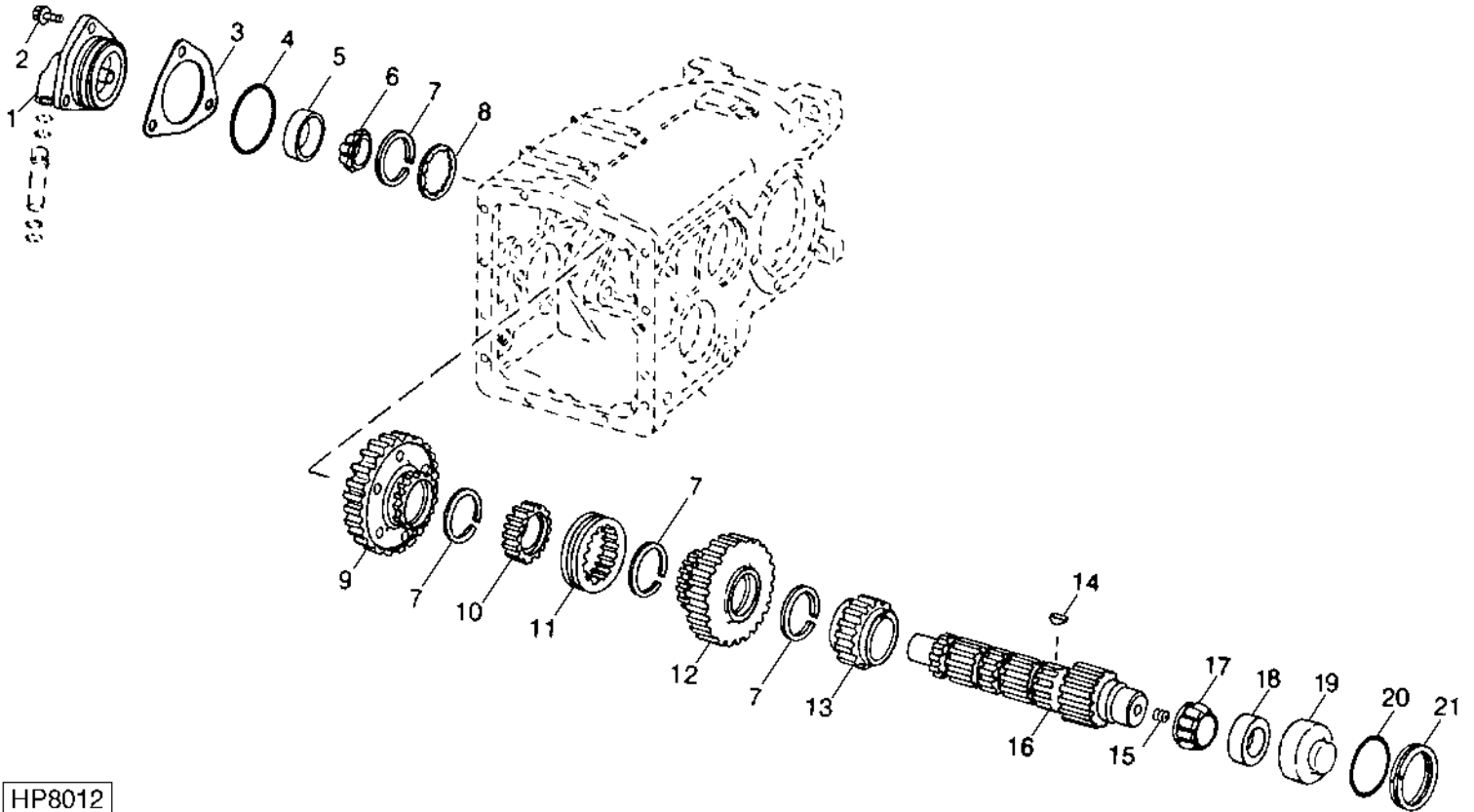
TRANSMISSION INPUT SHAFT, GEARS, LUBE PUMP AND BEARINGS - CONTINUED

KEY	PART NO.	PART NAME	QTY	SERIAL NO.	9550		REMARKS
					0	H	
1	AH128528	ROTOR	1		X	X	
2	H82234	PLATE	1		X	X	LUBE PUMP PORT
3	H82232	WASHER	1		X	X	54.610 X 63.119 X 0.889 MM, (WAVE TYPE)
4	H82233	BUSHING	1		X	X	
5	JD8257	BEARING CUP	1		X	X	
6	AR94761	BEARING CONE	1		X	X	
7	R394R	O-RING	8		X	X	12.370 X 2.616 MM
8	H142030	HOUSING	1		X	X	
9	19M7786	SCREW	3		X	X	M10 X 30
10	15H638	PIPE PLUG	1		X	X	
11	H131296	OIL TUBE	1		X	X	
12	H132892	SHIM	AR		X	X	0.076 (.003) THICK
	H132893	SHIM	AR		X	X	0.127 (.005") THICK
	H132894	SHIM	AR		X	X	0.508 (.02") THICK
13	TY6304	SEALANT	1		X	X	PLASTIC GASKET
14	H131297	OIL TUBE	1		X	X	
15	19M8162	CAP SCREW	1		X	X	M10 X 40
16	AH125228	FITTING	1		X	X	
17	R495R	O-RING	2		X	X	21.819 X 3.531 MM
18	AH121580	SCREEN	1		X	X	
19	AH20868	BREATHER	1		X	X	
20	19M7844	SCREW	4		X	X	M16 X 45
21	42M7029	STUD	4		X	X	
22	H133165	BRACKET	1		X	X	
23	JD8237	BEARING CUP	1		X	X	
24	JD10182	BEARING CONE	1		X	X	
25	P43969	SNAP RING	1		X	X	
26	H129564	SHIFT COLLAR	1		X	X	
27	H129565	SHIFT COLLAR	1		X	X	THIRD GEAR
28	H135943	GEAR	1		X	X	(36 TOOTH)
29	26M4228	SHAFT KEY	1		X		
30	H75358	DOWEL PIN	1		X		
31	H110539	ORIFICE	1		X		
32	H133161	SHAFT	1		X	X	
	H143409	SHAFT	1		X		EXPORT ONLY (AUSTRALIA)
33	AH131861	PINION SHAFT	1		X	X	
	AH137350	PINION SHAFT	1		X		EXPORT ONLY (AUSTRALIA)
34	H129525	SPLINED COUPLING	1		X	X	
35	M41029	SNAP RING	2		X	X	
36	14M7299	FLANGE NUT	4		X	X	M12
37	H142031	SLEEVE	1		X	X	
38	R63308	O-RING	1		X	X	
..	TY9371	ADHESIVE	1		X	X	HIGH STRENGTH 6 ML (0.2 OZ) TUBE
..	TY6304	SEALANT	1		X	X	

2B21

TRANSMISSION PINION SHAFT, GEARS AND BEARINGS

HP8012 -UN-12JUL99



HP8012

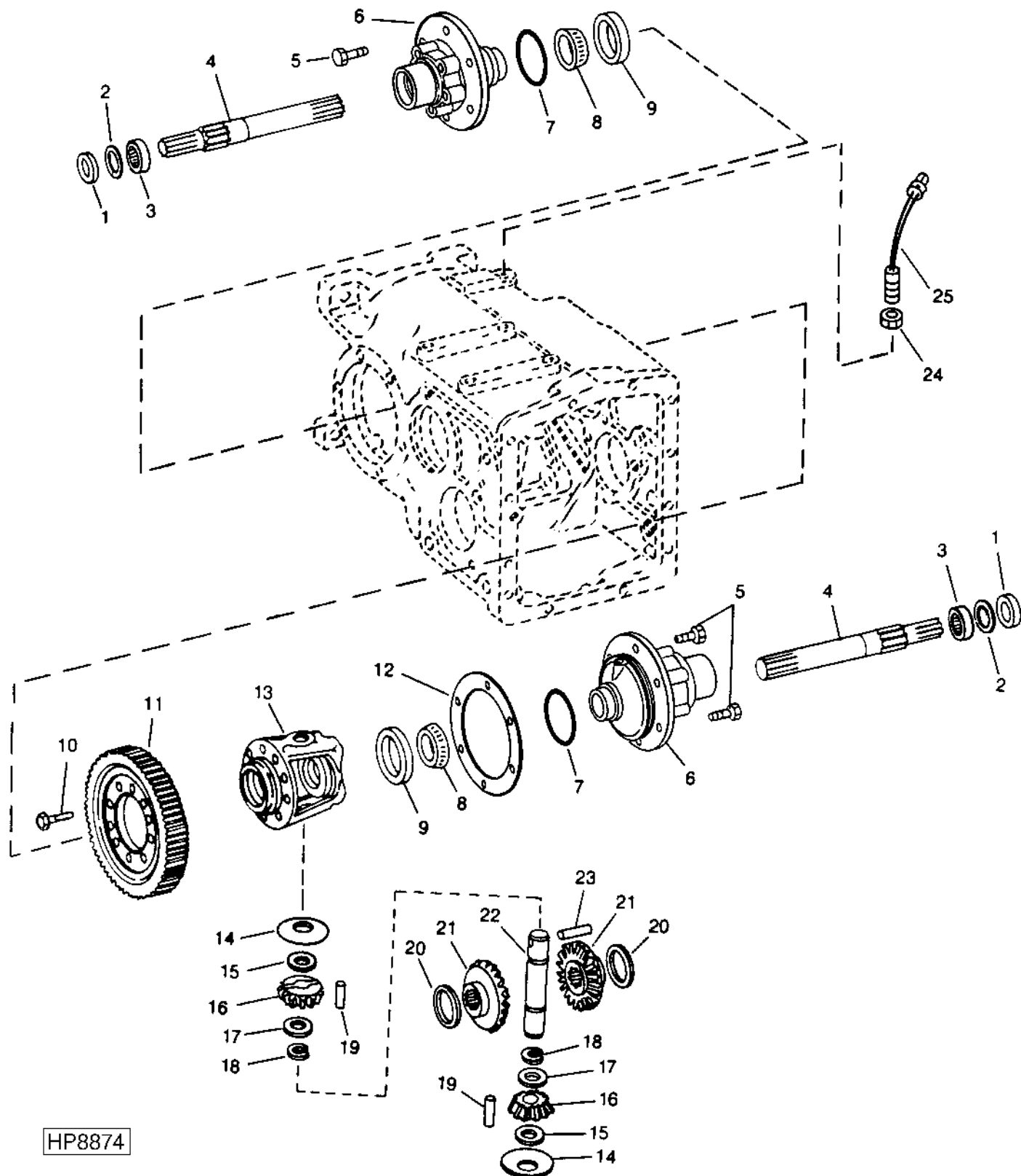
TRANSMISSION PINION SHAFT, GEARS AND BEARINGS - CONTINUED

KEY	PART NO.	PART NAME	QTY	SERIAL NO.	REMARKS
					9
					5
					9 5
					5 0
					5 S
					0 H
1	CE18201	PLANET PINION CARRIER	1		X X
2	19M7786	SCREW	3		X X M10 X 30
3	H132892	SHIM	AR		X X 0.076MM
	H132893	SHIM	AR		X X 0.127
	H132894	SHIM	AR		X X 0.508
4	U10776	O-RING	1		X X 82.144 X 3.531 MM
5	JD8267	BEARING CUP	1		X X
6	JD8979	BEARING	1		X X
7	R26265	SNAP RING	4		X X
8	H103167	WASHER	1		X X
9	H135944	GEAR	1		X X (43 TOOTH)
10	H133010	SHIFT COLLAR	1		X X (DRIVE)
11	H129564	SHIFT COLLAR	1		X X
12	H135942	GEAR	1		X X (32-TOOTH)
	H143408	GEAR	1		X EXPORT ONLY (AUSTRALIA)
13	H132618	GEAR	1		X X (24 TOOTH), FOR 3RD GEAR
14	26M4228	SHAFT KEY	1		X X 8 X 28 MM
15	H110539	ORIFICE	1		X
16	H133160	PINION	1		X
17	JD8182	BEARING CONE	1		X X
18	JD8223	BEARING CUP	1		X X
19	H144385	BEARING CAP	1		X X
20	U10746	O-RING	1		X X 107.544 X 3.531 MM
21	H129558	SNAP RING	1		X X

2B23

TRANSMISSION DIFFERENTIAL GEARS AND SHAFTS

HP8874 -UN-29JUL99



HP8874

2B24

POWER TRAIN

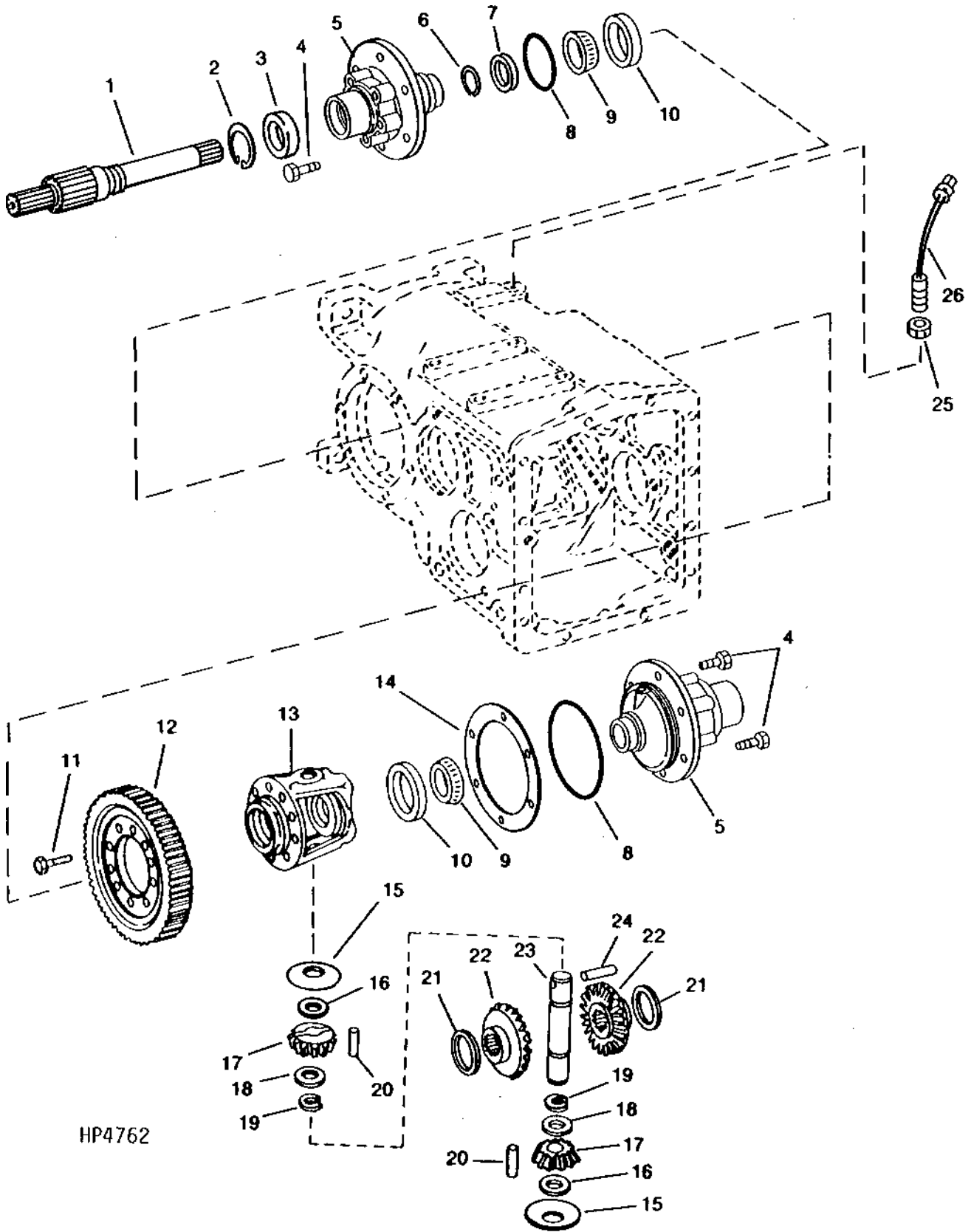
TRANSMISSION DIFFERENTIAL GEARS AND SHAFTS - CONTINUED

KEY	PART NO.	PART NAME	QTY	SERIAL NO.	0 H	REMARKS
					9	
					5	
					9	
					5	
					0	
					5	
					S	
					0	
					H	
1	AT40603	SEAL	2		X	
2	C3936E	SNAP RING	2		X	
3	JD7502	ROLLER BEARING	2		X	
4	H165508	SHAFT	2		X	
5	19M7844	SCREW	12		X	M16 X 45
6	H130407	CRADLE	2		X	
7	R27796	O-RING	2		X	158.344 X 3.531 MM
8	JD8147	BEARING CONE	2		X	
9	JD7425	BEARING CUP	2		X	
10	19M7985	SCREW	14		X	M12 X 35
11	H132554	GEAR	1		X	(60 TOOTH) HEAVY DUTY
12	H126572	SHIM	AR		X	0.076MM THICK
	H126573	SHIM	AR		X	0.127MM THICK
	H126575	SHIM	AR		X	0.508 THICK
13	N197422	HOUSING	1		X	
14	H133202	THRUST WASHER	2		X	32 X 70 X 1.650 MM
15	R70112	THRUST WASHER	2		X	31.480 X 38 X 2.500 MM
16	Z12964	PINION	1		X	
17	R70113	THRUST WASHER	2		X	
18	R70114	SNAP RING	2		X	
19	R70115	NEEDLE ROLLER	52		X	
20	H164794	WASHER	2		X	
21	H92308	GEAR	2		X	
22	H146646	PIN	1		X	
23	34M7073	SPRING PIN	1		X	10 X 65 MM
24	H104418	NUT	1		X	19.050 MM
25	AH116104	SENSOR	1		X	GROUND SPEED

2C1

DIFFERENTIAL GEARS AND SHAFTS (SIDEHILL)

HP4762 -UN-01JAN94



HP4762

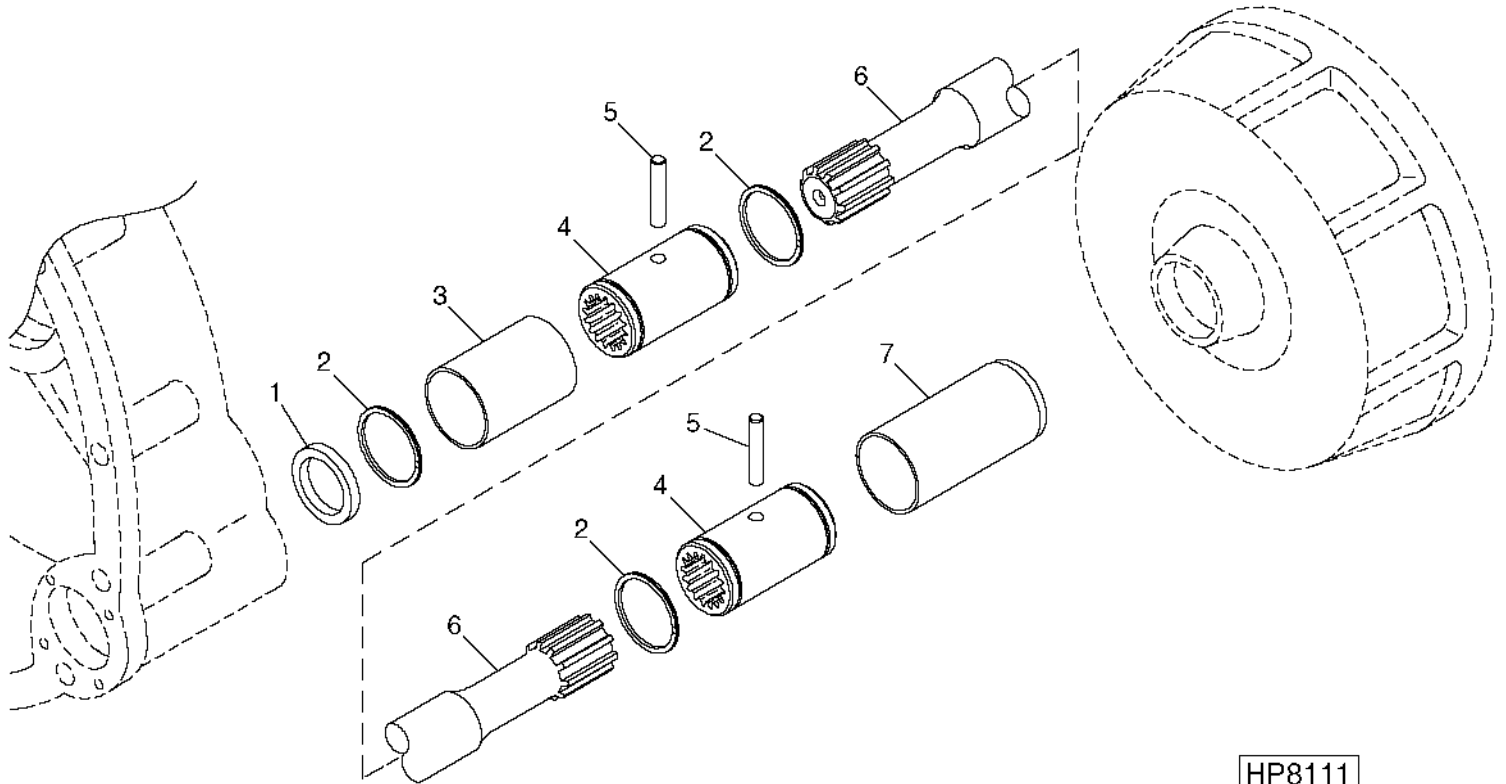
DIFFERENTIAL GEARS AND SHAFTS (SIDEHILL) - CONTINUED

KEY	PART NO.	PART NAME	QTY	SERIAL NO.	9	REMARKS
					5	
					9	
					5	
					5	
					0	
					5	
					S	
					0	
					H	
1	H141556	SHAFT	2		X	
2	U42675	SNAP RING	2		X	
3	JD9245	BALL BEARING	2		X	
4	19M7844	SCREW	12		X	M16 X 45
5	H141557	CRADLE	2		X	
6	H26253	SNAP RING	2		X	
7	AH86596	SEAL	2		X	
8	R27796	O-RING	2		X	
9	JD8147	BEARING CONE	2		X	
10	JD7425	BEARING CUP	2		X	
11	19M7790	SCREW	14		X	M12 X 35
12	H132554	GEAR	1		X	(62 TOOTH)
13	N197422	HOUSING	1		X	
14	H126572	SHIM	AR		X	0.076 MM (.003") THICK
	H126573	SHIM	AR		X	0.127 MM (.005") THICK
	H126575	SHIM	AR		X	0.508 MM (.02") THICK
15	H133202	THRUST WASHER	2		X	
16	R70112	THRUST WASHER	2		X	31.480 X 38 X 2.500 MM (1.239" X 1.496" X 0.098")
17	Z12964	PINION	2		X	
18	R70113	THRUST WASHER	2		X	
19	R70114	SNAP RING	2		X	
20	R70115	NEEDLE ROLLER	52		X	
21	H164794	WASHER	2		X	72.422 X 107.950 X 2.642 MM (2.930" X 4-1/4" X 0.104")
22	H92308	GEAR	2		X	
23	H146646	PIN	1		X	
24	34M7073	SPRING PIN	1		X	10 X 65 MM (0.394" X 2.559")
25	H104418	NUT	1		X	19.050 MM (3/4")
26	AH116104	SENSOR	1		X	GROUND SPEED

2C3

POWER TRAIN

DRIVE SHAFT, FINAL DRIVE
HP8111 -UN-13AUG99



HP8111

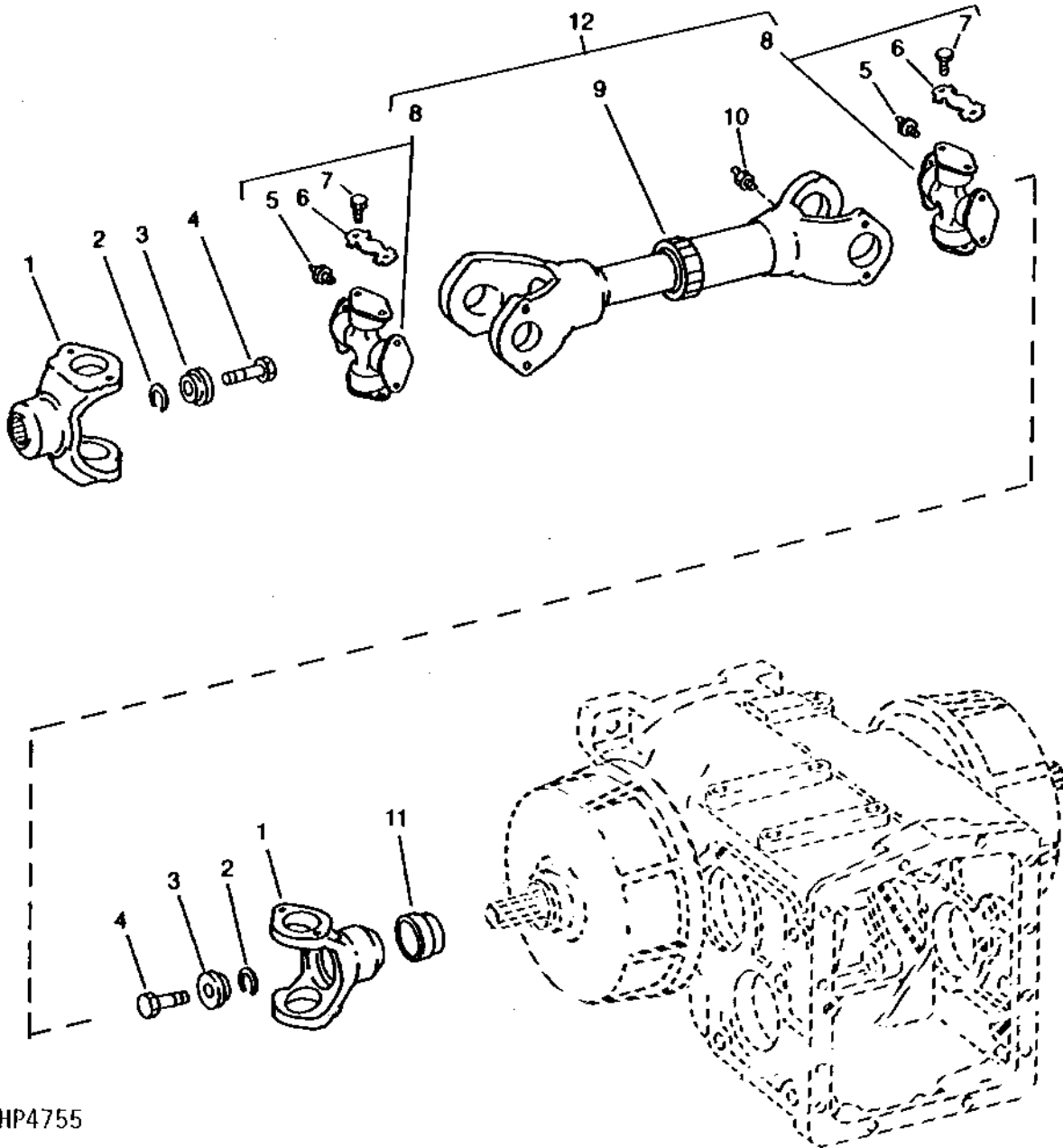
9
5
9 5
5 0
5 S
0 H

KEY	PART NO.	PART NAME	QTY	SERIAL NO.	REMARKS
1	AH128391	SEAL	1	X	
2	H133229	SNAP RING	3	X	
3	H134444	SLEEVE	1	X	
4	H165510	SPLINED COUPLING	2	X	
5	H131754	PIN	2	X	10 X 52 MM
6	H165509	SHAFT	1	X	
7	H166201	SLEEVE	1	X	

MEMORANDA

2C4

FINAL DRIVE SHAFTS (SIDEHILL)
(RIGHT-HAND SIDE ILLUSTRATED)
HP4755 -UN-01JAN94



HP4755

2C5

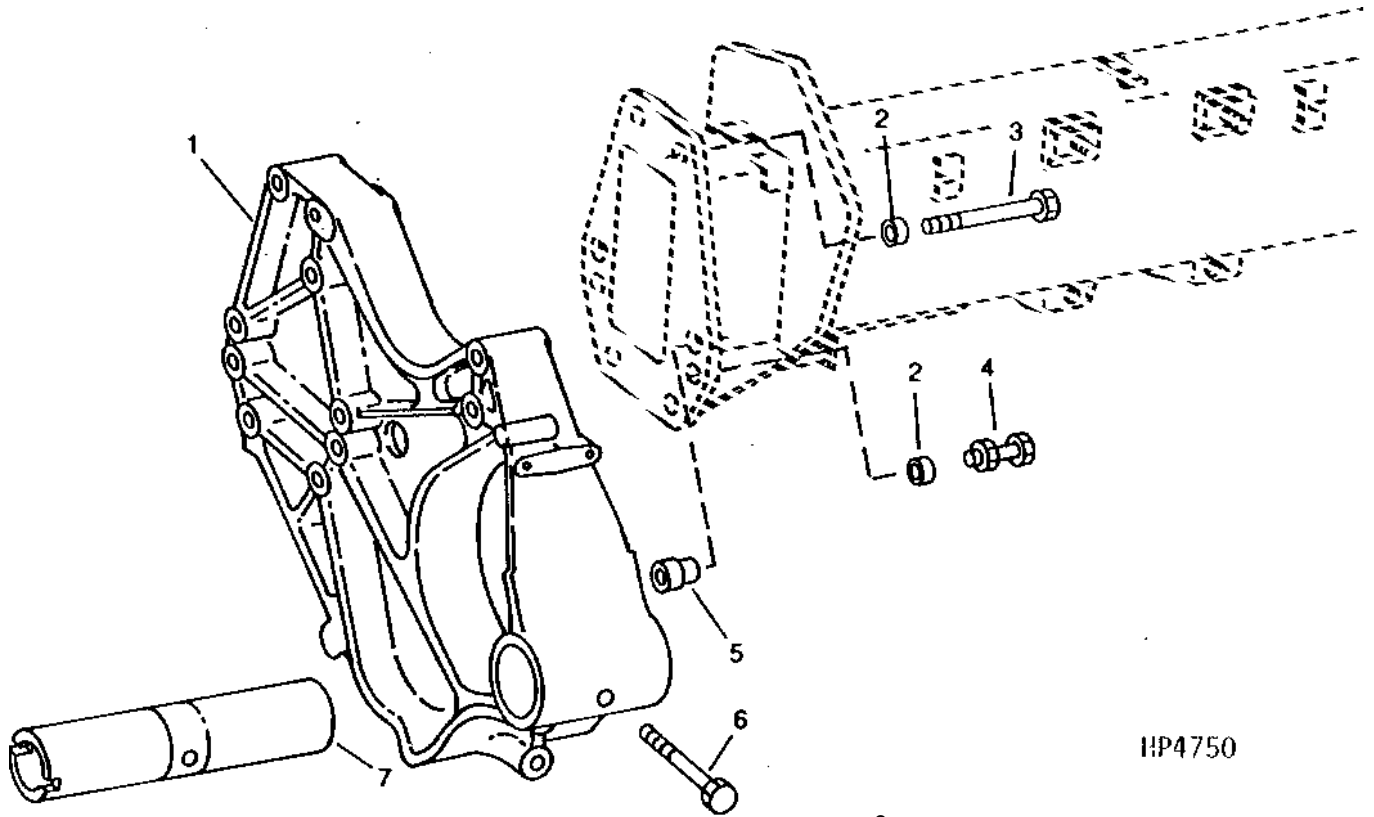
FINAL DRIVE SHAFTS (SIDEHILL) - CONTINUED

KEY	PART NO.	PART NAME	QTY	SERIAL NO.	9 5 9 5 5 0 5 S 0 H	REMARKS
1	H144033	UNIVERSAL JOINT YOKE	2		X	
2	T45167	RING	2		X	
3	H143835	BUSHING	2		X	
4	R112887	BOLT	2		X	M12 X 35
5	JD7797	LUBRICATION FITTING	4		X	
6	H144071	STRAP	8		X	
7	H144072	CAP SCREW	16		X	7.925 X 14.732 MM (5/16" X 0.580")
8	UNIVERSAL JOINT CROSS	2		X	
9	SEAL	1		X	
10	JD7759	LUBRICATION FITTING	1		X	
11	H141555	SPACER	1		X	53.900 X 60.300 X 27 MM (2.122" X 2.374" X 1.063")
12	AH137816	UNIVERSAL DRIVESHAFT	1		X	

NOTE: QUANTITIES SHOWN ARE FOR ONE UNIT. TWO UNITS ARE NEEDED.

**FINAL DRIVE INNER CASTING AND PIVOT TUBE (SIDEHILL)
(RING AND PINION)**

HP4750 -UN-01JAN94



HP4750

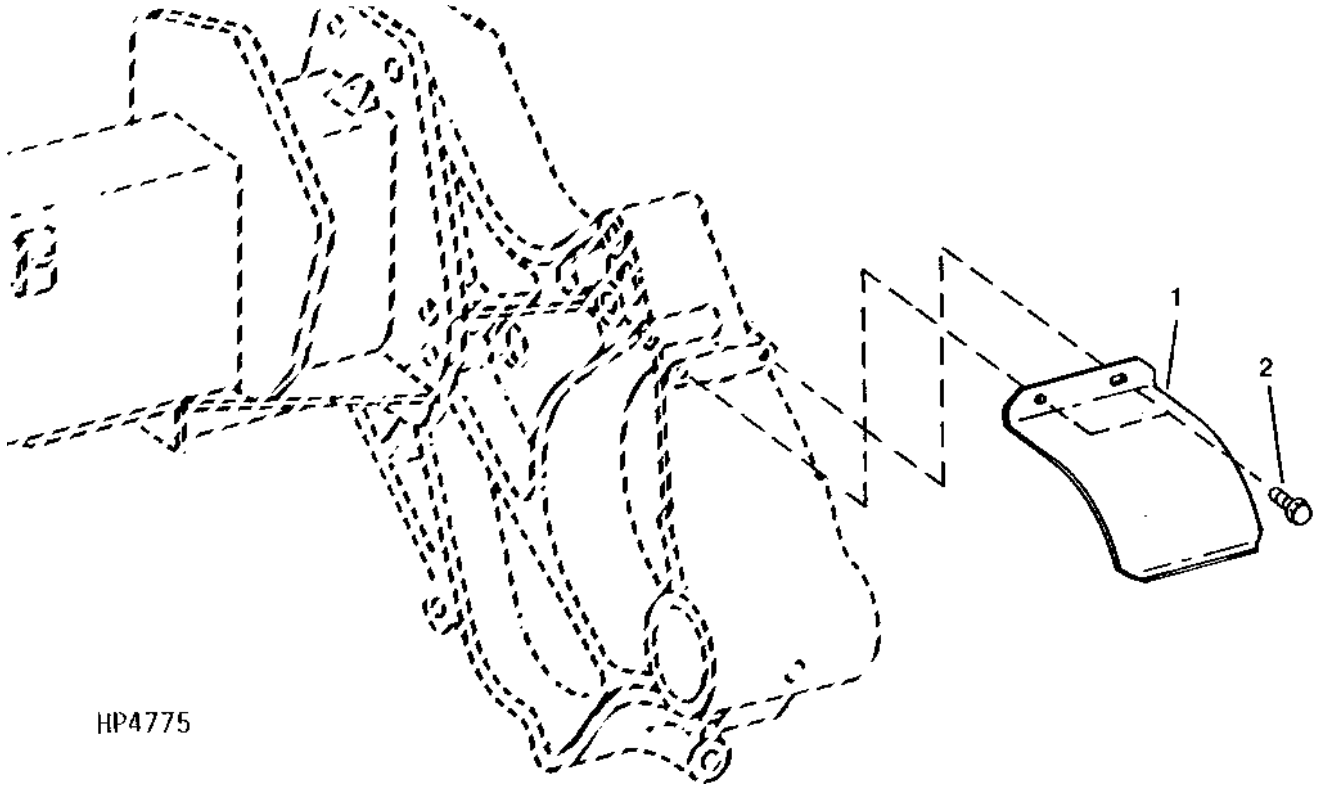
9
5
9 5
5 0
5 S
0 H

KEY	PART NO.	PART NAME	QTY	SERIAL NO.	REMARKS
1	H144022	FRONT AXLE SUPPORT	1	X	L.H.
	H144023	FRONT AXLE SUPPORT	1	X	R.H.
2	H144168	SPACER	6	X	25.400 X 45 X 20 MM (1" X 1.772" X 0.787")
3	19M8287	CAP SCREW	1	X	M24 X 80
4	19M7782	CAP SCREW	5	X	M24 X 180
	14M7278	NUT	5	X	M24
5	H87691	BUSHING	2	X	9.652 X 28.956 X 35.052 MM (0.380" X 1.140" X 1.380")
6	19M7645	SCREW	1	X	M20 X 200
7	H141704	PIVOT	1	X	

NOTE: QUANTITIES SHOWN ARE FOR ONE UNIT. TWO UNITS ARE REQUIRED.

FINAL DRIVE SUPPORT SHIELD (SIDEHILL)

HP4775 -UN-01JAN94



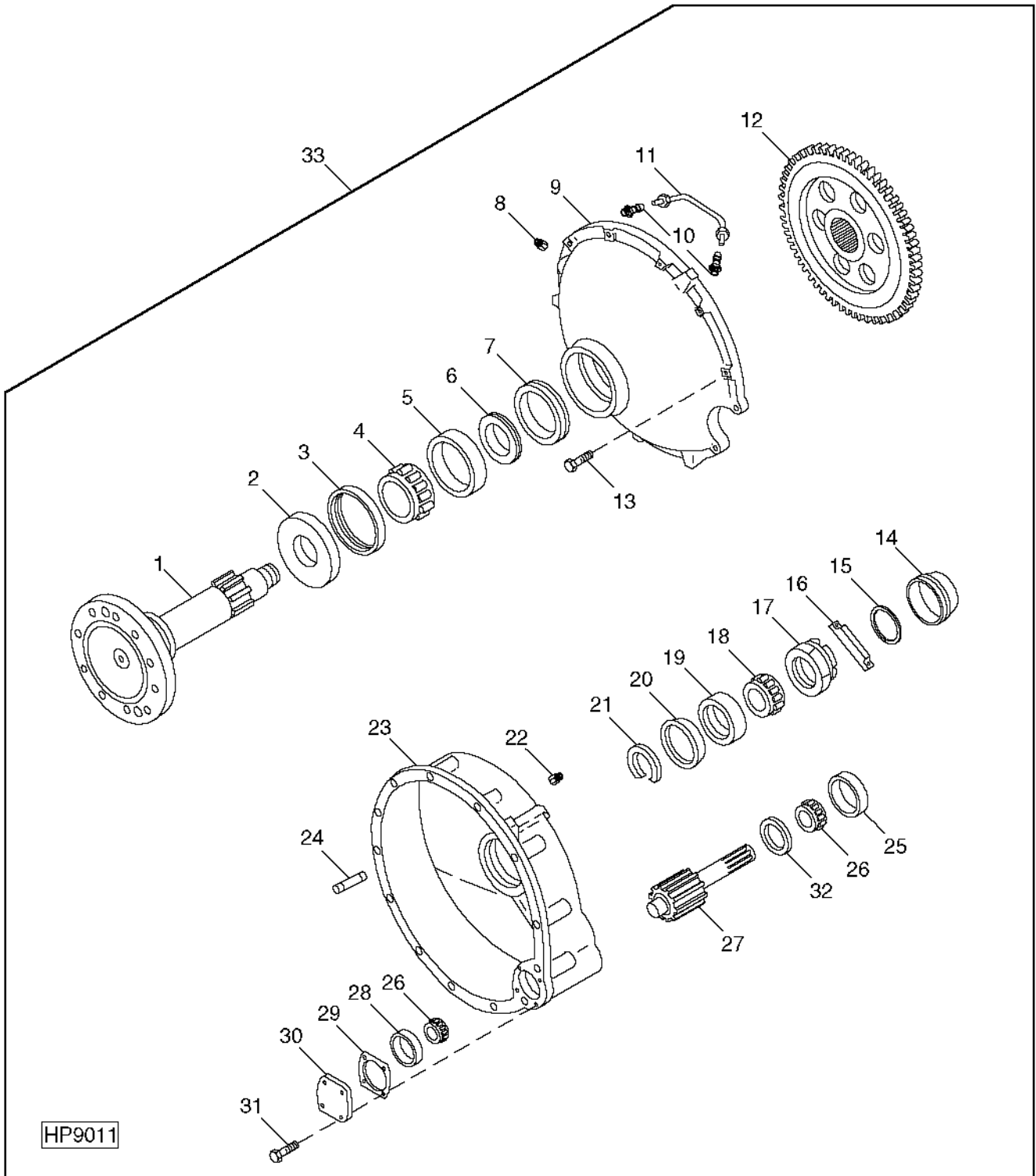
HP4775

KEY	PART NO.	PART NAME	QTY	SERIAL NO.	9 5 9 5 5 0 H	REMARKS
1	H145399	SHIELD	2		X	
2	19M7784	SCREW	4		X	M10 X 20

NOTE: QUANTITIES SHOWN ARE FOR ONE UNIT. TWO UNITS ARE REQUIRED.

2C8

FINAL DRIVE, SINGLE REDUCTION
HP9011 -UN-07SEP99



FINAL DRIVE, SINGLE REDUCTION - CONTINUED

KEY	PART NO.	PART NAME	QTY	SERIAL NO.	0 H	REMARKS
					9	
					5	
					9	
					5	
					0	
					5	
					S	
					0	
					H	
1	H133094	SPINDLE	1		X	(A)
	H161534	SPINDLE	1		X	(B)
2	AH112402	SEAL	1		X	(A)
	AH112401	SEAL	1		X	(B)
3	R52015	SEAL	1		X	(A)
	R90080	OIL CUP	1		X	(B)
4	JD9092	BEARING CONE	1		X	(A)
	JD10134	BEARING CONE	1		X	(B)
5	JD9147	BEARING CUP	1		X	(A)
	JD10135	BEARING CUP	1		X	(B)
6	R99244	V-RING SEAL	1		X	(A)
	H161871	V-RING SEAL	1		X	(B)
7	AH125233	SEAL	1		X	(A)
	AH155232	V-RING SEAL	1		X	(B)
8	JD7760	LUBRICATION FITTING	1		X	
9	H133092	HOUSING	1		X	(A) (OUTER)
	H163694	HOUSING	1		X	(B) (OUTER)
10	R35352	FITTING	2		X	
11	AH120736	OIL LINE	1		X	(A)
	AH156971	LINE	1		X	(B)
12	H167723	GEAR	1		X	(A) 95 TOOTH
	H137672	GEAR	1		X	(B) 104 TOOTH
13	19M7824	SCREW	12		X	M16 X 60
14	H154720	PLUG	1		X	
15	H22784	SNAP RING	1		X	
16	H125330	SHAFT KEY	1		X	
17	H129854	NUT	1		X	
18	JD10266	BEARING CONE	1		X	
19	JD7298	BEARING CUP	1		X	
20	H129557	SPACER	1		X	
21	H118882	SNAP RING	1		X	
22	15H584	PIPE PLUG	2		X	1/2"
	P46369	FITTING	1		X	1/2", VENT PLUG
23	N276475	HOUSING	1		X	(A) L.H.
	N276474	HOUSING	1		X	(A) R.H.
	H167970	HOUSING	1		X	(B)
	H167971	HOUSING	1		X	(B)
24	R54380	DOWEL PIN	2		X	
25	T79098	BEARING CUP	1		X	(A)
	JD7278	BEARING CUP	1		X	(B)
26	JD10401	BEARING CONE	2		X	(A)
	JD7228	BEARING CONE	2		X	(B)
27	H168898	PINION	1		X	(A) 10 TOOTH
	H167722	PINION	1		X	(B)
28	JD8222	BEARING CUP	1		X	(A)
	JD7278	BEARING CUP	1		X	(B)
29	H133096	SHIM	AR		X	(A) 0.50 MM (STEEL)
	H133097	SHIM	AR		X	(A) 0.25 MM (STEEL)
	H133098	SHIM	AR		X	(A) 0.13 MM (PLASTIC) (BLUE)
	H161541	SHIM	2		X	(B)
	H161542	SHIM	1		X	(B)
	H161543	SHIM	2		X	(B)
	H163745	SHIM	2		X	(B)
30	H133089	CAP	1		X	(A)
	H161540	CAP	1		X	(B)
31	19M7835	SCREW	4		X	M10 X 35
32	AH128391	SEAL	1		X	
33	AH163026	DRIVE	1		X	(A)
	AH163027	DRIVE	1		X	(A)
	AH155006	DRIVE	1		X	(B) L.H. (HI CLEARANCE)
	AH155005	DRIVE	1		X	(B) R.H. (HI CLEARANCE)

(A)REGULAR DUTY (B)HEAVY DUTY - HIGH CLEARANCE

NOTE: QUANTITIES SHOWN ARE FOR ONE UNIT. TWO UNITS USED PER MACHINE.

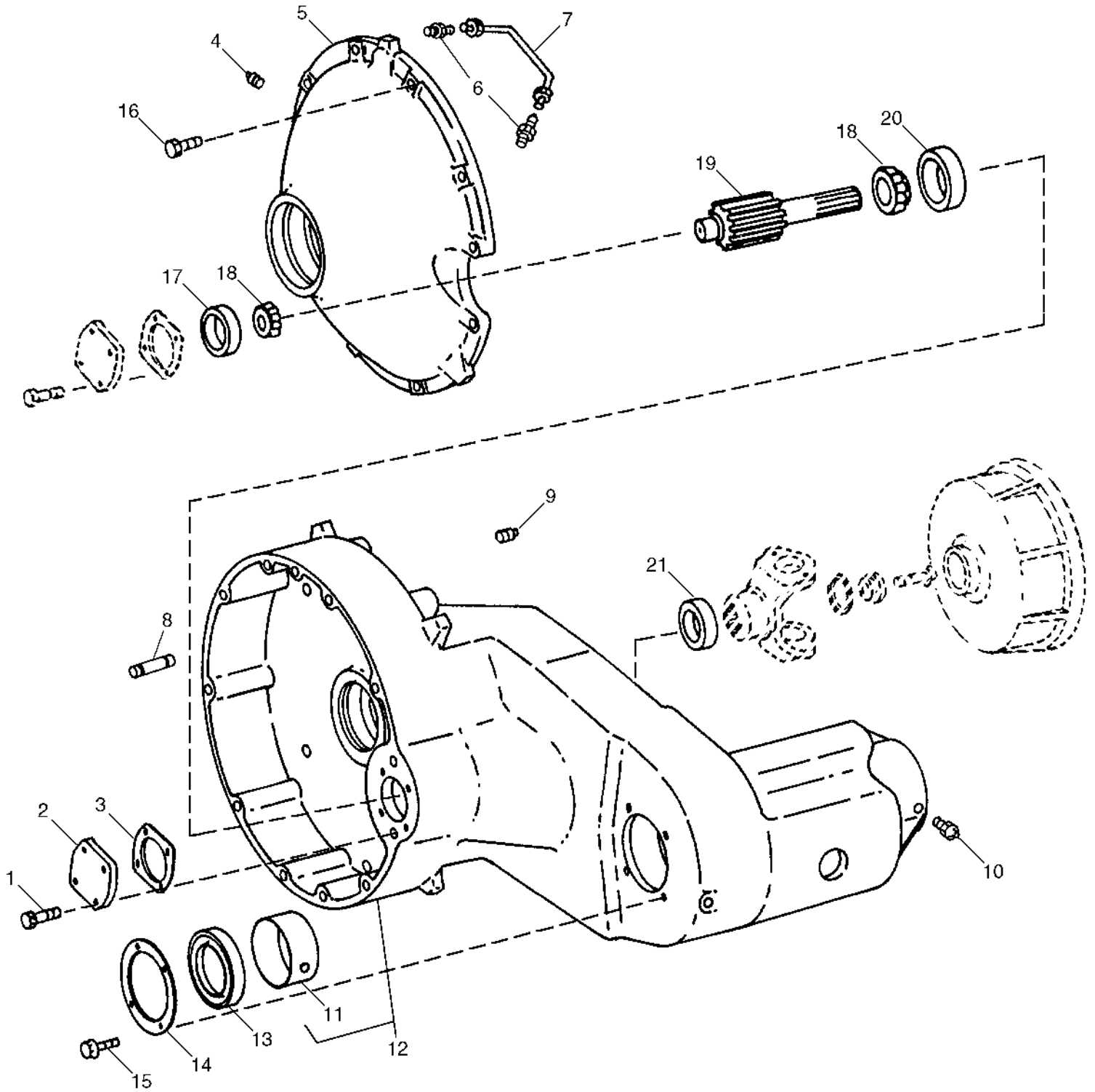
2C10

POWER TRAIN

FINAL DRIVE HOUSING AND BEARING CAP

(SIDEHILL)

HP8875 -UN-29JUL99



HP8875

**FINAL DRIVE HOUSING AND BEARING CAP - CONTINUED
(SIDEHILL)**

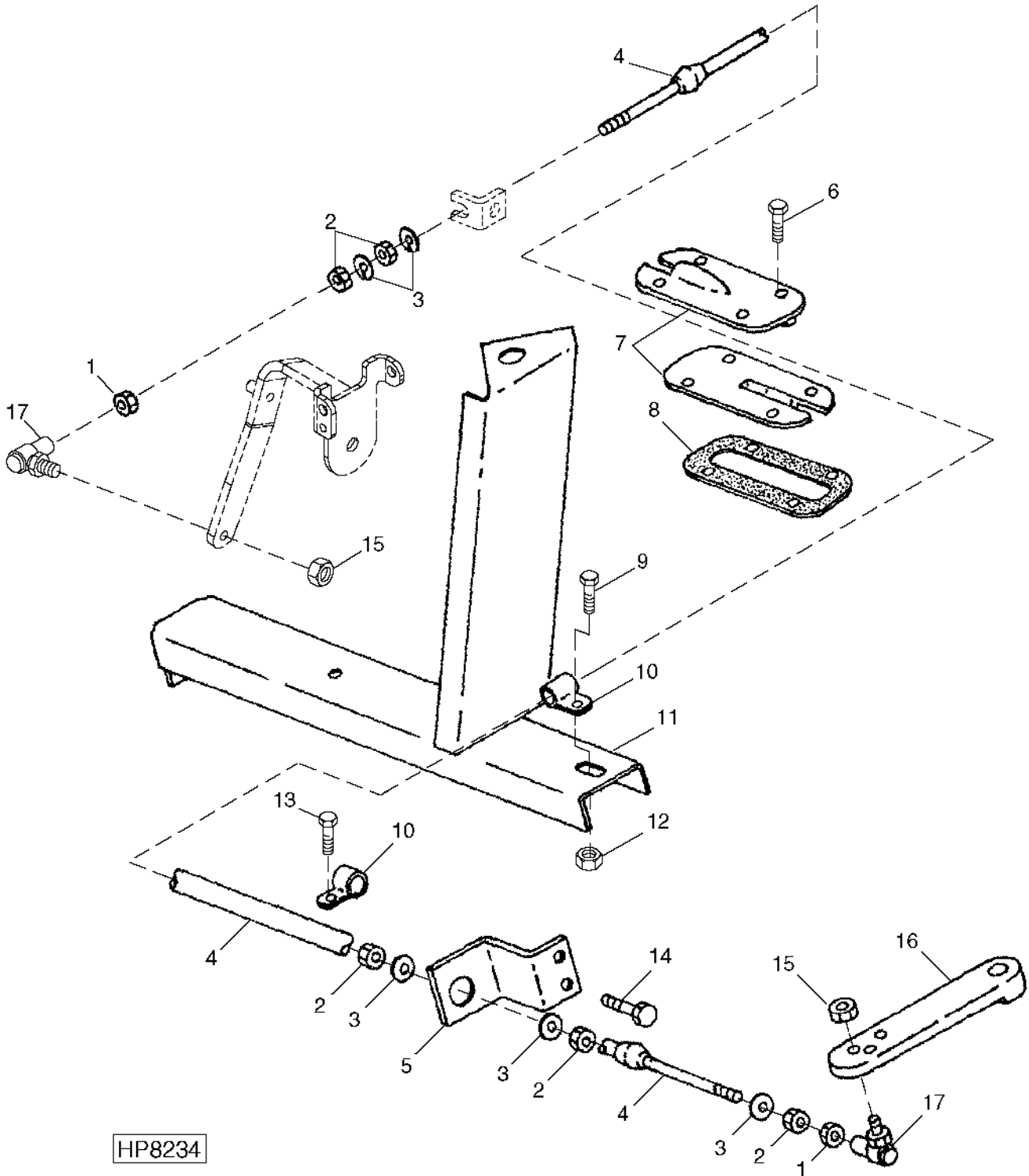
KEY	PART NO.	PART NAME	QTY	SERIAL NO.	9 5 9 5 5 0 5 S 0 H	REMARKS
1	19M7835	SCREW	4		X	M10 X 35
2	H133089	CAP	1		X	
3	H133096	SHIM	AR		X	0.50 MM (0.020") (STEEL)
	H133097	SHIM	AR		X	0.25 MM (0.010") (STEEL)
	H133098	SHIM	AR		X	0.13 MM (0.005") (BLUE PLASTIC)
4	JD7760	LUBRICATION FITTING	1		X	
5	H133092	HOUSING	1		X	OUTER
6	R35352	FITTING	2		X	
7	AH120736	OIL LINE	1		X	
8	R54380	DOWEL PIN	2		X	15.875 X 38.100 MM (5/8" X 1-1/2")
9	P46369	FITTING	1		X	
	15H584	PIPE PLUG	3		X	1/2"
10	JD7759	LUBRICATION FITTING	2		X	
11	H146281	BUSHING	4		X	
12	AH136157	HOUSING	1		X	INNER
13	AH112284	SEAL	2		X	
14	H143836	BACK-UP RING	2		X	
15	19M7775	SCREW	8		X	M6 X 16
16	19M7824	SCREW	12		X	M16 X 60
17	JD8222	BEARING CUP	1		X	
18	JD10401	BEARING CONE	2		X	
19	H168899	PINION	1		X	
20	T79098	BEARING CUP	1		X	
21	AH128391	SEAL	1		X	
..	TY6304	SEALANT	1		X	

NOTE: QUANTITIES SHOWN ARE FOR ONE UNIT. TWO UNITS PER MACHINE.

2C12

HYDROSTATIC DRIVE CONTROL CABLE

HP8234 -UN-23JUL99



HP8234

2C13

POWER TRAIN

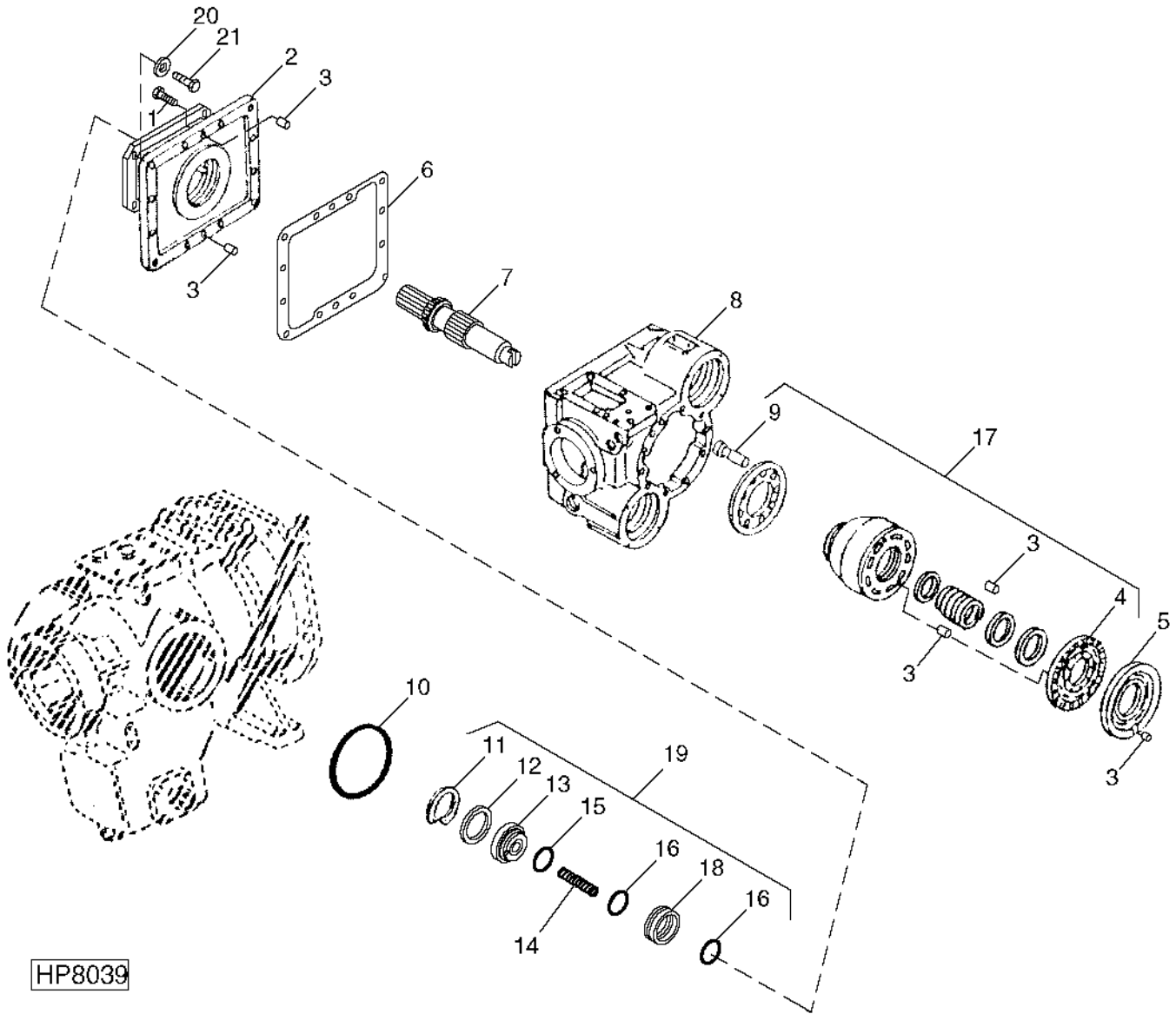
HYDROSTATIC DRIVE CONTROL CABLE - CONTINUED

KEY	PART NO.	PART NAME	QTY	SERIAL NO.	9 5 9 5 5 0 5 S 0 H	REMARKS
1	14M7272	NUT	2		X X	M6
2	14M7260	NUT	5		X X	M16
3	24M7241	WASHER	5		X X	17 X 34 X 4 MM
4	AH138048	CABLE	1		X X	
5	H142044	SUPPORT	1		X X	REGULAR
6	37M7131	SCREW	4		X X	M6 X 20
7	H126124	CLAMP	2		X X	
8	H126123	GASKET	1		X X	
9	19M7868	SCREW	1		X X	M8 X 30
10	AH80916	CLIP	3		X X	
11	AH136362	SUPPORT	1		X X	
12	14M7298	FLANGE NUT	1		X X	M8
13	37M7058	SCREW	1		X X	M8 X 20
14	19M7867	SCREW	2		X X	M8 X 25
15	H168961	LOCK NUT	2		X X	
16	H168988	LEVER	1		X X	
17	AH106933	BALL JOINT	2		X X	

2C14

HYDROSTATIC DRIVE PUMP, FRONT COVER AND SHAFT

HP8039 -UN-26MAR99



HP8039

2C15

POWER TRAIN

HYDROSTATIC DRIVE PUMP, FRONT COVER AND SHAFT - CONTINUED

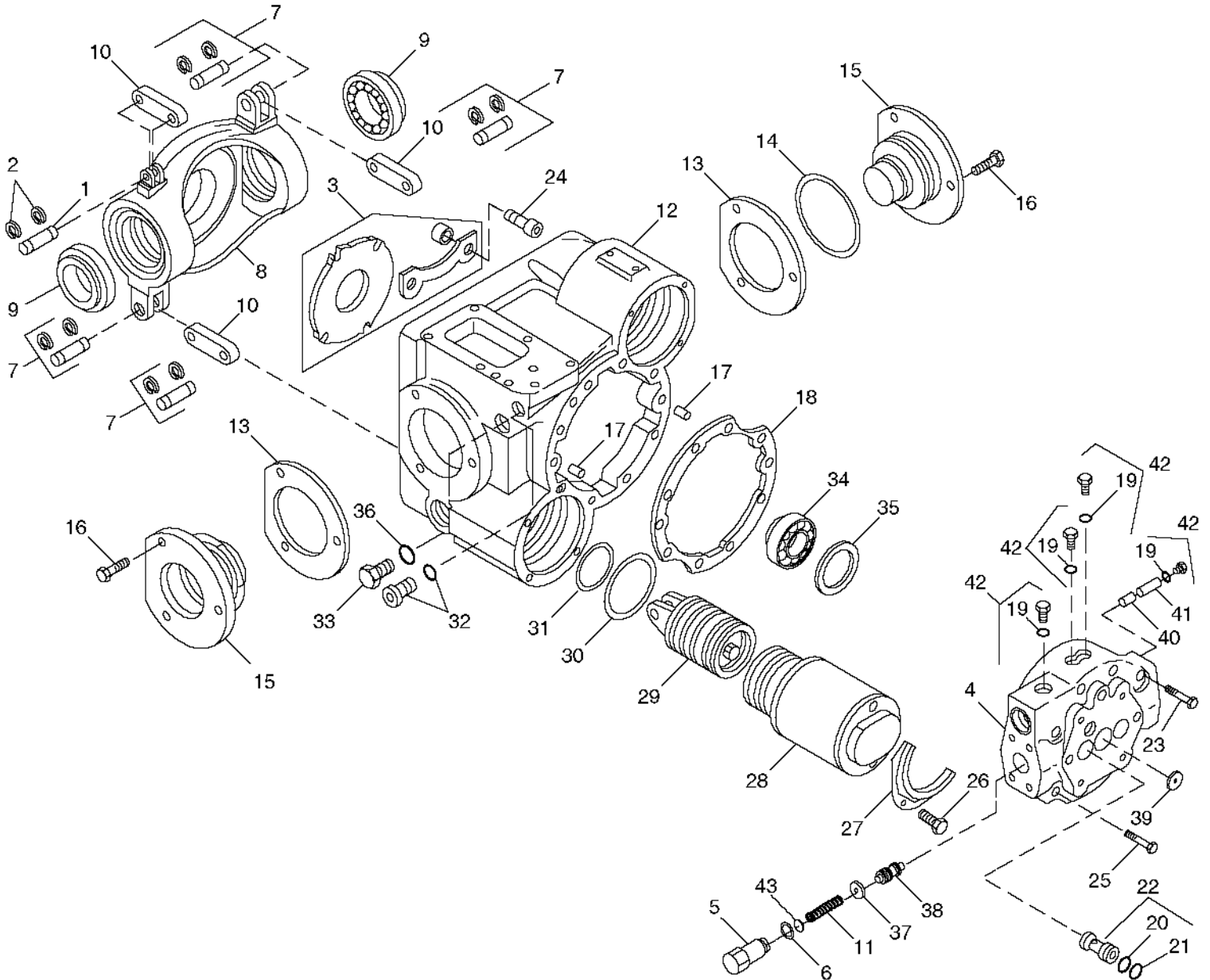
KEY	PART NO.	PART NAME	QTY	SERIAL NO.	0 H	REMARKS
					9	
					5	
					9 5	
					5 0	
					5 S	
					0 H	
1	19H1731	CAP SCREW	12		X X	3/8" X 1"
2	FLANGE	1		X X	
3	H63271	PIN	5		X X	
4	H135500	PLATE	1		X X	
5	H135499	PLATE	1		X X	
6	N126585	GASKET	1		X X	
7	AH133660	SHAFT	1		X X	
8	HOUSING	1		X X	
9	AH131169	PISTON	1		X X	(INCLUDES 9 PISTONS)
10	R63308	O-RING	1		X X	120.015 X 5.334 MM
11	N126612	SNAP RING	1		X X	
12	R112857	O-RING	1		X X	64.770 X 2.616 MM
13	RETAINER	1		X X	(KIT AN193085)
14	N191174	SPRING	6		X X	
15	U15415	O-RING	1		X X	34.646 X 1.778 MM
16	N196034	O-RING	2		X X	42.520 X 2.616 MM
17	AH131171	KIT	1		X X	
18	SEAL KIT	1		X X	
19	AN193085	SEAL KIT	1		X X	
20	T29342	WASHER	4		X X	
21	19M7493	CAP SCREW	4		X X	M12 X 40
..	AH164935	HYDRAULIC PUMP	1		X X	REMANUFACTURED (75CC)

2C16

POWER TRAIN

HYDROSTATIC DRIVE PUMP, HOUSING, SWASHPLATE, AND SERVO CYLINDERS

HP8037 -UN-12JUL99



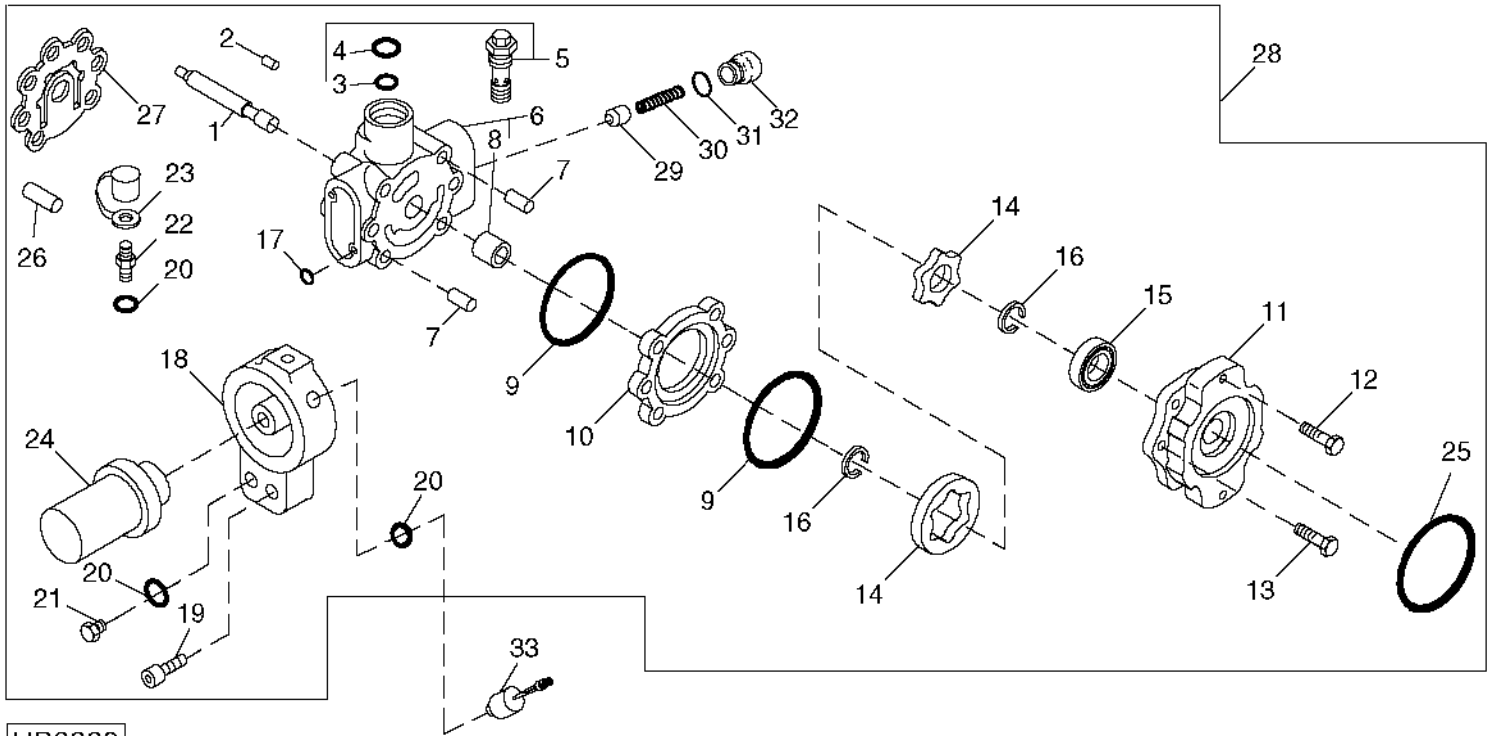
HP8037

HYDROSTATIC DRIVE PUMP, HOUSING, SWASHPLATE, AND SERVO CYLINDERS - CONTINUED

KEY	PART NO.	PART NAME	QTY	SERIAL NO.	9		REMARKS
					0	H	
1	N126603	PIN	1		X	X	6.350 X 22.606 MM
2	M48000	SNAP RING	2		X	X	
3	AH131391	KIT	1		X	X	
4	COVER	1		X	X	
5	H135215	HOLDER	1		X	X	
6	R26906	O-RING	1		X	X	
7	AN274375	PIN	2		X	X	
8	SWASH PLATE	1		X	X	
9	JD9076	BEARING CONE	2		X	X	
	JD9133	BEARING CUP	2		X	X	
10	N126600	LINK	2		X	X	
11	H135211	COMPRESSION SPRING	1		X	X	
12	HOUSING	1		X	X	
13	AN122506	SHIM	AR		X	X	FOUR, .002", .005", .010" AND .015"
14	T14065	O-RING	2		X	X	66.269 X 3.531 MM
15	TRUNNION	2		X	X	
16	19H2284	CAP SCREW	6		X	X	3/8" X 7/8"
17	H63271	PIN	2		X	X	
18	N126584	GASKET	1		X	X	
19	R30903	O-RING	1		X	X	
20	32246	O-RING	2		X	X	13.945 X 2.616 MM
21	W23690	BACK-UP RING	2		X	X	
22	AN122502	CHECK VALVE	2		X	X	
23	19H1944	CAP SCREW	6		X	X	3/8" X 2-3/4"
24	19H3053	SCREW	4		X	X	5/16" X 1"
25	19H1800	CAP SCREW	2		X	X	3/8" X 1-1/2"
26	19H3176	SCREW	6		X	X	0.164" X 0.380"
27	N126602	RETAINER	2		X	X	
28	AN122493	SLEEVE	2		X	X	
29	AH131172	PISTON	2		X	X	
30	R53543	O-RING	2		X	X	67.945 X 2.619 MM
31	M43518	O-RING	2		X	X	61.595 X 2.616 MM
32	AN122518	FITTING	1		X	X	
33	R51031	FITTING	1		X	X	
34	AN122507	ROLLER BEARING	1		X	X	
35	AN122509	SHIM	1		X	X	FIVE, .002", .005", .010" AND .015"
36	R28782	O-RING	2		X	X	8.915 X 1.829 MM
37	H135213	WASHER	1		X	X	
38	H135214	VALVE SPOOL	1		X	X	
39	H135567	ORIFICE	1		X	X	
40	H135503	NEEDLE ROLLER	1		X	X	
41	H135504	NEEDLE ROLLER	1		X	X	
42	AT63272	FITTING	4		X	X	
43	AH129278	KIT	1		X	X	SHIM
..	AH164935	HYDRAULIC PUMP	1		X	X	REMANUFACTURED (75CC)

2C18

HYDROSTATIC DRIVE CHARGE PUMP
HP8228 -UN-27JUL99



HP8228

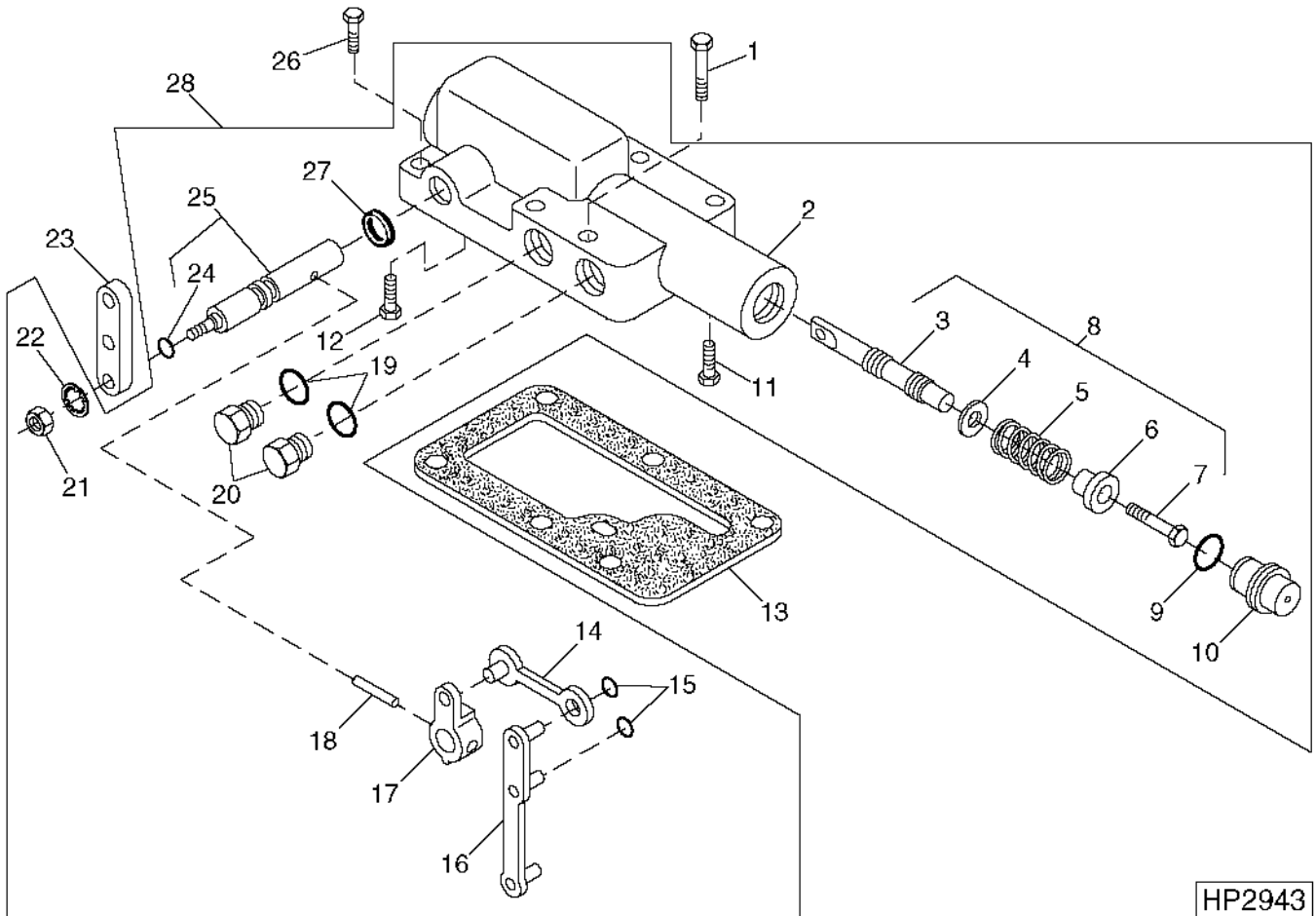
KEY	PART NO.	PART NAME	QTY	SERIAL NO.	9 5 9 5 5 0 5 S 0 H	REMARKS
1	DRIVE SHAFT	1		X X	
2	N126638	PIN	1		X X	
3	H63289	O-RING	1		X X	20.295 X 2.616 MM
4	U17409	O-RING	1		X X	26.619 X 2.946 MM
5	AN122498	RELIEF VALVE	1		X X	
6	HOUSING	1		X X	
7	N126601	BUSHING	1		X X	
8	NEEDLE BEARING	1		X X	
9	H135570	O-RING	1		X X	78.994 X 1.778 MM
10	SPACER	1		X X	
11	COVER	1		X X	
12	19H1875	CAP SCREW	2		X X	5/16" X 1-3/4"
13	SCREW	4		X X	
14	OIL PUMP	1		X X	
15	BALL BEARING	1		X X	
16	SNAP RING	2		X X	
17	P48347	O-RING	2		X X	
18	H171116	FILTER HEAD	1		X X	
19	19H3111	SCREW	2		X X	9.525 X 35.052 MM
20	R26448	O-RING	3		X X	11.887 X 1.981 MM
21	R27218	FITTING PLUG	1		X X	(2WD ONLY)
22	AH125760	HYD. QUICK-CONNECT COUPLER	1		X X	
23	R77175	COVER	1		X X	
24	AH128449	HYDRAULIC FILTER	1		X X	
25	E65288	O-RING	1		X X	
26	H63271	PIN	2		X X	
27	H135497	GASKET	1		X X	
28	AH165115	HYDRAULIC PUMP	1		X X	(75CC)
29	POPPET	1		X X	
30	SPRING	1		X X	
31	U12547	O-RING	1		X X	
32	PLUG	1		X X	
33	AH128929	SWITCH	1		X X	

MEMORANDA

2C19

HYDROSTATIC DRIVE DISPLACEMENT CONTROL VALVE

HP2943 -UN-13AUG99



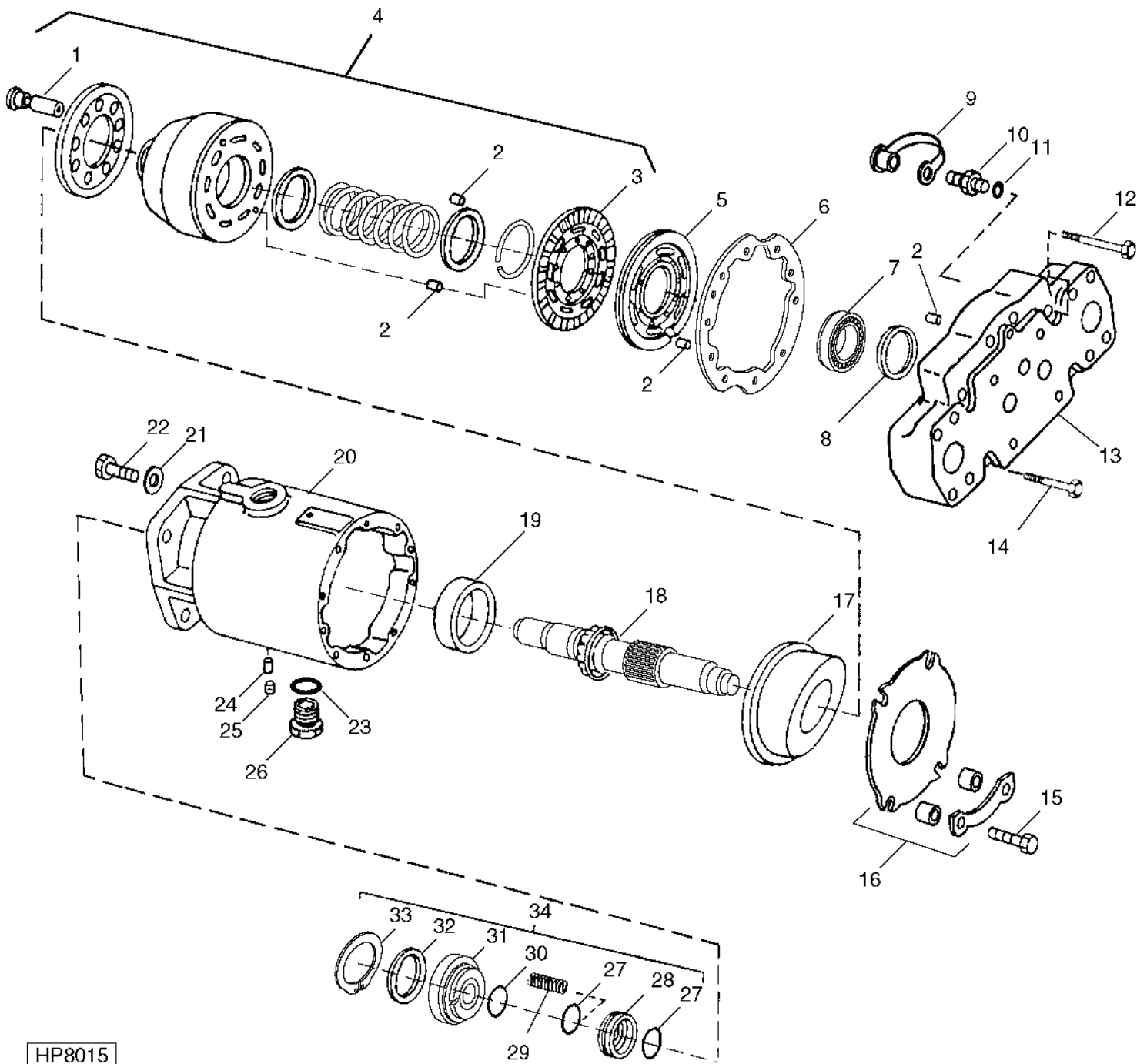
2C20

HYDROSTATIC DRIVE DISPLACEMENT CONTROL VALVE - CONTINUED

KEY	PART NO.	PART NAME	QTY	SERIAL NO.	0 H	REMARKS
					9	
					5	
					9 5	
					5 0	
					5 S	
					0 H	
1	19H1875	CAP SCREW	2		X X	5/16" X 1-3/4"
2	HOUSING	1		X X	
3	SPOOL	1		X X	
4	WASHER	1		X X	
5	SPRING	1		X X	
6	RETAINER	1		X X	
7	CAP SCREW	1		X X	
8	AH129284	KIT	1		X X	
9	R27166	O-RING	1		X X	15.596 X 1.778 MM
10	N126641	SCREW	1		X X	
11	AN122494	BOLT	1		X X	
12	AN122499	BOLT	1		X X	
13	N126586	GASKET	1		X X	
14	LINK	1		X X	
15	M48000	SNAP RING	2		X X	
16	LINK	1		X X	
17	CONNECTOR	1		X X	
18	34H311	SPRING PIN	1		X X	1/4" X 7/8"
19	R26448	O-RING	2		X X	11.887 X 1.981 MM
20	R27218	FITTING PLUG	2		X X	
21	14H785	NUT	1		X X	5/16"
22	12M7032	LOCK WASHER	1		X X	8.400 MM
23	H168988	LEVER	1		X X	
24	A3917R	O-RING	1		X X	9.246 X 1.778 MM
25	AN193084	SHAFT	1		X X	
26	19H1905	CAP SCREW	4		X X	5/16" X 1"
27	H136163	SEAL	1		X X	
28	AH131168	CONTROL VALVE	1		X X	

2C21

HYDROSTATIC DRIVE MOTOR
HP8015 -UN-03MAR99



HP8015

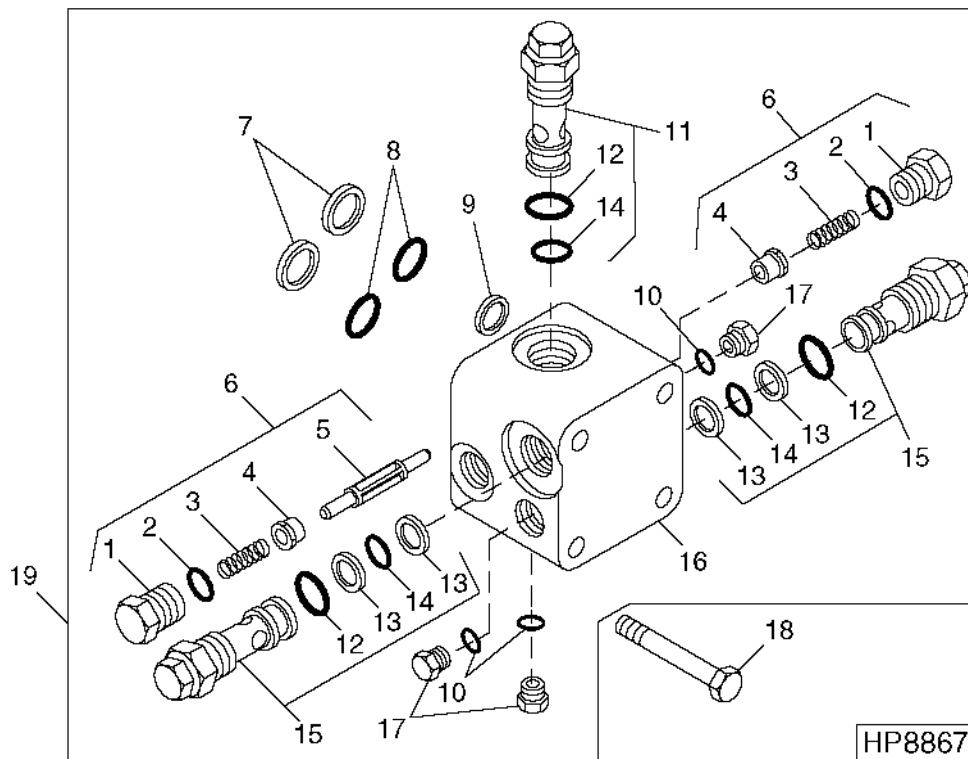
HYDROSTATIC DRIVE MOTOR - CONTINUED

KEY	PART NO.	PART NAME	QTY	SERIAL NO.	0 H	REMARKS
					9	
					5	
					9	
					5	
					0	
					5	
					S	
					0	
					H	
1	AH131169	PISTON	1		X X	
2	H63271	PIN	5		X X	
3	H135500	PLATE	1		X X	
4	AH131171	KIT	1		X X	
5	H135509	PLATE	1		X X	
6	H135508	GASKET	1		X X	
7	AN122507	ROLLER BEARING	1		X X	
8	AN122509	SHIM	1		X X	
9	R77175	COVER	2		X X	
10	AH125760	HYD. QUICK-CONNECT COUPLER	2		X X	
11	R26448	O-RING	2		X X	
12	19H1944	CAP SCREW	6		X X	3/8" X 2-3/4"
13	COVER	1		X X	
14	19H1800	CAP SCREW	2		X X	3/8" X 1-1/2"
15	19H3053	SCREW	4		X X	5/16" X 1"
16	AH131391	KIT	1		X X	
17	SWASH PLATE	1		X X	
18	AH133661	SHAFT	1		X X	
19	JD9113	BEARING CUP	1		X X	
20	HOUSING	1		X X	
21	H135571	SEALING WASHER	2		X X	
22	19H3192	SCREW	2		X X	
23	U12547	O-RING	1		X X	
24	H64813	DOWEL PIN	1		X X	
25	15H558	PIPE PLUG	1		X X	1/8"
26	R27175	DRAIN PLUG	1		X X	
27	N196034	O-RING	2		X X	
28	SEAL	1		X X	
29	N191174	SPRING	6		X X	
30	U15415	O-RING	1		X X	
31	SEAL	1		X X	
32	R112857	O-RING	1		X X	
33	N126612	SNAP RING	1		X X	
34	AN193085	SEAL KIT	1		X X	
..	AH131310	HYDRAULIC MOTOR	1		X X	(INCLUDES AH141811) 75CC REMANUFACTURED

2C23

HYDROSTATIC MOTOR VALVE

HP8867 -UN-27JUL99



9
5
9 5
5 0
5 S
0 H

KEY	PART NO.	PART NAME	QTY	SERIAL NO.	REMARKS
1	R27175	DRAIN PLUG	2	X X	
2	R26906	O-RING	2	X X	19.177 X 2.464 MM
3	SPRING	2	X X	
4	N126654	VALVE	2	X X	SHUTTLE
5	N128541	SPOOL	1	X X	SHUTTLE
6	AH131308	KIT	1	X X	
7	U40729	BACK-UP RING	2	X X	
8	N130510	O-RING	2	X X	21.895 X 2.616 MM
9	AN272356	SEAL KIT	1	X X	
10	R28782	O-RING	3	X X	8.915 X 1.829 MM
11	AN122497	RELIEF VALVE	1	X X	LOW PRESSURE
12	U17409	O-RING	3	X X	26.619 X 2.946 MM
13	H63288	RING	4	X X	
14	H63289	O-RING	3	X X	20.295 X 2.616 MM
15	AH131174	RELIEF VALVE	2	X X	HIGH PRESSURE
16	CASE	1	X X	
17	R51031	FITTING	3	X X	
18	19H2228	CAP SCREW	4	X X	3/8" X 4"
19	AH141811	VALVE	1	X X	

MEMORANDA

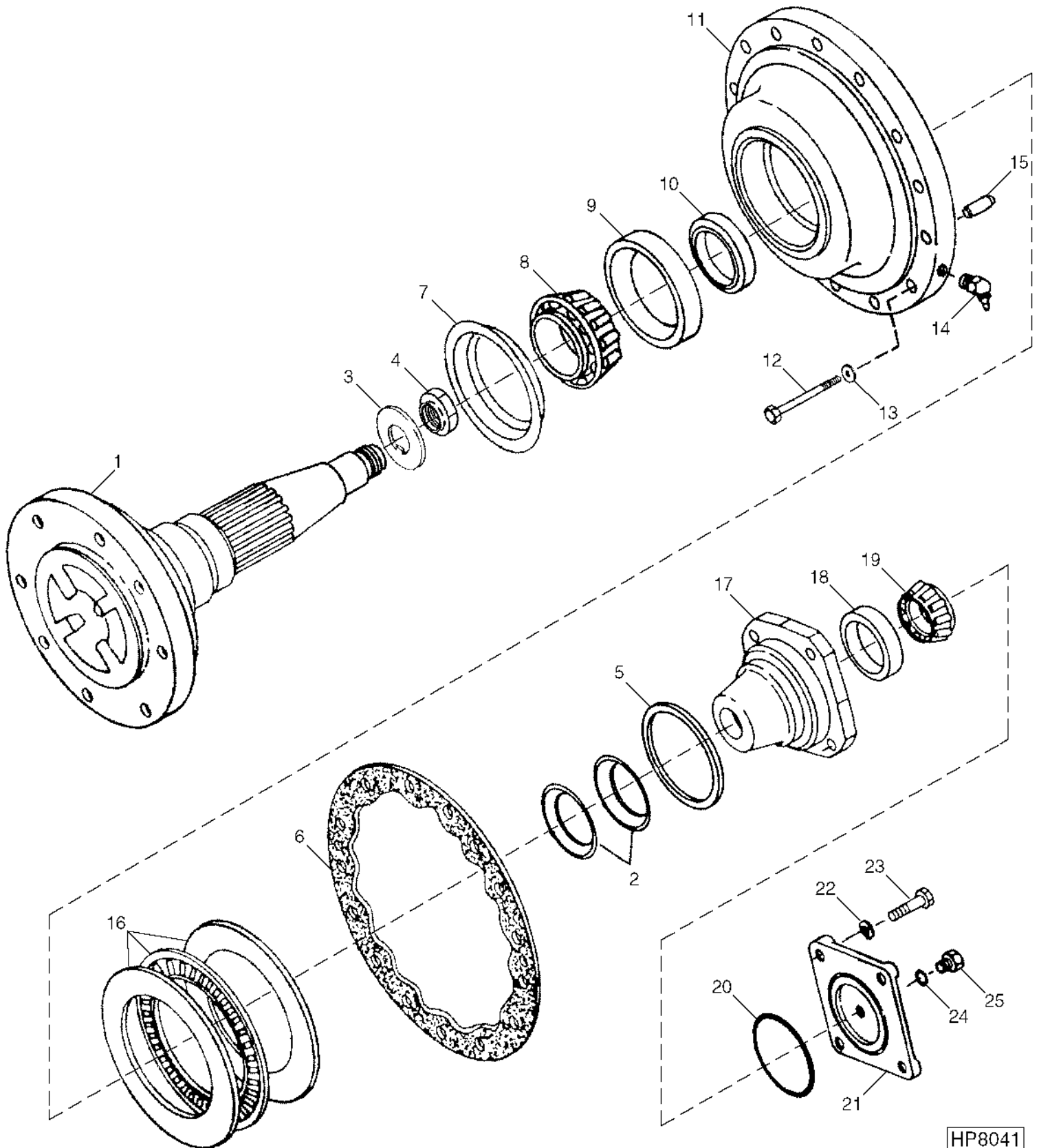
2C24

POWER TRAIN

SHAFT, COVERS, QUILL, BEARINGS AND SEALS

CAM LOBE MOTOR

HP8041 -UN-20NOV98



HP8041

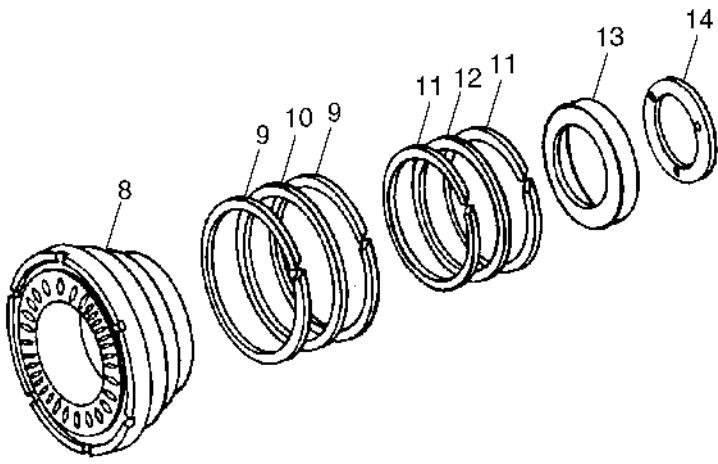
2C25

POWER TRAIN

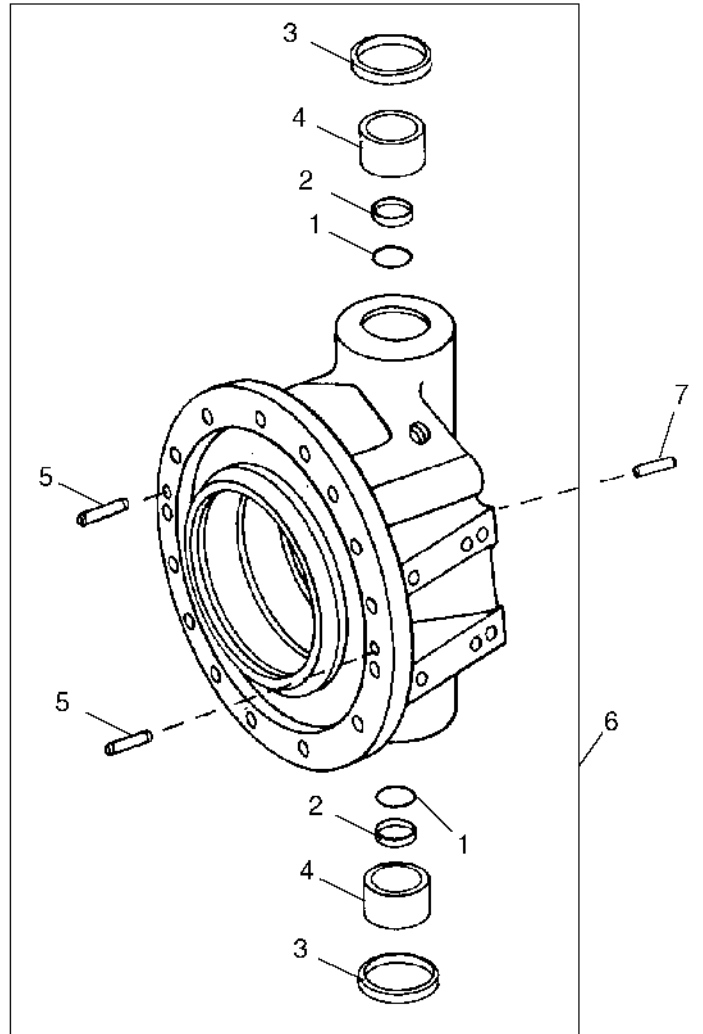
SHAFT, COVERS, QUILL, BEARINGS AND SEALS - CONTINUED
CAM LOBE MOTOR

KEY	PART NO.	PART NAME	QTY	SERIAL NO.	REMARKS
					9
					5
					9 5
					5 0
					5 S
					0 H
1	R111995	SPINDLE	1	X X	
	RE49243	SEAL	1	X X	
2	R85588	WASHER	2	X X	78.700 X 112 X 1.780 MM
3	R93180	WASHER	1	X X	
4	R92160	NUT	1	X X	
5	R39876	PACKING	1	X X	
6	R93142	GASKET	1	X X	
7	R57269	OIL CUP	1	X X	
8	JD10462	BEARING CONE	1	X X	
9	JD7448	BEARING CUP	1	X X	
10	RE32824	SEAL	1	X X	
11	R88829	COVER	1	X X	
12	R89610	CAP SCREW	15	X X	1/2" X 6"
13	R32214	WASHER	15	X X	13.106 X 22.225 X 2.286 MM
14	JD7847	LUBRICATION FITTING	1	X X	
15	R26650	DOWEL PIN	2	X X	
16	RE22642	THRUST BEARING	1	X X	
17	R92104	BEARING HOUSING W/O BEARING	1	X X	
18	JD9109	BEARING CUP	1	X X	
19	JD9043	BEARING CONE	1	X X	
20	E55758	O-RING	1	X X	113.970 X 2.616 MM
21	R100727	COVER	1	X X	
22	R69536	WASHER	6	X X	10.500 X 18.500 X 3 MM
23	19H3065	CAP SCREW	6	X X	3/8" X 2"
24	R28782	O-RING	1	X X	8.915 X 1.829 MM
25	R51031	FITTING	1	X X	
..	RE33336	MOTOR	1	X X	(1200CC) R.H.
..	RE33337	MOTOR	1	X X	(1200CC) L.H.
..	RE33338	MOTOR	1	X X	(1600CC) R.H.
..	RE33339	MOTOR	1	X X	(1600CC) L.H.

INNER COVER, MANIFOLD AND PACKING
HP8043 -UN-29JUL99



HP8043



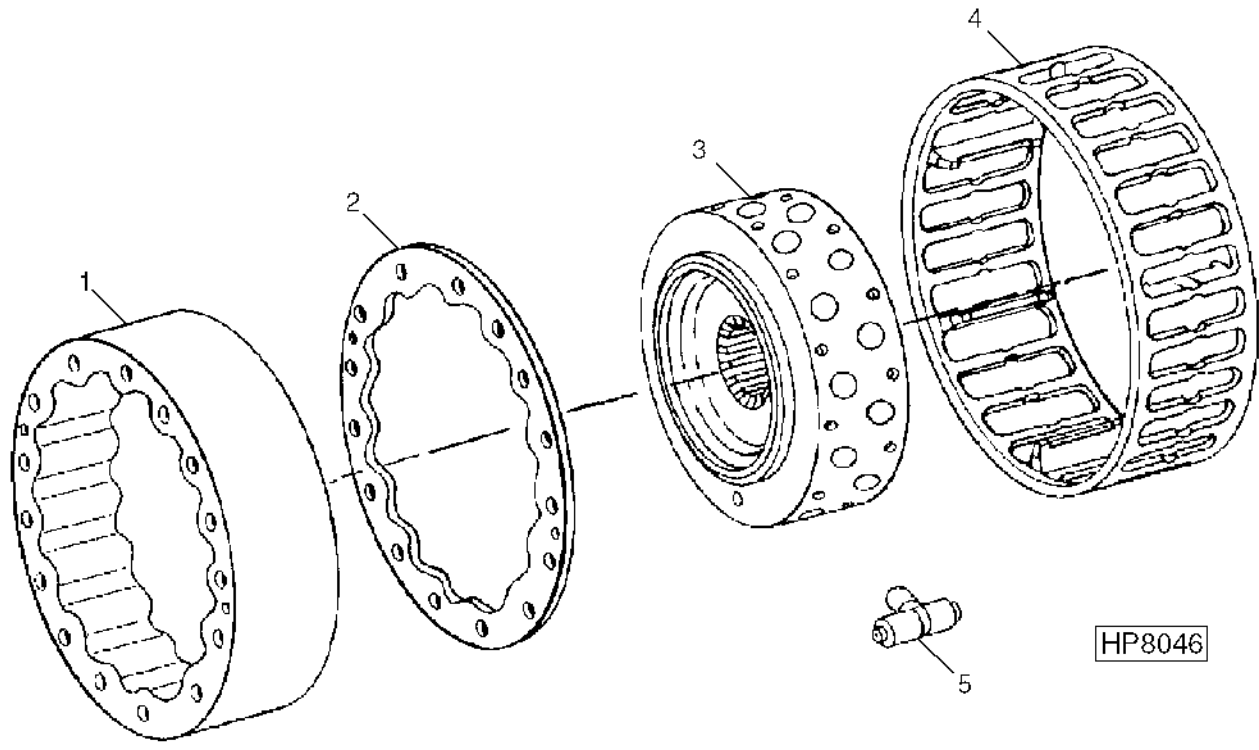
INNER COVER, MANIFOLD AND PACKING - CONTINUED

KEY	PART NO.	PART NAME	QTY	SERIAL NO.	0 H	REMARKS
					9	
					5	
					9 5	
					5 0	
					5 S	
					0 H	
1	U11647	O-RING	2		X X	21.819 X 3.531 MM
2	R73102	WASHER	2		X X	22.300 X 28.300 X 1.270 MM
3	AR86539	SEAL	2		X X	
4	R68102	BUSHING	2		X X	
5	R26650	DOWEL PIN	2		X X	
6	RE39131	COVER	1		X X	(MARKED R93105)
7	R71711	DOWEL PIN	1		X X	6.337 X 29 MM
8	R99377	MANIFOLD	1		X X	
9	R74690	BACK-UP RING	2		X X	
10	R74696	WASHER	1		X X	
11	R74689	BACK-UP RING	2		X X	
12	R74697	WASHER	1		X X	
13	R74693	PACKING	1		X X	(ALSO ORDER R74694)
14	R74694	BACK-UP RING	1		X X	(ALSO ORDER R74693)
..	RE33336	MOTOR	1		X X	(1200CC) R.H.
..	RE33337	MOTOR	1		X X	(1200CC) L.H.
..	RE33338	MOTOR	1		X X	(1600CC) R.H.
..	RE33339	MOTOR	1		X X	(1600CC) L.H.

2D3

POWER TRAIN

CARRIER, PISTONS AND CAM
HP8046 -UN-20NOV98



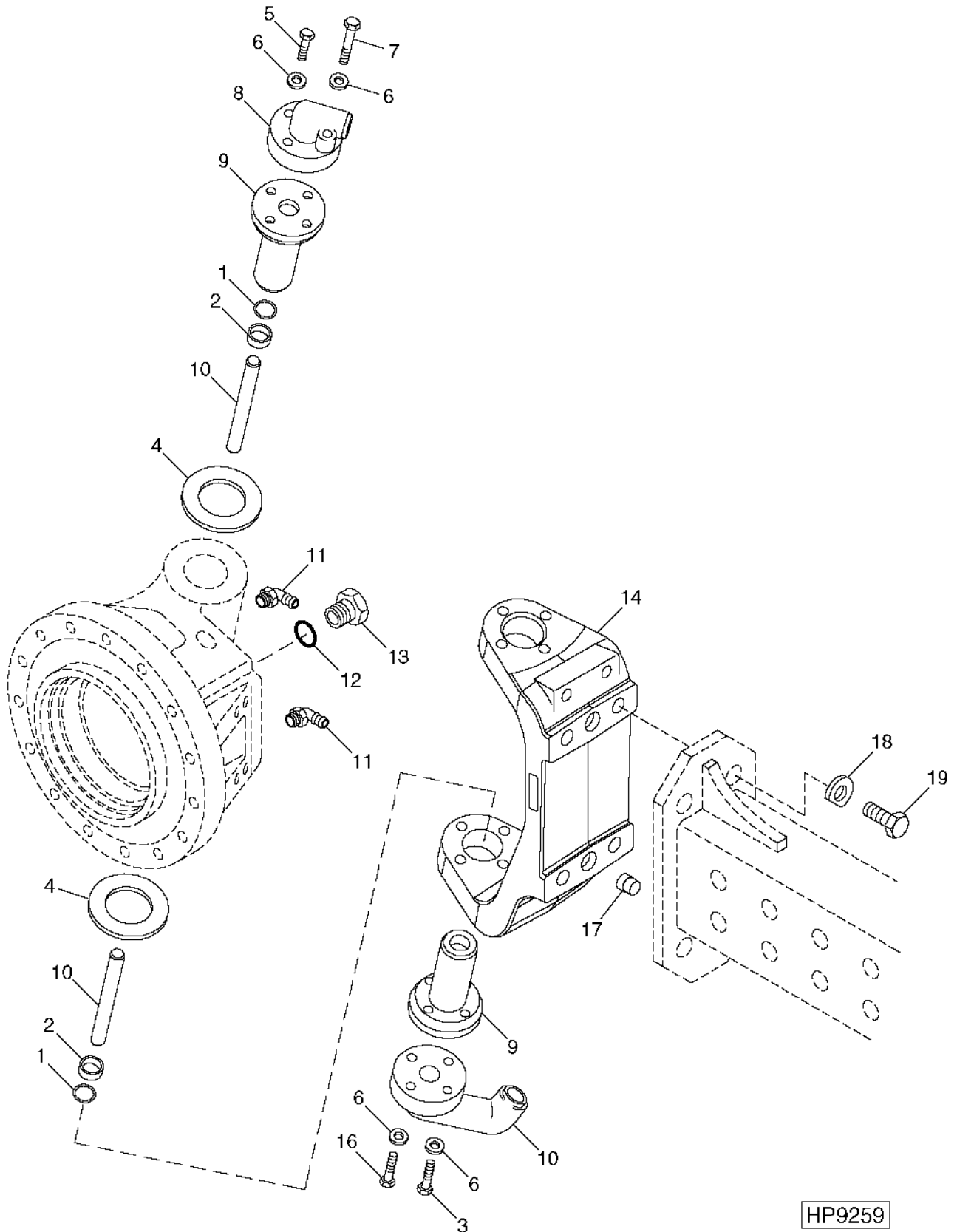
KEY	PART NO.	PART NAME	QTY	SERIAL NO.	9 5 9 5 5 0 5 S 0 H	REMARKS
1	R92148	CAM	1		X X	
2	R93142	GASKET	1		X X	
3	R88959	HYD. MOTOR PISTON CARRIER	1		X X	(A)
	R88960	PLANET PINION CARRIER	1		X X	(B)
4	R92979	GUIDE	1		X X	(A)
	R89012	GUIDE	1		X X	(B)
5	RE27837	HYD. MOTOR PISTON CARRIER	18		X X	(A)
	RE27837	HYD. MOTOR PISTON CARRIER	24		X X	(B)

(A) 1200CC
(B) 1600CC

MEMORANDA

2D4

YOKE, PIVOTS AND CAPS
HP9259 -UN-12NOV99



HP9259

2D5

POWER TRAIN

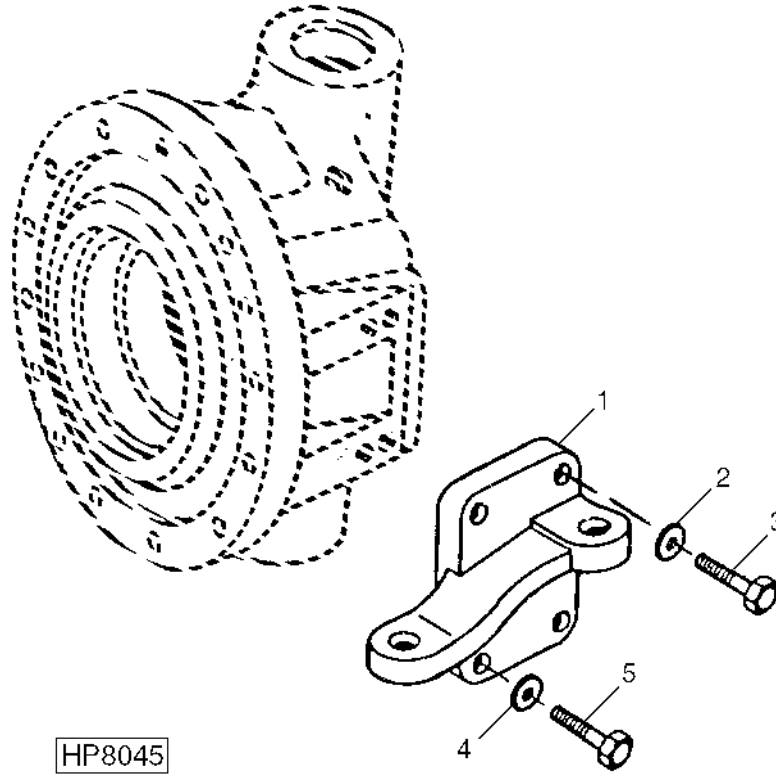
YOKE, PIVOTS AND CAPS - CONTINUED

KEY	PART NO.	PART NAME	QTY	SERIAL NO.	0 H	REMARKS
					9	
					5	
					9 5	
					5 0	
					5 S	
					0 H	
1	U11647	O-RING	2		X X	21.819 X 3.531 MM
2	R73102	WASHER	2		X X	22.300 X 28.300 X 1.270 MM
3	19H3031	CAP SCREW	2		X X	3/8" X 2-1/2"
4	R60239	THRUST WASHER	2		X X	51.500 X 101.500 X 3.040 MM
5	19H3267	CAP SCREW	2		X X	3/8" X 1-5/8"
6	R53668	THRUST WASHER	8		X X	9.525 MM
7	19H2855	CAP SCREW	2		X X	3/8" X 3-1/4"
8	R85374	CAP	1		X X	
9	R85376	PIN	2		X X	
10	R85378	TUBE	2		X X	
11	JD7799	LUBRICATION FITTING	3		X X	65° X 0.840" LONG
12	R26375	O-RING	1		X X	16.358 X 2.210 MM
13	R39112	FITTING	1		X X	
14	R89015	YOKE	1		X X	
15	R85373	CAP	1		X X	
16	19H3267	CAP SCREW	2		X X	3/8" X 1-5/8"
17	H75423	PIN	4		X X	
18	H166431	WASHER	8		X X	(SUB H174025)
	H174025	SPACER	8		X X	
19	19M8002	CAP SCREW	8		X X	M20 X 55

2D6

STEERING ARMS

HP8045 -UN-20NOV98



HP8045

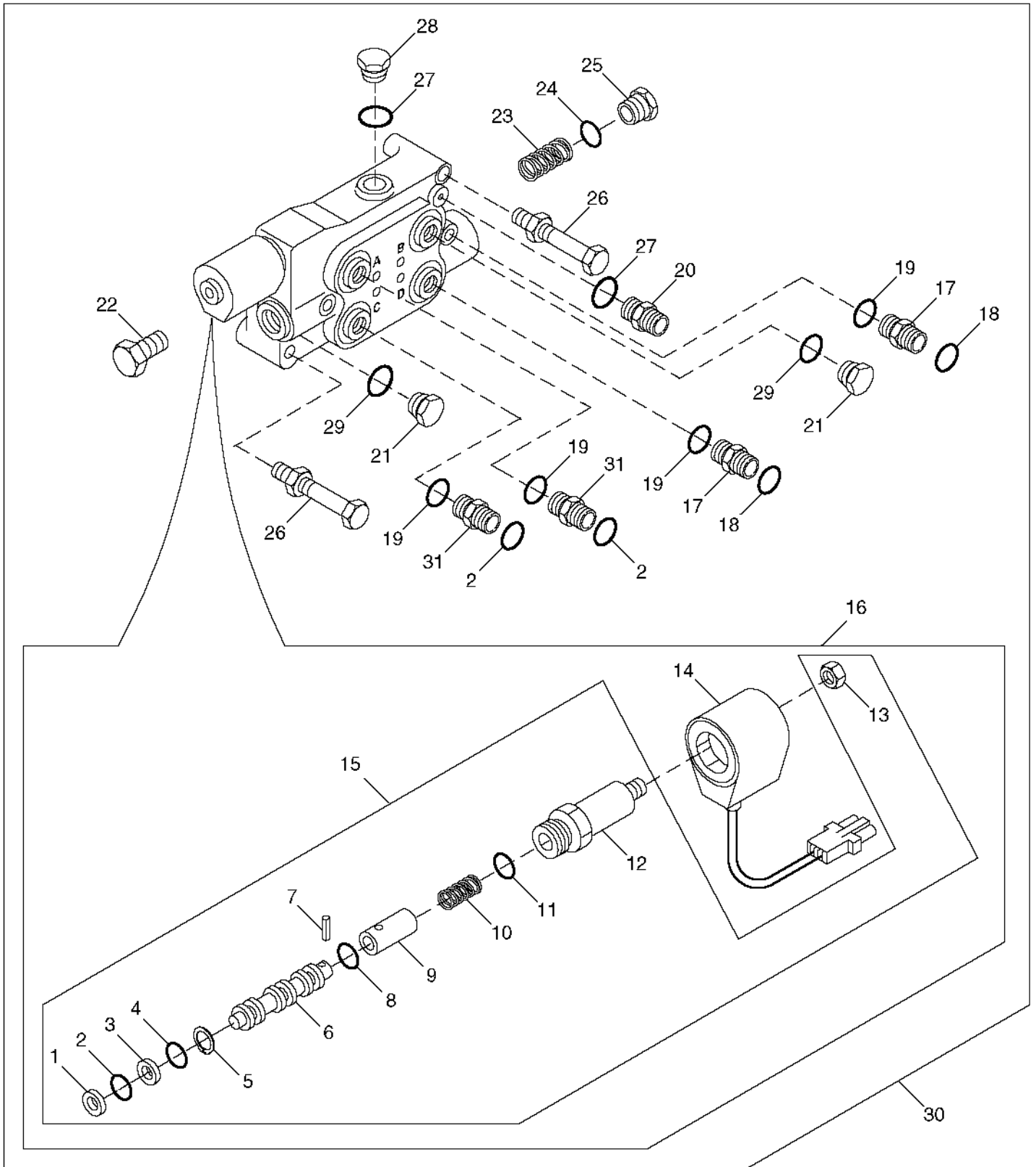
9
5
9 5
5 0
5 S
0 H

KEY	PART NO.	PART NAME	QTY	SERIAL NO.	REMARKS
1	R92977	STEERING ARM	1	X X	L.H.
	R92978	STEERING ARM	1	X X	R.H.
2	U41353	WASHER	2	X X	16.662 X 25.400 X 1.524 MM
3	19H2710	CAP SCREW	2	X X	5/8" X 1-3/4"
4	R32214	WASHER	2	X X	13.106 X 22.225 X 2.286 MM
5	19H2993	CAP SCREW	2	X X	1/2" X 1-1/2"

MEMORANDA

2D7

CONTROL VALVE
HP8031 -UN-12FEB99



HP8031

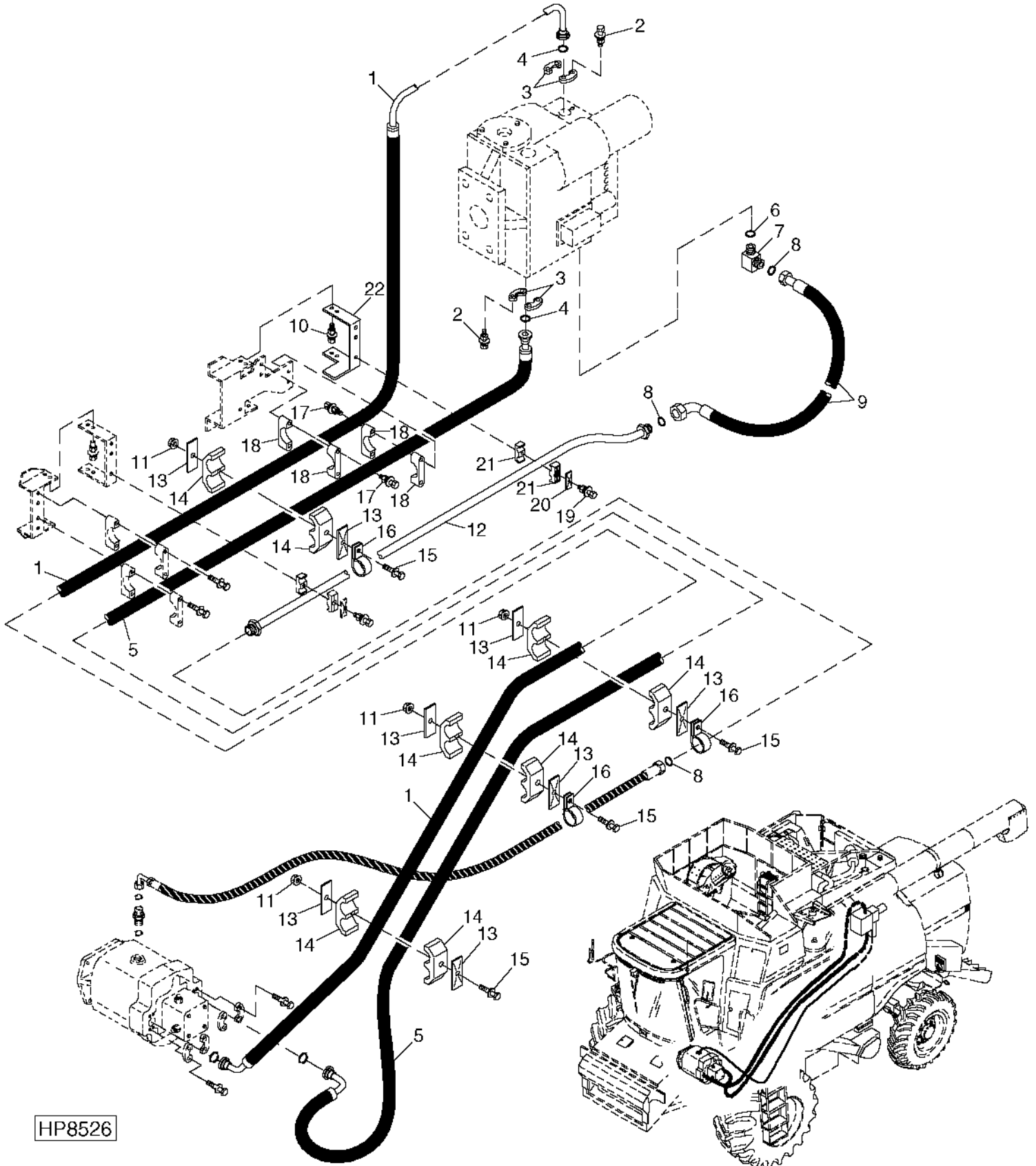
CONTROL VALVE - CONTINUED

KEY	PART NO.	PART NAME	QTY	SERIAL NO.	REMARKS
					9
					5
					9 5
					5 0
					5 S
					0 H
1	R42926	BACK-UP RING	1		X X
2	T77857	O-RING	3		X X 12.421 X 1.778 MM
3	R45187	BACK-UP RING	1		X X
4	R45638	O-RING	1		X X 15.596 X 1.778 MM
5	R46701	SNAP RING	1		X X
6	VALVE SPOOL	1		X X
7	34H227	SPRING PIN	1		X X 2.388 X 12.700 MM
8	N31772	O-RING	1		X X 18.771 X 1.778 MM
9	PLUNGER	1		X X
10	R64698	SPRING	1		X X
11	U12547	O-RING	1		X X 23.470 X 2.946 MM
12	GUIDE	1		X X
13	M63707	LOCK NUT	1		X X 6.350 MM
14	AH128654	ELECTRICAL COIL	1		X X
	R78053	PIN CONTACT CONNECTOR BODY	1		X X (PKG OF 3)
	R78059	ELECTRICAL PLUG	1		X X (PKG OF 40)
	R78061	PIN CONTACT	1		X X (PKG OF 40)
15	AH130949	SOLENOID VALVE	1		X X
16	AH128655	SOLENOID VALVE	1		X X
17	38H1329	ADAPTER	2		X X PORTS B AND D
18	T77932	O-RING	4		X X 15.596 X 1.778 MM
19	U12547	O-RING	5		X X 23.470 X 2.946 MM
20	38H1168	ADAPTER	1		X X
21	R51031	FITTING	2		X X
22	AU40993	FITTING	1		X X
23	R45182	SPRING	1		X X
24	R31674	O-RING	1		X X 25.070 X 2.616 MM
25	AH84695	FITTING	1		X X
26	19M7803	SCREW	3		X X M8 X 70
	14M7298	FLANGE NUT	3		X X M8
27	R26448	O-RING	2		X X 11.887 X 1.981 MM
28	R27218	FITTING PLUG	1		X X
29	R28782	O-RING	2		X X 8.915 X 1.829 MM
30	AH128672	VALVE	1		X X CONTROL WITH SOLENOID
31	38H1175	ADAPTER	2		X X PORTS A AND C
..	BH81623	COMPLETE GOODS/SHIP. BUNDLE	1		X X POWER VALVE ASSEMBLY AND AXLE HOSES

2D9

HYDROSTATIC DRIVE OIL LINES AND HOSES, LOWER (TWO WHEEL DRIVE)

HP8526 -UN-14JUL99



HP8526

2D10

POWER TRAIN

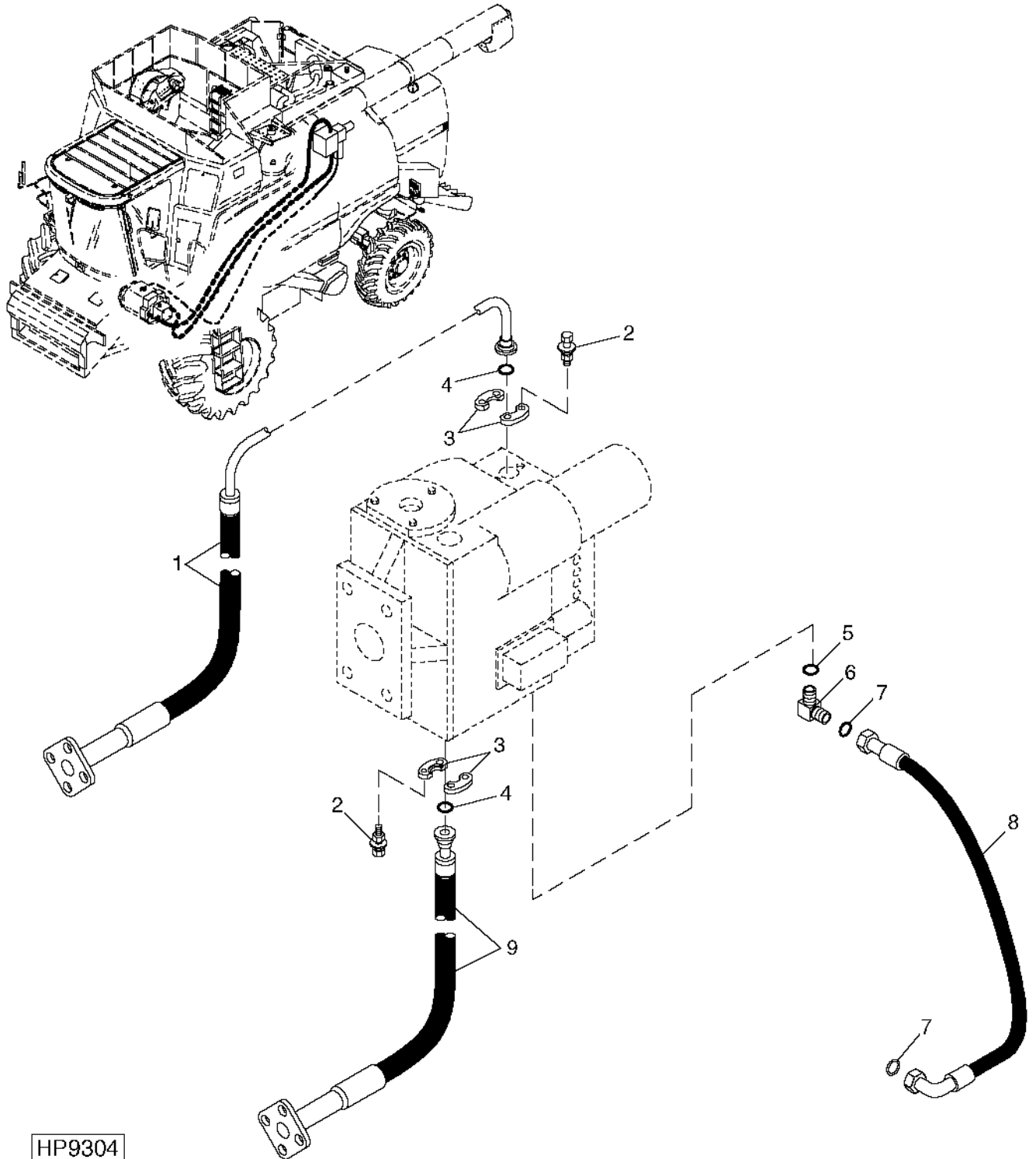
**HYDROSTATIC DRIVE OIL LINES AND HOSES, LOWER - CONTINUED
(TWO WHEEL DRIVE)**

KEY	PART NO.	PART NAME	QTY	SERIAL NO.	9 5 9 5 5 0 5 S 0 H	REMARKS
1	AH143035	HYDRAULIC HOSE	1		X X	1" X 5 000 MM X 1", (REVERSE PRESSURE)
2	19H1740	CAP SCREW	8		X X	7/16" X 1-3/4"
	12H293	LOCK WASHER	8		X X	7/16"
3	H122182	EXTERNAL HALF COUPLER	4		X X	
4	T78313	O-RING	2		X X	32.918 X 3.531 MM
5	AH143352	HYDRAULIC HOSE	1		X X	1" X 5 175 MM X 1", (FORWARD PRESSURE)
6	U12547	O-RING	1		X X	0.924" X 0.116"
7	38H1007	ELBOW FITTING	1		X X	
8	T77858	O-RING	3		X X	18.771 X 1.778 MM
9	AH124008	HYDRAULIC HOSE	1		X X	1-3/16" X 725 MM X 1-3/16", (UPPER DRAIN HOSE)
10	19M7866	SCREW	4		X X	M8 X 20
	14M7396	LOCK NUT	4		X X	M8
11	14M7298	FLANGE NUT	4		X X	M8
12	AH152743	LINE	1		X X	
13	H114901	PLATE	8		X X	
14	H150222	HOSE CLAMP	8		X X	
15	19M7970	SCREW	4		X X	M8 X 100
16	T72393	CLAMP	3		X X	
17	19M8039	SCREW	4		X X	M8 X 80
	14M7298	FLANGE NUT	4		X X	M8
18	H150223	HOSE CLAMP	4		X X	
19	19M7979	SCREW	1		X X	M8 X 55
	14M7298	FLANGE NUT	1		X X	M8
20	H112567	PLATE	1		X X	
21	H111730	CLAMP	2		X X	
22	H133659	BRACKET	1		X X	

2D11

**HYDROSTATIC DRIVE HOSES, UPPER
(FOUR WHEEL DRIVE)**

HP9304 -UN-23NOV99



HP9304

2D12

POWER TRAIN

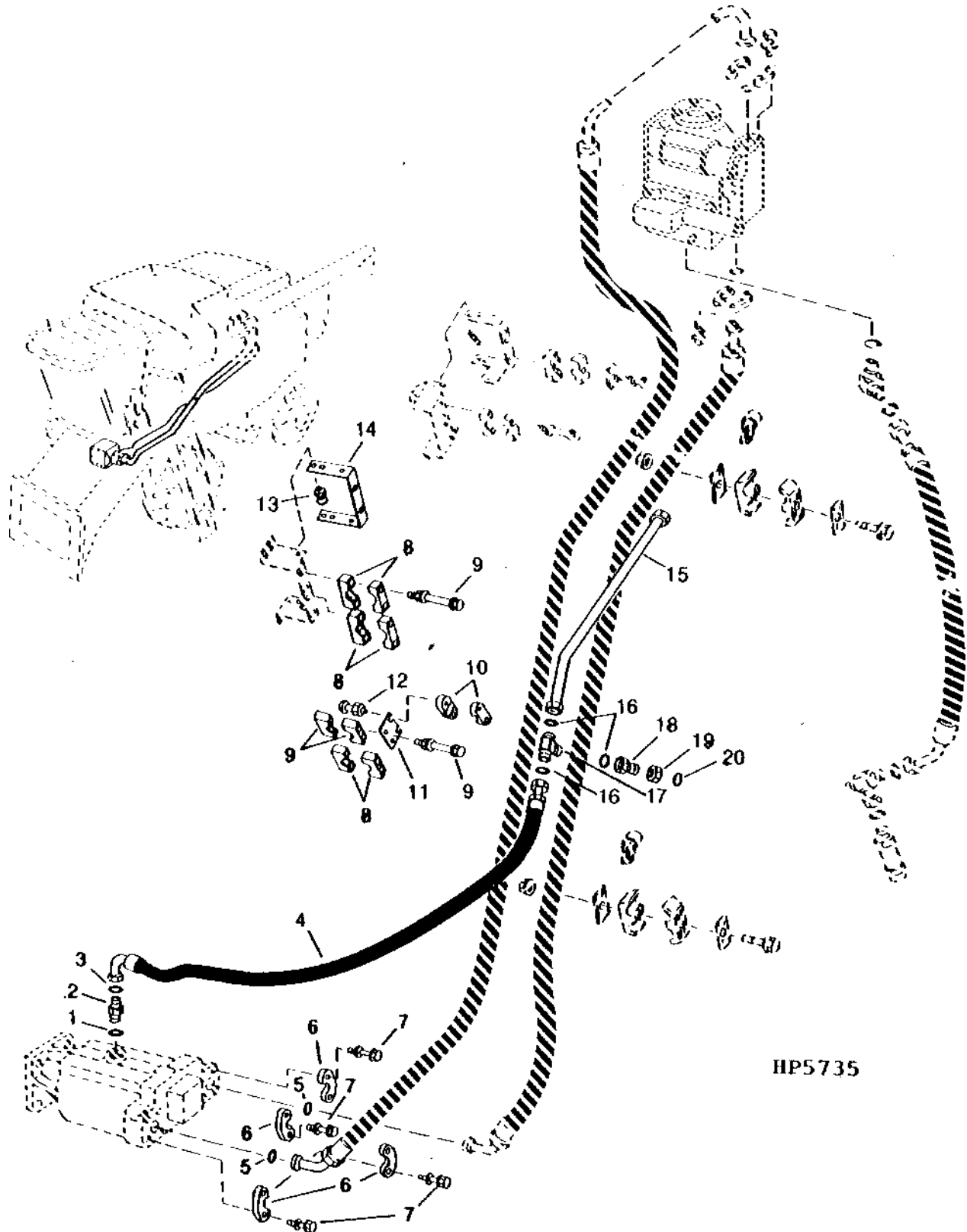
**HYDROSTATIC DRIVE HOSES, UPPER - CONTINUED
(FOUR WHEEL DRIVE)**

KEY	PART NO.	PART NAME	QTY	SERIAL NO.	REMARKS
					9 5 9 5 5 0 5 S 0 H
1	AH144192	HYDRAULIC HOSE	1	X X	1" X 975 MM X 1"
2	19H1740	CAP SCREW	8	X X	7/16" X 1-3/4"
	12H293	LOCK WASHER	8	X X	7/16"
3	H122182	EXTERNAL HALF COUPLER	4	X X	
4	T78313	O-RING	2	X X	32.918 X 3.531 MM
5	U12547	O-RING	1	X X	23.470 X 2.946 MM
6	38H1007	ELBOW FITTING	1	X X	
7	T77858	O-RING	2	X X	18.771 X 1.778 MM
8	AH124008	HYDRAULIC HOSE	1	X X	1-3/16" X 725 MM X 1-3/16" (UPPER CASE DRAIN)
9	AH141544	HYDRAULIC HOSE	1	X X	1-7/16" X 700 MM X 1-7/16" (PRESSURE)(FOR POWERED REAR WHEELS)
..	BH81286	COMPLETE GOODS/SHIP. BUNDLE	1	X X	FOUR WHEEL DRIVE CONVERSION

2D13

POWER TRAIN

HYDROSTATIC DRIVE OIL LINES AND HOSES, LOWER
(SIDEHILL TWO WHEEL DRIVE)
HP5735 -UN-01JAN94



HP5735

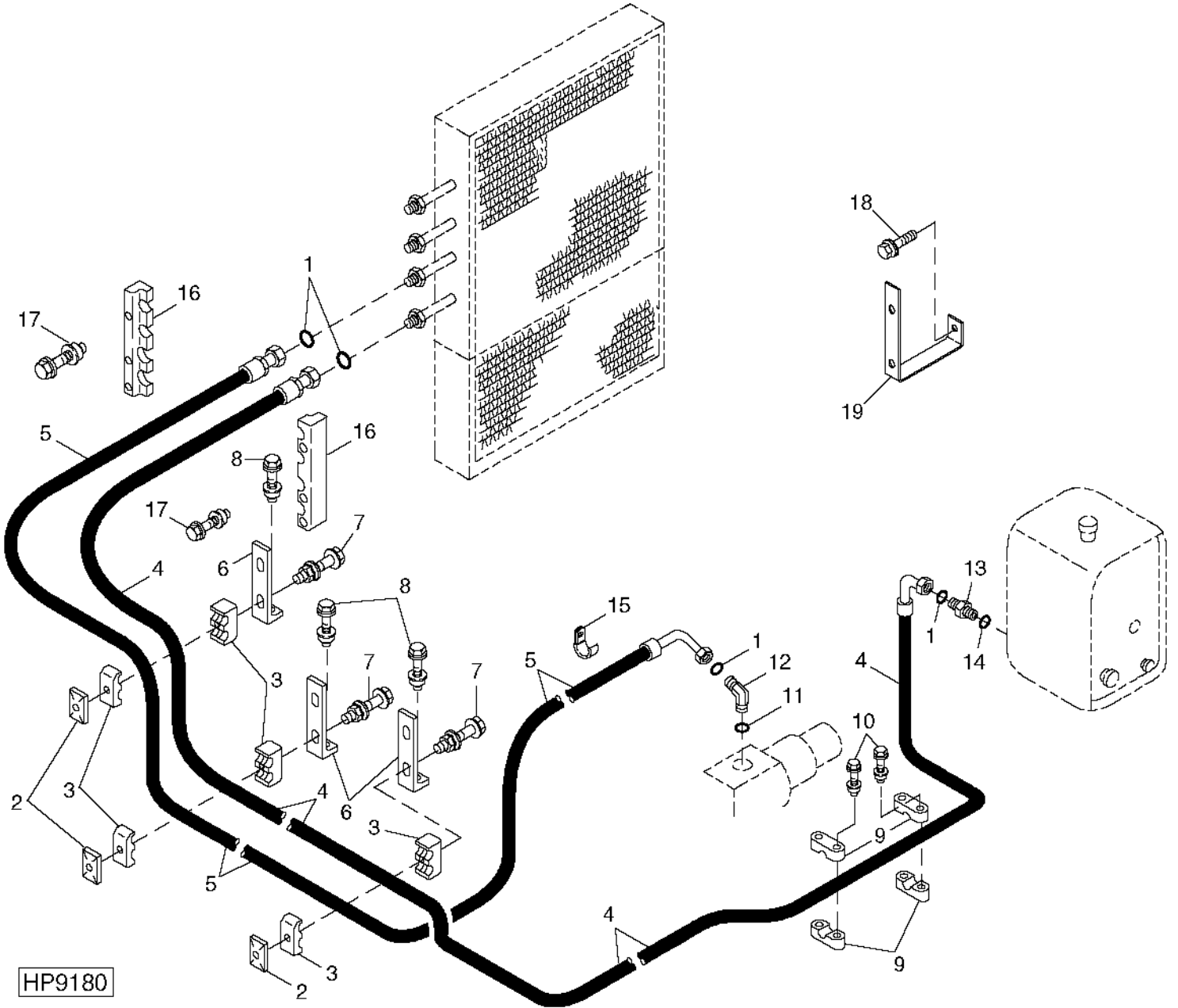
**HYDROSTATIC DRIVE OIL LINES AND HOSES, LOWER - CONTINUED
(SIDEHILL - TWO WHEEL DRIVE)**

KEY	PART NO.	PART NAME	QTY	SERIAL NO.	0 H	REMARKS
					9	
					5	
					9 5	
					5 0	
					5 S	
					0 H	
1	U12547	O-RING	1		X	23.470 X 2.946 MM (0.924" X 0.116")
2	38H1163	ADAPTER	1		X	
3	T77858	O-RING	4		X	18.771 X 1.778 MM (0.739" X 0.070")
4	AH145689	HYDRAULIC HOSE	1		X	1-3/16" X 1 180 MM (46-1/2") X 1-3/16" (CASE DRAIN)
5	T78313	O-RING	2		X	32.918 X 3.531 MM (1.296" X 0.139")
6	H122182	EXTERNAL HALF COUPLER	4		X	
7	19H1740	CAP SCREW	8		X	7/16" X 1-3/4"
	12H293	LOCK WASHER	8		X	7/16"
8	H150223	HOSE CLAMP	12		X	
9	19M8039	SCREW	12		X	M8 X 80
	14M7396	LOCK NUT	12		X	M8
10	H114876	CLAMP	2		X	
11	H131155	BRACKET	1		X	
12	03M7216	BOLT	2		X	M8 X 50
	14M7298	FLANGE NUT	2		X	M8
13	03M7184	BOLT	8		X	M8 X 20
	14M7396	LOCK NUT	8		X	M8
14	H131115	BRACKET	1		X	
15	AH137622	OIL LINE	1		X	
16	T77858	O-RING	3		X	18.771 X 1.778 MM (0.739" X 0.070")
17	38H1208	TEE FITTING	1		X	
18	38H1473	REDUCER	1		X	
19	38H1356	TUBE NUT	1		X	
20	T77613	O-RING	1		X	9.246 X 1.778 MM (0.364" X 0.070")

2D15

HYDROSTATIC OIL COOLER LINES AND HOSES

HP9180 -UN-13OCT99



2D16

POWER TRAIN

HYDROSTATIC OIL COOLER LINES AND HOSES - CONTINUED

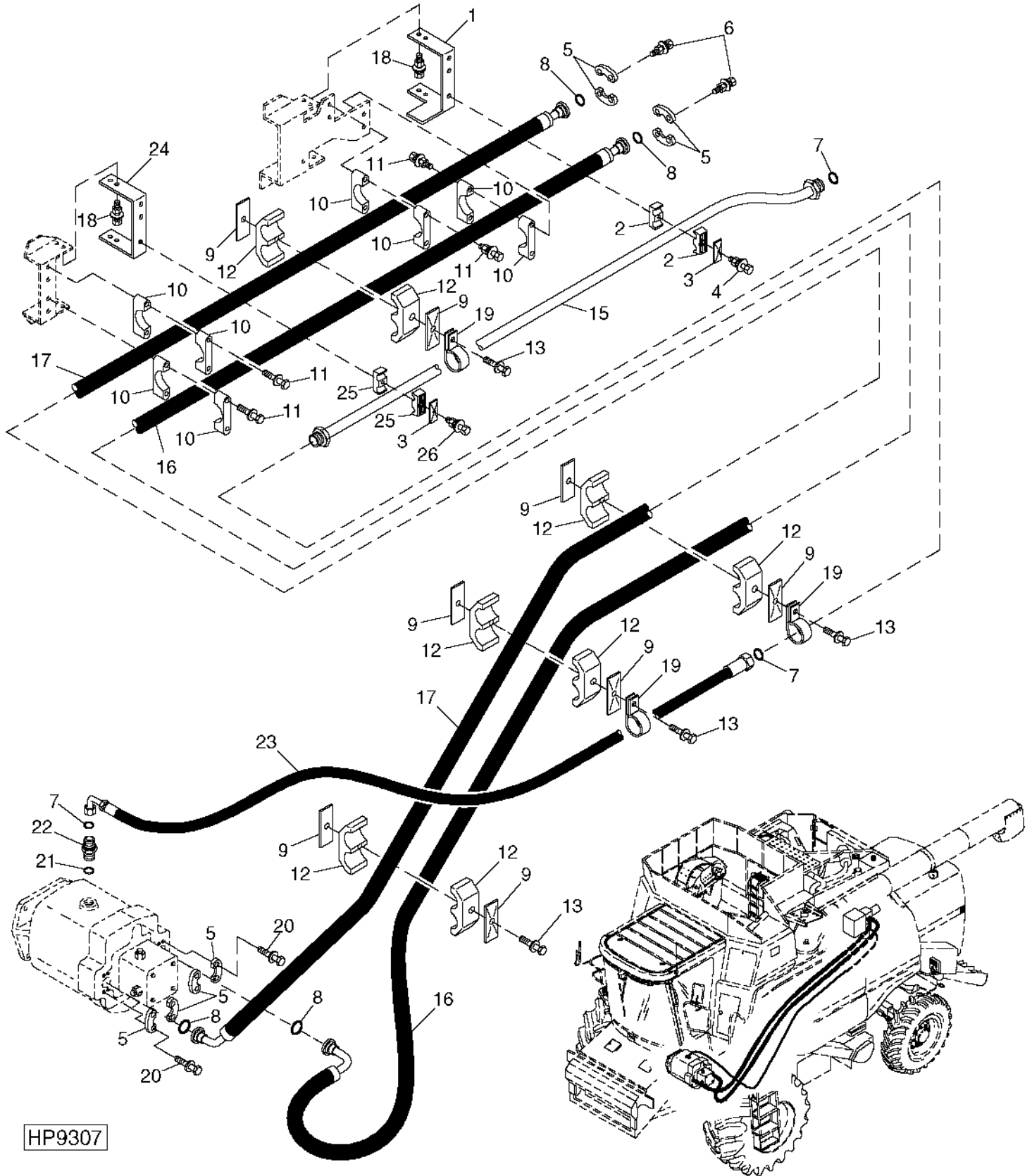
KEY	PART NO.	PART NAME	QTY	SERIAL NO.	0 H	REMARKS
					9	
					5	
					9 5	
					5 0	
					5 S	
					0 H	
1	T77858	O-RING	4		X X	18.771 X 1.778 MM
2	H114901	PLATE	3		X X	
3	H150982	CLAMP	6		X X	
4	AH145235	HYDRAULIC HOSE	1		X X	IN
5	AH145237	HYDRAULIC HOSE	1		X X	OUT
6	H150980	BRACKET	3		X X	
7	19M8039	SCREW	3		X X	M8 X 80
	14M7298	FLANGE NUT	3		X X	M8
8	19M7866	SCREW	3		X X	M8 X 20
	14M7298	FLANGE NUT	3		X X	M8
9	H145247	HALF CLAMP	4		X X	
10	19M7801	SCREW	4		X X	M8 X 60
	14M7298	FLANGE NUT	4		X X	M8
11	U12547	O-RING	1		X X	23.470 X 2.946 MM
12	38H1163	ADAPTER	1		X X	
13	38H1194	ADAPTER	1		X X	
14	R29936	O-RING	1		X X	29.743 X 2.946 MM
15	AH90990	CLIP	1		X X	
16	H151585	CLAMP	2		X X	
17	19M8318	SCREW	6		X X	M8 X 45
	14M7298	FLANGE NUT	6		X X	M8
18	N14822	SELF-LOCKING SCREW	1		X X	
19	H163211	BRACKET	1		X X	

2D17

HYDROSTATIC DRIVE OIL LINES AND HOSES, LOWER

(FOUR WHEEL DRIVE)

HP9307 -UN-22NOV99



HP9307

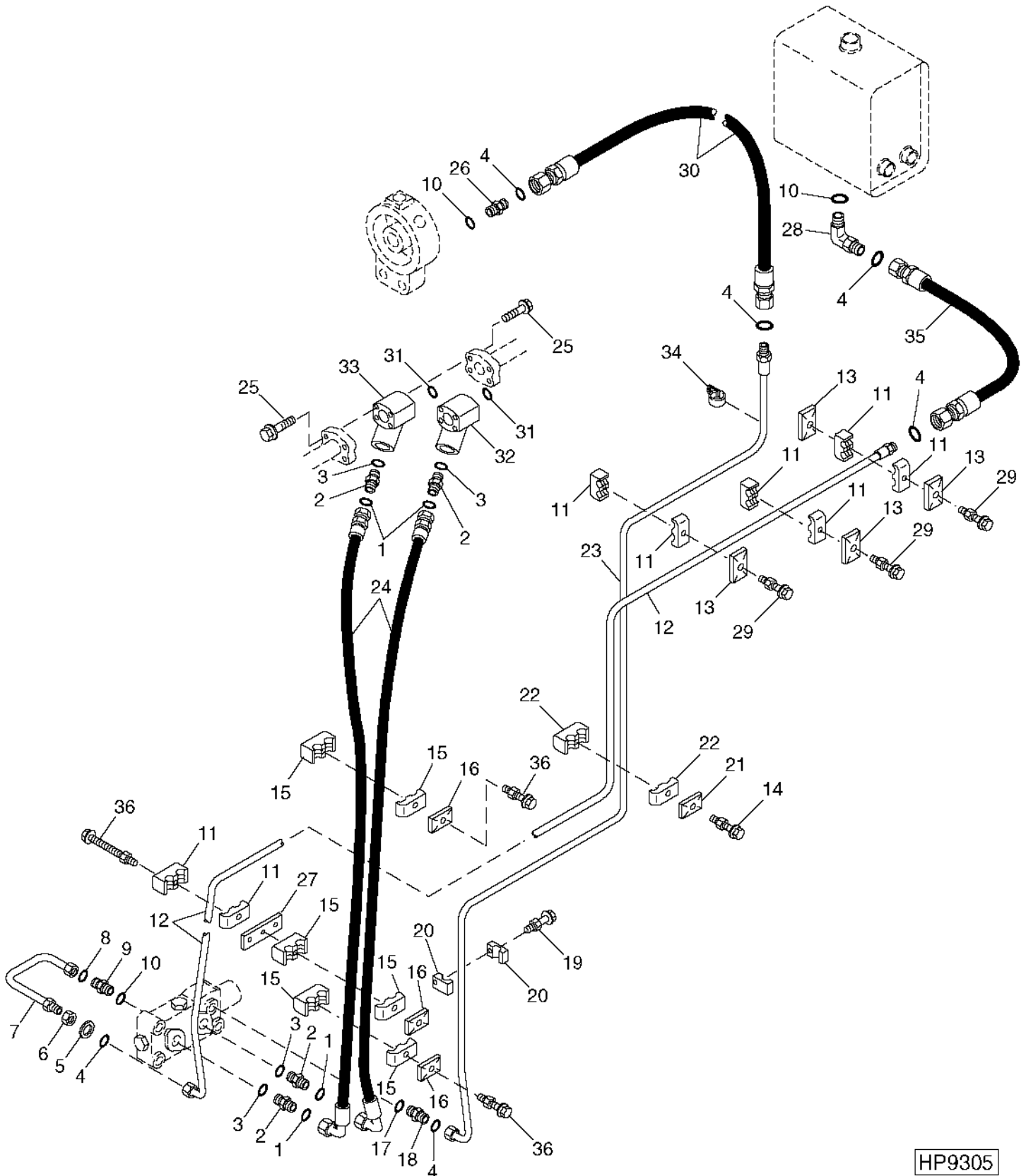
**HYDROSTATIC DRIVE OIL LINES AND HOSES, LOWER - CONTINUED
(FOUR WHEEL DRIVE)**

KEY	PART NO.	PART NAME	QTY	SERIAL NO.	9 5 9 5 5 0 5 S 0 H	REMARKS
1	H133659	BRACKET	1		X X	
2	H111730	CLAMP	2		X X	
3	H112567	PLATE	2		X X	
4	19M7979	SCREW	1		X X	M8 X 55
	14M7298	FLANGE NUT	1		X X	M8
5	H122182	EXTERNAL HALF COUPLER	8		X X	
6	19M8162	CAP SCREW	8		X X	M10 X 40
7	T77858	O-RING	3		X X	
8	T78313	O-RING	4		X X	
9	H114901	PLATE	8		X X	
10	H150223	HOSE CLAMP	8		X X	
11	19M8039	SCREW	8		X X	M8 X 80
	14M7298	FLANGE NUT	8		X X	M8
12	H150222	HOSE CLAMP	8		X X	
13	19M7970	SCREW	4		X X	M8 X 100
14	14M7298	FLANGE NUT	4		X X	M8
15	AH152743	LINE	1		X X	
16	AH143353	HYDRAULIC HOSE	1		X X	1" X 4 375 MM X 1", FORWARD PRESSURE
17	AH142758	HYDRAULIC HOSE	1		X X	1" X 3 875 MM X 1", REVERSE PRESSURE
18	19M7866	SCREW	8		X X	M8 X 20
	14M7396	LOCK NUT	8		X X	M8
19	T72393	CLAMP	3		X X	
20	19H1740	CAP SCREW	8		X X	7/16" X 1-3/4"
	12H293	LOCK WASHER	8		X X	7/16"
21	U12547	O-RING	1		X X	0.924" X 0.116"
22	38H1163	ADAPTER	1		X X	
23	AH142611	HYDRAULIC HOSE	1		X	1-3/16" X 75-3/4" X 1-3/16" (CASE DRAIN)
24	H131115	BRACKET	1		X X	
25	H114897	CLAMP	2		X X	
26	19M7913	SCREW	1		X X	M8 X 90
	14M7298	FLANGE NUT	1		X X	M8

2D19

4-WHEEL DRIVE HYDRAULIC LINES AND HOSES, L.H. SIDE

HP9305 -UN-23NOV99



HP9305

2D20

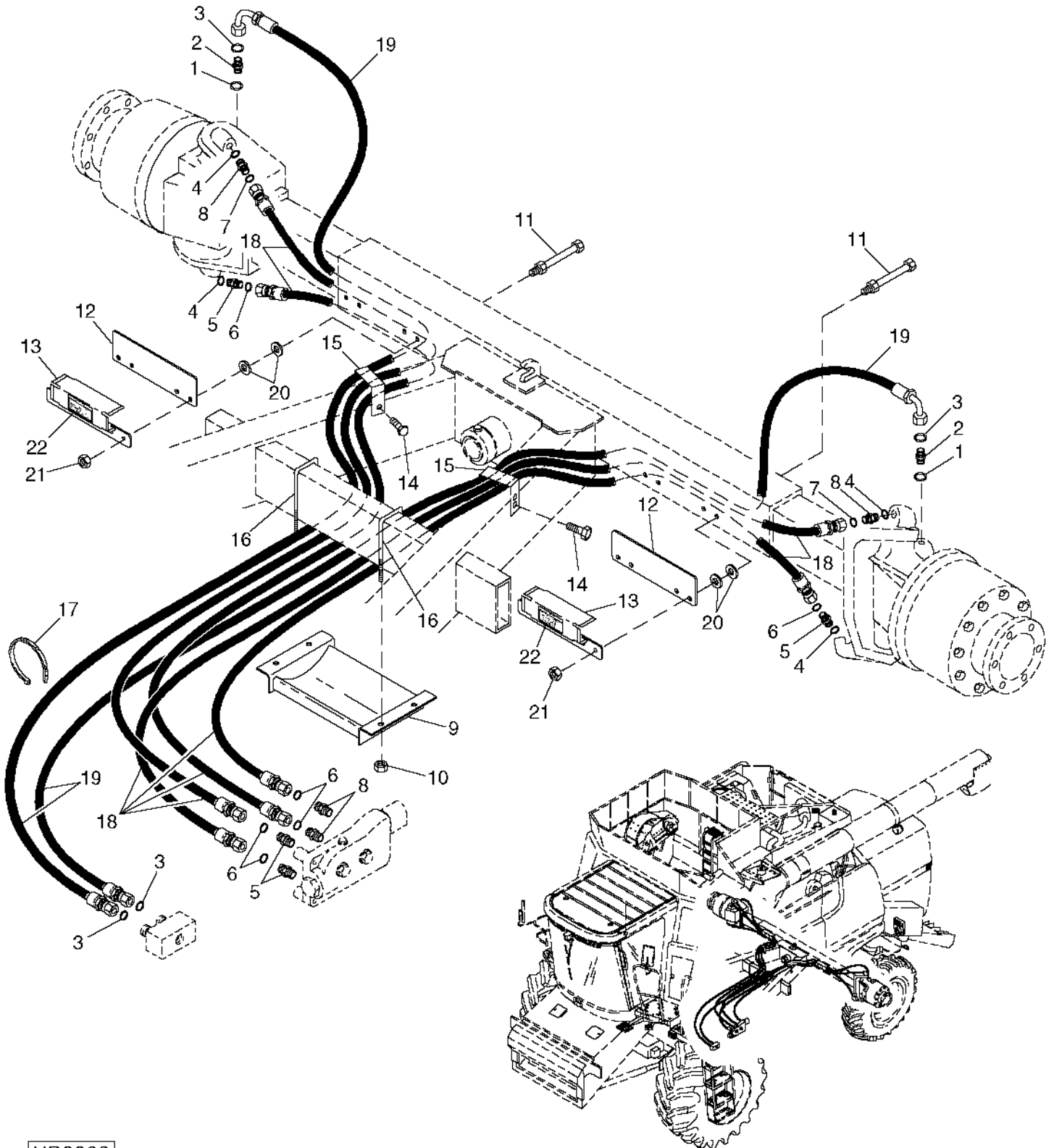
POWER TRAIN

4-WHEEL DRIVE HYDRAULIC LINES AND HOSES, L.H. SIDE - CONTINUED

KEY	PART NO.	PART NAME	QTY	SERIAL NO.	0 H	REMARKS
					9	
					5	
					9	
					5	
					0	
					5	
					S	
					0	
					H	
1	T77858	O-RING	4		X X	18.771 X 1.778 MM
2	38H1163	ADAPTER	4		X X	
3	U12547	O-RING	4		X X	23.470 X 2.946 MM
4	T77613	O-RING	6		X X	9.246 X 1.778 MM
5	24M7114	WASHER	1		X X	19 X 30 X 4 MM
6	T81029	NUT	1		X X	17.475 MM
7	AH130611	HYDRAULIC LINE	1		X X	
8	T77814	O-RING	1		X X	7.645 X 1.778 MM
9	38H1168	ADAPTER	1		X X	
10	R26448	O-RING	3		X X	11.887 X 1.981 MM
11	H114865	CLAMP	8		X X	
12	AH152671	HYDRAULIC LINE	1		X X	(RETURN)
13	H112567	PLATE	4		X X	
14	03M7187	BOLT	1		X X	M8 X 35
	14M7298	FLANGE NUT	1		X X	M8
15	H114898	CLAMP	6		X X	
16	H114901	PLATE	3		X X	
17	R28782	O-RING	1		X X	8.915 X 1.829 MM
18	38H1309	ADAPTER	1		X X	
19	19M8317	SCREW	1		X X	M8 X 40
	14M7298	FLANGE NUT	1		X X	M8
20	H127589	CLAMP	2		X X	
21	H121163	COVER	1		X X	
22	H128515	CLAMP	2		X X	
23	AH152672	HYDRAULIC LINE	1		X X	(PRESSURE)
24	AH139802	HYDRAULIC HOSE	2		X X	1-3/16" X 1 575 MM X 1-3/16"
25	19M8162	CAP SCREW	16		X X	M10 X 40
26	38H1160	ADAPTER	1		X X	
27	H131163	STRAP	1		X X	
28	38H1004	ELBOW FITTING	1		X X	
29	19M7801	SCREW	3		X X	M8 X 60
	14M7298	FLANGE NUT	3		X X	M8
30	AH128894	HYDRAULIC HOSE	1		X X	11/16" X 505 MM X 11/16"
31	T78313	O-RING	2		X X	32.918 X 3.531 MM
32	AH133941	MANIFOLD	1		X X	42 GPM, FWD PRESS.
33	AH133942	MANIFOLD	1		X X	30 GPM, REV PRESS.
34	AH76882	CLIP	1		X X	
35	AH155648	HYDRAULIC HOSE	1		X X	11/16" X 950 MM X 11/16"
36	19M8039	SCREW	3		X X	M8 X 80
	14M7298	FLANGE NUT	3		X X	M8
..	BH81286	COMPLETE GOODS/SHIP. BUNDLE	1		X X	FOUR WHEEL DRIVE CONVERSION

4-WHEEL DRIVE LINES AND HOSES (FROM FLOW CONTROL VALVE TO CAM LOBE MOTORS)

HP9308 -UN-22NOV99



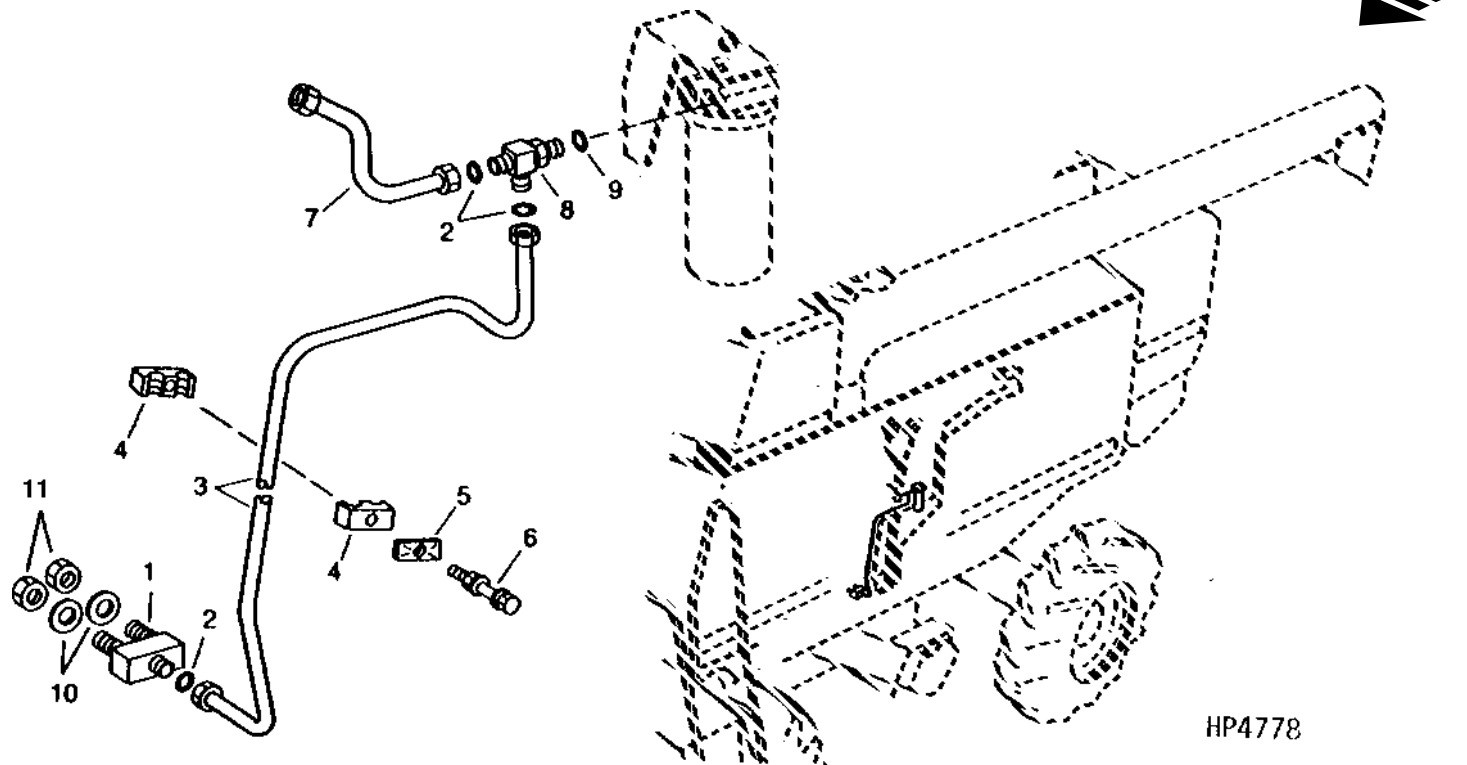
HP9308

**4-WHEEL DRIVE LINES AND HOSES - CONTINUED
(FROM FLOW CONTROL VALVE TO CAM LOBE MOTORS)**

KEY	PART NO.	PART NAME	QTY	SERIAL NO.	REMARKS
					9
					5
					9 5
					5 0
					5 S
					0 H
1	R26375	O-RING	2		X X
2	38H1178	ADAPTER	2		X X
3	T77858	O-RING	4		X X
4	U12547	O-RING	8		X X
5	38H1329	ADAPTER	4		X X
6	T77932	O-RING	4		X X
7	T77857	O-RING	4		X X
8	38H1175	ADAPTER	4		X X
9	AH128757	SHIELD	1		X X
10	14M7296	FLANGE NUT	4		X X M10
11	H121472	BOLT	4		X X
	14M7300	FLANGE NUT	4		X X M20
12	H154755	SHIELD	2		X X INNER
13	H154756	SHIELD	2		X X OUTER
14	37M7058	SCREW	6		X X M8 X 20
15	AH117418	STRAP	2		X X
16	H133669	U-BOLT	2		X X
17	H113196	TIE BAND	1		X X
18	AH164755	HYDRAULIC HOSE	4		X X
19	AH164484	HYDRAULIC HOSE	2		X X (CASE DRAIN)
20	24M7242	WASHER	8		X X 21.400 X 42 X 5 MM
21	14M7300	FLANGE NUT	4		X X M20
22	H170211	SIGN	2		X X
..	BH78881	COMPLETE GOODS/SHIP. BUNDLE	1		X X SHIELDS
..	BH81286	COMPLETE GOODS/SHIP. BUNDLE	1		X X FOUR WHEEL DRIVE CONVERSION
..	BH81623	COMPLETE GOODS/SHIP. BUNDLE	1		X X POWER VALVE ASSEMBLY AND AXLE HOSES

4-WHEEL DRIVE CASE DRAIN HYDRAULIC LINES

HP4778 -UN-01JAN94

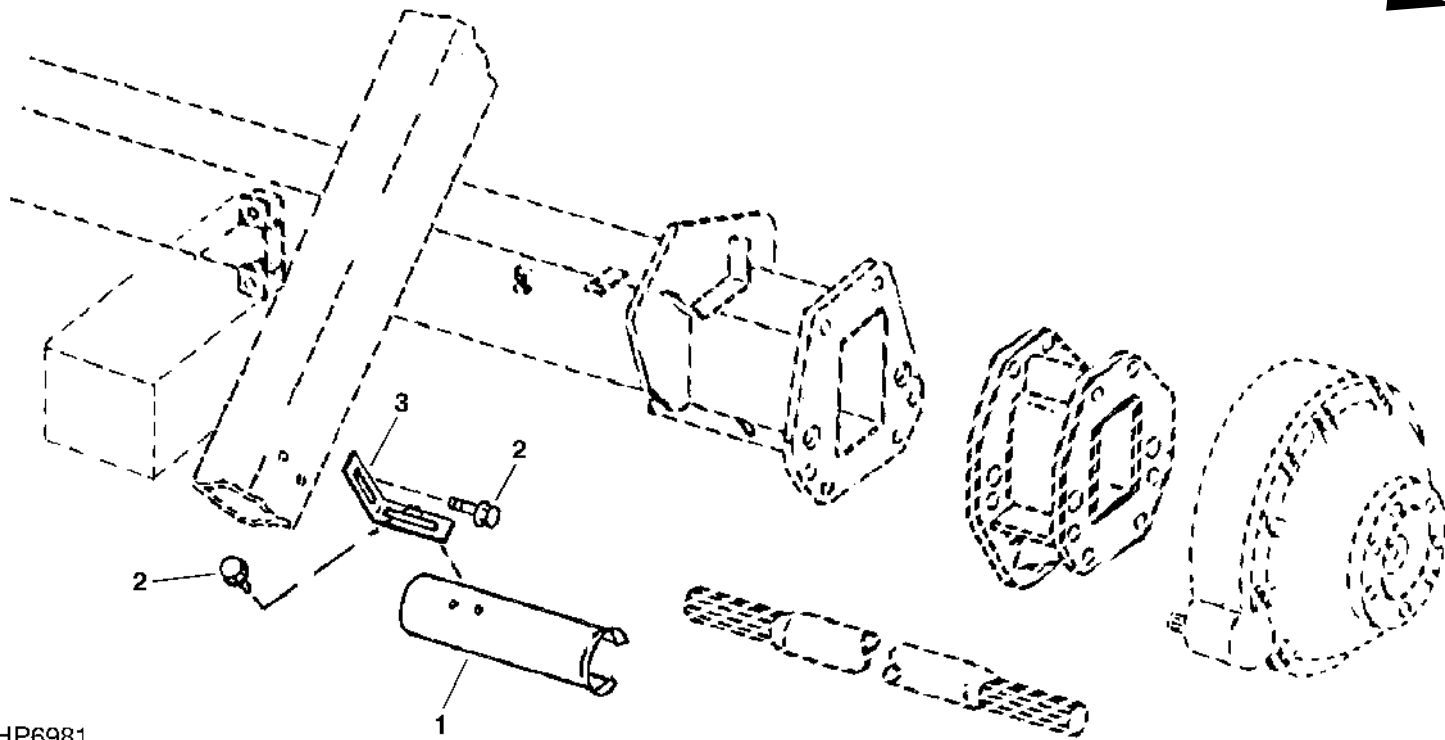


HP4778

KEY	PART NO.	PART NAME	QTY	SERIAL NO.	REMARKS
				9	
				5	
				9 5	
				5 0	
				5 S	
				0 H	
1	AH128692	MANIFOLD	1	X X	(CASE DRAIN)
2	T77858	O-RING	3	X X	18.771 X 1.778 MM
3	AH130449	HYDRAULIC LINE	1	X X	(CASE DRAIN RETURN)
4	H114865	CLAMP	2	X X	
5	H112567	PLATE	1	X X	
6	03M7245	BOLT	1	X X	M8 X 55
	14M7298	FLANGE NUT	1	X X	M8
7	AH126169	OIL LINE	1	X X	(RETURN) (FROM VALVE STACK TO HYD FILTER)
8	38H1438	TEE FITTING	1	X X	
9	R29936	O-RING	1	X X	29.743 X 2.946 MM
10	28H1152	BUSHING	2	X X	1.278" X 1.660" X 3/8"
11	T78707	NUT	2	X X	30.175 MM
..	BH81286	COMPLETE GOODS/SHIP. BUNDLE	1	X X	FOUR WHEEL DRIVE CONVERSION

**FINAL DRIVE SHAFT SHIELDS - (SINGLE REDUCTION)
(FOR RICE ONLY)
(LEFT-HAND SIDE ILLUSTRATED)**

HP6981 -UN-22SEP97



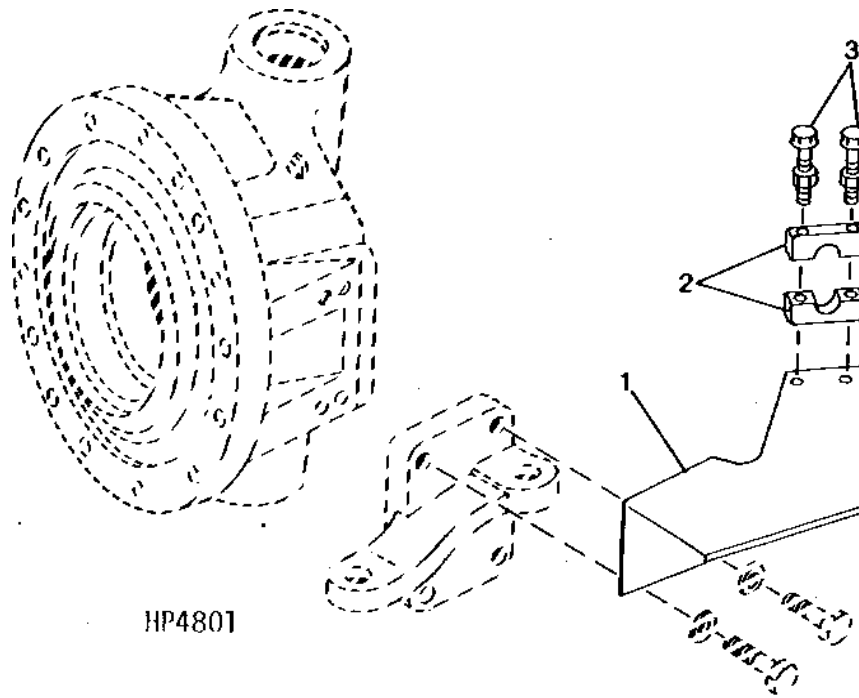
HP6981

9
5
9 5
5 0
5 S
0 H

KEY	PART NO.	PART NAME	QTY	SERIAL NO.	REMARKS
1	AH139895	POWERSHAFT SHIELD	2	X	(WITH NO AXLE SPACER)
	AH139896	POWERSHAFT SHIELD	2	X	(USE WITH 300 MM AXLE SPACER)
	AH132239	POWERSHAFT SHIELD	2	X	(USE WITH 165 MM AXLE SPACER)
	AH132237	POWERSHAFT SHIELD	2	X	(USE WITH 400 MM AXLE SPACER)
2	AH132238	POWERSHAFT SHIELD	2	X	(USE WITH 450 MM SPACER)
	19M7783	SCREW	4	X	M10 X 16
3	H147490	ANGLE	2	X	
	H166375	BRACKET	2	X	(FOR RICE ONLY)

MUD SHIELDS-POWERED REAR WHEELS

HP4801 -UN-01JAN94



HP4801

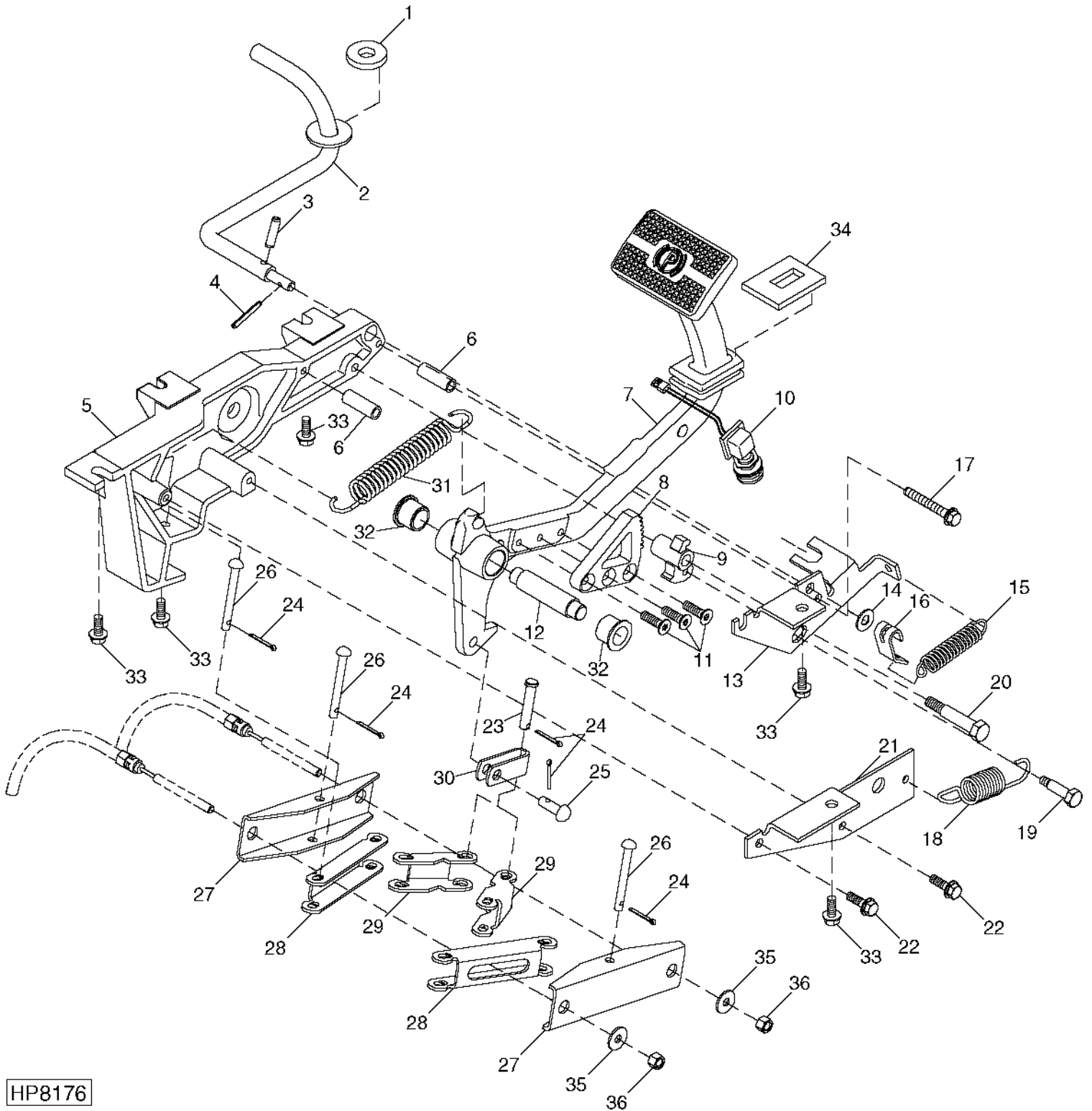
KEY	PART NO.	PART NAME	QTY	SERIAL NO.	REMARKS
1	H146088	SHIELD	1	X X	LEFT-HAND
	H146089	SHIELD	1	X X	RIGHT-HAND
2	H142721	CLAMP	2	X X	
3	19M7801	SCREW	2	X X	M8 X 60
	14M7298	FLANGE NUT	2	X X	M8
..	BH81286	COMPLETE GOODS/SHIP. BUNDLE	1	X X	FOUR WHEEL DRIVE CONVERSION

9
5
9 5
5 0
5 S
0 H

MEMORANDA

PARKING BRAKE PEDAL AND SEAL

HP8176 -UN-08JUL99



HP8176

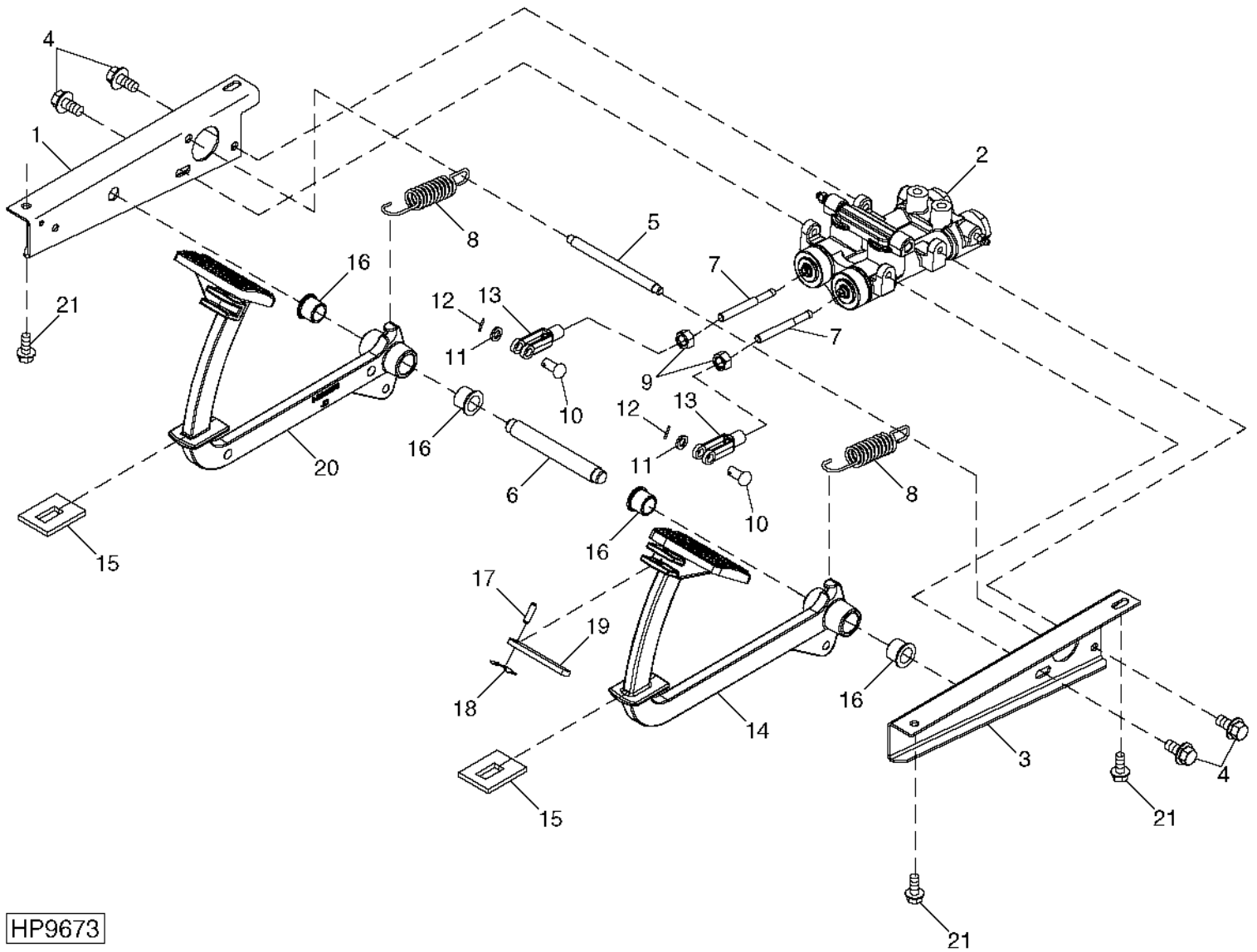
PARKING BRAKE PEDAL AND SEAL - CONTINUED

KEY	PART NO.	PART NAME	QTY	SERIAL NO.	9	REMARKS
					5	
					9	
					5	
					9	
					5	
					0	
					5	
					S	
					0	
					H	
1	H145847	ISOLATOR	1		X X	
2	AH146492	ARM	1		X X	
3	34M7124	SPRING PIN	1		X X	8 X 30 MM
4	34M7116	SPRING PIN	1		X X	3 X 24 MM
5	H140595	FRAME	1		X X	
6	28H1633	BUSHING	2		X X	0.364" X 0.540" X 1-9/16"
7	H152164	PEDAL	1		X X	
8	H140746	RATCHET	1		X X	
9	H140747	PAWL	1		X X	
10	AH140605	SWITCH	1		X X	
11	H140692	SCREW	3		X X	
12	H140708	PIN	1		X X	
13	H146327	PLATE	1		X X	
14	H110232	WASHER	1		X X	
15	R60730	SPRING	1		X X	
16	H141069	HOOK	1		X X	
17	19M7801	SCREW	2		X X	M8 X 60
18	H124258	SPRING	1		X X	
19	H140715	BOLT	1		X X	
20	H140712	BOLT	1		X X	
21	H140691	PLATE	1		X X	
22	19M7867	SCREW	2		X X	M8 X 25
23	M43649	PIN	1		X X	9.525 X 48.260 MM
24	11M7059	COTTER PIN	5		X X	3.200 X 20 MM
25	RV702A	PIN	1		X X	
26	H109716	PIN	3		X X	
27	H140694	BALANCER	2		X X	
28	H140695	LINK	2		X X	
29	H140696	LINK	2		X X	
30	H140713	CLEVIS	1		X X	
31	H104075	SPRING	1		X X	
32	H105005	BUSHING	2		X X	
33	19M7866	SCREW	5		X X	M8 X 20
34	H141422	SEAL	1		X X	
35	24M7207	WASHER	2		X X	8.400 X 24 X 2 MM
36	E64256	LOCK NUT	2		X X	

2E4

BRAKE PEDALS AND MASTER CYLINDERS

HP9673 -UN-03APR00



HP9673

2E5

STEERING AND BRAKES

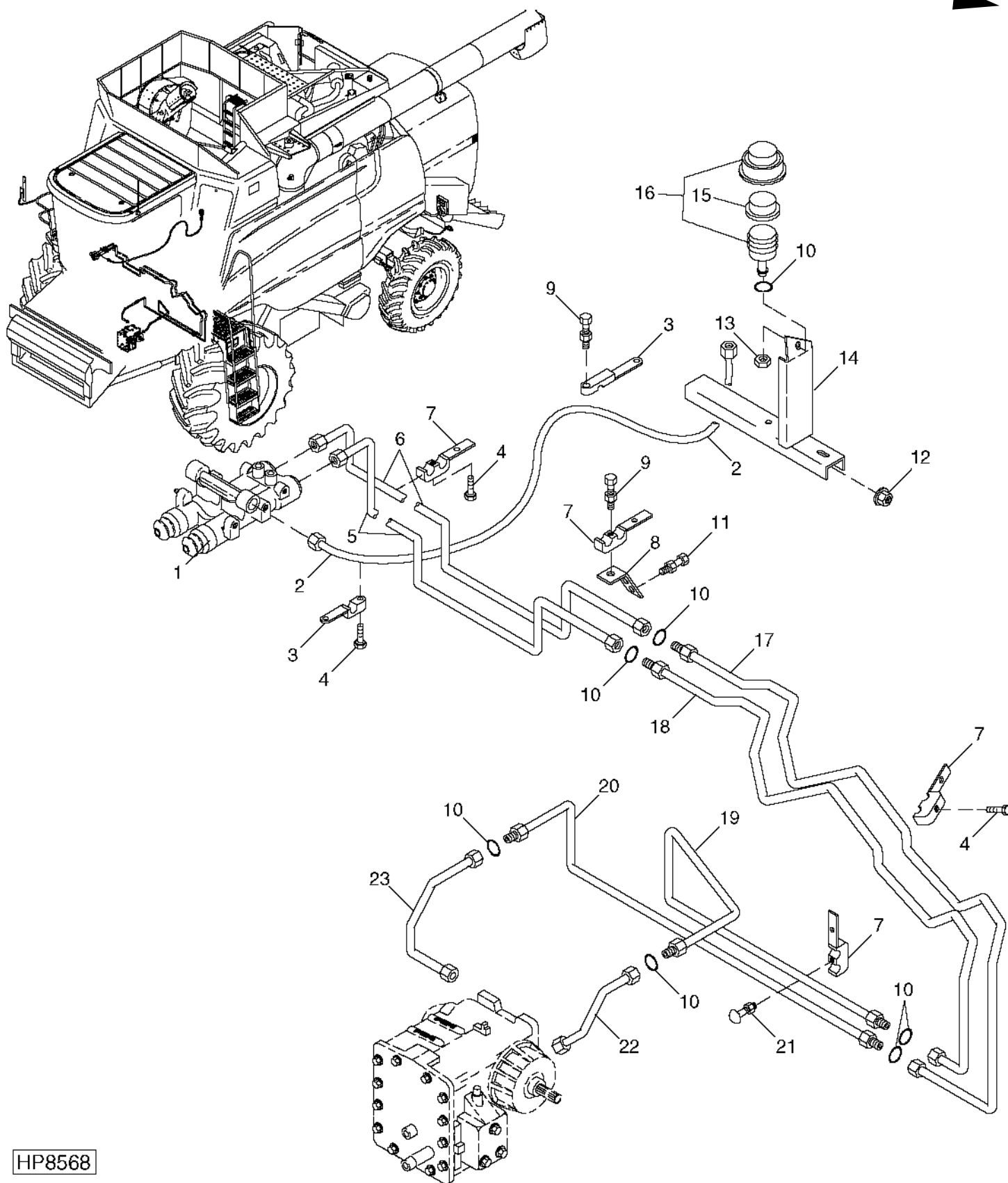
BRAKE PEDALS AND MASTER CYLINDERS - CONTINUED

KEY	PART NO.	PART NAME	QTY	SERIAL NO.	9550 SH		REMARKS
					0	H	
1	H156514	SUPPORT	1		X	X	R.H.
2	AH155787	CYLINDER	1		X	X	
3	H156513	SUPPORT	1		X	X	L.H.
4	19M7784	SCREW	4		X	X	M10 X 20
5	H120389	PIN	1		X	X	
6	H120388	PIN	1		X	X	
7	H124259	PUSH ROD	2		X	X	
8	H124258	SPRING	2		X	X	
9	14M7274	NUT	2		X	X	M10
10	45M7118	PIN	2		X	X	(SUB FOR H114331)
11	24M7028	WASHER	2		X	X	10.500 X 20 X 2 MM
12	11M7059	COTTER PIN	2		X	X	3.200 X 20 MM
13	H114330	YOKE	2		X	X	
14	H172924	PEDAL	1		X	X	(SUB FOR H152166) L.H.
15	H111234	SEAL	2		X	X	
16	H105005	BUSHING	4		X	X	
17	34H312	SPRING PIN	1		X	X	1/4" X 1"
18	H95902	SPRING	1		X	X	
19	H99264	STRAP	1		X	X	
20	H172923	PEDAL	1		X	X	(SUB FOR H152165) R.H.
21	19M7866	SCREW	4		X	X	M8 X 20
..	AH162545	KIT	1		X	X	PISTON ASSEMBLY AND SNAP RING

2E6

BRAKE LINES, MASTER CYLINDER AND RESERVOIR

HP8568 -UN-29JUL99

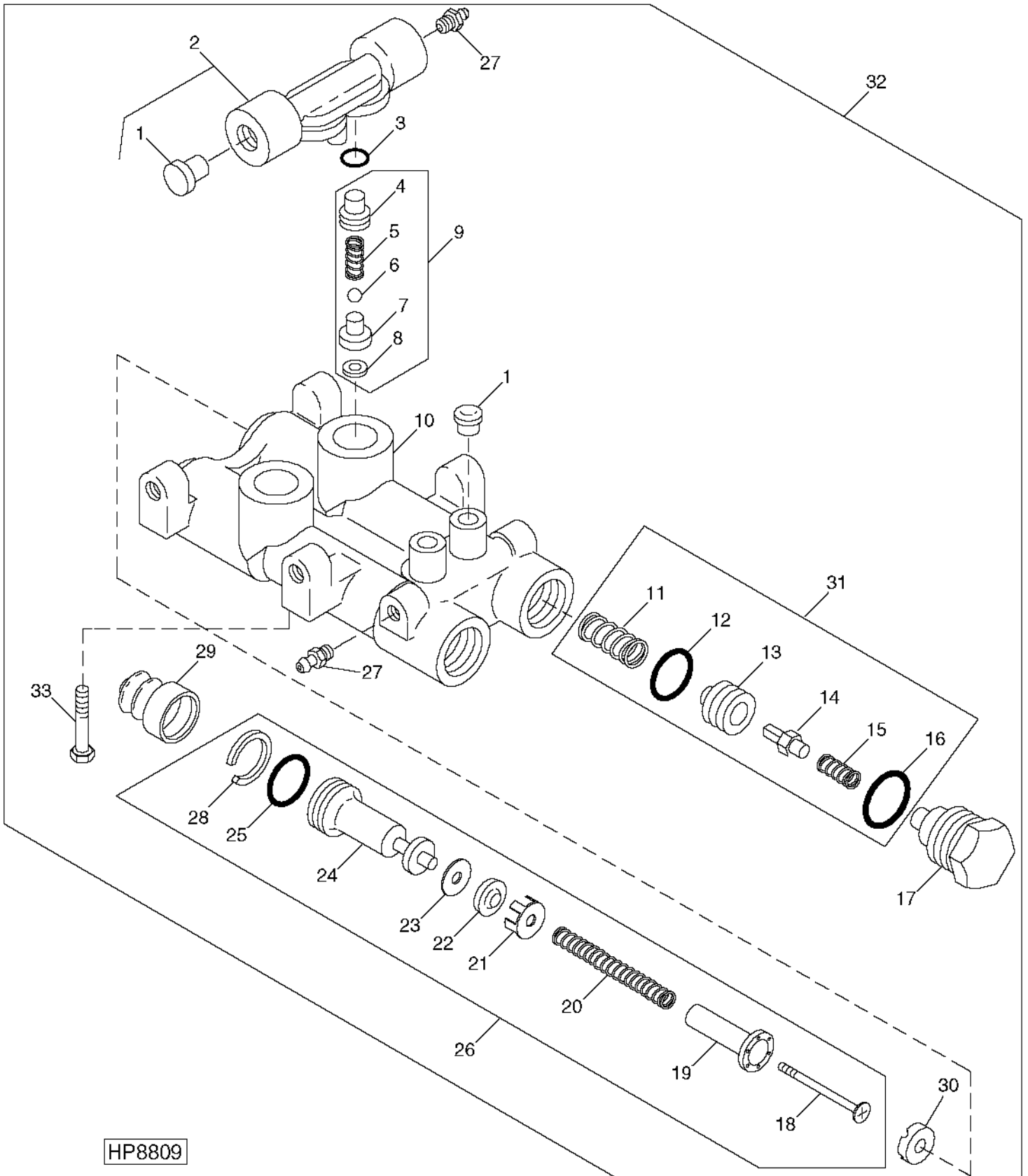


HP8568

BRAKE LINES, MASTER CYLINDER AND RESERVOIR - CONTINUED

KEY	PART NO.	PART NAME	QTY	SERIAL NO.	0 H	REMARKS
					9	
					5	
					9 5	
					5 0	
					5 S	
					0 H	
1	AH155787	CYLINDER	1		X X	
2	AH141794	OIL LINE	1		X X	
3	H112911	CLAMP	3		X	
4	37M7131	SCREW	8		X X	M6 X 20
5	AH141686	OIL LINE	1		X X	L.H.
6	AH141687	OIL LINE	1		X X	R.H.
7	H112910	CLAMP	8		X X	
8	H134343	BRACKET	1		X X	
9	19M7775	SCREW	2		X X	M6 X 16
	14M7303	FLANGE NUT	2		X X	M6
10	H127752	O-RING	7		X X	7.645 X 1.778 MM
11	19M7775	SCREW	2		X X	M6 X 16
	14M7303	FLANGE NUT	2		X X	M6
12	14M7296	FLANGE NUT	2		X X	M10
13	14H832	NUT	1		X X	9/16"
14	AH136362	SUPPORT	1		X X	
15	H109254	DIAPHRAGM	1		X X	
16	AH130605	RESERVOIR	1		X X	
17	AH130612	OIL LINE	1		X X	R.H.
18	AH130613	OIL LINE	1		X	L.H.
19	AH130412	OIL LINE	1		X	L.H.
	AH135783	OIL LINE	1		X	L.H.
20	AH130413	OIL LINE	1		X	R.H.
	AH135784	OIL LINE	1		X	R.H.
21	03M7290	BOLT	3		X X	M6 X 30
	14M7303	FLANGE NUT	3		X X	M6
22	AH128842	OIL LINE	1		X X	
23	AH128843	OIL LINE	1		X X	

BRAKE MASTER CYLINDER
HP8809 -UN-08JUL99



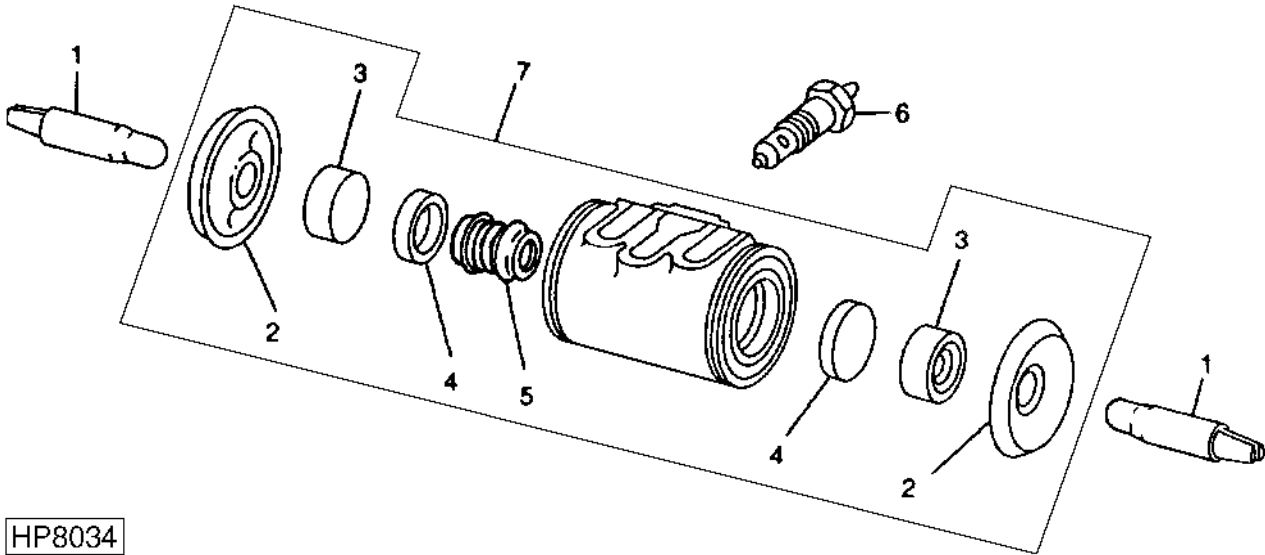
HP8809

BRAKE MASTER CYLINDER - CONTINUED

KEY	PART NO.	PART NAME	QTY	SERIAL NO.	0 H	REMARKS
1	SEAT	3		X X	
2	AH136305	DEVICE	1		X X	
3	O-RING	2		X X	(A)
4	VALVE	2		X X	(D)
5	SPRING	2		X X	(D)
6	BALL	2		X X	(D)
7	VALVE SEAT	2		X X	(D)
8	SEAL	2		X X	(D)
9	AH133126	VALVE	2		X X	INCLUDES PARTS MARKED (D)
10	HOUSING	1		X X	
11	H141869	SPRING	2		X X	(C)
12	O-RING	2		X X	(A)
13	BEARING	2		X X	(C)
14	POPPET	2		X X	(C)
15	SPRING	2		X X	(C)
16	O-RING	2		X X	(C)
17	H167988	DRAIN PLUG	2		X X	
18	SCREW	2		X X	(B)
19	RETAINER	2		X X	(B)
20	SPRING	2		X X	(B)
21	RETAINER	2		X X	(B)
22	OIL CUP	2		X X	(B)
23	RETAINER	2		X X	(B)
24	PISTON	2		X X	(B)
25	O-RING	2		X X	(B)
26	AH162545	KIT	2		X X	INCLUDES PARTS MARKED (B)
27	R21612	BLEED SCREW	1		X X	
28	SNAP RING	2		X X	(A) (B)
29	BOOT	2		X X	(A)
30	H81461	RETAINER	2		X X	
31	AH161485	KIT	1		X X	INCLUDES PARTS MARKED (C)
32	AH160136	CYLINDER	1		X X	
33	BOLT	1		X X	(A)
..	AH133128	KIT	1		X X	INCLUDES PARTS MARKED (A)

2E10

BRAKE SLAVE CYLINDER
HP8034 -UN-18DEC98

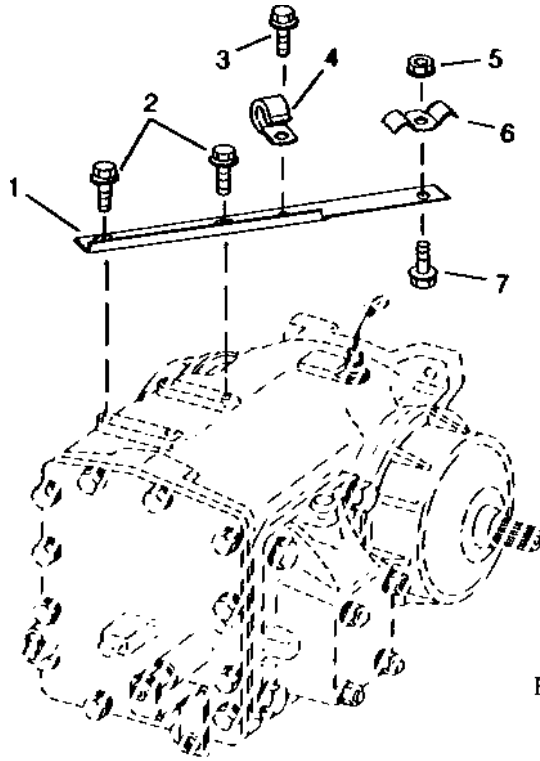


HP8034

KEY	PART NO.	PART NAME	QTY	SERIAL NO.	9 5 9 5 5 0 5 S 0 H	REMARKS
1	H140135	LINK	2		X X	
2	BOOT	2		X X	(A)
3	PISTON	2		X X	(A)
4	SEAL	2		X X	(A)
5	SPRING	1		X X	(A)
6	W15277	BLEED SCREW	1		X X	
7	AH131048	CYLINDER	1		X X	R.H. (1-1/8")
	AH131047	CYLINDER	1		X X	L.H. (1-1/8")
..	AH131045	HYDRAULIC CYLINDER KIT	1		X X	INCLUDES PARTS MARKED (A)

2E11

BRAKE CABLE SUPPORT BRACKET
HP5535 -UN-01JAN94



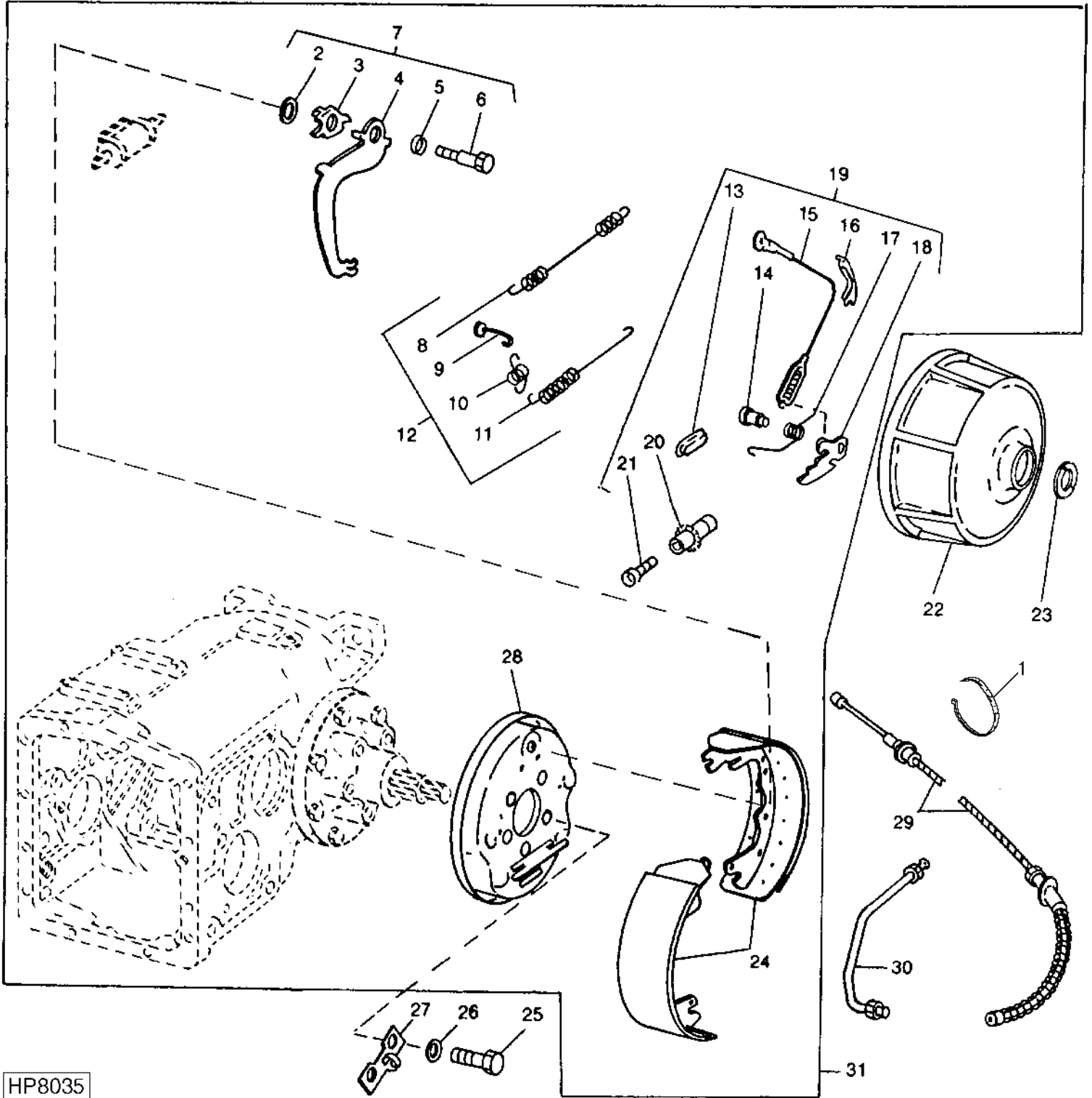
HP5535

9
5
9 5
5 0
5 S
0 H

KEY	PART NO.	PART NAME	QTY	SERIAL NO.	REMARKS
1	H147004	SUPPORT	1	X X	
2	19M7865	SCREW	2	X X	M8 X 16
3	37M7083	SCREW	1	X X	M8 X 12
4	AH89557	CLIP	1	X X	
5	14M7298	FLANGE NUT	1	X X	M8
6	R42009	CLAMP	1	X X	
7	19M7867	SCREW	1	X X	M8 X 25

2E12

BRAKE SHOES AND DRUM
(L.H. ILLUSTRATED)
HP8035 -UN-18DEC98



HP8035

2E13

STEERING AND BRAKES

BRAKE SHOES AND DRUM - CONTINUED
(L.H. ILLUSTRATED)

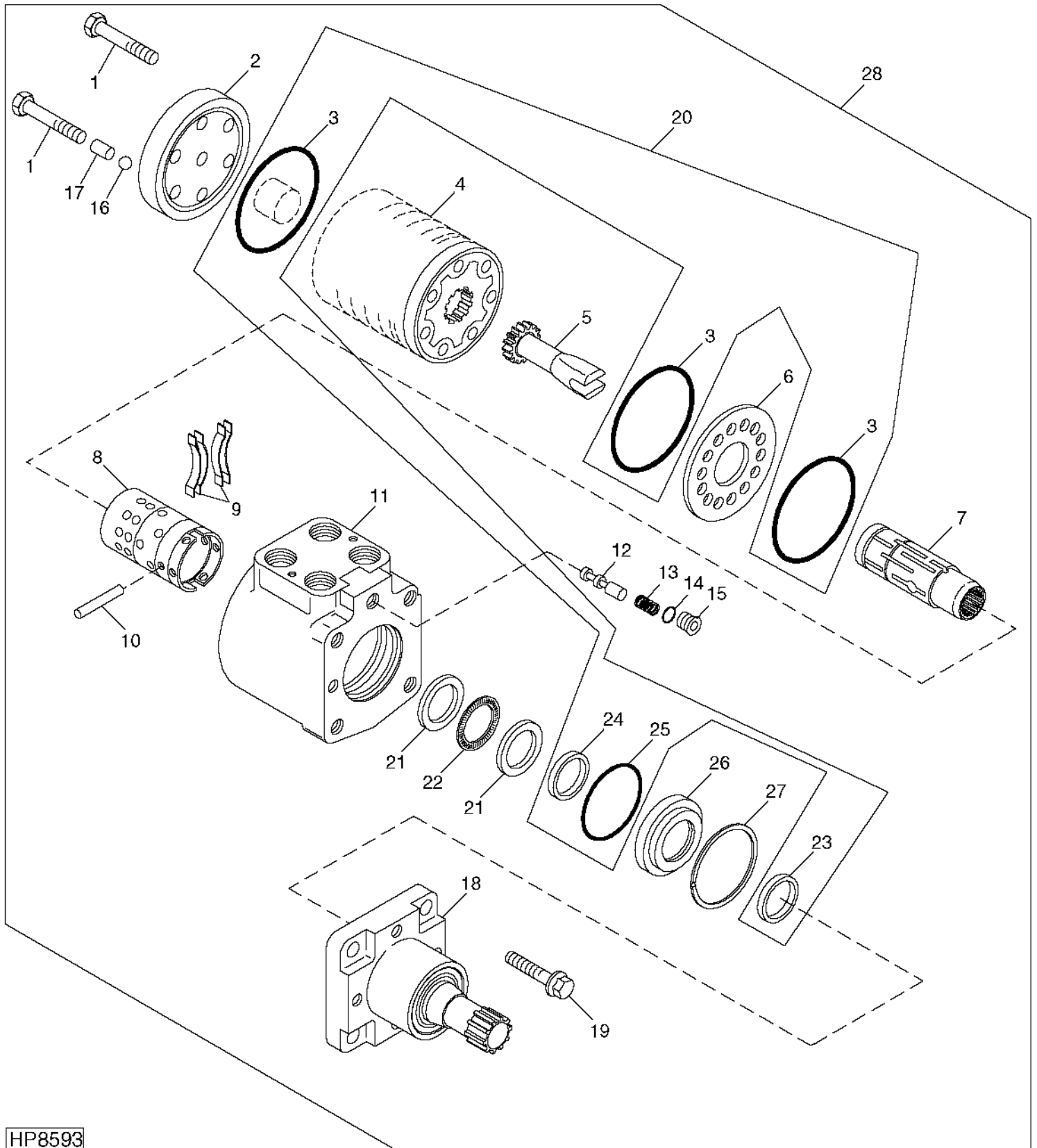
KEY	PART NO.	PART NAME	QTY	SERIAL NO.	9 5 9 5 5 0 5 S 0 H	REMARKS
1	R44302	TIE BAND	1		X X	
2	WASHER	1		X X	
3	CAM	1		X X	
4	LEVER	1		X X	
5	SPRING	1		X X	
6	BOLT	1		X X	(ANCHOR PIN)
7	AH131058	KIT	1		X X	R.H.
	AH131059	KIT	1		X X	L.H.
8	SPRING	1		X X	(UPPER SHOE-TO-SHOE)
9	H140135	LINK	2		X X	
10	SPRING	2		X X	(LOWER SHOE-TO-SHOE)
11	SPRING	2		X X	(HOLD DOWN)
12	AH131051	KIT	1		X X	
13	COVER	1		X X	(RUBBER)
14	PIN	1		X X	
15	CABLE	1		X X	
16	GUIDE	1		X X	
17	SPRING	1		X X	
18	PAWL	1		X X	(ADJUSTER)
19	AH131054	KIT	1		X X	R.H.
	AH131055	KIT	1		X X	L.H.
20	WHEEL	1		X X	
21	SCREW	1		X X	
22	CE18206	BRAKE DRUM	2		X X	
23	B32564	RING	2		X X	
24	AH132840	BRAKE SHOE	1		X X	
25	19M7597	CAP SCREW	5		X X	M20 X 50
26	N12679	WASHER	5		X X	20.625 X 38.100 X 3.404 MM
27	H133351	GUIDE	2		X X	
28	AH149829	KIT	1		X X	
29	AH141582	CABLE	1		X X	
30	AH128842	OIL LINE	1		X X	L.H.
	AH128843	OIL LINE	1		X X	L.H.
	AH128843	OIL LINE	1		X	R.H.
	AH128841	OIL LINE	1		X	R.H.
31	AH134304	BRAKE	1		X X	R.H. 12 X 2 1/2"
	AH134305	BRAKE	1		X X	L.H. 12 X 2 1/2"

NOTE: QUANTITIES SHOWN ARE FOR ONE UNIT. TWO UNITS USED PER MACHINE.

2E14

STEERING PUMP

HP8593 -UN-24AUG99



HP8593

2E15

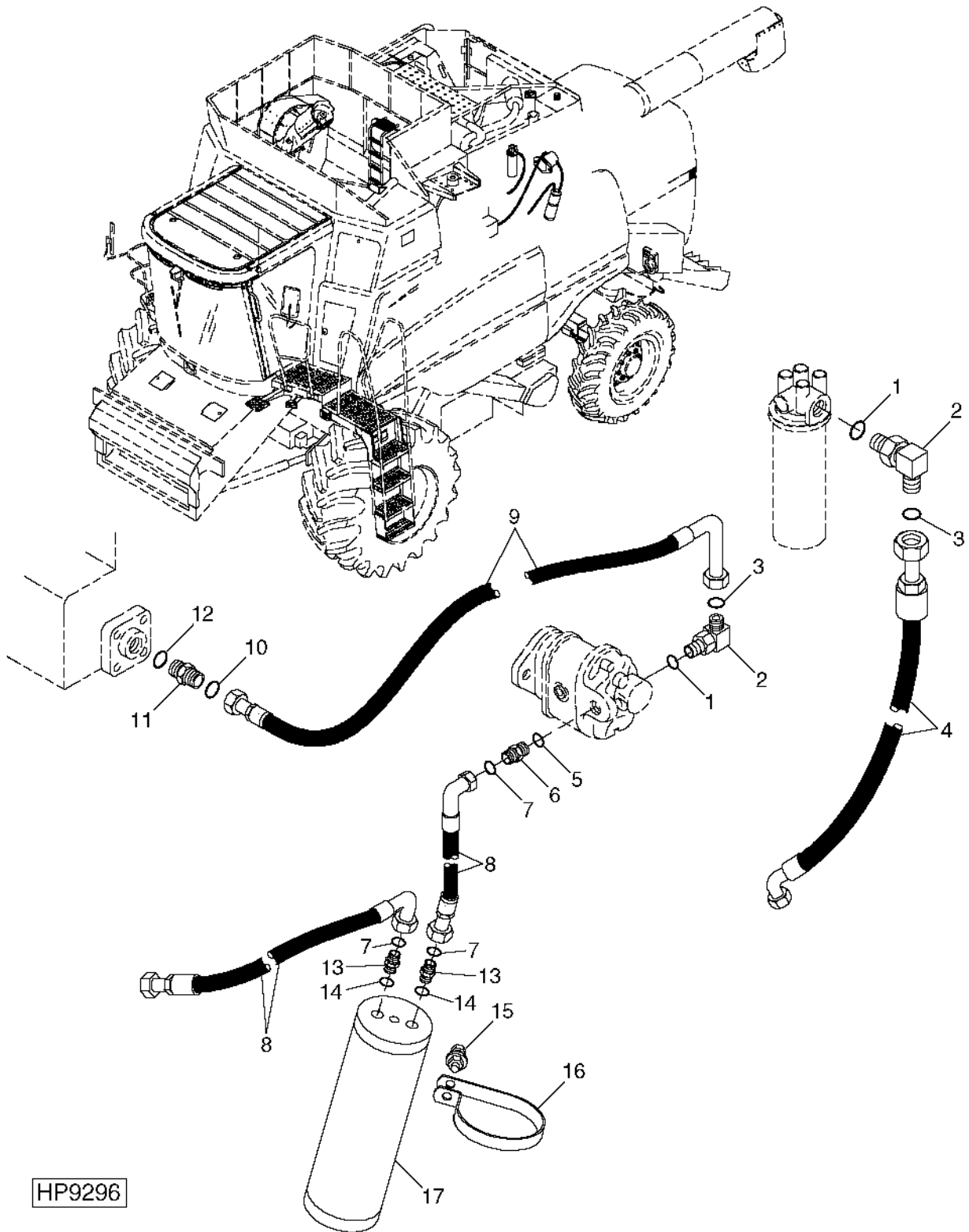
STEERING PUMP - CONTINUED

KEY	PART NO.	PART NAME	QTY	SERIAL NO.	0 H	REMARKS
					9	
					5	
					9 5	
					5 0	
					5 S	
					0 H	
1	SCREW	7		X X	
2	CAP	1		X X	
3	SEAL	3		X X	(A)
4	ROTATOR	1		X X	
5	DRIVE	1		X X	
6	SPACER	1		X X	
7	SPOOL	1		X X	
8	SLEEVE	1		X X	
9	SPRING ASSEMBLY	1		X X	
10	PIN	1		X X	
11	CONTROL	1		X X	
12	PLUNGER	1		X X	
13	SPRING	1		X X	
14	O-RING	1		X X	
15	CAP	1		X X	
16	BALL CHECK	1		X X	
17	ROD	1		X X	(A)
18	HOUSING	1		X X	
19	SCREW	1		X X	
20	AH142893	SEAL KIT	1		X X	INCLUDES PARTS MARKED (A)
21	BEARING	2		X X	
22	NEEDLE BEARING	1		X X	
23	SEAL	1		X X	(A)
24	SEAL	1		X X	(A)
25	SEAL	1		X X	(A)
26	BUSHING	1		X X	
27	SNAP RING	1		X X	
28	AH142441	PUMP	1		X X	

2E16

HYDRAULIC STEERING HOSES, UPPER AND ATTENUATOR

HP9296 -UN-19NOV99



HP9296

2E17

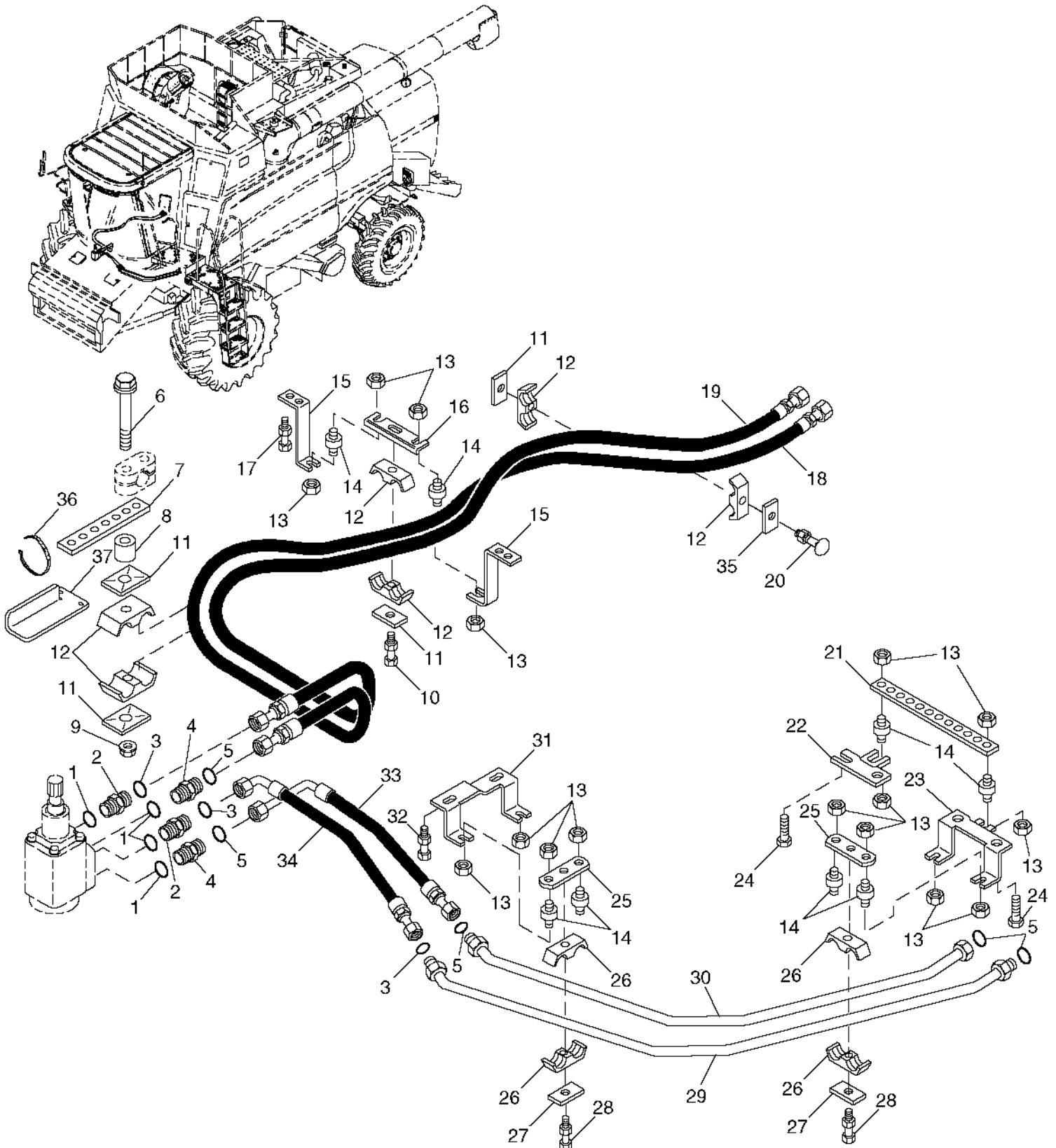
HYDRAULIC STEERING HOSES, UPPER AND ATTENUATOR - CONTINUED

KEY	PART NO.	PART NAME	QTY	SERIAL NO.	0 H	REMARKS
					9	
					5	
					9	
					5	
					0	
					5	
					S	
					0	
					H	
1	U12547	O-RING	2		X X	23.470 X 2.946 MM
2	38H1007	ELBOW FITTING	2		X X	
3	T77858	O-RING	2		X X	18.771 X 1.778 MM
4	AH126254	HYDRAULIC HOSE	1		X X	1-3/16" X 600 MM X 1" (RETURN)
5	R26375	O-RING	1		X X	16.358 X 2.210 MM
6	38H1161	ADAPTER	1		X X	
7	T77857	O-RING	3		X X	12.421 X 1.778 MM
8	AH133752	HYDRAULIC HOSE	2		X X	13/16" X 530 MM X 13/16" (PRESSURE)
9	AH147935	HYDRAULIC HOSE	1		X X	(SUCTION)
10	T76938	O-RING	1		X X	23.520 X 1.778 MM
11	38H1164	ADAPTER	1		X X	
12	R29936	O-RING	1		X X	29.743 X 2.946 MM
13	38H1173	ADAPTER	2		X X	
14	R26448	O-RING	2		X X	11.887 X 1.981 MM
15	14M7298	FLANGE NUT	2		X X	M8
	03M7223	BOLT	2		X X	M8 X 60
16	R35794	CLAMP	2		X X	
17	AR75693	ATTENUATOR	1		X X	

2E18

STEERING HOSES AND LINES, FRONT

HP9301 -UN-19NOV99



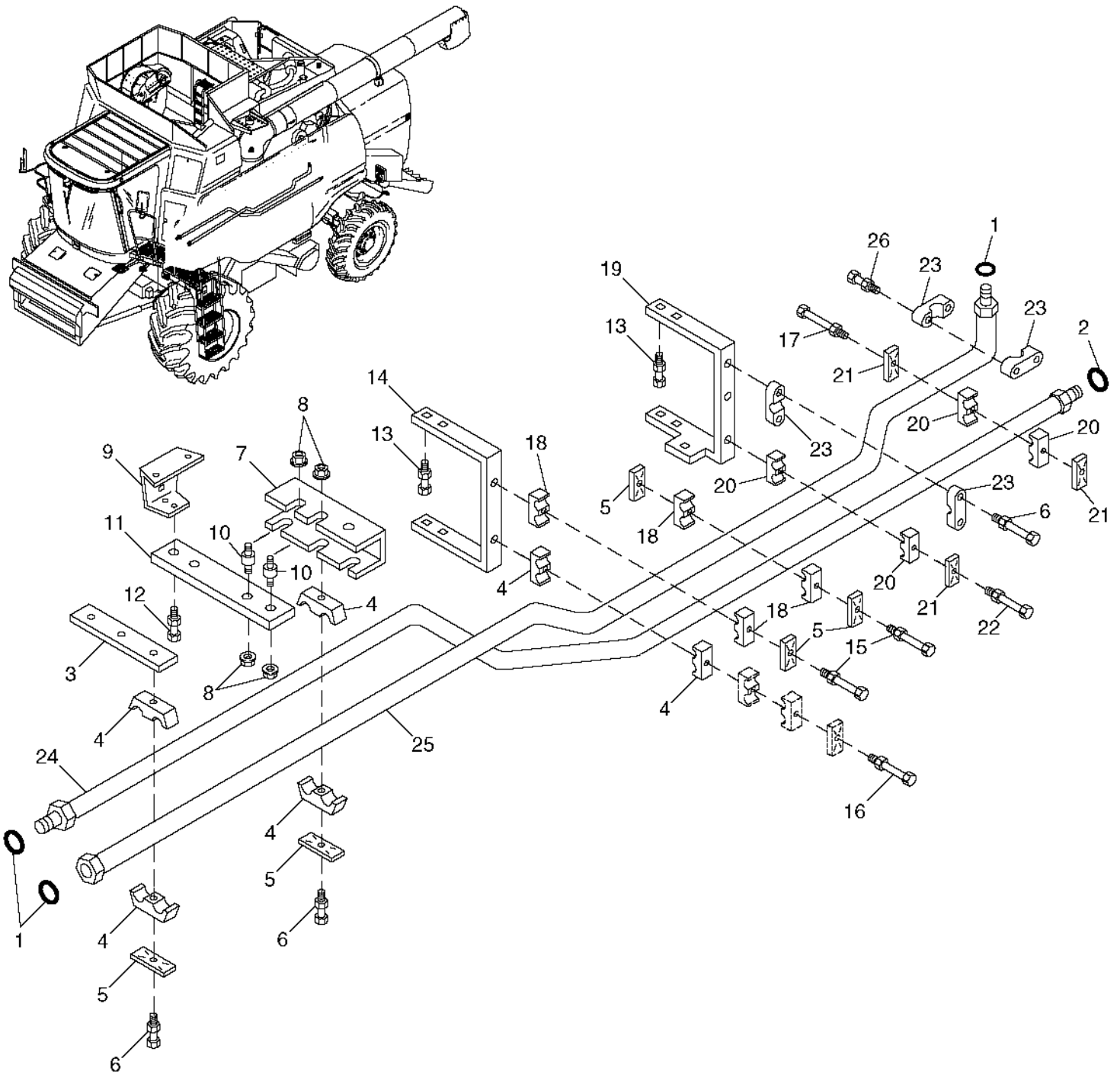
HP9301

STEERING HOSES AND LINES, FRONT - CONTINUED

KEY	PART NO.	PART NAME	QTY	SERIAL NO.	0 H	REMARKS
					9	
					5	
					9 5	
					5 0	
					5 S	
					0 H	
1	R26375	O-RING	4		X X	
2	38H1161	ADAPTER	2		X X	
3	T77857	O-RING	3		X X	
4	38H1317	FITTING	2		X X	
5	T77932	O-RING	5		X X	
6	19M8006	SCREW	1		X X	M8 X 120
7	H134558	STRAP	1		X X	
8	H133060	SLEEVE	1		X X	
9	14M7298	FLANGE NUT	1		X X	M8
10	19M7801	SCREW	1		X X	M8 X 60
	14M7396	LOCK NUT	1		X X	M8
11	H112567	PLATE	4		X X	
12	H135155	CLAMP	6		X X	
13	N10217	LOCK NUT	16		X X	6.350 MM (1/4")
14	AH126657	ISOLATOR	8		X X	
15	H135608	BRACKET	2		X X	
16	H134470	STRAP	1		X X	
17	19M7865	SCREW	4		X X	M8 X 16
	14M7298	FLANGE NUT	4		X X	M8
18	AH131546	HYDRAULIC HOSE	1		X X	11/16" X 1 800 MM (70-3/4") X 1", RIGHT
19	AH131545	HYDRAULIC HOSE	1		X X	13/16" X 1 800 MM (70-3/4") X 13/16", LEFT
20	03M7224	BOLT	1		X X	M8 X 65
	14M7298	FLANGE NUT	1		X X	M8
21	H134426	STRAP	1		X X	
22	H134427	BRACKET	1		X X	
23	H134424	BRACKET	1		X X	
24	37M7058	SCREW	4		X X	M8 X 20
25	H134425	STRAP	2		X X	
26	H120847	CLAMP	4		X X	
27	H121168	PLATE	2		X X	
28	19M8318	SCREW	2		X X	M8 X 45
	14M7298	FLANGE NUT	2		X X	M8
29	AH131382	HYDRAULIC LINE	1		X X	(RETURN)
30	AH131381	HYDRAULIC LINE	1		X X	(PRESSURE)
31	H135619	BRACKET	1		X X	
32	19M7865	SCREW	2		X X	M8 X 16
33	AH133161	HYDRAULIC HOSE	1		X X	
34	AH133160	HYDRAULIC HOSE	1		X X	13/16" X 690 MM (27-1/4") X 13/16"
35	24H1347	WASHER	1		X X	13.487 X 50.800 X 4.928 MM (17/32" X 2" X 0.194")
36	R44302	TIE BAND	1		X X	
37	H171998	BRACKET	1		X X	

2E20

STEERING LINES, L.H. SIDE
HP8328 -UN-05MAY99



HP8328

2E21

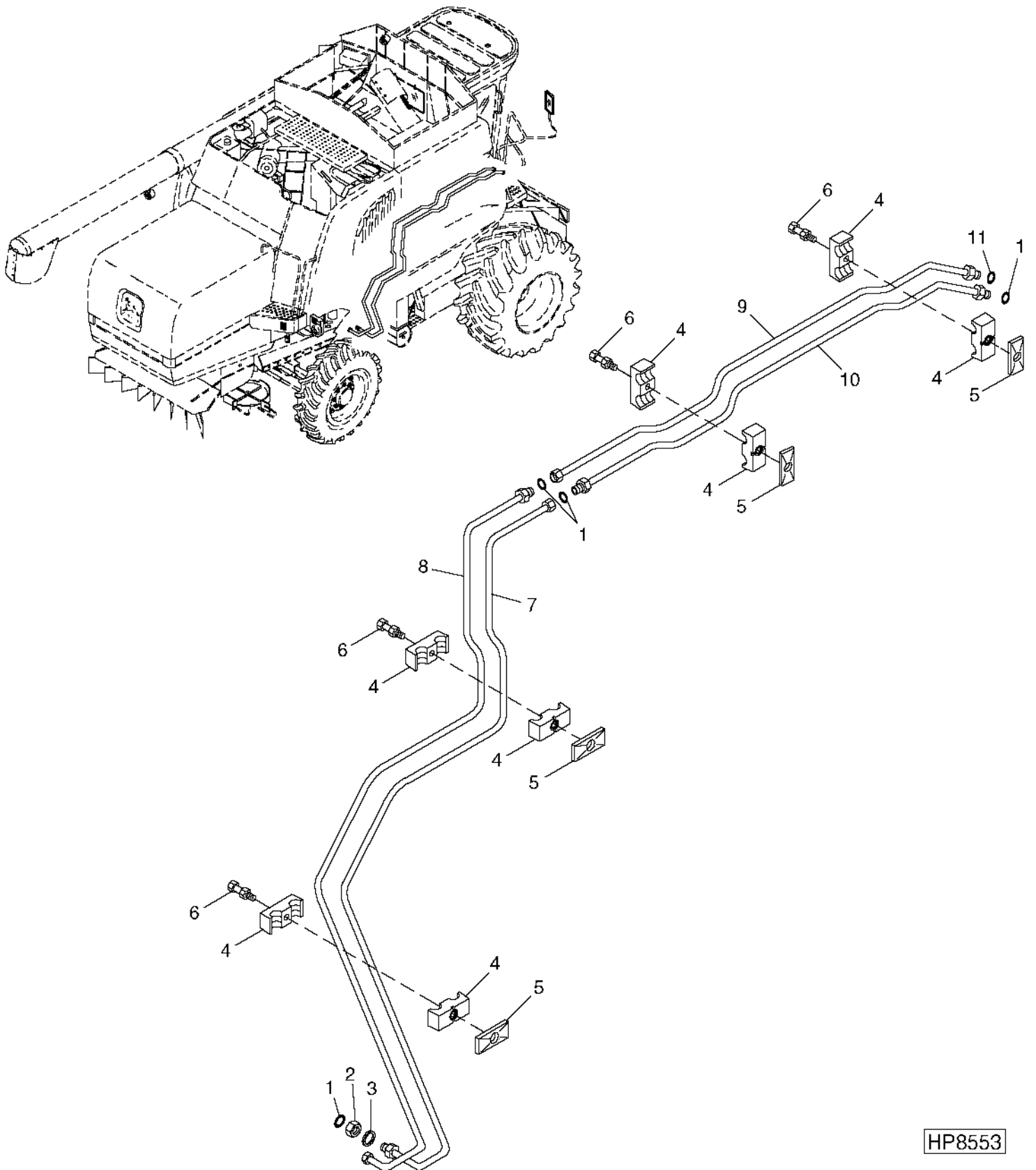
STEERING AND BRAKES

STEERING LINES, L.H. SIDE - CONTINUED

KEY	PART NO.	PART NAME	QTY	SERIAL NO.	0	H	REMARKS
					9		
					5		
					9	5	
					5	0	
					5	S	
					0	H	
1	T77932	O-RING	3		X	X	
2	T77857	O-RING	1		X	X	
3	H131163	STRAP	1		X	X	
4	H120847	CLAMP	6		X	X	
5	H121168	PLATE	4		X	X	
6	03M7189	BOLT	2		X	X	M8 X 45
	14M7298	FLANGE NUT	2		X	X	M8
7	H134428	BRACKET	1		X	X	
8	N10217	LOCK NUT	4		X	X	6.350 MM (1/4")
9	H138411	BRACKET	1		X	X	
10	AH126657	ISOLATOR	2		X	X	
11	H134434	SUPPORT	1		X	X	
12	03M7184	BOLT	2		X	X	M8 X 20
	14M7298	FLANGE NUT	2		X	X	M8
13	19M7866	SCREW	8		X	X	M8 X 20
	14M7396	LOCK NUT	8		X	X	M8
14	H131115	BRACKET	1		X	X	
15	19M8318	SCREW	2		X	X	M8 X 45
	19M8319	SCREW	2		X	X	M8 X 50
	14M7298	FLANGE NUT	2		X	X	M8
16	19M7913	SCREW	1		X	X	M8 X 90
	14M7298	FLANGE NUT	1		X	X	M8
17	19M7801	SCREW	1		X	X	M8 X 60
	14M7298	FLANGE NUT	1		X	X	M8
18	H109046	CLAMP	4		X	X	
19	H133659	BRACKET	1		X	X	
20	H111730	CLAMP	4		X	X	
21	H112567	PLATE	3		X	X	
22	19M7979	SCREW	1		X	X	M8 X 55
	14M7298	FLANGE NUT	1		X	X	M8
23	H115533	CLAMP	4		X	X	
24	AH131316	HYDRAULIC LINE	1		X	X	(PRESSURE)
25	AH131302	OIL LINE	1		X	X	(RETURN)
26	03M7216	BOLT	2		X	X	M8 X 50
	14M7298	FLANGE NUT	2		X	X	M8

2E22

STEERING LINES, R.H. SIDE
HP8553 -UN-13MAY99



HP8553

STEERING LINES, R.H. SIDE - CONTINUED

KEY	PART NO.	PART NAME	QTY	SERIAL NO.	9 5 9 5 5 0 5 S 0 H	REMARKS
1	T77613	O-RING	4		X X	
2	T81029	NUT	1		X X	
3	24M7114	WASHER	1		X X	19 X 30 X 4 MM
4	H128515	CLAMP	8		X X	
5	H121163	COVER	4		X X	
6	03M7188	BOLT	4		X X	M8 X 40
	14M7298	FLANGE NUT	4		X X	M8
7	AH140715	HYDRAULIC LINE	1		X X	R.H.
8	AH140714	HYDRAULIC LINE	1		X X	L.H.
9	AH131874	OIL LINE	1		X X	L.H.
10	AH131875	OIL LINE	1		X X	R.H.
11	T77857	O-RING	1		X X	

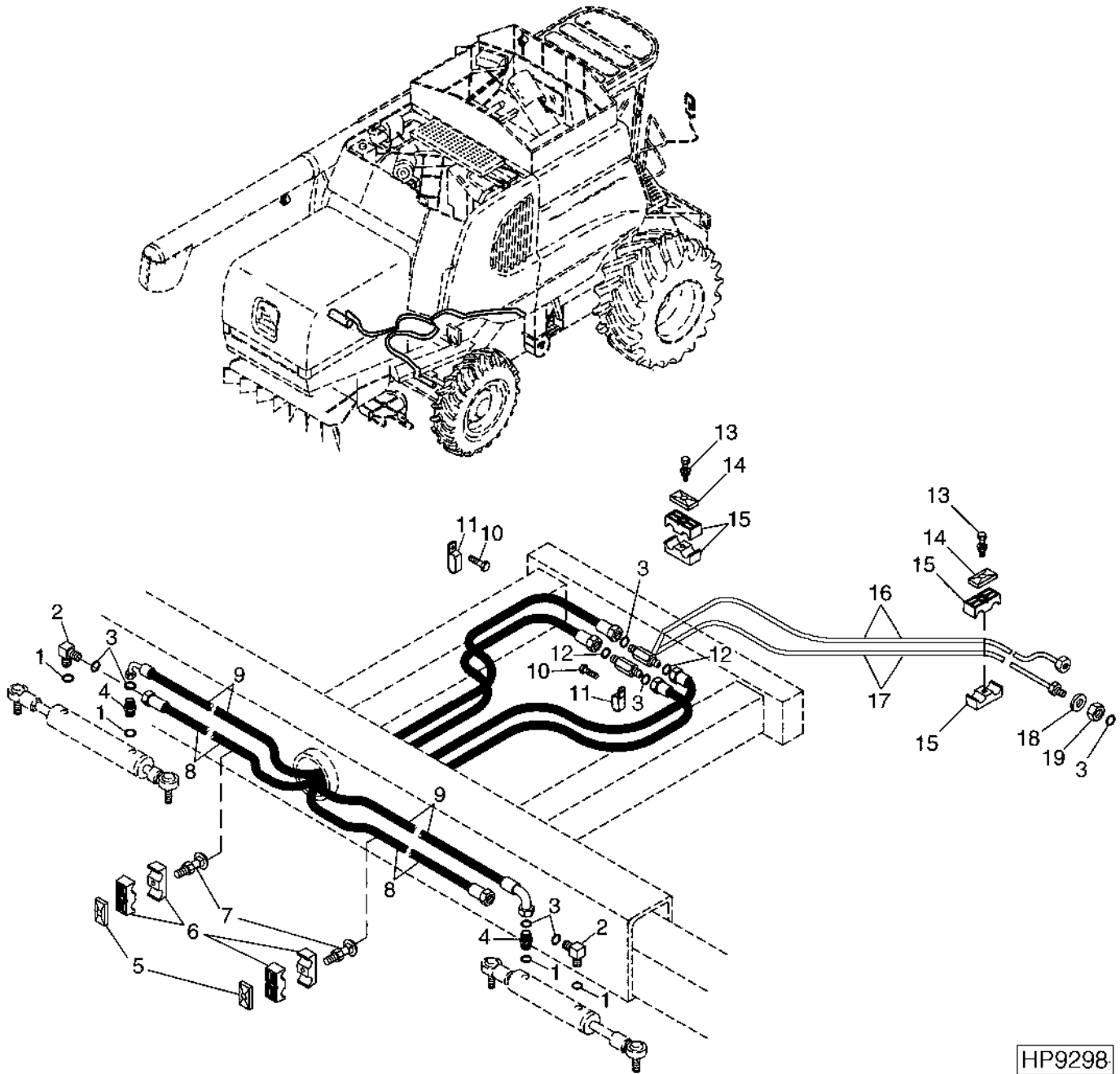
2E24

STEERING LINES AND HOSES, REAR

(DUAL CYLINDER)

HP9298

-UN-19NOV99



HP9298

2E25

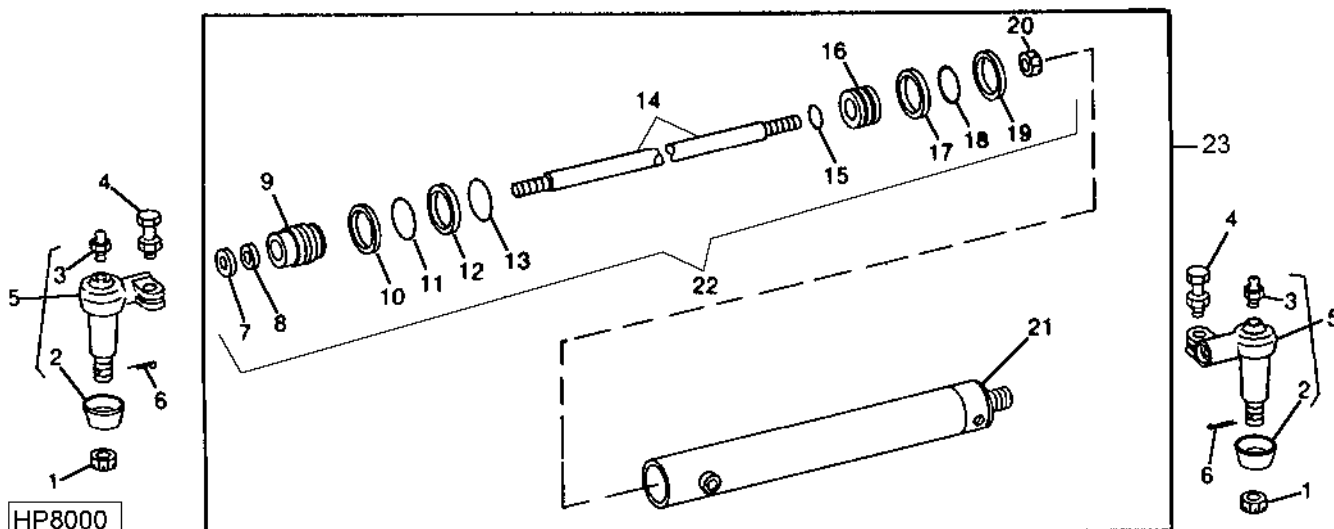
STEERING AND BRAKES

STEERING LINES AND HOSES, REAR - CONTINUED (DUAL CYLINDER)

KEY	PART NO.	PART NAME	QTY	SERIAL NO.	9 5 9 5 5 0 5 S 0 H	REMARKS
1	R26448	O-RING	4		X X	11.887 X 1.981 MM
2	38H1004	ELBOW FITTING	2		X X	
3	T77613	O-RING	7		X X	9.246 X 1.778 MM
4	38H1160	ADAPTER	2		X X	
5	H121168	PLATE	2		X X	
6	H135156	CLAMP	4		X X	
7	03M7280	BOLT	2		X X	M6 X 45
	14M7303	FLANGE NUT	2		X X	M6
8	AH130890	HYDRAULIC HOSE	2		X	9/16" X 2 452 MM X 11/16"
	AH136367	HYDRAULIC HOSE	2		X	
9	AH130119	HYDRAULIC HOSE	2		X	
	AH136368	HYDRAULIC HOSE	2		X	
10	37M7058	SCREW	2		X X	M8 X 20
11	AH97280	CLIP	2		X X	
12	T77814	O-RING	2		X X	7.645 X 1.778 MM
13	19M8317	SCREW	2		X X	M8 X 40
	14M7298	FLANGE NUT	2		X X	M8
14	H121163	COVER	2		X X	
15	H128515	CLAMP	4		X X	
16	AH120872	OIL LINE	1		X X	R.H.
17	AH120876	OIL LINE	1		X X	L.H.
18	24M7114	WASHER	1		X X	19 X 30 X 4 MM
19	T81029	NUT	1		X X	17.475 MM

2F1

STEERING CYLINDER
HP8000 -UN-06JAN99



KEY	PART NO.	PART NAME	QTY	SERIAL NO.	0 H	REMARKS
1	14H902	NUT	2		X X	3/4"
2	R78027	COVER	2		X X	
3	JD7797	LUBRICATION FITTING	2		X X	
4	19H1765	CAP SCREW	2		X X	3/8" X 1-3/4" (USE WITH O.AND S.)
	H99923	LOCK NUT	2		X X	9.525 MM (3/8") (USE WITH O.AND S.)
	19H1740	CAP SCREW	2		X X	7/16" X 1-3/4" (USE WITH TRW)
	H80440	LOCK NUT	2		X X	11.125 MM (7/16") (USE WITH TRW)
5	AH117566	TIE ROD END	2		X X	
6	11M7092	COTTER PIN	2		X X	3.200 X 40 MM
7	SEAL	1		X X	
8	SEAL	1		X X	
9	GUIDE	1		X X	
10	SNAP RING	1		X X	
11	RING	1		X X	
12	WASHER	1		X X	
13	O-RING	1		X X	
14	ROD	1		X X	
15	O-RING	1		X X	
16	PISTON	1		X X	
17	PISTON RING	1		X X	
18	O-RING	1		X X	
19	WEAR RING	1		X X	
20	LOCK NUT	1		X X	
21	HYDRAULIC CYLINDER BARREL	1		X X	
22	AH101202	KIT	1		X X	SEAL REPAIR
23	AH125658	HYDRAULIC CYLINDER	1		X X	

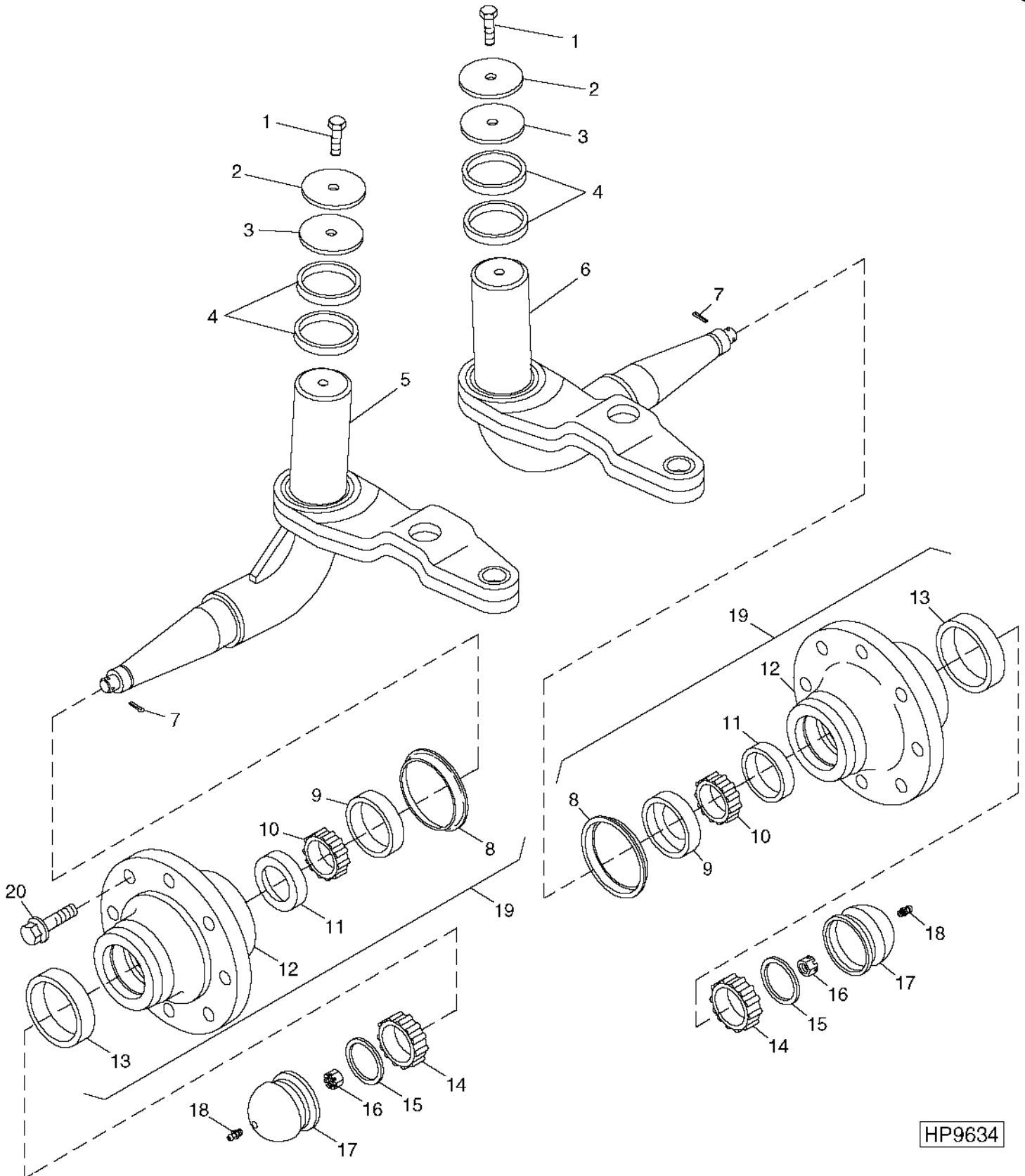
NOTE: QUANTITIES SHOWN ARE FOR ONE UNIT. TWO UNITS USED PER MACHINE.

MEMORANDA

2F2

REAR AXLE SPINDLES (REGULAR DUTY) (FIXED AND ADJUSTABLE REAR AXLE)

HP9634 -UN-24MAR00



HP9634

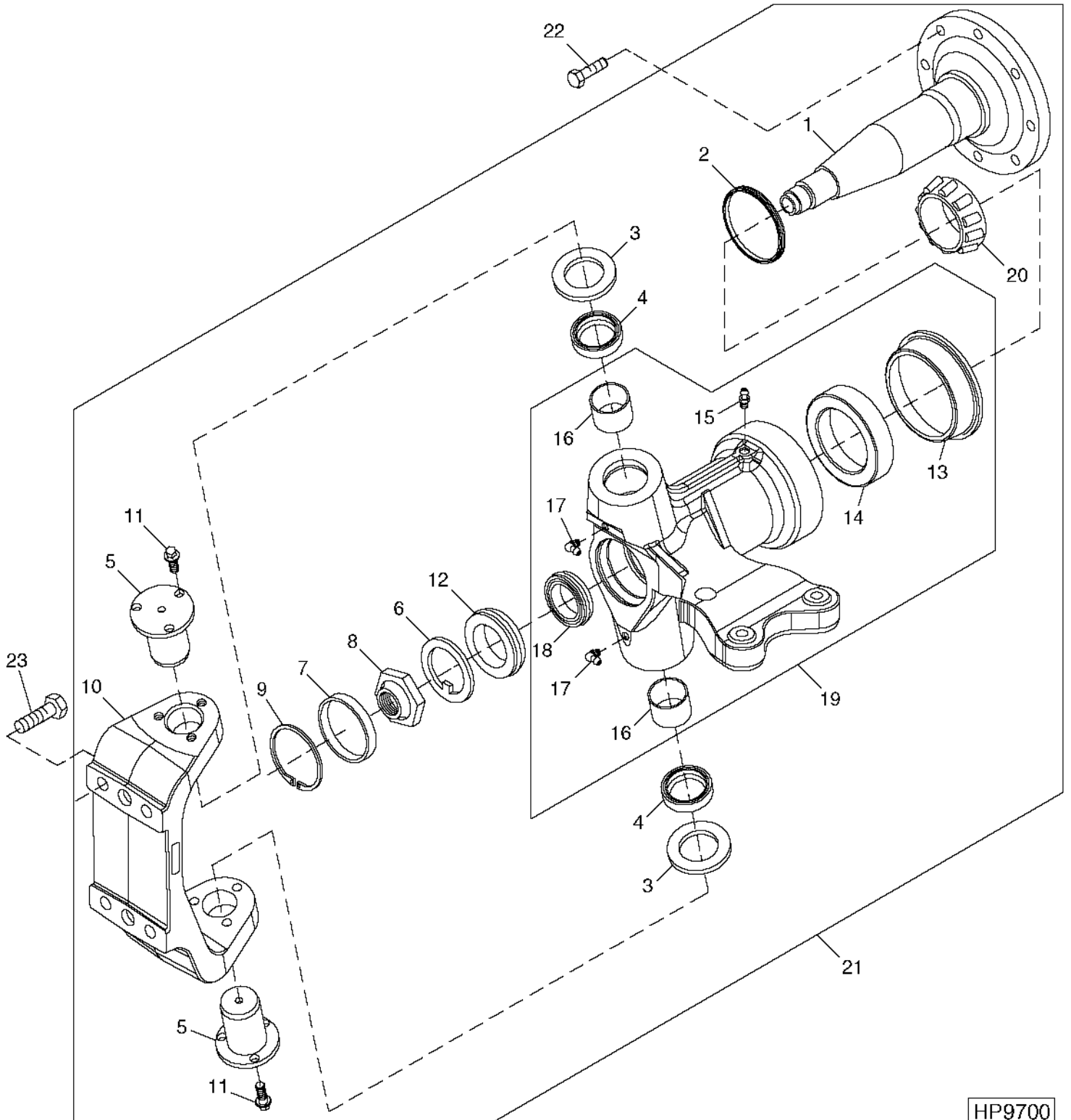
2F3

REAR AXLE SPINDLES (REGULAR DUTY) - CONTINUED
(FIXED AND ADJUSTABLE REAR AXLE)

KEY	PART NO.	PART NAME	QTY	SERIAL NO.	9 5 9 5 5 0 5 S 0 H	REMARKS
1	19M8017	CAP SCREW	2		X	
2	24H1916	WASHER	2		X	
3	H96869	CAP	2		X	
4	H102206	THRUST BEARING	4		X	
5	AH162571	SPINDLE	1		X	L.H.
6	AH162572	SPINDLE	1		X	R.H.
7	11M7030	COTTER PIN	2		X	5 X 40 MM
8	H94951	SLEEVE	2		X	
9	AH93892	SEAL	2		X	
10	JD8952	BEARING	2		X	
11	JD8258	BEARING CUP	2		X	
12	HUB	2		X	
13	JD8237	BEARING CUP	2		X	
14	JD8902	BEARING CONE	2		X	
15	R30399	WASHER	2		X	
16	14H920	NUT	2		X	1"
17	H94950	CAP	2		X	
18	JD7759	LUBRICATION FITTING	2		X	STRAIGHT, 1/8"
19	AH162573	HUB	2		X	
20	H168476	SCREW	8		X	

2F4

REAR AXLE SPINDLES (HEAVY DUTY) HP9700 -UN-12APR00



HP9700

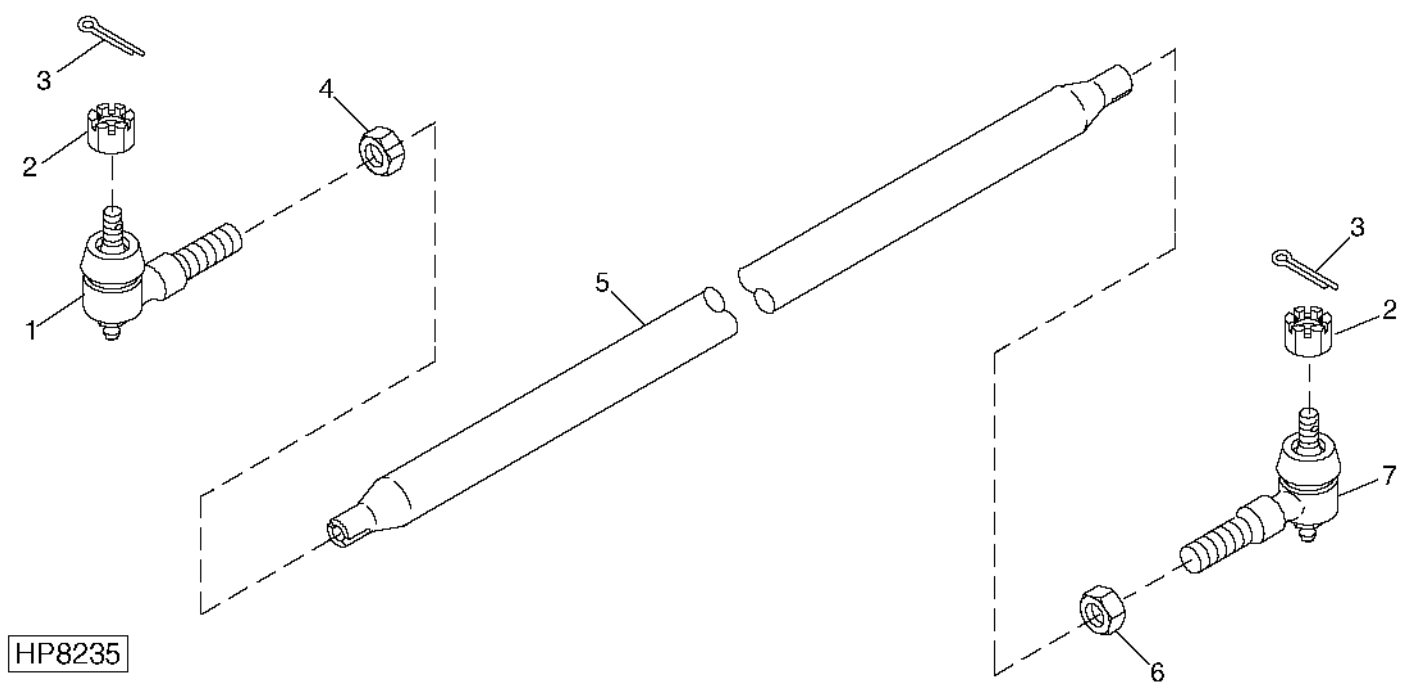
2F5

REAR AXLE SPINDLES (HEAVY DUTY) - CONTINUED

KEY	PART NO.	PART NAME	QTY	SERIAL NO.	9550		REMARKS
					0	H	
1	H164559	SPINDLE	1		X	X	
2	RE49243	SEAL	1		X	X	
3	R60239	THRUST WASHER	2		X	X	
4	AR86539	SEAL	2		X	X	
5	H164561	PIN	2		X	X	
6	H169128	WASHER	1		X	X	
7	T12529	CAP	2		X	X	
8	H174361	NUT	1		X	X	
9	40M7117	SNAP RING	1		X	X	
10	H174081	YOKE	1		X	X	(SUB FOR H164562)
11	19M7786	SCREW	6		X	X	M10 X 30
12	JD9043	BEARING CONE	1		X	X	
13	R57269	OIL CUP	1		X	X	
14	JD7448	BEARING CUP	1		X	X	
15	JD7798	LUBRICATION FITTING	1		X	X	
16	R68102	BUSHING	2		X	X	
17	JD7799	LUBRICATION FITTING	2		X	X	
18	JD9109	BEARING CUP	1		X	X	
19	AH162466	SPINDLE	1		X	X	R.H.
	AH162467	SPINDLE	1		X	X	L.H.
20	JD10462	BEARING CONE	1		X	X	
21	AH162146	SPINDLE	1		X	X	R.H.
	AH162147	SPINDLE	1		X	X	L.H.
22	H168476	SCREW	8		X	X	M16 X 55
23	19M8002	CAP SCREW	4		X	X	M20 X 55

2F6

**STEERING TIE RODS
(FIXED REAR AXLE)**
HP8235 -UN-21APR99



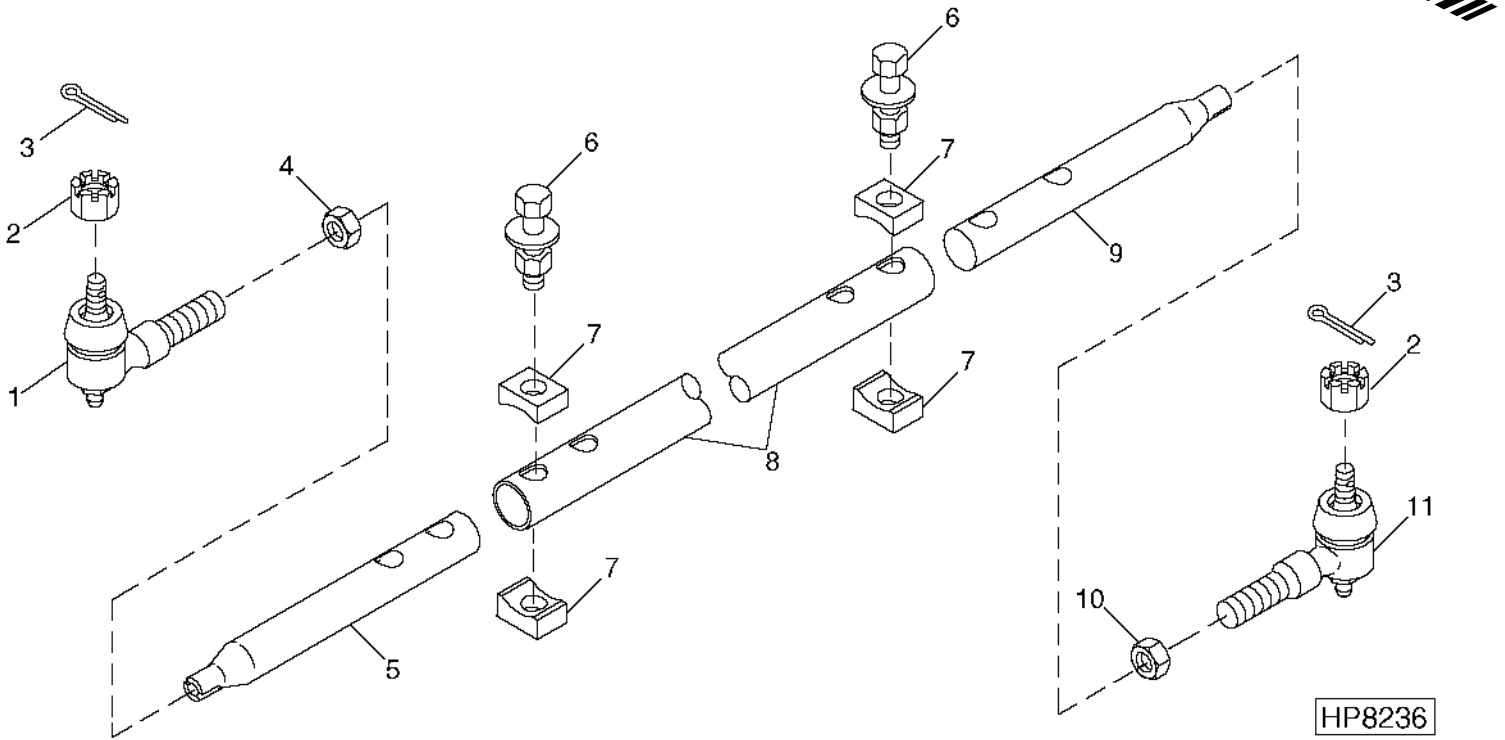
HP8235

KEY	PART NO.	PART NAME	QTY	SERIAL NO.	REMARKS
1	RE12326	TIE ROD END	1	X	(L.H.THREAD)
2	14H902	NUT	2	X	
3	11M7087	COTTER PIN	2	X	
4	R78026	NUT	1	X	(L.H.)
5	H134557	TUBE	1	X	
	H173218	TUBE	1	X	HEAVY DUTY
6	R78025	LOCK NUT	1	X	(R.H.)
7	RE12325	TIE ROD END	1	X	(R.H.THREAD)
..	BH79199	COMPLETE GOODS/SHIP. BUNDLE	1	X	POWERED REAR AXLE CONVERSION (TIE ROD)

9
5
9 5
5 0
5 S
0 H

**STEERING TIE RODS
(ADJUSTABLE REAR AXLE)**

HP8236 -UN-24FEB99



9
5
9 5
5 0
5 S
0 H

KEY	PART NO.	PART NAME	QTY	SERIAL NO.	REMARKS
1	RE12326	TIE ROD END	1	X	(L.H. THREAD)
2	14H902	NUT	2	X	
3	11M7087	COTTER PIN	2	X	
4	R78026	NUT	1	X	(L.H.)
	14M7401	LOCK NUT	4	X	M12
5	H136335	TUBE	1	X	L.H. (4-WHEEL DRIVE REAR AXLE) (ILLUSTRATED)
	H130227	TUBE	1	X	L.H. (ADJUSTABLE REAR AXLE)
6	19M7820	SCREW	4	X	M12 X 100
7	H139807	CLAMP	8	X	
8	H140382	TUBE	1	X	CENTER (ADJUSTABLE REAR AXLE) (ILLUSTRATED)
	H140383	TUBE	1	X	CENTER (4-WHEEL DRIVE REAR AXLE)
9	H136334	TUBE	1	X	R.H. (4-WHEEL DRIVE REAR AXLE) (ILLUSTRATED)
	H130228	TUBE	1	X	R.H. (ADJUSTABLE REAR AXLE)
10	R78025	LOCK NUT	1	X	(R.H.)
11	RE12325	TIE ROD END	1	X	(R.H. THREAD)

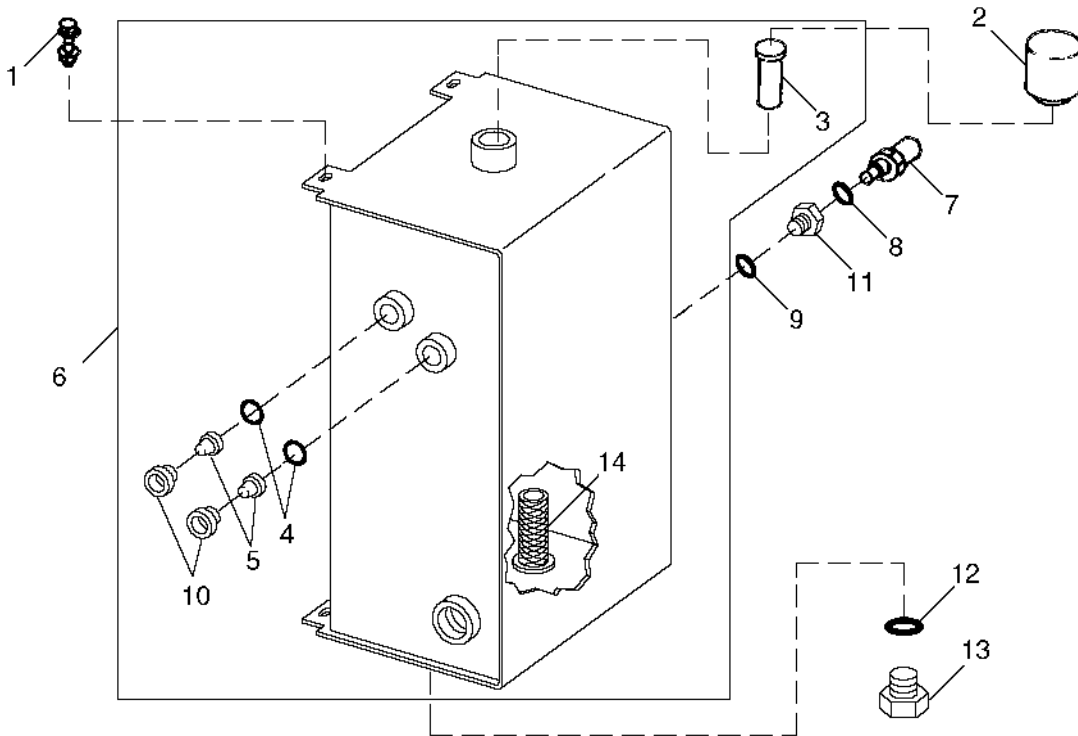
MEMORANDA

2F11

HYDRAULICS

HYDRAULIC / HYDROSTATIC OIL RESERVOIR AND MOUNTINGS

HP9079 -UN-20SEP99



HP9079

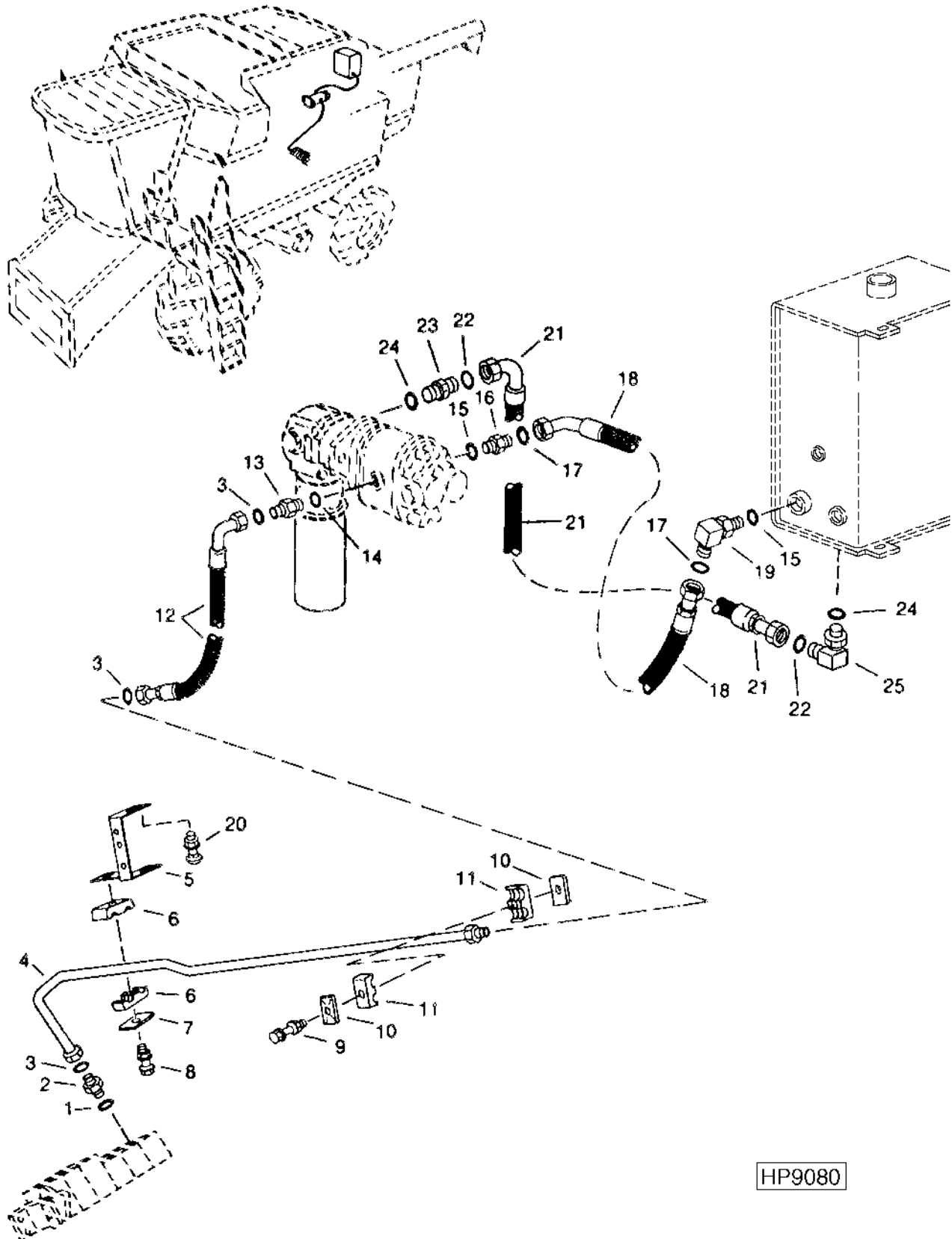
9
5
9 5
5 0
5 S
0 H

KEY	PART NO.	PART NAME	QTY	SERIAL NO.	REMARKS
1	19M7866	SCREW	4	X X	M8 X 20
	14M7298	FLANGE NUT	4	X X	M8
2	AZ49144	CAP	1	X X	
3	AH135064	STRAINER	1	X X	
4	P48347	O-RING	2	X X	
5	N209312	LENS	2	X X	OIL LEVEL
6	AH157973	HYDRAULIC RESERVOIR	1	X X	
7	AH156144	COOLANT TEMPERATURE SENSOR	1	X X	
8	51M7040	O-RING	1	X X	
9	R26375	O-RING	1	X X	16.358 X 2.210 MM
10	N205022	RETAINER	2	X X	
11	T28256	COUPLING	1	X X	
12	R26448	O-RING	1	X X	
13	R27218	FITTING PLUG	1	X X	2-WHEEL DRIVE
14	AH131334	SCREEN	1	X X	

2F12

HYDRAULIC PRESSURE LINES AND HOSES

HP9080 -UN-20SEP99



HP9080

2F13

HYDRAULICS

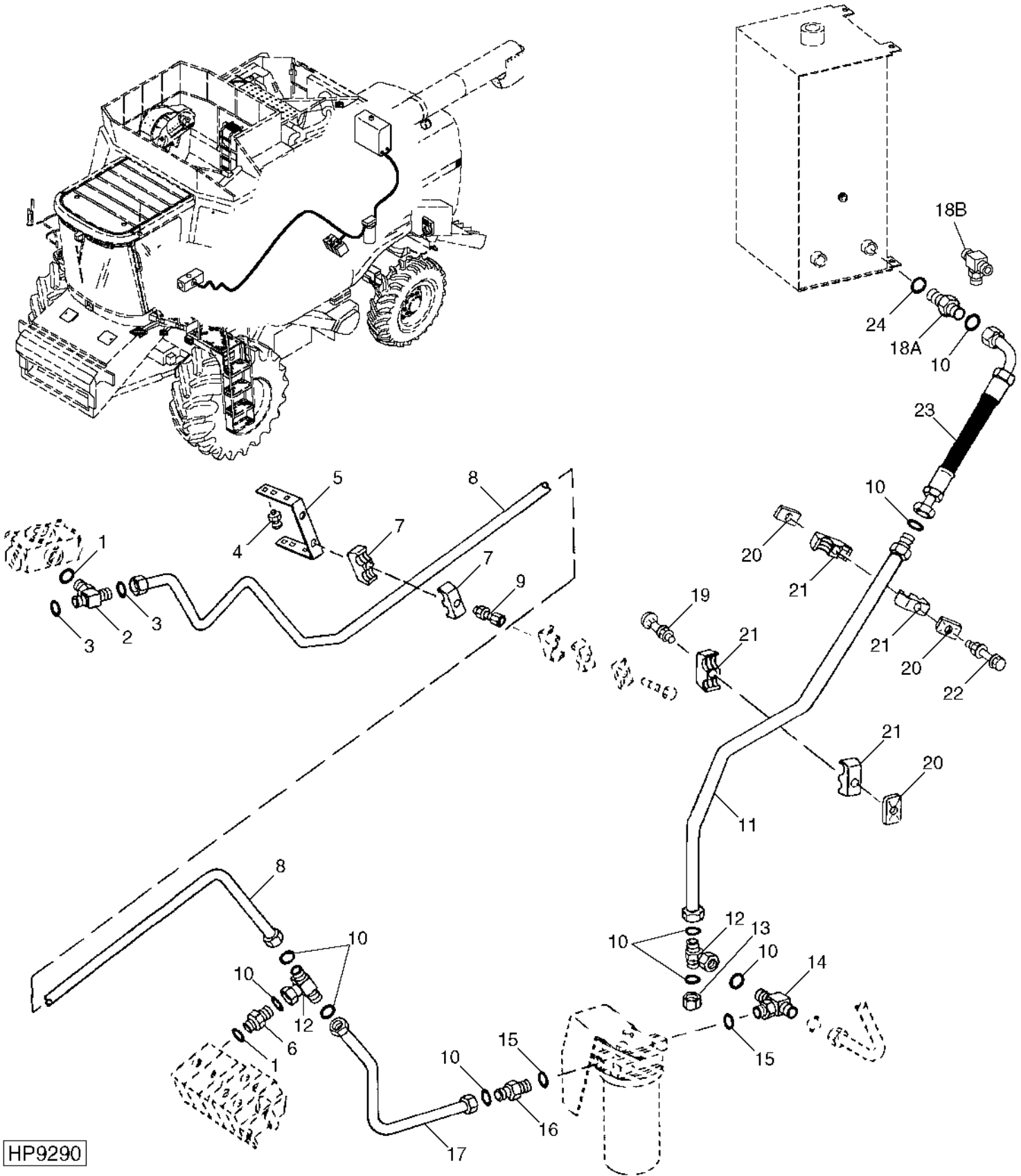
HYDRAULIC PRESSURE LINES AND HOSES - CONTINUED

KEY	PART NO.	PART NAME	QTY	SERIAL NO.	0 H	REMARKS
					9	
					5	
					9	
					5	
					0	
					5	
					S	
					0	
					H	
1	R26375	O-RING	1		X X	16.358 X 2.210 MM
2	38H1317	FITTING	1		X X	
3	T77932	O-RING	3		X X	15.596 X 1.778 MM
4	AH161714	LINE	1		X X	
5	H133659	BRACKET	1		X X	
6	H109046	CLAMP	2		X X	
7	H121168	PLATE	1		X X	
8	19M8318	SCREW	1		X X	M8 X 45
	14M7298	FLANGE NUT	1		X X	M8
9	19M7801	SCREW	1		X X	M8 X 60
	14M7298	FLANGE NUT	1		X X	M8
10	H112567	PLATE	2		X X	
11	H111730	CLAMP	2		X X	
12	AH166953	HYDRAULIC HOSE	1		X	
	AH136110	HYDRAULIC HOSE	1		X	1" X 875 MM X 1"
13	38H1162	ADAPTER	1		X X	
14	R26906	O-RING	1		X X	19.177 X 2.464 MM
15	R29936	O-RING	2		X X	29.743 X 2.946 MM
16	38H1164	ADAPTER	1		X X	
17	T76938	O-RING	2		X X	23.520 X 1.778 MM
18	AH126240	HYDRAULIC HOSE	1		X X	1-7/16" X 600 MM X 1-7/16"
19	38H1037	ELBOW FITTING	1		X X	
20	03M7184	BOLT	4		X X	M8 X 20 (RD. HEAD)
	14M7396	LOCK NUT	4		X X	M8
21	AH126242	HYDRAULIC HOSE	1		X X	1-7/16" X 730 MM X 1-7/16"
22	T76938	O-RING	2		X X	23.520 X 1.778 MM
23	38H1164	ADAPTER	1		X X	
24	R29936	O-RING	2		X X	29.743 X 2.946 MM
25	38H1037	ELBOW FITTING	1		X X	

2F14

HYDRAULIC RESERVOIR LINES AND HOSES

HP9290 -UN-17NOV99



HP9290

2F15

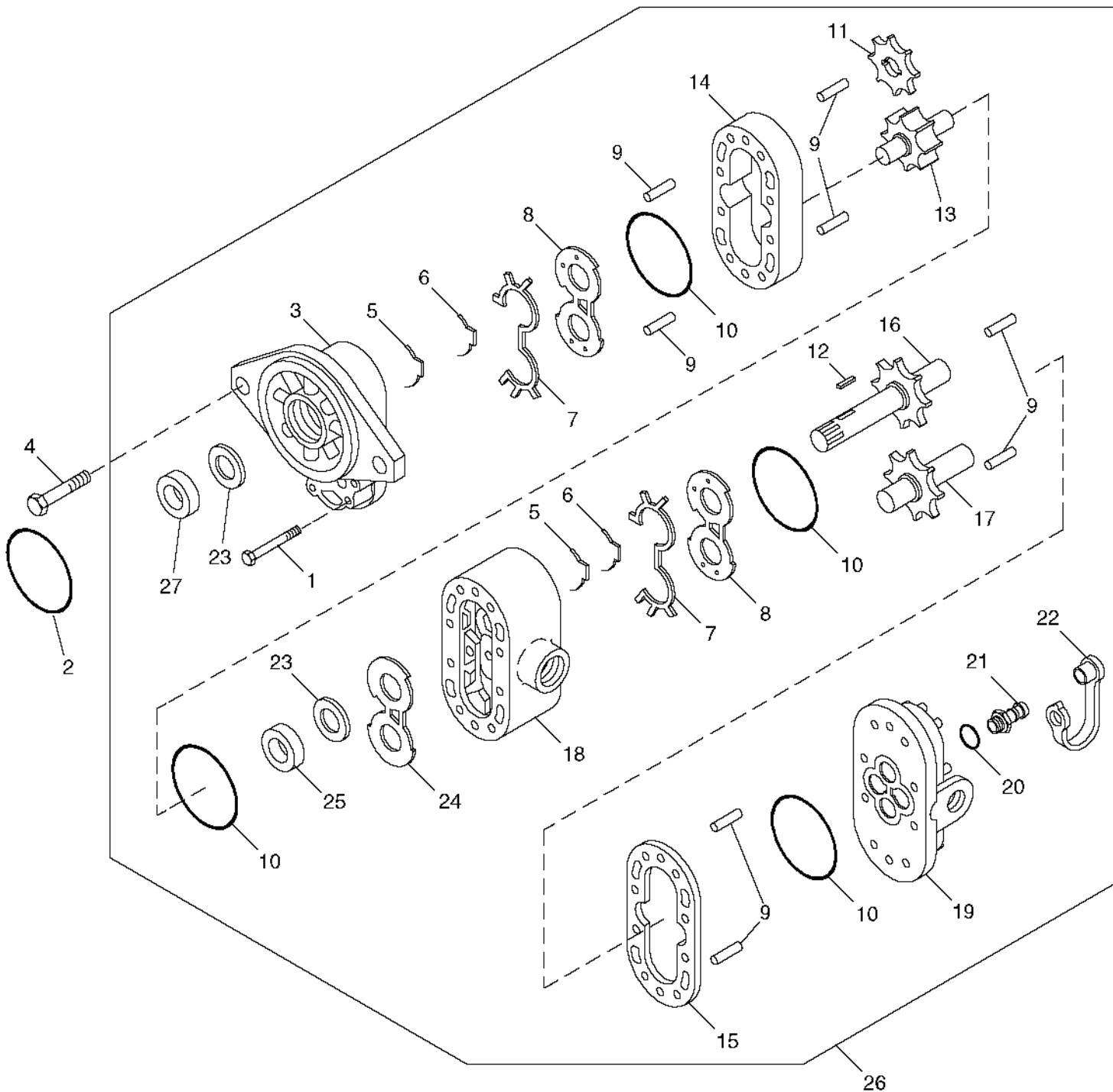
HYDRAULICS

HYDRAULIC RESERVOIR LINES AND HOSES - CONTINUED

KEY	PART NO.	PART NAME	QTY	SERIAL NO.	9550		REMARKS
					0	H	
1	R26906	O-RING	2		X	X	
2	38H1018	TEE FITTING	1		X	X	
3	T77932	O-RING	2		X	X	
4	03M7184	BOLT	4		X	X	M8 X 20
	14M7298	FLANGE NUT	4		X	X	M8
5	H131115	BRACKET	1		X	X	(RD. HEAD)
6	38H1193	ADAPTER	1		X	X	
7	H120847	CLAMP	2		X	X	
8	AH128851	OIL LINE	1		X	X	(REEL RETURN)
9	19M7913	SCREW	1		X	X	M8 X 90
	14M7298	FLANGE NUT	1		X	X	M8
10	T77858	O-RING	9		X	X	18.771 X 1.778 MM, (UPPER RETURN)
11	AH152665	LINE	1		X	X	(RETURN)
12	38H1041	TEE FITTING	2		X		
13	38H1418	FITTING PLUG	1		X	X	
14	38H1437	TEE FITTING	1		X		
15	R29936	O-RING	2		X		
16	38H1194	ADAPTER	1		X		
17	AH126122	HYDRAULIC LINE	1		X		(RETURN)
18A	38H1163	ADAPTER	1		X		
18B	38H1026	TEE FITTING	1		X		
19	03M7245	BOLT	1		X	X	M8 X 55
	14M7298	FLANGE NUT	1		X	X	M8
20	H112567	PLATE	3		X	X	
21	H114865	CLAMP	4		X	X	
22	19M7801	SCREW	1		X	X	M8 X 60
	14M7298	FLANGE NUT	1		X	X	M8
23	AH152666	HYDRAULIC HOSE	1		X		1-3/16" X 785 MM X 1-3/16", (UPPER RETURN)
	AH126254	HYDRAULIC HOSE	1		X		
24	U12547	O-RING	1		X	X	(RETURN)

2F16

MAIN HYDRAULIC PUMP
HP8298 -UN-16AUG99



HP8298

2F17

HYDRAULICS

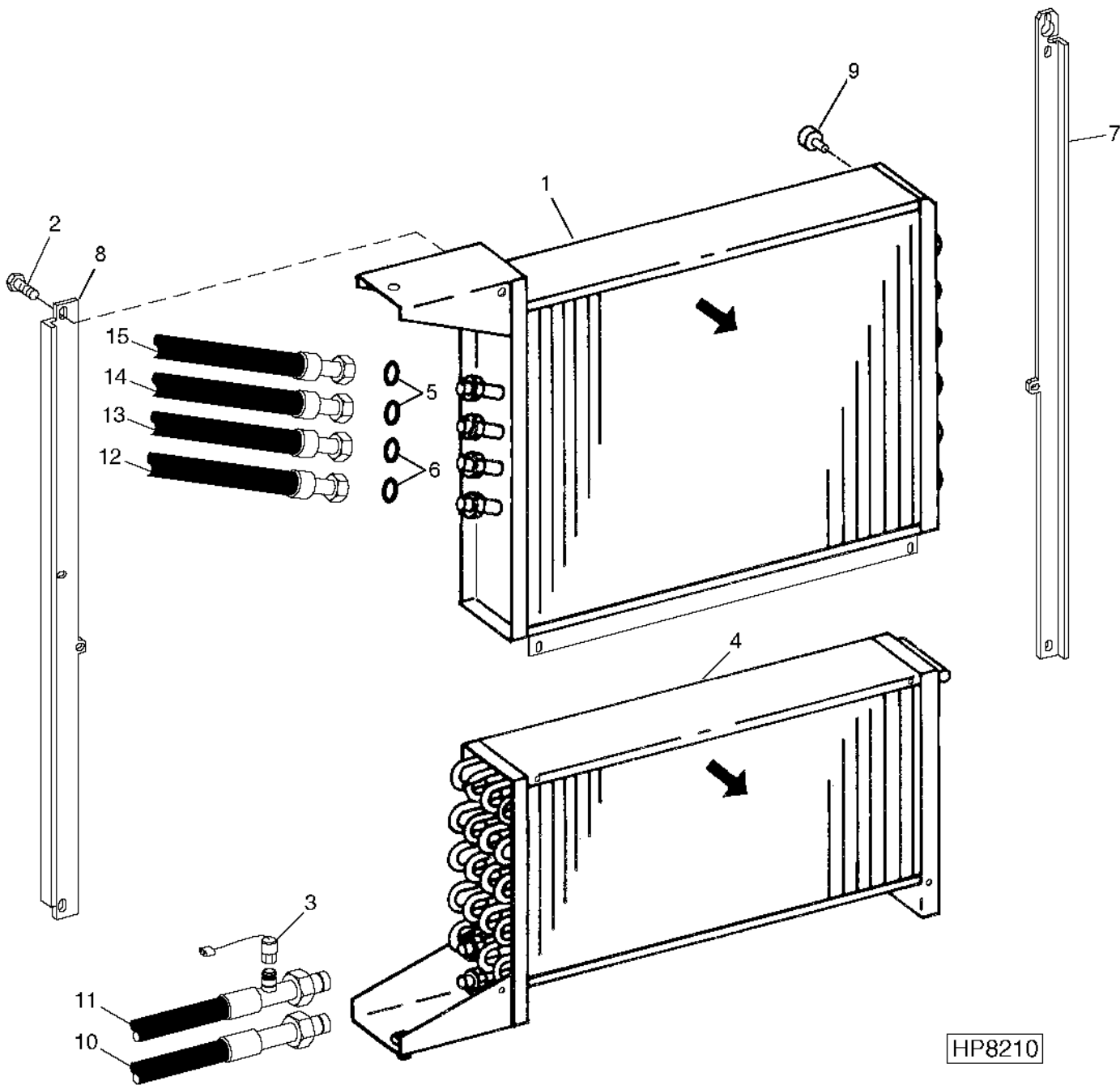
MAIN HYDRAULIC PUMP - CONTINUED

KEY	PART NO.	PART NAME	QTY	SERIAL NO.	9 5 9 5 5 0 5 S 0 H	REMARKS
1	GG310-30411	SCREW	8		X	REGULAR DUTY FINAL DRIVE W/2-1/8" CYLINDER
	H135569	CAP SCREW	8		X	7.925 X 133.350 MM, W/2" LIFT CYLINDER
2	E65288	O-RING	1		X X	
3	PLATE	1		X X	
4	19H1732	CAP SCREW	2		X X	3/8" X 1-1/4"
	12H304	LOCK WASHER	2		X X	3/8"
5	SEAL	2		X X	(A)
6	GASKET	2		X X	(A)
7	GASKET	2		X X	(A)
8	WEAR PLATE	2		X X	(A)
9	H116213	DOWEL PIN	8		X X	
10	H80821	O-RING	4		X X	(A) 75.921 X 1.778 MM
11	PARALLEL SHAFT GEAR DRIVE	1		X X	
12	H125929	SHAFT KEY	1		X X	REGULAR DUTY FINAL DRIVE
13	GEAR	1		X X	
14	HOUSING	1		X X	
15	LINK BODY	1		X X	
16	GEAR	1		X X	
17	GEAR	1		X X	
18	PLATE	1		X X	
19	PLATE	1		X X	
20	R26448	O-RING	1		X X	(A) 11.887 X 1.981 MM
21	AH125760	HYD. QUICK-CONNECT COUPLER	1		X X	
22	R77175	COVER	1		X X	
23	M48869	WASHER	2		X X	(A) 19.215 X 25.337 X 0.813 MM
24	PLATE	1		X X	(A)
25	SEAL	1		X X	
26	AH131183	HYDRAULIC PUMP	1		X	REMANUFACTURED (EATON R25381-RAH) REGULAR DUTY FINAL DRIVE W/2-1/8" LIFT CYLINDER
	AH135806	HYDRAULIC PUMP	1		X	REMANUFACTURED (EATON R25386-RAT) W/2-1/8" LIFT CYLINDER
27	SEAL	1		X X	
..	AH162145	SEAL KIT	1		X	INCLUDES PARTS MARKED (A)

2F18

HYDRAULICS

OIL COOLER AND A/C CONDENSER
HP8210 -UN-03MAR99



HP8210

2F19

HYDRAULICS

OIL COOLER AND A/C CONDENSER - CONTINUED

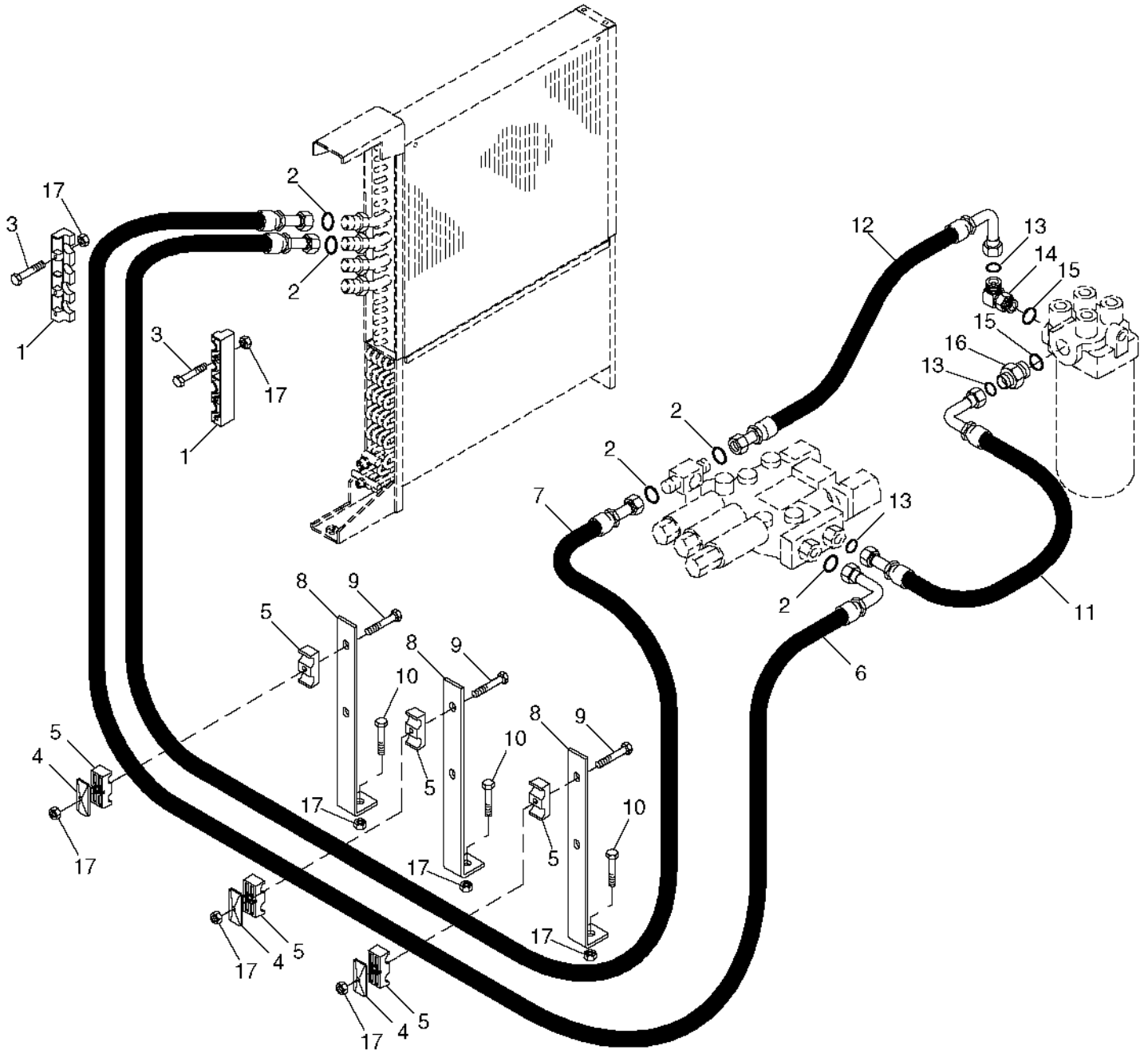
KEY	PART NO.	PART NAME	QTY	SERIAL NO.	9 5 9 5 5 0 5 S 0 H	REMARKS
1	AH149588	OIL COOLER	1		X X	WITHOUT FUEL COOLER
	AH149226	OIL COOLER	1		X X	WITH FUEL COOLER
2	19M7774	SCREW	4		X X	M6 X 12
3	RE24307	HIGH PRESSURE SWITCH	4		X X	
4	AH149618	VAPOR CONDENSER	1		X X	W/O FUEL COOLER
	AH163522	VAPOR CONDENSER	1		X X	WITH FUEL COOLER
5	T77932	O-RING	2		X X	0.614" X 0.070"
6	T77858	O-RING	2		X X	0.739" X 0.070"
7	H162584	BRACKET	1		X X	R.H.
8	H162585	BRACKET	1		X X	L.H.
9	H158596	STOP	1		X X	
10	AH159026	REFRIGERANT HOSE	1		X X	
11	AH159078	REFRIGERANT HOSE	1		X X	
12	AH145235	HYDRAULIC HOSE	1		X X	
13	AH145237	HYDRAULIC HOSE	1		X X	
14	AH145241	HYDRAULIC HOSE	1		X X	
15	AH145239	HYDRAULIC HOSE	1		X X	

2F20

HYDRAULICS

WET CLUTCH OIL COOLER LINES AND HOSES

HP9809 -UN-06JUN00



HP9809

2F21

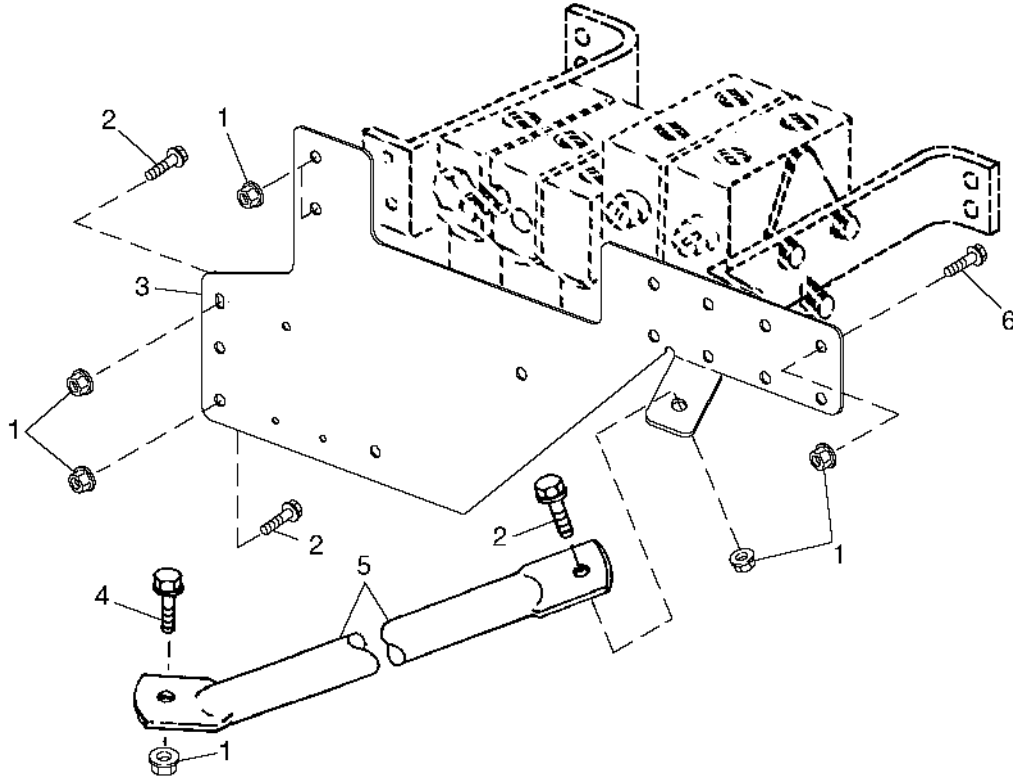
HYDRAULICS

WET CLUTCH OIL COOLER LINES AND HOSES - CONTINUED

KEY	PART NO.	PART NAME	QTY	SERIAL NO.	9 5 9 5 5 0 5 S 0 H	REMARKS
1	H151585	CLAMP	2		X X	
2	T77932	O-RING	5		X X	15.596 X 1.778 MM
3	19M8317	SCREW	6		X X	M8 X 40
4	H112567	PLATE	3		X X	
5	H150983	CLAMP	6		X X	
6	AH145239	HYDRAULIC HOSE	1		X X	IN
7	AH145241	HYDRAULIC HOSE	1		X X	OUT
8	H150980	BRACKET	3		X X	
9	19M7979	SCREW	3		X X	M8 X 55
10	19M7866	SCREW	3		X X	M8 X 20
11	AH128780	HYDRAULIC HOSE	1		X X	13/16" X 725 MM X 13/16"
12	AH128779	HYDRAULIC HOSE	1		X X	1" X 275 MM X 13/16"
13	T77857	O-RING	3		X X	12.421 X 1.778 MM
14	38H1013	ELBOW FITTING	1		X X	
15	U12547	O-RING	2		X X	23.470 X 2.946 MM
16	38H1175	ADAPTER	1		X X	
17	14M7298	FLANGE NUT	12		X X	M8

2F22

SOLENOID CONTROL VALVE BRACKETS
 HP8082 -UN-03MAR99



HP8082

KEY	PART NO.	PART NAME	QTY	SERIAL NO.	REMARKS
1	14M7298	FLANGE NUT	8		
2	19M7866	SCREW	2		
3	H166148	BRACKET	1		
4	19M7803	SCREW	1		
5	H158638	BRACE	1		
6	19M7897	SCREW	4		

9
5
9 5
5 0
5 S
0 H

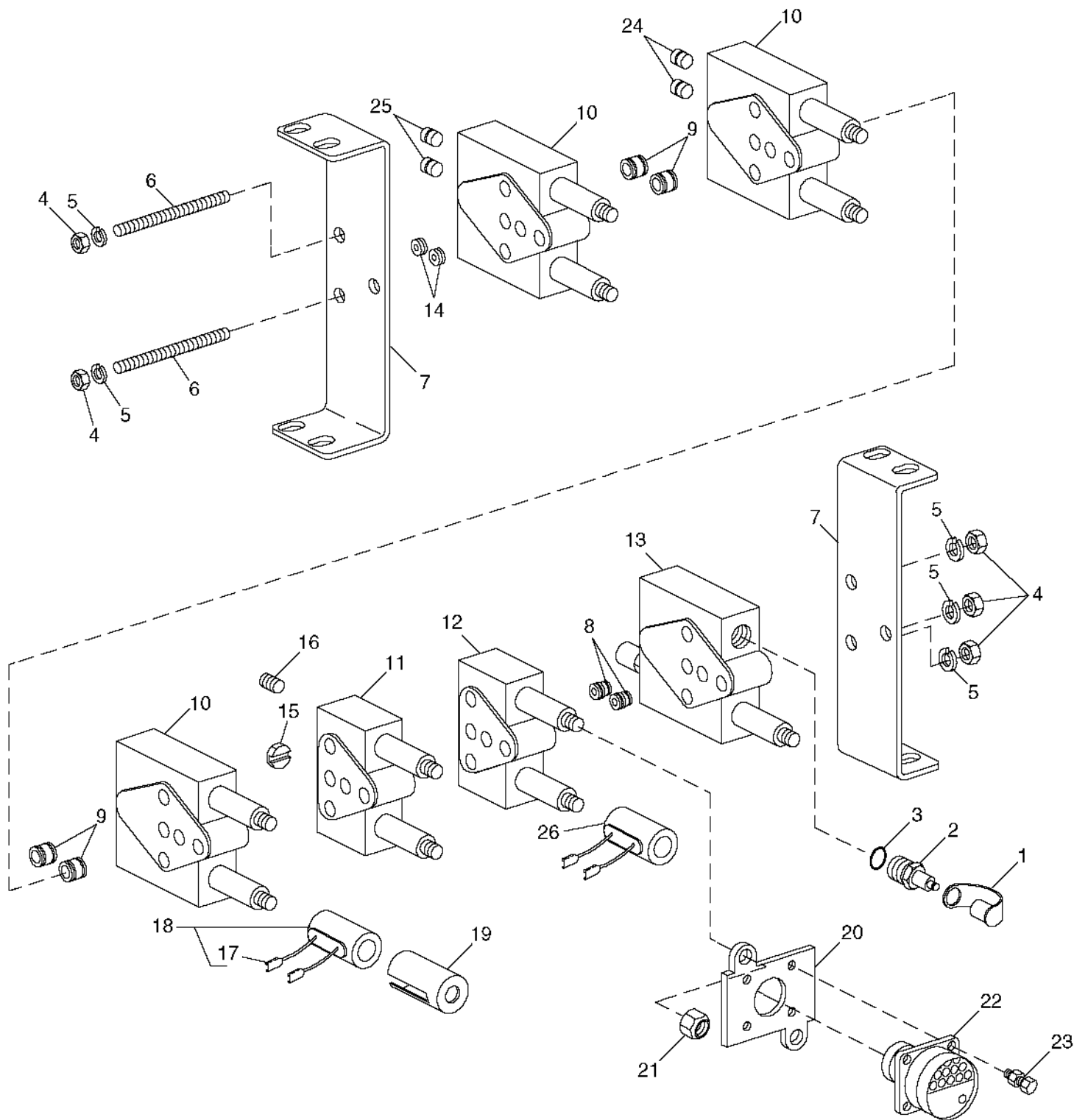
MEMORANDA

2F23

HYDRAULICS

SIX STACK SOLENOID CONTROL VALVE MODULE ASSEMBLY AND MOUNTINGS

HP9499 -UN-14JAN00



HP9499

2F24

HYDRAULICS

**SOLENOID CONTROL VALVE MODULE ASSEMBLY AND MOUNTINGS - CONTINUED
SIX STACK**

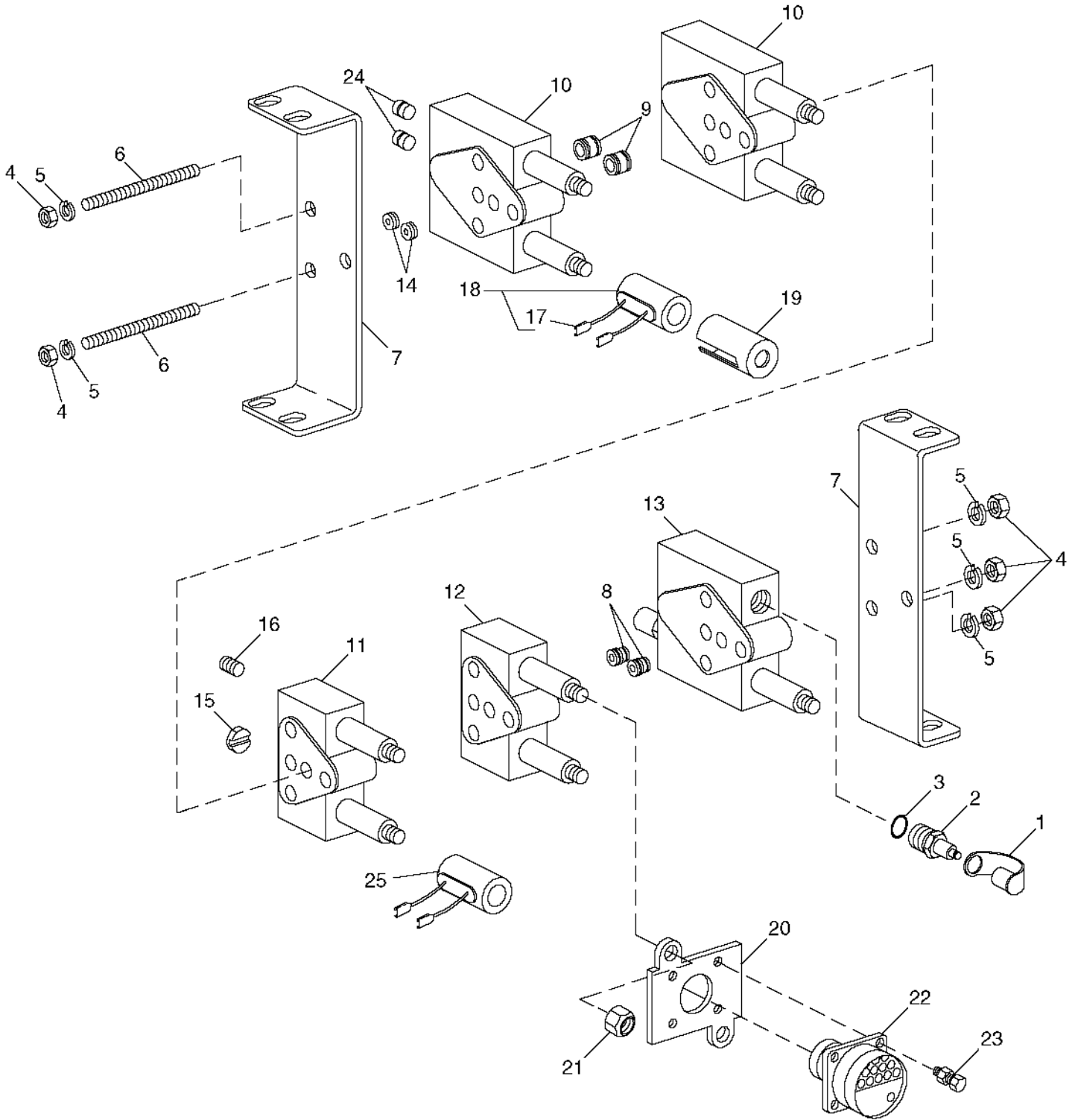
KEY	PART NO.	PART NAME	QTY	SERIAL NO.	REMARKS
					9 5 9 5 5 0 5 S 0 H
1	R77175	COVER	1	X X	PLATE
2	AH125760	HYD. QUICK-CONNECT COUPLER	1	X X	
3	R26448	O-RING	1	X X	11.887 X 1.981 MM
4	14H786	NUT	6	X X	1/4"
5	12H297	LOCK WASHER	6	X X	1/4"
6	E62892	STUD	3	X X	1/4" X 11-3/4" (CUT TO LENGTH)
7	H168170	BRACKET	2	X X	
8	AZ50073	SEAL	2	X X	(WITH O-RING)
9	AH161527	SEAL	8	X X	(WITH O-RING)
10	AH161526	VALVE	3	X X	(1) REEL FORE/AFT (1) AUGER SWING (1) CONTOUR MASTER
11	AH139060	VALVE	1	X X	REEL LIFT/VSC
12	AH147084	VALVE	1	X X	HEADER LIFT
13	AH164450	VALVE	1	X X	UNLOAD (RELIEF)
14	AH161529	SEAL	2	X X	
15	H145051	APERTURE	1	X X	.940 MM DIA.
16	AH164500	ORIFICE	1	X X	.457 MM DIA.
17	R77464	PIN CONTACT	AR	X X	(PACKAGE OF 50)
18	AH161530	ELECTRICAL COIL	7	X X	(USE ON MODULES 10 AND 13)
19	E62942	COVER	11	X X	
20	H168171	COVER	2	X X	
21	A4655R	NUT	7	X X	12.700 MM
22	57M7199	RECEPTACLE	2	X X	(24 WAY)
23	21H1290	SCREW	8	X X	0.138" X 1/2"
	14H1026	NUT	8	X X	0.138"
24	H135777	ORIFICE	2	X X	0.76MM DIA.
25	Z60904	ORIFICE	2	X X	0.66 MM DIA.
26	AH124731	ELECTRICAL COIL	4	X X	(USE ON MODULES 11 AND 12)

2G1

SOLENOID CONTROL VALVE MODULE ASSEMBLY AND MOUNTINGS

FIVE STACK

HP9498 -UN-14JAN00



HP9498

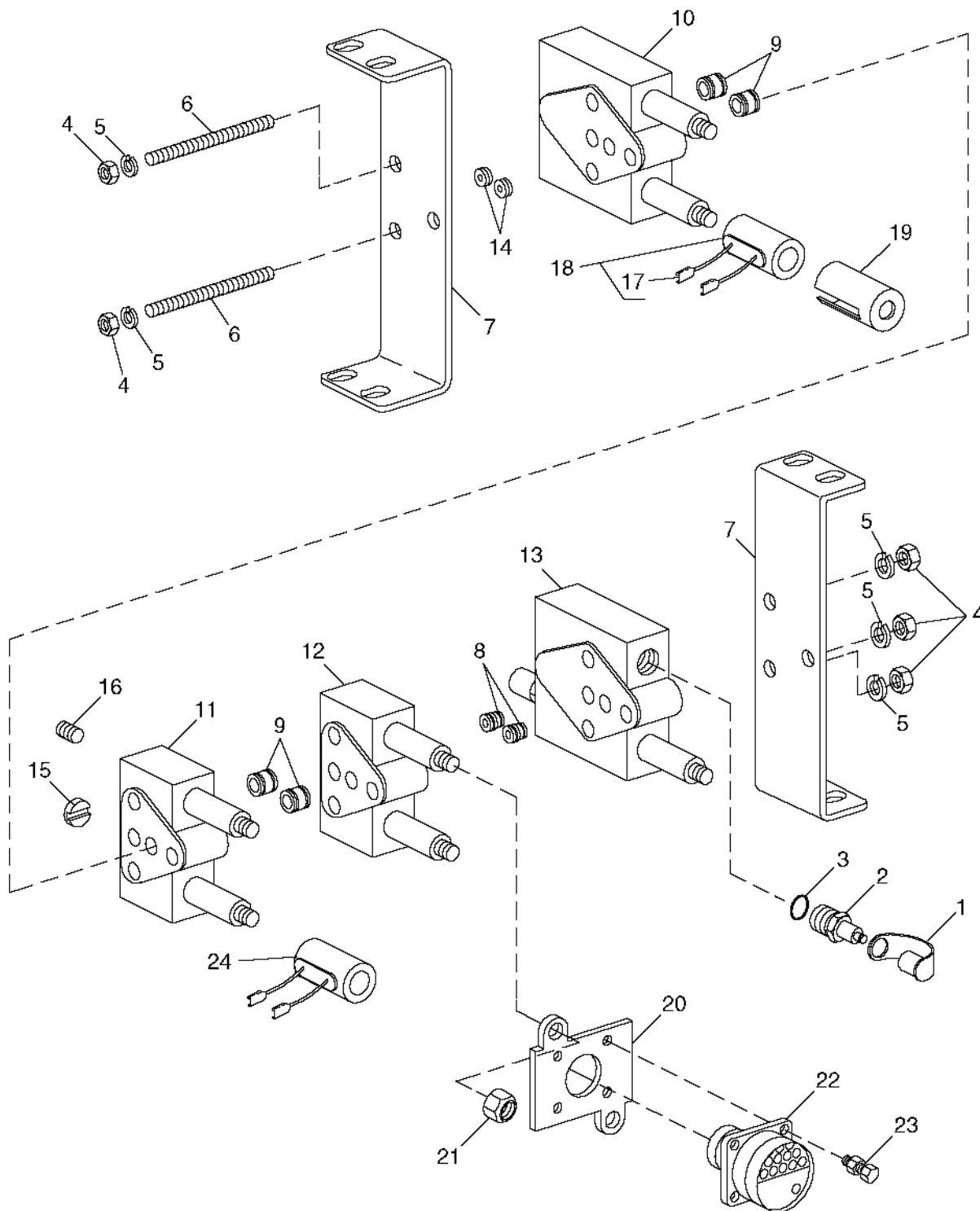
**SOLENOID CONTROL VALVE MODULE ASSEMBLY AND MOUNTINGS - CONTINUED
FIVE STACK**

KEY	PART NO.	PART NAME	QTY	SERIAL NO.	REMARKS
					9 5 9 5 5 0 5 S 0 H
1	R77175	COVER	1	X X	
2	AH125760	HYD. QUICK-CONNECT COUPLER	1	X X	
3	R26448	O-RING	1	X X	11.887 X 1.981 MM
4	14H786	NUT	6	X X	1/4"
5	12H297	LOCK WASHER	6	X X	1/4"
6	E62892	STUD	3	X X	1/4" X 11-3/4" (CUT TO LENGTH)
7	H168170	BRACKET	2	X X	
8	AZ50073	SEAL	2	X X	(WITH O-RING)
9	AH161527	SEAL	6	X X	(WITH O-RING)
10	AH161526	VALVE	2	X X	REEL FORE/AFT AND AUGER EXTEND/RETRACT
11	AH139060	VALVE	1	X X	REEL LIFT/VSC
12	AH147084	VALVE	1	X X	HEADER LIFT
13	AH164450	VALVE	1	X X	UNLOAD (RELIEF)
14	AH161529	SEAL	2	X X	
15	H145051	APERTURE	1	X X	.940 MM DIA.
16	AH164500	ORIFICE	1	X X	.457 MM DIA.
17	R77464	PIN CONTACT	AR	X X	(PACKAGE OF 50)
18	AH161530	ELECTRICAL COIL	5	X X	(USE ON MODULES 10 AND 13)
19	E62942	COVER	9	X X	
20	H168171	COVER	2	X X	PLATE
21	A4655R	NUT	7	X X	12.700 MM
22	57M7199	RECEPTACLE	2	X X	(24 WAY)
23	21H1290	SCREW	8	X X	0.138" X 1/2"
	14H1026	NUT	8	X X	0.138"
24	H135777	ORIFICE	2	X X	0.76MM DIA.
25	AH124731	ELECTRICAL COIL	4	X X	(USE ON MODULES 11 AND 12)

SOLENOID CONTROL VALVE MODULE ASSEMBLY AND MOUNTINGS

FOUR STACK

HP9497 -UN-14JAN00



HP9497

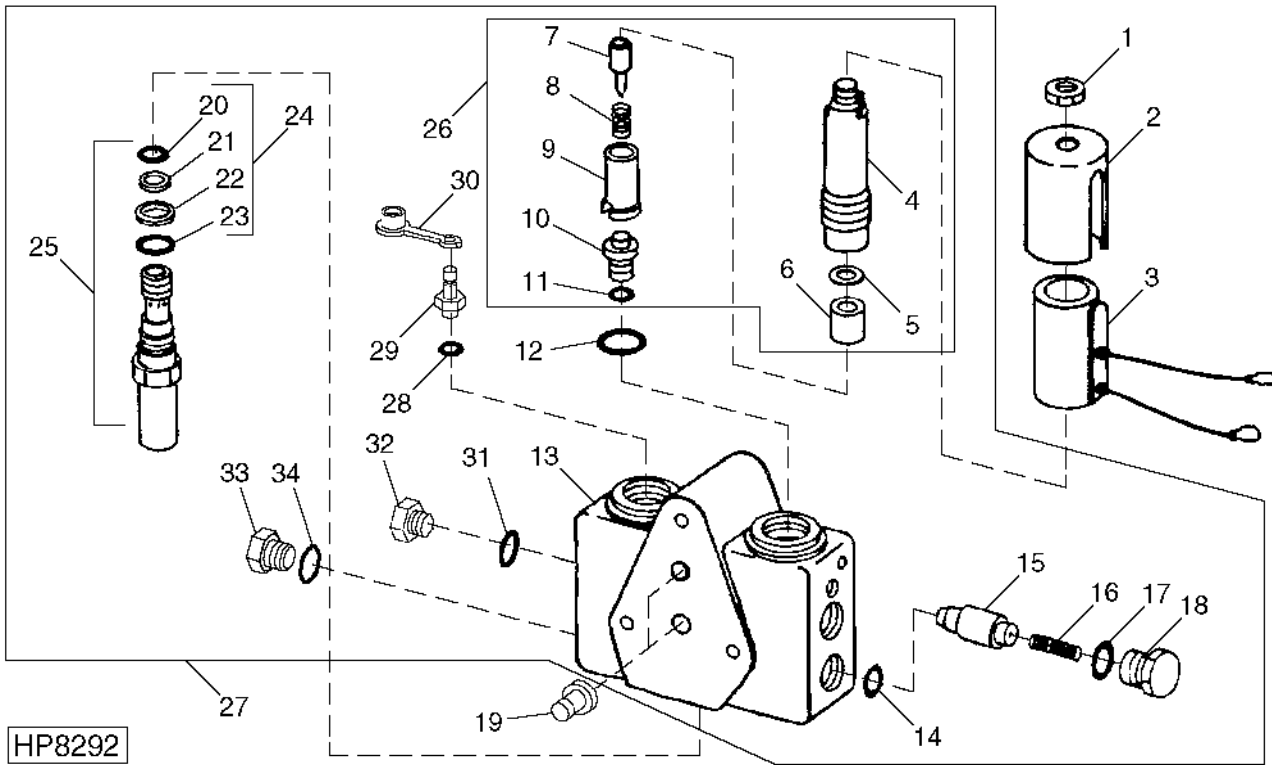
**SOLENOID CONTROL VALVE MODULE ASSEMBLY AND MOUNTINGS - CONTINUED
FOUR STACK**

KEY	PART NO.	PART NAME	QTY	SERIAL NO.	REMARKS
					9
					5
					9 5
					5 0
					5 S
					0 H
1	R77175	COVER	1		X X
2	AH125760	HYD. QUICK-CONNECT COUPLER	1		X X
3	R26448	O-RING	1		X X 11.887 X 1.981 MM
4	14H786	NUT	6		X X 1/4"
5	12H297	LOCK WASHER	6		X X 1/4"
6	E62892	STUD	3		X X 1/4" X 11-3/4" (CUT TO LENGTH)
7	H168170	BRACKET	2		X X
8	AZ50073	SEAL	2		X X (WITH O-RING)
9	AH161527	SEAL	4		X X (WITH O-RING)
10	AH161526	VALVE	1		X X AUGER SWING
11	AH139060	VALVE	1		X X REEL LIFT/VSC
12	AH147084	VALVE	1		X X HEADER LIFT
13	AH164450	VALVE	1		X X UNLOAD (RELIEF)
14	AH161529	SEAL	2		X X
15	H145051	APERTURE	1		X X .940 MM DIA.
16	AH164500	ORIFICE	1		X X .457 MM DIA.
17	R77464	PIN CONTACT	AR		X X (PACKAGE OF 50)
18	AH161530	ELECTRICAL COIL	3		X X (USE ON MODULES 10 AND 13)
19	E62942	COVER	7		X X
20	H168171	COVER	2		X X PLATE
21	A4655R	NUT	7		X X 12.700 MM
22	57M7199	RECEPTACLE	2		X X (24 WAY)
23	21H1290	SCREW	8		X X 0.138" X 1/2"
	14H1026	NUT	8		X X 0.138"
24	AH124731	ELECTRICAL COIL	4		X X (USE ON MODULES 11 AND 12)

2G5

SOLENOID CONTROL RELIEF VALVE MODULE

HP8292 -UN-02JUL99

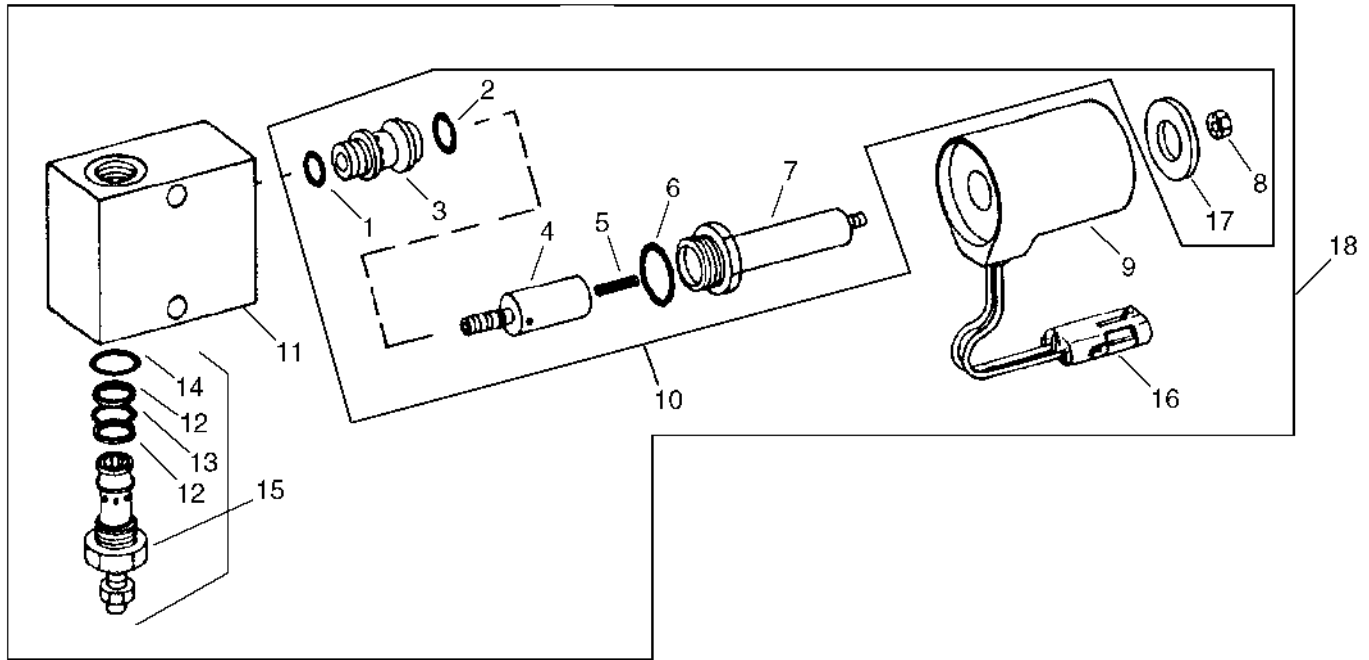


9
5
9 5
5 0
5 S
0 H

KEY	PART NO.	PART NAME	QTY	SERIAL NO.	REMARKS
1	A4655R	NUT	1	X	12.700 MM
2	E62942	COVER	1	X	
3	AH161530	ELECTRICAL COIL	1	X	
4	SLEEVE	1	X	
5	WASHER	1	X	
6	ARMATURE	1	X	
7	POPPET	1	X	
8	SPRING	1	X	
9	GUIDE	1	X	
10	ORIFICE	1	X	
11	U40962	O-RING	1	X	6.071 X 1.778 MM
12	T75984	O-RING	1	X	
13	HOUSING	1	X	
14	R27564	O-RING	1	X	
15	POPPET	1	X	
16	SPRING	1	X	
17	R26906	O-RING	1	X	19.177 X 2.464 MM
18	PIPE PLUG	1	X	
19	AZ50073	SEAL	2	X	(WITH O-RINGS)
20	SEAL	1	X	
21	O-RING	1	X	
22	O-RING	1	X	
23	SEAL	1	X	
24	AH148472	SEAL KIT	1	X	
25	AH147085	RELIEF VALVE	1	X	
26	AH134833	KIT	1	X	SOLENOID UNLOAD (RELIEF)
27	AH164450	VALVE	1	X	
28	R26448	O-RING	1	X	
29	AH125760	HYD. QUICK-CONNECT COUPLER	1	X	
30	R77175	COVER	1	X	
31	R28782	O-RING	1	X	
32	R51031	FITTING	1	X	
33	R27474	DRAIN PLUG	1	X	
34	R26906	O-RING	1	X	

2G6

ACTIVE HEADER HEIGHT CONTROL VALVE
 HP8033 -UN-21APR99

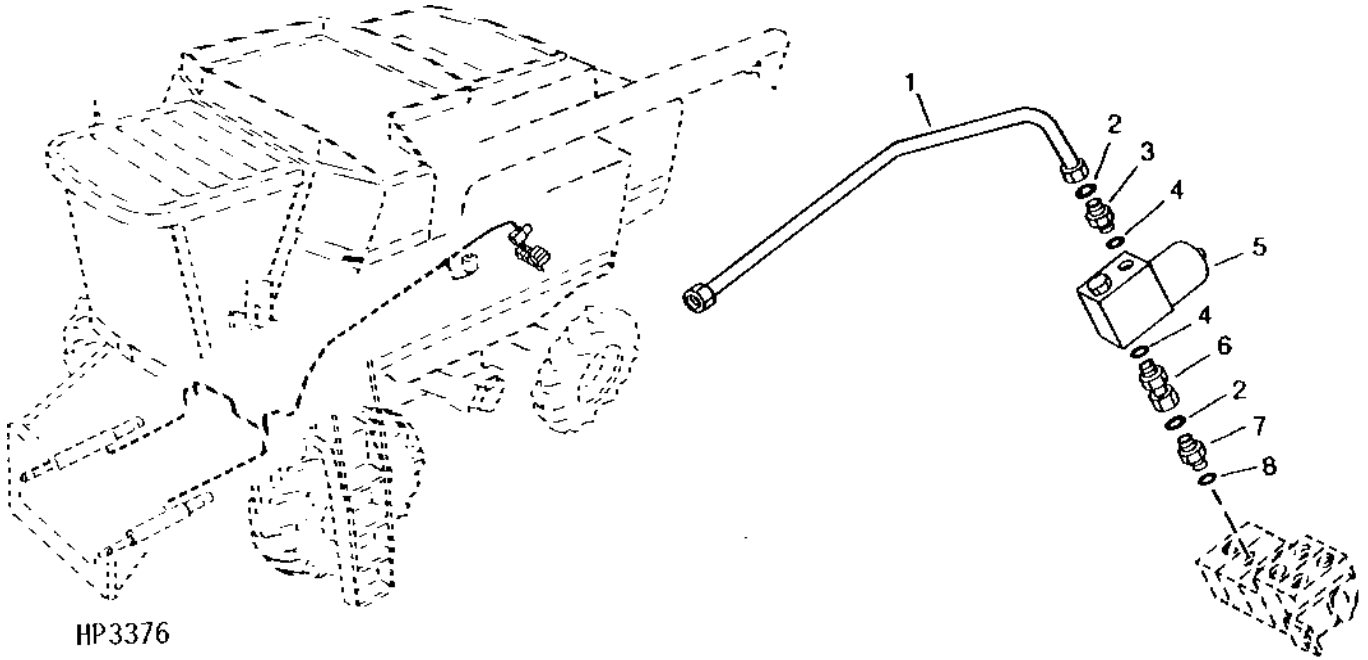


HP8033

KEY	PART NO.	PART NAME	QTY	SERIAL NO.	9 5 9 5 5 0 5 S 0 H	REMARKS
1	R28776	O-RING	1		X X	12.421 X 1.778 MM
2	T75984	O-RING	1		X X	20.345 X 1.778 MM
3	VALVE SPOOL	1		X X	
4	PLUNGER	1		X X	
5	SPRING	1		X X	
6	R27928	O-RING	1		X X	23.520 X 1.778 MM
7	GUIDE	1		X X	
8	14H866	NUT	1		X X	5/8"
9	AH131572	ELECTRICAL COIL	1		X X	
10	AH131571	VALVE	1		X X	
11	H135964	HOUSING	1		X X	
12	BACK-UP RING	2		X X	
13	O-RING	1		X X	
14	R26906	O-RING	1		X X	19.177 X 2.464 MM
15	AH131570	VALVE	1		X X	
16	R78053	PIN CONTACT CONNECTOR BODY	1		X X	(PKG OF 3)
	R78059	ELECTRICAL PLUG	1		X X	(PKG OF 40)
	R78061	PIN CONTACT	1		X X	(PKG OF 40)
17	24H1368	WASHER	1		X X	21/32" X 1-5/16" X 0.090"
18	AH125910	SOLENOID VALVE	1		X X	

**HYDRAULIC LINE AND VALVE BLOCK
(ACTIVE HEADER HEIGHT CONTROL)**

HP3376 -UN-01JAN94

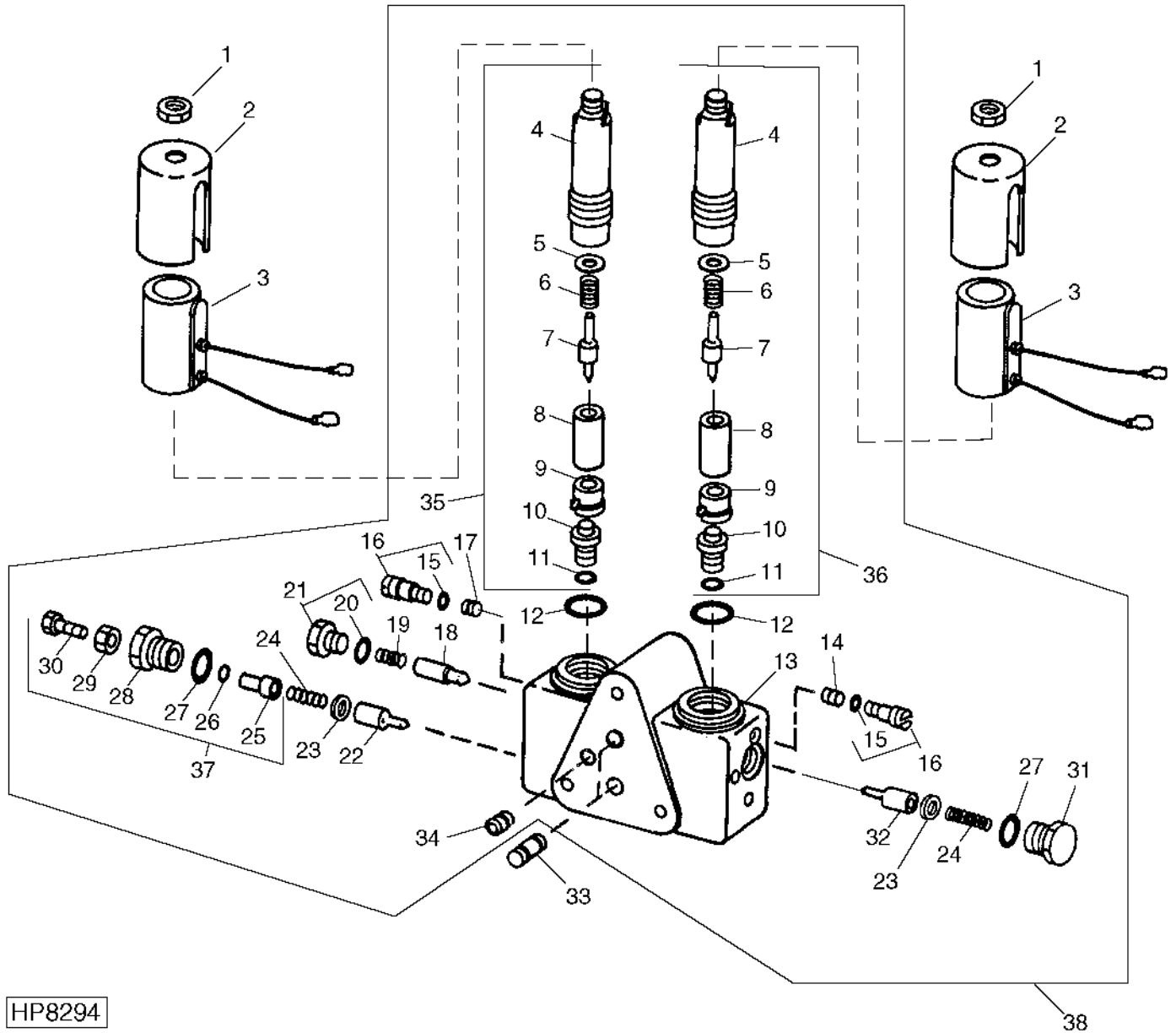


HP3376

KEY	PART NO.	PART NAME	QTY	SERIAL NO.	REMARKS
				9	
				5	
				9 5	
				5 0	
				5 S	
				0 H	
1	AH128727	HYDRAULIC LINE	1	X X	
2	T77857	O-RING	2	X X	12.421 X 1.778 MM
3	38H1161	ADAPTER	1	X X	
4	R26375	O-RING	2	X X	16.358 X 2.210 MM
5	AH125910	SOLENOID VALVE	1	X X	
6	38H1068	ADAPTER	1	X X	
7	38H1173	ADAPTER	1	X X	
8	R26448	O-RING	1	X X	11.887 X 1.981 MM

MEMORANDA

SOLENOID CONTROL VALVE FOR HEADER LIFT MODULE
HP8294 -UN-05MAR99



HP8294

SOLENOID CONTROL VALVE FOR HEADER LIFT MODULE - CONTINUED

KEY	PART NO.	PART NAME	QTY	SERIAL NO.	0 H	REMARKS
1	A4655R	NUT	2		X X	12.700 MM
2	E62942	COVER	2		X X	
3	AH161530	ELECTRICAL COIL	2		X X	
4	SLEEVE	2		X X	(A)
5	WASHER	2		X X	(A)
6	E62089	SPRING	2		X X	(A)
7	POPPET	2		X X	(A)
8	ARMATURE	2		X X	(A)
9	SOLENOID	2		X X	(A)
10	ORIFICE	2		X X	(A)
11	U40962	O-RING	2		X X	(A) 6.071 X 1.778 MM
12	T75984	O-RING	2		X X	(A) 20.345 X 1.778 MM
13	HOUSING	1		X X	
14	ORIFICE	1		X X	
15	T26257	O-RING	2		X X	2.565 X 1.778 MM
16	AE38734	PLUG	1		X X	
17	ORIFICE	1		X X	
18	E83620	CHECK VALVE	1		X X	(A)
19	E66619	SPRING	1		X X	
20	R28782	O-RING	1		X X	8.915 X 1.829 MM
21	AN122518	FITTING	1		X X	
22	H142183	CHECK VALVE	1		X X	(A)
23	H148775	O-RING	2		X X	(A) 10.668 X 13.716 X 1.524 MM
24	E66618	SPRING	2		X X	
25	STOP	1		X X	
26	U42902	RING	1		X X	4.470 X 1.778 MM
27	R26448	O-RING	2		X X	11.887 X 1.981 MM
28	CAP	1		X X	
29	14H850	NUT	1		X X	1/4"
30	19H1914	CAP SCREW	1		X X	1/4" X 1"
31	CAP	1		X X	
32	POPPET	1		X X	
33	AH161527	SEAL	2		X X	(WITH O-RING)
34	AH161529	SEAL	1		X X	(WITH O-RING)
35	AE50995	POPPET	1		X X	LOWER PILOT
36	AZ51851	GUIDE	1		X X	RAISE PILOT
37	AE38021	KIT	1		X X	
38	AH147084	VALVE	1		X X	
..	AH151400	SEAL KIT	1		X X	KIT INCLUDES PARTS MARKED (A)

9
5
9 5
5 0
5 S
0 H

2G11

HYDRAULICS

SOLENOID CONTROL VALVE FOR REEL LIFT / VARIABLE AND CYLINDER SPEED - CONTINUED

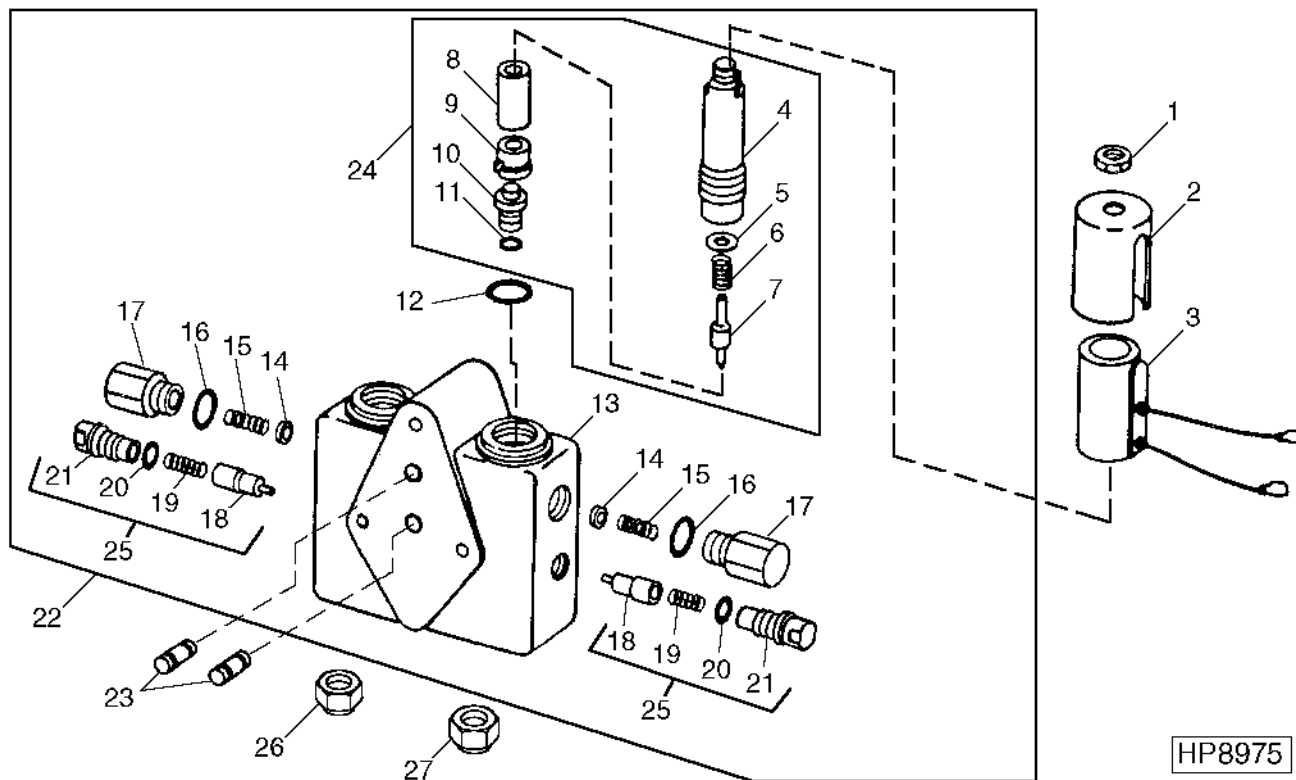
KEY	PART NO.	PART NAME	QTY	SERIAL NO.	REMARKS
					9
					5
					9 5
					5 0
					5 S
					0 H
1	A4655R	NUT	2		X X 12.700 MM
2	E62942	COVER	2		X X
3	AH124731	ELECTRICAL COIL	2		X X
4	SLEEVE	2		X X
5	WASHER	2		X X
6	E62089	SPRING	2		X X
7	POPPET	2		X X
8	ARMATURE	2		X X
9	SOLENOID	2		X X
10	ORIFICE	2		X X
11	U40962	O-RING	2		X X 6.071 X 1.778 MM
12	T75984	O-RING	2		X X 20.345 X 1.778 MM
13	HOUSING	2		X X
14	R30903	O-RING	1		X X 6.071 X 1.626 MM
15	FITTING	1		X X (SAE-2)
16	POPPET	1		X X
17	SPRING	1		X X
18	SHIM	AR		X X
19	R28782	O-RING	1		X X 8.915 X 1.829 MM
20	PLUG	1		X X
21	AH161527	SEAL	2		X X (WITH O-RING)
22	AH139060	VALVE	1		X X LESS COILS,CONNECTING TUBES AND ORIFICE
23	AH164500	ORIFICE	1		X X .457 MM DIA.
24	AH131420	SEAT KIT	2		X X
25	H145051	APERTURE	1		X X .940 MM DIA.
26	AH131421	SEAT KIT	1		X X

2G12

HYDRAULICS

**SOLENOID CONTROL VALVE FOR AUGER SWING
SOLENOID CONTROL VALVE FOR REEL FORE/AFT**

HP8975 -UN-17SEP99



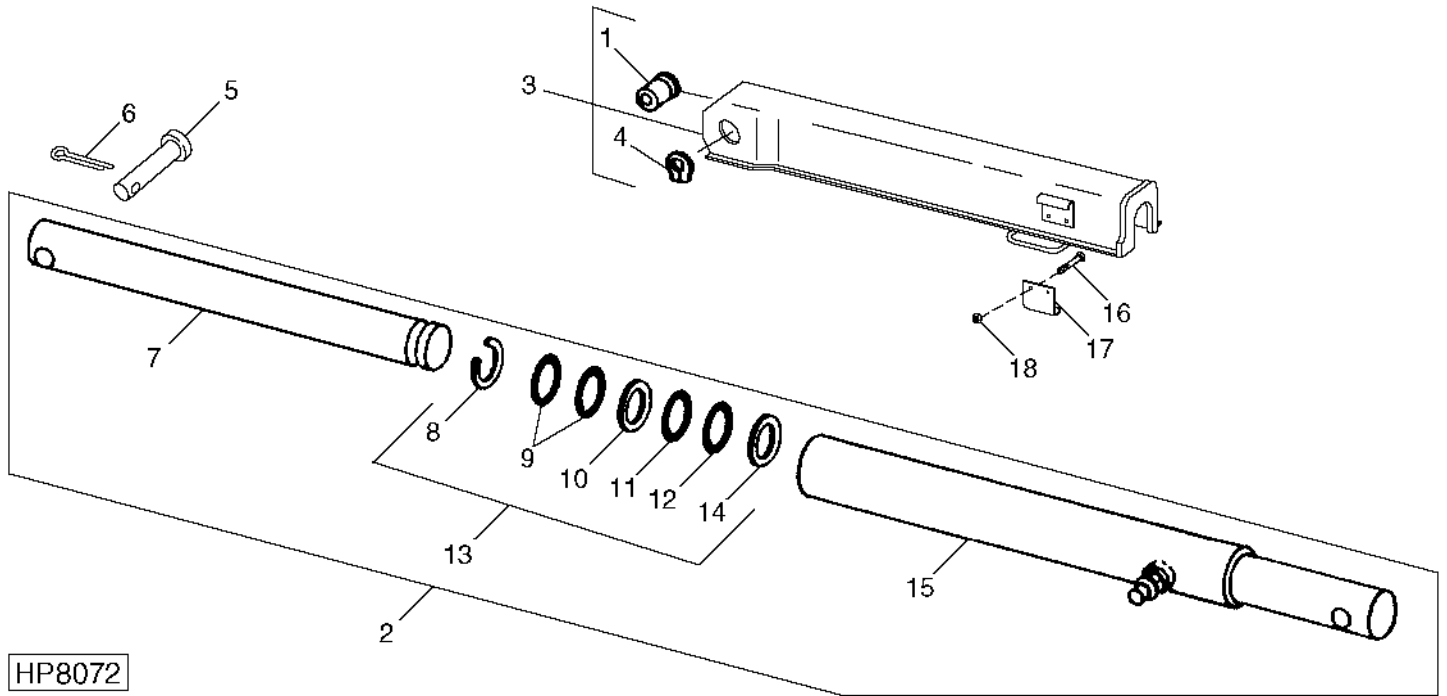
9
5
9 5
5 0
5 S
0 H

KEY	PART NO.	PART NAME	QTY	SERIAL NO.	REMARKS
1	A4655R	NUT	2	X X	12.700 MM
2	E62942	COVER	2	X X	
3	AH161530	ELECTRICAL COIL	2	X X	
4	SLEEVE	2	X X	
5	WASHER	2	X X	
6	E62089	SPRING	2	X X	
7	POPPET	2	X X	
8	ARMREST	2	X X	
9	SOLENOID	2	X X	
10	ORIFICE	2	X X	
11	U40962	O-RING	2	X X	6.071 X 1.778 MM
12	T75984	O-RING	2	X X	20.345 X 1.778 MM
13	HOUSING	1	X X	
14	E62094	WASHER	2	X X	7.620 X 17.526 X 2.388 MM
15	SPRING	2	X X	
16	R26906	O-RING	2	X X	19.177 X 2.464 MM
17	PIPE PLUG	2	X X	
18	POPPET	2	X X	
19	SPRING	2	X X	
20	U40745	O-RING	2	X X	15.545 X 2.616 MM
21	CAP	2	X X	
22	AH161526	VALVE	1	X X	
23	AH161527	SEAL	2	X X	(WITH O-RINGS)
24	AZ51851	GUIDE	2	X X	
25	AH142731	KIT	2	X X	
26	38H1414	FITTING PLUG	1	X	(SMALL PORT)
27	38H1415	FITTING PLUG	1	X	(LARGE PORT)

2G13

HYDRAULICS

HEADER LIFT HYDRAULIC CYLINDER
HP8072 -UN-08JUL99

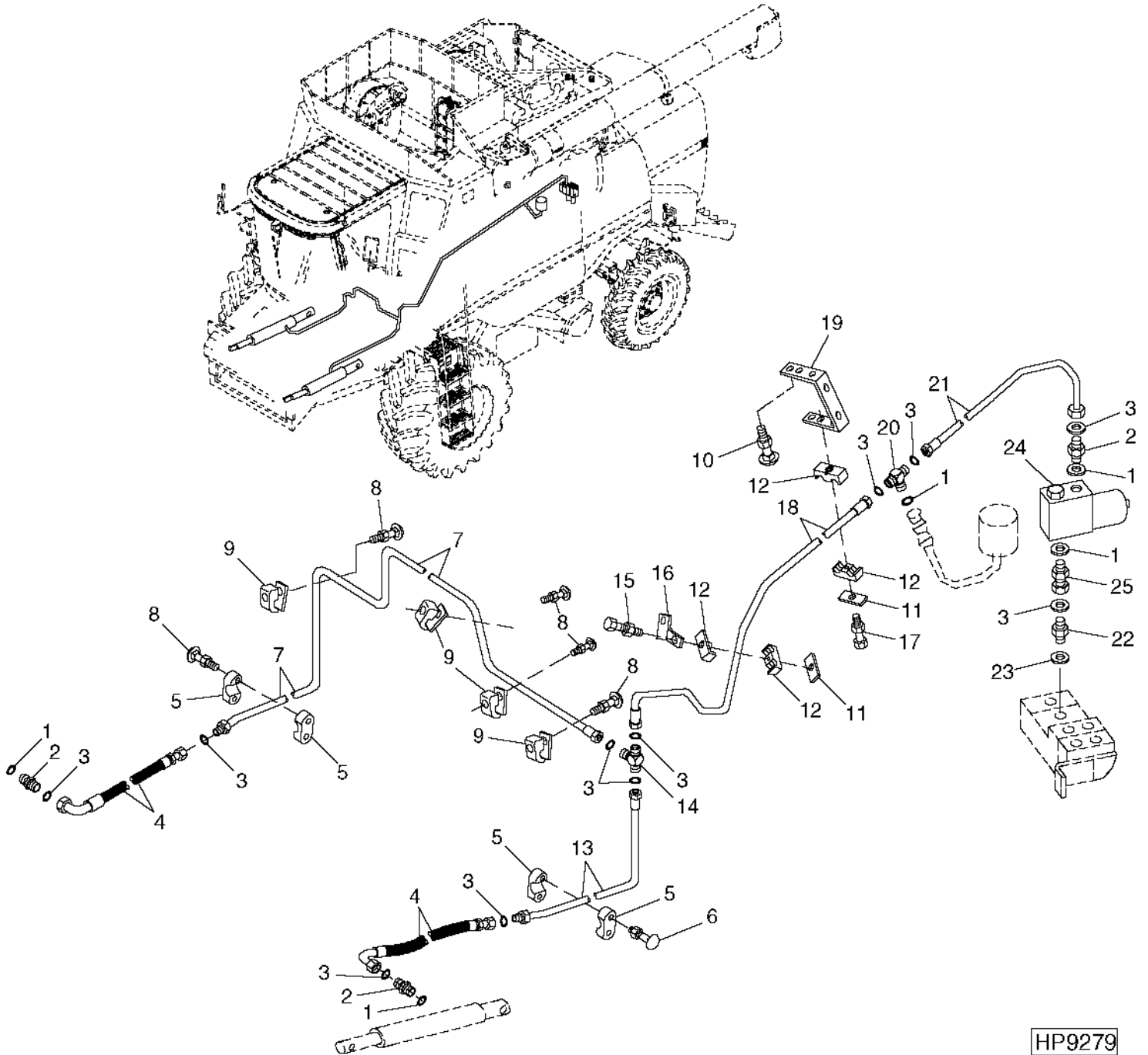


KEY	PART NO.	PART NAME	QTY	SERIAL NO.	9 5 9 5 5 0 5 S 0 H	REMARKS
1	H150054	BUSHING	2		X X	
2	AH155264	HYDRAULIC CYLINDER	1		X	54MM (2-1/8")
	AH160493	HYDRAULIC CYLINDER	1		X	50.00 MM (2")
3	AH157492	STOP	1		X	
	AH144031	STOP	1		X	
4	40M1835	SNAP RING	2		X X	
5	H166421	PIN	2		X X	
6	H167311	COTTER PIN	2		X X	
7	ROD	1		X X	
8	SNAP RING	1		X X	
9	WEAR RING	2		X X	
10	SEAL	1		X X	
11	SEAL	1		X X	
12	SEAL	1		X X	
13	AH161885	HYDRAULIC CYLINDER KIT	1		X	54MM (2-1/8")
	AH162431	HYDRAULIC CYLINDER KIT	1		X	50MM (2")
14	AH146561	SEAL	1		X X	
15	HYDRAULIC CYLINDER BARREL	1		X X	
16	03M7183	BOLT	2		X X	M8 X 16
17	H150055	SUPPORT	1		X X	
18	14M7298	FLANGE NUT	1		X X	

2G14

HEADER LIFT HYDRAULIC LINES AND HOSES

HP9279 -UN-17NOV99



HP9279

2G15

HYDRAULICS

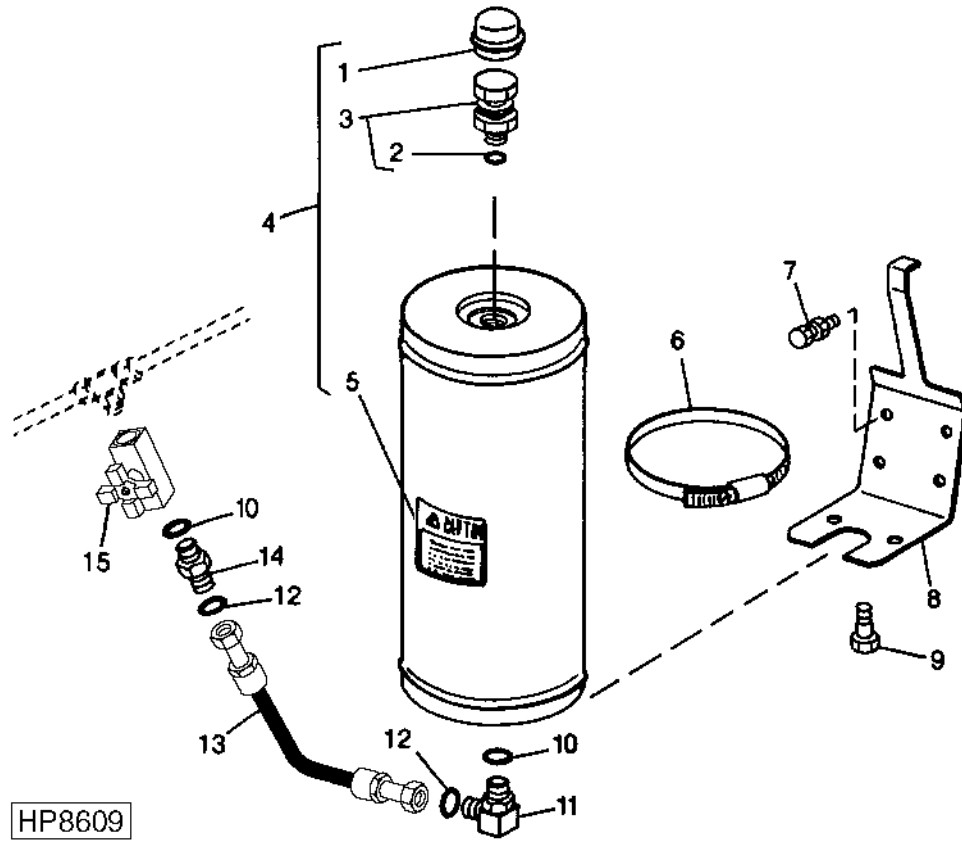
HEADER LIFT HYDRAULIC LINES AND HOSES - CONTINUED

KEY	PART NO.	PART NAME	QTY	SERIAL NO.	0 H	REMARKS
					9	
					5	
					9	
					5	
					0	
					5	
					S	
					0	
					H	
1	R26375	O-RING	5		X	16.358 X 2.210 MM
2	38H1161	ADAPTER	3		X	
3	T77857	O-RING	11		X	12.421 X 1.778 MM
4	AH121605	HYDRAULIC HOSE	2		X	13/16" X 515 MM X 13/16"
5	H117937	CLAMP	4		X	
6	03M7189	BOLT	4		X	M8 X 45
	14M7298	FLANGE NUT	4		X	M8
7	AH131378	OIL LINE	1		X	
8	03M7280	BOLT	4		X	M6 X 45
	14M7303	FLANGE NUT	4		X	M6
9	H116706	CLAMP	4		X	
10	03M7184	BOLT	4		X	M8 X 20
	14M7396	LOCK NUT	4		X	M8
11	H121168	PLATE	2		X	
12	H135156	CLAMP	4		X	
13	AH130113	HYDRAULIC LINE	1		X	
14	38H1206	TEE FITTING	1		X	
15	19M8317	SCREW	1		X	M8 X 40
	14M7298	FLANGE NUT	1		X	M8
16	H135974	BRACKET	1		X	
17	19M8318	SCREW	1		X	M8 X 45
	14M7298	FLANGE NUT	1		X	M8
18	AH131576	HYDRAULIC LINE	1		X	
19	H131115	BRACKET	1		X	
20	38H1017	TEE FITTING	1		X	
21	AH128727	HYDRAULIC LINE	1		X	
22	38H1173	ADAPTER	1		X	
23	R26448	O-RING	1		X	11.887 X 1.981 MM
24	AH125910	SOLENOID VALVE	1		X	
25	38H1068	ADAPTER	1		X	

2G16

ONE HALF GALLON ACCUMULATOR AND MOUNTING

HP8609 -UN-28MAY99



HP8609

2G17

HYDRAULICS

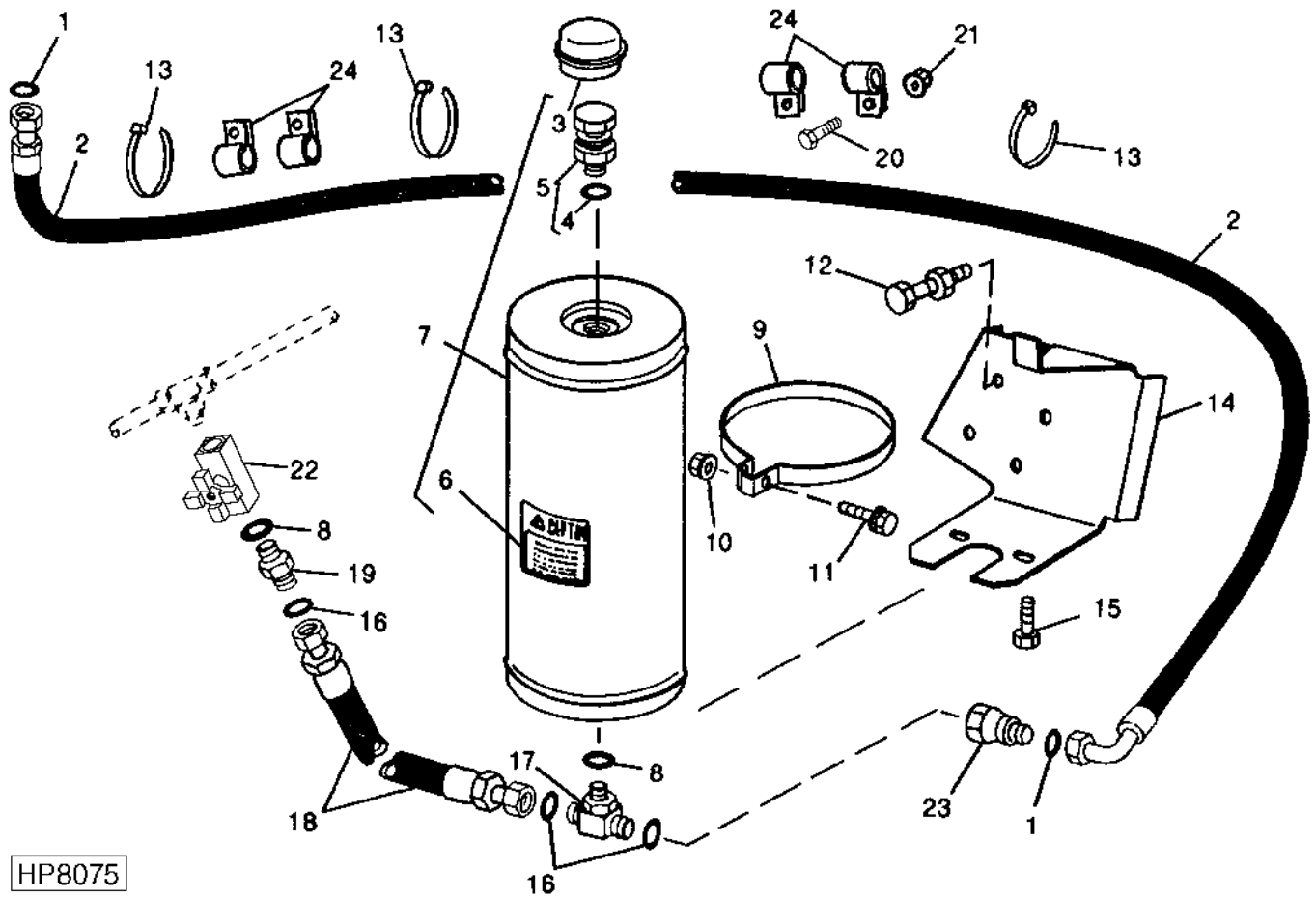
ONE HALF GALLON ACCUMULATOR AND MOUNTING - CONTINUED

KEY	PART NO.	PART NAME	QTY	SERIAL NO.	9 5 9 5 5 0 5 S 0 H	REMARKS
1	J2375M	CAP	1		X X	
2	H135641	RING	1		X X	7.650 X 1.630 MM
3	AH131250	BLEED VALVE	1		X X	
4	AH133265	ACCUMULATOR	1		X X	
5	H149092	LABEL	1		X X	"CAUTION"
6	C16054	CLAMP	1		X X	
7	19M7866	SCREW	4		X X	M8 X 20
	14M7298	FLANGE NUT	4		X X	M8
8	H137593	BRACKET	1		X X	
9	19M7864	SCREW	2		X X	M8 X 12
10	R26375	O-RING	2		X X	16.358 X 2.210 MM
11	38H1005	ELBOW FITTING	1		X X	
12	T77857	O-RING	2		X X	12.421 X 1.778 MM
13	AH148124	HYDRAULIC HOSE	1		X X	
14	38H1161	ADAPTER	1		X X	
15	AH131535	VALVE	1		X X	

2G18

ONE GALLON ACCUMULATOR, HOSE, LINE AND MOUNTING

HP8075 -UN-14DEC98



HP8075

2G19

HYDRAULICS

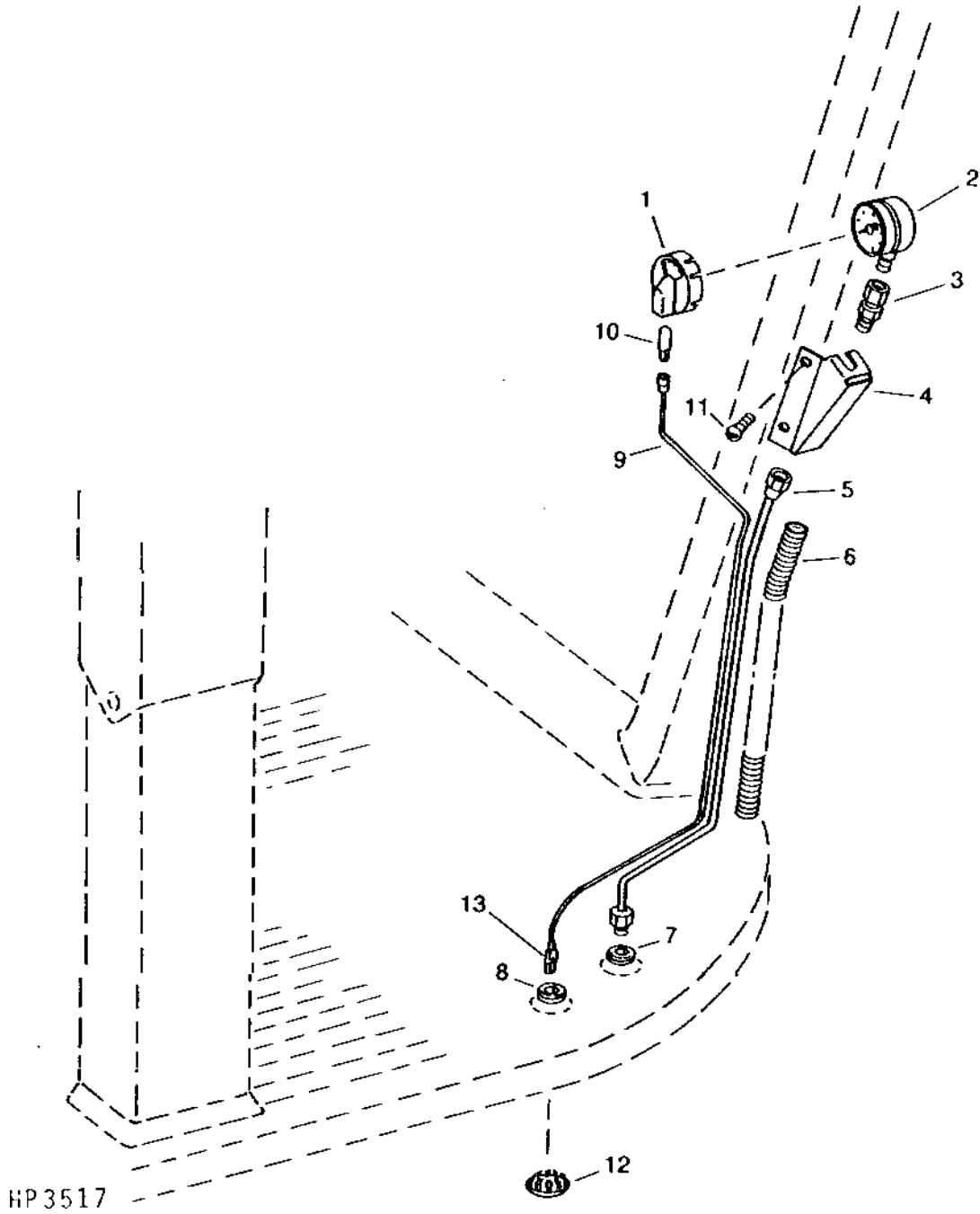
ONE GALLON ACCUMULATOR, HOSE, LINE AND MOUNTING - CONTINUED

KEY	PART NO.	PART NAME	QTY	SERIAL NO.	0 H	REMARKS
					9	
					5	
					9	
					5	
					0	
					5	
					S	
					H	
1	T77613	O-RING	2		X X	9.246 X 1.778 MM
2	AH133151	HYDRAULIC HOSE	1		X X	11/16" X 3 940 MM X 11/16"
3	J2375M	CAP	1		X X	
4	H135641	RING	1		X X	7.650 X 1.630 MM
5	AH131250	BLEED VALVE	1		X X	
6	H149092	LABEL	1		X X	"CAUTION"
7	AH143455	ACCUMULATOR	1		X X	
8	R26375	O-RING	2		X X	16.358 X 2.210 MM
9	R77178	CLAMP	1		X X	
10	14M7296	FLANGE NUT	1		X X	M10
11	03M7196	BOLT	1		X X	M10 X 50
12	19M7866	SCREW	4		X X	M8 X 20
	14M7298	FLANGE NUT	4		X X	M8
13	R44302	TIE BAND	3		X X	
14	H148366	BRACKET	1		X X	
15	19M7864	SCREW	2		X X	M8 X 12
16	T77857	O-RING	3		X X	12.421 X 1.778 MM
17	38H1017	TEE FITTING	1		X X	
18	AH148124	HYDRAULIC HOSE	1		X X	13/16" X 460 MM X 13/16"
19	38H1161	ADAPTER	1		X X	
20	03M7183	BOLT	1		X X	M8 X 16
21	14M7298	FLANGE NUT	1		X X	M8
22	AH131535	VALVE	1		X X	
23	38H1481	REDUCER	1		X X	
24	AH89557	CLIP	4		X X	

2G20

HYDRAULICS

ACCUMULATOR PRESSURE GAUGE AND WIRING HARNESS
HP3517 -UN-01JAN94



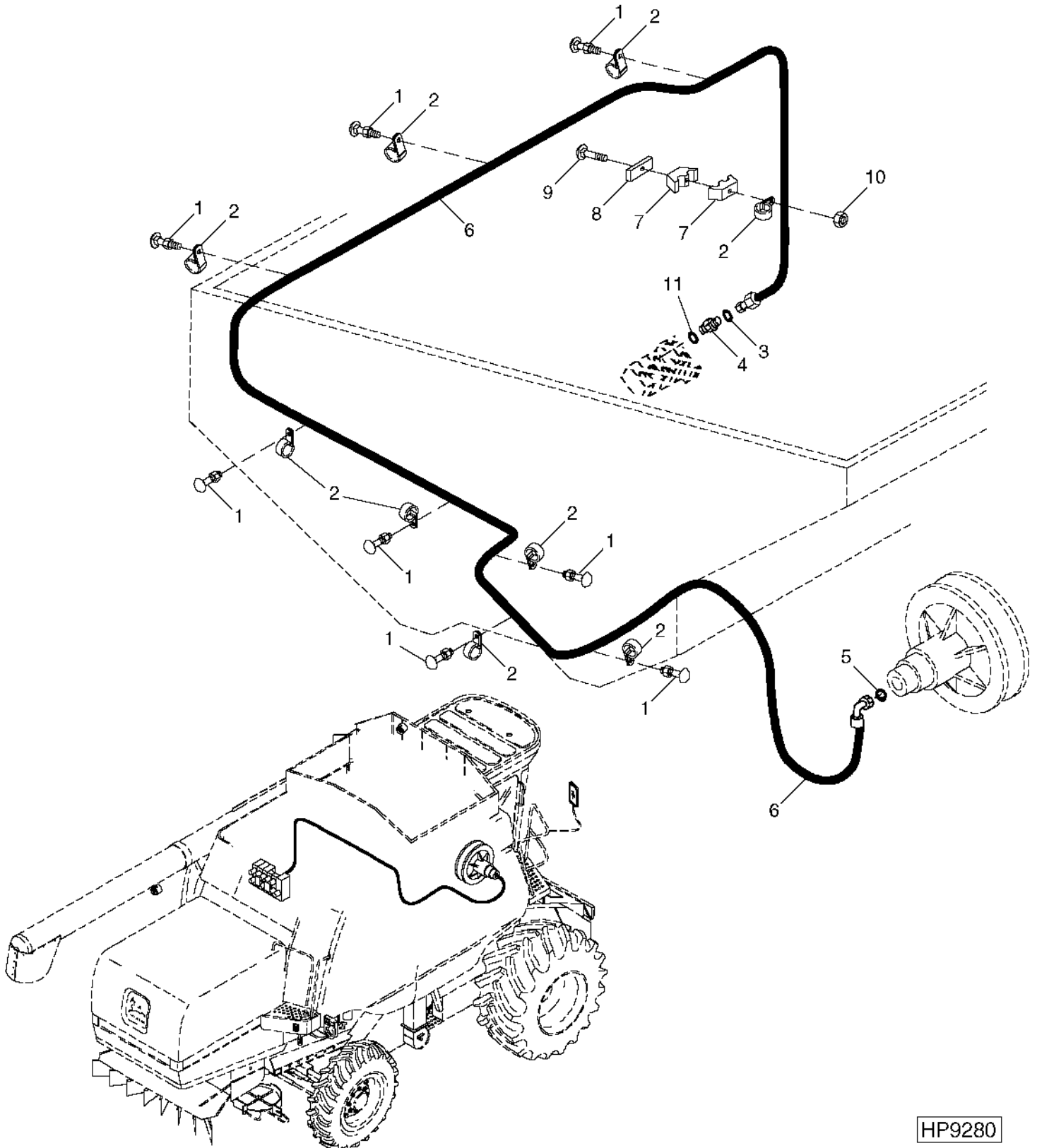
ACCUMULATOR PRESSURE GAUGE AND WIRING HARNESS - CONTINUED

KEY	PART NO.	PART NAME	QTY	SERIAL NO.	9 5 9 5 5 0 5 S 0 H	REMARKS
1	H111378	COVER	1		X X	
2	AH108080	PRESSURE GAUGE	1		X X	
3	AB18206	ADAPTER	1		X X	(WITH JAM NUT)
4	AH132832	BRACKET	1		X X	
5	AH132027	OIL LINE	1		X X	
6	H137523	CONDUIT	1		X X	
7	T65643	GROMMET	1		X X	
8	T63817	GROMMET	1		X X	
9	AH134205	WIRING LEAD	1		X X	
10	AH108380	BULB	1		X X	
11	H165691	SCREW	2		X X	M6 X 20
12	R32239	PLUG	2		X X	USE WITHOUT ACCUM. GAUGE
13	RE12363	CONNECTOR	1		X X	(PKG OF 3)
	R78048	TERMINAL NIPPLE	1		X X	(PKG OF 5)

2G22

HYDRAULICS

CYLINDER SPEED HYDRAULIC HOSE
HP9280 -UN-28MAR00



HP9280

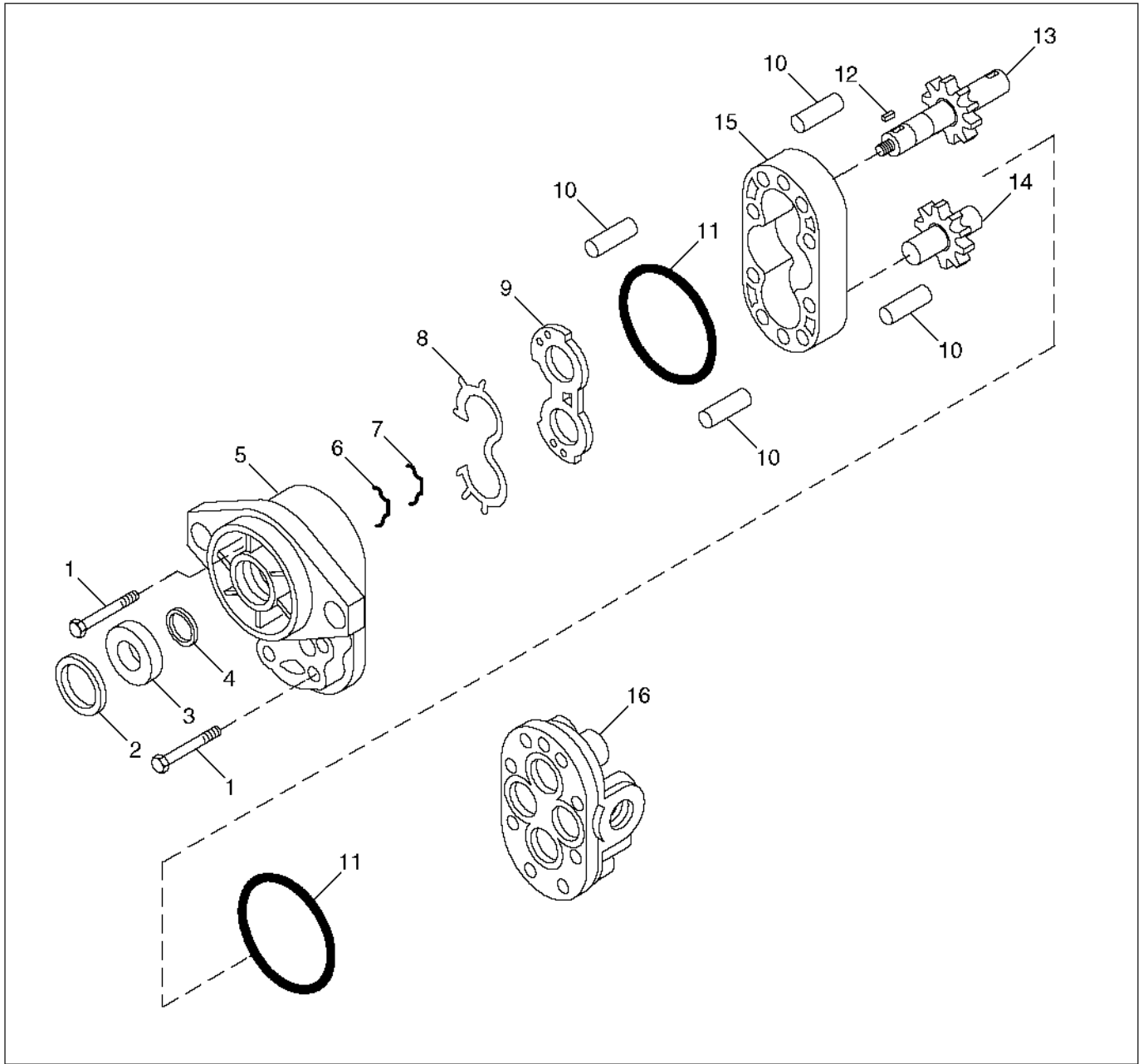
CYLINDER SPEED HYDRAULIC HOSE - CONTINUED

KEY	PART NO.	PART NAME	QTY	SERIAL NO.	9 5 9 5 5 0 5 S 0 H	REMARKS
1	19M7865	SCREW	8		X X	M8 X 16
	14M7298	FLANGE NUT	8		X X	M8
2	H75541	CLAMP	9		X X	
3	T77613	O-RING	1		X X	
4	38H1160	ADAPTER	1		X X	
5	T77814	O-RING	1		X X	
6	AH158927	HYDRAULIC HOSE	1		X X	11/16" X 5 500 MM X 9/16"
7	H128515	CLAMP	2		X X	
8	H121163	COVER	1		X X	
9	19M8317	SCREW	1		X X	M8 X 40
10	14M7298	FLANGE NUT	1		X X	M8
11	R26448	O-RING	1		X X	

2G24

HYDRAULICS

REEL / BELT PICKUP DRIVE, CHAFF SPREADER PUMP
HP8488 -UN-20APR99



HP8488

2G25

HYDRAULICS

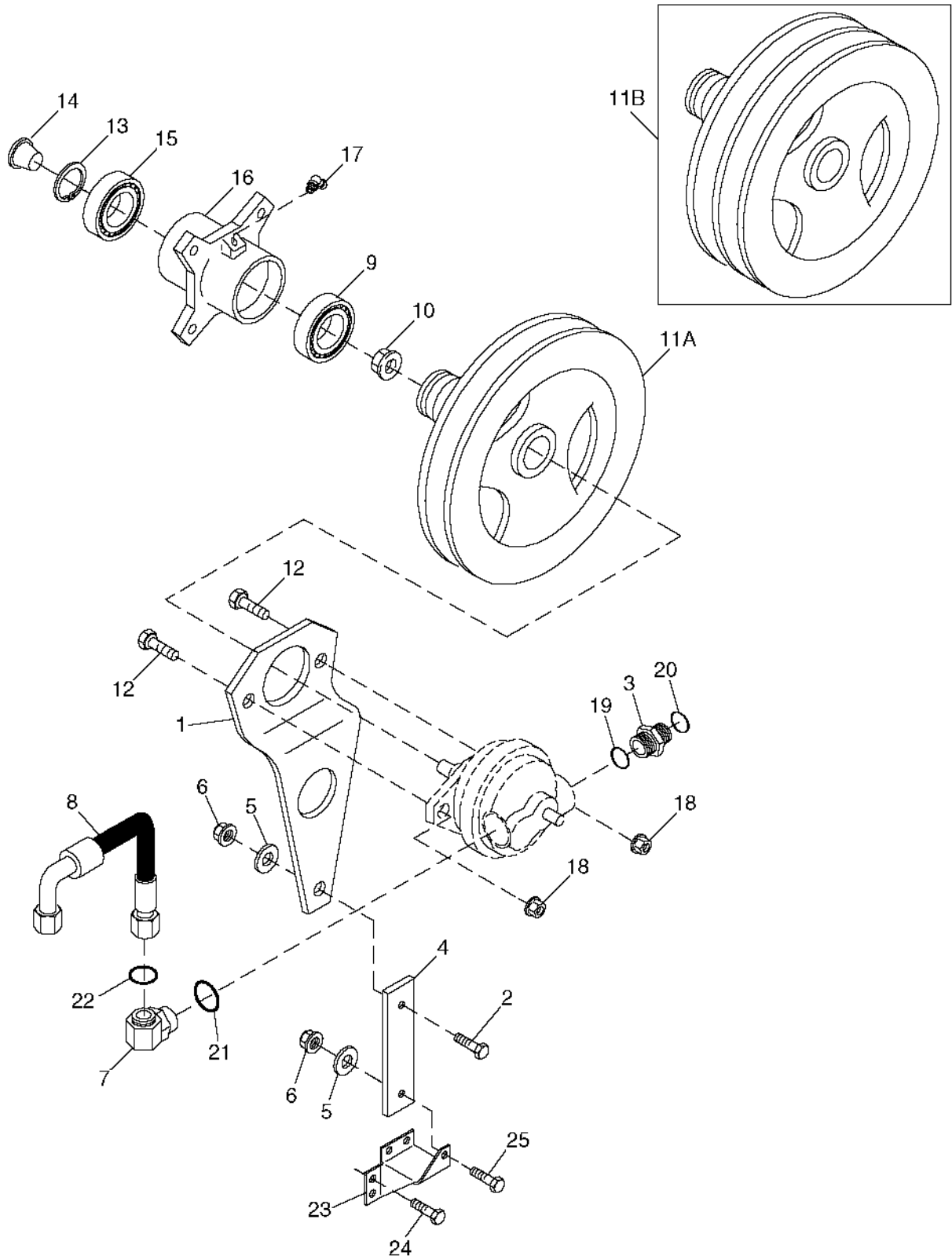
REEL / BELT PICKUP DRIVE, CHAFF SPREADER PUMP - CONTINUED

KEY	PART NO.	PART NAME	QTY	SERIAL NO.	0 H	REMARKS
					9	
					5	
					9 5	
					5 0	
					5 S	
					0 H	
1	E61791	BOLT	8		X X	7.925 X 69.850 MM
2	M41029	SNAP RING	1		X X	(A)
3	AH131842	SEAL	1		X X	(A)
4	M48869	WASHER	1		X X	(A) 19.215 X 25.337 X 0.813 MM
5	PLATE	1		X X	
6	SEAL	1		X X	(A)
7	GASKET	1		X X	(A)
8	GASKET	1		X X	(A)
9	WEAR PLATE	1		X X	(A)
10	H116213	DOWEL PIN	4		X X	
11	H80821	O-RING	2		X X	(A) 75.921 X 1.778 MM
12	N34986	SHAFT KEY	1		X X	
13	AH131304	SHAFT	1		X X	
14	GEAR	1		X X	
15	HOUSING	1		X X	
16	PLATE	1		X X	
17	AH131178	HYDRAULIC PUMP	1		X X	(EATON R25305-RAK) - REMANUFACTURED
..	AH131176	SEAL KIT	1		X X	INCLUDES PARTS MARKED (A)

2H1

REEL / BELT PICKUP PUMP MOUNTING AND SHEAVE

HP8971 -UN-26AUG99



HP8971

2H2

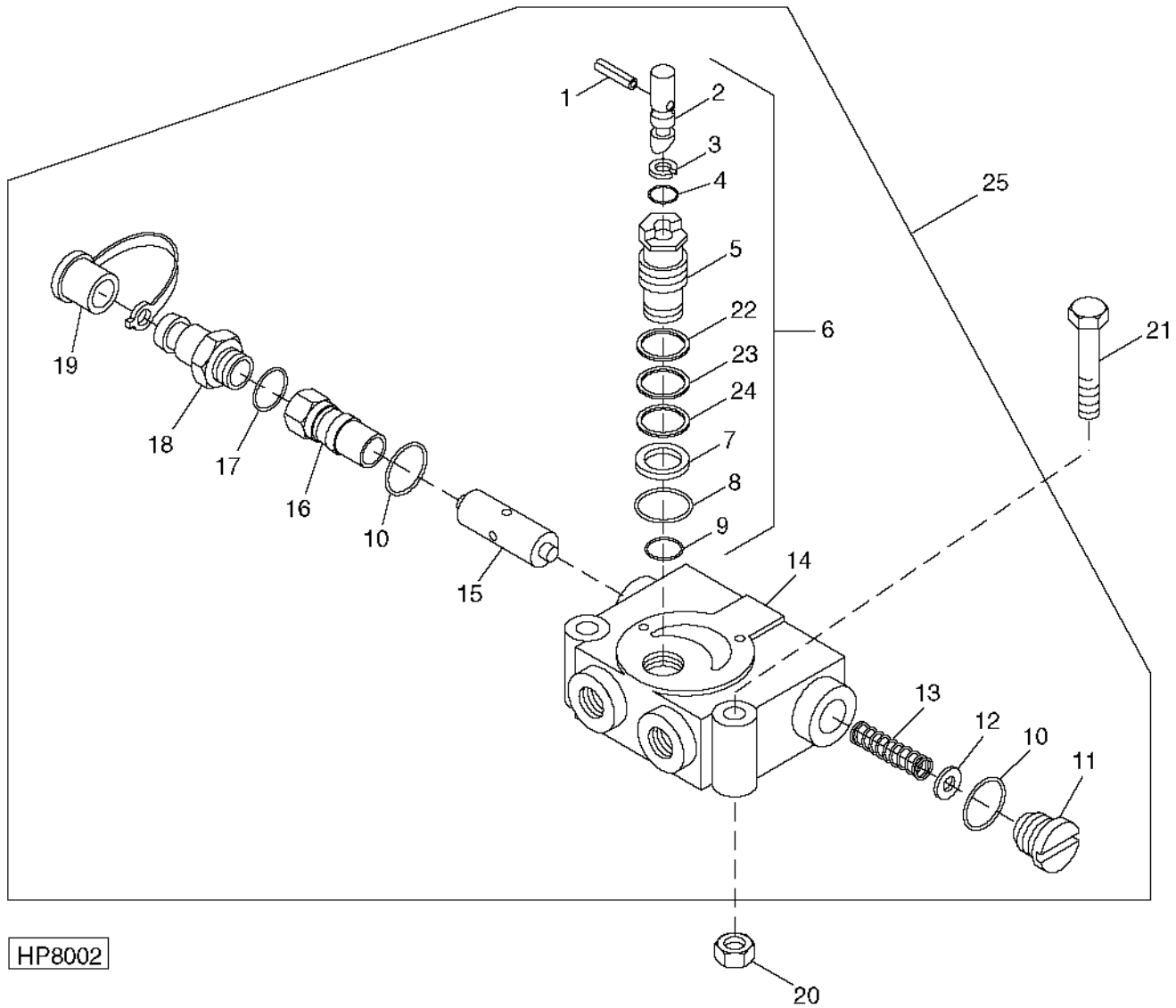
HYDRAULICS

REEL / BELT PICKUP PUMP MOUNTING AND SHEAVE - CONTINUED

KEY	PART NO.	PART NAME	QTY	SERIAL NO.	0 H	REMARKS
					9	
					5	
					9 5	
					5 0	
					5 S	
					0 H	
1	H157102	ARM	1		X X	
2	03M7185	BOLT	1		X X	M8 X 25
3	38H1174	ADAPTER	1		X X	
4	H78340	STRAP	1		X X	
5	24M7207	WASHER	3		X X	8.400 X 24 X 2 MM
6	14M7298	FLANGE NUT	2		X X	
7	38H1052	ELBOW FITTING	1		X X	
8	AH128584	HYDRAULIC HOSE	1		X X	
9	JD10312	BALL BEARING	1		X X	
10	E59406	FLANGE NUT	1		X X	3/8"
11A	H132937	SHEAVE	1		X X	STANDARD CAPACITY
11B	H157101	SHEAVE	1		X X	HI CAPACITY
12	03M7186	BOLT	2		X X	M8 X 30
13	BP13616	SNAP RING	1		X X	
14	B2984R	PLUG	1		X X	
15	AZ20216	BALL BEARING	1		X X	
16	H132938	HUB	1		X X	
17	JD7788	LUBRICATION FITTING	1		X X	
18	14M7396	LOCK NUT	2		X X	
19	R26906	O-RING	1		X X	
20	T77857	O-RING	1		X X	
21	T77858	O-RING	1		X X	
22	R29936	O-RING	1		X X	
23	H128111	BRACKET	1		X X	
24	19M7865	SCREW	4		X X	M8 X 16
25	19M7867	SCREW	1		X X	M8 X 25

2H3

REEL DRIVE FLOW CONTROL VALVE
HP8002 -UN-02MAR99



2H4

HYDRAULICS

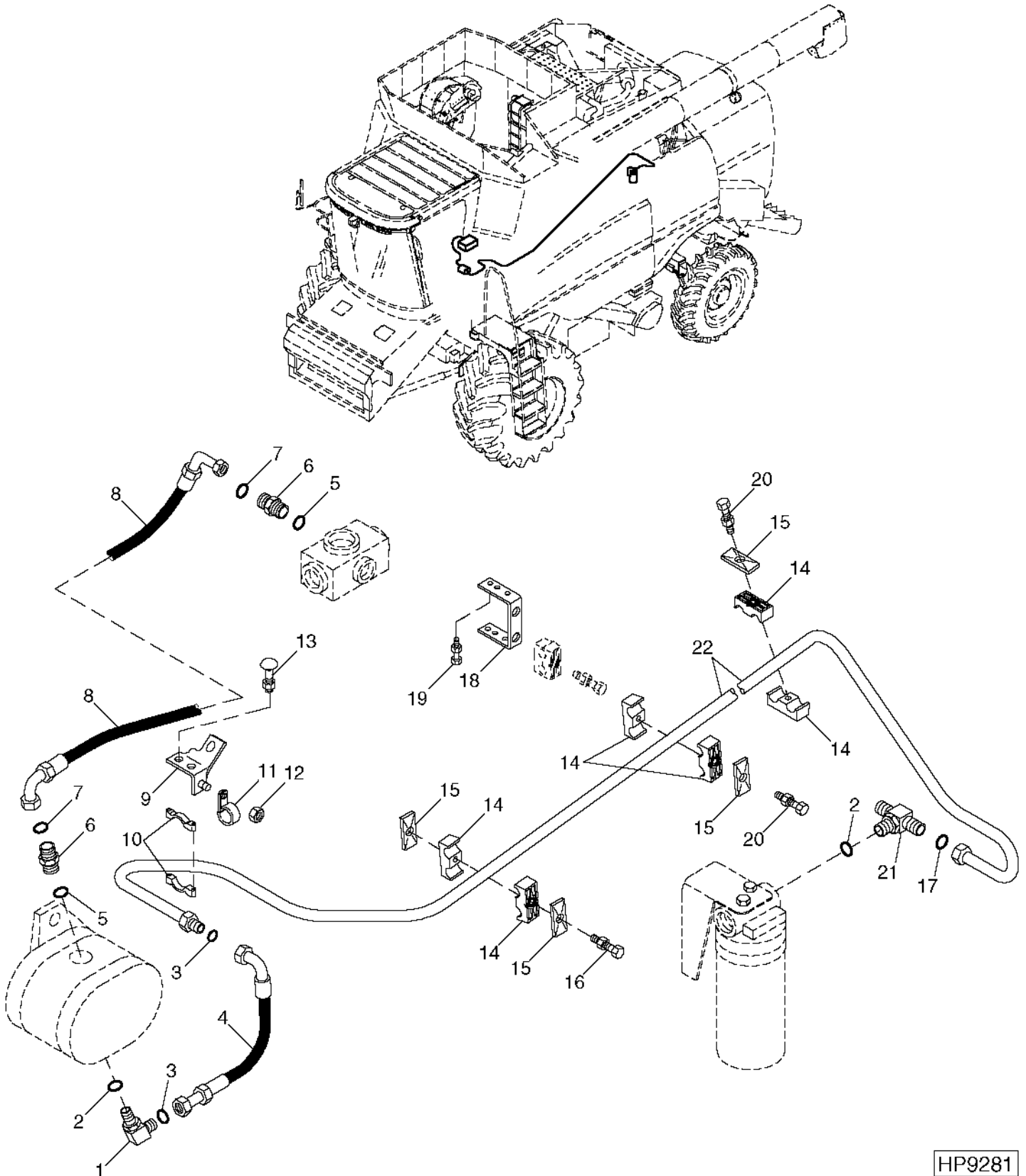
REEL DRIVE FLOW CONTROL VALVE - CONTINUED

KEY	PART NO.	PART NAME	QTY	SERIAL NO.	9 5 9 5 5 0 5 S 0 H	REMARKS
1	GROOVE PIN	1		X X	
2	STEM	1		X X	
3	BACK-UP RING	1		X X	(A)
4	O-RING	1		X X	(A)
5	PLUG	1		X X	
6	AH140903	KIT	1		X X	
7	BACK-UP RING	1		X X	(A)
8	O-RING	1		X X	(A)
9	O-RING	1		X X	(A)
10	H63289	O-RING	2		X X	(A) 20.295 X 2.616 MM
11	PLUG	1		X X	
12	SHIM	1		X X	
13	SPRING	1		X X	
14	HOUSING	1		X X	
15	SPOOL	1		X X	
16	PLUG	1		X X	
17	R26448	O-RING	1		X X	(A) 11.887 X 1.981 MM
18	AH125760	HYD. QUICK-CONNECT COUPLER	1		X X	DIAGNOSTIC
19	R77175	COVER	1		X X	
20	14M7298	FLANGE NUT	2		X X	M8
21	19M7801	SCREW	2		X X	M8 X 60
22	SHIM	AR		X X	
23	SHIM	AR		X X	
24	SHIM	AR		X X	
25	AH140902	CHECK VALVE	1		X X	
	AH154919	VALVE COVER	1		X	RICE
..	AH136248	SEAL KIT	1		X X	INCLUDES PARTS MARKED (A)

2H5

HYDRAULICS

REEL PUMP HYDRAULIC LINES AND HOSES
HP9281 -UN-17NOV99



HP9281

2H6

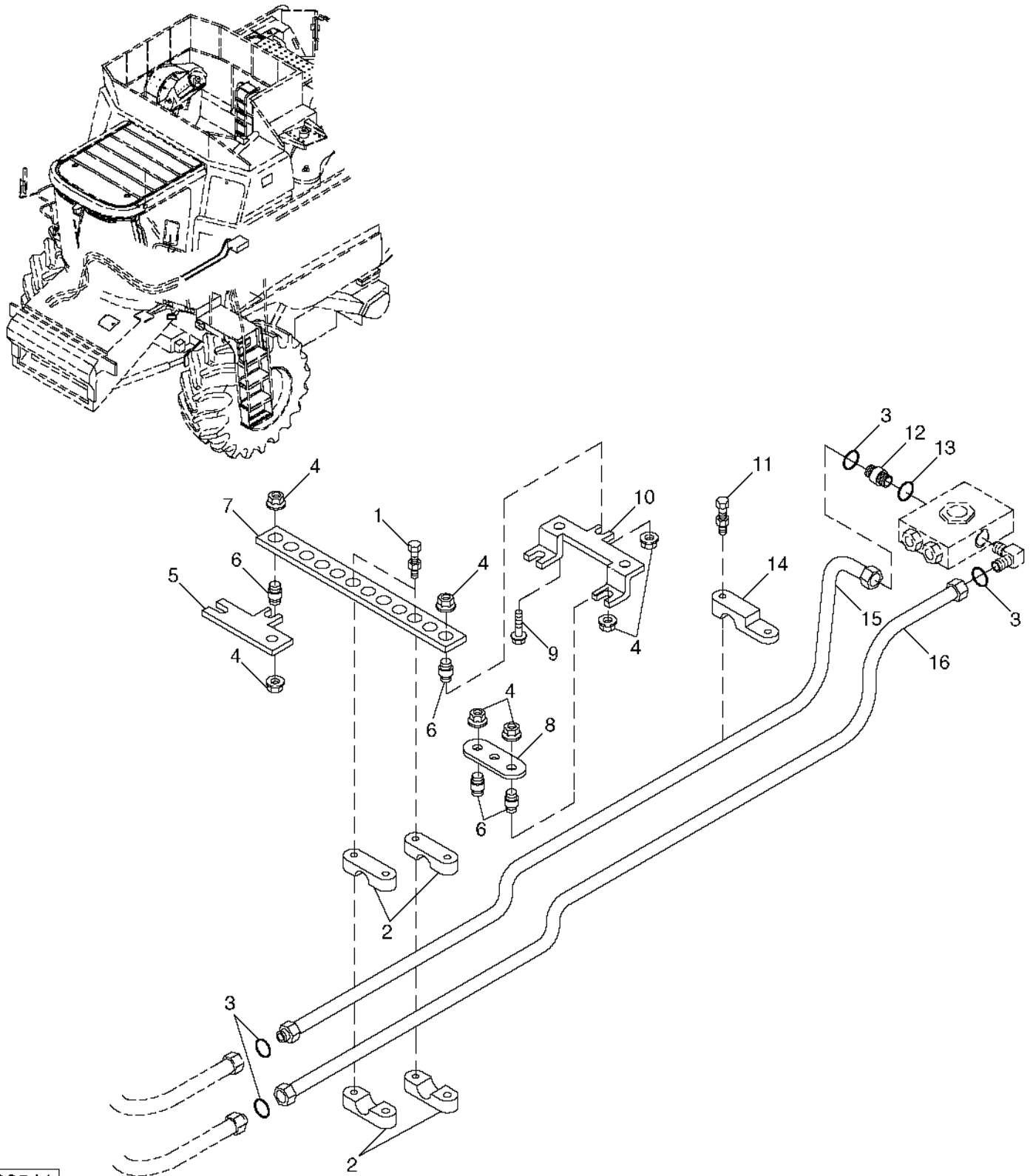
HYDRAULICS

REEL PUMP HYDRAULIC LINES AND HOSES - CONTINUED

KEY	PART NO.	PART NAME	QTY	SERIAL NO.	REMARKS
					9
					5
					9 5
					5 0
					5 S
					0 H
1	38H1052	ELBOW FITTING	1	X X	
2	R29936	O-RING	2	X X	29.743 X 2.946 MM
3	T77858	O-RING	2	X X	18.771 X 1.778 MM
4	AH128584	HYDRAULIC HOSE	1	X X	1-3/16" X 390 MM X 1-3/16" (REEL PUMP SUCTION)
5	R26906	O-RING	2	X X	19.177 X 2.464 MM
6	38H1174	ADAPTER	2	X X	
7	T77857	O-RING	2	X X	12.421 X 1.778 MM
8	AH131876	HYDRAULIC HOSE	1	X X	13/16" X 840 MM X 13/16" (REEL PUMP PRESSURE)
9	AH126389	BRACKET	1	X X	
10	H114432	CLAMP	2	X X	
11	R46667	CLAMP	1	X X	
12	14M7298	FLANGE NUT	1	X X	M8
13	03M7280	BOLT	2	X X	M6 X 45
	14M7303	FLANGE NUT	2	X X	M6
14	H114897	CLAMP	6	X X	
15	H112567	PLATE	4	X X	
16	19M7801	SCREW	1	X X	M8 X 60
	14M7298	FLANGE NUT	1	X X	M8
17	T26938	VALVE	1	X X	
18	H131115	BRACKET	1	X X	
19	19M7866	SCREW	4	X X	M8 X 20
	14M7396	LOCK NUT	4	X X	M8
20	19M7913	SCREW	2	X X	M8 X 90
	14M7298	FLANGE NUT	2	X X	M8
21	38H1437	TEE FITTING	1	X X	
22	AH128859	OIL LINE	1	X X	(REEL PUMP SUCTION)

2H7

REEL DRIVE HYDRAULIC LINES AND HOSES, L.H. SIDE
HP8511 -UN-21APR99



HP8511

2H8

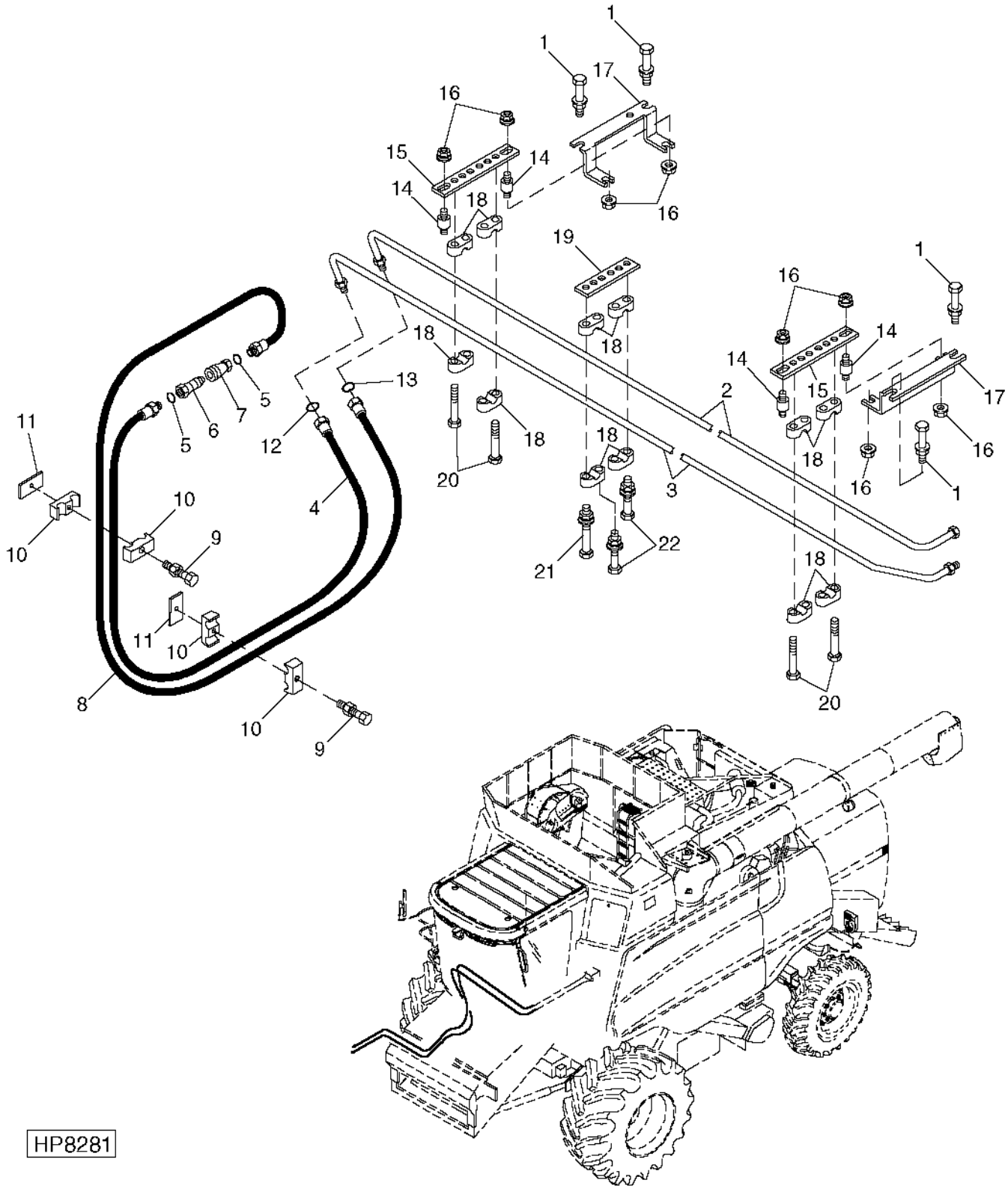
HYDRAULICS

REEL DRIVE HYDRAULIC LINES AND HOSES, L.H. SIDE - CONTINUED

KEY	PART NO.	PART NAME	QTY	SERIAL NO.	0 H	REMARKS
					9	
					5	
					9	
					5	
					0	
					5	
					S	
					0	
					H	
1	03M7189	BOLT	4		X X	M8 X 45
	14M7298	FLANGE NUT	4		X X	M8
2	H115533	CLAMP	4		X X	
3	T77932	O-RING	4		X X	15.596 X 1.778 MM
4	N10217	LOCK NUT	8		X X	6.350 MM
5	H134427	BRACKET	1		X X	
6	AH126657	ISOLATOR	4		X X	
7	H140298	STRAP	1		X X	
8	H134425	STRAP	1		X X	
9	37M7058	SCREW	4		X X	M8 X 20
10	H140298	STRAP	1		X X	
11	19M7801	SCREW	1		X X	M8 X 60
	14M7298	FLANGE NUT	1		X X	M8
12	38H1162	ADAPTER	1		X X	
13	R26906	O-RING	1		X X	19.177 X 2.464 MM
14	H112162	CLAMP	1		X X	
15	AH130209	HYDRAULIC LINE	1		X X	(PRESSURE)
16	AH131317	HYDRAULIC LINE	1		X X	(RETURN)

2H9

REEL DRIVE HYDRAULIC LINES AND HOSES, FRONT
HP8281 -UN-05MAY99



HP8281

2H10

HYDRAULICS

REEL DRIVE HYDRAULIC LINES AND HOSES, FRONT - CONTINUED

KEY	PART NO.	PART NAME	QTY	SERIAL NO.	0 H	REMARKS
					9	
					5	
					9 5	
					5 0	
					5 S	
					0 H	
1	19M7865	SCREW	4		X X	M8 X 16
	14M7298	FLANGE NUT	4		X X	M8
2	AH135686	HYDRAULIC LINE	1		X X	PRESSURE
3	AH135684	HYDRAULIC LINE	1		X X	RETURN
4	AH162140	HYDRAULIC HOSE	1		X X	3/4" X 3 240 MM X 1" (RETURN)
5	R26375	O-RING	2		X X	16.358 X 2.210 MM
6	AR94522	INTERNAL HALF COUPLER	1		X X	
7	AH75167	HYD. QUICK-CONNECT COUPLER	1		X X	
8	AH162142	HYDRAULIC HOSE	1		X X	3/4" X 3 075 MM X 13/16" (PRESSURE)
9	03M7245	BOLT	2		X X	M8 X 55
	14M7298	FLANGE NUT	2		X X	M8
10	H122772	CLAMP	4		X X	
11	H112567	PLATE	2		X X	
12	T77932	O-RING	1		X X	15.596 X 1.778 MM
13	T77857	O-RING	1		X X	12.421 X 1.778 MM
14	AH126657	ISOLATOR	4		X X	
15	H134429	STRAP	2		X X	
16	N10217	LOCK NUT	8		X X	6.350 MM
17	H135618	BRACKET	2		X X	
18	H115533	CLAMP	12		X X	
19	H134558	STRAP	1		X X	
20	37M7102	SCREW	8		X X	M8 X 40
21	19M8006	SCREW	1		X X	M8 X 120
	14M7298	FLANGE NUT	1		X X	M8
22	19M8318	SCREW	3		X X	M8 X 45
	14M7298	FLANGE NUT	3		X X	M8

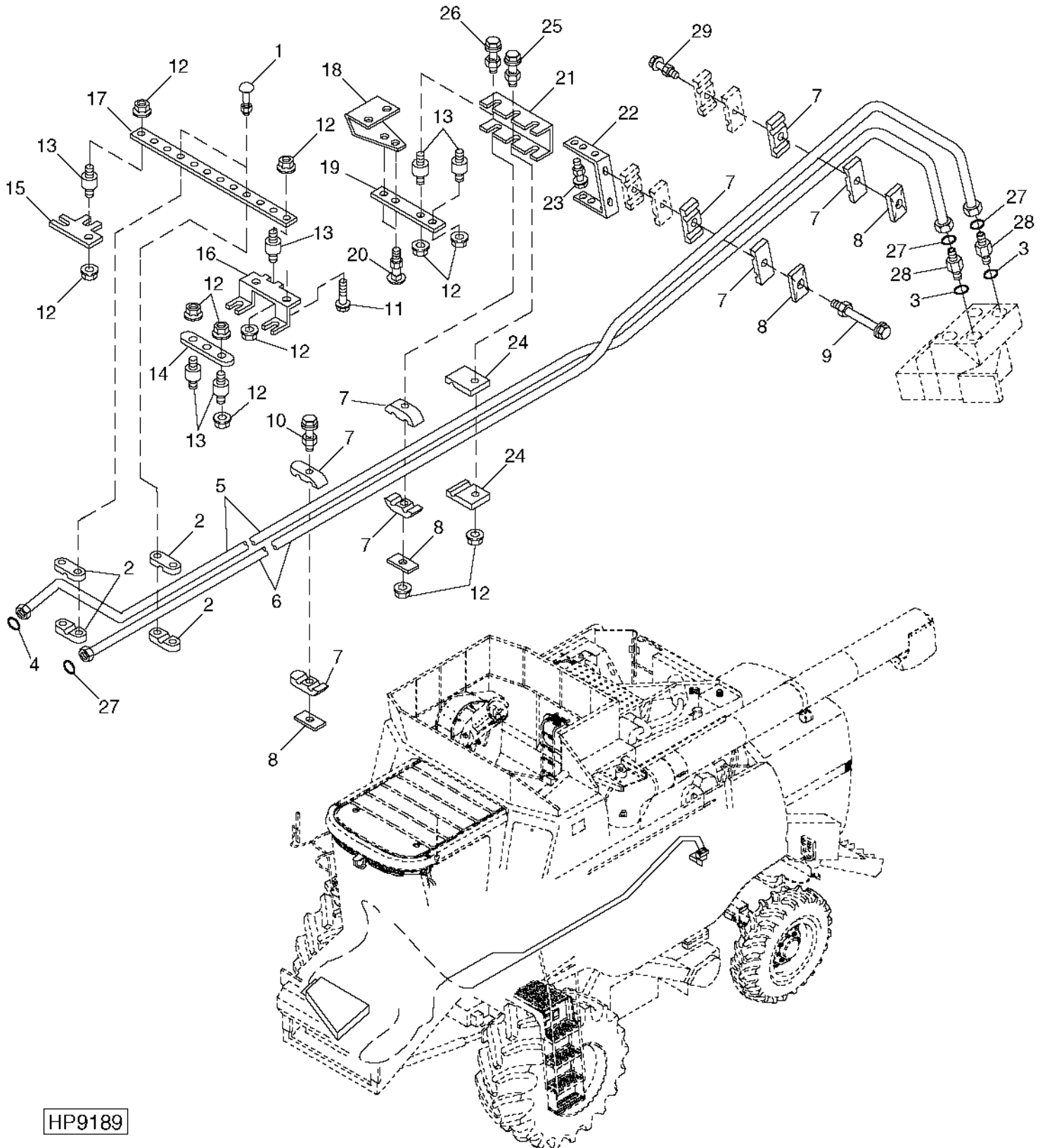
2H11

HYDRAULICS

REEL FORE-AND-AFT HYDRAULIC LINES, L.H. SIDE

(OPTIONAL)

HP9189 -UN-21OCT99



HP9189

2H12

HYDRAULICS

REEL FORE-AND-AFT HYDRAULIC LINES, L.H. SIDE - CONTINUED
(OPTIONAL)

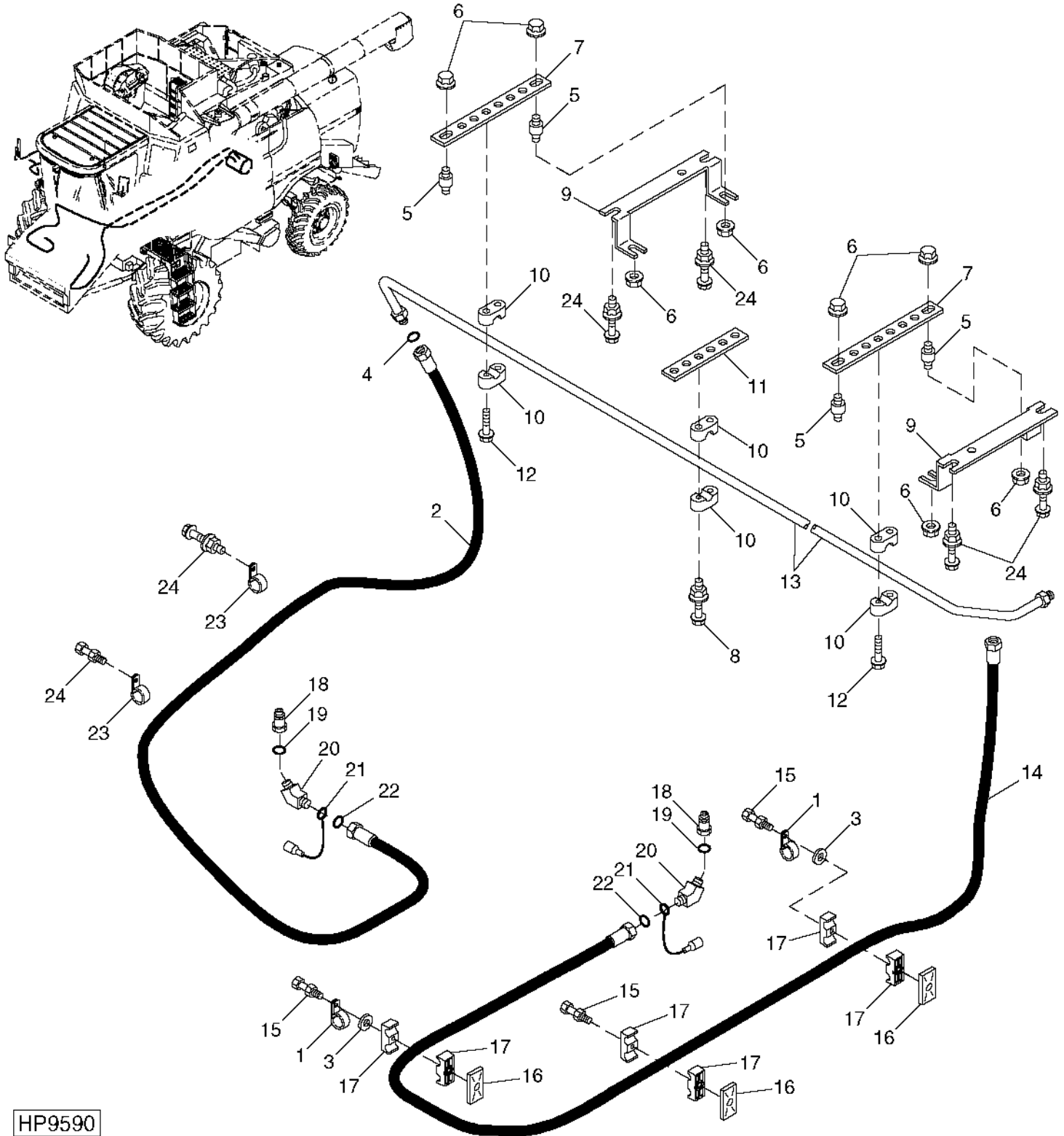
KEY	PART NO.	PART NAME	QTY	SERIAL NO.	9 5 9 5 5 0 5 S 0 H	REMARKS
1	03M7188	BOLT	4		X X	M8 X 40
	14M7298	FLANGE NUT	4		X X	M8
2	H116717	CLAMP	4		X X	
3	R26375	O-RING	2		X X	16.358 X 2.210 MM
4	T77814	O-RING	1		X X	7.645 X 1.778 MM
5	AH149936	OIL LINE	1		X X	(RETRACT)
6	AH131311	HYDRAULIC LINE	1		X X	(EXTEND)
7	H128515	CLAMP	8		X X	
8	H121163	COVER	4		X X	
9	19M7803	SCREW	2		X X	M8 X 70
	14M7298	FLANGE NUT	2		X X	M8
10	03M7189	BOLT	1		X X	M8 X 45
	14M7298	FLANGE NUT	1		X X	M8
11	03M7184	BOLT	2		X X	M8 X 20
	14M7298	FLANGE NUT	2		X X	M8
12	N10217	LOCK NUT	12		X X	6.350 MM
13	AH126657	ISOLATOR	6		X X	
14	H134425	STRAP	1		X X	
15	H134427	BRACKET	1		X X	
16	H134424	BRACKET	1		X X	
17	H140298	STRAP	1		X X	
18	H138411	BRACKET	1		X X	
19	H134434	SUPPORT	1		X X	
20	03M7184	BOLT	2		X X	M8 X 20
	14M7298	FLANGE NUT	2		X X	M8
21	H134428	BRACKET	1		X X	
22	H131115	BRACKET	1		X X	
23	19M7866	SCREW	4		X X	M8 X 20
	14M7396	LOCK NUT	4		X X	M8
24	H127589	CLAMP	2		X X	
25	03M7216	BOLT	1		X X	M8 X 50
26	19M8291	SCREW	1		X X	M8 X 35
27	T77613	O-RING	3		X X	9.246 X 1.778 MM
28	38H1171	ADAPTER	2		X X	
29	19M7801	SCREW	1		X X	M8 X 60
	14M7298	FLANGE NUT	1		X X	M8

2H13

HYDRAULICS

REEL FORE-AND-AFT HYDRAULIC LINES AND HOSES, FRONT (OPTIONAL)

HP9590 -UN-22FEB00



HP9590

2H14

HYDRAULICS

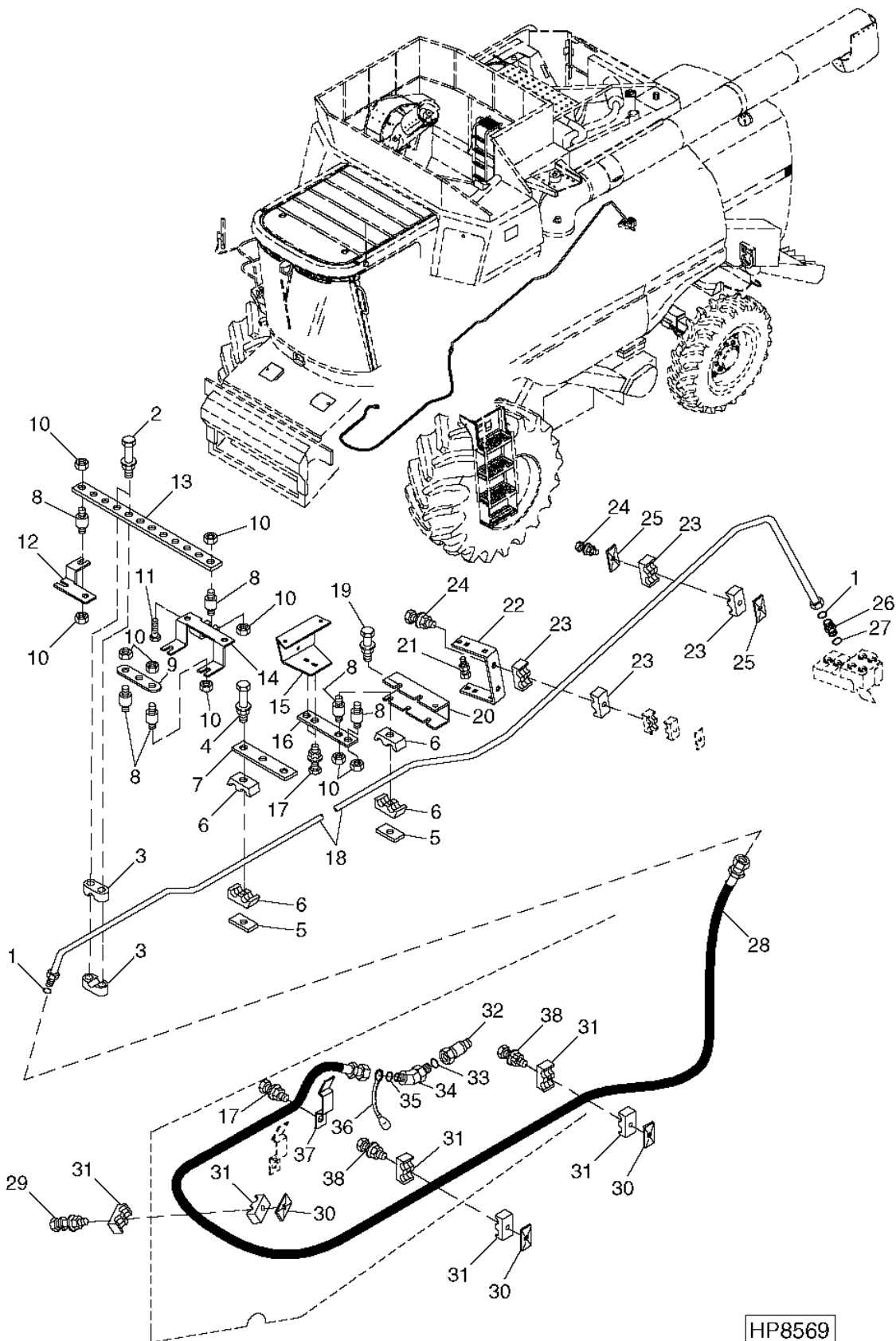
REEL FORE AND AFT HYDRAULIC LINES AND HOSES, FRONT - CONTINUED
(OPTIONAL)

KEY	PART NO.	PART NAME	QTY	SERIAL NO.	REMARKS
					9
					5
					9 5
					5 0
					5 S
					0 H
1	AH96317	CLIP	3		X X
2	AH162138	HYDRAULIC HOSE	1		X X
3	12M7032	LOCK WASHER	3		X X
4	T77814	O-RING	1		X X
5	AH126657	ISOLATOR	4		X X
6	N10217	LOCK NUT	8		X X
					6.350 MM
7	H134429	STRAP	2		X X
8	19M8317	SCREW	2		X X
	14M7298	FLANGE NUT	2		X X
					M8 X 40
					M8
9	H135618	BRACKET	2		X X
10	H116717	CLAMP	6		X X
11	H134558	STRAP	1		X X
12	37M7102	SCREW	4		X X
					M8 X 40
13	AH135682	HYDRAULIC LINE	1		X X
14	AH130560	HYDRAULIC HOSE	1		X X
					9/16" X 3 286 MM X 11/16" (RETRACT)
15	19M8319	SCREW	3		X X
	14M7298	FLANGE NUT	3		X X
					M8 X 50
					M8
16	H121168	PLATE	3		X X
17	H120847	CLAMP	6		X X
18	AH116632	HYD. QUICK-CONNECT COUPLER	2		X X
19	R26448	O-RING	2		X X
20	38H1045	ELBOW FITTING	2		X X
21	AH124832	CAP	2		X X
22	T77613	O-RING	2		X X
					9.246 X 1.778 MM
23	AH78125	CLIP	2		X X
24	19M7866	SCREW	6		X X
	14M7298	FLANGE NUT	6		X X
					M8 X 20

2H15

REEL LIFT LINES AND HOSES

HP8569 -UN-10MAY99



HP8569

2H16

HYDRAULICS

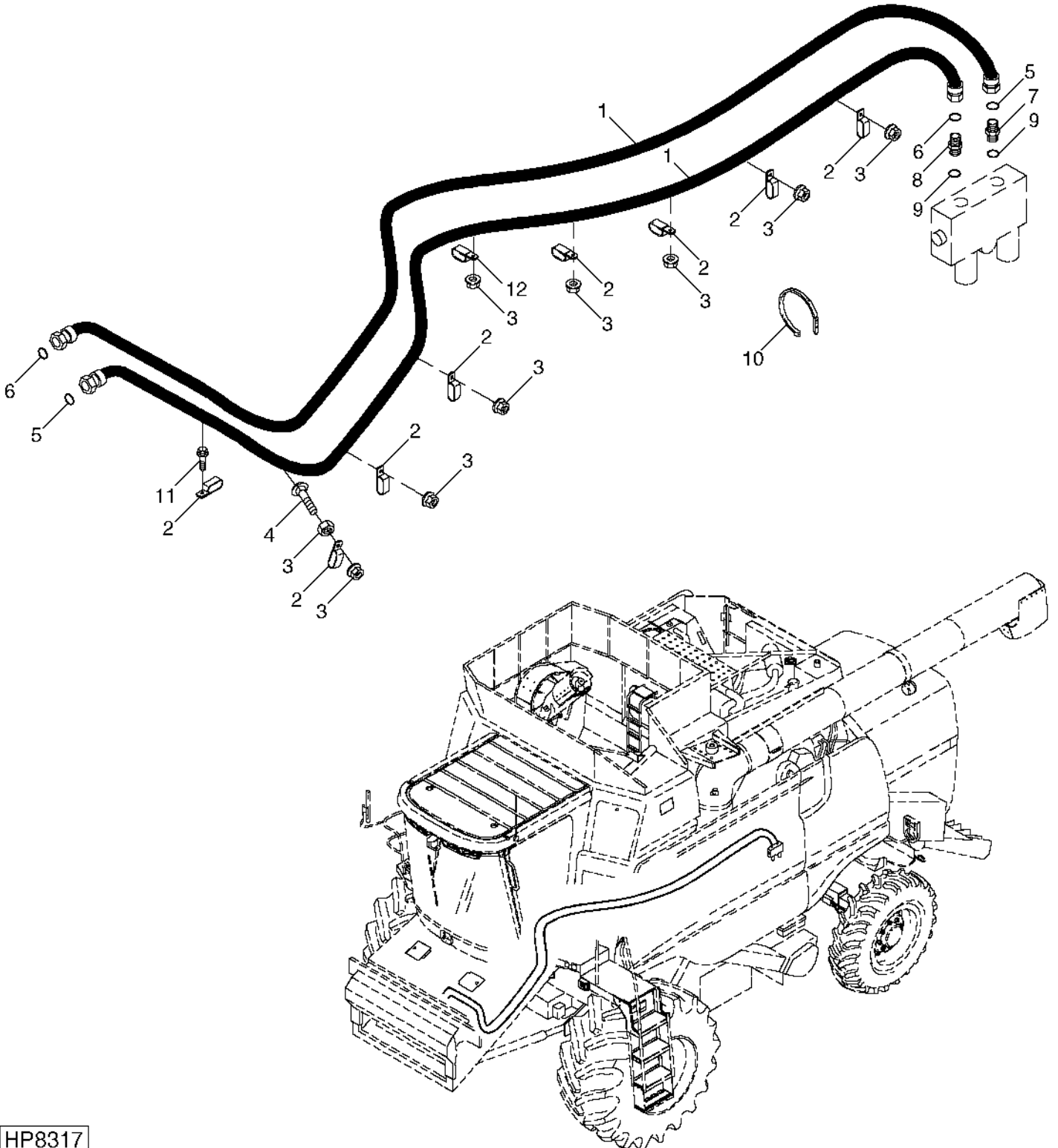
REEL LIFT LINES AND HOSES - CONTINUED

KEY	PART NO.	PART NAME	QTY	SERIAL NO.	0 H	REMARKS
					9	
					5	
					9	
					5	
					0	
					5	
					S	
					0	
					H	
1	T77613	O-RING	2		X X	9.246 X 1.778 MM
2	03M7188	BOLT	2		X X	M8 X 40
	14M7298	FLANGE NUT	2		X X	M8
3	H116717	CLAMP	2		X X	
4	19M7803	SCREW	1		X X	M8 X 70
	14M7298	FLANGE NUT	1		X X	M8
5	H121163	COVER	3		X X	W/ REEL FORE/AFT OPTION
	H121163	COVER	1		X X	W/O REEL FORE/AFT OPTION
6	H128515	CLAMP	8		X X	W/ REEL FORE/AFT OPTION
	H127589	CLAMP	4		X X	W/O REEL FORE/AFT OPTION
7	H131163	STRAP	1		X X	
8	AH126657	ISOLATOR	6		X X	
9	H134425	STRAP	1		X X	
10	N10217	LOCK NUT	12		X X	6.350 MM
11	37M7058	SCREW	4		X X	M8 X 20
12	H134427	BRACKET	1		X X	
13	H140298	STRAP	1		X X	
14	H134424	BRACKET	1		X X	
15	H138411	BRACKET	1		X X	
16	H134434	SUPPORT	1		X X	
17	03M7184	BOLT	3		X X	M8 X 20
	14M7298	FLANGE NUT	3		X X	M8
18	AH135688	HYDRAULIC LINE	1		X X	
19	14M7298	FLANGE NUT	1		X X	M8
	03M7216	BOLT	1		X X	
20	H134428	BRACKET	1		X X	
21	19M7866	SCREW	4		X X	M8 X 20
	14M7396	LOCK NUT	4		X X	M8
22	H131115	BRACKET	1		X X	
23	H109046	CLAMP	4		X X	
24	19M7979	SCREW	2		X X	M8 X 55, W/O REEL FORE/AFT OPTION
	14M7298	FLANGE NUT	2		X X	M8
25	H121168	PLATE	3		X X	
26	38H1160	ADAPTER	1		X X	
27	R26448	O-RING	1		X X	11.887 X 1.981 MM
28	AH130562	HYDRAULIC HOSE	1		X X	11/16" X 3 286 MM X 13/16"
29	19M8319	SCREW	1		X X	M8 X 50
	14M7298	FLANGE NUT	1		X X	M8
	12M7032	LOCK WASHER	1		X X	8.400 MM
30	H121168	PLATE	3		X X	
31	H120847	CLAMP	6		X X	
32	AR94522	INTERNAL HALF COUPLER	1		X X	
33	R26375	O-RING	1		X X	16.358 X 2.210 MM
34	38H1046	ELBOW FITTING	1		X X	
35	T77857	O-RING	1		X X	12.421 X 1.778 MM
36	A15898	CAP	1		X X	
37	H136336	HOSE CLAMP	1		X X	
38	19M7979	SCREW	2		X X	M8 X 55
	14M7298	FLANGE NUT	2		X X	M8
	12M7032	LOCK WASHER	2		X X	8.400 MM
..	BH81384	COMPLETE GOODS/SHIP. BUNDLE	1		X X	REEL FORE AND AFT CONVERSION

2H17

CONTOUR MASTER HYDRAULIC HOSES, L.H. SIDE (OPTIONAL)

HP8317 -UN-14JUL99



HP8317

2H18

HYDRAULICS

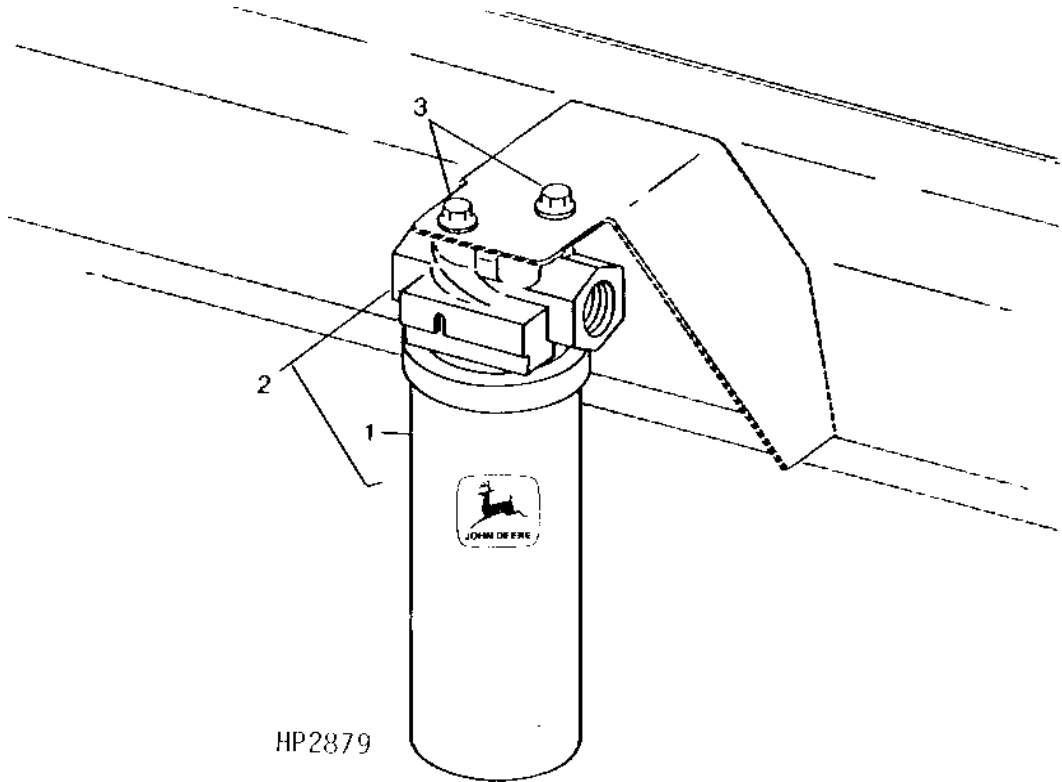
CONTOUR MASTER HYDRAULIC HOSES, L.H. SIDE (OPTIONAL) - CONTINUED

KEY	PART NO.	PART NAME	QTY	SERIAL NO.	9 5 9 5 5 0 5 S 0 H	REMARKS
1	AH143682	HYDRAULIC HOSE	2		X	
2	AH97280	CLIP	10		X	
3	14M7298	FLANGE NUT	10		X	M8
4	03M7185	BOLT	1		X	M8 X 25
5	T77613	O-RING	2		X	9.246 X 1.778 MM, CONNECT HOSE TO PISTON END OF CYLINDER
6	T77814	O-RING	2		X	7.645 X 1.778 MM, CONNECT HOSE TO ROD END OF CYLINDER
7	38H1445	ADAPTER	1		X	TO BOTTOM PORT OF VALVE
8	38H1171	ADAPTER	1		X	TO TOP PORT OF VALVE
9	R26375	O-RING	2		X	16.358 X 2.210 MM
10	R44302	TIE BAND	1		X	171 MM (6-3/4")
11	37M7084	SCREW	1		X	M8 X 25
12	AH77869	CLIP	1		X	

2H19

HYDRAULICS

MAIN HYDRAULIC FILTER ASSEMBLY
 HP2879 -UN-01JAN94



HP2879

9
5
9 5
5 0
5 S
0 H

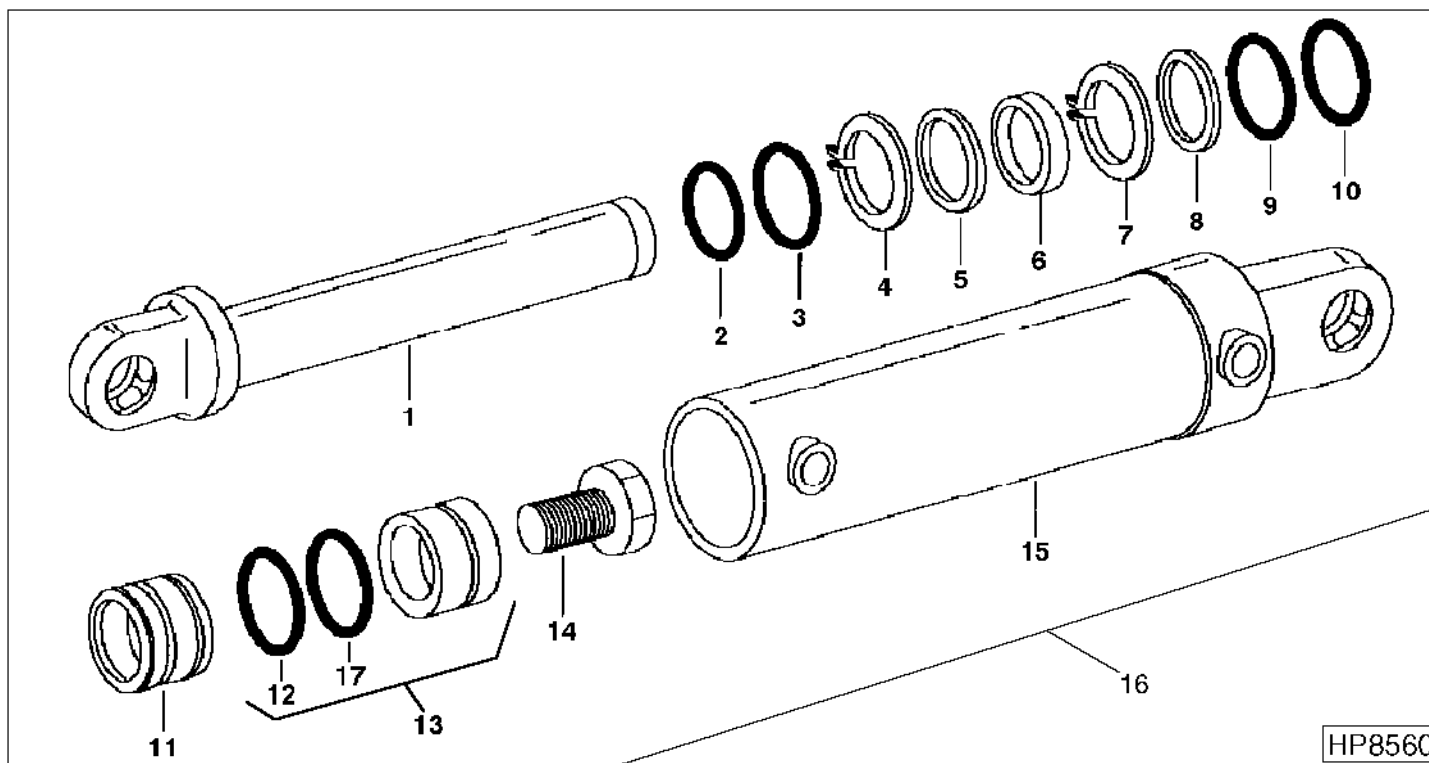
KEY	PART NO.	PART NAME	QTY	SERIAL NO.	REMARKS
1	AH128449	HYDRAULIC FILTER	1	X X	
2	AH125733	FILTER HEAD	1	X X	
3	19M7784	SCREW	2	X X	M10 X 20

2H20

HYDRAULICS

TILT CYLINDER - CONTOUR MASTER

HP8560 -UN-07MAY99



HP8560

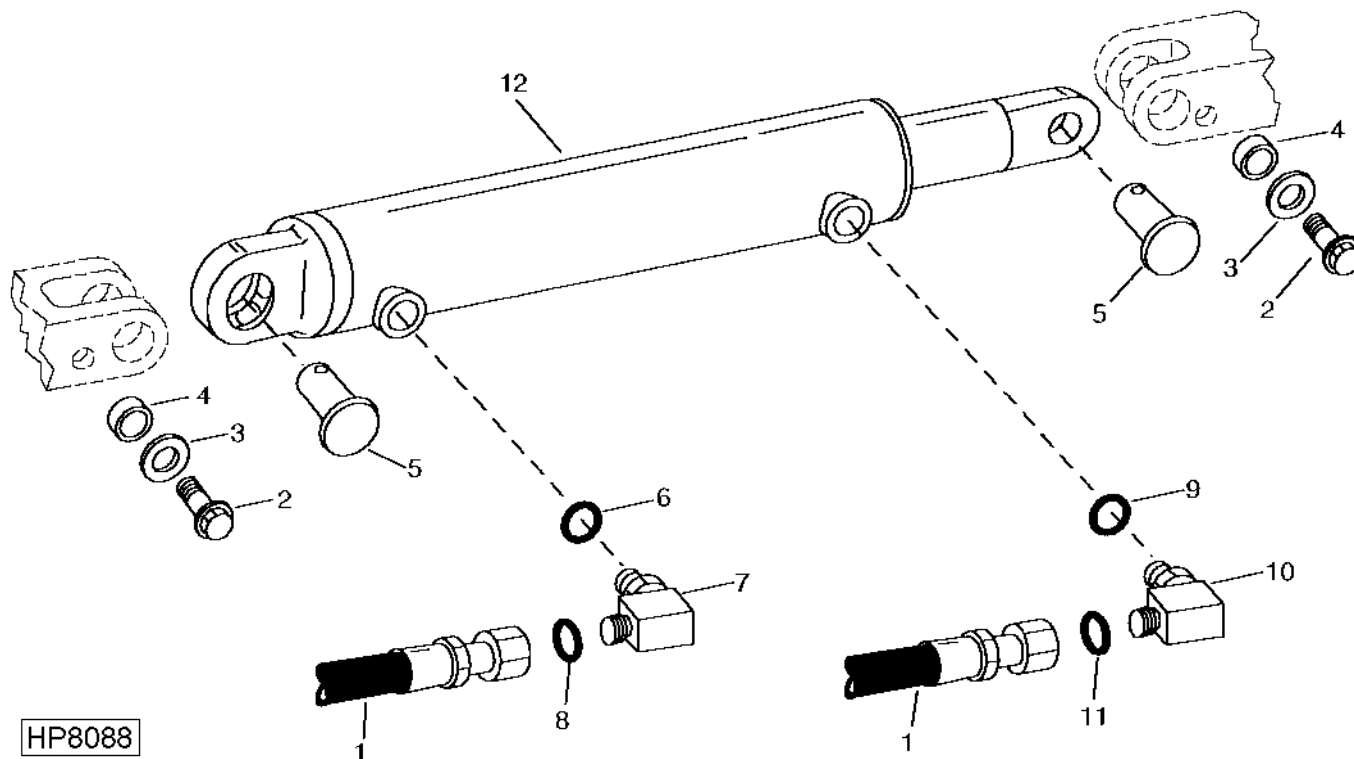
KEY	PART NO.	PART NAME	QTY	SERIAL NO.	9 5 9 5 5 0 H	REMARKS
1	AH144482	ROD	1		X	
2	P45750	O-RING	1		X	
	T22828	O-RING	1		X	(A)
3	H150411	SEAL	1		X	(A)
4	R90565	SNAP RING	1		X	
5	H169509	BACK-UP RING	1		X	(A)
6	H150412	SEAL	1		X	(A)
7	R82571	SNAP RING	1		X	
8	H151629	WEAR RING	1		X	(A)
9	R79117	WASHER	1		X	(A)
10	H158942	O-RING	1		X	(A)
11	H151694	HYDR. CYLINDER ROD GUIDE	1		X	
12	H144342	PISTON RING	1		X	(A)
13	AH138200	PISTON	1		X	
14	19H2672	CAP SCREW	1		X	15.875 X 50.800 MM
15	AH144480	HYDRAULIC CYLINDER BARREL	1		X	
16	AH143322	HYDRAULIC CYLINDER	1		X	
17	U15973	O-RING	1		X	(A)
..	AH167553	HYDRAULIC CYLINDER KIT	1		X	INCLUDES PARTS MARKED (A)

2H21

HYDRAULICS

TILT CYLINDER HOSES AND FITTINGS - CONTOUR MASTER

HP8088 -UN-15DEC98



9
5
9 5
5 0
5 S
0 H

KEY	PART NO.	PART NAME	QTY	SERIAL NO.	REMARKS
1	AH143682	HYDRAULIC HOSE	2	X	
2	19M7866	SCREW	2	X	M8 X 20
3	24H1291	WASHER	2	X	8.331 X 37.313 X 2.769 MM
4	28H1511	WASHER	2	X	9.246 X 13.716 X 6.350 MM
5	R56930	PIN	2	X	18.948 X 69.850 MM
6	R28782	O-RING	1	X	8.915 X 1.829 MM
7	38H1003	ELBOW FITTING	1	X	
8	T77814	O-RING	1	X	7.645 X 1.778 MM
9	R26448	O-RING	1	X	11.887 X 1.981 MM
10	38H1004	ELBOW FITTING	1	X	
11	T77613	O-RING	1	X	9.246 X 1.778 MM
12	AH143322	HYDRAULIC CYLINDER	1	X	

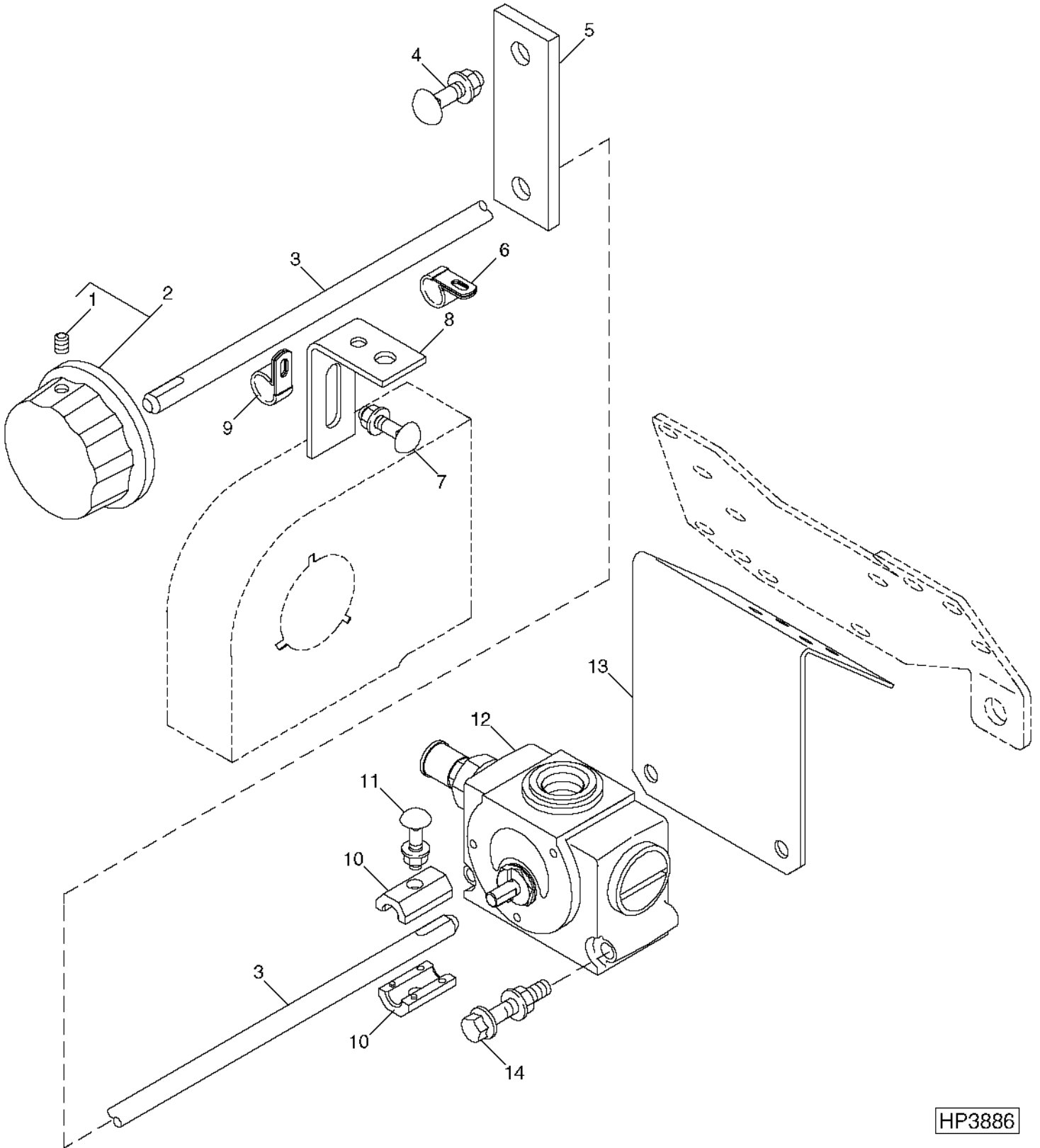
MEMORANDA

2H22

HYDRAULICS

CHAFF SPREADER CONTROL, CHECK VALVE, ROD AND KNOB

HP3886 -UN-24AUG99



HP3886

2H23

HYDRAULICS

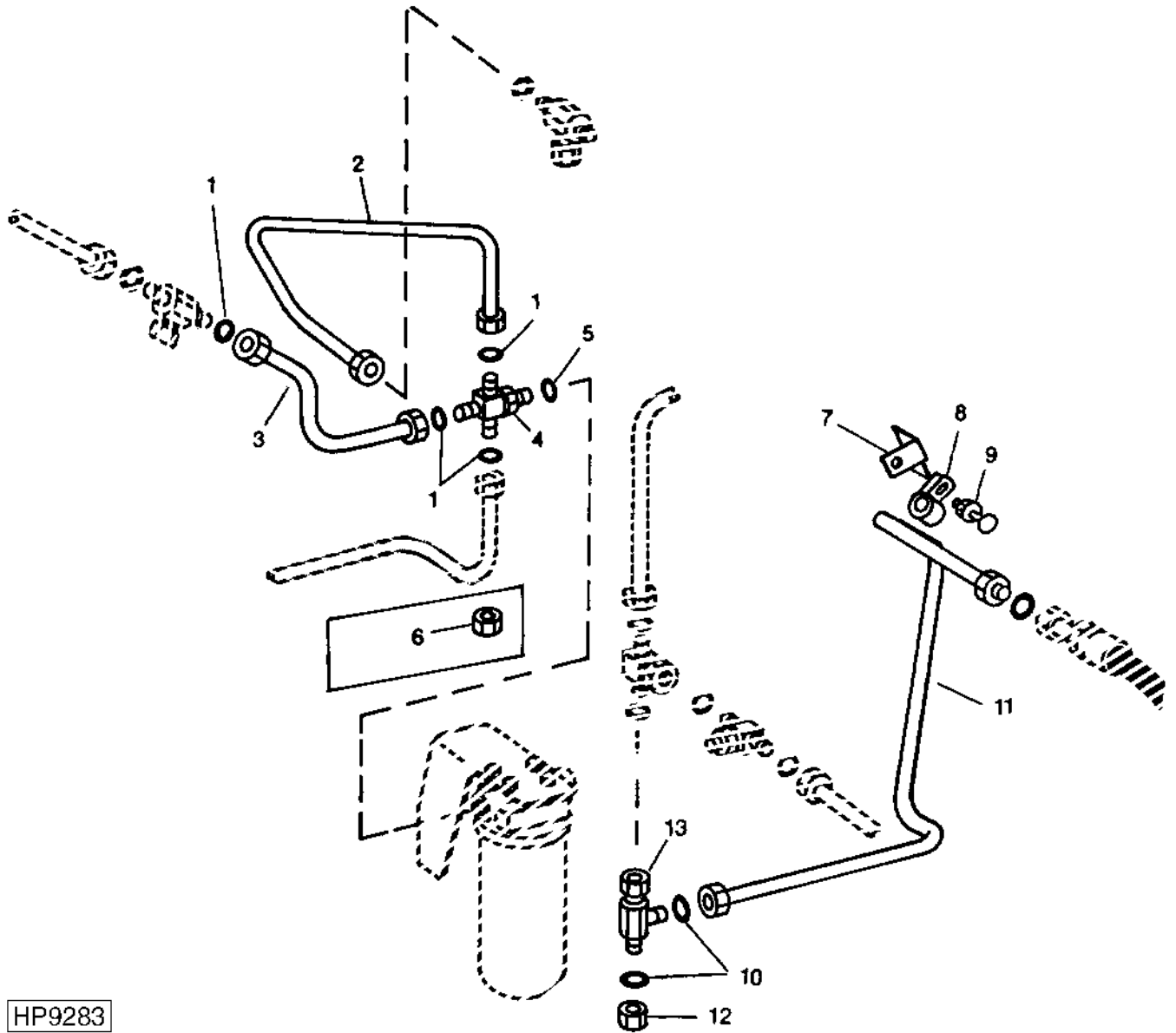
CHAFF SPREADER CONTROL, CHECK VALVE, ROD AND KNOB - CONTINUED

KEY	PART NO.	PART NAME	QTY	SERIAL NO.	0 H	REMARKS
					9	
					5	
					9 5	
					5 0	
					5 S	
					0 H	
1	SET SCREW	2		X X	
2	AH132988	KNOB	1		X X	
3	H144896	PIN	1		X X	
4	03M7184	BOLT	1		X X	
	14M7298	FLANGE NUT	1		X X	M8
5	H139006	STRAP	1		X X	
6	H75541	CLAMP	1		X X	
7	03M7290	BOLT	1		X X	M6 X 30
	14M7303	FLANGE NUT	1		X X	M6
8	H137866	BRACKET	1		X X	
9	AH76882	CLIP	4		X X	
10	H114020	HALF CLAMP	4		X X	
11	19M7775	SCREW	1		X X	M6 X 16
	14M7303	FLANGE NUT	1		X X	M6
12	AH140902	CHECK VALVE	1		X X	
13	H137865	BRACKET	1		X X	
14	19M7979	SCREW	2		X X	M8 X 55
	14M7298	FLANGE NUT	2		X X	M8

2H24

CHAFF SPREADER LINES AND FITTINGS

HP9283 -UN-17NOV99



HP9283

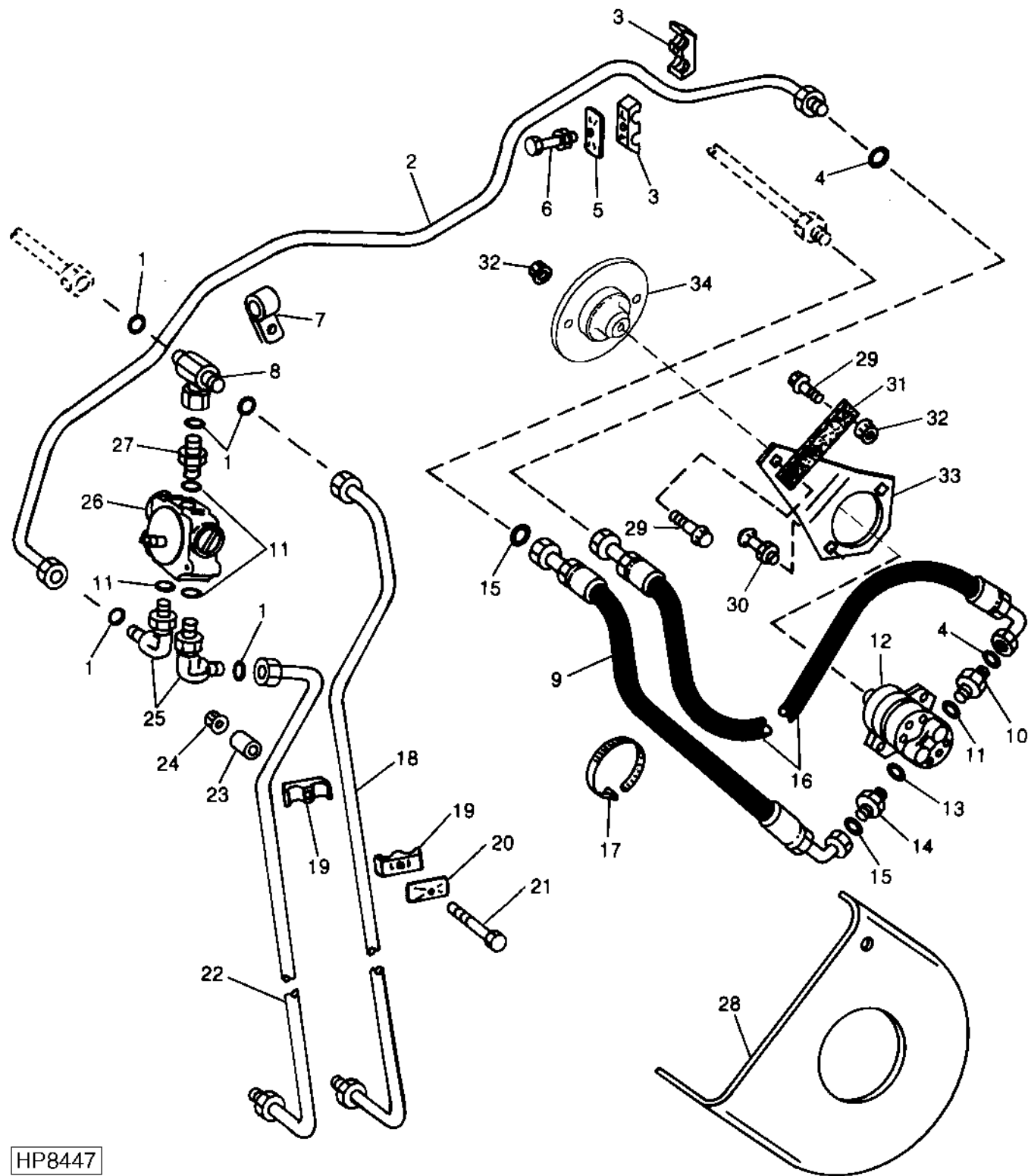
2H25

HYDRAULICS

CHAFF SPREADER LINES AND FITTINGS - CONTINUED

KEY	PART NO.	PART NAME	QTY	SERIAL NO.	9 5 9 5 5 0 5 S 0 H	REMARKS
1	T77858	O-RING	5		X X	
2	AH166345	LINE	1		X X	
3	AH126169	OIL LINE	1		X X	
4	AH132031	FITTING	1		X X	
5	R29936	O-RING	1		X X	
6	38H1418	FITTING PLUG	1		X X	W/O POWERED REAR WHEELS
7	H139964	BRACKET	1		X X	
8	R72659	CLAMP	1		X X	
9	03M7183	BOLT	1		X X	M8 X 16
	14M7298	FLANGE NUT	1		X X	M8
10	T76938	O-RING	2		X X	
11	AH133770	LINE	1		X X	
12	38H1419	FITTING PLUG	1		X X	
13	38H1467	TEE FITTING	1		X X	

CHAFF SPREADER LINES, HOSES, VALVE AND PUMP
HP8447 -UN-12APR99



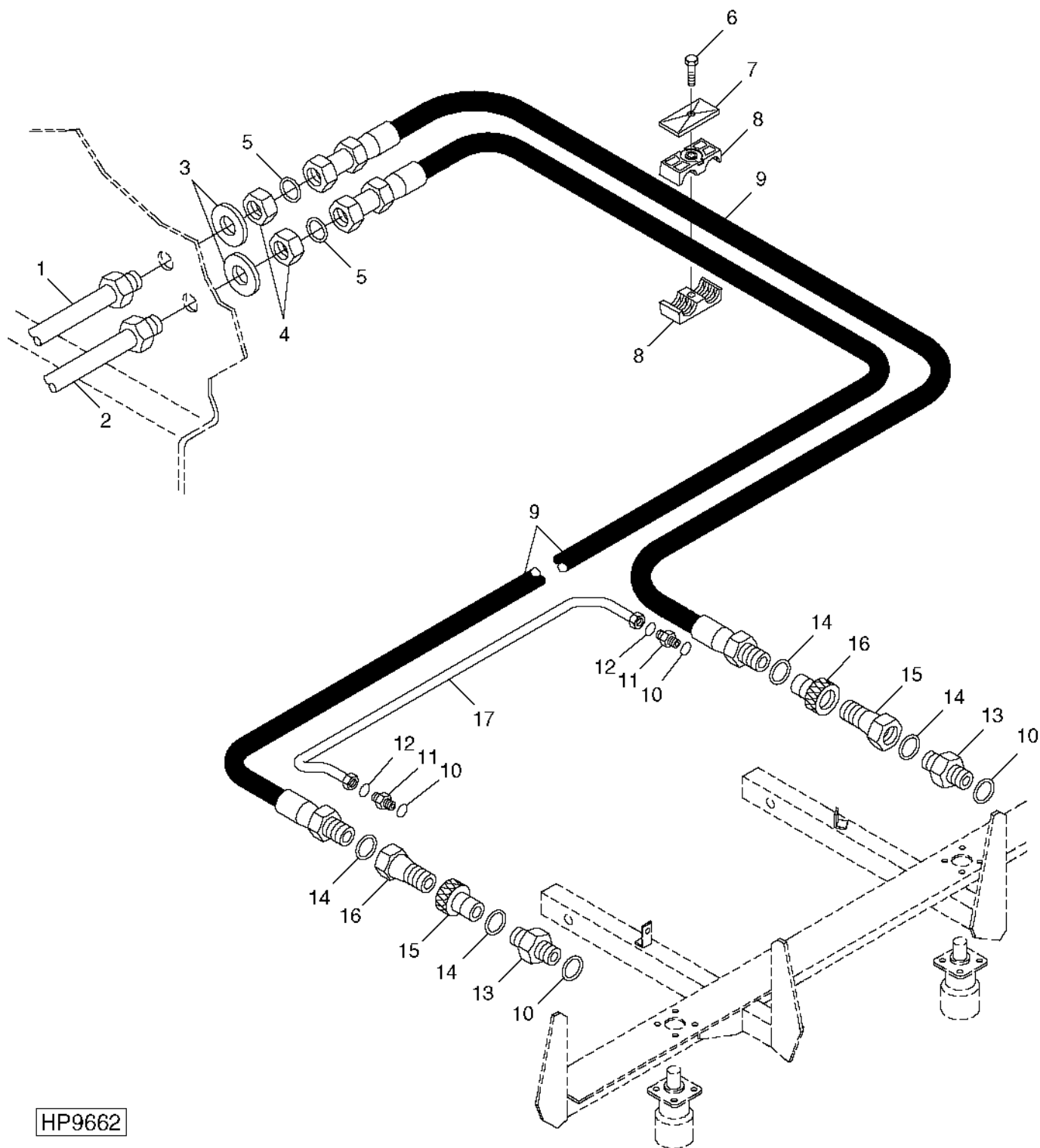
HP8447

CHAFF SPREADER LINES, HOSES, VALVE AND PUMP - CONTINUED

KEY	PART NO.	PART NAME	QTY	SERIAL NO.	9550 S H		REMARKS
					0	H	
1	T77932	O-RING	5		X	X	
2	AH133758	OIL LINE	1		X	X	
3	H120362	CLAMP	2		X	X	
4	T77857	O-RING	2		X	X	
5	H112567	PLATE	1		X	X	
6	19M7801	SCREW	1		X	X	M8 X 60
	14M7298	FLANGE NUT	1		X	X	M8
7	T27523	CLAMP	1		X	X	
8	38H1040	TEE FITTING	1		X	X	
9	AH132200	HYDRAULIC HOSE	1		X	X	1-3/16" X 975 MM (38-1/2") X 1-3/16", (SUCTION)
10	38H1174	ADAPTER	1		X	X	
11	R26906	O-RING	4		X	X	
12	AH131178	HYDRAULIC PUMP	1		X	X	REMANUFACTURED (EATON R25305-RAK)
13	R29936	O-RING	1		X	X	
14	38H1194	ADAPTER	1		X	X	
15	T77858	O-RING	2		X	X	
16	AH132201	HYDRAULIC HOSE	1		X	X	13/16" X 980 MM (38-1/2") X 13/16", (PRESSURE)
17	H77698	TIE BAND	1		X	X	
18	AH133949	OIL LINE	1		X	X	
19	H120847	CLAMP	2		X	X	
20	H121168	PLATE	1		X	X	
21	19M7873	SCREW	1		X	X	M8 X 110
22	AH133948	OIL LINE	1		X	X	
23	L3483N	BUSHING	1		X	X	USED W/O 4-WHEEL DRIVE
24	14M7298	FLANGE NUT	1		X	X	M8
25	38H1006	ELBOW FITTING	2		X	X	
26	AH140902	CHECK VALVE	1		X	X	
27	38H1162	ADAPTER	1		X	X	
28	H137603	SHIELD	1		X	X	
29	19M7867	SCREW	2		X	X	M8 X 25
30	03M7186	BOLT	1		X	X	M8 X 30
	14M7298	FLANGE NUT	2		X	X	M8
31	H78340	STRAP	1		X	X	
32	14M7298	FLANGE NUT	2		X	X	M8
33	H137602	ARM	1		X	X	
34	H157247	HUB	1		X	X	

CHAFF SPREADER HOSES AND LINES (DUAL MOTOR)

HP9662 -UN-31MAR00



HP9662

CHAFF SPREADER HOSES AND LINES - CONTINUED

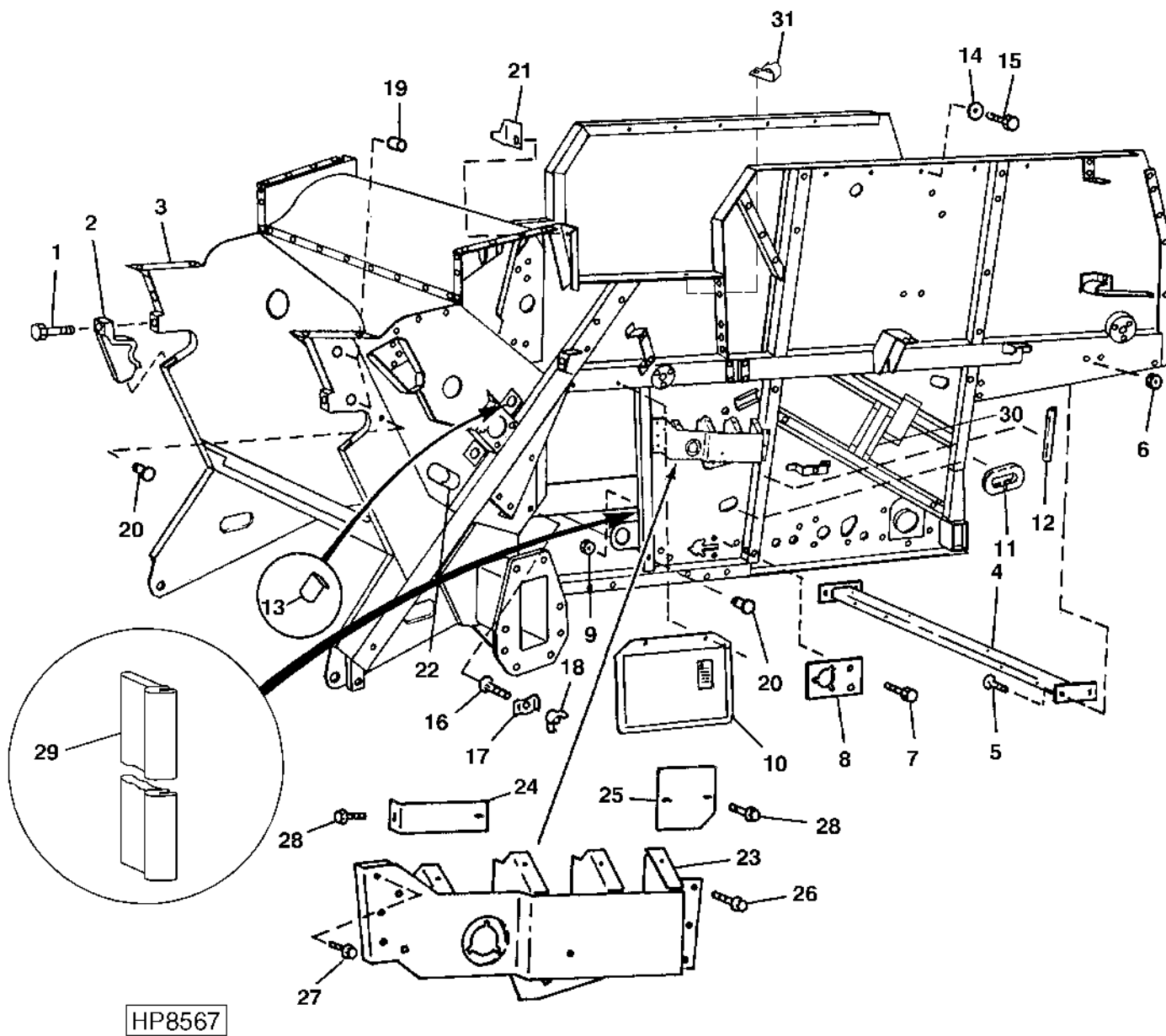
KEY	PART NO.	PART NAME	QTY	SERIAL NO.	9 5 9 5 5 0 5 S 0 H	REMARKS
1	AH133948	OIL LINE	1		X X	PRESSURE
2	AH133949	OIL LINE	1		X X	RETURN
3	24M7051	WASHER	2		X X	21 X 37 X 3 MM
4	T78716	NUT	2		X X	
5	T77857	O-RING	2		X X	
6	19M7913	SCREW	1		X X	M8 X 90
7	H112567	PLATE	1		X X	
8	H122772	CLAMP	2		X X	
9	AH138718	HYDRAULIC HOSE	2		X X	3/4" X 2 800 MM (110-1/4") X 13/16"
10	R26906	O-RING	4		X X	
11	38H1162	ADAPTER	2		X X	
12	T77932	O-RING	2		X X	
13	T62843	ADAPTER	2		X X	
14	R26375	O-RING	4		X X	
15	AH75167	HYD. QUICK-CONNECT COUPLER	2		X X	(INCLUDES INTERNAL O-RING)
16	AR94522	INTERNAL HALF COUPLER	2		X X	
17	AH137986	OIL LINE	1		X X	

MEMORANDA

MEMORANDA

FRAME
HP8567

-UN-13MAY99

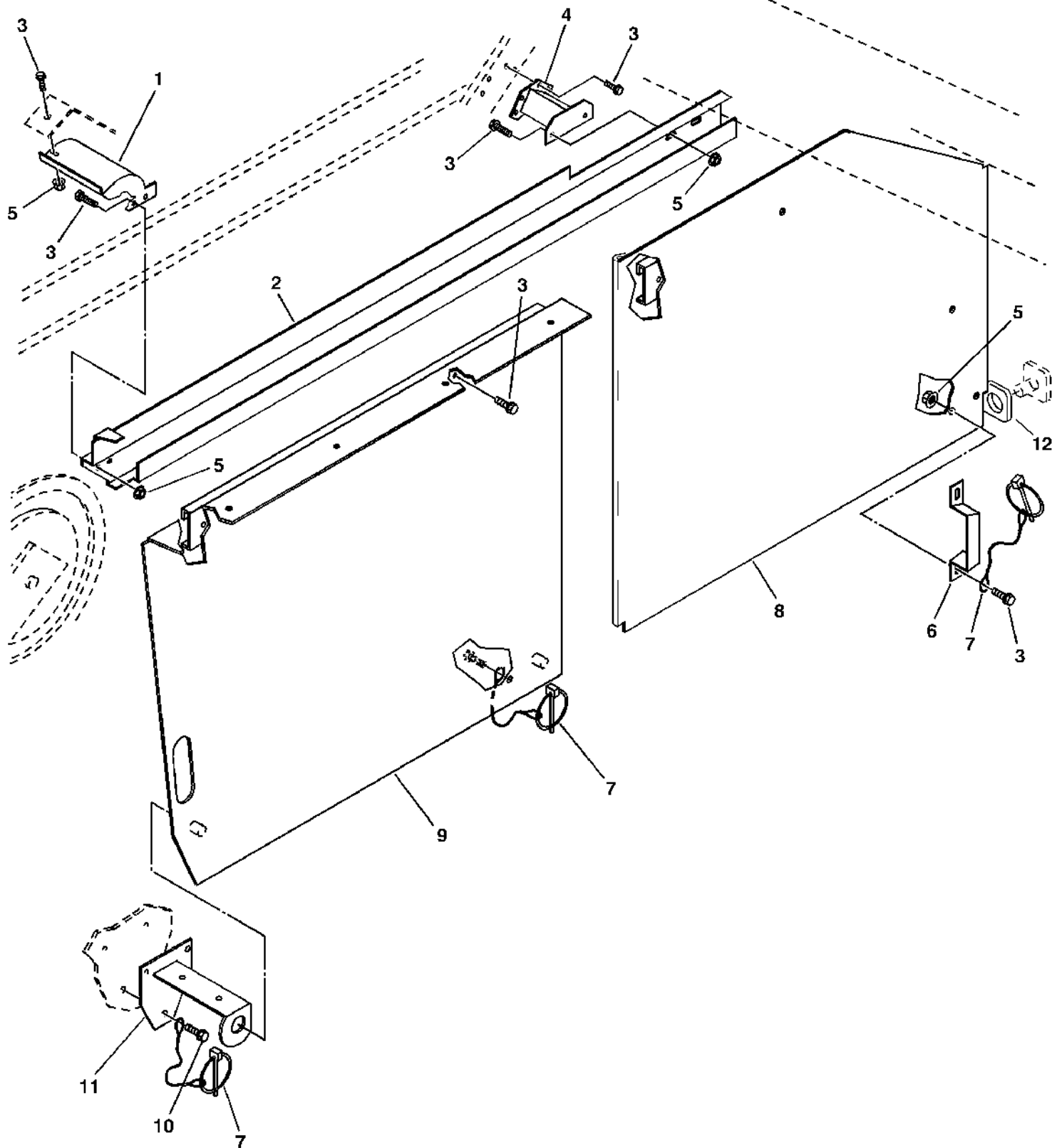


FRAME- CONTINUED

KEY	PART NO.	PART NAME	QTY	SERIAL NO.	9 5 9 5 5 0 5 S 0 H		REMARKS
1	19M7831	SCREW	2		X	X	M20 X 80
2	H158749	RETAINER	2		X	X	
3	FRAME	1		X	X	
4	AH132361	CROSSBAR	1		X	X	
5	19M7811	SCREW	4		X	X	M10 X 90
6	14M7296	FLANGE NUT	4		X	X	M10
7	19M7865	SCREW	2		X	X	M8 X 16
8	H132539	COVER	1		X	X	
9	14M7298	FLANGE NUT	2		X	X	M8
10	H171059	COVER	2		X	X	
11	SEAL	2		X	X	(CUT FROM AH133091)
12	SEAL	2		X	X	(CUT FROM AH133091)
13	H89544	DOOR	4		X	X	
14	24M7178	WASHER	10		X	X	10.500 X 30 X 2.500 MM
15	37M7080	SCREW	10		X	X	M10 X 30
16	03M7185	BOLT	4		X	X	M8 X 25
17	P47159	CLAMP	4		X	X	
18	14M7020	WING NUT	4		X	X	M8
19	H120379	SPACER	4		X	X	
20	H132926	PLUG	4		X	X	
21	H140866	CLAMP	1		X	X	
22	H148000	PLUG	1		X	X	(FOR CONVERSION TO RICE)
23	AH165625	BRACKET	1		X	X	L. H.
	AH165624	BRACKET	1		X	X	R.H.
24	H144715	SHIELD	1		X	X	L. H.
	H144716	SHIELD	1		X	X	R.H.
	H144717	SHIELD	1		X	X	L.H.
26	19M7785	SCREW	2		X	X	M10 X 25
27	19M8292	SCREW	3		X	X	M10 X 50
28	37M7089	SCREW	2		X	X	M6 X 12
29	SEAL	1		X	X	(180 MM) (CUT FROM AH133091)
30	H160265	REINFORCEMENT	2		X	X	
31	AH130222	CLAMP	2		X	X	

LEFT SIDE FRONT SHIELD

HP7403 -UN-11FEB98



HP7403

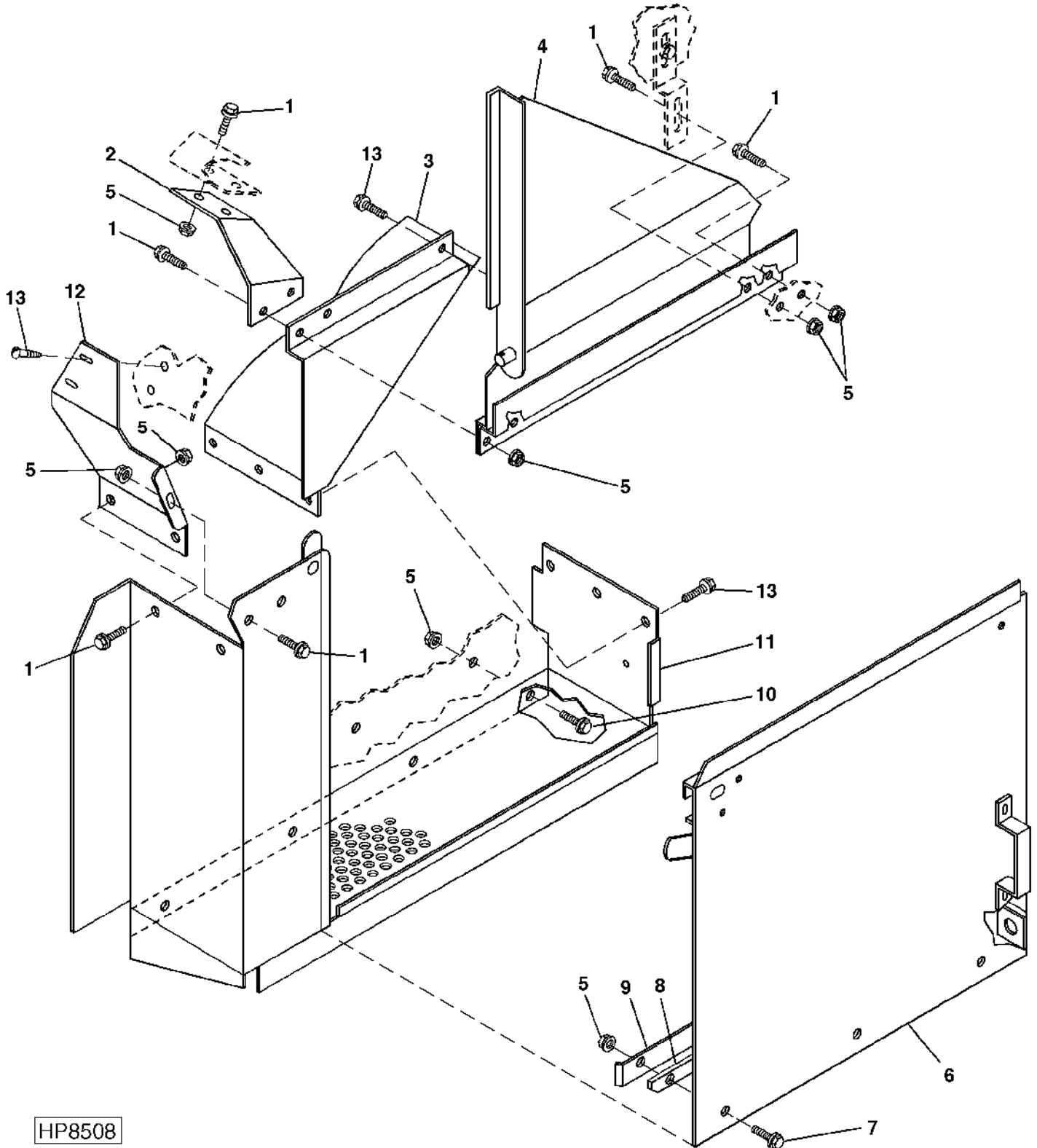
2110

BODY AND SHIELDS

LEFT SIDE FRONT SHIELD - CONTINUED

KEY	PART NO.	PART NAME	QTY	SERIAL NO.	9 5 9 5 5 0 5 S 0 H	REMARKS
1	AH166873	BRACKET	1		X X	
2	AH166872	CHANNEL	1		X X	
3	19M7865	SCREW	10		X X	M8 X 16
4	AH151339	BRACKET	1		X X	
5	14M7298	FLANGE NUT	8		X X	M8
6	H85184	HANDLE	1		X X	
7	AH135290	QUICK LOCK PIN	3		X X	
8	AH158151	SHIELD	1		X X	L.H. REAR UPPER
9	AH151340	SHIELD	1		X X	
10	37M7058	SCREW	3		X X	M8 X 20
11	AH151338	BRACKET	1		X X	
12	H164508	ANGLE	1		X X	SHIELD CLOSURE

LEFT SIDE SHIELD ASSEMBLY
HP8508 -UN-21APR99



HP8508

2112

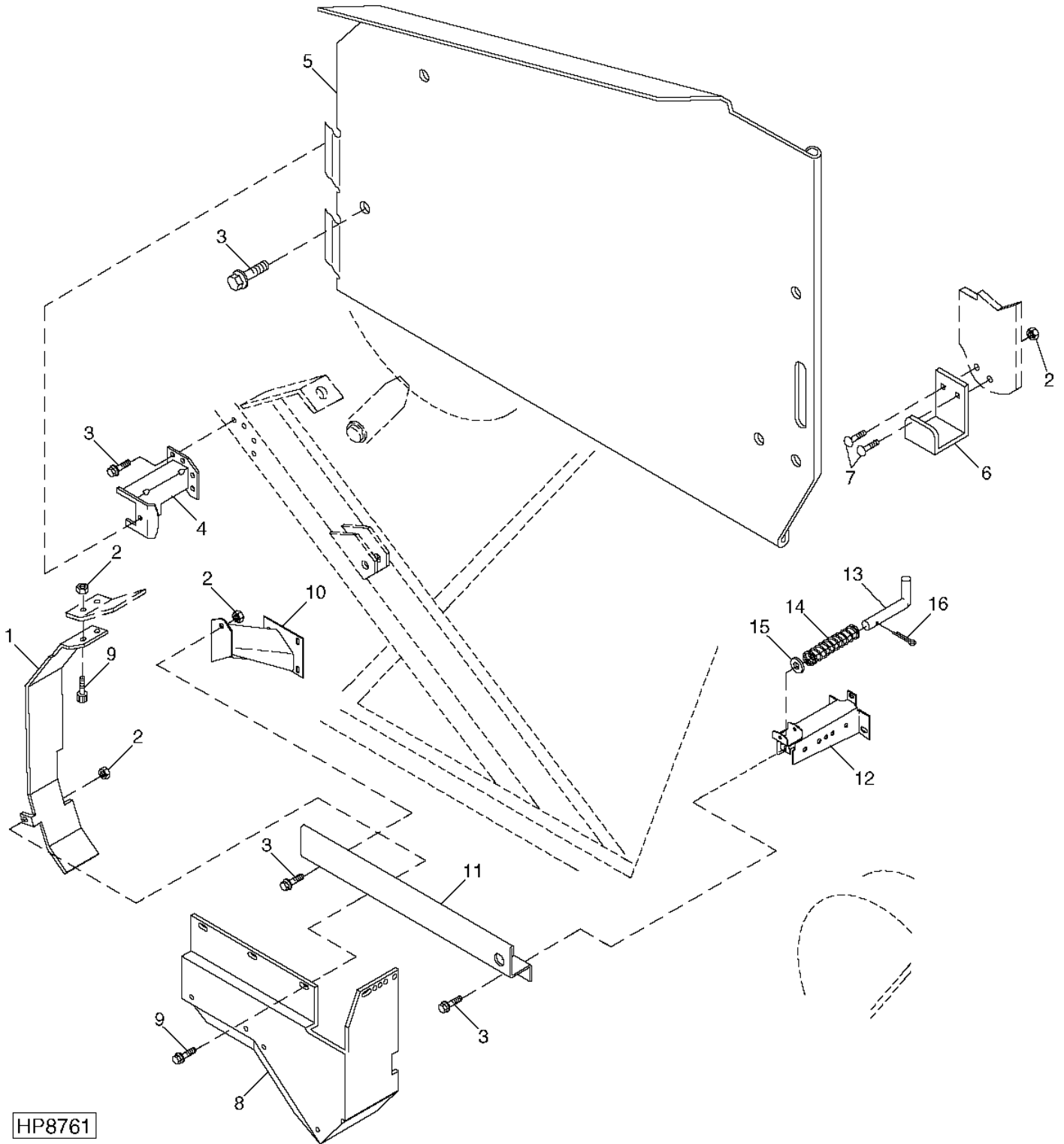
BODY AND SHIELDS

LEFT SIDE SHIELD ASSEMBLY - CONTINUED

KEY	PART NO.	PART NAME	QTY	SERIAL NO.	9 5 9 5 5 0 5 S 0 H	REMARKS
1	19M7865	SCREW	9		X X	M8 X 16
2	H158614	BRACKET	1		X X	
3	H158633	SHIELD	1		X X	
4	AH151347	SUPPORT	1		X X	
5	14M7298	FLANGE NUT	17		X X	M8
6	AH151342	SHIELD	1		X X	
7	19M7866	SCREW	3		X X	M8 X 20
8	H160733	STRIP	1		X X	
9	H158627	CHANNEL	1		X X	
10	37M7086	SCREW	4		X X	M10 X 20
11	AH151343	SHIELD	1		X X	
12	H158616	SHIELD	1		X X	
13	37M7058	SCREW	6		X X	M8 X 20

2113

RIGHT SIDE FRONT SHIELD ASSEMBLY
HP8761 -UN-08JUL99



HP8761

2114

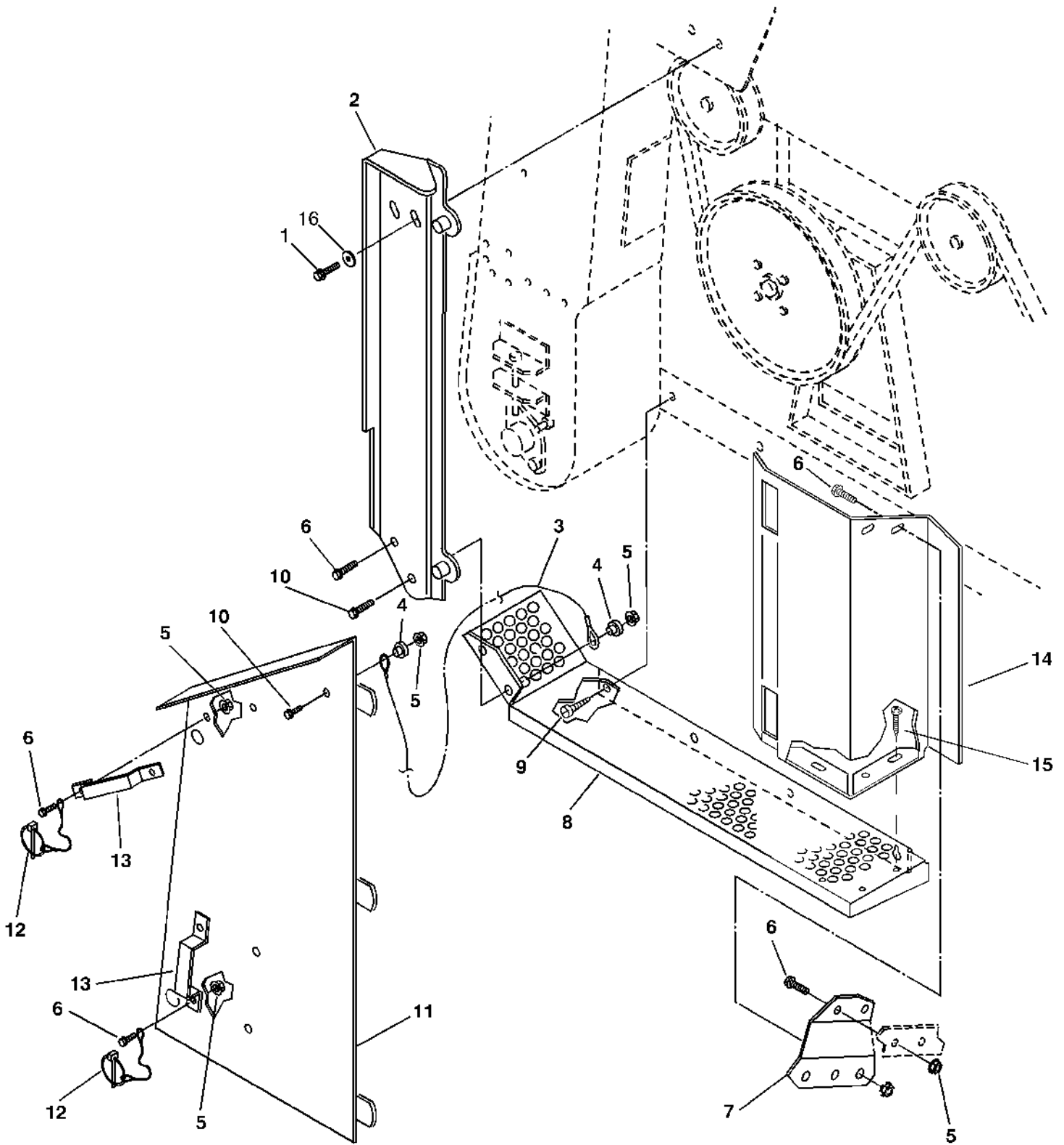
BODY AND SHIELDS

RIGHT SIDE FRONT SHIELD ASSEMBLY - CONTINUED

KEY	PART NO.	PART NAME	QTY	SERIAL NO.	9 5 9 5 5 0 5 S 0 H	REMARKS
1	H160978	SHIELD	1		X	
2	14M7298	FLANGE NUT	8		X X	M8
3	19M7865	SCREW	12		X X	M8 X 16
4	AH151352	BRACKET	1		X X	
5	AH151349	SHIELD	1		X X	
6	H160187	GUIDE	1		X X	
7	03M7184	BOLT	2		X X	M8 X 20
8	AH154567	SHIELD	1		X	
	AH157826	SHIELD	1		X	
9	19M7866	SCREW	3		X X	M8 X 20
10	AH155669	BRACKET	1		X X	
11	H152135	GUIDE	1		X X	
12	AH136285	BRACKET	1		X X	
13	H150746	PIN	1		X X	
14	HZ5621H	SPRING	1		X X	
15	24H1305	WASHER	1		X X	13/32" X 13/16" X 0.065"
16	11M1383	COTTER PIN	1		X X	3.200 X 20 MM

2115

RIGHT SIDE SHIELD ASSEMBLY
HP9179 -UN-13OCT99



HP9179

2116

BODY AND SHIELDS

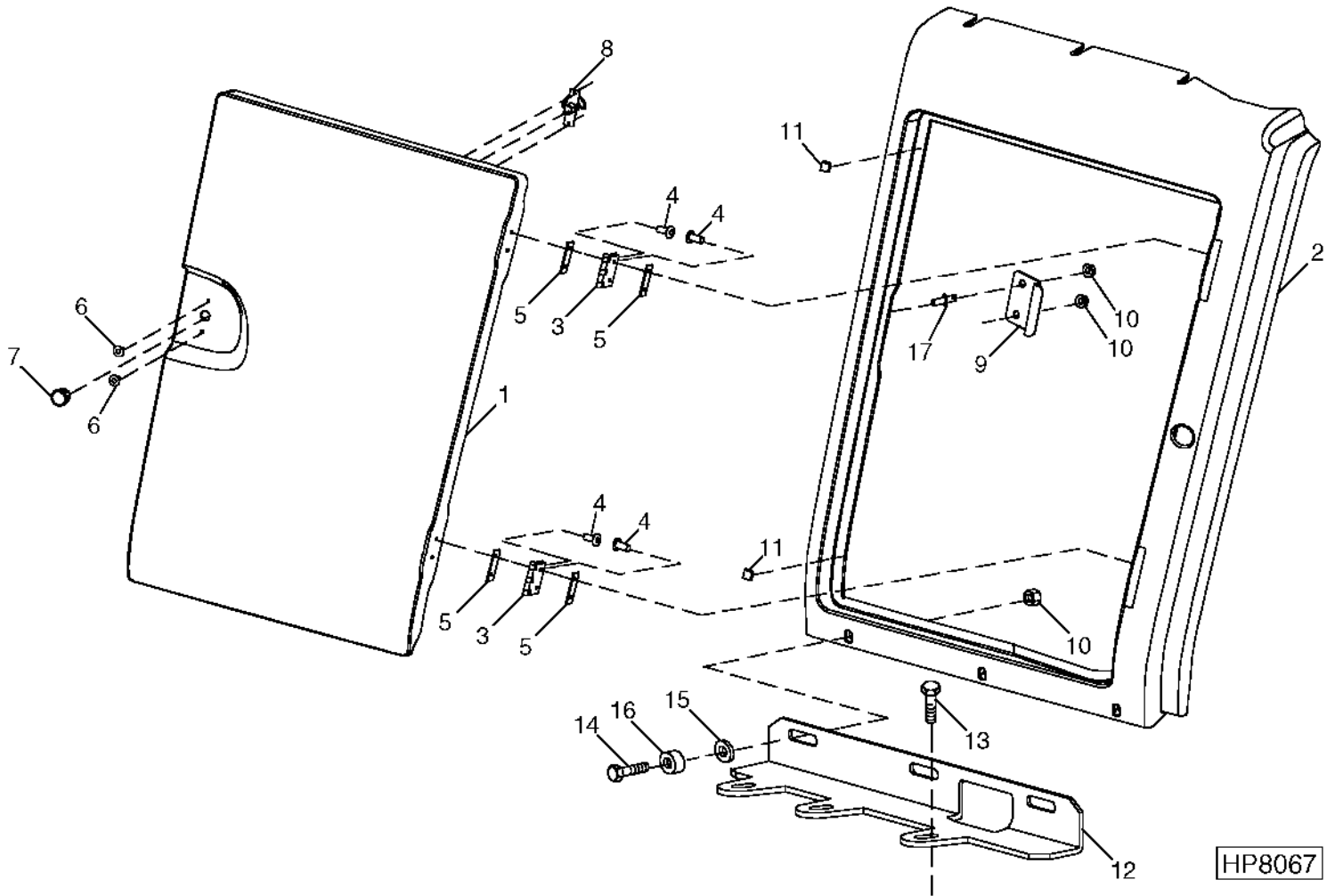
RIGHT SIDE SHIELD ASSEMBLY - CONTINUED

KEY	PART NO.	PART NAME	QTY	SERIAL NO.	9 5 9 5 5 0 5 S 0 H	REMARKS
1	19M7866	SCREW	2		X X	M8 X 20
2	AH151454	SHIELD	1		X X	
3	AH151353	CABLE	1		X X	
4	M93425	SPACER	2		X X	
5	14M7298	FLANGE NUT	5		X X	M8
6	19M7865	SCREW	7		X X	M8 X 16
7	H158646	SHIELD	1		X X	
8	AH159061	SHIELD	1		X X	R.H. LOWER
9	37M7086	SCREW	4		X X	M10 X 20
10	19M7868	SCREW	1		X X	M8 X 30
11	AH151455	SHIELD	1		X X	
12	AH135290	QUICK LOCK PIN	2		X X	
13	H85184	HANDLE	2		X X	
14	H165320	SHIELD	1		X X	R.H.
15	37M7058	SCREW	3		X X	M8 X 20
16	24M7207	WASHER	2		X X	8.400 X 24 X 2 MM

2117

LEFT FRONT PANEL AND DOOR

HP8067 -UN-27JUL99

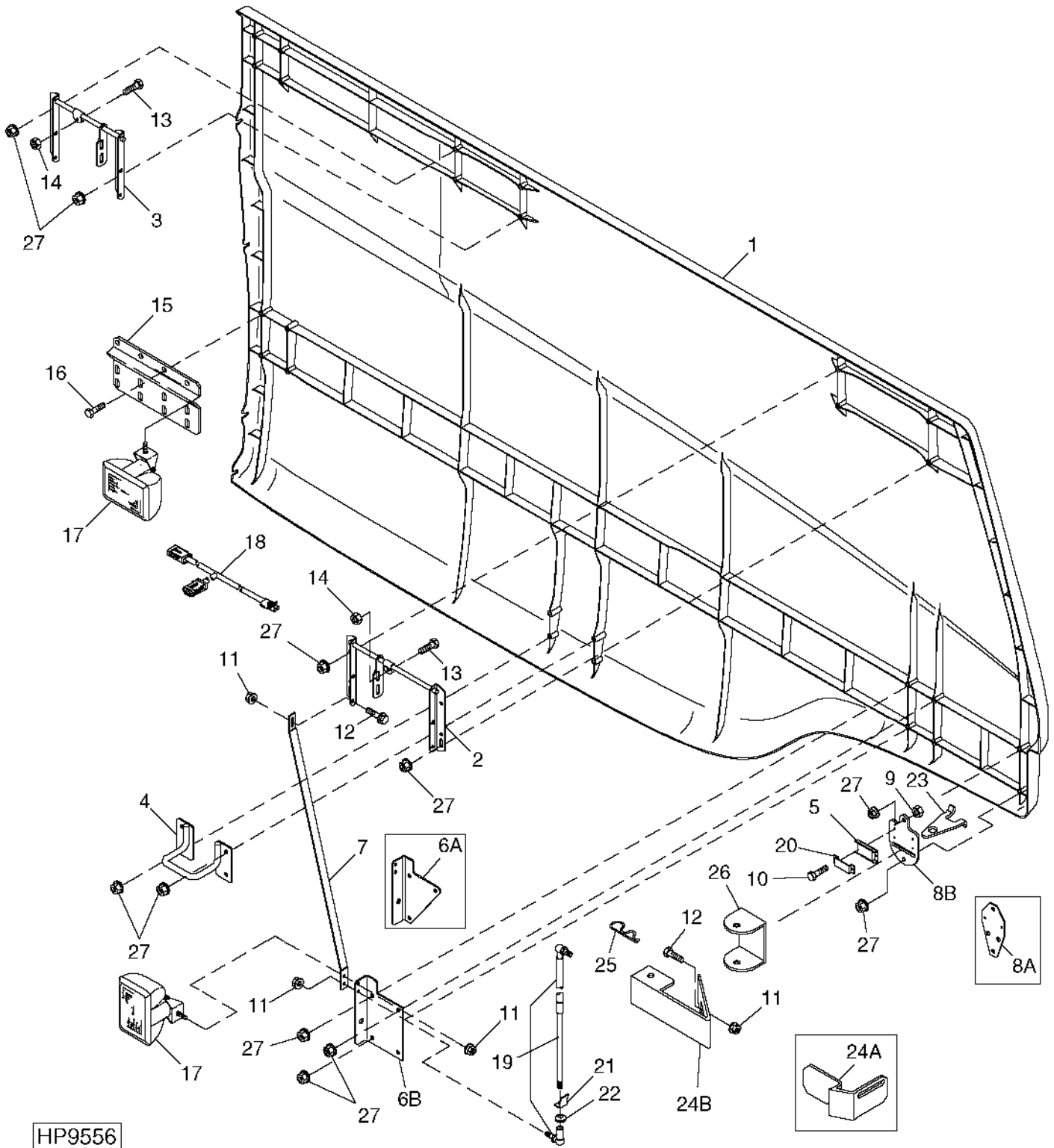


LEFT FRONT PANEL AND DOOR - CONTINUED

KEY	PART NO.	PART NAME	QTY	SERIAL NO.	9 5 9 5 5 0 5 S 0 H	REMARKS
1	AH151787	PANEL	1		X X	
2	AH151786	PANEL	1		X X	(INCLUDES (2) H170272)
3	AH166538	HINGE	2		X X	
4	H172258	RIVET	8		X X	
5	H161171	STRAP	4		X X	
6	H161297	RIVET	2		X X	
7	H121391	KNOB	1		X X	
8	AH125644	LATCH	1		X X	
9	H164572	BRACKET	1		X X	
10	14M7396	LOCK NUT	5		X X	M8
11	N206575	ISOLATOR	2		X X	
12	H159280	BRACKET	1		X X	
13	37M7058	SCREW	3		X X	M8 X 20
14	19M7798	SCREW	3		X X	M8 X 40
15	T25122	WASHER	3		X X	
16	24M7207	WASHER	3		X X	
17	H170272	STUD	2		X X	

2119

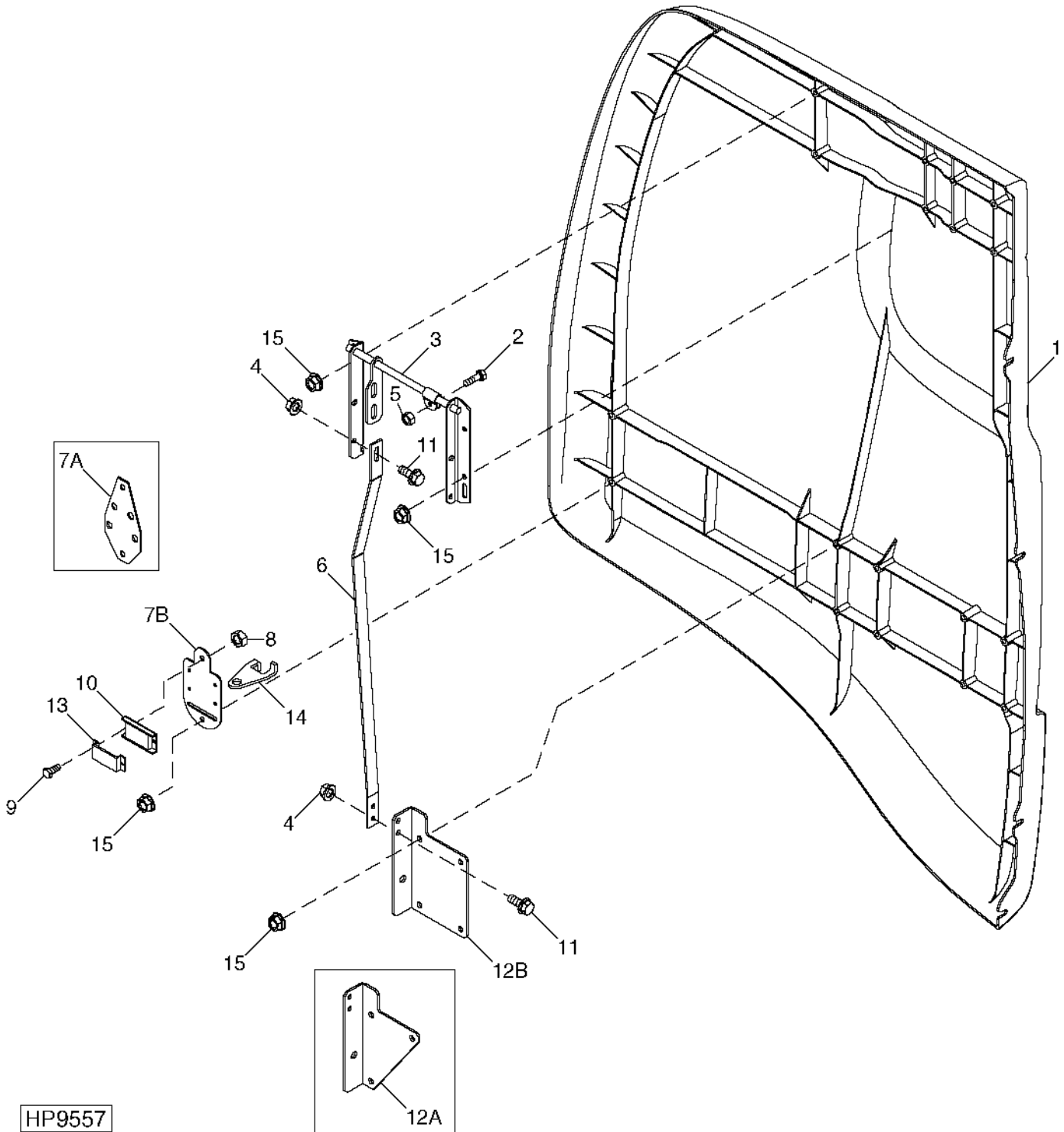
GULLWING DOOR (L.H.)
HP9556 -UN-14FEB00



GULLWING DOOR (L.H.) - CONTINUED

KEY	PART NO.	PART NAME	QTY	SERIAL NO.	0 H	REMARKS
					9	
					5	
					9 5	
					5 0	
					5 S	
					0 H	
1	AH151780	DOOR	1		X X	LEFT
2	AH157617	HINGE	1		X X	
3	AH157618	HINGE	1		X X	
4	AH163305	HANDLE	1		X X	
5	AM102170	MAGNET	2		X X	
6A	H165444	BRACKET	1		X X	(SUB H173460)
6B	H173460	BRACKET	1		X X	
7	H168726	STRAP	1		X X	
8A	H171963	PLATE	1		X X	(SUB H173742)
8B	H173742	PLATE	1		X X	
9	14M7139	NUT	2		X X	M4
10	19M7598	CAP SCREW	2		X X	M4 X 10
11	14M7298	FLANGE NUT	AR		X X	M8
12	19M7866	SCREW	AR		X X	M8 X 20
13	19M7077	CAP SCREW	2		X X	M6 X 20
14	14M7272	NUT	2		X X	M6
15	H159083	BRACKET	2		X X	
16	19M7867	SCREW	4		X X	M8 X 25
17	AH163668	LAMP	2		X X	(SUB AH168385)
	AH168385	LAMP	2		X X	
	AH166909	BULB	2		X X	
18	AH154911	WIRING HARNESS	1		X X	L.H., SERVICE LIGHT
19	AH128597	GAS OPERATED CYLINDER	1		X X	
20	M91405	SHIELD	2		X X	
21	H135965	STOP	1		X X	
22	M68701	GROMMET	1		X X	
23	H173743	BRACKET	1		X X	
24A	H167728	BRACKET	1		X X	(SUB H173784)
24B	H173784	HINGE	1		X X	
25	J16931	SPRING LOCKING PIN	1		X X	
26	H173257	BRACKET	1		X X	
27	14M7396	LOCK NUT	AR		X X	M8
..	BH81522	COMPLETE GOODS/SHIP. BUNDLE	1		X X	SERVICE LIGHTS CONVERSION

LEFT REAR GULLWING DOOR
HP9557 -UN-14FEB00



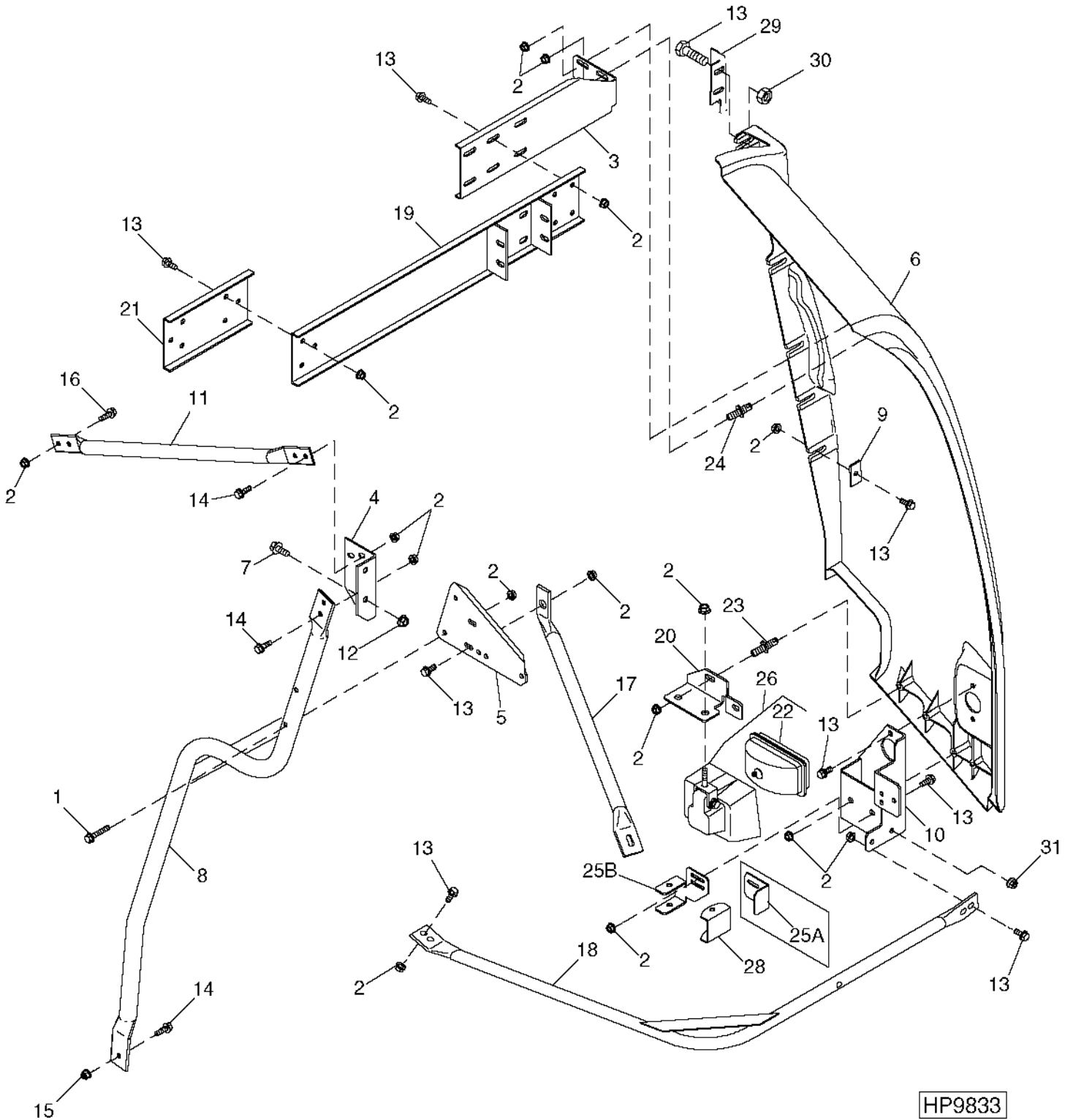
HP9557

LEFT REAR GULLWING DOOR - CONTINUED

KEY	PART NO.	PART NAME	QTY	SERIAL NO.	9 5 9 5 5 0 5 S 0 H	REMARKS
1	AH151785	PANEL	1		X X	
2	19M7077	CAP SCREW	1		X X	M6 X 20
3	AH159937	HINGE	1		X X	
4	14M7298	FLANGE NUT	AR		X X	M8
5	14M7272	NUT	1		X X	M6
6	H168809	STRAP	1		X X	
7A	H171963	PLATE	1		X X	(SUB H173742)
7B	H173742	PLATE	1		X X	
8	14M7139	NUT	4		X X	M4
9	19M7598	CAP SCREW	4		X X	M4 X 10
10	AM102170	MAGNET	2		X X	
11	19M7866	SCREW	2		X X	M8 X 20
12A	H165444	BRACKET	1		X X	(SUB H173460)
12B	H173460	BRACKET	1		X X	
13	M91405	SHIELD	2		X X	
14	H173743	BRACKET	1		X X	
15	14M7396	LOCK NUT	AR		X X	M8

LEFT REAR CORNER PANEL AND REAR LAMP ASSEMBLY

HP9833 -UN-14JUN00



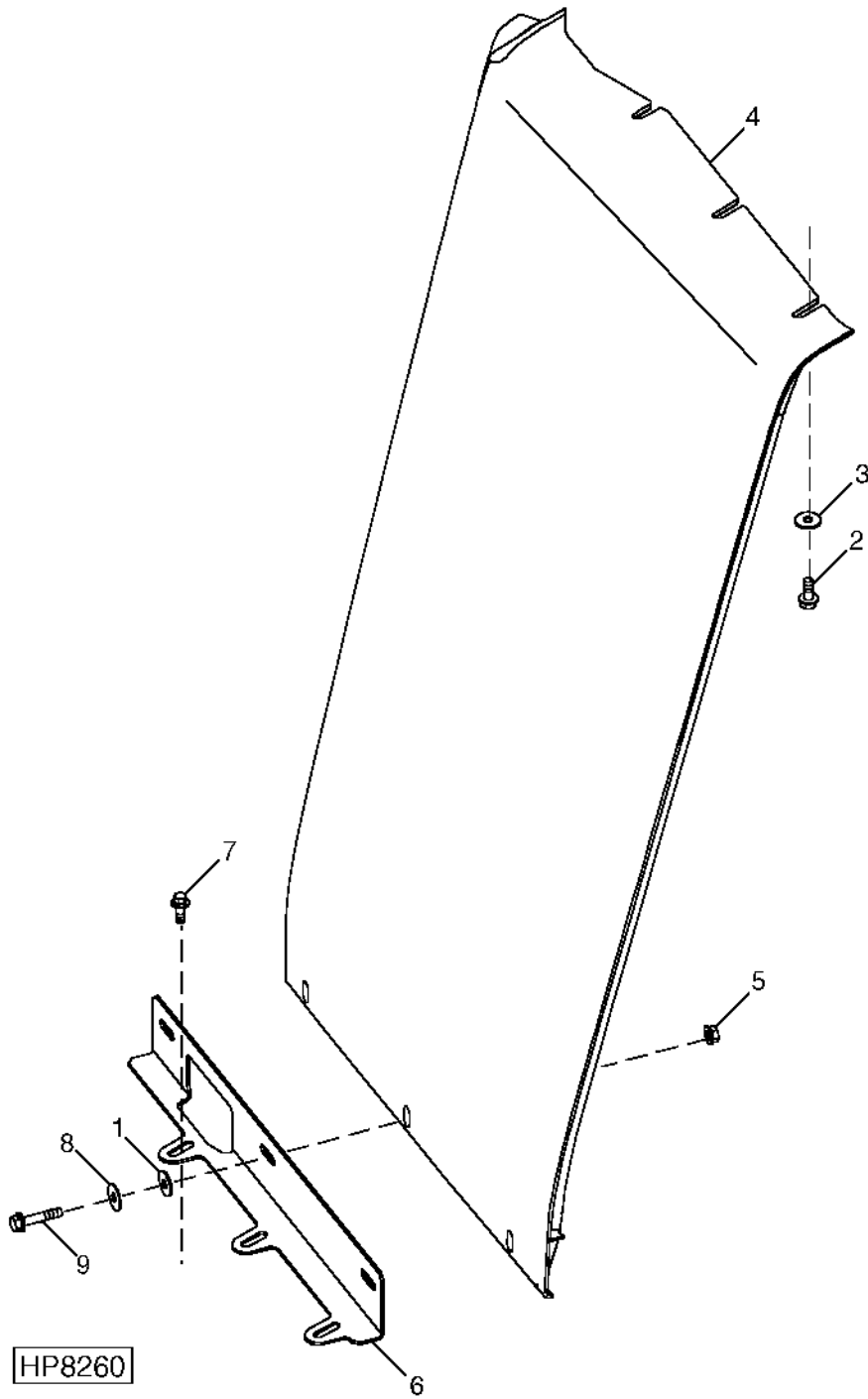
HP9833

LEFT REAR CORNER PANEL AND REAR LAMP ASSEMBLY - CONTINUED

KEY	PART NO.	PART NAME	QTY	SERIAL NO.	0 H	REMARKS
					9	
					5	
					9 5	
					5 0	
					5 S	
					0 H	
1	19M8318	SCREW	2		X X	M8 X 45
2	14M7298	FLANGE NUT	AR		X X	M8
3	H165155	BRACKET	1		X X	
4	H131543	BRACKET	2		X X	
5	H172742	BRACKET	1		X X	
6	AH151784	PANEL	1		X X	(INCLUDES (2) H169900 AND (5) H170272)
7	19M7785	SCREW	2		X X	M10 X 25
8	AH126564	BRACE	1		X X	
9	H137534	STRAP	4		X X	
10	AH168476	BRACKET	1		X X	(SUB FOR AH164136)
11	H132948	BRACE	1		X X	
12	14M7296	FLANGE NUT	2		X X	M10
13	19M7866	SCREW	AR		X X	M8 X 20
14	19M7867	SCREW	5		X X	M8 X 25
15	14M7396	LOCK NUT	1		X X	M8
16	19M7868	SCREW	2		X X	M8 X 30
17	H165700	TUBE	1		X X	
18	AH166463	TUBE	1		X X	
19	AH160714	CHANNEL	1		X X	
20	H172205	BRACKET	1		X X	L.H. REAR DISCHARGE LIGHT
21	H132008	CHANNEL	1		X X	
22	AH165877	BULB	1		X X	
23	H169900	STUD	2		X X	
24	H170272	STUD	4		X X	
25A	H170484	BRACKET	1		X X	(SUB H173258) DOOR STOP
25B	H173258	BRACKET	1		X X	
26	AH158038	FLOODLAMP	1		X X	
27	J16931	SPRING LOCKING PIN	1		X X	
28	H173257	BRACKET	1		X X	
29	H174047	ANGLE	1		X X	
30	14M7298	FLANGE NUT	3		X X	
31	14M7296	FLANGE NUT	2		X X	M10

2J1

RIGHT FRONT PANEL
HP8260 -UN-24FEB99



2J2

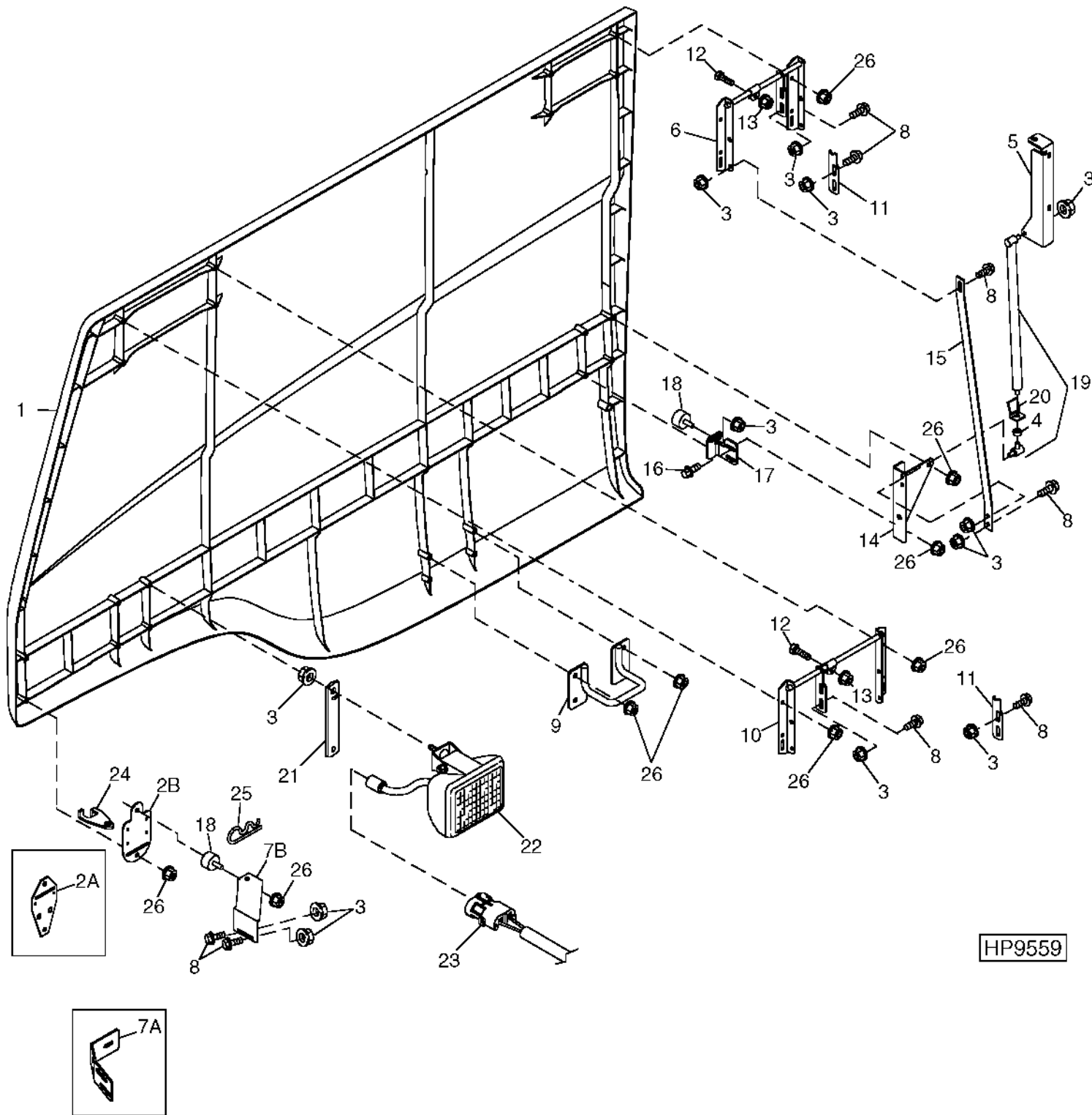
BODY AND SHIELDS

RIGHT FRONT PANEL - CONTINUED

KEY	PART NO.	PART NAME	QTY	SERIAL NO.	9 5 9 5 5 0 5 S 0 H	REMARKS
1	T25122	WASHER	3		X X	
2	19M7866	SCREW	3		X X	M8 X 20
3	24H1291	WASHER	3		X X	8.331 X 37.313 X 2.769 MM
4	AH151788	PANEL	1		X X	NARROW
5	14M7298	FLANGE NUT	3		X X	M8
6	H159281	BRACKET	1		X X	
7	37M7058	SCREW	3		X X	M8 X 20
8	24M7207	WASHER	3		X X	8.400 X 24 X 2 MM
9	19M7798	SCREW	3		X X	M8 X 40

2J3

GULLWING DOOR (R.H.)
HP9559 -UN-14FEB00



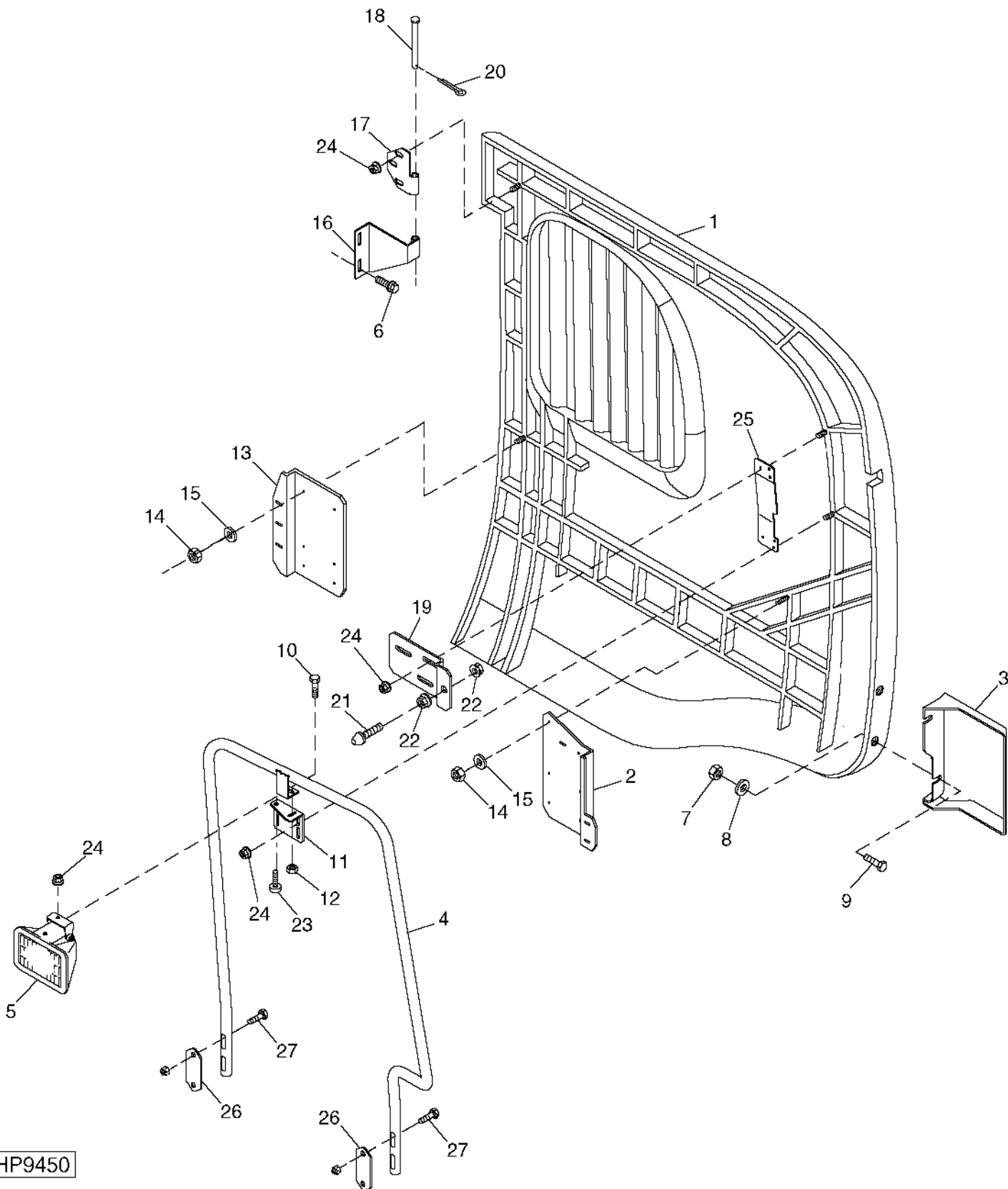
HP9559

GULLWING DOOR (R.H.) - CONTINUED

KEY	PART NO.	PART NAME	QTY	SERIAL NO.	0 H	REMARKS
					9	
					5	
					9	
					5	
					0	
					5	
					S	
					0	
					H	
1	AH151779	DOOR	1		X X	RIGHT
2A	H171963	PLATE	1		X X	(SUB H173742)
2B	H173742	PLATE	1		X X	
3	14M7298	FLANGE NUT	AR		X X	M8
4	M68701	GROMMET	1		X X	
5	H168811	BRACKET	1		X X	
6	AH157618	HINGE	1		X X	
7A	H167686	BRACKET	1		X X	(SUB H174283)
7B	H174283	BRACKET	1		X X	
8	19M7866	SCREW	12		X X	M8 X 20
9	AH163305	HANDLE	1		X X	
10	AH157617	HINGE	1		X X	
11	H159011	PLATE	2		X X	
12	19M7077	CAP SCREW	2		X X	M6 X 20
13	14M7272	NUT	2		X X	M6
14	H165444	BRACKET	1		X X	
15	H168812	STRAP	1		X X	
16	37M7058	SCREW	2		X X	
17	H167830	BRACKET	1		X X	
18	AH154566	BUMPER	2		X X	
19	AH161391	SPRING ASSEMBLY	1		X X	
20	H135965	STOP	1		X X	
21	H169896	BRACKET	1		X X	
22	AH163668	LAMP	1		X X	(SUB AH168385) SERVICE LIGHT
	AH168385	LAMP	1		X X	
	AH166909	BULB	1		X X	
23	AH154912	WIRING HARNESS	1		X X	R.H., SERVICE LIGHT
24	H173743	BRACKET	1		X X	
25	J16931	SPRING LOCKING PIN	1		X X	
26	14M7396	LOCK NUT	AR		X X	M8

2J5

R.H. REAR DOOR
HP9450 -UN-22DEC99



HP9450

2J6

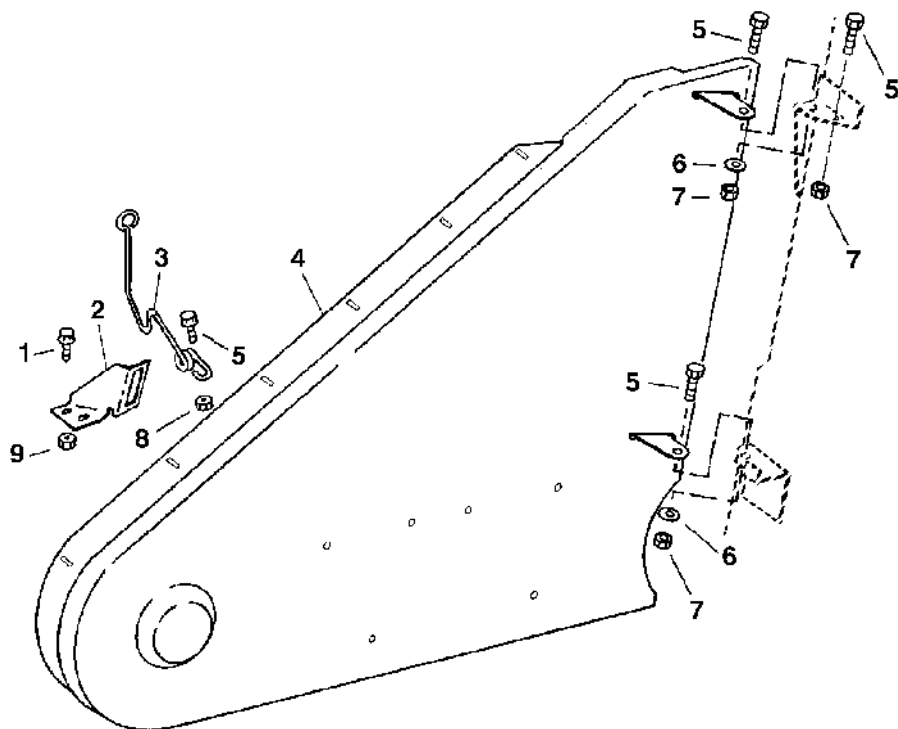
BODY AND SHIELDS

R.H. REAR DOOR - CONTINUED

KEY	PART NO.	PART NAME	QTY	SERIAL NO.	0 H	REMARKS
					9	
					5	
					9 5	
					5 0	
					5 S	
					0 H	
1	AH151781	DOOR	1		X X	RADIATOR
2	H159304	BRACKET	1		X X	
3	AH160443	PANEL	1		X X	
4	AH157036	HANDRAIL	1		X X	
5	AH163668	LAMP	1		X X	(SUB AH168385)
	AH168385	LAMP	1		X X	
	AH166909	BULB	1		X X	
6	19M7784	SCREW	2		X X	M10 X 20
7	14M7296	FLANGE NUT	AR		X X	M10
8	24M7207	WASHER	AR		X X	8.400 X 24 X 2 MM
9	19M7866	SCREW	AR		X X	M8 X 20
10	03M7091	BOLT	AR		X X	M6 X 40
11	H170577	ANGLE	1		X X	
12	14M7272	NUT	AR		X X	M6
13	H159305	BRACKET	1		X X	RADIATOR DOOR, FRONT
14	H141123	NUT	AR		X X	10 MM
15	24M7207	WASHER	AR		X X	
16	H172308	PLATE	1		X X	
17	H172309	HINGE	1		X X	
18	45M7048	PIN	1		X X	HINGE
19	H170578	ANGLE	1		X X	
20	11M7059	COTTER PIN	1		X X	
21	H133042	PIN	1		X X	
22	14M7299	FLANGE NUT	2		X X	M12
23	19M7785	SCREW	1		X X	M10 X 25
24	14M7296	FLANGE NUT	AR		X X	M10
25	H174129	PLATE	1		X X	
26	H173723	STRAP	2		X X	
27	19M7805	SCREW	4		X X	M10 X 45

DRIVE SHIELD (R.H. REAR)

HP8824 -UN-14JUL99



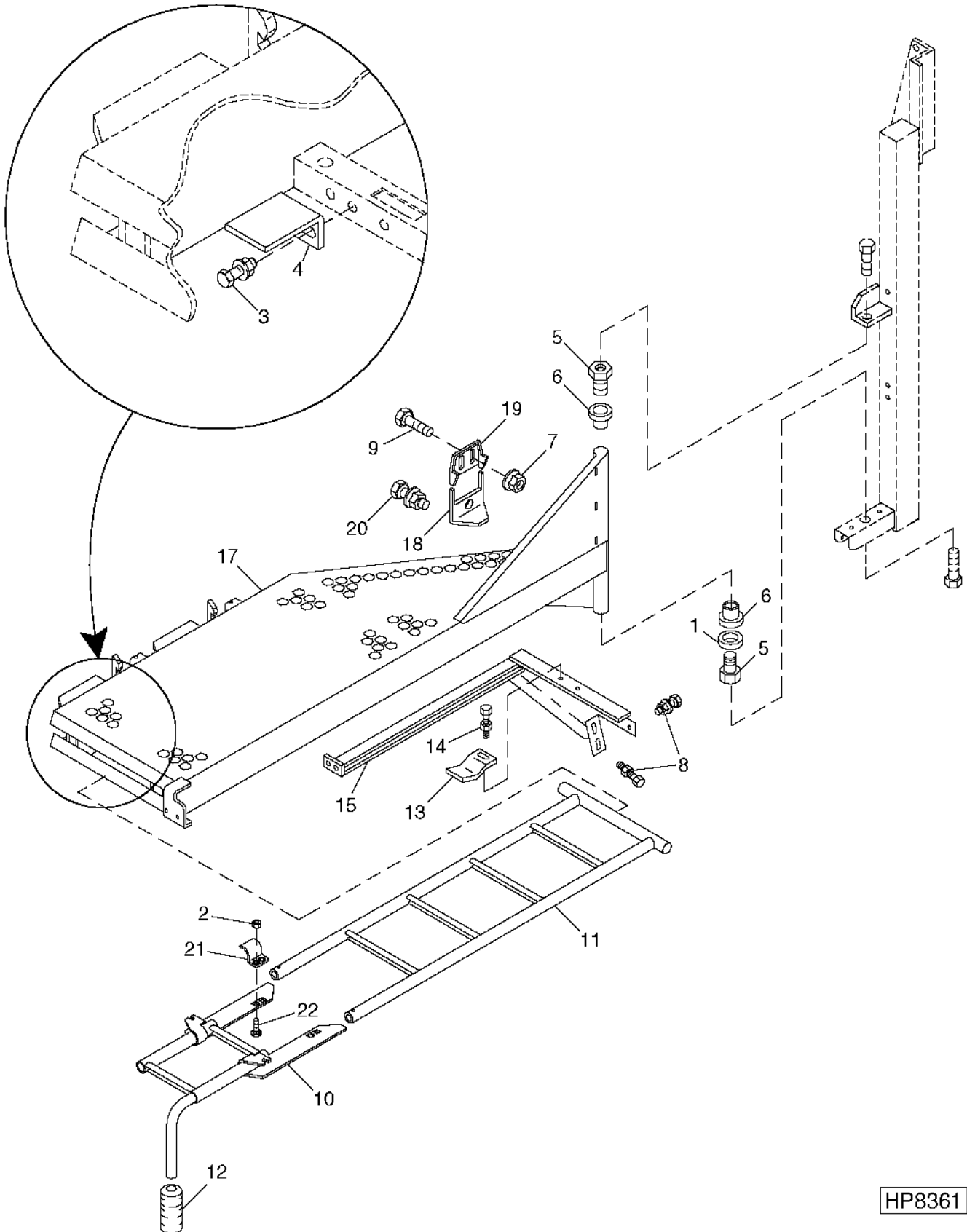
HP8824

KEY	PART NO.	PART NAME	QTY	SERIAL NO.	REMARKS
1	19M7866	SCREW	2		M8 X 20
2	H141813	BRACKET	1		
3	H130930	SPRING	1		
4	AH150239	SHIELD	1		
5	19M7785	SCREW	4		M10 X 25
6	24M7028	WASHER	2		10.500 X 20 X 2 MM
7	14M7400	LOCK NUT	3		M10
8	14M7296	FLANGE NUT	1		M10
9	14M7298	FLANGE NUT	2		M8

MEMORANDA

2J8

REAR LANDING AND LADDER
HP8361 -UN-19JUL99



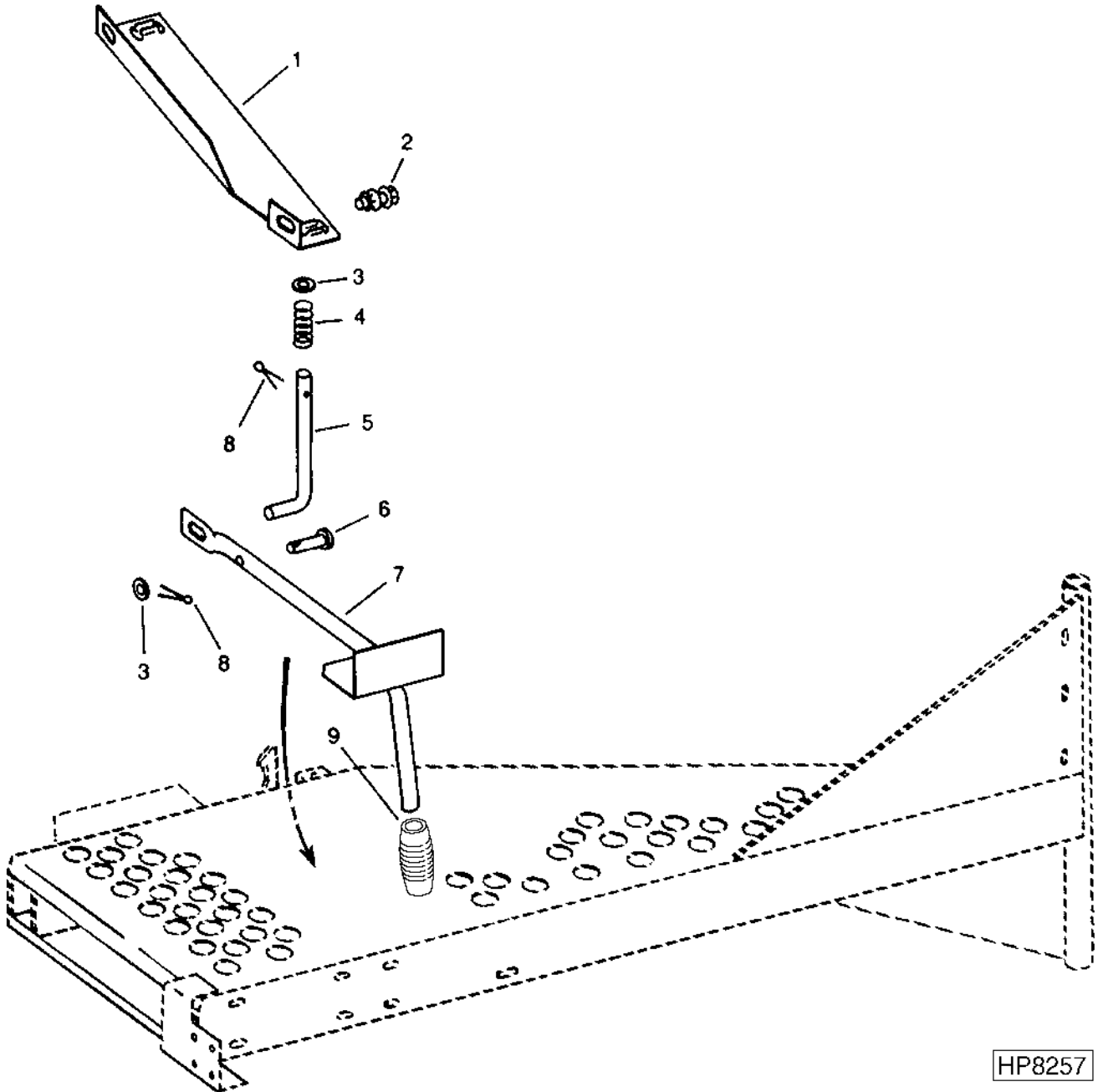
HP8361

REAR LANDING AND LADDER - CONTINUED

KEY	PART NO.	PART NAME	QTY	SERIAL NO.	0 H	REMARKS
					9	
					5	
					9 5	
					5 0	
					5 S	
					0 H	
1	Z39386	WASHER	1		X X	
2	14M7396	LOCK NUT	4		X X	M8
3	19M7775	SCREW	2		X X	M6 X 16
	14M7303	FLANGE NUT	2		X X	
4	H167134	ANGLE	2		X X	
5	H119411	PIN	2		X X	
6	T40867	BUSHING	2		X X	
7	14M7296	FLANGE NUT	7		X X	
8	19M7865	SCREW	4		X X	M8 X 16
	14M7298	FLANGE NUT	4		X X	M8
9	03M7190	BOLT	2		X X	M10 X 20
10	AH160432	LADDER	1		X X	REAR LOWER EXTENSION
11	AH140111	LADDER	1		X X	REAR
12	C3203E	GRIP	1		X X	
13	H120082	LATCH	1		X X	
14	19M7774	SCREW	2		X X	M6 X 12
	14M7303	FLANGE NUT	2		X X	M6
15	AH130193	CHANNEL	1		X X	
17	AH160152	LADDER	1		X X	LANDING ASSEMBLY
18	H142035	CATCH	1		X X	
19	H133152	BRACKET	1		X X	
20	03M7190	BOLT	2		X X	M10 X 20
	24M7178	WASHER	2		X X	
	14M7296	FLANGE NUT	2		X X	M10
21	H167133	BRACKET	2		X X	
22	03M7184	BOLT	4		X X	M8 X 20
..	AH160406	TAPE	8		X X	

2J10

REAR LADDER LANDING LATCH ARM
HP8257 -UN-24FEB99



HP8257

2J11

BODY AND SHIELDS

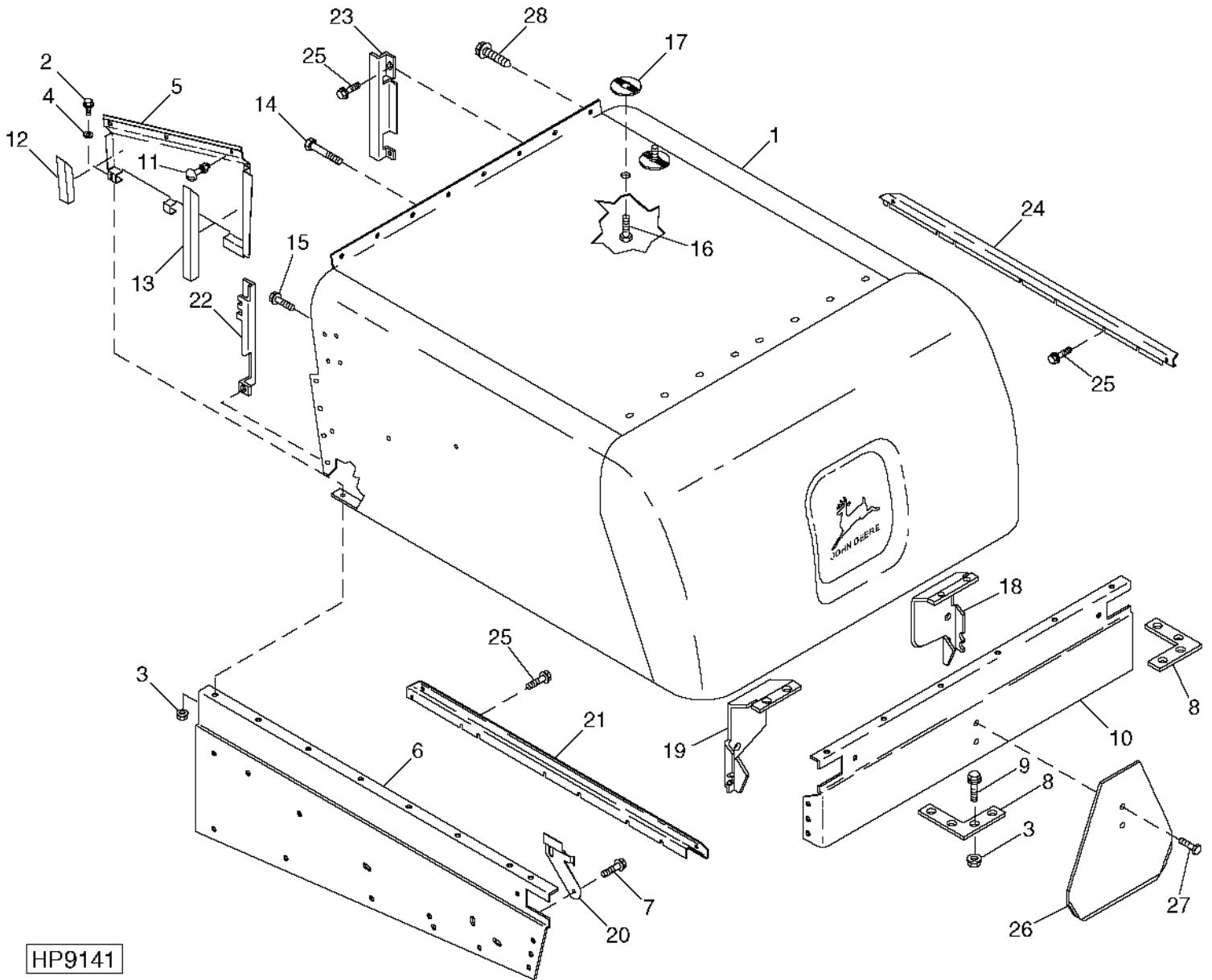
REAR LADDER LANDING LATCH ARM - CONTINUED

KEY	PART NO.	PART NAME	QTY	SERIAL NO.	9 5 9 5 5 0 5 S 0 H	REMARKS
1	H140881	CATCH	1		X X	
2	19M7784	SCREW	2		X X	M10 X 20
	14M7296	FLANGE NUT	2		X X	M10
3	24H1341	WASHER	2		X X	17/32" X 15/16" X 0.060"
4	Y3082BN	SPRING	1		X X	
5	H140872	PIN	1		X X	
6	45M7054	PIN	1		X X	10 X 50 MM
7	AH167563	ARM	1		X X	(SUB FOR AH163354)
8	11M7059	COTTER PIN	2		X X	3.200 X 20 MM
9	C3203E	GRIP	1		X X	

2J12

REAR HOOD

HP9141 -UN-05OCT99



HP9141

2J13

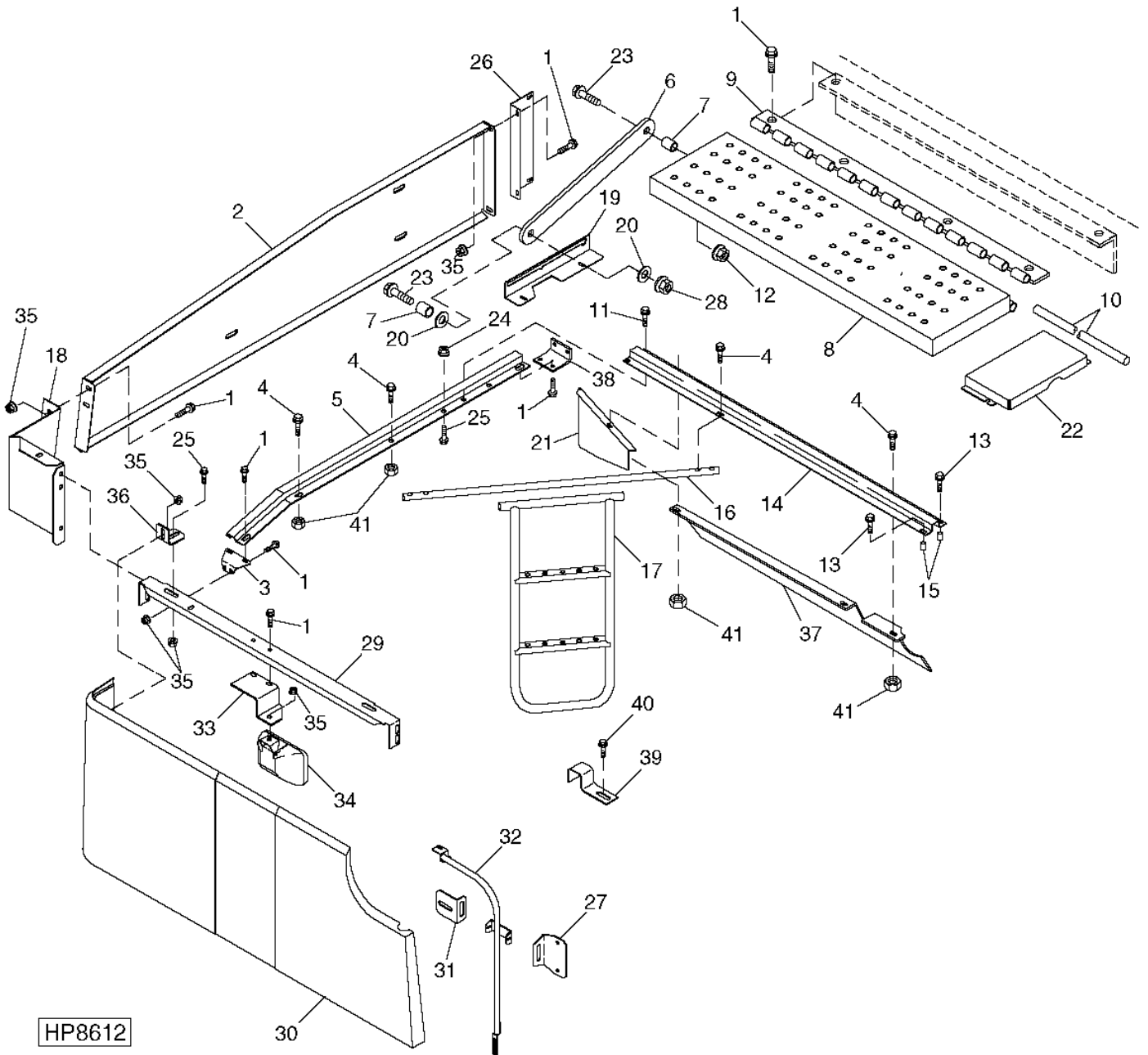
BODY AND SHIELDS

REAR HOOD - CONTINUED

KEY	PART NO.	PART NAME	QTY	SERIAL NO.	0 H	REMARKS
					9	
					5	
					9 5	
					5 0	
					5 S	
					0 H	
1	AH159862	HOOD	1		X X	
2	19M7867	SCREW	10		X X	M8 X 25
3	14M7298	FLANGE NUT	10		X X	M8
4	24M7207	WASHER	6		X X	8.400 X 24 X 2 MM
5	AH158263	PANEL	1		X X	L.H.
	AH158849	PANEL	1		X X	R.H.
6	AH135477	SHEET	1		X X	L.H.
	AH135476	SHEET	1		X X	R.H.
7	H149096	LABEL	3		X X	"PROJECTILE WARNING" ON R.H. REAR HOOD
8	H150749	REINFORCEMENT	1		X X	
9	19M7866	SCREW	2		X X	M8 X 20
10	AH135481	SHEET	1		X X	
11	21M7089	SCREW	6		X X	M8 X 20
	14M7298	FLANGE NUT	6		X X	M8
12	AH125793	WEATHERSTRIP	1		X X	
13	AH125533	WEATHERSTRIP	1		X X	
14	19M7865	SCREW	AR		X X	M8 X 16
15	37M7080	SCREW	6		X X	M10 X 30
16	03M7307	BOLT	2		X X	M10 X 25
17	H141123	NUT	2		X X	
18	H134171	SHIELD	1		X X	R.H., REAR LIGHT
19	H134172	SHIELD	1		X X	L.H., REAR LIGHT
20	H134831	RETAINER	1		X X	
21	H131017	SHIELD	1		X X	R.H., HARNESS
22	H143462	SHIELD	1		X X	
23	H137731	SHIELD	1		X X	R.H.
24	H144013	SHIELD	1		X X	L.H., HARNESS
25	19M7867	SCREW	AR		X X	M8 X 25
26	H134667	DEFLECTOR	1		X X	SMV SIGN
27	37M7131	SCREW	2		X X	M6 X 20
28	H171977	SCREW	6		X X	

2J14

ENGINE COMPARTMENT
HP8612 -UN-21JUL99



HP8612

2J15

BODY AND SHIELDS

ENGINE COMPARTMENT - CONTINUED

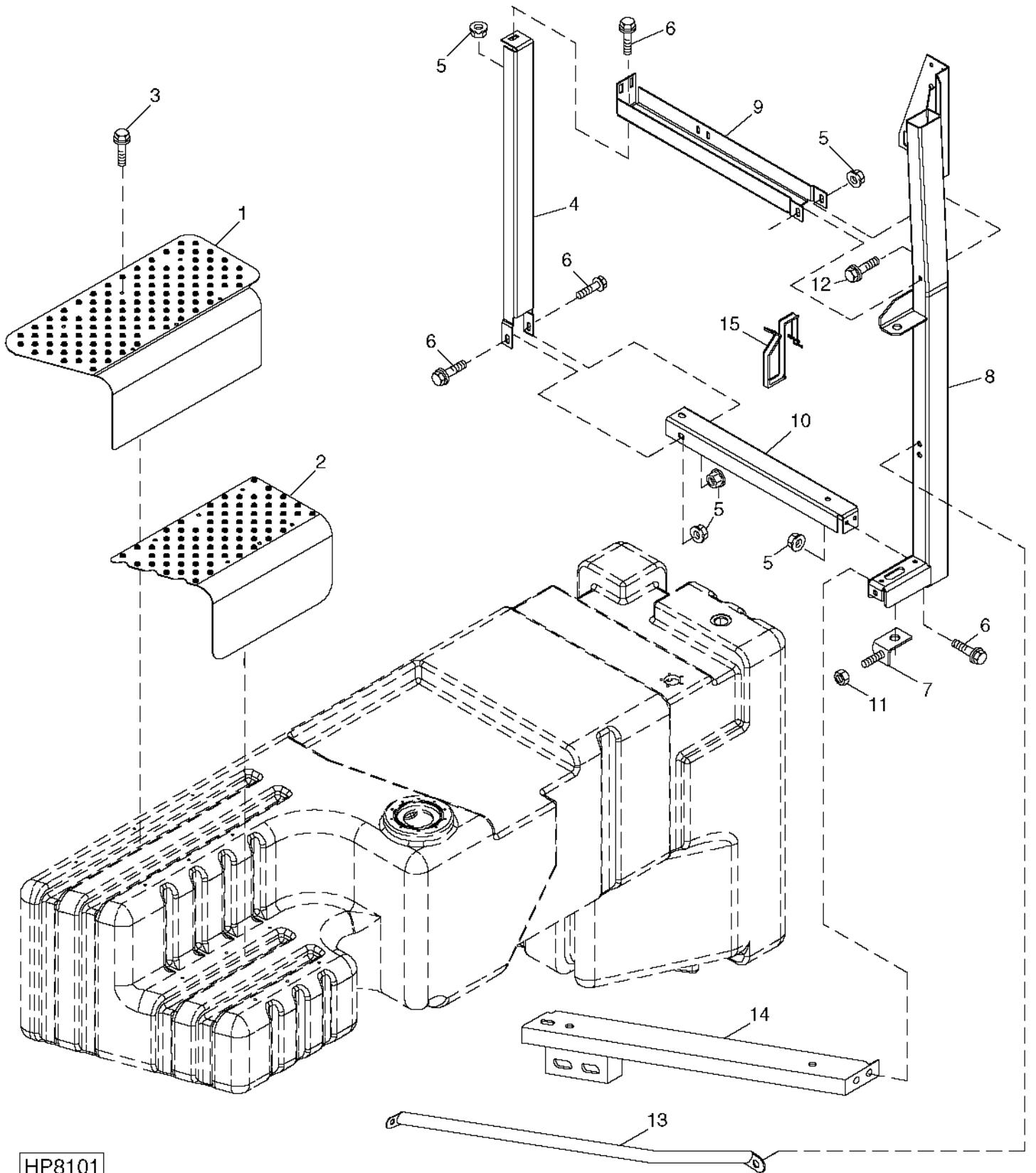
KEY	PART NO.	PART NAME	QTY	SERIAL NO.	0 H	REMARKS
					9	
					5	
					9	
					5	
					0	
					5	
					S	
					0	
					H	
1	19M7865	SCREW	36		X X	M8 X 16
	14M7298	FLANGE NUT	36		X X	M8
2	H167092	PANEL	1		X X	
3	H161524	ANGLE	1		X X	
4	19M8290	SCREW	4		X X	M6 X 35
5	AH159205	CHANNEL	1		X X	
6	H168984	STRAP	1		X X	
7	28H3381	SPACER	2		X X	0.493" X 0.675" X 5/8"
8	AH136455	DOOR	1		X X	
9	H134738	HINGE	1		X X	
10	H134930	PIN	1		X X	8 X 1385 MM (.3179" X 54.5276") MAKE FROM H99599, CUT TO 1385 MM LONG
11	03M7183	BOLT	1		X X	M8 X 16
	14M7298	FLANGE NUT	1		X X	M8
12	14M7396	LOCK NUT	1		X X	M8
13	37M7102	SCREW	2		X X	M8 X 40
14	AH160640	CHANNEL	1		X X	
15	H141836	BUSHING	2		X X	
16	H155112	TUBE	1		X X	LADDER PIVOT
17	AH155975	LADDER	1		X X	
18	H158443	BRACKET	1		X X	
19	H168985	PLATE	1		X X	
20	H158845	WASHER	2		X X	
21	H135610	DEFLECTOR	1		X X	
22	H167164	COVER	1		X X	
23	H140715	BOLT	2		X X	
24	14M7298	FLANGE NUT	2		X X	M8
25	19M7866	SCREW	4		X X	M8 X 20
26	H167091	ANGLE	1		X X	
27	H167006	ANGLE	1		X X	
28	14M7396	LOCK NUT	1		X X	M8
29	H172665	CHANNEL	1		X X	(SUB FOR H158423)
30	AH151783	PANEL	1		X X	REAR WALL
31	H172736	ANGLE	1		X X	
32	AH166969	HANDRAIL	1		X X	(SUB FOR AH151143)
33	H173644	BRACKET	1		X X	(SUB FOR H166834)
34	AH163668	LAMP	1		X X	(SUB AH168385)
	AH168385	LAMP	1		X X	
	AH166909	BULB	1		X X	
35	14M7298	FLANGE NUT	5		X X	M8
36	H172664	ANGLE	2		X X	(SUB FOR H169989)
37	H169292	DEFLECTOR	1		X X	
38	H164218	ANGLE	1		X X	
39	H167171	RETAINER	1		X X	
40	37M7089	SCREW	1		X X	M6 X 12
41	14M7397	LOCK NUT	4		X X	

2J16

BODY AND SHIELDS

FUEL TANK STEPS AND MOUNTING BRACKETS

HP8101 -UN-17MAR99



HP8101

2J17

BODY AND SHIELDS

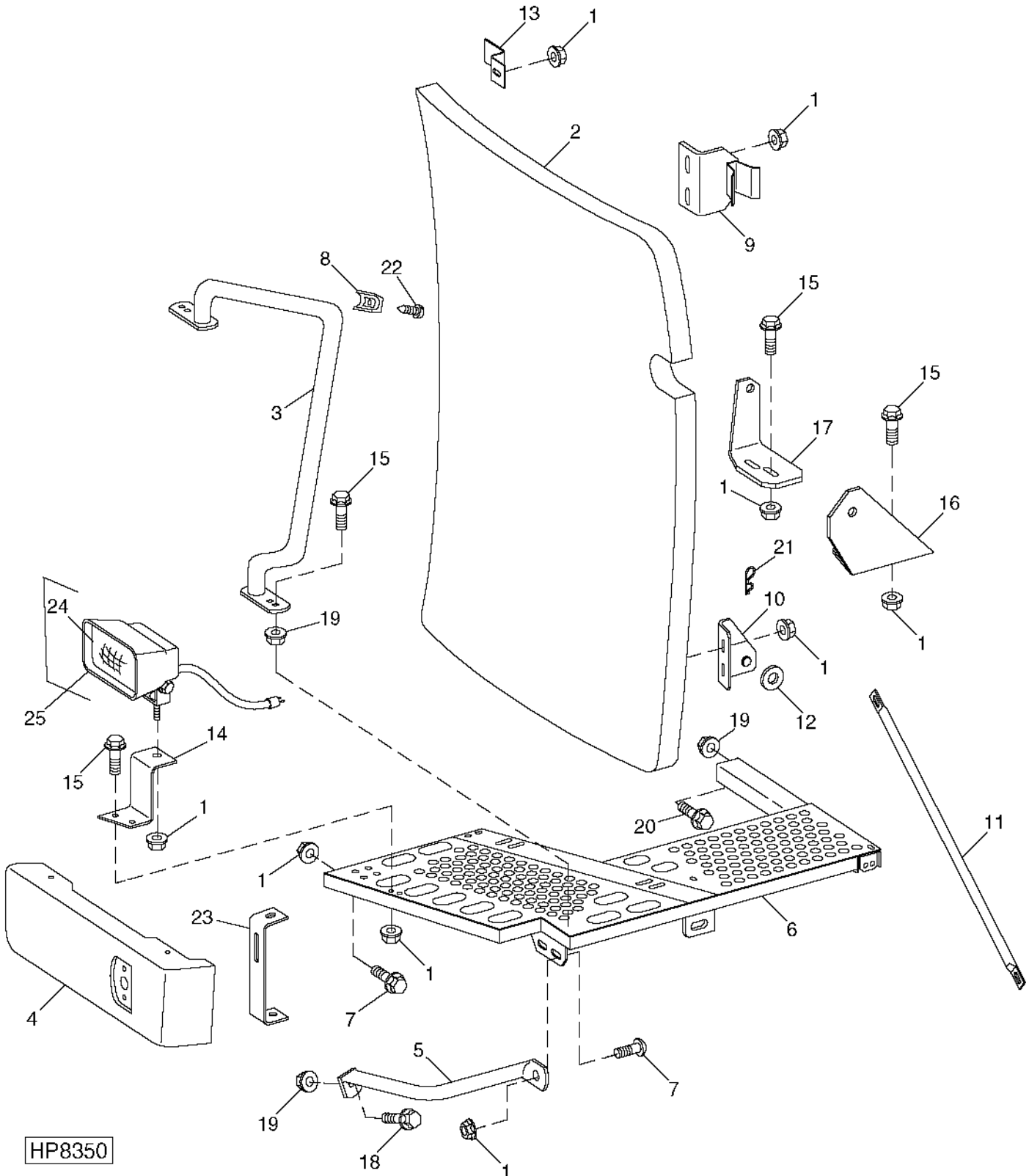
FUEL TANK STEPS AND MOUNTING BRACKETS - CONTINUED

KEY	PART NO.	PART NAME	QTY	SERIAL NO.	9 5 9 5 5 0 5 S 0 H	REMARKS
1	H165731	STEP	1		X X	
2	H165732	STEP	1		X X	
3	19M7774	SCREW	12		X X	M6 X 12
4	H134298	CHANNEL	1		X X	
5	14M7400	LOCK NUT	7		X X	M10
6	19M7785	SCREW	7		X X	M10 X 25
7	AH120216	ADJUSTER	1		X X	
8	AH155103	SUPPORT	1		X X	
9	H169794	CHANNEL	1		X X	
10	H169793	CHANNEL	1		X X	
11	A31867	LOCK NUT	1		X X	M12
12	19M7812	SCREW	1		X X	M10 X 100
13	H129839	BRACE	1		X X	
14	AH136147	CHANNEL	1		X X	
15	H64612	CLIP	4		X X	

2J18

ENGINE ACCESS PLATFORM AND REAR LAMP ASSEMBLY

HP8350 -UN-13MAY99



HP8350

2J19

BODY AND SHIELDS

ENGINE ACCESS PLATFORM AND REAR LAMP ASSEMBLY - CONTINUED

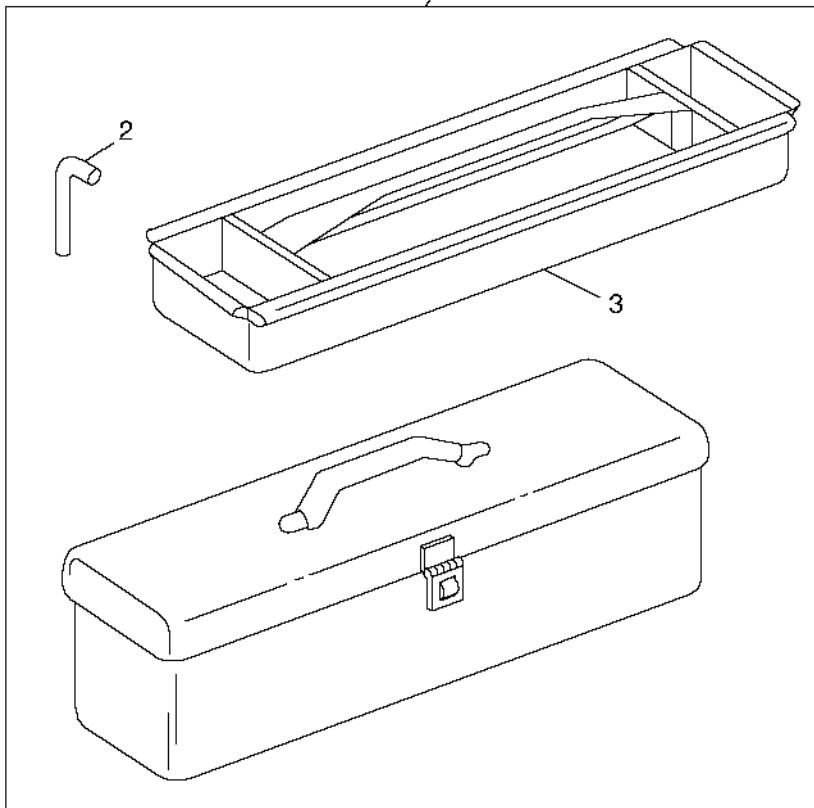
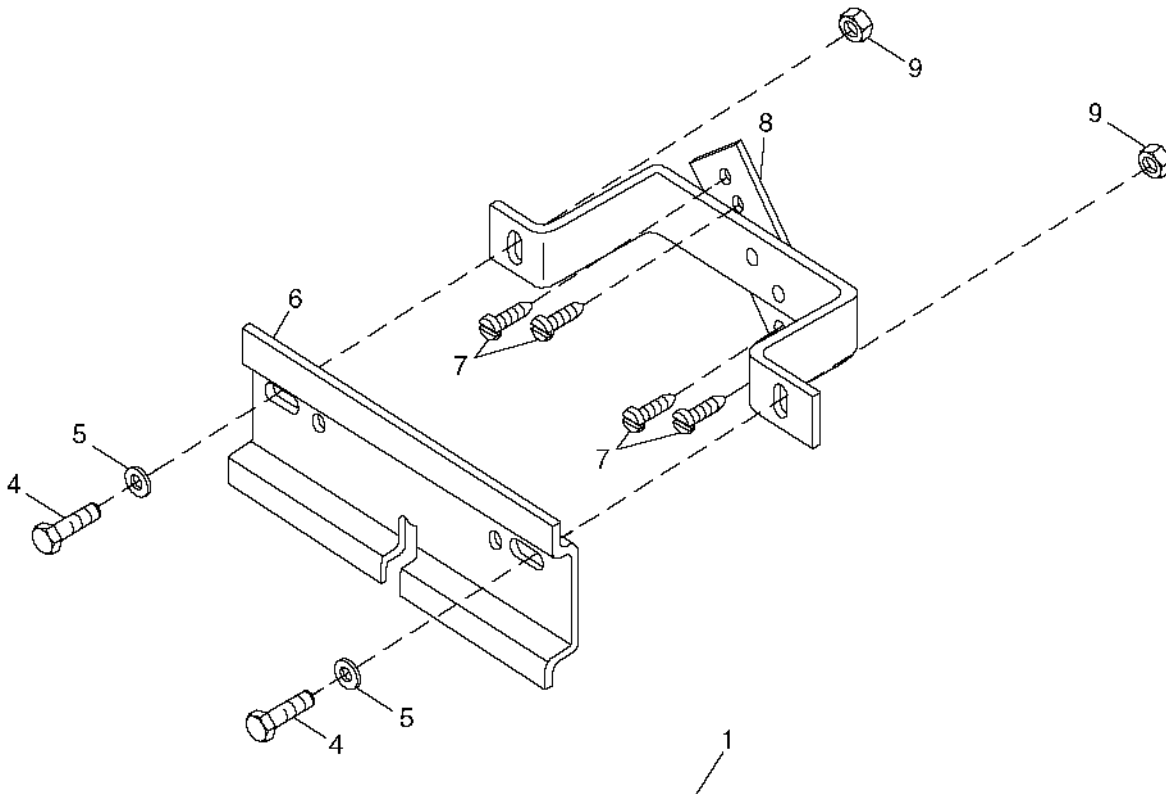
KEY	PART NO.	PART NAME	QTY	SERIAL NO.	0 H	REMARKS
					9	
					5	
					9 5	
					5 0	
					5 S	
					0 H	
1	14M7298	FLANGE NUT	11		X X	
2	AH160445	DOOR	1		X X	
3	AH157425	TUBE	1		X X	
4	AH151811	PANEL	1		X X	
5	H130432	BRACE	1		X X	
6	AH166836	PLATFORM	1		X X	FIXED
7	03M7185	BOLT	1		X X	
8	AH163347	BUMPER	1		X X	
9	AH166970	ANGLE	1		X X	(SUB FOR AH157245)
10	AH157105	PIVOT	2		X X	
11	H165282	TUBE	1		X X	
12	24M7180	WASHER	2		X X	
13	H167223	ANGLE	1		X X	
14	H169070	BRACKET	1		X X	
15	19M7866	SCREW	6		X X	
16	H163841	ANGLE	1		X X	
17	H163845	ANGLE	1		X X	
18	19M7785	SCREW	1		X X	
19	14M7296	FLANGE NUT	1		X X	
20	19M7844	SCREW	1		X X	
21	11M7012	COTTER PIN	1		X X	
22	37M7046	SCREW	1		X X	
23	H168374	STRAP	2		X X	
24	AH165877	BULB	1		X X	
25	AH163667	LAMP	1		X X	(SUB AH168403)
	AH168403	LAMP	1		X X	

2J20

BODY AND SHIELDS

TOOL BOX
HP8819

-UN-15JUL99



HP8819

2J21

BODY AND SHIELDS

TOOL BOX - CONTINUED

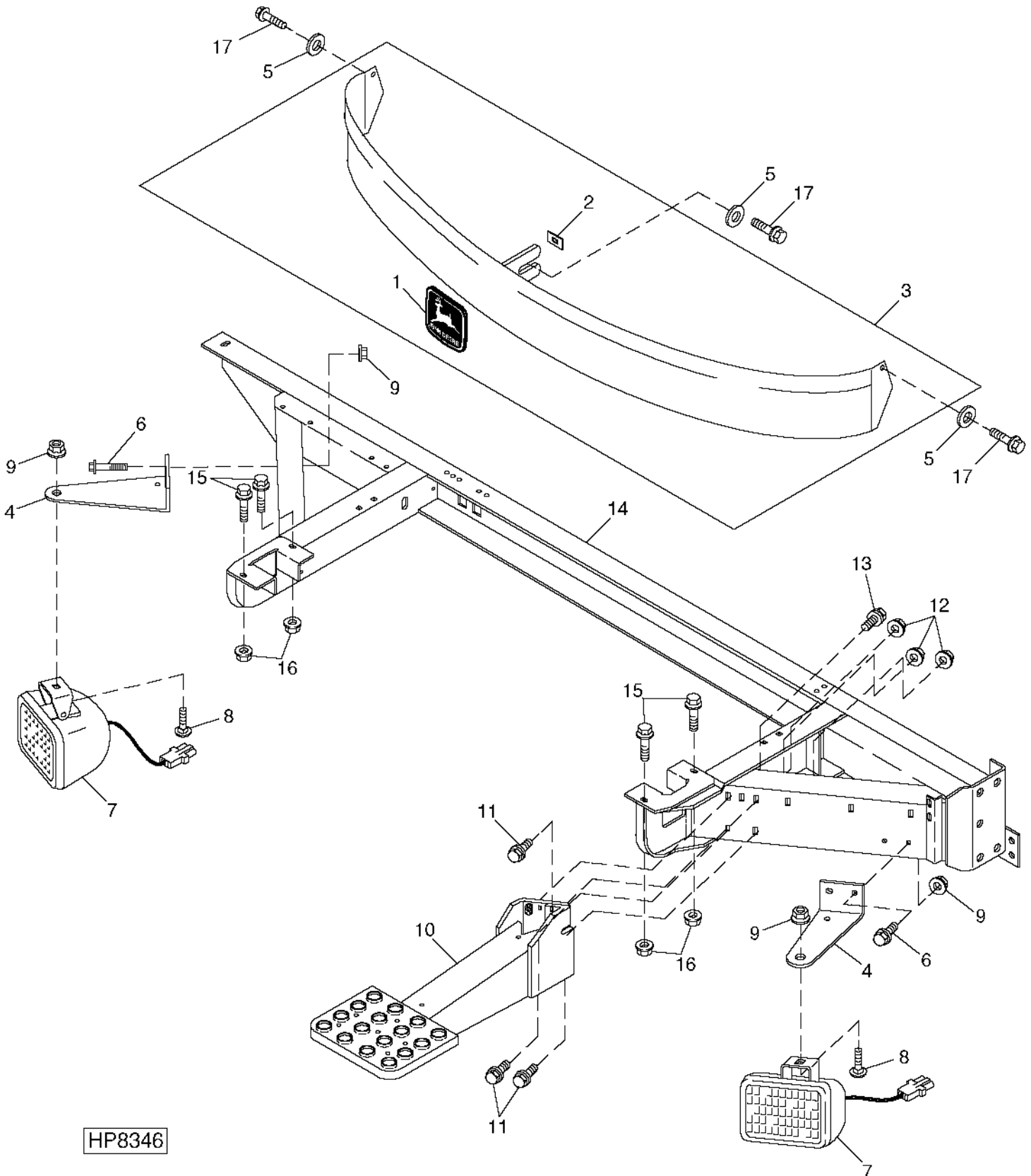
KEY	PART NO.	PART NAME	QTY	SERIAL NO.	9 5 9 5 5 0 5 S 0 H	REMARKS
1	AT22070	TOOLBOX	1		X X	
2	T23027	PIN	1		X X	
3	AT22073	HOLDER	1		X X	
4	19M7785	SCREW	2		X X	M10 X 25
5	24M7178	WASHER	2		X X	10.500 X 30 X 2.500 MM
6	T23033	BRACKET	1		X X	
7	37M7058	SCREW	4		X X	M8 X 20
8	AH145157	BRACKET	1		X X	
9	14M7296	FLANGE NUT	2		X X	M10

MEMORANDA

MEMORANDA

3B4

CAB SUPPORT
HP8346 -UN-09JUL99



HP8346

3B5

OPERATOR'S STATION

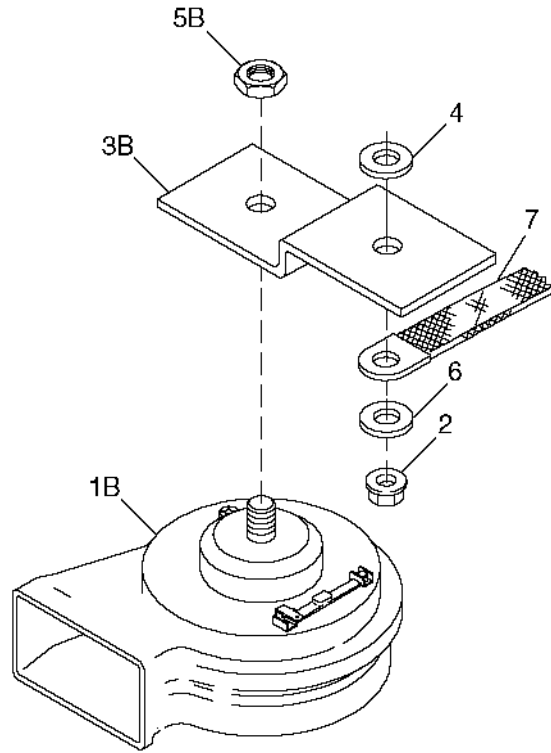
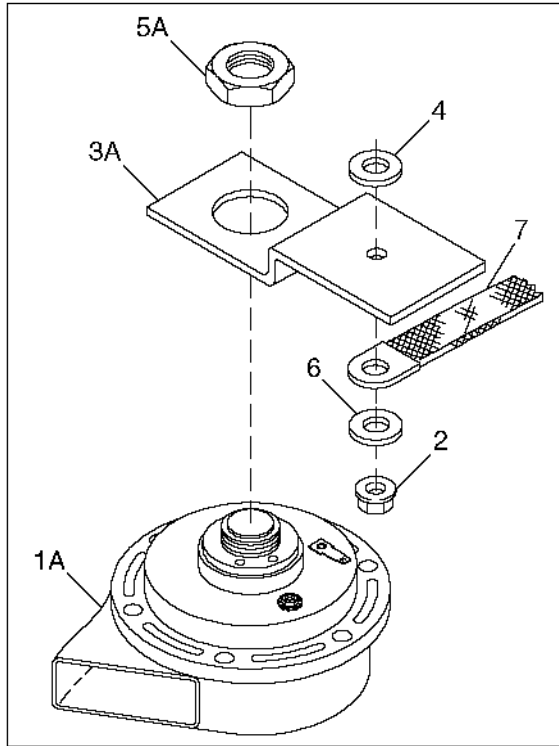
CAB SUPPORT - CONTINUED

KEY	PART NO.	PART NAME	QTY	SERIAL NO.	0 H	REMARKS
					9	
					5	
					9	
					5	
					0	
					5	
					S	
					0	
1	H149480	LABEL	1		X X	
2	H98111	NUT	8		X X	
3	AH154509	SHIELD	1		X X	
4	H172003	BRACKET	2		X X	
5	24M7207	WASHER	3		X X	8.400 X 24 X 2 MM
6	19M7865	SCREW	6		X X	M8 X 16
7	AH163667	LAMP	2		X X	STUBBLE LIGHT
	AH166909	BULB	1		X X	
8	03M7183	BOLT	2		X X	M8 X 16
9	14M7298	FLANGE NUT	8		X X	M8
10	AH130594	STEP	1		X X	
11	19M7785	SCREW	3		X X	M10 X 25
12	14M7296	FLANGE NUT	3		X X	M10
13	19M7784	SCREW	1		X X	M10 X 20
14	AH149583	SUPPORT	1		X X	
15	19M7789	SCREW	4		X X	M12 X 30
16	14M7299	FLANGE NUT	4		X X	M12
17	37M7058	SCREW	3		X X	M8 X 20

3B6

OPERATOR'S STATION

HORN ASSEMBLY
HP9236 -UN-11NOV99



HP9236

9
5
9 5
5 0
5 S
0 H

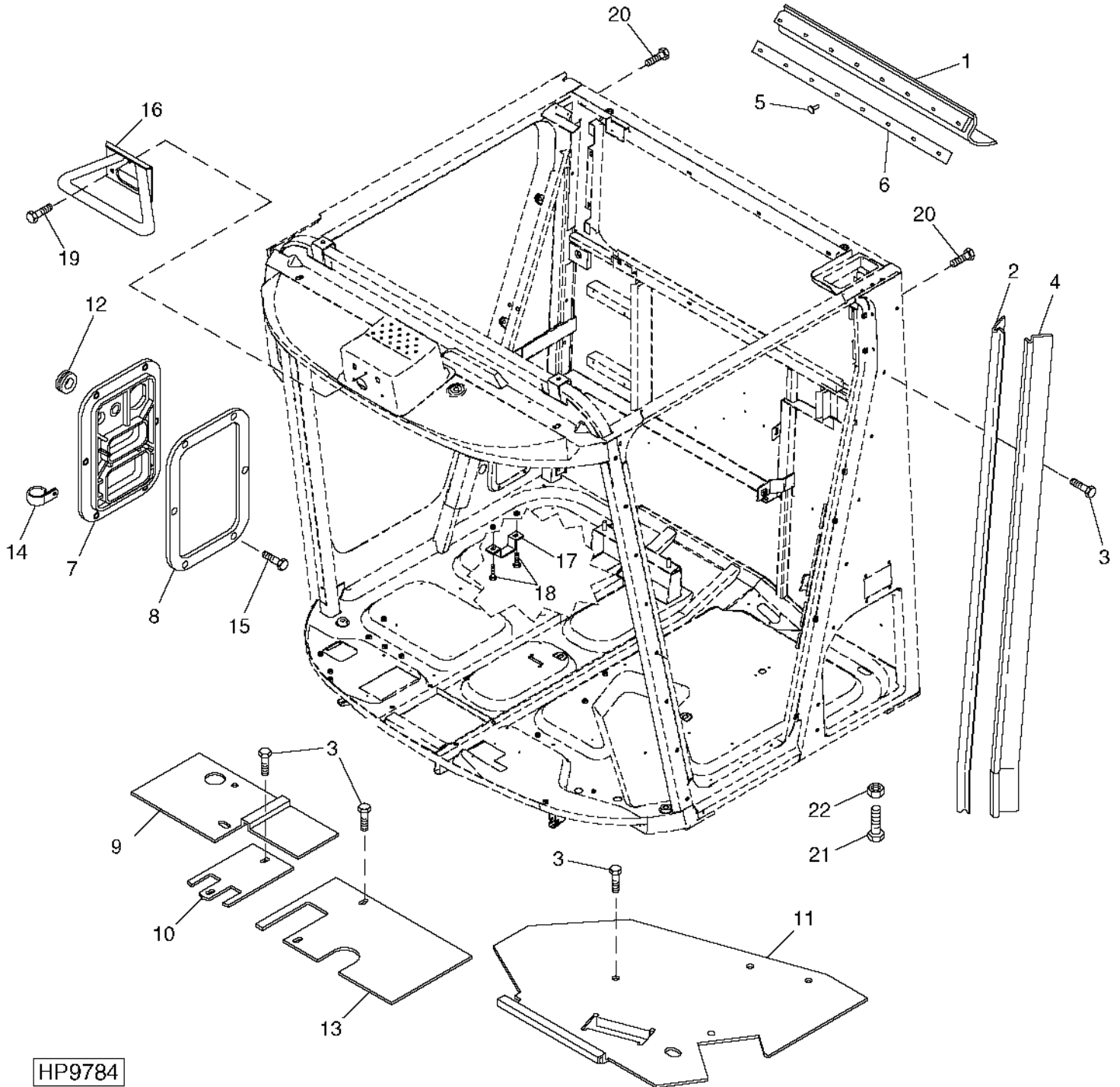
KEY	PART NO.	PART NAME	QTY	SERIAL NO.	REMARKS
1A	AT39043	HIGH NOTE HORN	1	X X	(SUB AH166260, H160476 AND 14M7303)
1B	AH166260	HORN	1	X X	(USE WITH H160476 AND 14M7303)
2	14M7303	FLANGE NUT	1	X X	M6
3A	H125930	BRACKET	1	X X	
3B	H160476	BRACKET	1	X X	(USE WITH AH166260 AND 14M7303)
4	PT2314	WASHER	1	X X	
5A	R11278	NUT	1	X X	
5B	14M7303	FLANGE NUT	1	X X	M6, (USE WITH AH166260 AND H160476)
6	24M7139	WASHER	1	X X	6.400 X 18 X 1.600 MM
7	AH165023	JUMPER	1	X X	CAB

MEMORANDA

3B7

OPERATOR'S STATION

CAB REAR, SIDE AND FLOOR PANELS
HP9784 -UN-06JUN00



HP9784

3B8

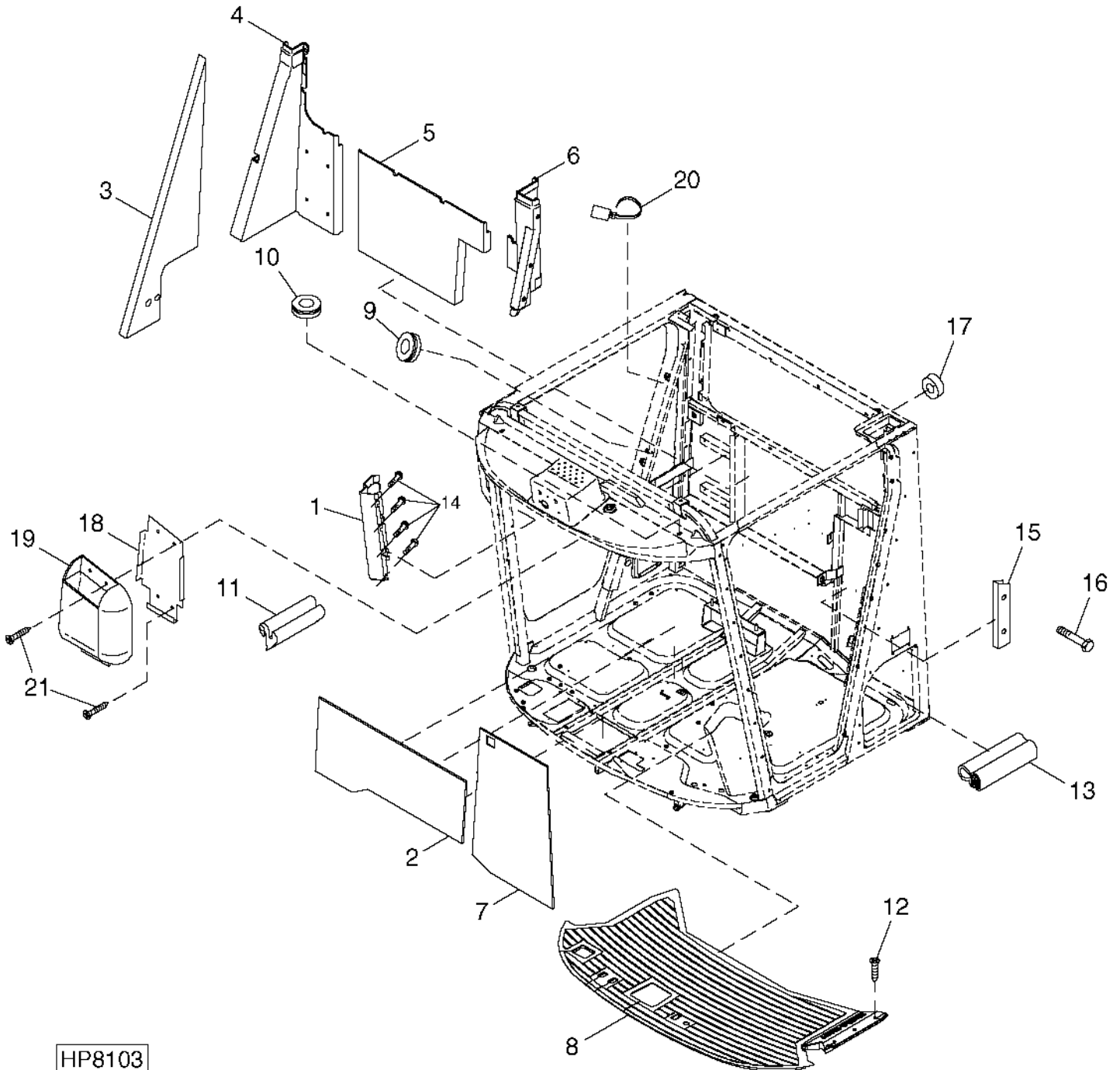
OPERATOR'S STATION

CAB REAR, SIDE AND FLOOR PANELS - CONTINUED

KEY	PART NO.	PART NAME	QTY	SERIAL NO.	0 H	REMARKS
					9	
					5	
					9 5	
					5 0	
					5 S	
					0 H	
1	H135614	SEAL	2		X X	
2	H133391	BRACKET	1		X X	
3	37M7089	SCREW	14		X X	M6 X 12
4	AH141774	SEAL	1		X X	
5	H85233	RIVET	16		X X	
6	H135615	RETAINER	2		X X	
7	H169194	PLATE	1		X X	
8	H169613	SEAL	1		X X	
9	H133665	SHEET	1		X X	
10	H124260	PLATE	1		X X	
11	H133666	SHEET	1		X X	
12	H131300	GROMMET	1		X X	
13	H141292	PLATE	1		X X	
14	AH90990	CLIP	1		X X	
15	37M7131	SCREW	6		X X	M6 X 20
16	AH162746	HANDLE	1		X X	
17	H131574	RETAINER	1		X X	
18	19M7865	SCREW	2		X X	
19	H162748	SCREW	3		X X	
20	19M7268	CAP SCREW	2		X X	M12 X 25
21	19M2972	CAP SCREW	1		X X	M8 X 45
22	14M7259	NUT	1		X X	M16

3B9

CAB INTERIOR PANELS, SEALS AND FLOOR MAT
HP8103 -UN-08JUL99



HP8103

3B10

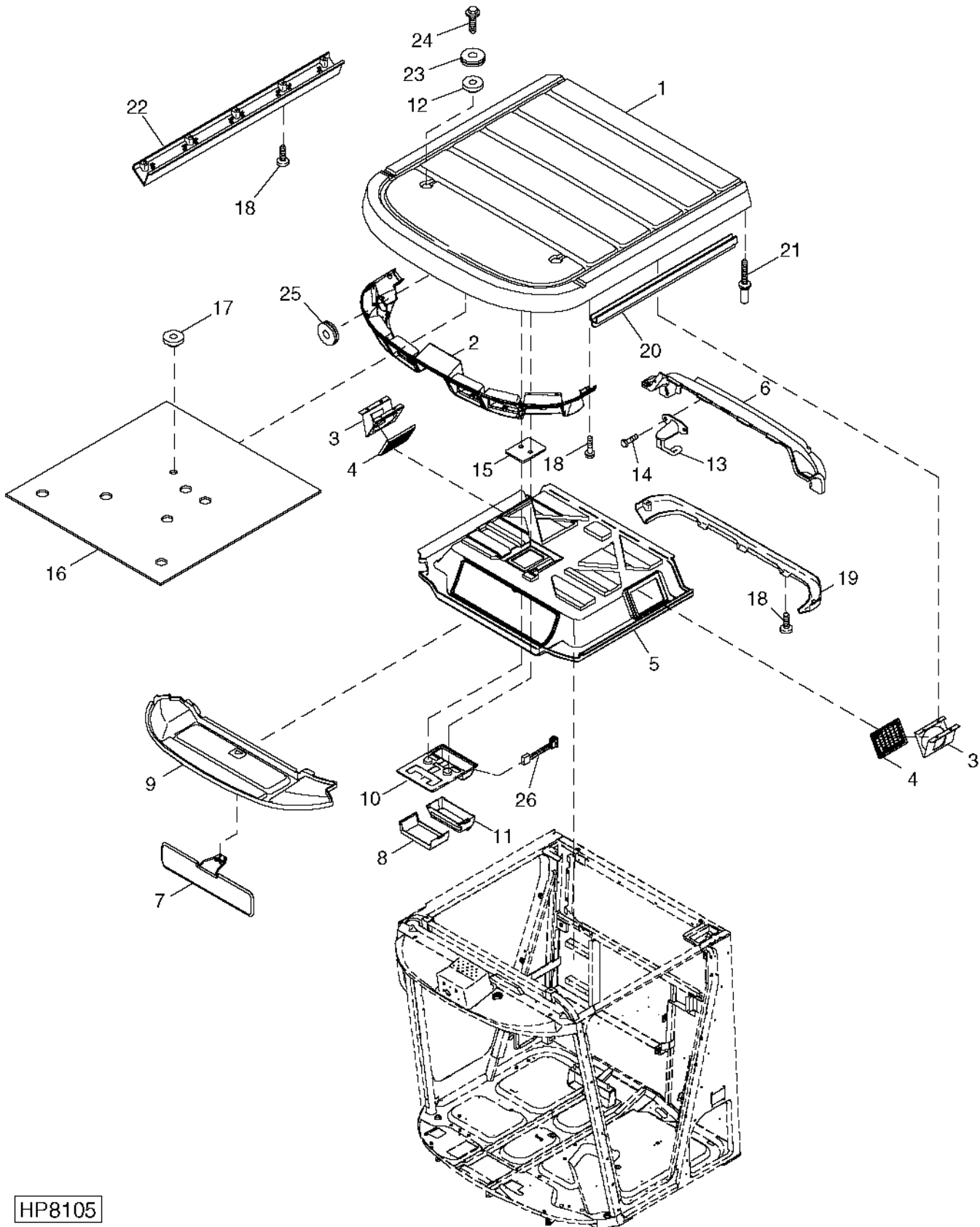
OPERATOR'S STATION

CAB INTERIOR TRIM PANELS - CONTINUED

KEY	PART NO.	PART NAME	QTY	SERIAL NO.	0 H	REMARKS
					9	
					5	
					9 5	
					5 0	
					5 S	
					0 H	
1	AH155929	BRACKET	1		X X	
2	AH159716	BARRIER	1		X X	R.H.
3	H125511	FOAM PAD	1		X X	R.H.
	AH127674	BARRIER	1		X X	L.H.
4	AH156943	PANEL	1		X X	
5	AH146854	PANEL	1		X X	
6	AH120891	PANEL	1		X X	
7	AH159715	BARRIER	1		X X	L.H.
8	AH165073	MAT	1		X X	
9	R50456	GROMMET	1		X X	SMALL
10	H36221	GROMMET	1		X X	LARGE
11	AH106010	WEATHERSTRIP	1		X X	R.H. SIDE WINDOW
12	37M7160	SCREW	3		X X	
13	AH80335	WEATHERSTRIP	1		X X	
14	37M7089	SCREW	4		X X	
15	H124210	COVER	2		X X	
16	H132451	CAP SCREW	6		X X	M6 X 50
17	H987R	GROMMET	1		X X	
18	H165215	PANEL	1		X X	
19	H161126	CONTAINER	1		X X	
20	H138297	TIE BAND	1		X X	EMERGENCY EXIT HANDLE
21	H165249	SCREW	4		X X	M6 X 20

3B11

INTERIOR CAB ROOF
HP8105 -UN-08JUL99



HP8105

3B12

OPERATOR'S STATION

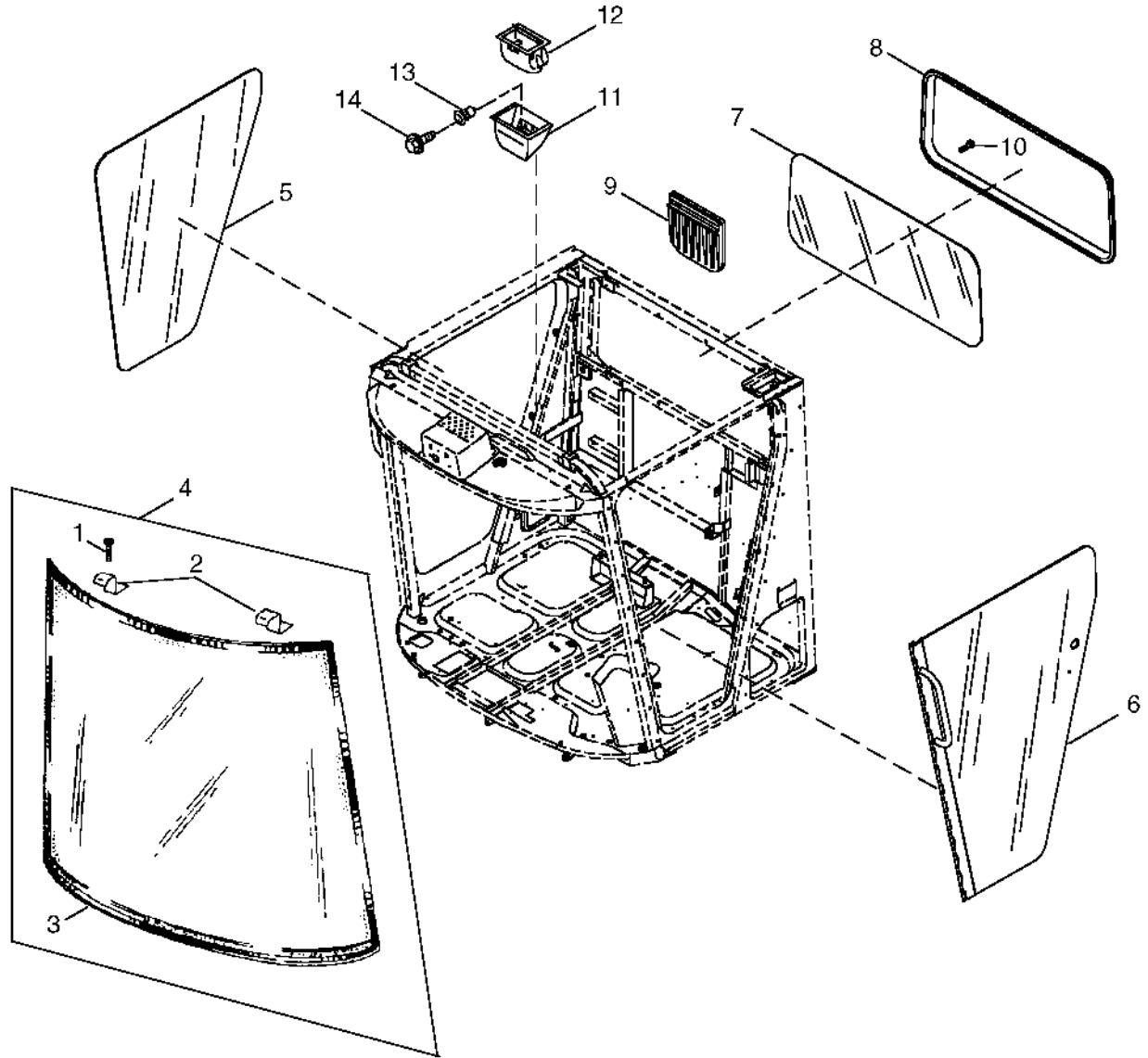
INTERIOR CAB ROOF

KEY	PART NO.	PART NAME	QTY	SERIAL NO.	0 H	REMARKS
					9	
					5	
					9 5	
					5 0	
					5 S	
					0 H	
1	AH153796	ROOF	1		X X	
2	H165400	HOUSING	1		X X	
3	H144472	SUPPORT	2		X X	
4	H153352	GRILLE	2		X X	SPEAKER
	H145264	ISOLATOR	2		X X	FOAM PAD, SPEAKER GRILLE
5	AH159236	HEADLINER	1		X X	
6	AH146852	HEADLINER	1		X X	
7	AH151123	SUN VISOR	1		X X	
8	H131982	LENS	1		X X	
9	AH159238	HEADLINER	1		X X	
10	H160729	BASE	1		X X	
	57M7173	BULB	2		X X	DOMELIGHT
11	AH154218	COVER	1		X X	
12	H123991	SEALING WASHER	2		X X	
13	L113023	HOOK	1		X X	
14	37M7074	SCREW	2		X X	
15	H169512	SHEET	1		X X	
16	AH160592	PLANE	1		X X	
17	24M7178	WASHER	1		X X	10.500 X 30 X 2.500 MM
18	H123995	SCREW	23		X X	
19	H143460	COVER	1		X X	
20	AH120541	SEAL	1		X X	
21	H123740	STUD	4		X X	
22	H130301	COVER	2		X X	
23	24M7051	WASHER	2		X X	21 X 37 X 3 MM
24	19M7789	SCREW	2		X X	M12 X 30
25	H123796	GROMMET	1		X X	
26	AH153910	SWITCH	1		X X	
..	AH160591	CABLE	1		X X	COAX, WITH ANTENNA MOUNT

3B13

OPERATOR'S STATION

CAB GLASS AND DOOR
HP8102 -UN-14MAY99



HP8102

3B14

OPERATOR'S STATION

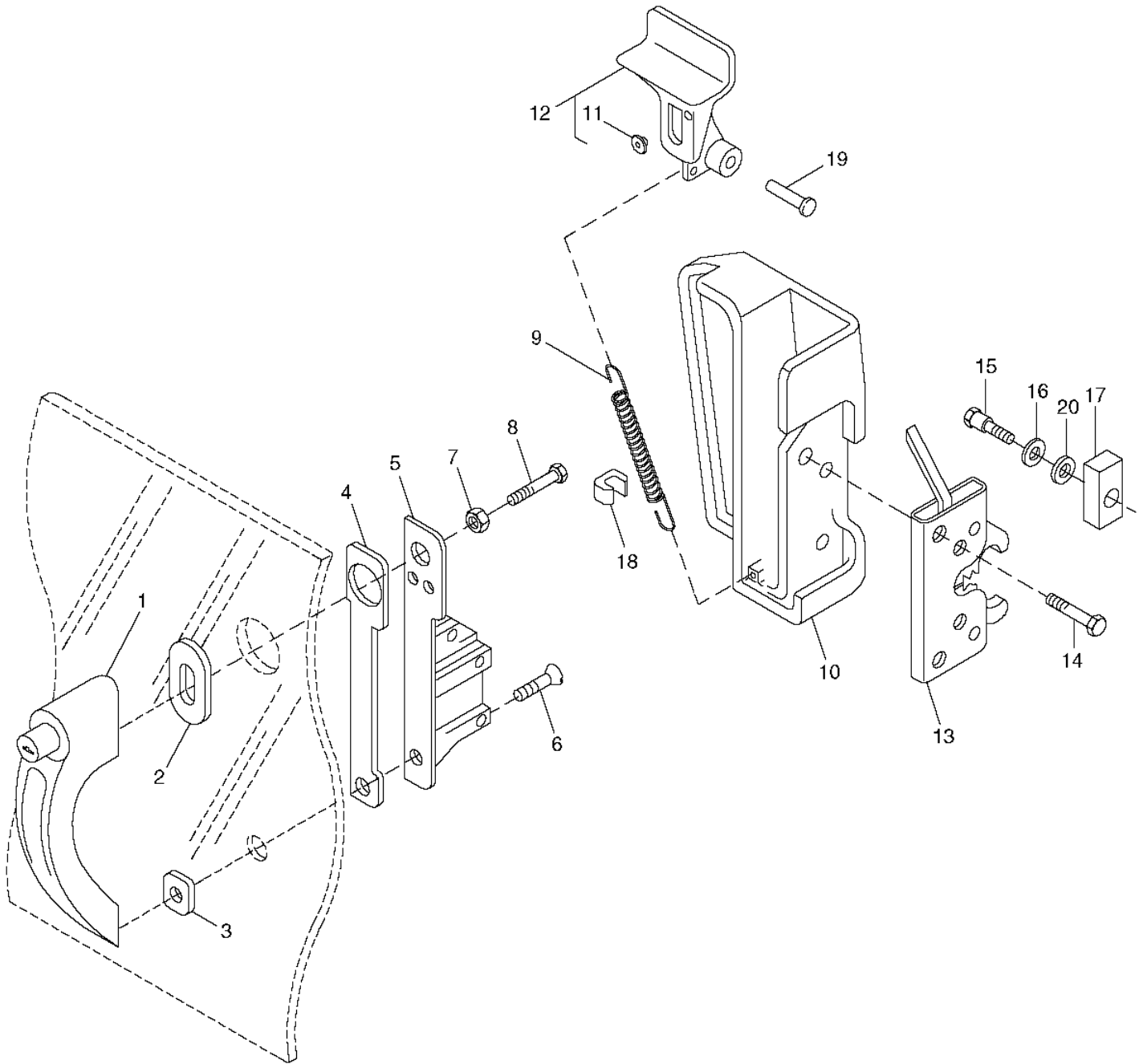
CAB GLASS AND DOOR - CONTINUED

KEY	PART NO.	PART NAME	QTY	SERIAL NO.	9 5 9 5 5 0 5 S 0 H	REMARKS
1	19M7866	SCREW	2		X X	M8 X 20
2	AH132819	BRACKET	2		X X	
3	WINDSHIELD	1		X X	
4	AH166648	WINDSHIELD	1		X X	
5	H123794	WINDOWPANE	1		X X	
6	AH154280	DOOR	1		X X	
7	H125769	WINDOWPANE	1		X X	
8	H153394	BEZEL	1		X X	
9	H169403	PAD	1		X X	
10	H165689	SCREW	12		X X	
11	H165490	HOUSING	1		X X	
12	AH104259	ASHTRAY	1		X X	
13	H169634	NUT	2		X X	
14	37M7160	SCREW	2		X X	

3B15

OPERATOR'S STATION

CAB DOOR LATCH
HP8513 -UN-23APR99



HP8513

3B16

OPERATOR'S STATION

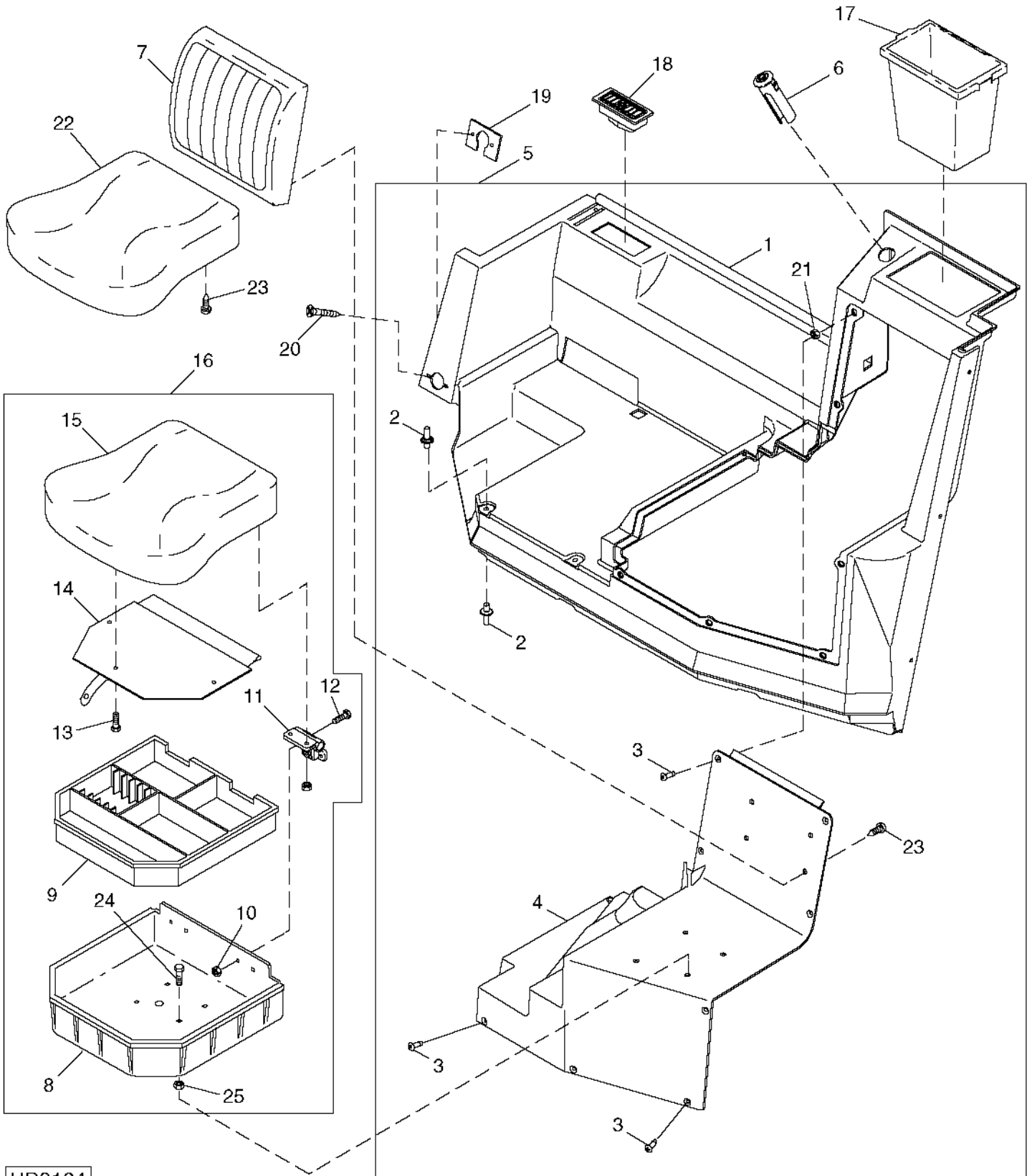
CAB DOOR LATCH - CONTINUED

KEY	PART NO.	PART NAME	QTY	SERIAL NO.	0 H	REMARKS
					9	
					5	
					9 5	
					5 0	
					5 S	
					0 H	
1	RE35161	HANDLE	1		X X	
2	H126081	BEZEL	1		X X	
3	H126082	BEZEL	1		X X	
4	H126083	ISOLATOR	1		X X	
5	H133414	SUPPORT	1		X X	
6	21M7334	SCREW	3		X X	M6 X 25
7	14H786	NUT	1		X X	1/4"
8	19H1898	CAP SCREW	1		X X	1/4" X 1-1/2"
9	H134671	EXTENSION SPRING	1		X X	
10	H150047	HOUSING	1		X X	
11	H145893	BUMPER	1		X X	
12	AH140838	HANDLE	1		X X	
13	AH128585	LATCH	1		X X	
14	19M8326	CAP SCREW	3		X X	M6 X 35
15	H136589	BOLT	1		X X	7/16" X 1.567"
16	24H1219	WASHER	AR		X X	7/16" X 1" X 0.083"
17	H133219	ADJUSTING STRAP	1		X X	
18	H107566	ISOLATOR	1		X X	
19	H136056	PIN	1		X X	0.236" X 1.457"
20	H136590	DISK SPRING	2		X X	0.415" X 0.945" X 0.118"
..	TY9370	ADHESIVE	1		X X	6 OZ. MEDIUM STRENGTH

3B17

OPERATOR'S STATION

SEAT CONSOLE
HP8104 -UN-09JUL99



HP8104

3B18

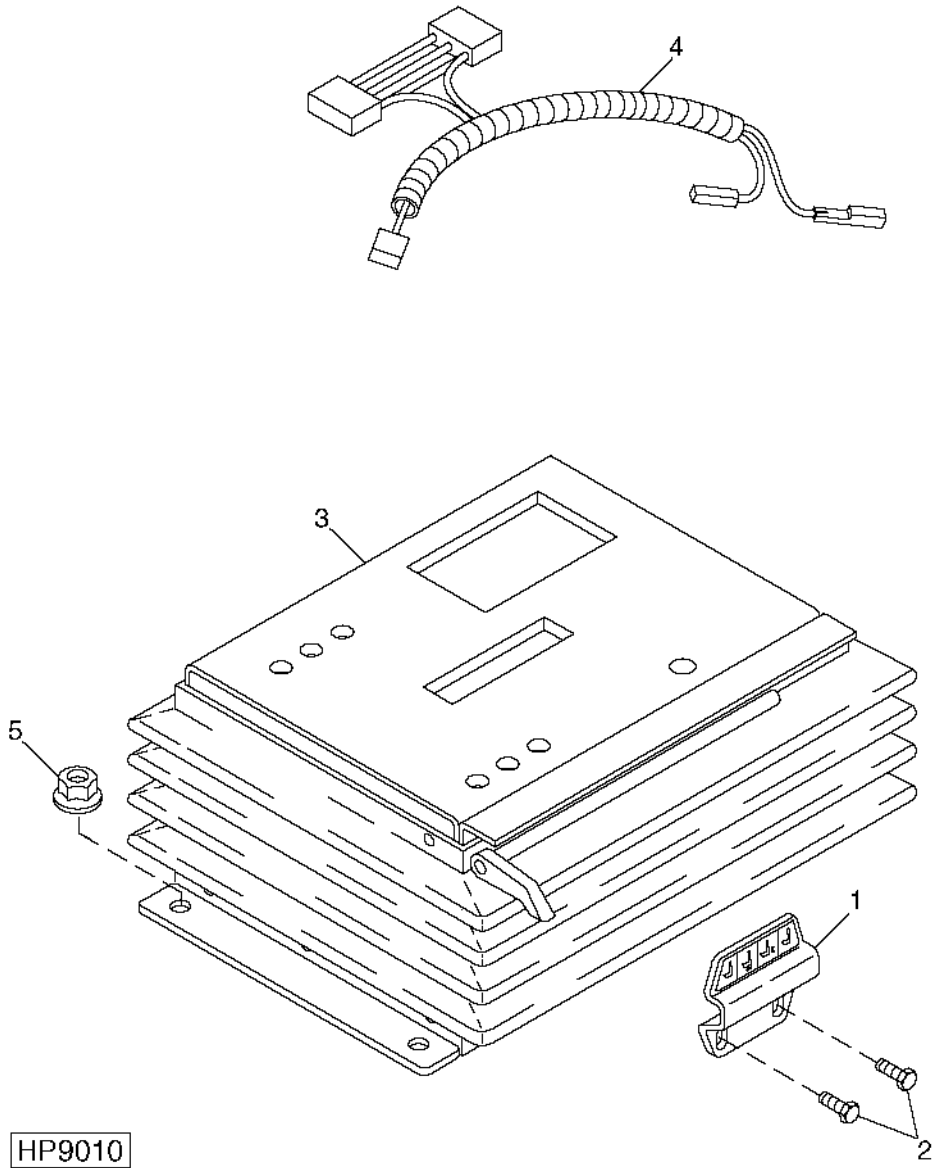
OPERATOR'S STATION

SEAT CONSOLE - CONTINUED

KEY	PART NO.	PART NAME	QTY	SERIAL NO.	0 H	REMARKS
					9	
					5	
					9 5	
					5 0	
					5 S	
					0 H	
1	CONSOLE	1		X X	
2	H168781	STUD	6		X X	
3	H165691	SCREW	8		X X	M6 X 20
4	H167912	SPINDLE	1		X X	
5	AH161348	CONSOLE	1		X X	
6	H161023	FITTING	1		X X	
7	AH147173	SEAT	1		X X	
8	H169083	PAN	1		X X	
9	H169082	TRAY	1		X X	
10	14M7303	FLANGE NUT	8		X X	M6
11	AH162559	HINGE	2		X X	
12	03M7221	BOLT	4		X X	M6 X 16
13	37M7214	SCREW	3		X X	4.8MM DIA. X 9.5MM
14	AH165634	BINDER	1		X X	
15	AH161755	SEAT	1		X X	
16	AH155276	SEAT	1		X X	W/FIELD OFFICE
17	H168433	CONTAINER	1		X X	
18	AH134724	LOUVER	1		X X	
19	H167337	BRACKET	1		X X	
20	37M7155	SCREW	2		X X	4.8 X 13 MM
21	H169634	NUT	8		X X	
22	AH161754	SEAT	1		X X	
23	19M8331	CAP SCREW	8		X X	M8 X 20
24	03M7184	BOLT	4		X X	M8 X 20
25	14M7298	FLANGE NUT	4		X X	M8

3B19

AIR SEAT SUSPENSION
HP9010 -UN-03SEP99



3B20

OPERATOR'S STATION

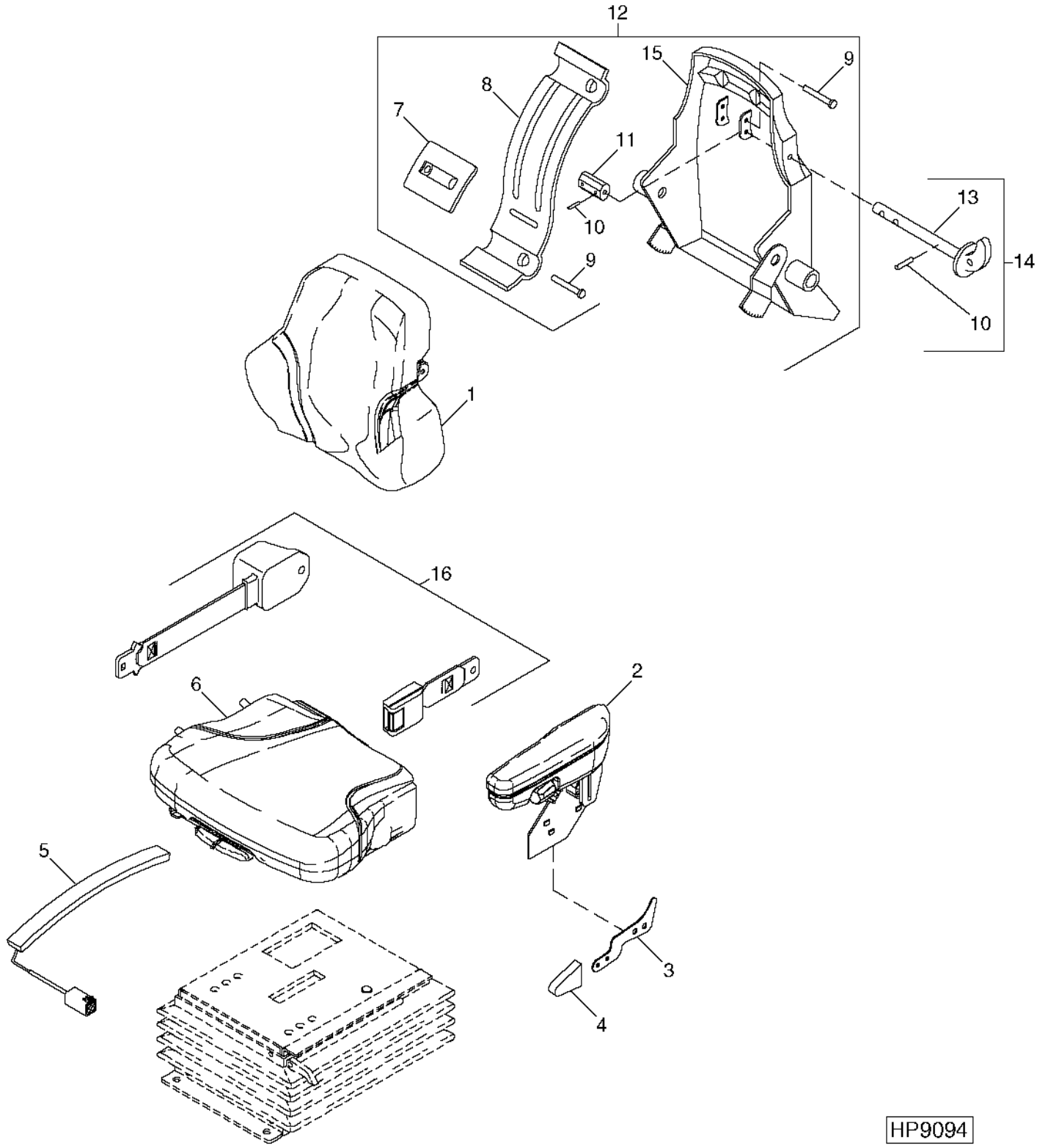
AIR SEAT SUSPENSION - CONTINUED

KEY	PART NO.	PART NAME	QTY	SERIAL NO.	9 5 9 5 5 0 5 S 0 H	REMARKS
1	AH144778	PANEL	1		X X	
2	37M7089	SCREW	2		X X	M6 X 12
3	AH162503	SEAT SUSPENSION	1		X X	
4	AH146032	WIRING HARNESS	1		X X	ADAPTER
5	H137859	FLANGE NUT	4			

3B21

OPERATOR'S STATION

OPERATOR'S SEAT AND BACKREST
HP9094 -UN-21SEP99



HP9094

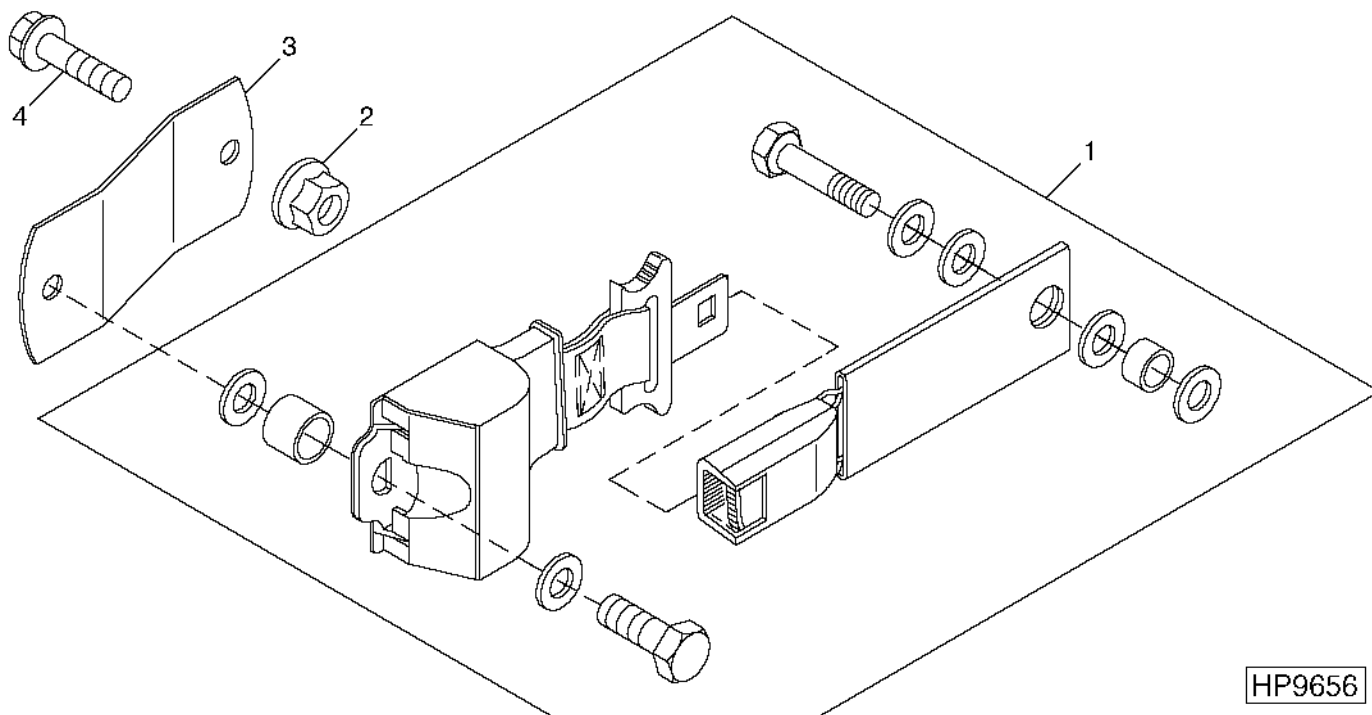
OPERATOR'S SEAT AND BACKREST - CONTINUED

KEY	PART NO.	PART NAME	QTY	SERIAL NO.	9 5 9 5 5 0 5 S 0 H	REMARKS
1	AT209015	CUSHION	1		X X	BACK
2	AH164889	ARMREST	1		X X	L.H.
3	AT209225	KIT	1		X X	RECLINER
4	AT209025	KIT	1		X X	GRIP
	37H121	SCREW	2		X X	
5	RE43526	SWITCH	1		X X	
6	AH161679	CUSHION	1		X X	SEAT
7	ISOLATOR	1		X X	
8	SUPPORT	1		X X	
9	PIN	2		X X	
10	34H387	SPRING PIN	1		X X	3/16" X 3/4"
11	CAM	1		X X	
12	AT209026	KIT	1		X X	(LUMBAR)
13	KNOB	1		X X	AND SHAFT
14	AT209024	KIT	1		X X	(LUMBAR KNOB)
15	SEAT BACK	1		X X	
16	RE151331	SEAT BELT	1		X X	

3B23

OPERATOR'S STATION

INSTRUCTORS SEAT SEATBELT
HP9656 -UN-30MAR00



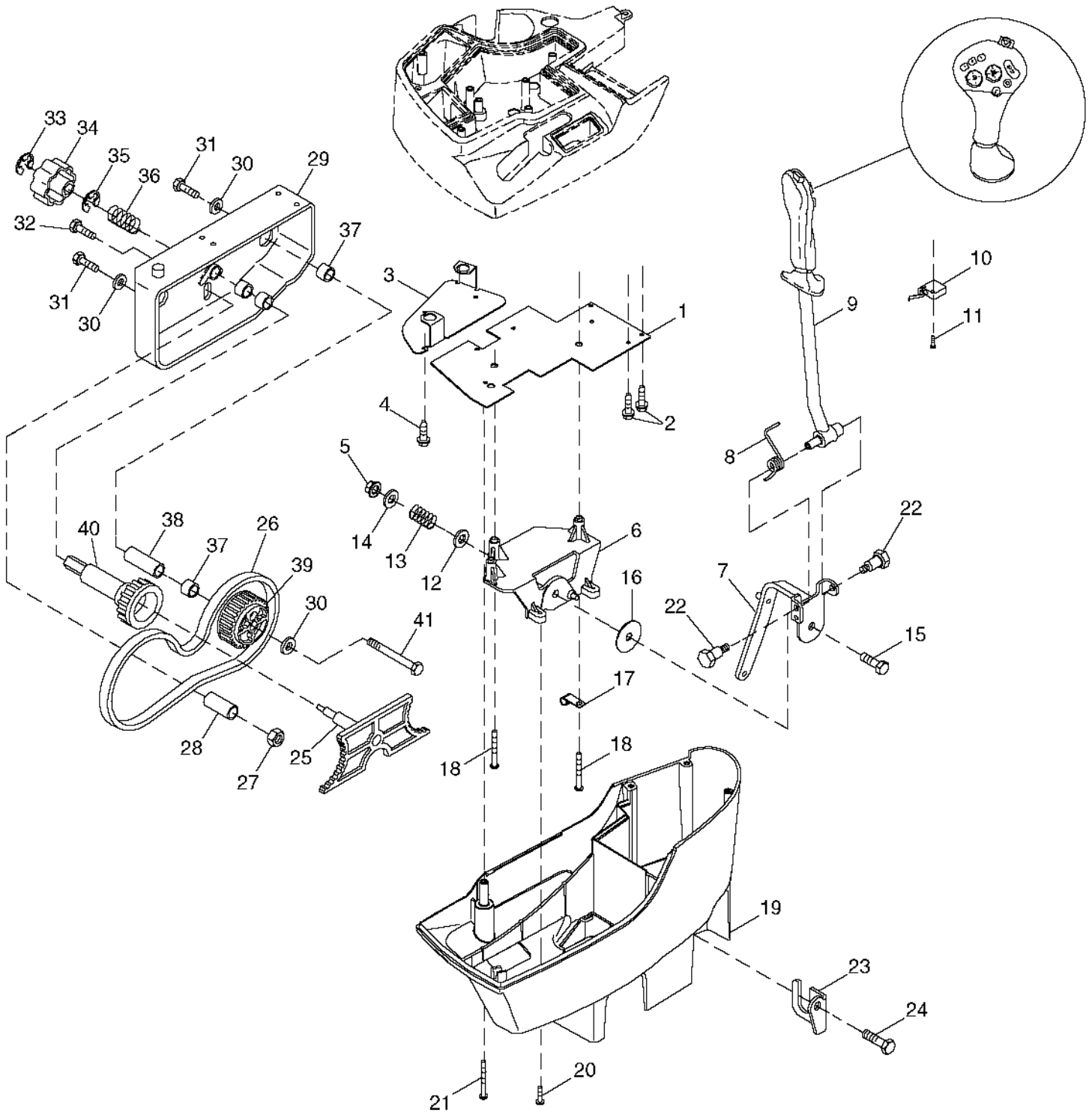
KEY	PART NO.	PART NAME	QTY	SERIAL NO.	9 5 9 5 5 0 H	REMARKS
1	AH147153	SEAT BELT	1		X X	
2	H135891	LOCK NUT	1		X X	
3	AH147030	STRAP	1		X X	
4	19M7835	SCREW	1		X X	M10 X 35

MEMORANDA

3B24

OPERATOR'S STATION

ARMREST CONTROL PANEL
HP9075 -UN-21SEP99



HP9075

3B25

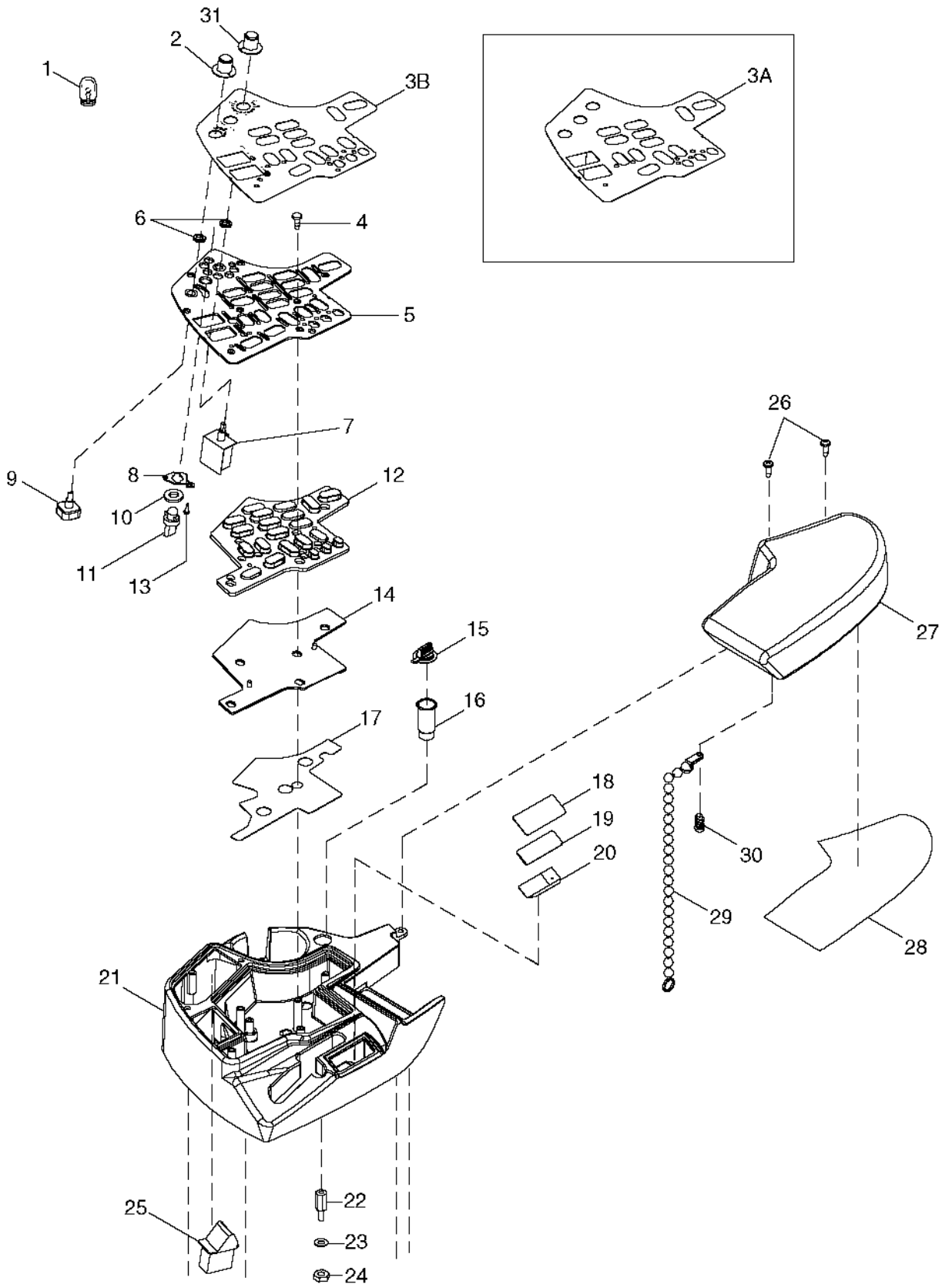
OPERATOR'S STATION

ARMREST CONTROL PANEL - CONTINUED

KEY	PART NO.	PART NAME	QTY	SERIAL NO.	9550 SH		REMARKS
					0	H	
1	AH159994	CIRCUIT BOARD	1		X	X	
2	H111364	SCREW	5		X	X	
3	H165728	COVER	1		X	X	
4	H111364	SCREW	3		X	X	
5	14M7396	LOCK NUT	1		X	X	M8
6	H152673	BRACKET	1		X	X	
7	AH146744	ARM	1		X	X	
8	H154937	SPRING	1		X	X	
9	AH163913	HANDLE	1		X		(SUB AH168439) WITH CONTOUR MASTER
	AH168439	HANDLE	1		X		
	AH163914	HANDLE	1		X	X	(SUB AH168440) WITHOUT CONTOUR MASTER
	AH168440	HANDLE	1		X	X	
10	AH161154	SWITCH	1		X	X	
11	37M7066	SCREW	2		X	X	
12	24H1305	WASHER	1		X	X	13/32" X 13/16" X 0.065"
13	122SE	SPRING	1		X	X	
14	24M7207	WASHER	1		X	X	8.400 X 24 X 2 MM
15	H119007	SCREW	1		X	X	
16	R113364	WASHER	1		X	X	
17	R114203	CLAMP	1		X	X	
18	R124859	SCREW	3		X	X	
19	R134138	HOUSING	1		X	X	
20	R117569	SCREW	2		X	X	
21	R124859	SCREW	1		X	X	
22	H131424	BOLT	2		X	X	
23	H152664	SUPPORT	1		X	X	
24	19M8319	SCREW	1		X	X	M8 X 50
25	R150660	PAWL	1		X	X	
26	R124898	BELT	1		X	X	
27	14M7416	FLANGE NUT	1		X	X	M8
28	R128232	BUSHING	1		X	X	
29	R130990	HOUSING	1		X	X	
30	24M7028	WASHER	2		X	X	10.500 X 20 X 2 MM
31	19M7875	CAP SCREW	2		X	X	M10 X 70
32	19M7799	SCREW	1		X	X	M8 X 45
33	40M7088	SNAP RING	1		X	X	
34	R127224	KNOB	1		X	X	
35	F2863	RING	1		X	X	
36	R73094	SPRING	1		X	X	
37	R130988	BUSHING	10		X	X	
38	R124903	SHAFT	2		X	X	
39	R130989	CAM	2		X	X	
40	R150659	DRIVER	1		X	X	
41	19M7875	CAP SCREW	2		X	X	M10 X 70

3C1

ARMREST CONTROL PANEL
HP9811 -UN-15JUN00



HP9811

ARMREST CONTROL PANEL - CONTINUED

KEY	PART NO.	PART NAME	QTY	SERIAL NO.	0 H	REMARKS
					9	
					5	
					9	
					5	
					0	
					5	
					S	
					0	
					H	
1	AA27536	BULB	6		X X	
2	H169864	KNOB	1		X X	
3A	H170912	PANEL	1	-XXXXXX	X X	AUTOMATIC HEIGHT CONTROL
3B	H174192	PANEL	1	XXXXXX-	X X	
4	H118166	SCREW	8		X X	
5	AH163000	BEZEL	1		X X	
6	H106246	LOCK NUT	2		X X	
7	AH121190	SWITCH	1		X X	
8	H160799	CLIP	1		X X	
9	AH159180	SWITCH	1		X X	
10	H172760	WASHER	1		X X	
11	RE65816	SENSOR	1		X X	
12	AH159241	PAD	1	-XXXXXX	X X	
	AH164278	PAD	1	XXXXXX-	X X	
13	H111364	SCREW	1		X X	
14	AH154407	SWITCH	1		X X	
15	H170373	PLUG	1		X X	
16	AR56766	HOUSING	1		X X	
17	H156363	LABEL	1		X X	
18	H153453	LABEL	1		X X	
19	H153457	LENS	1		X X	
20	H168133	LIGHT BAR	1		X X	
21	H153443	COVER	1		X X	
22	H129367	SPACER	1		X X	
23	12M7084	LOCK WASHER	1		X X	
24	14H605	NUT	1		X X	
25	AH155007	SWITCH	2		X X	
26	R126355	SCREW	2		X X	
27	AH147170	CUSHION	1		X X	
28	H170073	LABEL	1		X X	START SEQUENCE AND SEAT SAFETY
29	AR27940	LINK CHAIN	1		X X	
30	H111706	SCREW	2		X X	
31	AH126811	KNOB	1		X X	CYLINDER SPEED CONTROL
..	H171222	INSTRUCTIONS	1		X X	
..	AH156708	INSTRUCTION PLATE	1		X	UKRAINIAN

9550 S.N. BREAK (-690200)(690201-)

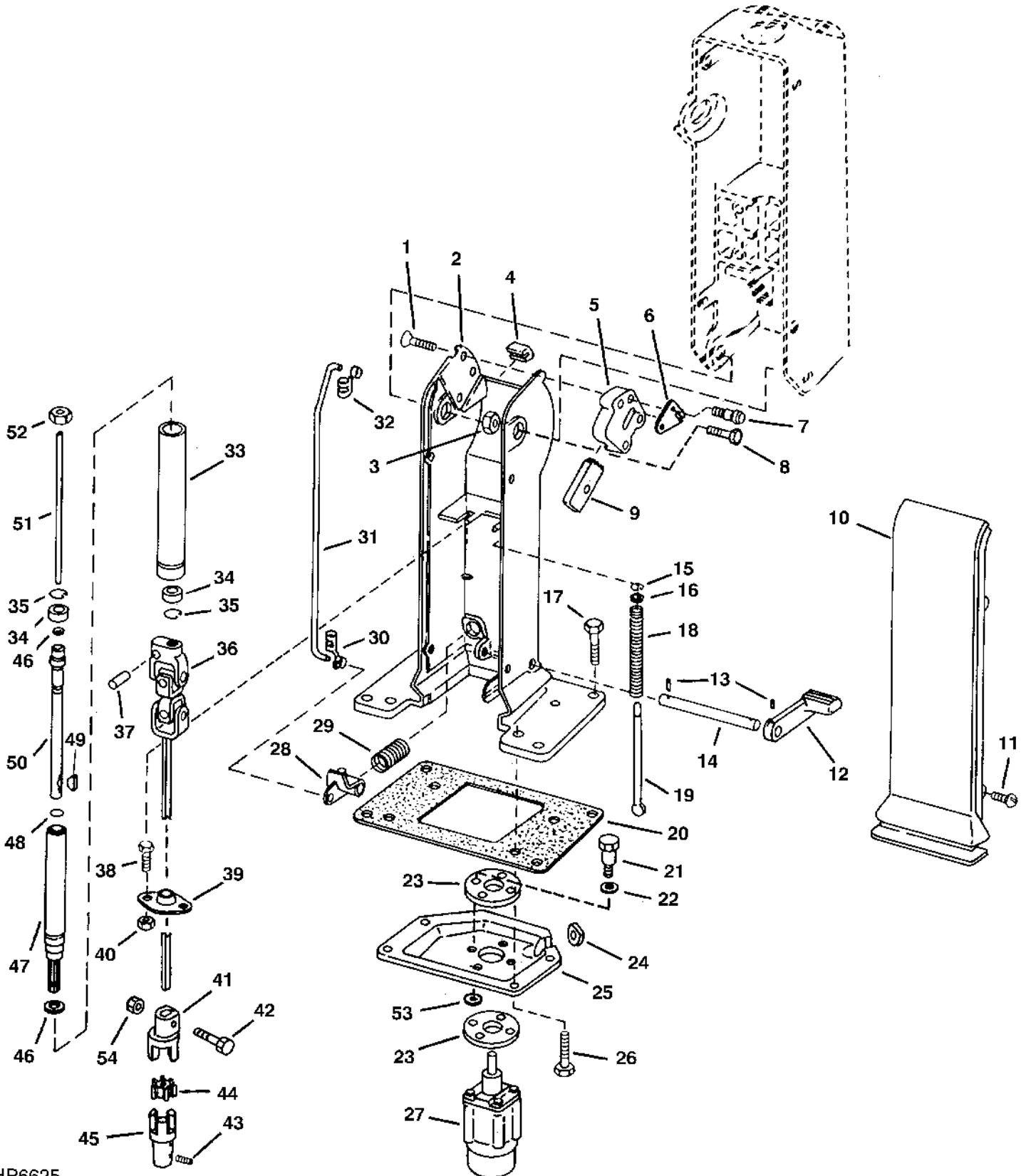
9550SH S.N. BREAK (-690700)(690701-)

3C3

OPERATOR'S STATION

STEERING COLUMN (LOWER)

HP6625 -UN-27JAN97



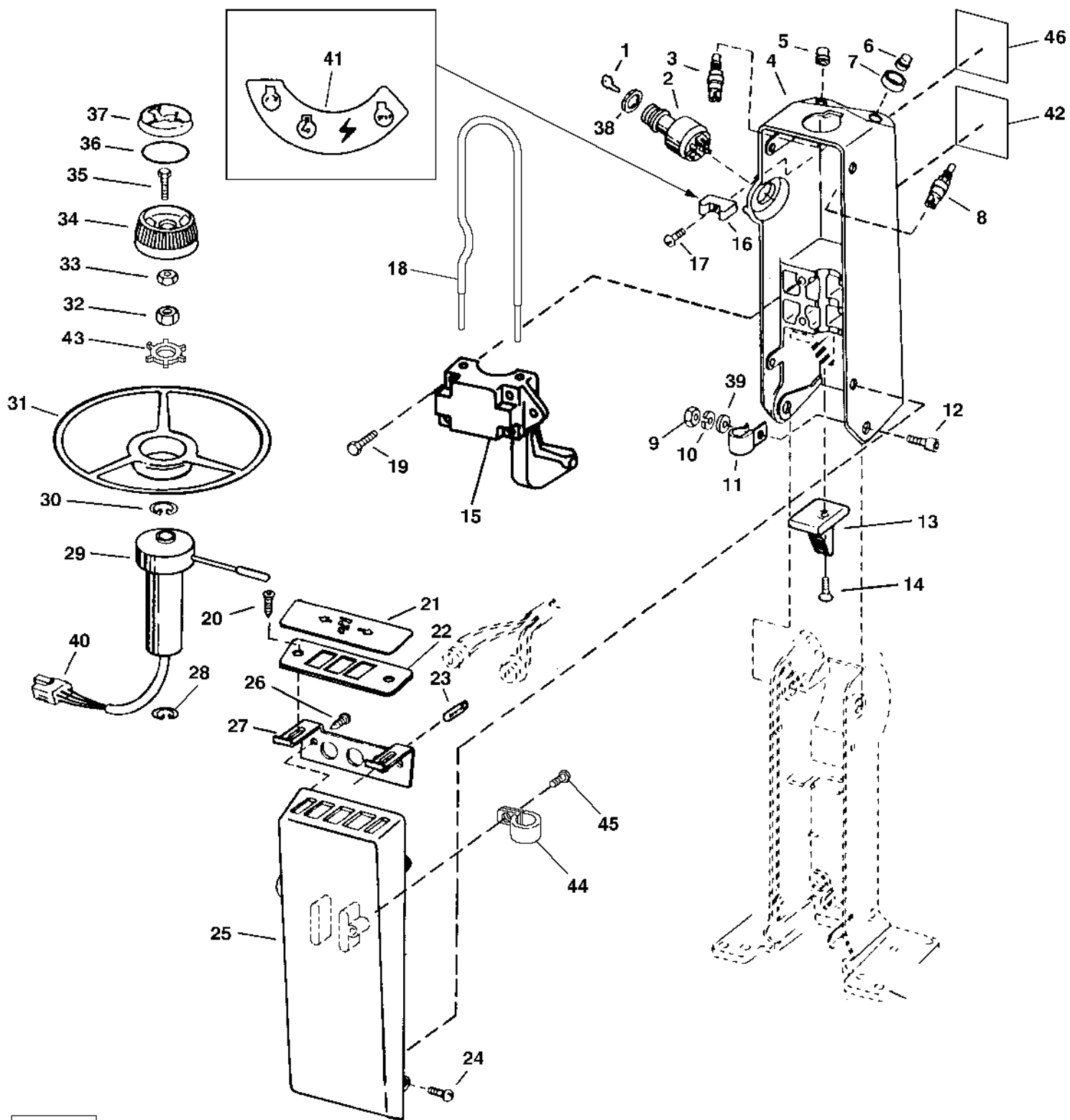
HP6625

STEERING COLUMN (LOWER) - CONTINUED

KEY	PART NO.	PART NAME	QTY	SERIAL NO.	9	REMARKS
					5	
					9	
					5	
					0	
					5	
					S	
					0	
					H	
1	H133205	SCREW	3		X X	
2	H152173	HOUSING	1		X X	
3	14M7274	NUT	2		X X	M10
4	H107566	ISOLATOR	1		X X	
5	H110310	HOUSING	1		X X	
6	H110229	CRANK	1		X X	
7	H170382	BOLT	2		X X	
8	H107687	SCREW	2		X X	
9	H141327	PAWL	1		X X	
10	H152172	COVER	1		X X	
11	H165693	SCREW	4		X X	
12	H152174	PEDAL	1		X X	
13	34M7102	SPRING PIN	2		X X	5 X 26 MM
14	H113864	PIN	1		X X	
15	H133106	SNAP RING	1		X X	
16	24M7055	WASHER	1		X X	8.400 X 16 X 1.600 MM
17	19M7800	SCREW	4		X X	M8 X 50
18	H113404	SPRING	1		X X	
19	H113402	ROD	1		X X	
20	H123874	SEALANT	1		X X	
21	H110700	BOLT	4		X X	
22	24M7028	WASHER	4		X X	10.500 X 20 X 2 MM
23	H134353	ISOLATOR	2		X X	
24	H108725	GROMMET	1		X X	
25	H123875	SUPPORT	1		X X	
26	19M7867	SCREW	4		X X	M8 X 25
27	AH142441	PUMP	1		X X	
28	H107582	ARM	1		X X	
29	H107584	SPRING	1		X X	
30	R26501	CLIP	1		X X	
31	H131186	ROD	1		X X	
32	R26524	CLIP	1		X X	
33	H107567	HOUSING	1		X X	
34	AH97920	BALL BEARING	2		X X	
35	H80753	SNAP RING	2		X X	
36	AH139065	UNIVERSAL JOINT, WITH SHAFT	1		X X	
37	34M7124	SPRING PIN	1		X X	8 X 30 MM
38	19M7866	SCREW	2		X X	
39	AH129236	BEARING	1		X X	
40	14M7166	LOCK NUT	2		X X	M8
41	H162569	COUPLING	1		X X	
42	H162055	SCREW	1		X X	M8 X 40
43	22M7072	SET SCREW	2		X X	M6 X 10
44	H134624	ISOLATOR	1		X X	
45	H134623	SPLINED COUPLING	1		X X	
46	H99294	WASHER	2		X X	
47	AH130429	STEERING SHAFT	1		X X	
48	H36256	O-RING	1		X X	
49	H137667	SHAFT KEY	1		X X	
50	H107570	STEERING SHAFT	1		X X	
51	H107586	PIN	1		X X	
52	14M7257	NUT	1		X X	M20
53	H141946	WASHER	4		X X	
54	14M7396	LOCK NUT	1		X X	M8

STEERING COLUMN (UPPER)

HP8445 -UN-08JUL99



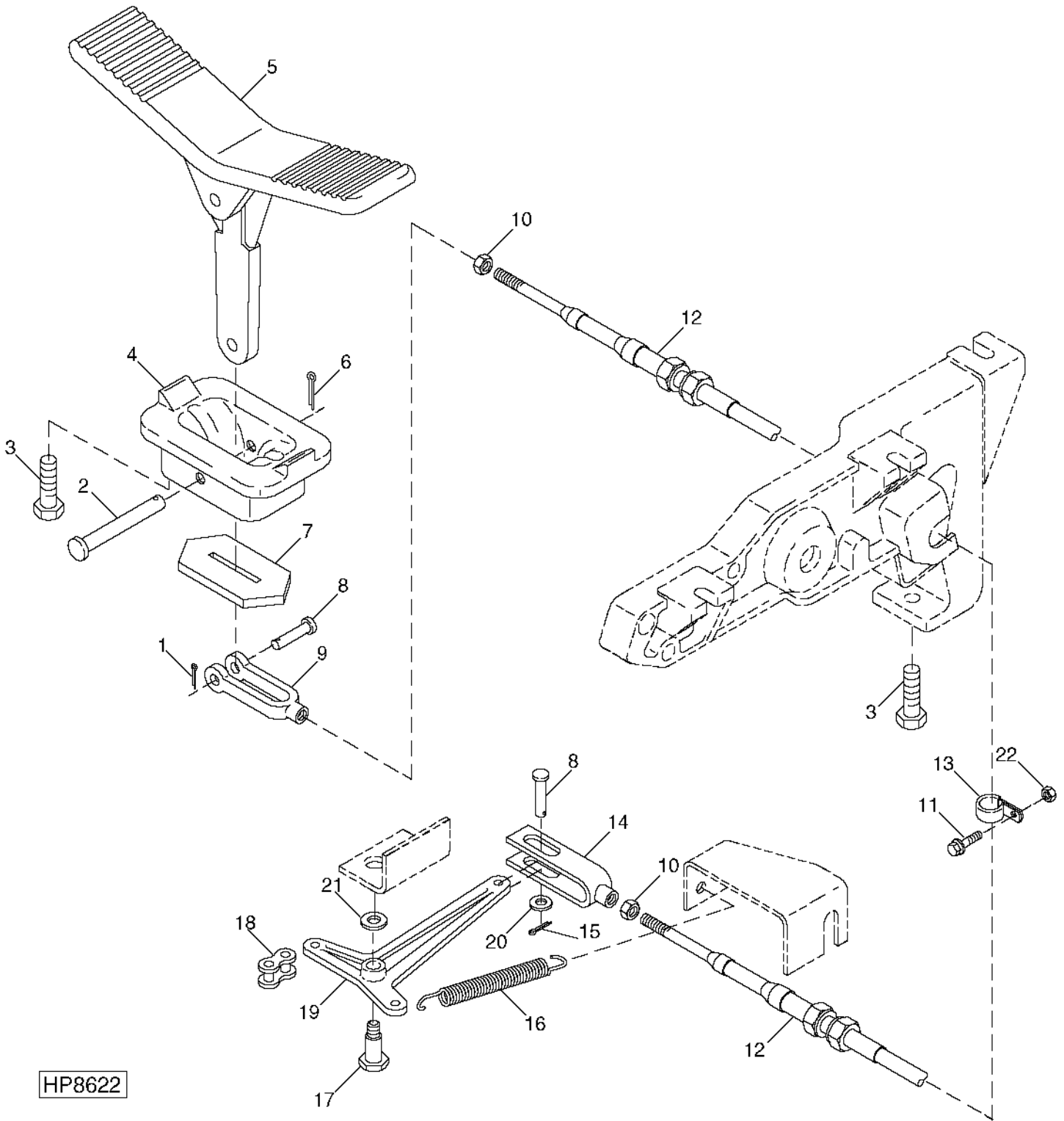
HP8445

STEERING COLUMN (UPPER) - CONTINUED

KEY	PART NO.	PART NAME	QTY	SERIAL NO.	0 H	REMARKS
					9	
					5	
					9	
					5	
					0	
					5	
					S	
					0	
					H	
1	AR51481	KEY	1		X X	
2	AH108816	SWITCH	1		X X	KEY START SWITCH
3	R39554	SWITCH	1		X X	HORN BUTTON
4	H152171	HOUSING	1		X X	
5	T55501	CAP	1		X X	
6	T55585	CAP	1		X X	
7	H132895	GUARD	1		X X	
8	R39554	SWITCH	1		X X	ETHER AID START BUTTON
9	14M7274	NUT	2		X X	M10
10	12M7066	LOCK WASHER	2		X X	10.200 MM
11	AH89486	CLIP	1		X X	
12	H107687	SCREW	2		X X	STEERING COLUMN PIVOT
13	H110812	GEAR	1		X X	
14	H133205	SCREW	2		X X	M8 X 25
15	H150383	CLAMP	1		X X	
16	H113863	GUIDE	1		X X	
17	37M7071	SCREW	1		X X	
18	AH129255	GUARD	1		X X	
19	19M7800	SCREW	4		X X	M8 X 50
20	H132899	SCREW	1		X X	
21	H146392	PANEL	1		X X	
22	H146391	PANEL	1		X X	
23	AA27536	BULB	1		X X	
24	H165693	SCREW	4		X X	M6 X 12
25	H152170	COVER	1		X X	
26	37H6	SCREW	2		X X	
27	H132897	RETAINER	1		X X	
28	R26192	SNAP RING	1		X X	
29	AH121340	TURN SIGNAL CONTROLLER	1		X X	TURN SIGNAL
	T23529	SNAP RING	1		X X	
30	R26192	SNAP RING	1		X X	
31	RE46962	STEERING WHEEL	1		X X	
32	14M7257	NUT	1		X X	M20
33	14M7273	NUT	1		X X	M8
34	H108822	KNOB	1		X X	
35	19M7164	CAP SCREW	1		X X	M8 X 50
36	B3690R	O-RING	1		X X	47.219 X 3.531 MM
37	R47998	CAP	1		X X	
38	R44342	NUT	1		X X	25.400 MM
39	24M7028	WASHER	1		X X	10.500 X 20 X 2 MM
40	AH116902	CONNECTOR	1		X X	
41	H146042	LABEL	1		X X	FOR IGNITION SWITCH
42	H156390	LABEL	1		X X	
43	T17148	LOCK WASHER	1		X X	
44	AH89557	CLIP	1		X X	
45	37M7083	SCREW	1		X X	M8 X 12
46	H155510	SIGN	1		X X	SEATBELT

FEEDER HOUSE REVERSER FOOT CONTROL

HP8622 -UN-07JUN99



HP8622

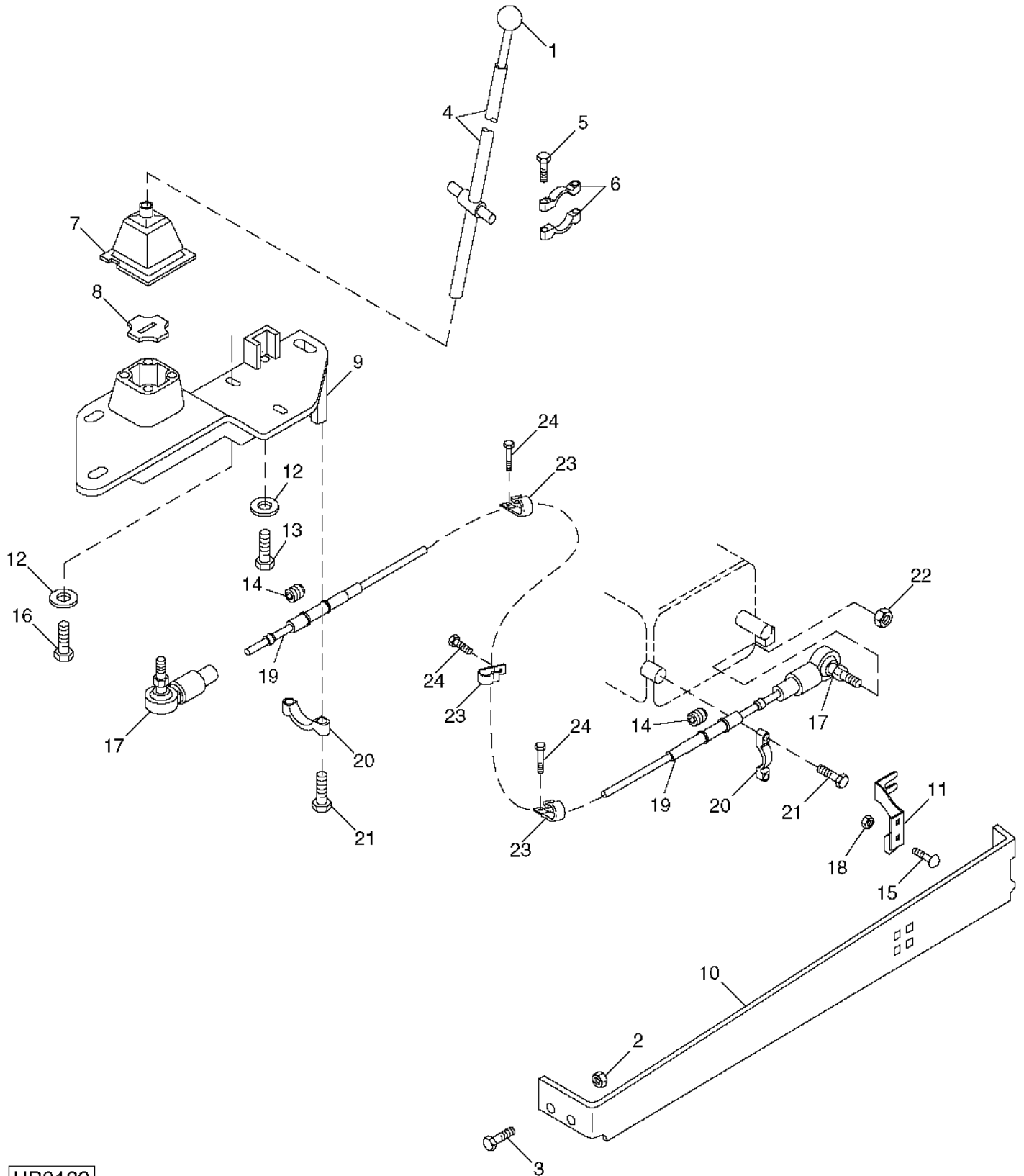
FEEDER HOUSE REVERSER FOOT CONTROL - CONTINUED

KEY	PART NO.	PART NAME	QTY	SERIAL NO.	0 H	REMARKS
					9	
					5	
					9 5	
					5 0	
					5 S	
					0 H	
1	11M7082	COTTER PIN	1		X X	2.500 X 25 MM
2	R65569	PIN	1		X X	9.398 X 49.479 MM
3	19M7866	SCREW	2		X X	M8 X 20
4	H153480	BEZEL	1		X X	
5	H153479	PEDAL	1		X X	
6	11M7081	COTTER PIN	1		X X	2.500 X 20 MM
7	H133210	SEAL	1		X X	
8	T16193	PIN	2		X X	6.248 X 29.362 MM
9	H130646	YOKE	1		X X	
10	14M7273	NUT	2		X X	M8
11	19M7791	SCREW	1		X X	M12 X 40
12	AH128452	PUSH PULL CABLE	1		X X	
13	R73384	CLAMP	1		X X	
14	AH127383	YOKE	1		X X	
15	11M7082	COTTER PIN	1		X X	2.500 X 25 MM
16	H84948	SPRING	1		X	
17	H127749	BOLT	1		X	M12 X 45
18	AE23791	CHAIN LINK	1		X X	
19	H140836	BELLCRANK	1		X X	
20	24M7054	WASHER	1		X X	6.400 X 12 X 1.600 MM
21	24M7047	WASHER	1		X X	13 X 24 X 2.500 MM
22	14M7299	FLANGE NUT	1		X X	M12

3C9

GEARSHIFT LEVER AND LINKAGE

HP9183 -UN-15OCT99



HP9183

3C10

OPERATOR'S STATION

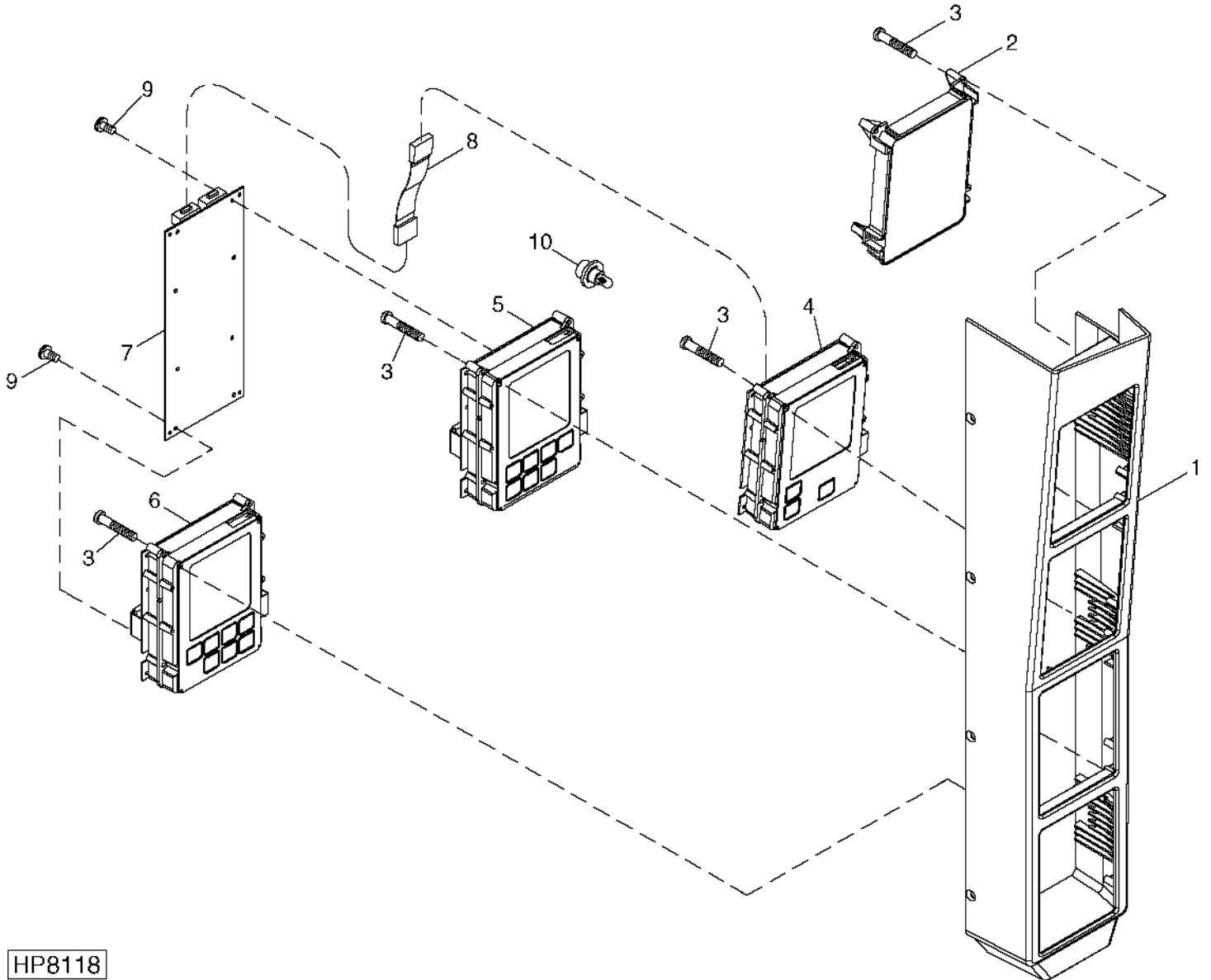
GEARSHIFT LEVER AND LINKAGE - CONTINUED

KEY	PART NO.	PART NAME	QTY	SERIAL NO.	9550 SH		REMARKS
					0	H	
1	H125518	KNOB	1		X	X	
2	14M7401	LOCK NUT	1		X	X	M12
3	19M7789	SCREW	1		X	X	M12 X 30
4	AH138707	ROD	1		X	X	
5	19M8318	SCREW	4		X	X	M8 X 45
6	H131040	BEARING	4		X	X	
7	H131041	BOOT	1		X	X	
8	H133660	SEAL	1		X	X	
9	H133636	HOUSING	1		X	X	
10	H148225	GUARD	1		X	X	
11	H141315	BRACKET	1		X	X	
12	24H1296	WASHER	5		X	X	11/32" X 1-3/8" X 0.134"
13	19M8319	SCREW	1		X	X	M8 X 50
14	H133662	ISOLATOR	2		X	X	
15	03M7190	BOLT	2		X	X	M10 X 20
16	19M7867	SCREW	4		X	X	M8 X 25
17	AH125958	BALL JOINT	2		X	X	
18	AH138329	KIT	1		X		
19	AH128357	CABLE	1		X		
	AH128356	CABLE	1			X	
20	H133047	CLAMP	2		X	X	
21	19M8291	SCREW	4		X	X	M8 X 35
22	14M7296	FLANGE NUT	1		X	X	M10
23	AH77724	CLIP	3		X	X	
24	37M7058	SCREW	3		X	X	M8 X 20
25	14M7400	LOCK NUT	2		X	X	M10
..	TY9371	ADHESIVE	1		X	X	6 ML HIGH STRENGTH

3C11

OPERATOR'S STATION

R.H. CORNERPOST DISPLAY PANEL
HP8118 -UN-08JUL99



HP8118

3C12

OPERATOR'S STATION

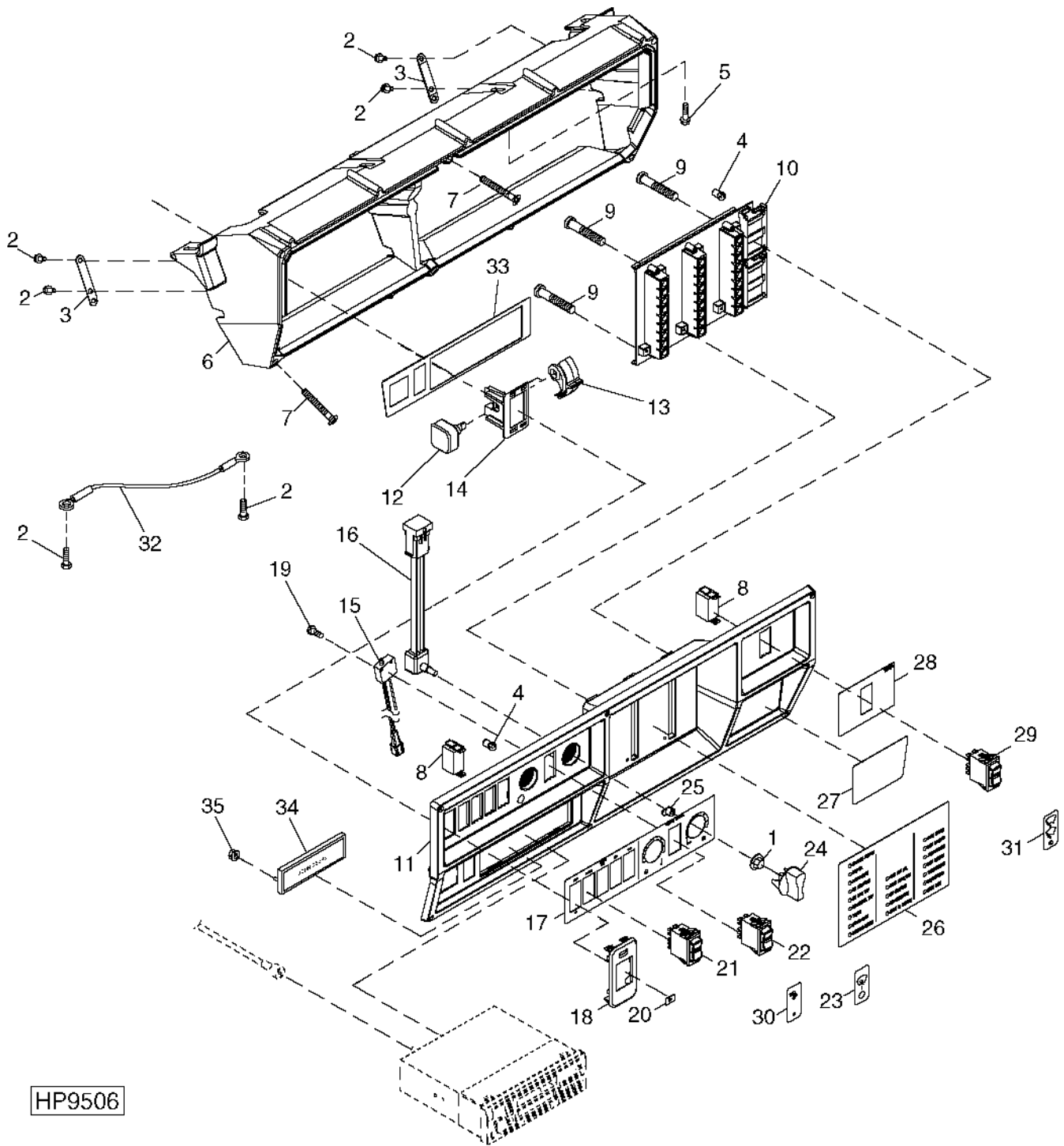
R.H. CORNERPOST DISPLAY PANEL

KEY	PART NO.	PART NAME	QTY	SERIAL NO.	9 5 9 5 5 0 5 S 0 H	REMARKS
1	H162559	HOUSING	1		X X	
2	H162560	PANEL	1		X X	
3	H171285	BOLT	16		X X	
4	AH161969	MODULE	1		X X	ACTIVE HEADER HEIGHT CONTROL
5	AH155933	MODULE	1		X X	GRAIN LOSS DISPLAY
6	AH155932	MODULE	1		X X	TACHOMETER DISPLAY
7	AH161864	CIRCUIT BOARD	1		X X	
8	AH161865	WIRING HARNESS	1		X X	
9	21M7268	SCREW	8		X X	M3 X 6
10	R107890	BULB	6		X X	

3C13

OPERATOR'S STATION

OVERHEAD CONSOLE
HP9506 -UN-21JAN00



HP9506

3C14

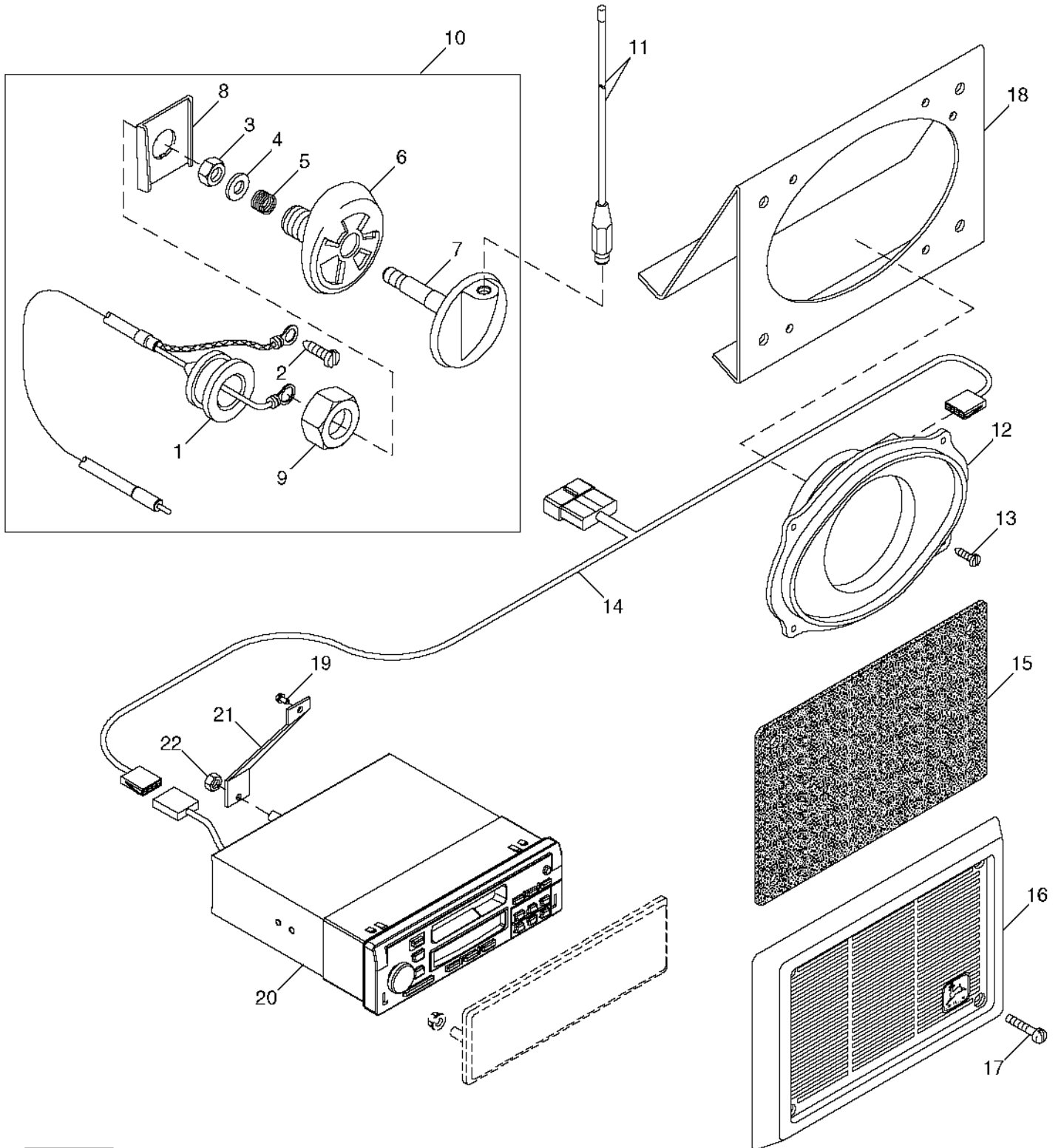
OPERATOR'S STATION

OVERHEAD CONSOLE - CONTINUED

KEY	PART NO.	PART NAME	QTY	SERIAL NO.	0 H	REMARKS
					9	
					5	
					9 5	
					5 0	
					5 S	
					0 H	
1	H106246	LOCK NUT	2		X X	
2	H114038	SCREW	9		X X	
3	H164952	STRAP	3		X X	
4	AH108380	BULB	28		X X	
5	H116188	SCREW	4		X X	
6	AH154696	SUPPORT	1		X X	
7	H165690	SCREW	6		X X	
8	CONNECTOR	6		X X	
9	H110842	SCREW	6		X X	
10	AH166773	KIT	1		X X	(SUB FOR AH159037) WARNING DISPLAY PANEL
11	H161550	CONSOLE	1		X X	
12	AH160236	SENSOR	1		X X	
13	H166839	WHEEL	1		X X	
14	H166840	FRAME	1		X X	
15	AH162163	SWITCH	1		X X	
16	AH154221	POTENTIOMETER	2		X X	
17	H161163	GRAPHICS PANEL	1		X X	
18	H176083	PANEL	1		X X	(SUB FOR H166838)
19	37M7066	SCREW	2		X X	WITH AM/FM/CD/WEATHERBAND & AM/FM/CASS/WEATHERBAND ONLY
20	H166959	LABEL	1		X X	
21	AH158288	ROCKER SWITCH	1		X X	
22	AH158290	ROCKER SWITCH	2		X X	
23	H169067	LABEL	1		X X	
24	H168755	KNOB	2		X X	
25	H168757	CAM	2		X X	
26	H161105	GRAPHICS PANEL	1		X X	
	H143632	PANEL	1		X X	FRENCH
27	H161167	GRAPHICS PANEL	1		X X	
28	H161165	GRAPHICS PANEL	1		X X	
29	AH158291	ROCKER SWITCH	1		X X	
30	H161937	LABEL	1		X X	HAZARD LIGHTS
	H161938	LABEL	1		X X	ROAD LIGHTS
	H161939	LABEL	1		X X	FIELD LIGHTS
	H161940	LABEL	1		X X	WORK LIGHTS
31	H164260	LABEL	1		X X	
32	AH124882	CABLE	1		X X	
33	H161166	GRAPHICS PANEL	1		X X	
34	H153358	PANEL	1		X X	COVER (WHERE RADIO IS NOT INSTALLED)
35	H117239	FLANGE NUT	2		X X	

3C15

RADIO, SPEAKER, AND ANTENNA (OPTIONAL)
HP9505 -UN-21JAN00



HP9505

3C16

OPERATOR'S STATION

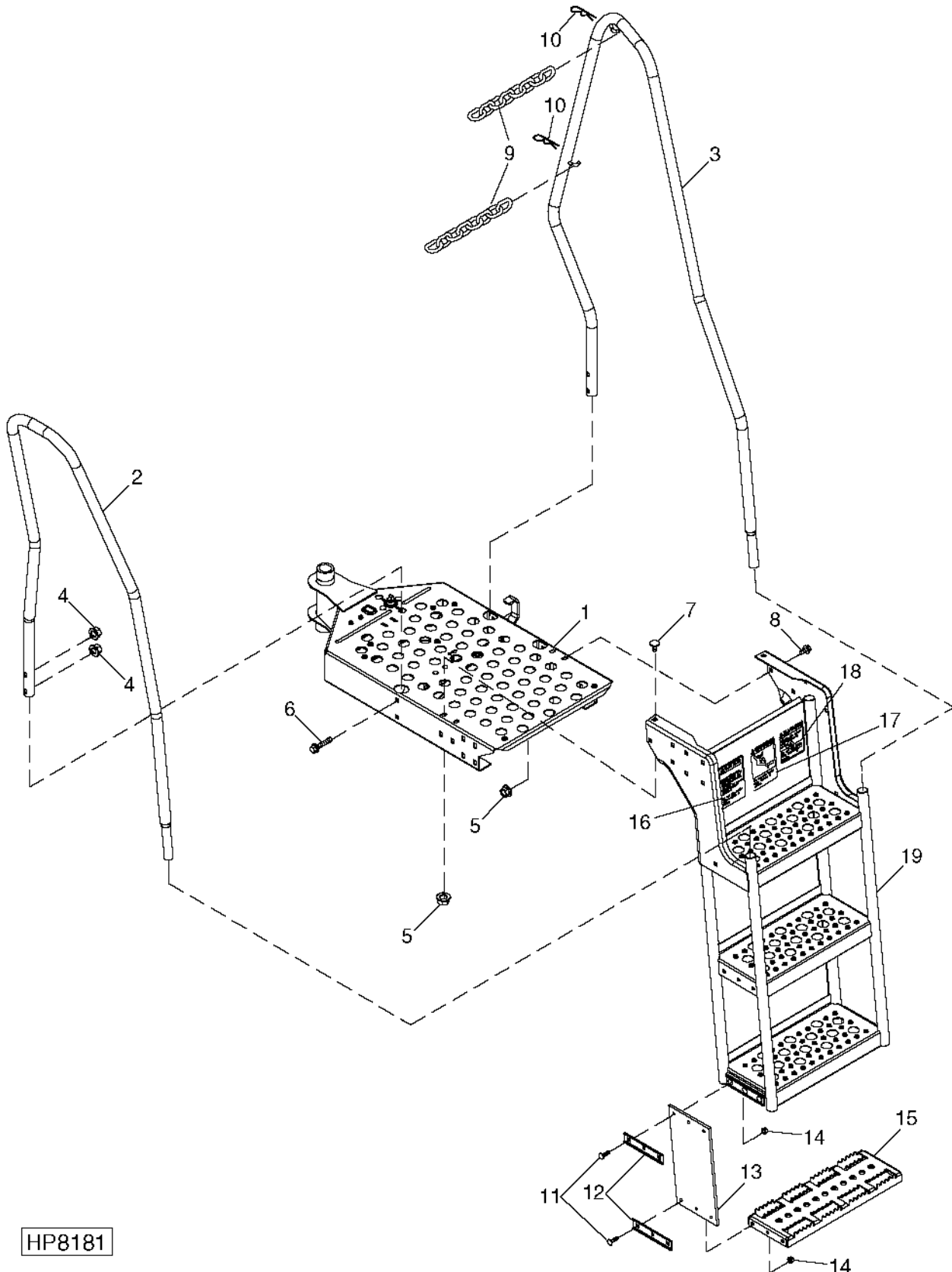
RADIO, SPEAKER, AND ANTENNA - CONTINUED

KEY	PART NO.	PART NAME	QTY	SERIAL NO.	0 H	REMARKS
					9	
					5	
					9	
					5	
					0	
					5	
					S	
					0	
					H	
1	WIRING LEAD	1		X X	(A)
2	37M7089	SCREW	1		X X	(A) M6 X 12
3	14M7152	NUT	1		X X	(A) M10
4	24M7096	WASHER	1		X X	(A) 10.500 X 18 X 1.600 MM
5	SPRING	1		X X	(A)
6	FLANGE	1		X X	(A)
7	BASE	1		X X	(A)
8	SPACER	1		X X	(A)
9	14M7309	NUT	1		X X	(A) M24
10	AH141012	KIT	1		X X	ANTENNA (INCLUDES PARTS MARKED (A))
11	AR104516	ANTENNA	1		X X	
12	AH138098	SPEAKER	2		X X	
13	37M7215	SCREW	4		X X	
14	AH166980	JUMPER	1		X X	
15	H145264	ISOLATOR	1		X X	
16	H153352	GRILLE	2		X X	
17	37M7100	SCREW	4		X X	
18	H144472	SUPPORT	1		X X	
19	H114038	SCREW	1		X X	
20	RADIO	1		X X	AM/FM/WB STEREO (ORDER FROM DELCO)
	RADIO	1		X X	AM/FM/CASS/WB STEREO (ORDER FROM DELCO)
	RADIO	1		X X	AM/FM/CD/WB STEREO (ORDER FROM DELCO)
21	H171011	BRACKET	1		X X	
22	14M7375	FLANGE NUT	1		X X	M5

3C17

LADDER, HANDRAILS AND EXTENSION

HP8181 -UN-07JUN99



HP8181

LADDERS, HANDRAILS AND EXTENSION - CONTINUED

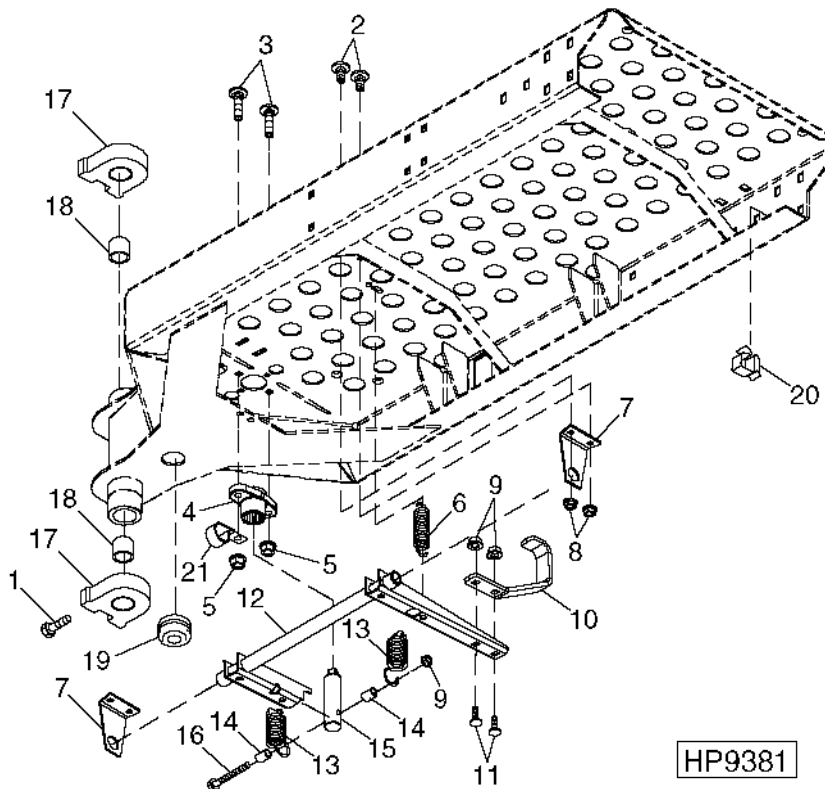
KEY	PART NO.	PART NAME	QTY	SERIAL NO.	9		REMARKS
					5	0	
1	AH159185	EXTENSION	1		X	X	(810)
	AH159186	EXTENSION	1		X	X	(940)
	AH159187	EXTENSION	1		X	X	(1260)
2	AH159188	EXTENSION	1		X	X	(1390)
	AH157053	EXTENSION	1		X	X	(1070)
	H167173	HANDRAIL	1		X	X	(810)
3	H167174	HANDRAIL	1		X	X	(940)
	AH160469	HANDRAIL	1		X	X	(1260)
	AH160470	HANDRAIL	1		X	X	(1390)
	AH160471	HANDRAIL	1		X	X	(1070)
	AH160472	HANDRAIL	1		X	X	(810)
	AH160473	HANDRAIL	1		X	X	(940)
4	AH160474	HANDRAIL	1		X	X	(1260)
	AH160475	HANDRAIL	1		X	X	(1390)
	AH160476	HANDRAIL	1		X	X	(1070)
5	14M7400	LOCK NUT	AR		X	X	M10
6	14M7296	FLANGE NUT	8		X	X	M10
7	19M8292	SCREW	8		X	X	M10 X 50
8	03M7190	BOLT	2		X	X	M10 X 20
9	19M7784	SCREW	6		X	X	M10 X 20
10	AH146041	SAFETY CHAIN	2		X	X	
11	B32630	SPRING LOCKING PIN	2		X	X	
12	03M7186	BOLT	12		X	X	M8 X 30
13	H136127	PLATE	4		X	X	
14	H136126	HANGER	2		X	X	
15	14M7396	LOCK NUT	12		X	X	M8
16	H136011	STEP	1		X	X	
17	H149064	LABEL	1		X	X	
18	H170654	SAFETY SIGN	1		X	X	
19	E82510	LABEL	1		X	X	
..	AH165990	LADDER	1				
..	BH80681	COMPLETE GOODS/SHIP. BUNDLE	1		X	X	(940) LADDER EXTENSION AND WARNING LIGHTS
..	BH81583	COMPLETE GOODS/SHIP. BUNDLE	1		X	X	(940) LADDER EXTENSION ASSEMBLY
..	BH80682	COMPLETE GOODS/SHIP. BUNDLE	1		X	X	(1260) LADDER EXTENSION AND WARNING LIGHTS
..	BH81584	COMPLETE GOODS/SHIP. BUNDLE	1		X	X	(1260) LADDER EXTENSION ASSEMBLY
..	BH80683	COMPLETE GOODS/SHIP. BUNDLE	1		X	X	(1390) LADDER EXTENSION AND WARNING LIGHTS
..	BH81585	COMPLETE GOODS/SHIP. BUNDLE	1		X	X	(1390) LADDER EXTENSION ASSEMBLY

3C19

OPERATOR'S STATION

LADDER EXTENSION ASSEMBLY

HP9381 -UN-02DEC99



HP9381

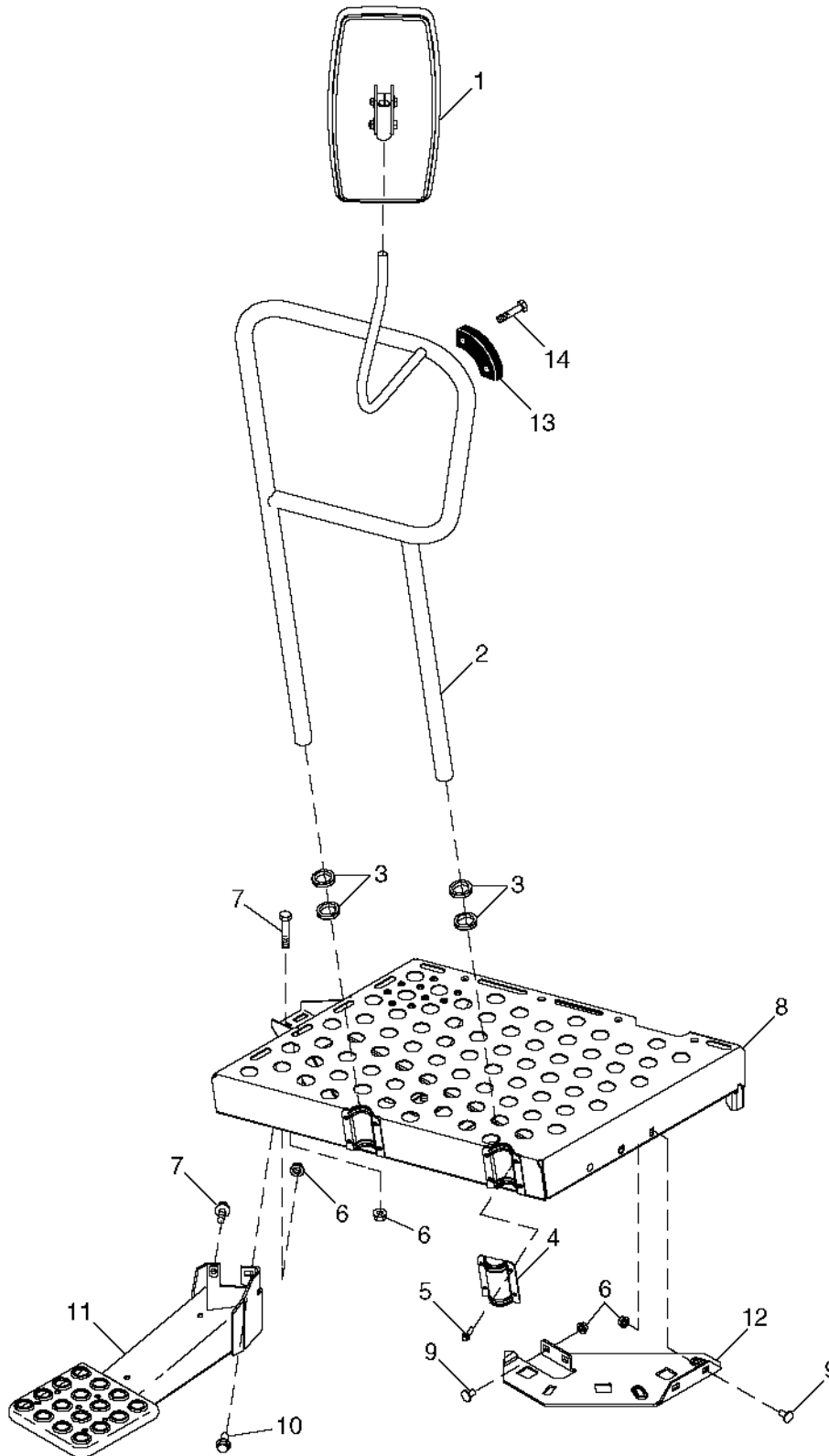
9
5
9 5
5 0
5 S
0 H

KEY	PART NO.	PART NAME	QTY	SERIAL NO.	REMARKS
1	19M7792	SCREW	4	X X	M16 X 30
2	03M7251	BOLT	4	X X	M6 X 12
3	03M7186	BOLT	2	X X	M8 X 30
4	H129761	BUSHING	1	X X	
5	14M7396	LOCK NUT	2	X X	M8
6	R60730	SPRING	1	X X	
7	H129763	BRACKET	2	X X	
8	14M7303	FLANGE NUT	4	X X	M6
9	14M7298	FLANGE NUT	1	X X	M8
10	H133514	LEVER	1	X X	
11	03M7185	BOLT	2	X X	M8 X 25
12	AH128610	LATCH	1	X X	
13	H137360	EXTENSION SPRING	2	X X	
14	28H1686	SPACER	2	X X	0.364" X 0.540" X 5/8"
15	H129760	PIN	1	X X	
16	19M7803	SCREW	1	X X	M8 X 70
17	H129610	BUSHING	2	X X	
18	H111478	SLEEVE	2	X X	
19	H114603	GROMMET	1	X X	
20	H172197	HOSE CLAMP	6	X X	
21	T32231	CLAMP	1	X X	

MEMORANDA

3C20

LANDING AND MIRROR (L.H.)
HP8183 -UN-08JUL99



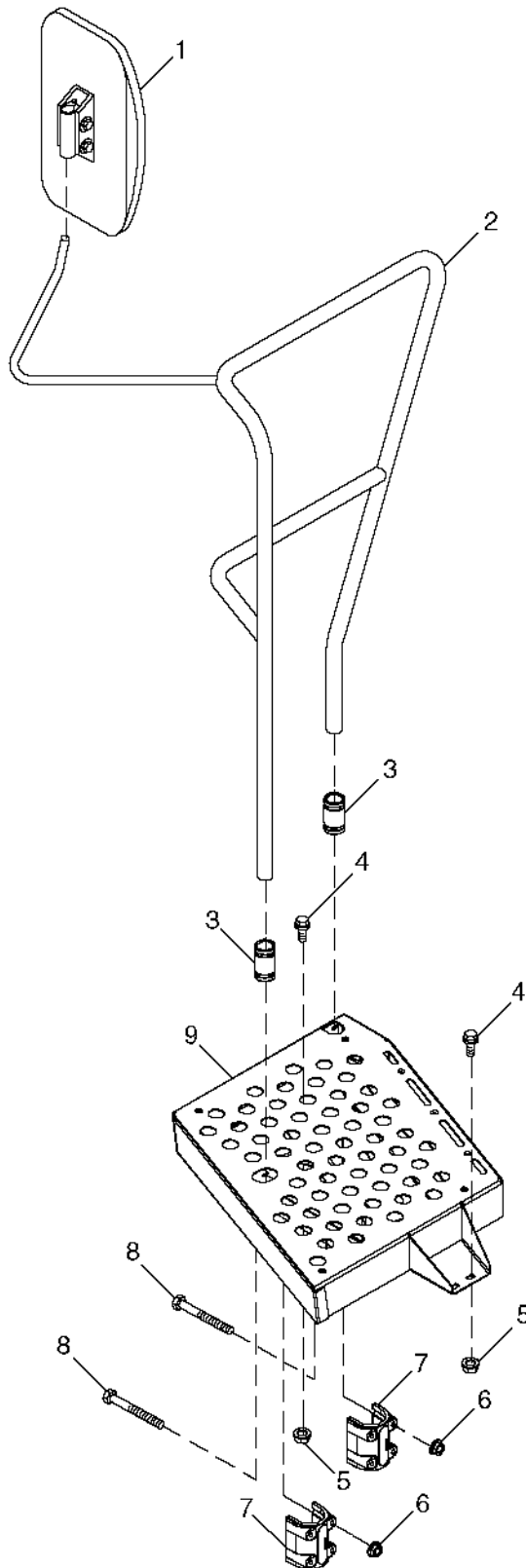
HP8183

LANDING AND MIRROR (L.H.) - CONTINUED

KEY	PART NO.	PART NAME	QTY	SERIAL NO.	9 5 9 5 5 0 5 S 0 H	REMARKS
1	AH142404	REAR VIEW MIRROR	1		X X	
2	AH160115	HANDRAIL	1		X X	
3	H136110	ISOLATOR	4		X X	
4	H161289	CLAMP	2		X X	
5	37M7131	SCREW	8		X X	M6 X 20
6	14M7296	FLANGE NUT	15		X X	M10
7	19M7784	SCREW	9		X X	M10 X 20
8	AH155210	PLATFORM	1		X X	
9	03M7190	BOLT	4		X X	M10 X 20
10	19M7786	SCREW	3		X X	M10 X 30
11	AH130594	STEP	1		X X	
12	H173616	PLATE	1		X X	(SUB FOR H172944)
13	AH122099	BUMPER	1		X X	
14	37M7046	SCREW	2		X X	

3C22

LANDING AND MIRROR (R.H.)
HP8182 -UN-07JUN99



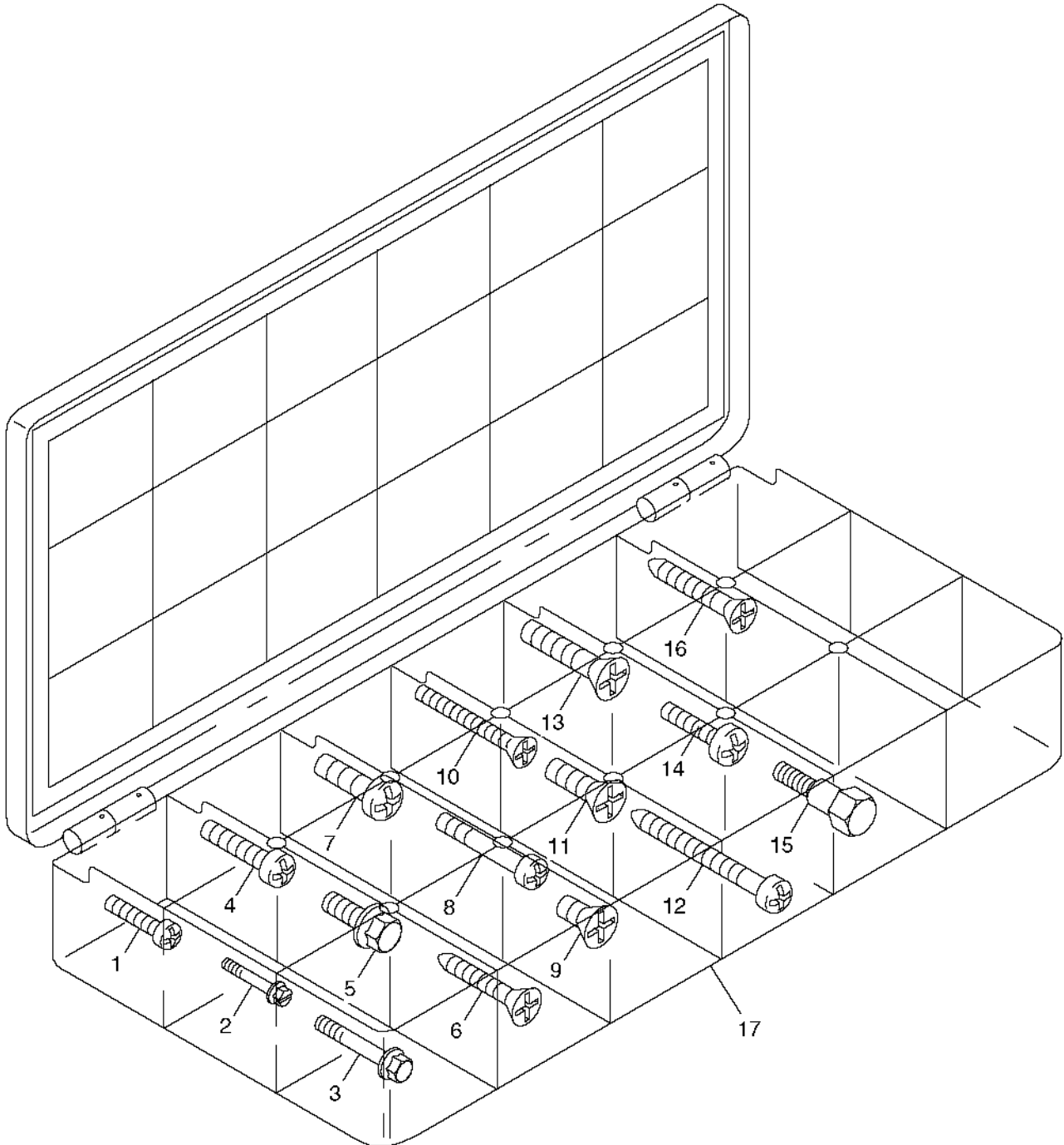
HP8182

LANDING AND MIRROR (R.H.) - CONTINUED

KEY	PART NO.	PART NAME	QTY	SERIAL NO.	0 H	REMARKS
					9	
					5	
					9 5	
					5 0	
					5 S	
					0 H	
1	AH142404	REAR VIEW MIRROR	1		X X	
2	AH160113	HANDRAIL	1		X X	
3	H167680	ISOLATOR	2		X X	
4	19M7784	SCREW	6		X X	M10 X 20
5	14M7296	FLANGE NUT	6		X X	M10
6	14M7303	FLANGE NUT	8		X X	M6
7	H167681	CLAMP	2		X X	
8	19M8040	SCREW	8		X X	M6 X 60
9	AH159740	PLATFORM	1		X X	

3C24

CAB HARDWARE KIT
HP3731 -UN-01SEP99



HP3731

3C25

OPERATOR'S STATION

CAB HARDWARE KIT - CONTINUED

KEY	PART NO.	PART NAME	QTY	SERIAL NO.	9 5 9 5 5 0 5 S 0 H	REMARKS
1	H110842	SCREW	10		X X	
2	H111364	SCREW	10		X X	
3	H111705	SCREW	10		X X	
4	H111706	SCREW	10		X X	
5	H114038	SCREW	5		X X	
6	H165689	SCREW	10		X X	
7	H123995	SCREW	10		X X	
8	H128859	SCREW	5		X X	
9	H165693	SCREW	5		X X	
10	H165690	SCREW	10		X X	
11	H163401	SCREW	5		X X	
12	H130298	SCREW	3		X X	
13	H165691	SCREW	10		X X	
14	H140627	SCREW	10		X X	
15	H131424	BOLT	3		X X	
16	H132899	SCREW	5		X X	
17	AH151362	KIT	1		X X	

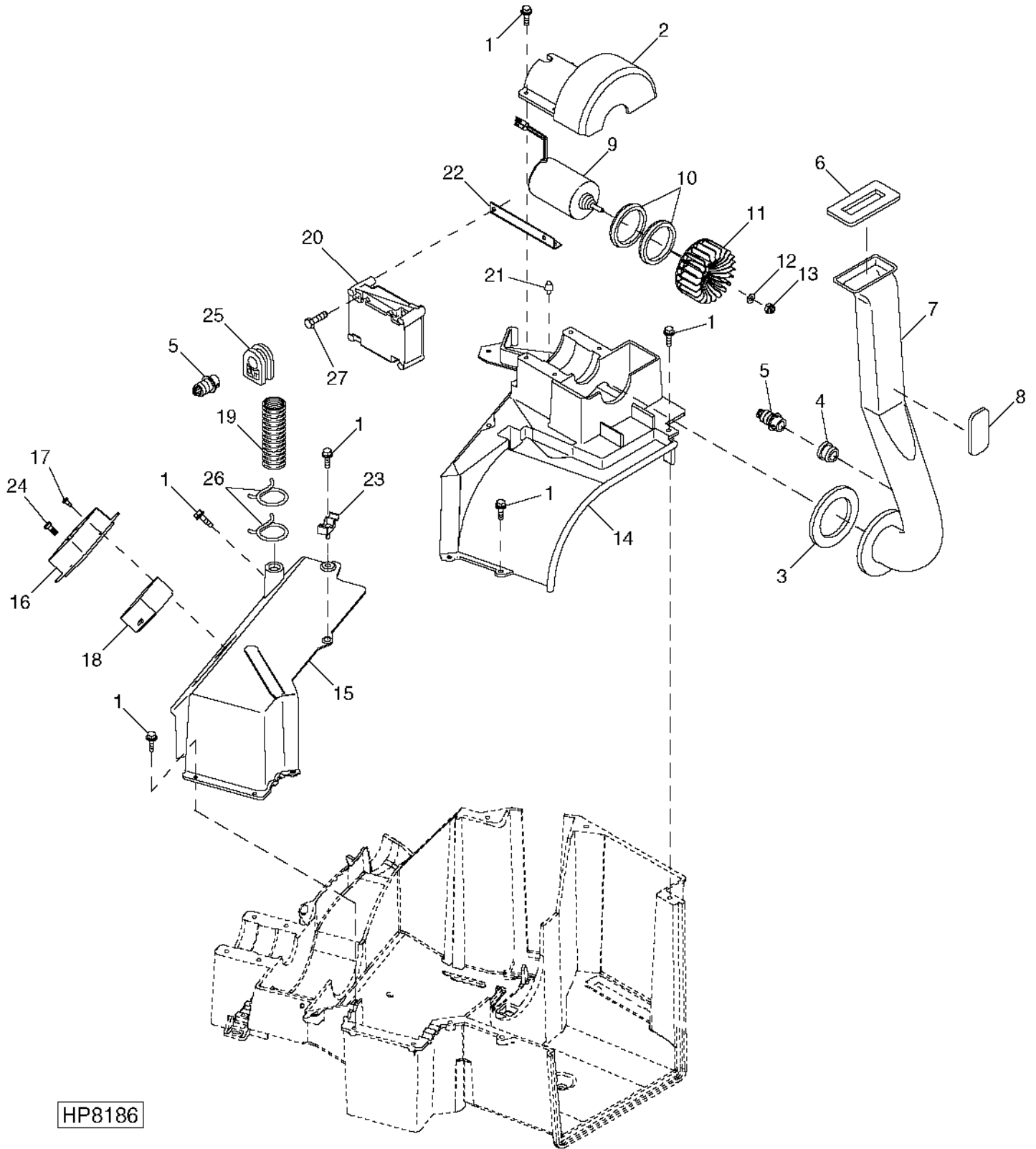
MEMORANDA

MEMORANDA

3D2

AIR CONDITIONING AND HEATER HOUSING, UPPER

HP8186 -UN-23JUL99



HP8186

3D3

AIR CONDITIONING AND HEATING

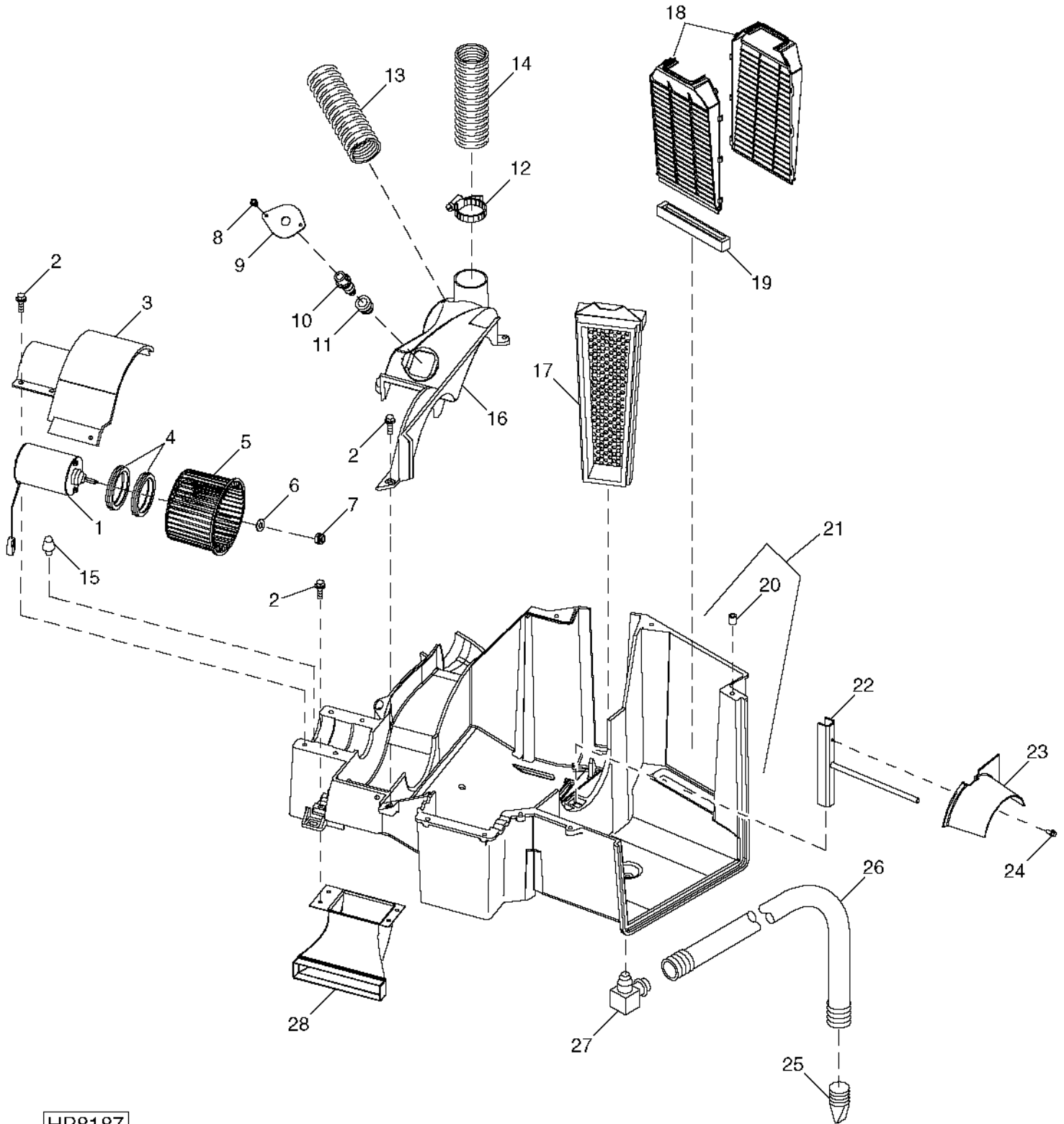
AIR CONDITIONING AND HEATER HOUSING, UPPER - CONTINUED

KEY	PART NO.	PART NAME	QTY	SERIAL NO.	0 H	REMARKS
					9	
					5	
					9 5	
					5 0	
					5 S	
					0 H	
1	19M7862	SCREW	AR		X X	M6 X 20
	19M7796	SCREW	AR		X X	M6 X 30
2	H115031	COVER	1		X X	PRESSURE BLOWER
3	H163397	SEAL	1		X X	
4	H159144	GROMMET	1		X X	
5	RE65815	SENSOR	2		X X	TEMPERATURE
6	H153438	SEAL	1		X X	(CUT FROM H88773)
7	H166179	AIR DUCT	1		X X	INTAKE
8	H159743	FOAM PAD	1		X X	
9	AH128925	BLOWER MOTOR	1		X X	PRESSURE BLOWER
10	H115521	ISOLATOR	2		X X	
11	H124185	FAN	1		X X	
12	24M7117	WASHER	AR		X X	
13	14M7264	LOCK NUT	AR		X X	M4
14	AH163596	HOUSING	1		X X	UPPER, L.H.
15	H168986	HOUSING	1		X X	UPPER, CENTER
16	H169087	FRAME	1		X X	BLOWER MOTOR DRIVER
17	37M7067	SCREW	3		X X	
18	RE153074	DRIVER	1		X X	MOTOR
19	H164702	HOSE	1		X X	AMBIENT AIR
20	AH165591	CIRCUIT BOX	1		X X	(SUB AH169642) ATC
	AH169642	CONTROL	1		X X	
21	H129887	ISOLATOR	1		X X	MOTOR GUIDE
22	H163498	BRACKET	1		X X	ATC CONTROLLER MTG
23	H158830	CLIP	1		X X	
24	21M7250	SCREW	2		X X	M4 X 12, MOTOR DRIVER TO FRAME
25	H170833	GROMMET	1		X X	
26	M18356	CLAMP	2		X X	
27	19M8786	SCREW	2		X X	M6 X 70

3D4

AIR CONDITIONING AND HEATER HOUSING, LOWER

HP8187 -UN-08JUL99



HP8187

3D5

AIR CONDITIONING AND HEATING

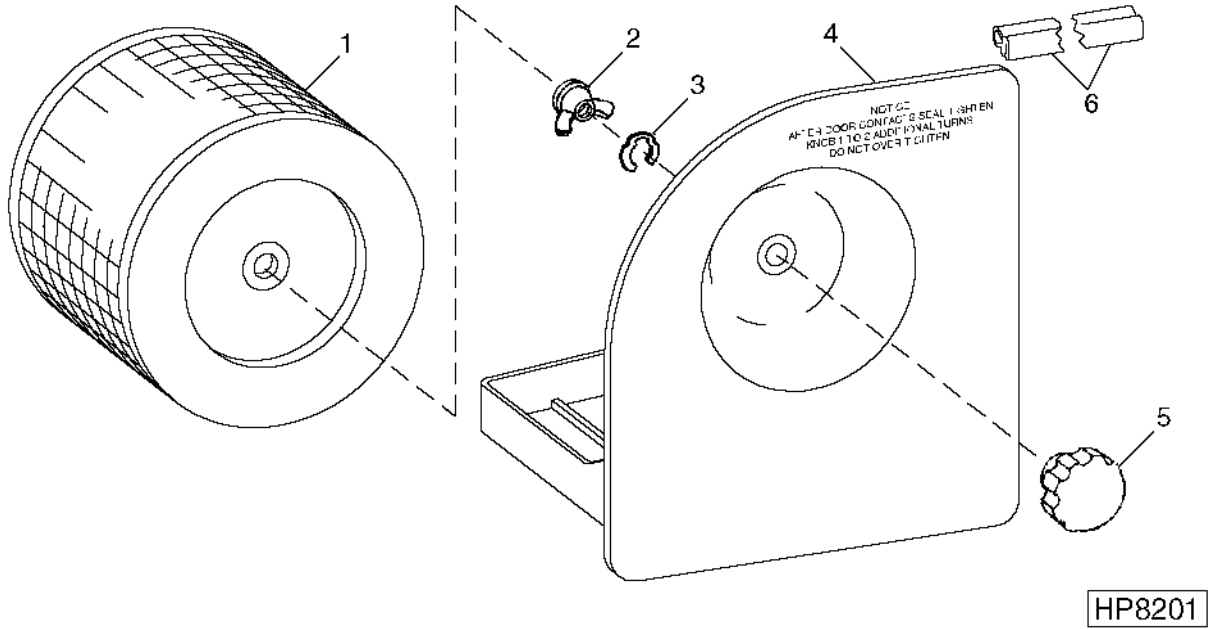
AIR CONDITIONING AND HEATER HOUSING, LOWER - CONTINUED

KEY	PART NO.	PART NAME	QTY	SERIAL NO.	9 5 9 5 5 0 5 S 0 H	REMARKS
1	AH155852	BLOWER MOTOR	1		X X	RECIRCULATION BLOWER
2	19M7862	SCREW	AR		X X	
3	H126590	COVER	1		X X	RECIRCULATION BLOWER
4	H115521	ISOLATOR	2		X X	
5	H114046	BLOWER FAN	1		X X	
6	24M7117	WASHER	AR		X X	
7	14M7264	LOCK NUT	AR		X X	M4
8	H123998	SCREW	AR		X X	
9	H153349	PLATE	1		X X	MOUNTING
10	RE65815	SENSOR	1		X X	TEMPERATURE
11	R159807	GROMMET	1		X X	
12	AR21999	HOSE CLAMP	2		X X	
13	H118871	LINE	1		X X	R.H.
14	H118872	LINE	1		X X	REAR
15	H129887	ISOLATOR	1		X X	MOTOR GUIDE
16	H158525	HOUSING	1	-685766	X X	EVAPORATOR, UPPER R.H.
	H173793	HOUSING	1	685767-	X X	
17	AH115836	AIR FILTER	1		X X	RECIRCULATION
18	H114142	PRESCREENER	2		X X	
19	H118619	SEAL	1		X X	
20	H119362	INSERT	21		X X	
21	AH163317	HOUSING	1		X X	LOWER
22	AH134884	SUPPORT	1		X X	FILTER
23	H127978	DUST SHIELD	1		X X	
24	37M7089	SCREW	AR		X X	M6 X 12
25	H150385	CHECK VALVE	1		X X	
26	H159636	TUBE	1		X X	
27	H146429	FITTING	1		X X	
28	H126589	AIR DUCT	1		X X	BLOWER

3D6

AIR CONDITIONING AND HEATING

CAB AIR FILTER AND HOUSING
HP8201 -UN-27JUL99



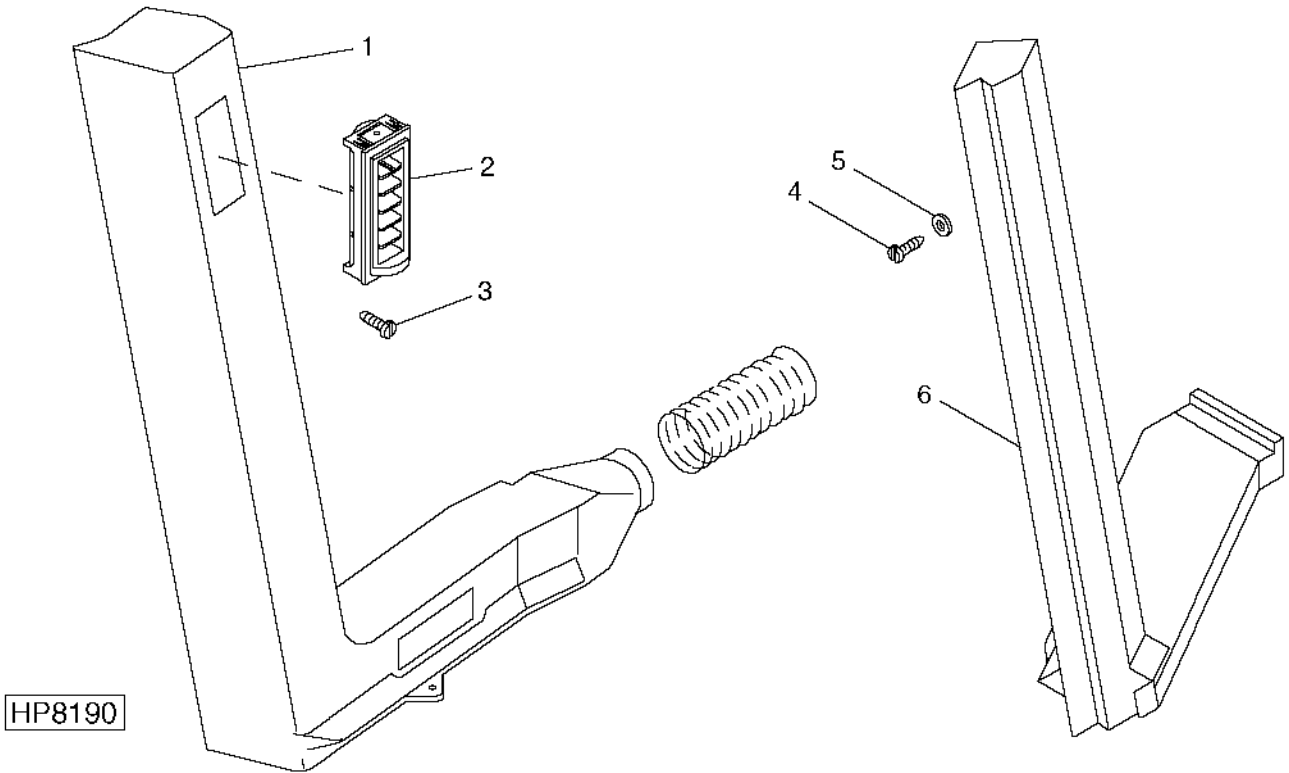
KEY	PART NO.	PART NAME	QTY	SERIAL NO.	REMARKS
1	AH115833	AIR FILTER	1		
	AH168783	AIR FILTER	1		HEAVY DUTY
2	AH132783	NUT	1		M10
3	R58806	SNAP RING	1		
4	AH120419	DOOR	1		DECAL IS NOW EMBOSSED RIGHT ON DOOR
5	AH120446	KNOB	1		
6	AH80335	WEATHERSTRIP	1		
..	H150119	LABEL	1		"CHECK PRECLEANER AND PRECLEANER OPENING IN FLOOR (50 HRS)"

3D7

AIR CONDITIONING AND HEATING

AIR CONDITIONING AND HEATER DUCTS

HP8190 -UN-27JUL99



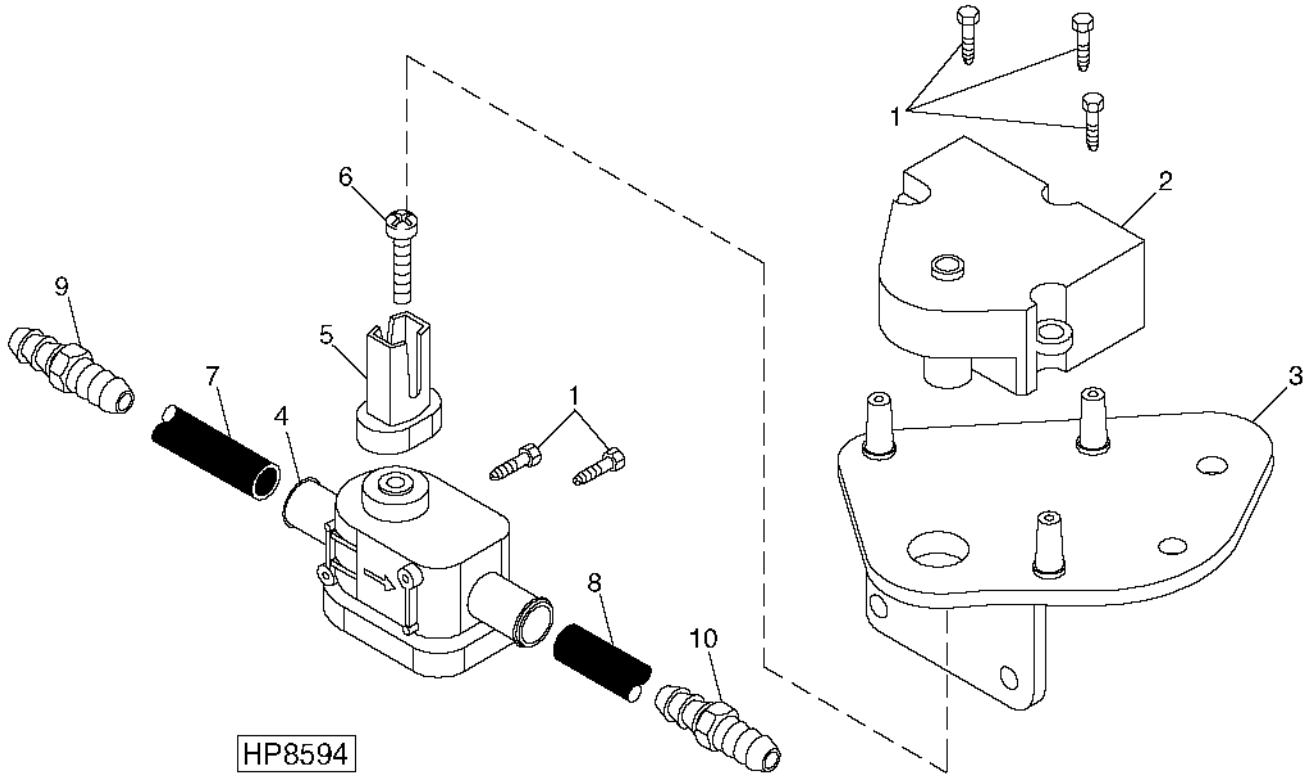
9
5
9 5
5 0
5 S
0 H

KEY	PART NO.	PART NAME	QTY	SERIAL NO.	REMARKS
1	H168870	AIR DUCT	1	X X	R.H.
2	AH149228	LOUVER	6	X X	
3	37M7160	SCREW	1	X X	M6 X 16
4	H165691	SCREW	1	X X	M6 X 20
5	H91315	WASHER	1	X X	5.842 X 14.224 X 2.540 MM
6	H168871	HOUSING	1	X X	L.H.

3D8

AIR CONDITIONING SYSTEM - WATER VALVE ASSEMBLY

HP8594 -UN-20MAY99



9
5
9 5
5 0
5 S
0 H

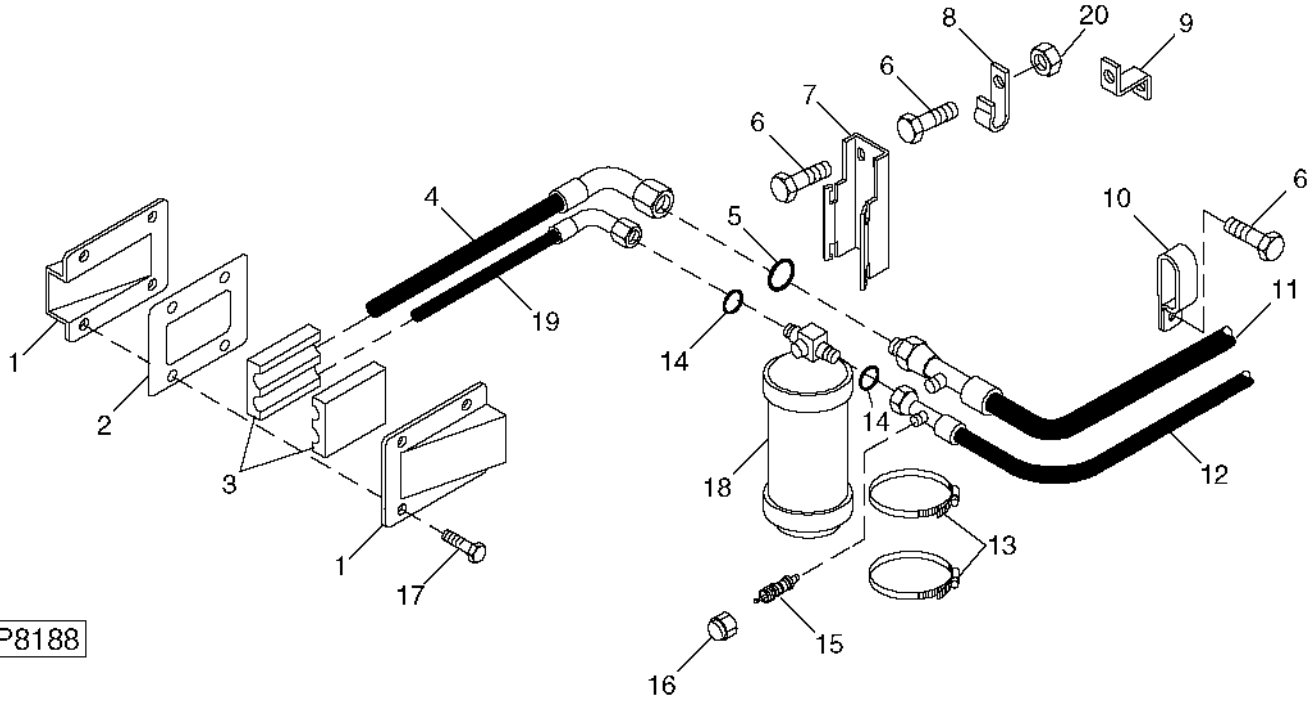
KEY	PART NO.	PART NAME	QTY	SERIAL NO.	REMARKS
1	37H43	SCREW	5	X X	
2	RE154319	ACTUATOR	1	X X	
3	H163391	BRACKET	1	X X	
4	RE154318	VALVE	1	X X	
5	R154320	ADAPTER	1	X X	
6	H110842	SCREW	1	X X	
7	H153888	HYDRAULIC HOSE	1	X X	15.9MM X 340MM (5/8" X 13.4")
8	H153889	HOSE	1	X X	15.9MM X 1500MM (5/8" X 59")
9	H153721	COUPLING	1	X X	
10	H153722	COUPLING	1	X X	

3D9

AIR CONDITIONING AND HEATING

AIR CONDITIONING SYSTEM - RECEIVER-DRYER

HP8188 -UN-28MAY99



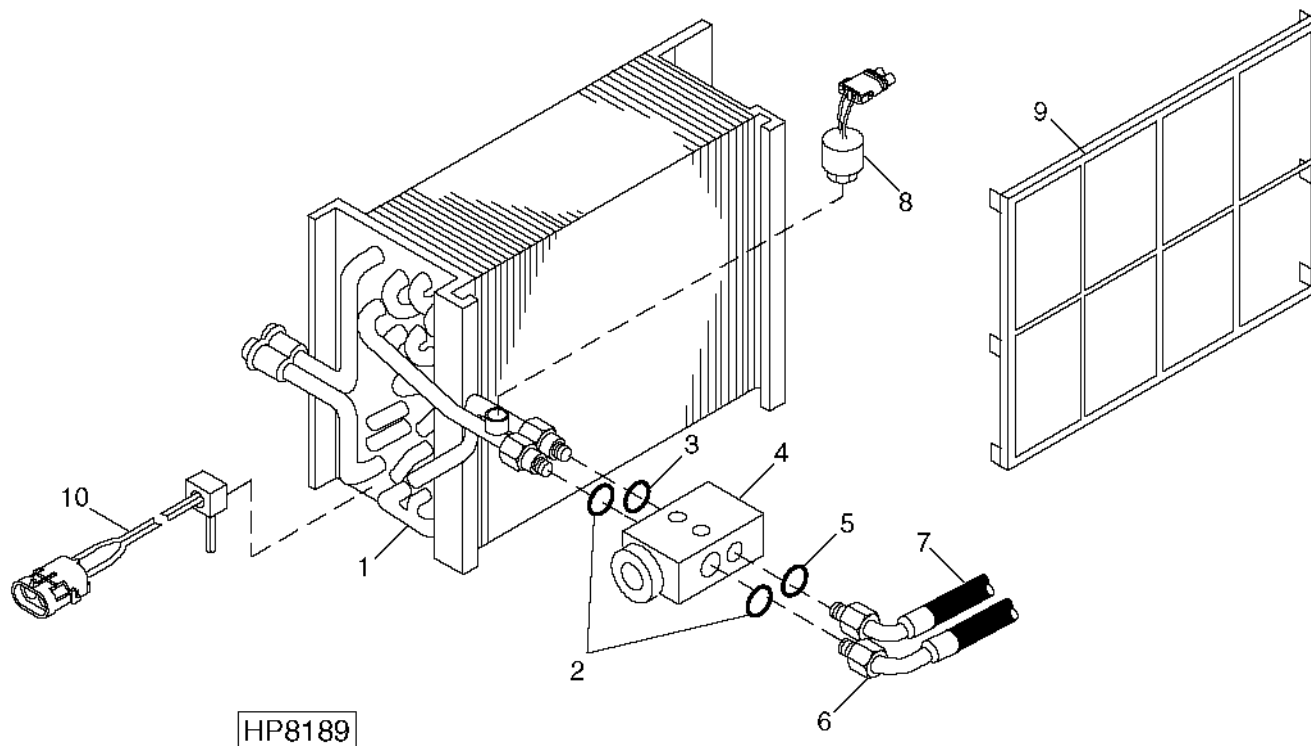
HP8188

KEY	PART NO.	PART NAME	QTY	SERIAL NO.	REMARKS
				9	
				5	
				9 5	
				5 0	
				5 S	
				0 H	
1	H129606	RETAINER	2	X X	
2	H114525	GASKET	1	X X	
3	H114523	SEAL	2	X X	
4	AH127685	HOSE	1	X X	7/8" X 912 MM X 7/8", SUCTION
5	R33259	O-RING	1	X X	0.551" X 0.070"
6	19M7865	SCREW	4	X X	M8 X 16
7	H136541	HOSE SUPPORT	1	X X	
8	AH77724	CLIP	1	X X	
9	H132538	HOSE SUPPORT	1	X X	
10	AH77869	CLIP	1	X X	
11	AH158180	HOSE	1	X X	A/C SUCTION
12	AH159026	REFRIGERANT HOSE	1	X X	A/C LIQUID
13	AR21842	CLAMP	2	X X	
14	R10093	O-RING	1	X X	7.645 X 1.778 MM
15	R60170	VALVE	1	X X	
16	R120955	CAP	1	X X	
17	37M7090	SCREW	2	X X	M6 X 16
18	AH137486	RECEIVER-DRYER	2	X X	
19	AH127684	HOSE	1	X X	LIQUID
20	14M7298	FLANGE NUT	1	X X	M8
..	R120956	CAP	1	X X	

3D10

AIR CONDITIONING SYSTEM - EVAPORATOR HEATER

HP8189 -UN-01FEB99



9
5
9 5
5 0
5 S
0 H

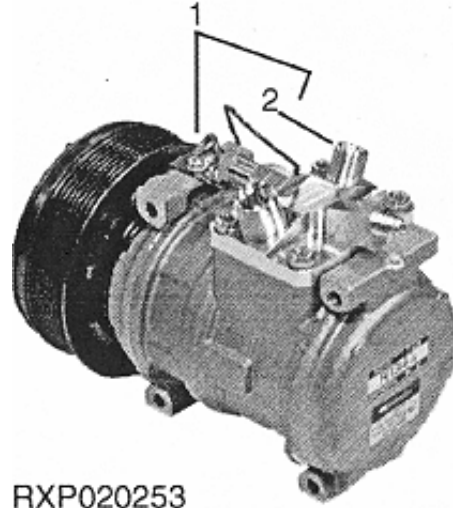
KEY	PART NO.	PART NAME	QTY	SERIAL NO.	REMARKS
1	AH150260	EVAPORATOR	1	X X	HEATER
2	R33259	O-RING	2	X X	0.551" X 0.070"
3	R113050	RING	1	X X	
4	AH137702	VALVE	1	X X	
5	R10093	O-RING	1	X X	
6	AH127684	HOSE	1	X X	
7	AH127685	HOSE	1	X X	
8	AH144084	SWITCH	1	X X	LOW PRESSURE, A/C
9	AH120547	FILTER	1	X X	EVAPORATOR HEATER
10	RE65814	SENSOR	1	X X	EVAPORATOR TEMPERATURE

3D11

AIR CONDITIONING AND HEATING

AIR CONDITIONING COMPRESSOR (FOR R134A REFRIGERANT)

RXP020253 -UN-01JAN94



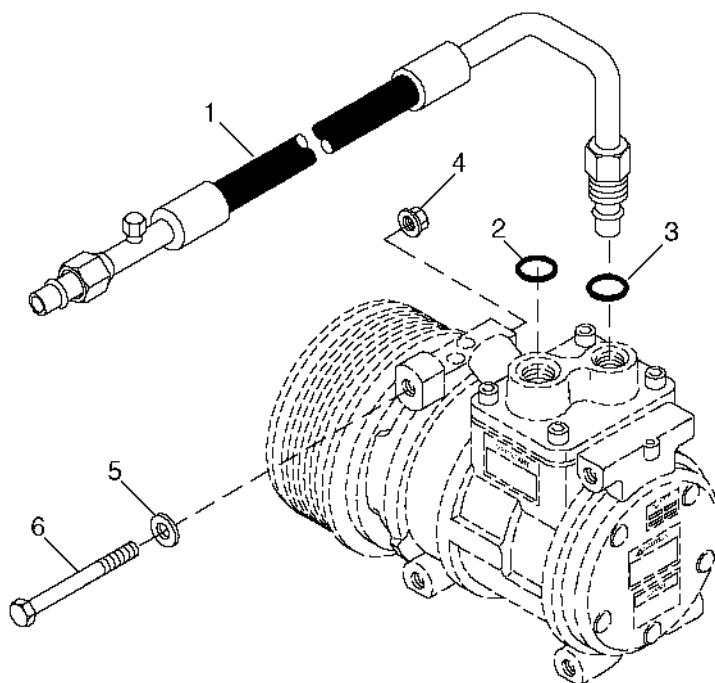
RXP020253

KEY	PART NO.	PART NAME	QTY	SERIAL NO.	9 5 9 5 5 0 5 S 0 H	REMARKS
1	RE52454	COMPRESSOR	1		X X	(WITHOUT CLUTCH)
2	RE51052	MANIFOLD	1		X X	(WITH SEAL)
..	R115742	SEAL	1		X X	
..	TY22101	OIL	1		X X	(SUB FOR TY22025)
..	TY15949	REFRIGERANT	1		X X	12 LBS
..	TY15950	REFRIGERANT	1		X X	15 LBS
..	TY15951	REFRIGERANT	1		X X	30 LBS
..	RE46609	COMPRESSOR	1		X X	COMPLETE
..	TY6764	COMPRESSOR	1		X X	(REMANUFACTURED)

3D12

AIR CONDITIONING COMPRESSOR HOSE

HP9077 -UN-17SEP99



HP9077

9
5
9 5
5 0
5 S
0 H

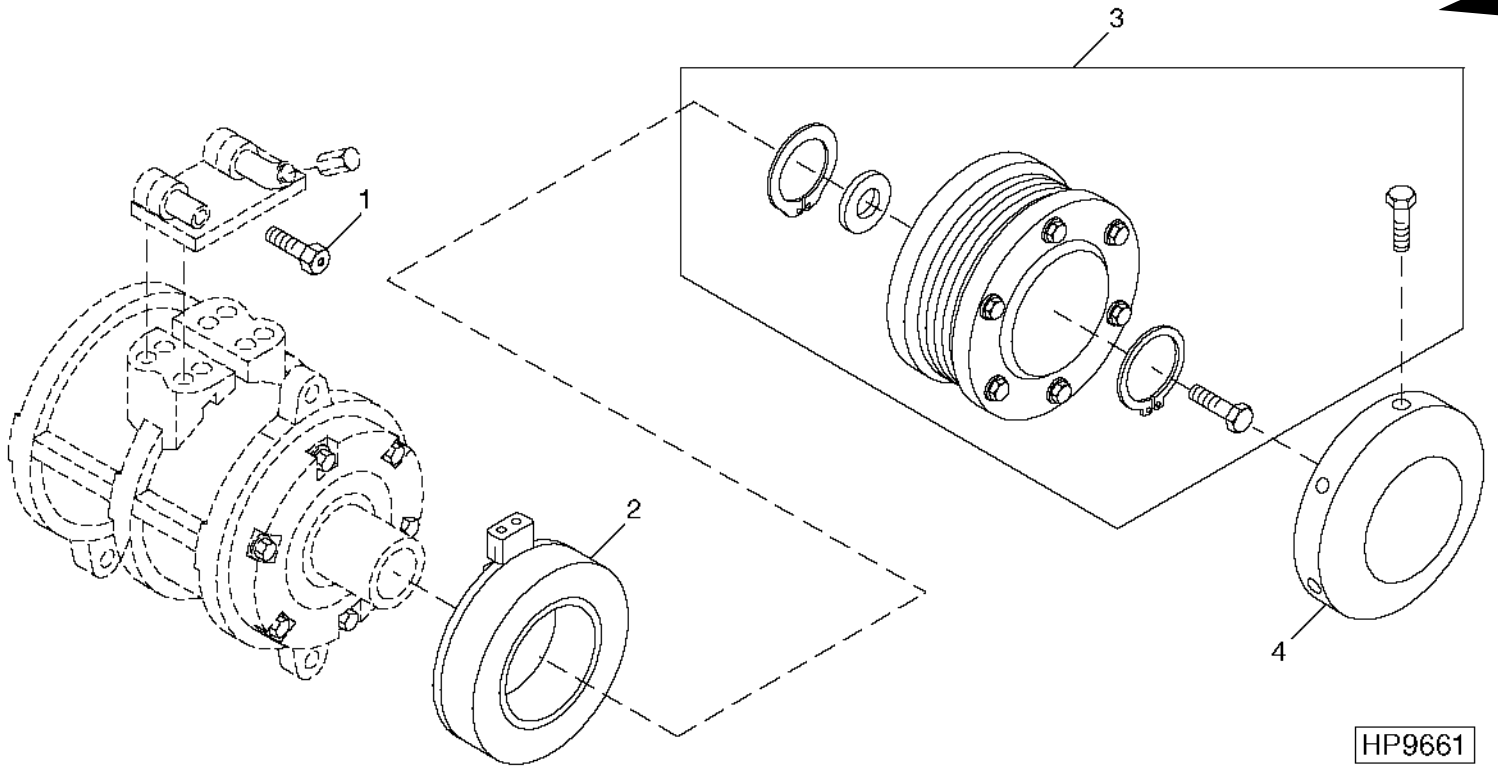
KEY	PART NO.	PART NAME	QTY	SERIAL NO.	REMARKS
1	AH159078	REFRIGERANT HOSE	1		X X A/C PRESSURE
2	R113050	RING	AR		X X ON PRESSURE PORT
3	R33259	O-RING	AR		X X ON SUCTION PORT
4	34M7189	SPRING PIN	3		X X 11 X 8 MM
5	24M7238	WASHER	3		X X 8.700 X 17 X 2 MM
6	19M7913	SCREW	3		X X M8 X 90

3D13

AIR CONDITIONING AND HEATING

COMPRESSOR CLUTCH AND SERVICE VALVES (FOR R134A REFRIGERANT)

HP9661 -UN-30MAR00



HP9661

KEY	PART NO.	PART NAME	QTY	SERIAL NO.	REMARKS
1	RE52506	VALVE	1		
2	RE52510	STATOR	1		(WITH O-RING)
3	RE52508	KIT	4		CLUTCH
4	R115743	COVER	1		

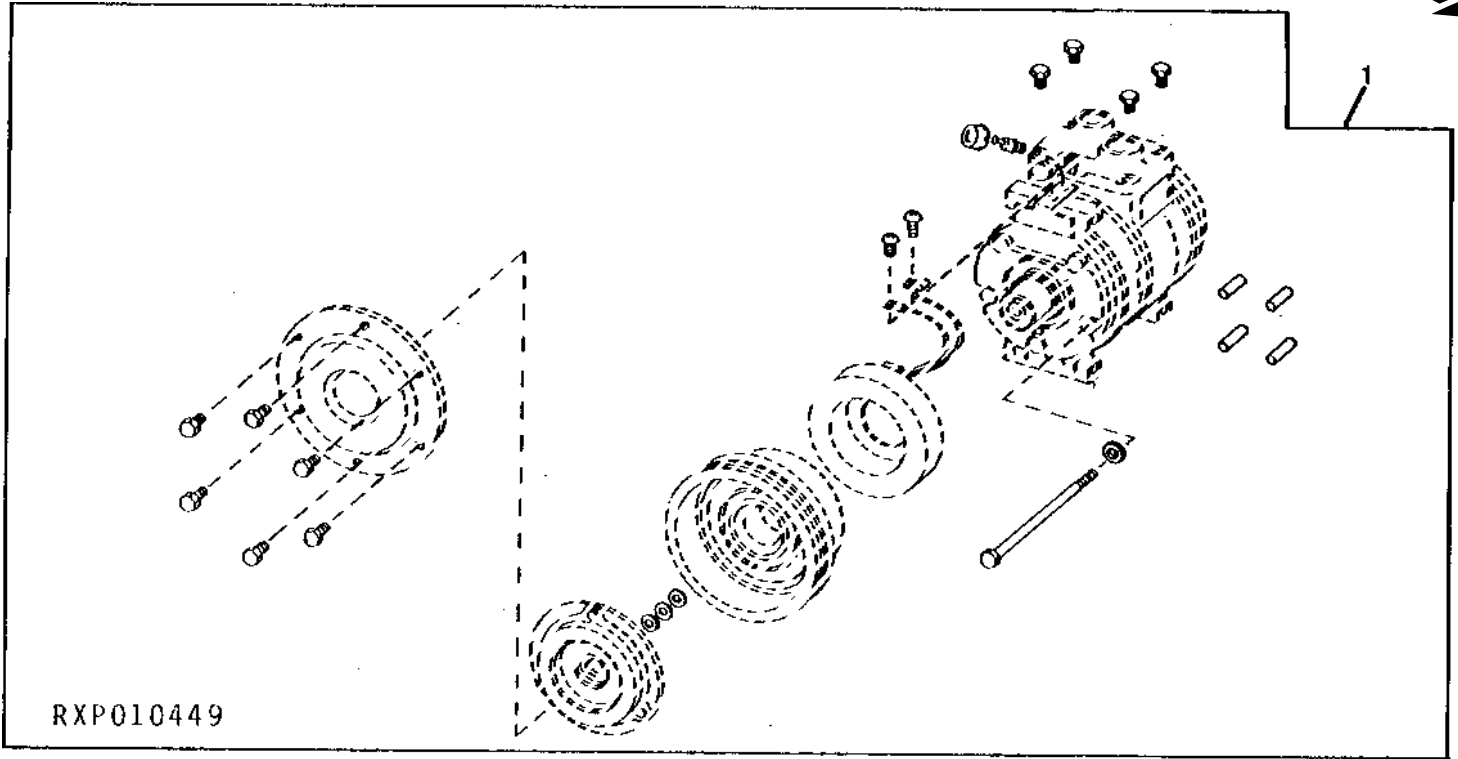
9
5
9 5
5 0
5 S
0 H

3D14

AIR CONDITIONING AND HEATING

COMPRESSOR HARDWARE SET (FOR R134A REFRIGERANT)

RXP010449 -UN-01JAN94



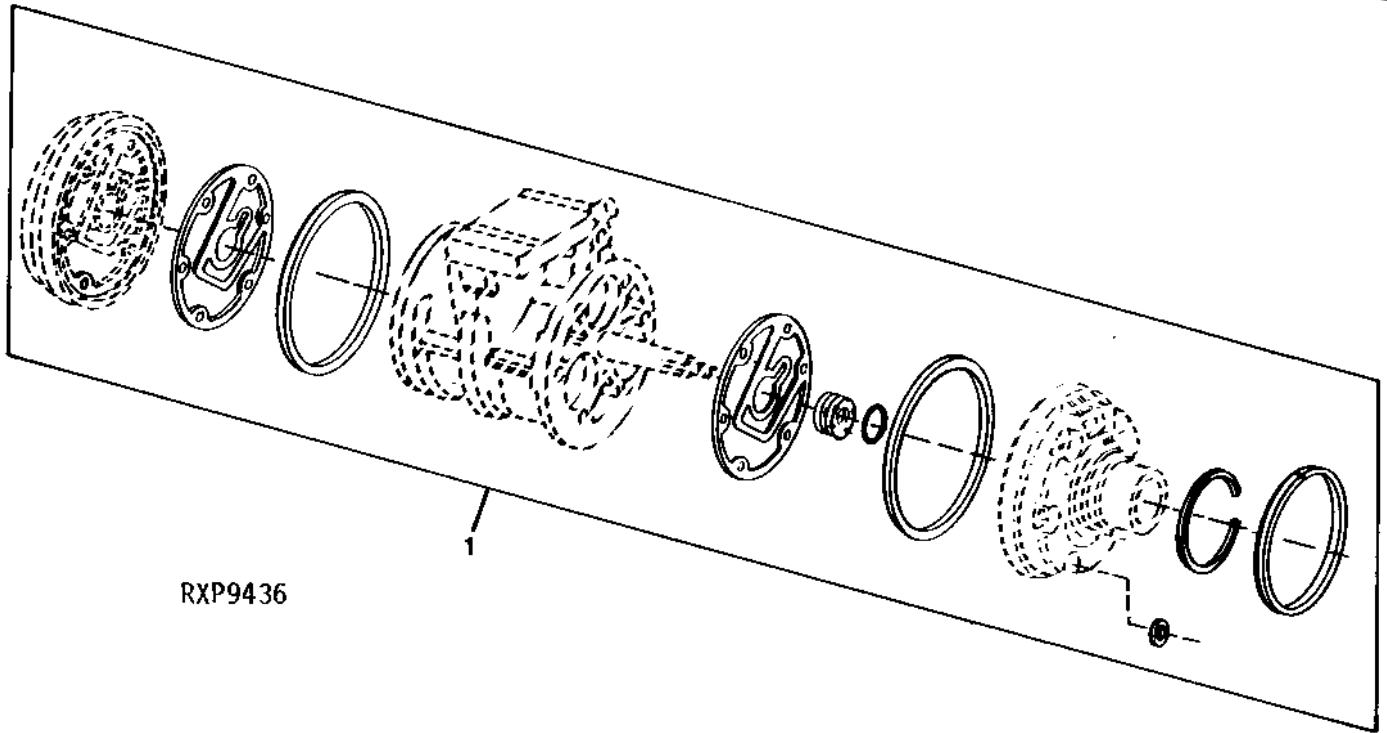
KEY	PART NO.	PART NAME	QTY	SERIAL NO.	REMARKS
1	RE52507	KIT	1	95505S0H	X X

3D15

AIR CONDITIONING AND HEATING

COMPRESSOR PARTS (FOR R134A REFRIGERANT)

RXP9436 -UN-01JAN94



RXP9436

KEY	PART NO.	PART NAME	QTY	SERIAL NO.	REMARKS
1	RE52509	SEAL KIT	1	9550SH	X X

MEMORANDA

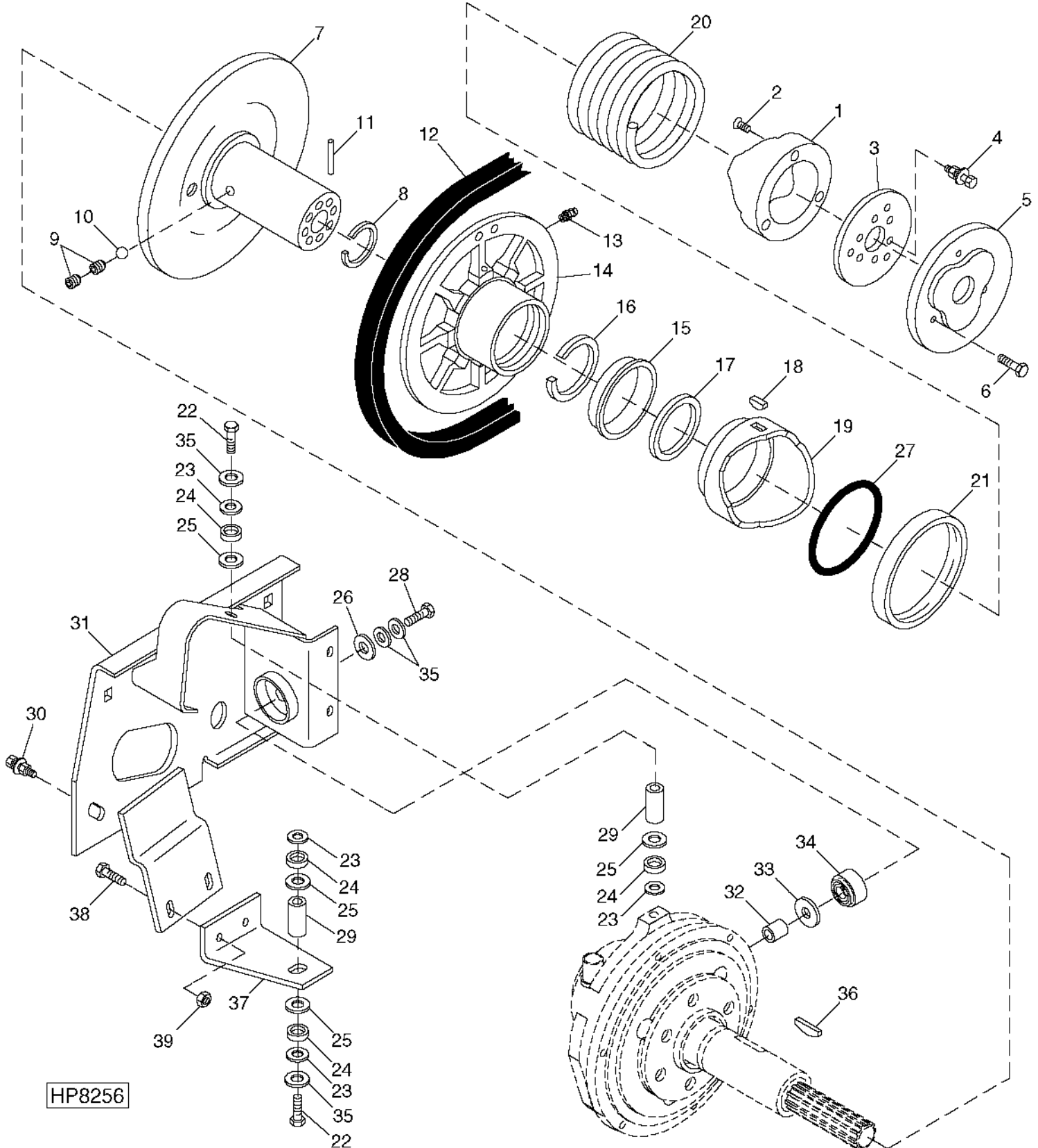
MEMORANDA

3D19

FEEDER HOUSE

FRONT VARIABLE DRIVE SHEAVE AND MOUNTINGS

HP8256 -UN-12JUL99



HP8256

FRONT VARIABLE DRIVE SHEAVE AND MOUNTINGS - CONTINUED

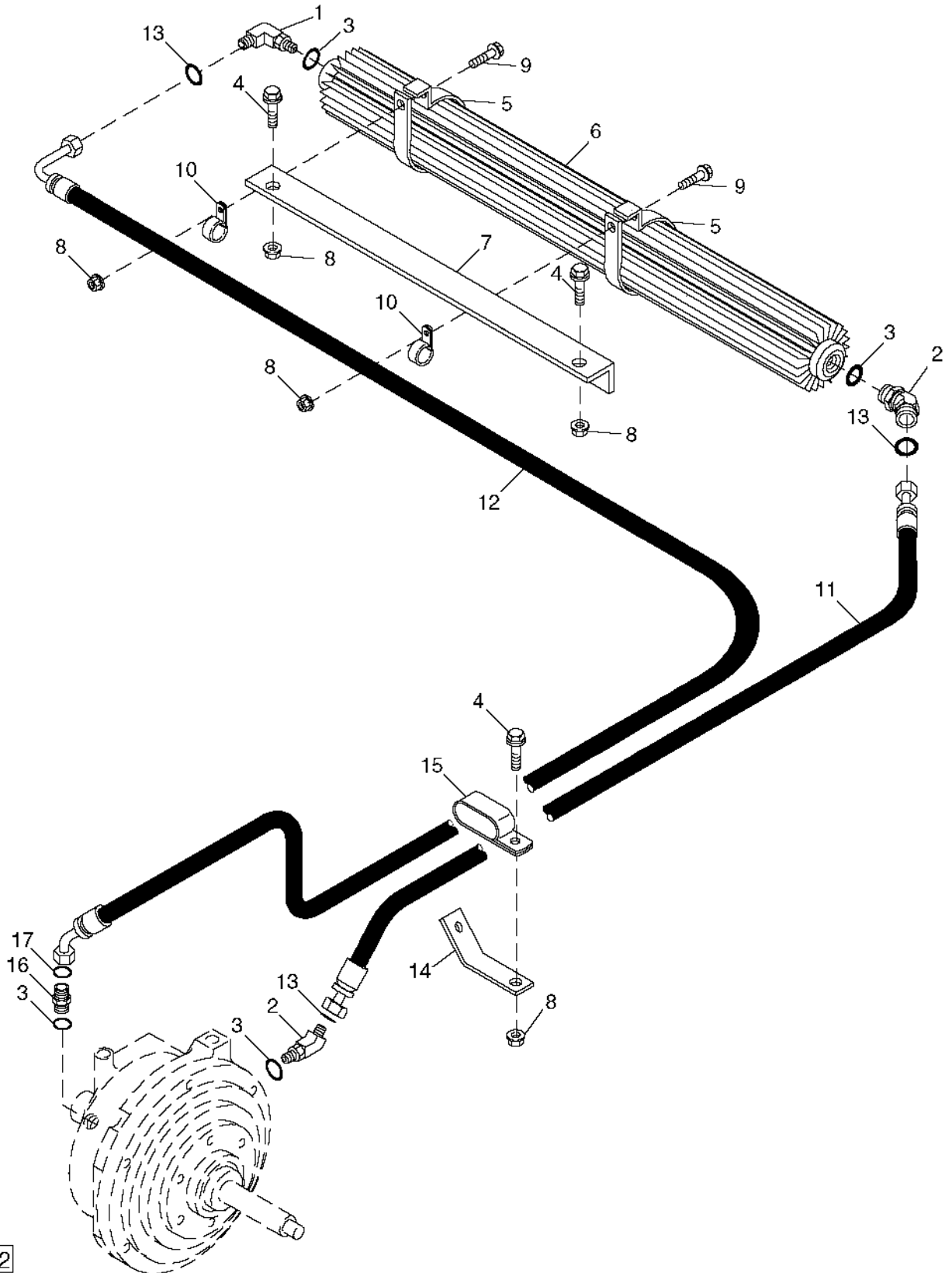
KEY	PART NO.	PART NAME	QTY	SERIAL NO.	9 5 9 5 5 0 5 S 0 H		REMARKS
1	CAM	1		X	X	(A) OUTER
2	32243	PLUG	1		X	X	
3	H170645	SPACER	1		X	X	
4	19M7938	CAP SCREW	6		X	X	M10 X 20
	12M7135	LOCK WASHER	6		X	X	10.200 MM
5	H155459	RETAINER	1		X	X	
6	19M9042	SCREW	3		X	X	(A) M10 X 80
	12M7135	LOCK WASHER	3		X	X	(A) 10.200 MM
7	H158575	SHEAVE	1		X		(H) 318 MM
	H168126	SHEAVE	1		X	X	(S) 318 MM
8	B3118R	SNAP RING	1		X	X	
9	22H775	SET SCREW	2		X	X	
10	H110922	BALL	1		X	X	
11	34M7255	SPRING PIN	1		X	X	6 X 50 MM
12	H156863	BELT	1		X		(H)
	H161648	BELT	1		X	X	(S)
13	JD7798	LUBRICATION FITTING	2		X	X	
14	AH160615	SHEAVE	1		X		(H)
	AH157933	SHEAVE	1		X	X	(S)
15	H110728	RETAINER	1		X	X	
16	H97308	SNAP RING	1		X	X	
17	AH108161	SEAL	1		X	X	
18	26H104	SHAFT KEY	2		X		(H)
	26H104	SHAFT KEY	1		X	X	(S)
19	CAM	1		X		(A) INNER
20	H172267	SPRING	1		X	X	
21	AH96345	SEAL	1		X	X	
22	19M7826	SCREW	2		X		(H) M16 X 70
	19M7826	SCREW	1		X	X	(S) M16 X 70
23	H163726	WASHER	5		X		(H)
	H163726	WASHER	3		X	X	(S)
24	H148132	BUSHING	4		X		(H)
	H148132	BUSHING	2		X	X	(S)
25	H148133	RETAINER	4		X		(H)
	H148133	RETAINER	2		X	X	
26	14M7299	FLANGE NUT	2		X		(H)
27	GASKET	1		X	X	
28	19M7845	SCREW	1		X		M16 X 90
29	H148134	SPACER	1		X	X	
30	03M7191	BOLT	4		X	X	M10 X 25
	14M7296	FLANGE NUT	5		X	X	M10
	03M7192	BOLT	1		X	X	M10 X 30
31	AH150451	SUPPORT	1		X	X	
32	H95417	SPACER	1		X	X	
33	H97410	WASHER	1		X	X	
34	R62502	SUPPORT	1		X	X	
35	24M7241	WASHER	4		X		(H)
	24M7241	WASHER	2		X	X	(S)
36	Z61818	SHAFT KEY	1		X		(H)
	26H104	SHAFT KEY	2		X	X	(S)
37	H159818	BRACKET	1		X		(H)
38	03M7198	BOLT	2		X		(H) M12 X 30
..	TY6333	GREASE	1		X	X	14 OZ. TUBE
..	AH154890	KIT	1		X	X	INCLUDES PARTS MARKED (A)

(H) HI CAPACITY
(S) STANDARD CAPACITY

3D21

FEEDER HOUSE

FEEDER HOUSE GEARCASE OIL COOLER AND HOSES
HP8052 -UN-09MAR99



HP8052

FEEDER HOUSE GEARCASE OIL COOLER AND HOSES - CONTINUED

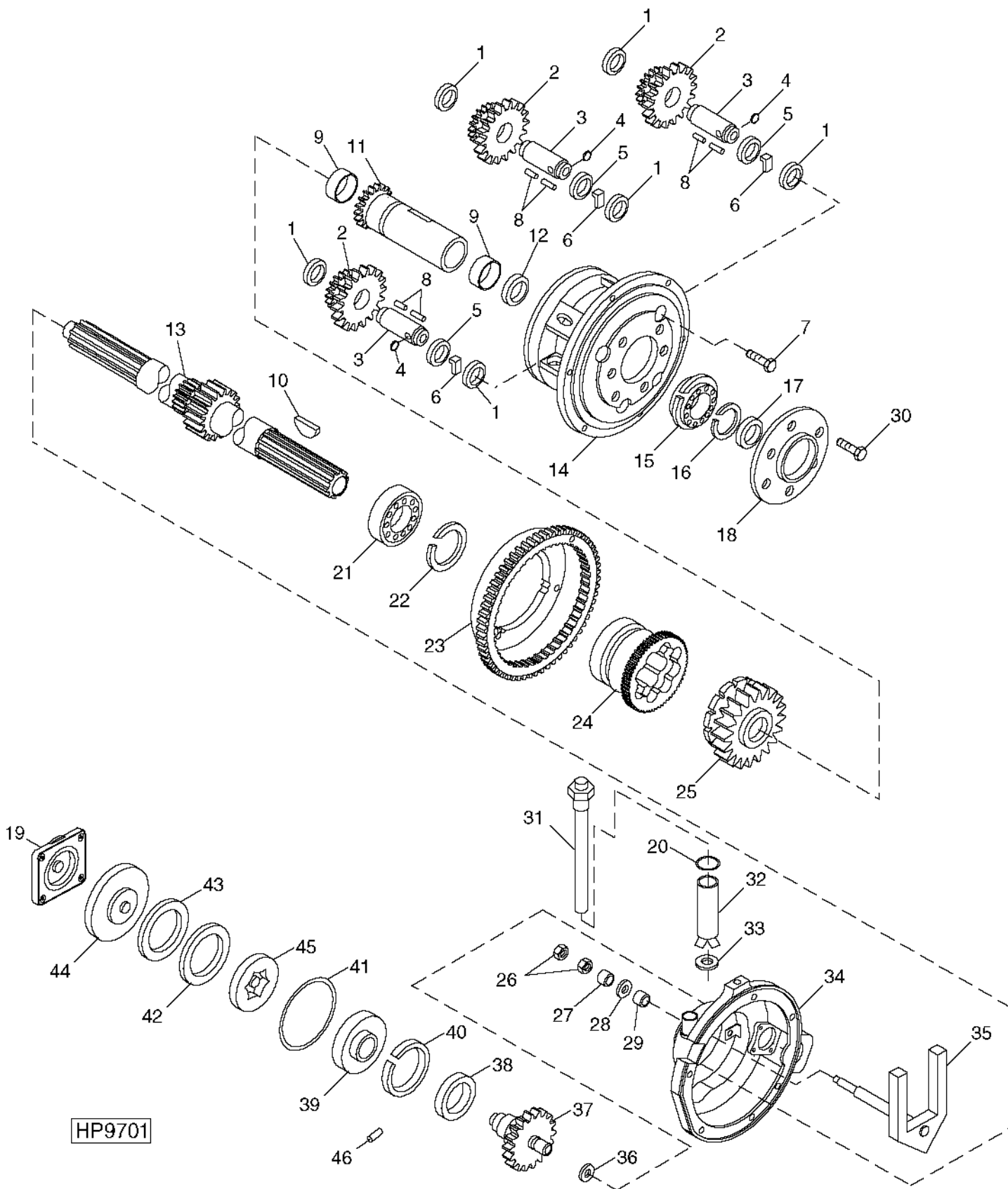
KEY	PART NO.	PART NAME	QTY	SERIAL NO.	9 5 9 5 5 0 5 S 0 H	REMARKS
1	38H1005	ELBOW FITTING	1		X	
2	38H1046	ELBOW FITTING	2		X	
3	R26375	O-RING	4		X	
4	19M7866	SCREW	3		X	M8 X 20
5	R111156	CLIP	2		X	
6	AH150687	OIL COOLER	1		X	
7	H163182	ANGLE	1		X	
8	14M7298	FLANGE NUT	5		X	M8
9	19M7800	SCREW	2		X	M8 X 50
10	AH89486	CLIP	2		X	
11	AH156475	HYDRAULIC HOSE	1		X	
12	AH156476	HYDRAULIC HOSE	1		X	
13	T77857	O-RING	3		X	
14	H163604	BRACKET	1		X	
15	AH97280	CLIP	1		X	
16	38H1171	ADAPTER	1		X	
17	T77613	O-RING	1		X	

3D23

FEEDER HOUSE

REVERSER GEAR BOX (HI CAPACITY)

HP9701 -UN-17APR00



3D24

FEEDER HOUSE

REVERSER GEAR BOX (HI CAPACITY) - CONTINUED

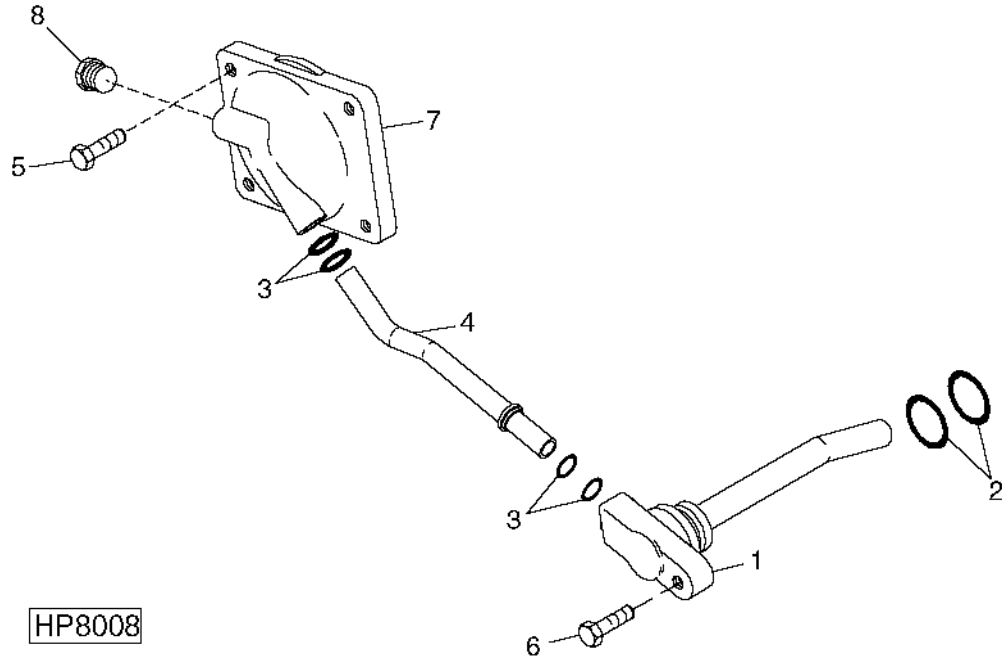
KEY	PART NO.	PART NAME	QTY	SERIAL NO.	0 H	REMARKS
					9	
					5	
					9	
					5	
					5	
					0	
					S	
					5	
					S	
					0	
					H	
1	R66197	THRUST WASHER	6		X	
2	Z12714	RING GEAR	3		X	
3	Z61813	SHAFT	3		X	
4	H871R	BALL	3		X	
5	R33088	WASHER	3		X	
6	H89617	SPACER	3		X	
7	19M7166	CAP SCREW	6		X	M10 X 20
8	Z61817	PIN	174		X	(6 SETS OF 29)
9	AH150686	NEEDLE BEARING	2		X	
10	Z61818	SHAFT KEY	1		X	WOODRUFF
11	H160953	GEAR	1		X	INPUT
12	E53699	SEAL	1		X	
13	AH168046	SHAFT	1		X	(SUB FOR AH163895)
14	H156091	COVER	1		X	
15	AZ49013	BALL BEARING	1		X	
16	R39081	SNAP RING	2		X	
17	AZ49370	SEAL	2		X	
18	Z12851	COVER	1		X	
19	H156095	HOUSING	1		X	
20	R26375	O-RING	1		X	
21	AZ49371	BALL BEARING	1		X	
22	Z62549	SNAP RING	1		X	
23	AH148894	RING GEAR	1		X	
24	Z62147	COUPLING	1		X	
25	H170781	GEAR	1		X	OUTPUT
26	14H832	NUT	2		X	9/16"
27	28H2499	BUSHING	1		X	18.847 X 26.670 X 15.875 MM
28	24H1378	WASHER	1		X	11/16" X 1-15/32" X 0.134"
29	AN113330	SEAL	1		X	
30	19M7810	SCREW	6		X	M10 X 80
31	AH167602	DIPSTICK	1		X	
32	H140195	SPACER	1		X	
33	R26906	O-RING	1		X	
34	H156090	HOUSING	1		X	
35	AZ51438	SHIFTER	1		X	
36	M800578	BALL BEARING	1		X	
37	H165464	SPUR GEAR	1		X	
38	JD7678	BALL BEARING	1		X	
39	H165463	BEARING	1		X	
40	M1007T	SNAP RING	1		X	
41	U10776	O-RING	1		X	
42	H82233	BUSHING	1		X	
43	H82232	WASHER	1		X	
44	H82234	PLATE	1		X	
45	AH128528	ROTOR	1		X	
46	H75358	DOWEL PIN	1		X	
..	AH159170	GEAR CASE	1		X	3 OZ. SIZE
..	TY9371	ADHESIVE	1		X	

3D25

FEEDER HOUSE

REVERSER GEAR BOX (HI CAPACITY) - CONTINUED

HP8008 -UN-14JAN99



HP8008

9
5
9 5
5 0
5 S
0 H

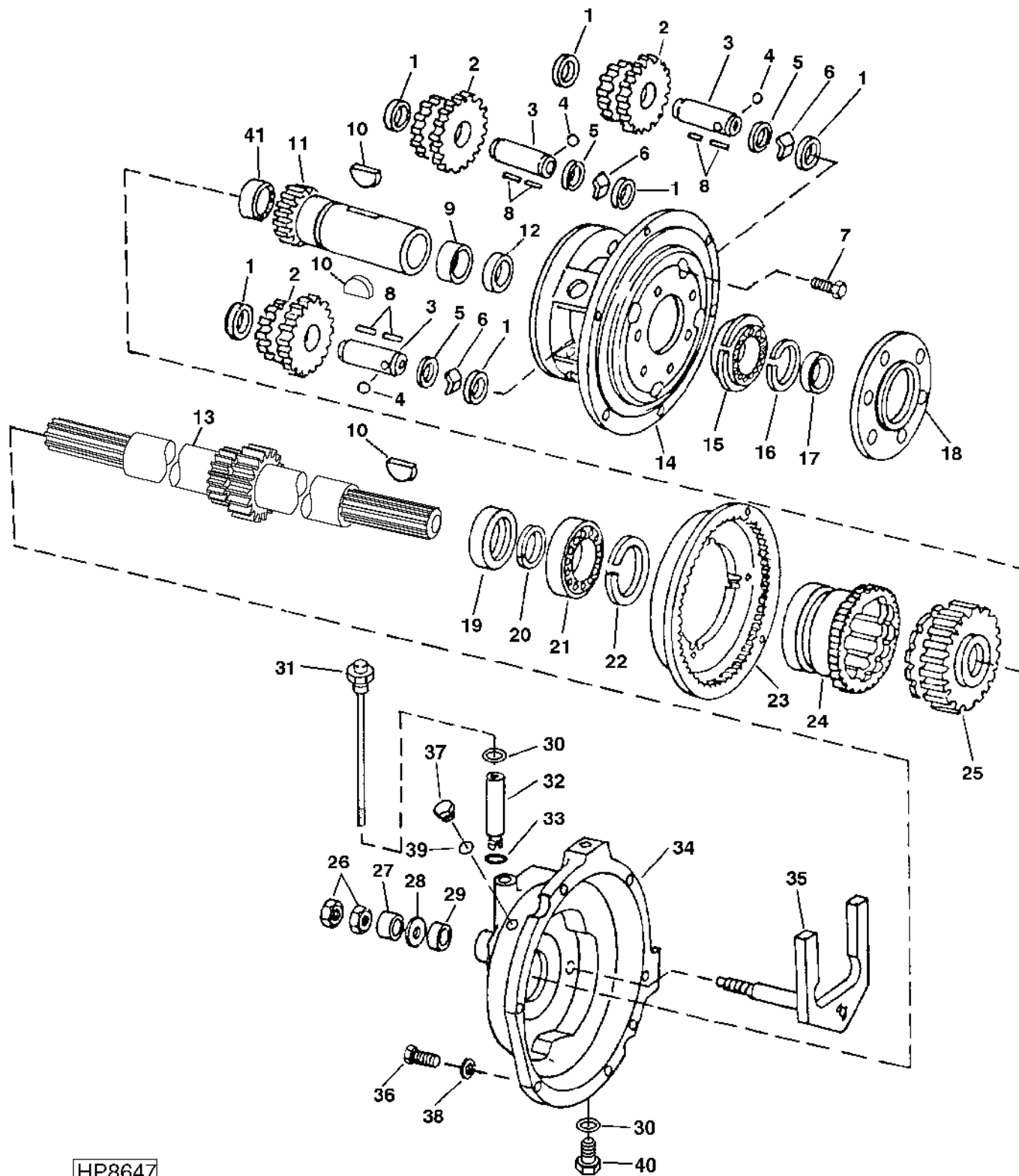
KEY	PART NO.	PART NAME	QTY	SERIAL NO.	REMARKS
1	AH125228	FITTING	1	X	
2	R495R	O-RING	2	X	
3	R394R	O-RING	4	X	
4	H156096	TUBE	1	X	
5	19M7866	SCREW	4	X	M8 X 20
6	19M8162	CAP SCREW	1	X	M10 X 40
7	H156095	HOUSING	1	X	
8	R39112	FITTING	2	X	
..	AH159170	GEAR CASE	1	X	

MEMORANDA

3E1

REVERSER GEAR BOX (STANDARD)

HP8647 -UN-01JUL99



HP8647

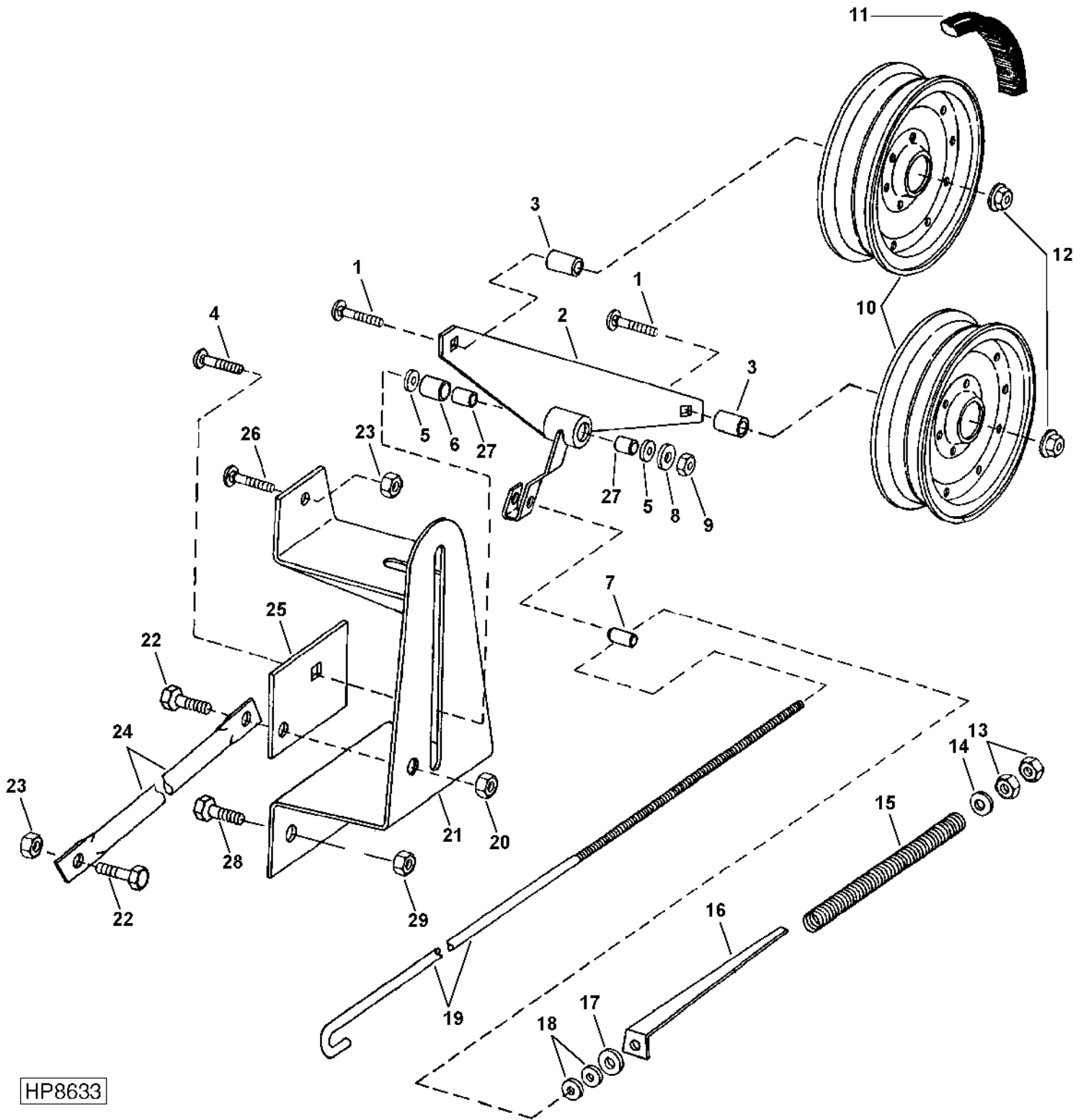
REVERSER GEAR BOX (STANDARD) - CONTINUED

KEY	PART NO.	PART NAME	QTY	SERIAL NO.	9		REMARKS
					0	H	
1	R66197	THRUST WASHER	6		X	X	
2	H168994	PINION	3		X	X	
3	R33079	PIN	3		X	X	
4	H871R	BALL	3		X	X	
5	R33088	WASHER	3		X	X	
6	H89617	SPACER	3		X	X	
7	19M7938	CAP SCREW	6		X	X	M10 X 20
8	R33058	NEEDLE ROLLER	186		X	X	(6 SETS OF 31)
9	AH150686	NEEDLE BEARING	1		X	X	
10	26H104	SHAFT KEY	3		X	X	5/16" X 2-1/8", WOODRUFF
11	H166216	GEAR	1		X	X	INPUT
12	E53699	SEAL	1		X	X	
13	AH152937	SHAFT	1		X		
	AH135606	SHAFT	1			X	
14	H168125	COVER	1		X	X	
15	JD10010	BALL BEARING	1		X	X	
16	R39081	SNAP RING	1		X	X	
17	AH144715	SEAL	1		X	X	
18	H150662	BEARING HOUSING W/O BEARING	1		X	X	
19	AH140185	SEAL	1		X	X	
20	N71922	SNAP RING	1		X	X	
21	JD10011	BALL BEARING	1		X	X	
22	BP13620	SNAP RING	1		X	X	
23	AH105040	GEAR	1		X	X	
24	H132328	SHIFT COLLAR	1		X	X	
25	H106073	GEAR	1		X	X	OUTPUT
26	14H832	NUT	2		X	X	9/16"
27	28H2499	BUSHING	1		X	X	18.847 X 26.670 X 15.875 MM
28	24H1378	WASHER	1		X	X	11/16" X 1-15/32" X 0.134"
29	AN113330	SEAL	1		X	X	
30	R26906	O-RING	2		X	X	
31	AH140615	INDICATOR LIGHT	1		X	X	
32	H140195	SPACER	1		X	X	
33	R26375	O-RING	1		X	X	
34	AH159233	HOUSING	1		X	X	
35	AH93110	SHIFTER	1		X	X	
36	19M7402	CAP SCREW	6		X	X	M10 X 25
37	R27218	FITTING PLUG	1	-685425	X		
	R27218	FITTING PLUG	1	-685703	X		
	R39112	FITTING	1	685426-	X		
	R39112	FITTING	1	685704-	X		
38	12M7135	LOCK WASHER	6		X	X	10.200 MM
39	R26448	O-RING	1	-685425	X		
	R26448	O-RING	1	-685703	X		
	R26375	O-RING	1	685426-	X		
	R26375	O-RING	1	685704-	X		
40	R39112	FITTING	1		X	X	
41	JD8819	NEEDLE BEARING	1		X	X	
..	TY15130	SEALANT	1		X	X	3 OZ. SIZE
..	AH153341	GEAR CASE	1		X		
..	AH164299	CASE	1		X		GEAR

3E3

FEEDER HOUSE

FIXED SPEED FEEDER HOUSE DRIVE TIGHTENER
HP8633 -UN-14JUN99



HP8633

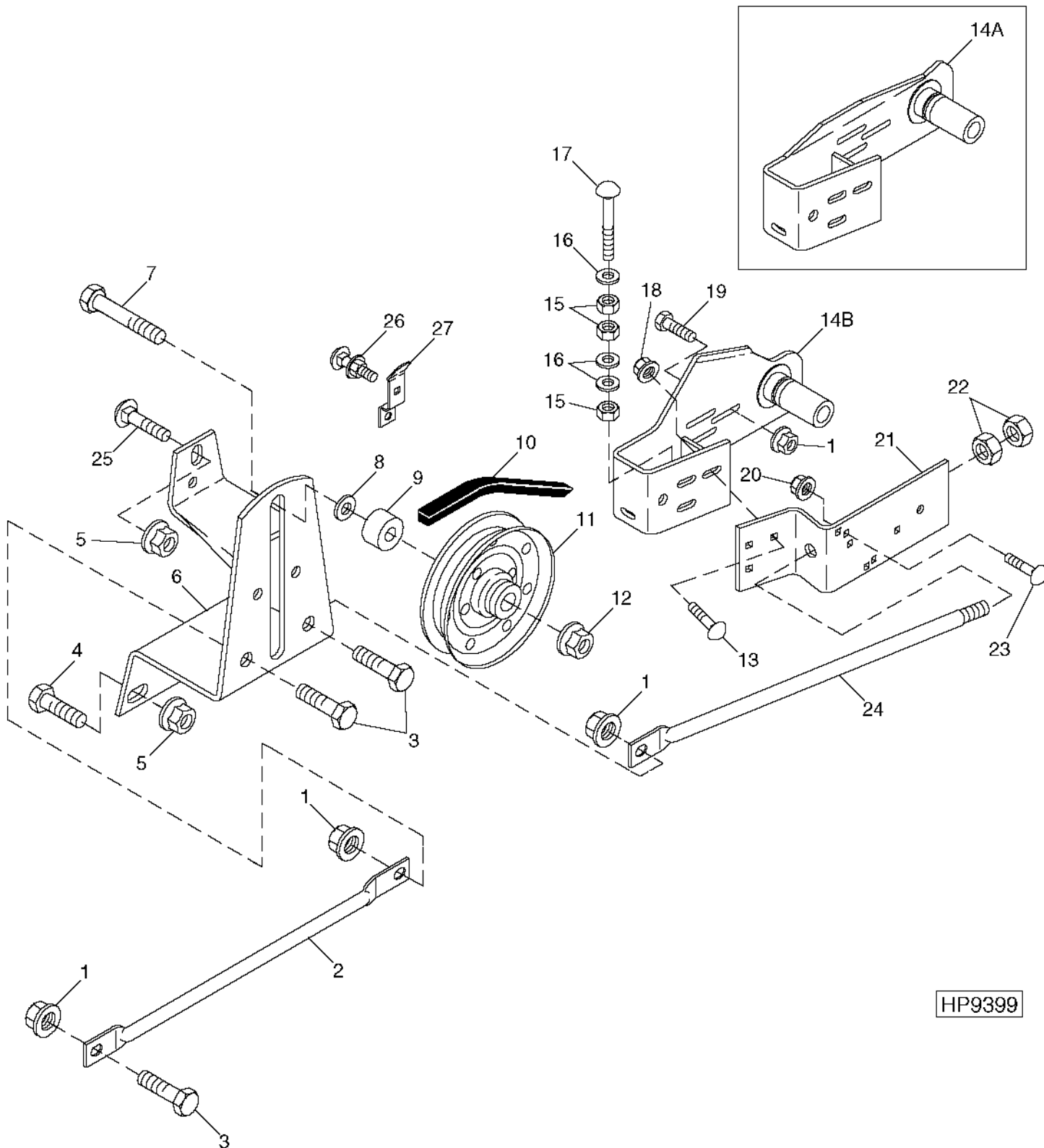
FIXED SPEED FEEDER HOUSE DRIVE TIGHTENER - CONTINUED

KEY	PART NO.	PART NAME	QTY	SERIAL NO.	0 H	REMARKS
					9	
					5	
					9	
					5	
					0	
					5	
					S	
					0	
					H	
1	03M7211	BOLT	2		X X	M16 X 70
2	AH97340	ARM	1		X X	
3	L1730N	BUSHING	2		X X	16.662 X 25.400 X 12.700 MM
4	03M7248	BOLT	1		X X	M12 X 90
5	24H1413	WASHER	2		X X	57/64" X 1-3/8" X 0.048"
6	H89297	BUSHING	1		X X	13.487 X 22.200 X 53.340 MM
7	H132825	PIVOT	1		X X	
8	24H1748	WASHER	1		X X	1/2" X 1-1/4" X 0.105"
9	A31867	LOCK NUT	1		X X	M12
10	AH94450	IDLER	2		X X	
11	H126345	BELT	1		X X	
12	14M7291	FLANGE NUT	2		X X	M16
13	14M7275	NUT	2		X X	M12
14	24H1789	WASHER	1		X X	17/32" X 1-1/4" X 0.105"
15	A25695	SPRING	1		X X	
16	H95499	GAUGE	1		X X	
17	24H1748	WASHER	1		X X	1/2" X 1-1/4" X 0.105"
18	24M7240	WASHER	2		X X	13 X 25 X 3 MM
19	H126346	BOLT	1		X X	
20	14M7299	FLANGE NUT	1		X X	M12
21	AH147476	BRACKET	1		X	
	AH139295	BRACKET	1		X	
22	19M7789	SCREW	2		X X	M12 X 30
23	14M7299	FLANGE NUT	2		X X	M12
24	H126371	BRACE	1		X X	FRONT
25	H126370	REINFORCEMENT	1		X X	
26	03M7198	BOLT	1		X X	M12 X 30
27	H98655	BUSHING	2		X X	
28	19M7789	SCREW	2		X X	M12 X 30
29	14M7299	FLANGE NUT	2		X X	M12

3E5

FEEDER HOUSE

VARIABLE SPEED DRIVE TIGHTENER
HP9399 -UN-07DEC99



3E6

FEEDER HOUSE

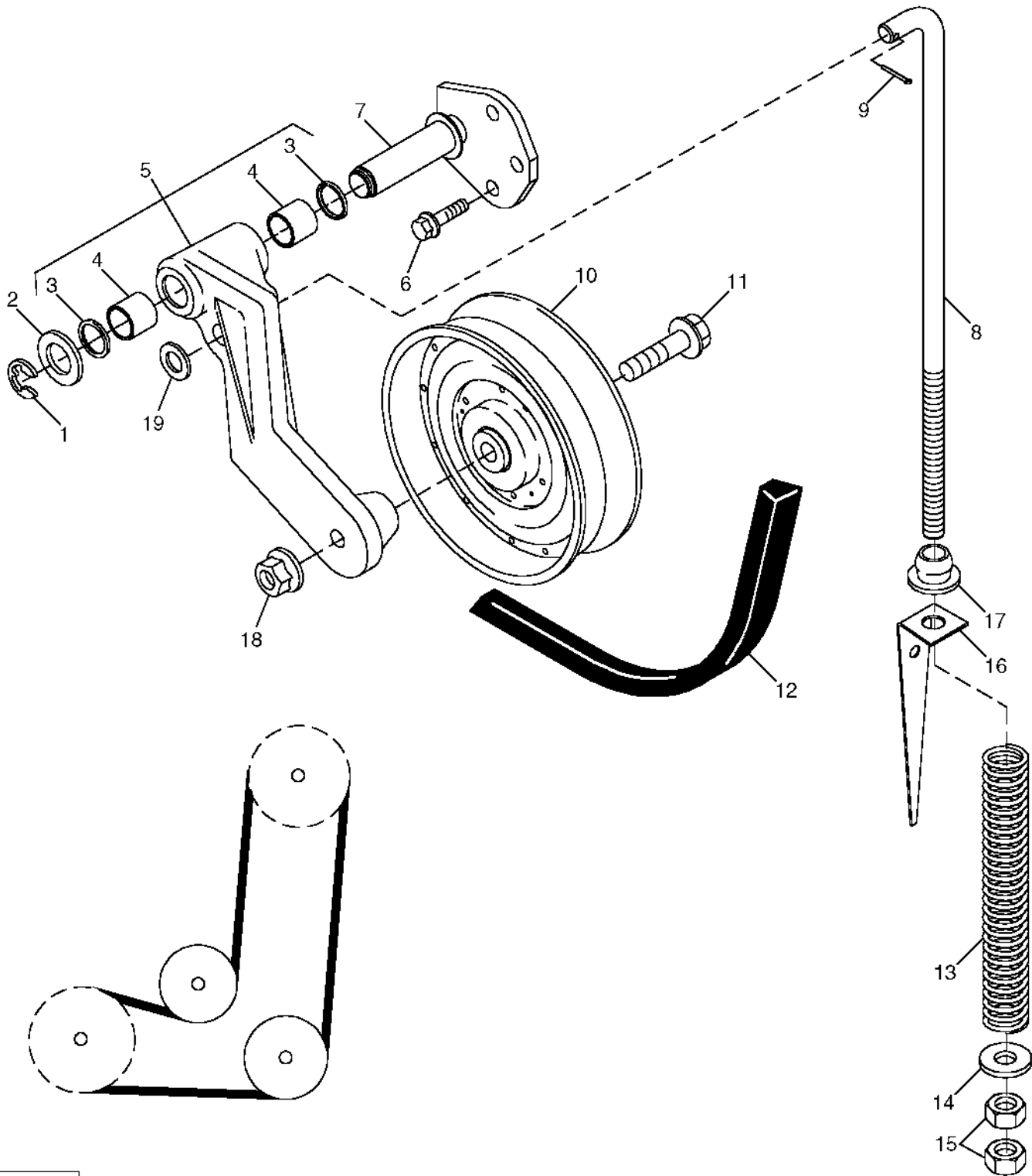
VARIABLE SPEED DRIVE TIGHTENER - CONTINUED

KEY	PART NO.	PART NAME	QTY	SERIAL NO.	0 H	REMARKS
					9	
					5	
					9 5	
					5 0	
					5 S	
					0 H	
1	14M7299	FLANGE NUT	6		X X	M12
2	H126371	BRACE	1		X X	
3	19M7789	SCREW	3		X X	M12 X 30
4	19M7789	SCREW	2		X X	M12 X 30
5	14M7299	FLANGE NUT	3		X X	M12
6	AH139295	BRACKET	1		X X	
7	19M7828	SCREW	1		X X	M16 X 100
8	24H1698	WASHER	1		X X	21/32" X 1-5/8" X 1/4"
9	H156850	SPACER	1		X	
	H113892	SHIFT COLLAR	1		X	
10	H161648	BELT	1		X X	STANDARD
	H156863	BELT	1		X	HIGH CAPACITY
11	AH166439	PULLEY	1		X X	
12	14M7291	FLANGE NUT	1		X X	M16
13	03M7192	BOLT	3		X X	M10 X 30
14A	AH162787	STRAP	1		X X	(SUB AH167579)
14B	AH167579	STRAP	1		X X	
15	14H821	NUT	3		X X	5/8"
16	24M7053	WASHER	3		X X	17 X 30 X 3 MM
17	03H2308	BOLT	1		X X	5/8" X 3-1/4"
18	14M7296	FLANGE NUT	3		X X	M10
19	19M7790	SCREW	3		X X	M12 X 35
20	14M7298	FLANGE NUT	2		X X	M8
21	H166971	STRAP	1		X X	
22	14M7277	NUT	2		X X	M20
23	03M7185	BOLT	2		X X	M8 X 25
24	AH142407	BRACE	1		X X	
25	03M7198	BOLT	1		X X	M12 X 30
26	03M7183	BOLT	1		X X	M8 X 16
	14M7298	FLANGE NUT	1		X X	M8
27	H136336	HOSE CLAMP	1		X X	

3E7

FEEDER HOUSE

FEEDER HOUSE DRIVE TIGHTENER
HP9479 -UN-23FEB00



HP9479

FEEDER HOUSE DRIVE TIGHTENER - CONTINUED

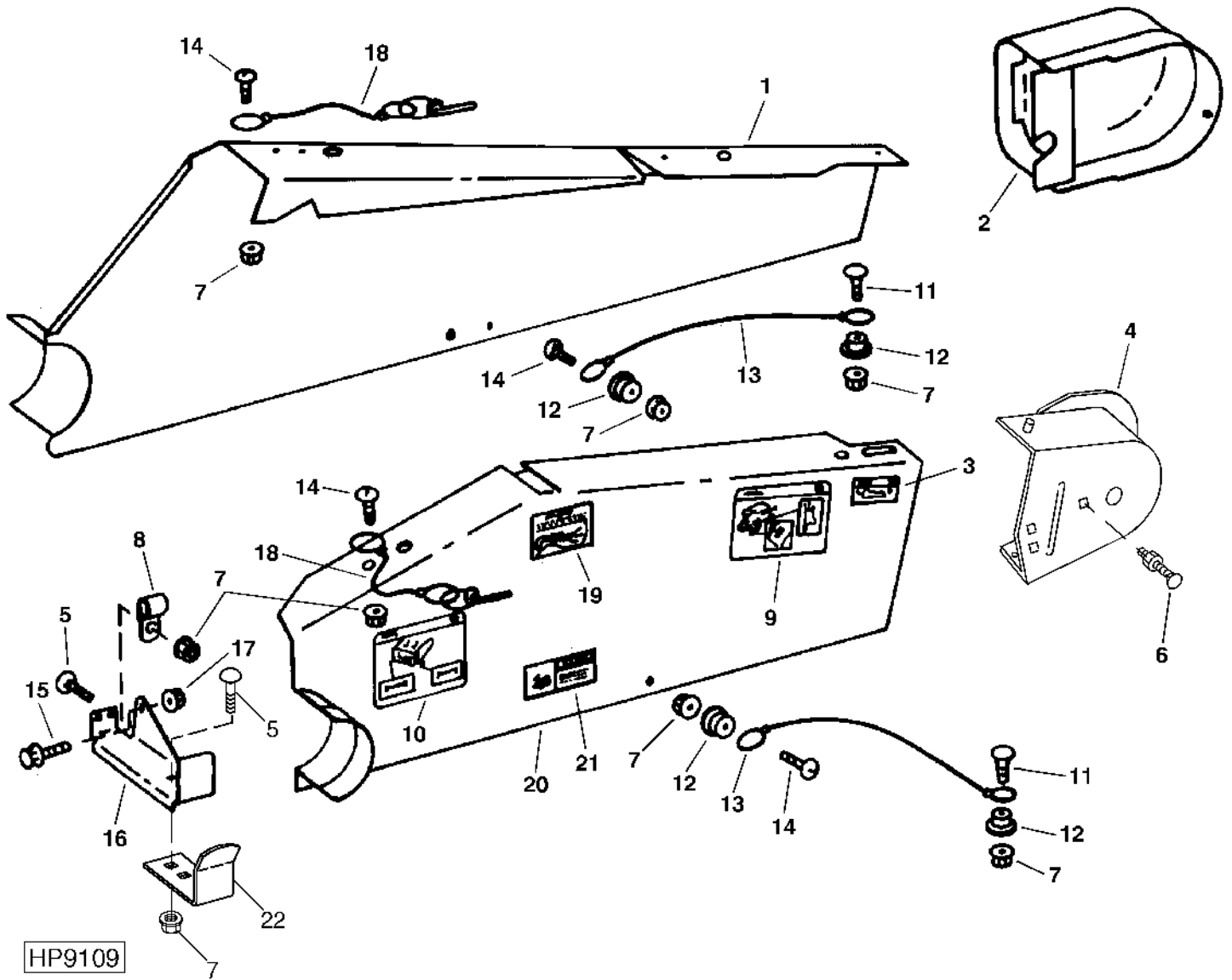
KEY	PART NO.	PART NAME	QTY	SERIAL NO.	0 H	REMARKS
					9 5 9 5 5 0 5 S 0 H	
1	P46402	SNAP RING	1		X X	
2	24M7091	WASHER	1		X X	26 X 44 X 4 MM
3	AA5607R	SEAL	2		X X	
4	H99147	BUSHING	2		X X	(SUB H171061)
	H171061	BEARING	2		X X	
5	AH168397	ARM	1		X X	(SUB FOR AH156843 AND H163557) FRONT END DRIVE
6	19M7784	SCREW	3		X X	M10 X 20
7	AH156051	SPRING PIN	1		X X	
8	H126169	BOLT	1		X X	
9	11M7028	COTTER PIN	1		X X	5 X 32 MM
10	AH166439	IDLER	1		X X	
11	19M7824	SCREW	1		X X	M16 X 60
12	H151952	BELT	1		X X	STANDARD
	H155998	BELT	1		X X	HIGH CAPACITY
13	N61654	SPRING	1		X X	
14	24H1373	WASHER	1		X X	21/32" X 1-9/16" X 0.180"
15	14M7276	NUT	2		X X	M16
16	H116862	GAUGE	1		X X	
17	H173900	PIVOT	1		X X	(SUB FOR H129208)
18	14M7291	FLANGE NUT	1		X X	M16
19	24M7053	WASHER	1		X X	17 X 30 X 3 MM

3E9

FEEDER HOUSE

FEEDER HOUSE DRIVE SHIELDS AND SAFETY STOP (SIDEHILL)

HP9109 -UN-24SEP99



HP9109

3E10

FEEDER HOUSE

FEEDER HOUSE DRIVE SHIELDS AND SAFETY STOP (SIDEHILL) - CONTINUED

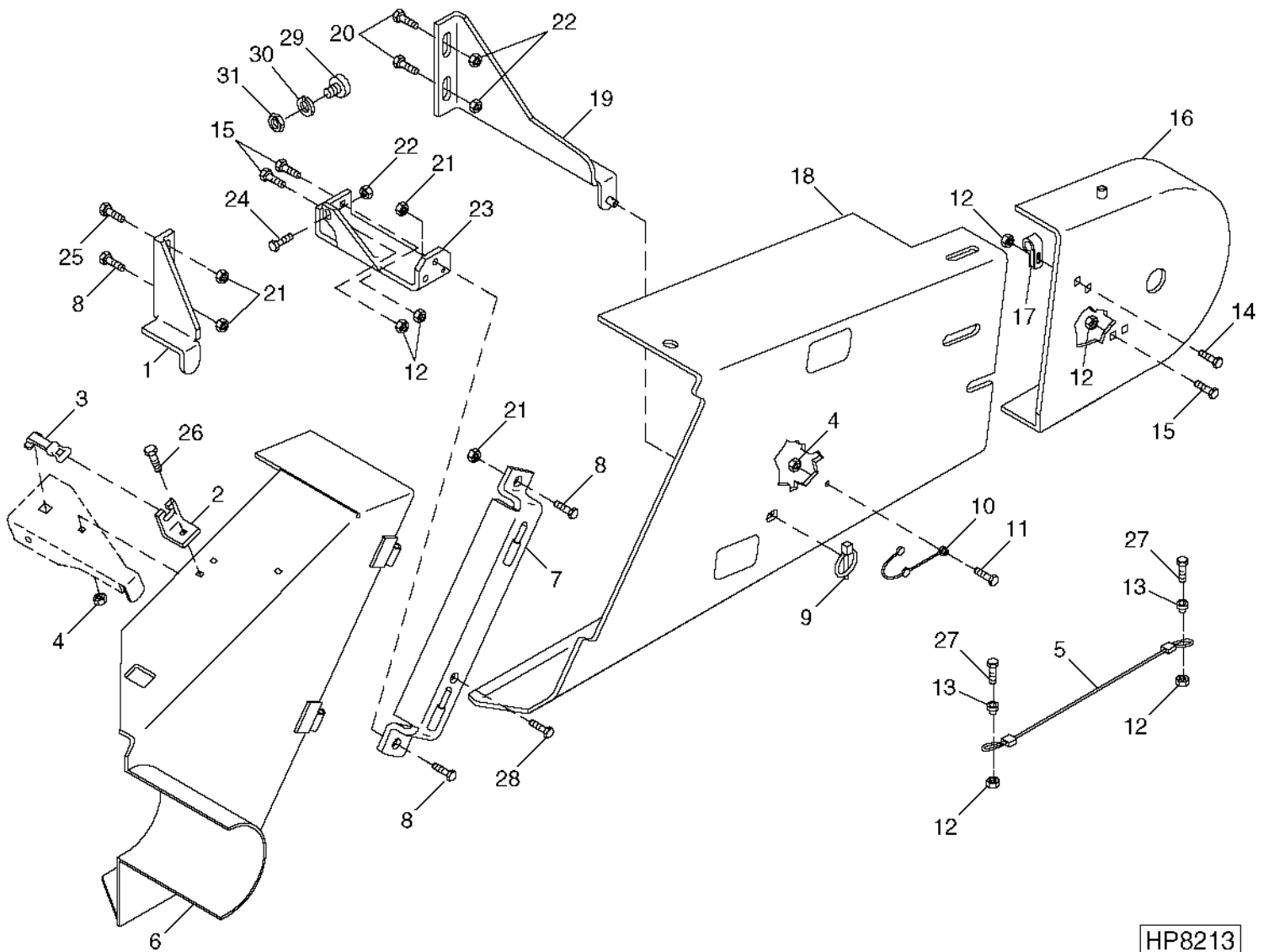
KEY	PART NO.	PART NAME	QTY	SERIAL NO.	0 H	REMARKS
					9	
					5	
					9	
					5	
					0	
					5	
					S	
					0	
					H	
1	AH139173	POWERSHAFT SHIELD	1		X	R.H.
2	AH139352	POWERSHAFT SHIELD	1		X	5" WIDE, R.H.
3	H126397	LABEL	1		X	"VARIABLE SPEED DRIVE" ON SIDE OF SHIELD
4	AH156066	SHIELD	1		X	9" WIDE, L.H.
5	03M7183	BOLT	7		X	M8 X 16
6	03M7185	BOLT	2		X	M8 X 25
	14M7298	FLANGE NUT	2		X	M8
7	14M7298	FLANGE NUT	14		X	M8
8	AH89496	BRACKET	1		X	
9	H141881	LABEL	1		X	
10	H147324	LABEL	1		X	
11	03M7186	BOLT	1		X	M8 X 30
12	M93425	SPACER	4		X	
13	AH134121	CABLE	2		X	(INCLUDES R73290)
14	21M7125	SCREW	6		X	M8 X 25
15	19M7784	SCREW	1		X	M10 X 20
16	H134085	BRACKET	1		X	
17	14M7296	FLANGE NUT	1		X	M10
18	AH135290	QUICK LOCK PIN	5		X	
19	H137939	LABEL	1		X	(ON OUTSIDE OF SHIELD)
20	AH141257	SHIELD	1		X	L.H.
21	H149063	LABEL	2		X	"HEADER DANGER" ON SIDE OF SHIELD
22	H140122	CLIP	2		X	
..	BH81518	COMPLETE GOODS/SHIP. BUNDLE	1			DECALS - RUSSIAN CONVERSION

3E11

FEEDER HOUSE

LEFT HAND DRIVE SHIELD - WITHOUT AIRFLOW

HP8213 -UN-10JUN99



HP8213

3E12

FEEDER HOUSE

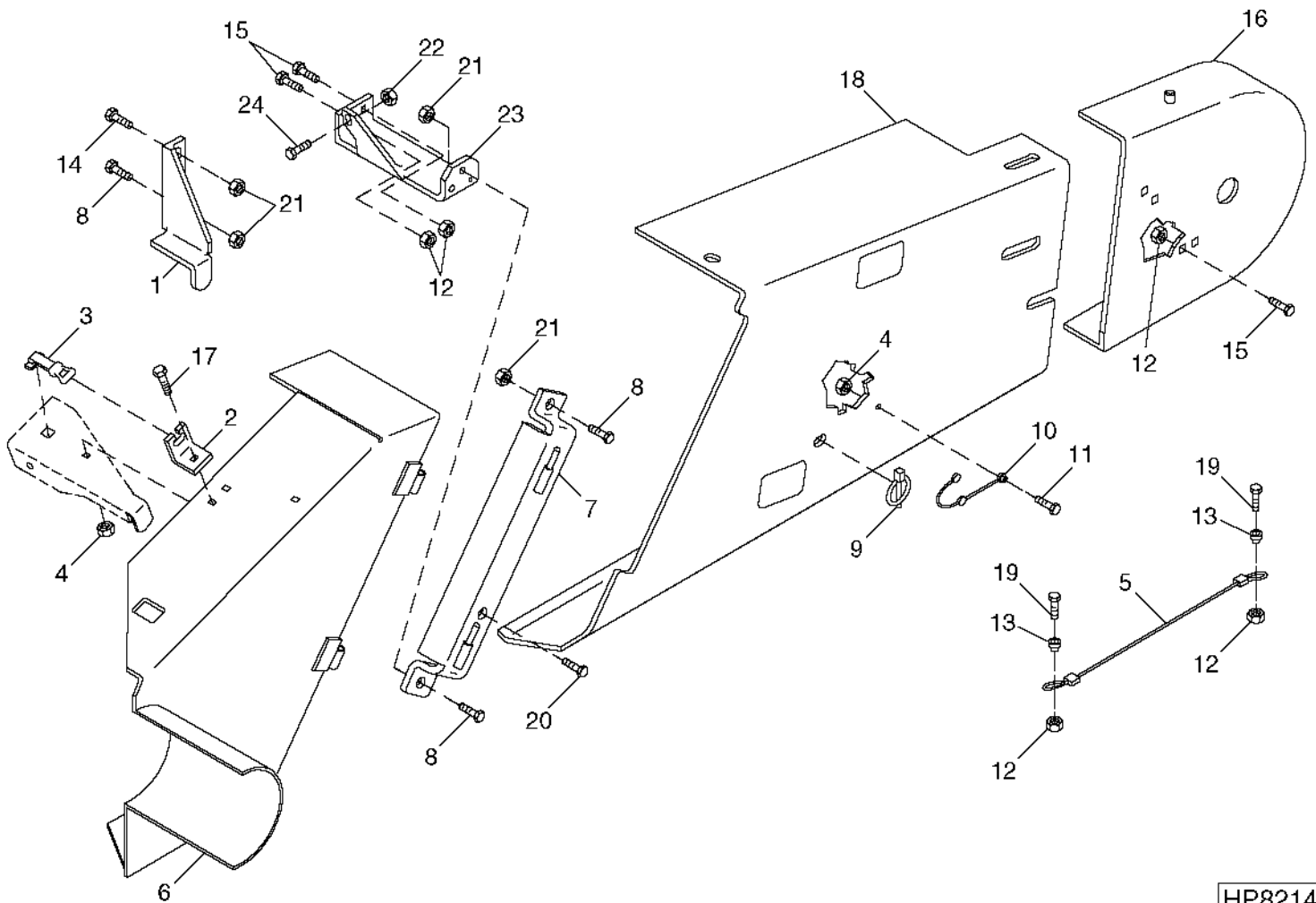
LEFT HAND DRIVE SHIELD - WITHOUT AIRFLOW - CONTINUED

KEY	PART NO.	PART NAME	QTY	SERIAL NO.	0 H	REMARKS
					9	
					5	
					9	
					5	
					0	
					5	
					S	
					0	
					H	
1	H167451	SUPPORT	1		X	
2	H141549	CLAMP	1		X	
3	A44990	LATCH	1		X	
4	14M7303	FLANGE NUT	2		X	M6
5	AH134121	CABLE	1		X	
6	AH161063	SHIELD	1		X	LEVEL LAND
7	AH160798	SUPPORT	1		X	
8	19M7788	SCREW	3		X	M12 X 25
9	M72598	QUICK LOCK PIN	1		X	
10	H167815	STRAP	1		X	
11	21M7246	SCREW	1		X	M6 X 16
12	14M7298	FLANGE NUT	4		X	M8
13	M93425	SPACER	2		X	
14	03M7185	BOLT	1		X	M8 X 25
15	03M7184	BOLT	3		X	M8 X 20
16	AH162340	SHIELD	1		X	
17	R46414	CLAMP	1		X	
18	H167655	SHIELD	1		X	
19	AH160799	SUPPORT	1		X	
20	03M7190	BOLT	2		X	M10 X 20
21	14M7299	FLANGE NUT	4		X	M12
22	14M7296	FLANGE NUT	3		X	M10
23	H162401	BRACKET	1		X	
24	19M7785	SCREW	1		X	M10 X 25
25	19M7789	SCREW	1		X	M12 X 30
26	03M7251	BOLT	1		X	M6 X 12
27	21M7125	SCREW	2		X	M8 X 25
28	37M7089	SCREW	1		X	M6 X 12
29	57M7766	INSULATING CAPSULE	1		X	
30	57M7765	LOCK WASHER	1		X	
31	E73240	NUT	1		X	

3E13

FEEDER HOUSE

LEFT HAND DRIVE SHIELD - WITH AIRFLOW
HP8214 -UN-23JUL99



HP8214

3E14

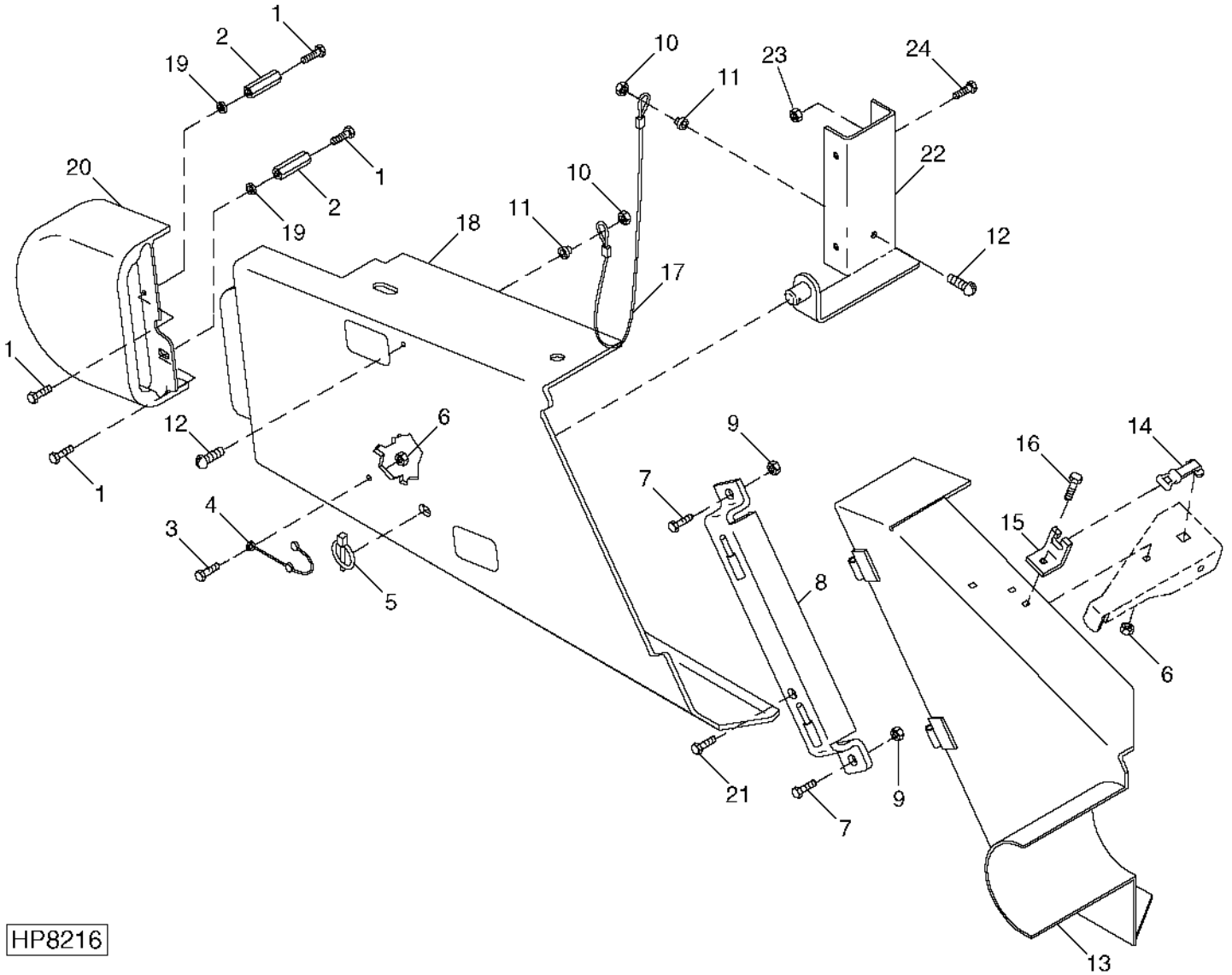
LEFT HAND DRIVE SHIELD - WITH AIRFLOW - CONTINUED

KEY	PART NO.	PART NAME	QTY	SERIAL NO.	0 H	REMARKS
					9	
					5	
					9	
					5	
					0	
					5	
					S	
					0	
					H	
1	H167451	SUPPORT	1		X	
2	H141549	CLAMP	1		X	
3	A44990	LATCH	1		X	
4	14M7303	FLANGE NUT	2		X	M6
5	AH134121	CABLE	1		X	
6	AH161063	SHIELD	1		X	LEVEL LAND
7	AH160798	SUPPORT	1		X	
8	19M7788	SCREW	3		X	M12 X 25
9	M72598	QUICK LOCK PIN	1		X	
10	H167815	STRAP	1		X	
11	21M7246	SCREW	1		X	M6 X 16
12	14M7298	FLANGE NUT	4		X	M8
13	M93425	SPACER	2		X	
14	19M7789	SCREW	1		X	M12 X 30
15	03M7184	BOLT	3		X	M8 X 20
16	AH162340	SHIELD	1		X	
17	03M7251	BOLT	1		X	
18	H167655	SHIELD	1		X	
19	21M7125	SCREW	2		X	M8 X 25
20	37M7089	SCREW	1		X	M6 X 12
21	14M7299	FLANGE NUT	4		X	M12
22	14M7296	FLANGE NUT	3		X	M10
23	H162401	BRACKET	1		X	
24	19M7785	SCREW	2		X	M10 X 25

3E15

FEEDER HOUSE

RIGHT HAND DRIVE SHIELD
HP8216 -UN-01JUL99



HP8216

3E16

FEEDER HOUSE

RIGHT HAND DRIVE SHIELD - CONTINUED

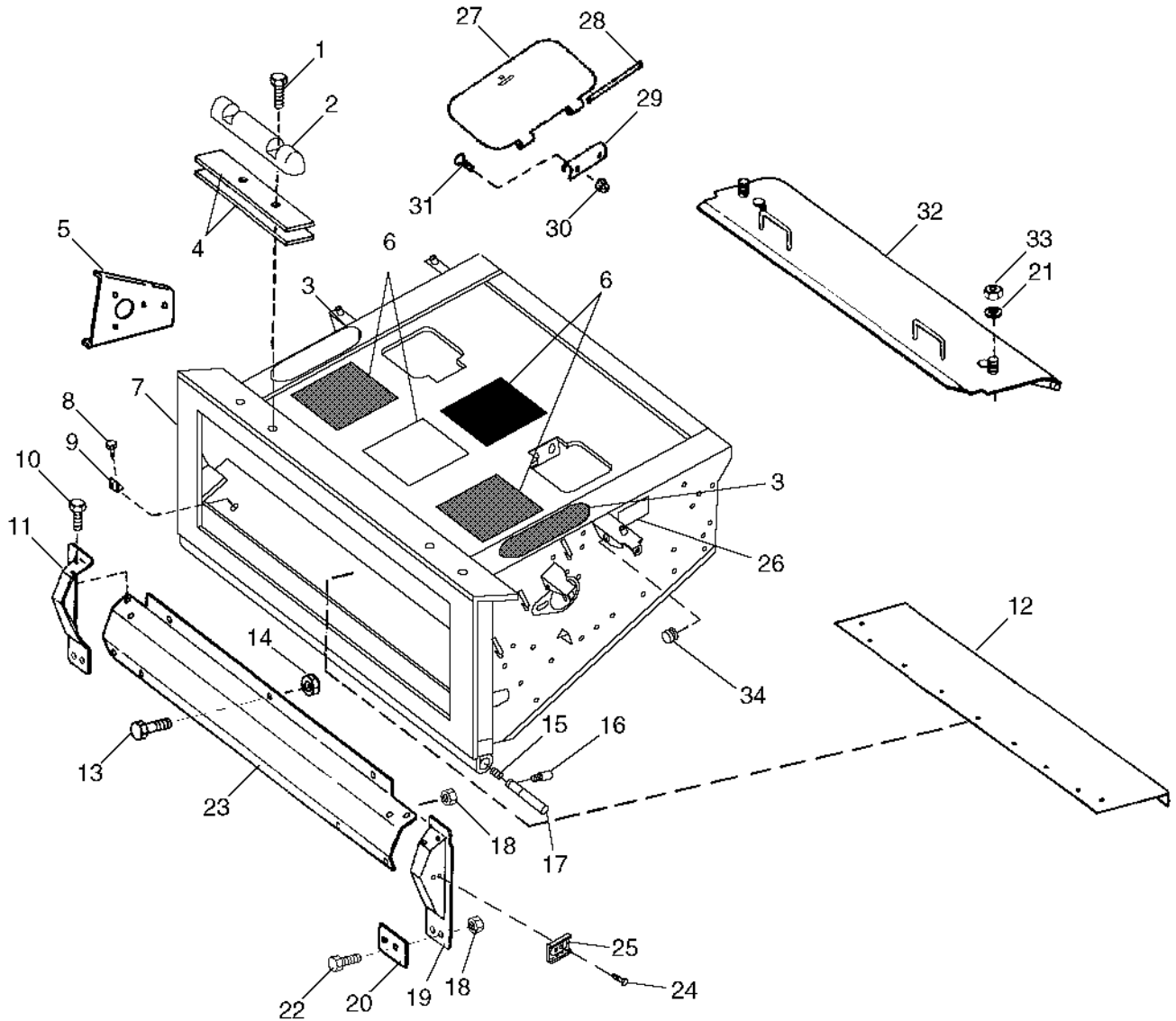
KEY	PART NO.	PART NAME	QTY	SERIAL NO.	0 H	REMARKS
1	19M7785	SCREW	4		X	M10 X 25
2	H143489	BUSHING	2		X	
3	21M7246	SCREW	1		X	M6 X 16
4	H167815	STRAP	1		X	
5	M72598	QUICK LOCK PIN	1		X	
6	14M7303	FLANGE NUT	2		X	M6
7	19M7788	SCREW	2		X	M12 X 25
8	AH160798	SUPPORT	1		X	
9	14M7299	FLANGE NUT	2		X	M12
10	14M7298	FLANGE NUT	2		X	M8
11	M93425	SPACER	2		X	
12	21M7125	SCREW	2		X	M8 X 25
13	AH161062	SHIELD	1		X	
14	A44990	LATCH	1		X	
15	H141549	CLAMP	1		X	
16	03M7251	BOLT	1		X	M6 X 12
17	AH134121	CABLE	1		X	
18	H167654	SHIELD	1		X	
19	24H1311	WASHER	2		X	10.312 X 31.750 X 5.588 MM
20	H146766	POWERSHAFT SHIELD	1		X	
21	37M7089	SCREW	1		X	M6 X 12
22	AH160796	BRACKET	1		X	
23	14M7296	FLANGE NUT	2		X	M10
24	03M7190	BOLT	2		X	M10 X 20

9
5
9 5
5 0
5 S
0 H

3E17

FEEDER HOUSE

FEEDER HOUSE FRAME
HP9692 -UN-12APR00



HP9692

3E18

FEEDER HOUSE

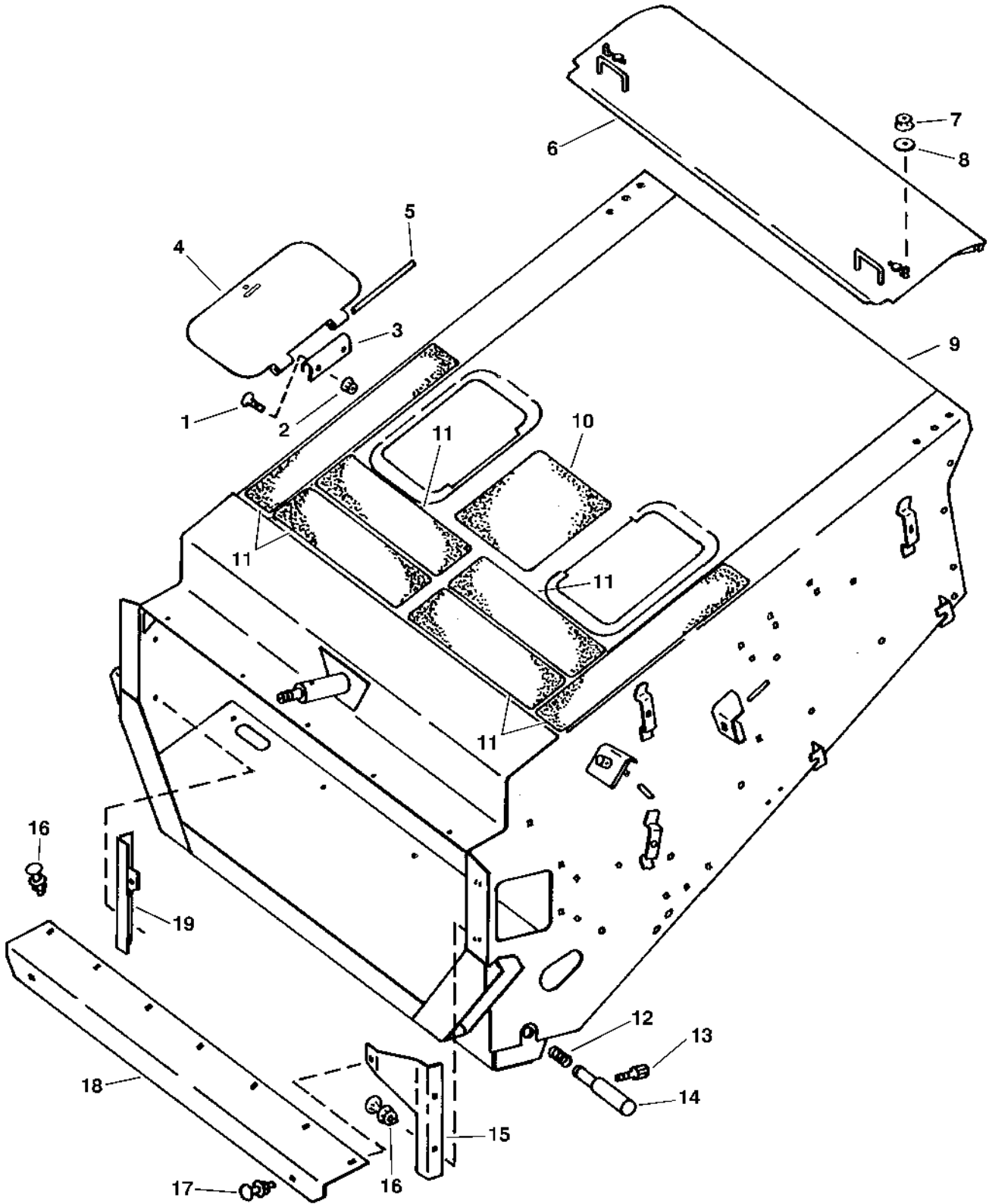
FEEDER HOUSE FRAME - CONTINUED

KEY	PART NO.	PART NAME	QTY	SERIAL NO.	0 H	REMARKS
					9	
					5	
					9	
					5	
					0	
					5	
					S	
					0	
					H	
1	19M7814	SCREW	4	-685936	X	M12 X 50
	19M7824	SCREW	4	685937-	X	M16 X 60
2	H159975	BLOCK CLAMP	2	-685936	X	
	H175547	SUPPORT	2	685937-	X	
3	H136013	MAT	1		X	
4	H175703	SHIM	4		X	(SUB FOR H133843)
5	H141835	REINFORCEMENT	2		X	
6	H136015	MAT	3		X	
7	AH169505	FRAME	1		X	(SUB FOR AH152358) LEVEL LAND WITH
	AH169503	FRAME	1		X	AIRFLOW, HIGH RISE
	AH169506	FRAME	1		X	(SUB FOR AH152356) LEVEL LAND WITH
	AH169508	FRAME	1		X	AIRFLOW
						(SUB FOR AH160392) LEVEL LAND WITHOUT
						AIRFLOW (ILLUSTRATED)
						(SUB FOR AH160394) HIGH RISE W/O AIRFLOW
						(NARROW)
8	03M7192	BOLT	4		X	M10 X 30
9	H144063	ANGLE	2		X	
10	03M7190	BOLT	1		X	M10 X 20
11	H159533	DEFLECTOR	1		X	
12	H144052	WEAR PLATE	1		X	
	H143456	WEAR PLATE	1		X	RICE
13	19M7784	SCREW	6		X	M10 X 20
14	14M7296	FLANGE NUT	6		X	M10
15	124424	SPRING	2		X	
16	H134140	BOLT	2		X	
17	H130826	PIN	2		X	
18	14M7296	FLANGE NUT	4		X	M10
19	H159534	DEFLECTOR	1		X	
20	H143407	WEAR PLATE	2		X	DOMESTIC AND EXPORT - FRANCE
21	24M7047	WASHER	1		X	13 X 24 X 2.500 MM
22	19M7784	SCREW	7		X	M10 X 20
23	H123633	SHIELD	1		X	
24	03M7184	BOLT	4		X	
25	H158951	STRIPPER	2		X	
26	H149063	LABEL	2		X	
27	H152062	DOOR	1		X	
28	PIN	1		X	6.88", (MAKE FROM H76083)
29	H133989	HINGE	1		X	
30	14M7298	FLANGE NUT	1		X	
31	03M7183	BOLT	1		X	
32	AH126417	DOOR	1		X	
33	14M7401	LOCK NUT	1		X	
34	H173451	CAP	1		X	

3E19

FEEDER HOUSE

FEEDER HOUSE FRAME (SIDEHILL)
HP7102 -UN-12SEP97



HP7102

3E20

FEEDER HOUSE

FEEDER HOUSE FRAME (SIDEHILL) - CONTINUED

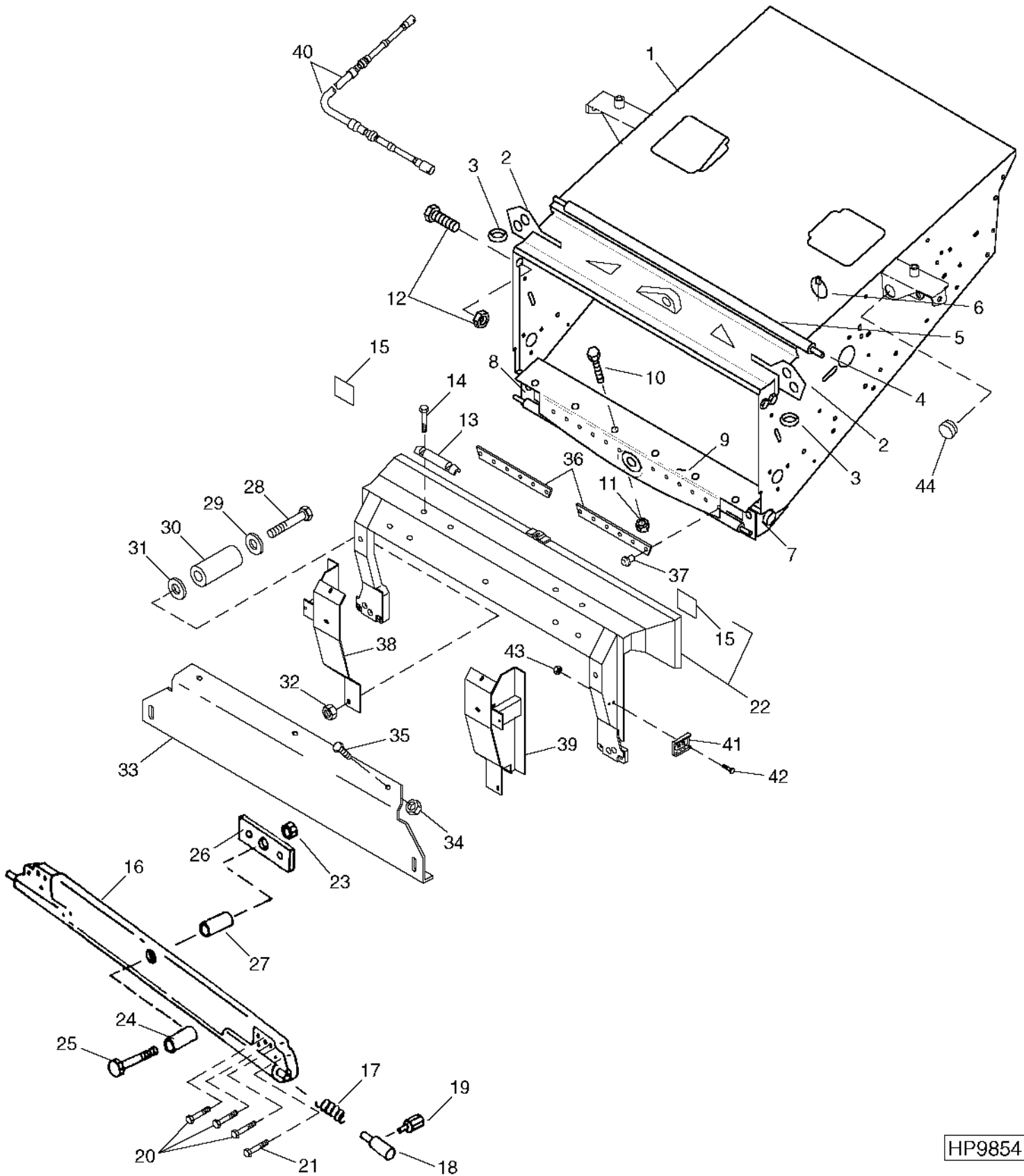
KEY	PART NO.	PART NAME	QTY	SERIAL NO.	9 5 9 5 5 0 5 S 0 H	REMARKS
1	03M7183	BOLT	4		X	M8 X 16
2	14M7298	FLANGE NUT	4		X	M8
3	H133989	HINGE	2		X	
4	H152062	DOOR	2		X	
5	H137322	PIN	2		X	
6	AH126417	DOOR	1		X	REAR
7	14M7401	LOCK NUT	2		X	M12
8	24M7180	WASHER	2		X	13 X 37 X 3 MM
9	AH135110	FRAME	1		X	
10	H136015	MAT	1		X	
11	H136013	MAT	6		X	
12	124424	SPRING	2		X	
13	H136808	BOLT	2		X	M12 X 40
14	H145894	QUICK LOCK PIN	1		X	
15	H140552	DEFLECTOR	1		X	L.H. CLOSURE
16	03M7185	BOLT	11		X	M8 X 25
	14M7298	FLANGE NUT	11		X	M8
17	03M7185	BOLT	2		X	M8 X 25
	14M7396	LOCK NUT	2		X	M8
18	H140550	SHIELD	1		X	
19	H140551	DEFLECTOR	1		X	R.H. CLOSURE

3E21

FEEDER HOUSE

FEEDER HOUSE SHELL, WEAR PLATES AND SEALS - CONTOUR MASTER

HP9854 -UN-12JUN00



HP9854

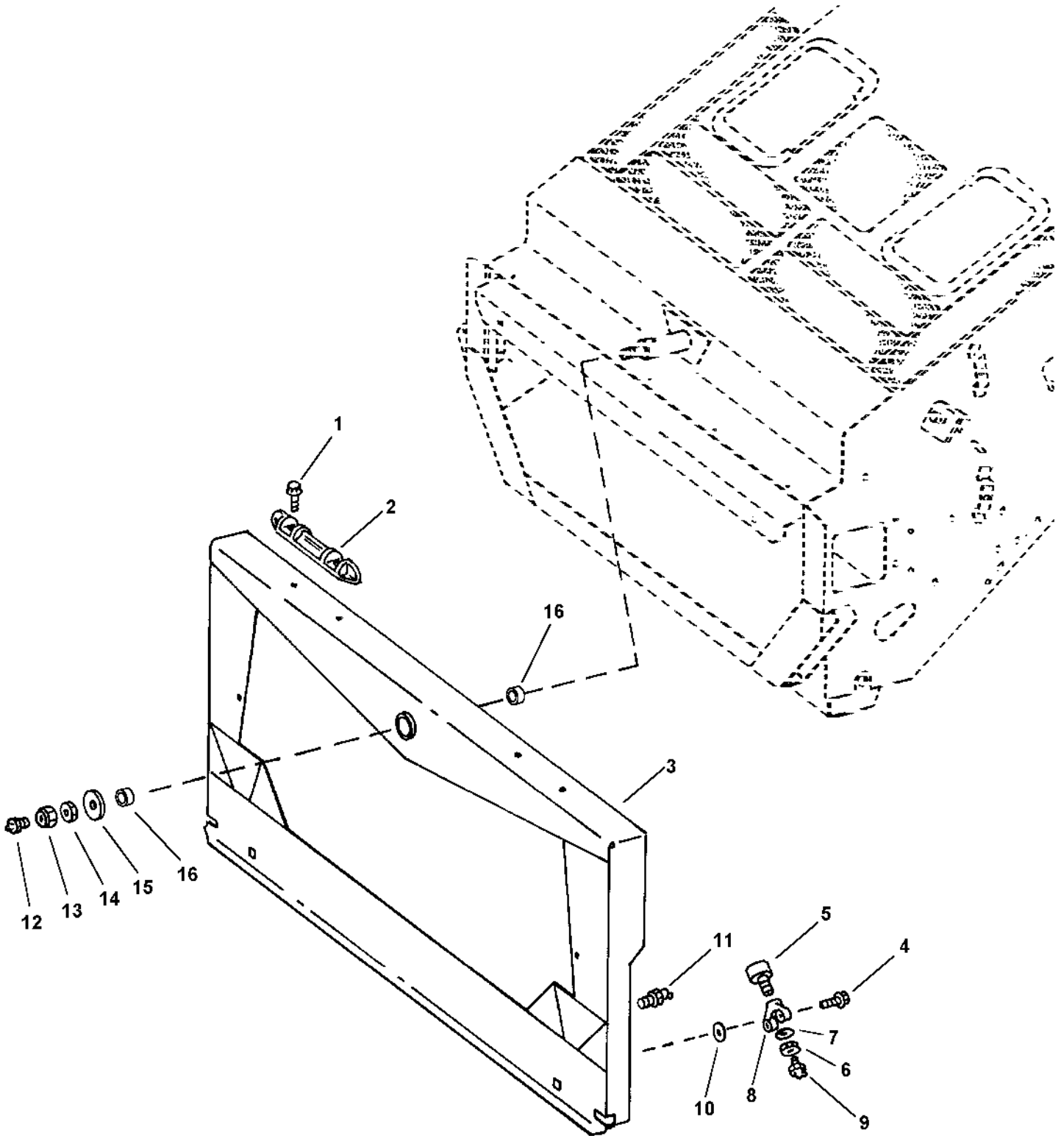
FEEDER HOUSE SHELL, WEAR PLATES AND SEALS - CONTOUR MASTER - CONTINUED

KEY	PART NO.	PART NAME	QTY	SERIAL NO.	0 H	REMARKS
					9	
					5	
					9	
					5	
					0	
					5	
					S	
					0	
					H	
1	AH152360	FRAME	1		X	AIR FLOW
	AH160395	FRAME	1		X	WITHOUT AIR FLOW (ILLUSTRATED)
2	H149461	WEAR PLATE	2		X	
3	R495R	O-RING	2		X	(USE WITH H149461)
4	H144825	PIPE	1		X	
5	H148998	SEAL	1		X	
6	M72598	QUICK LOCK PIN	2		X	
7	H149459	WEAR PLATE	1		X	L.H. LOWER
8	H149460	WEAR PLATE	1		X	R.H. LOWER
9	H142861	PLATE	1		X	CONTOUR MASTER
10	03M7184	BOLT	6		X	M8 X 20
11	14M7298	FLANGE NUT	7		X	M8
12	19M7790	SCREW	4		X	M12 X 35
	14M7299	FLANGE NUT	4		X	M12
13	H159975	BLOCK CLAMP	2	-685927	X	
	H175547	SUPPORT	2	685928-	X	
14	19M7844	SCREW	4		X	M16 X 45
	19M7844	SCREW	4	685937-	X	
15	H151607	SIGN	4		X	"CAUTION" HEADER TILT
16	AH162724	FRAME	1		X	
17	124424	SPRING	2		X	
18	H130040	PIN	2		X	
19	H149523	BOLT	2		X	
20	19M7844	SCREW	6		X	M16 X 45, (USE LOCTITE)
21	19M7815	SCREW	2		X	M12 X 60, (USE LOCTITE)
22	AH145281	FRAME	1	-685936	X	
	AH169869	ASSEMBLY LINE PARTS	1	685937-	X	
23	14M7300	FLANGE NUT	1		X	M20
24	H142870	BUSHING	1		X	
25	19M7921	CAP SCREW	1		X	M20 X 150
26	H149518	STRAP	1		X	
27	H149517	PIN	1		X	
28	19M7820	SCREW	2		X	M12 X 100
29	E81185	WASHER	2		X	
30	28H3320	BUSHING	2		X	0.546" X 0.840" X 1-3/16"
31	24H1252	WASHER	2		X	1/2" X 1-1/2" X 0.060"
32	14M7299	FLANGE NUT	2		X	M12
33	H142869	WEATHER ENCLOSURE	1		X	
34	H135891	LOCK NUT	7		X	
35	19M7784	SCREW	7		X	M10 X 20
36	H162410	STRIP	2		X	
37	M64720	RIVET	14		X	
38	AH143362	SHIELD	1		X	
39	AH143361	SHIELD	1		X	
40	AH162586	CABLE	1		X	WITHOUT AIR FLOW
	AH162587	CABLE	1		X	WITH AIR FLOW
41	H158951	STRIPPER	2		X	
42	03M7184	BOLT	4		X	M8 X 20
43	14M7296	FLANGE NUT	4		X	M10
44	H173451	CAP	1		X	
45	24M7240	WASHER	1		X	13 X 25 X 3 MM

3E23

FEEDER HOUSE

FEEDER HOUSE OUTER CLOSURE FRAME (SIDEHILL) HP7627 -UN-10SEP98



HP7627

3E24

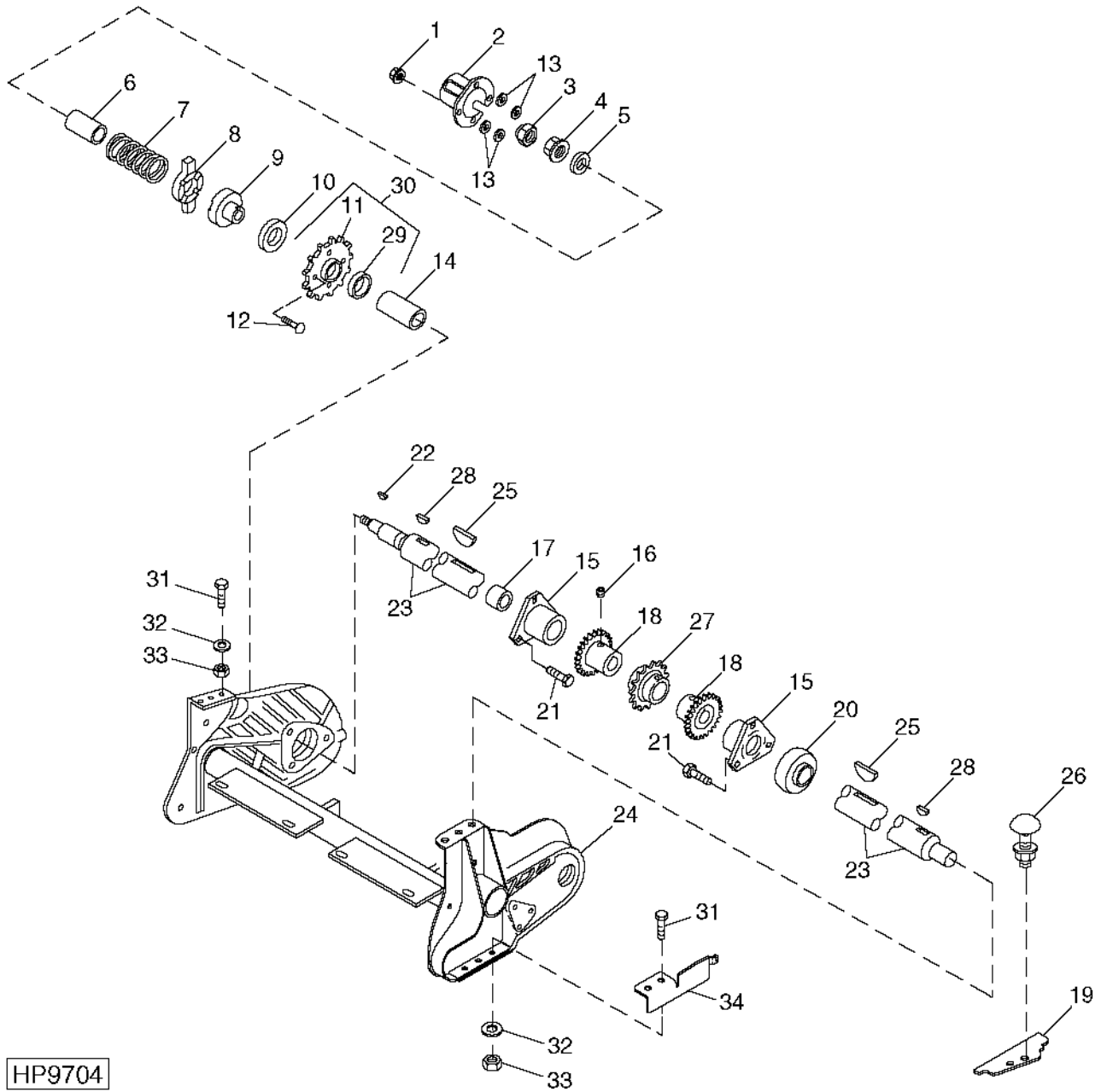
FEEDER HOUSE

FEEDER HOUSE OUTER CLOSURE FRAME (SIDEHILL) - CONTINUED

KEY	PART NO.	PART NAME	QTY	SERIAL NO.	9 5 9 5 5 0 5 S 0 H	REMARKS
1	19M7790	SCREW	4	-685725	X	M12 X 35
	19M7844	SCREW	4	685726-	X	
2	H159975	BLOCK CLAMP	2	-685725	X	
	H175547	SUPPORT	2	685726-	X	
3	AH138278	FRAME	1	-685725	X	(INCLUDES H84869)
	AH169510	FRAME	1	685726-	X	(INCLUDES H84869)
4	19M7793	SCREW	4		X	M16 X 40
5	AH119669	ROLLER	2		X	
6	14H863	NUT	2		X	3/4"
7	12H236	LOCK WASHER	2		X	3/4"
8	H145888	SUPPORT	2		X	
9	JD7826	FITTING	2		X	
10	24H1255	WASHER	AR		X	11/16" X 1-1/4" X 0.060", USE TO ADJUST SPACE BETWEEN ROLLER BEARING AND FRAME
11	JD7806	LUBRICATION FITTING	2		X	
12	JD7759	LUBRICATION FITTING	1		X	
13	T27821	LOCK NUT	1		X	31.750 MM (1-1/4")
14	14H975	NUT	1		X	1-1/4"
15	H65322	WASHER	1		X	32.537 X 82.550 X 8 MM (1-9/32" X 3-1/4" X 0.315")
16	R66651	BUSHING	2		X	

3F1

FEEDER HOUSE UPPER SHAFT AND SLIP CLUTCH HP9704 -UN-18APR00



HP9704

3F2

FEEDER HOUSE

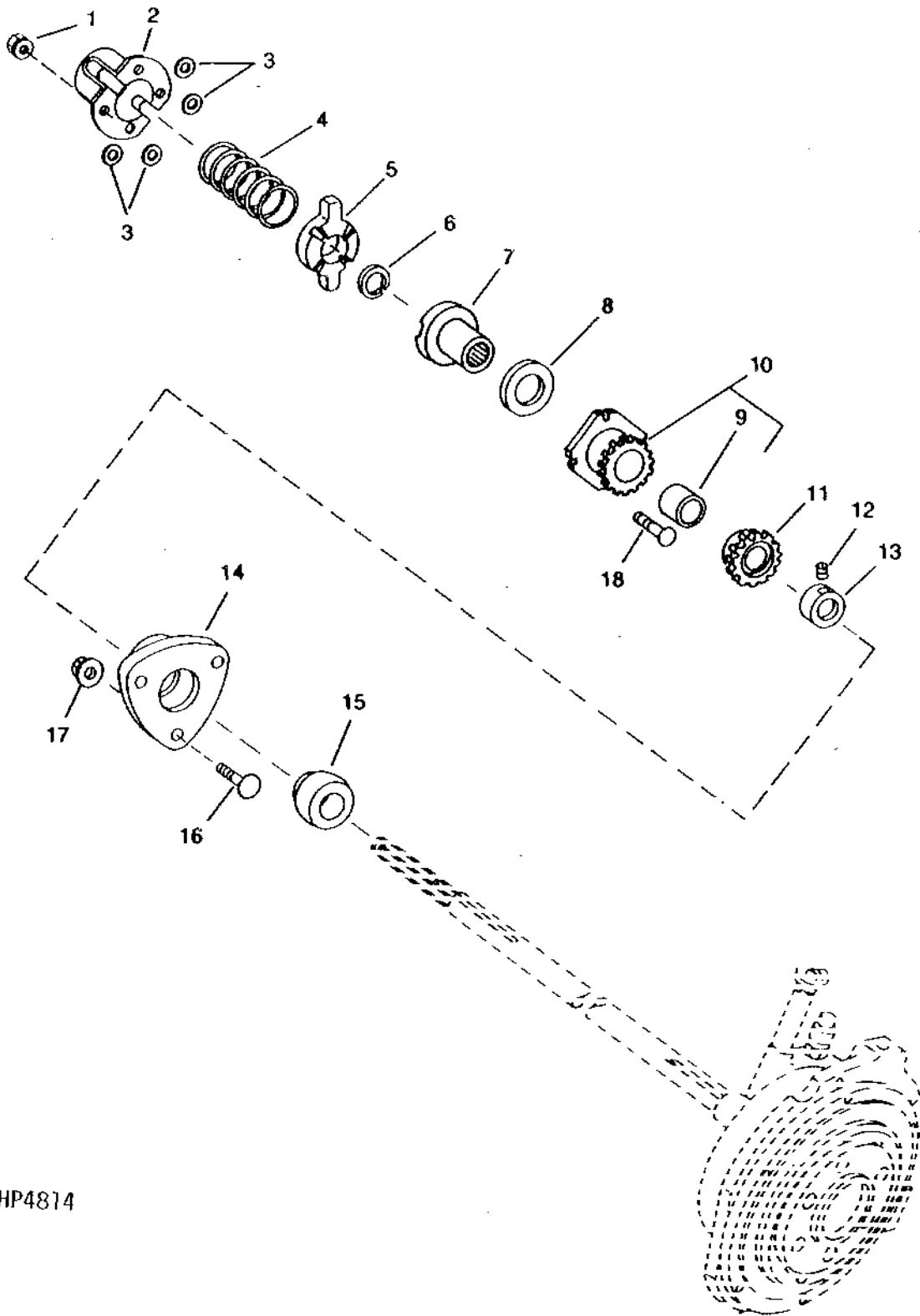
FEEDER HOUSE UPPER SHAFT - CONTINUED

KEY	PART NO.	PART NAME	QTY	SERIAL NO.	9550 SH		REMARKS
					0	H	
1	14M7299	FLANGE NUT	4		X	X	M12
2	H119710	HOUSING	1		X	X	
3	A31871	LOCK NUT	1		X	X	
4	14M7278	NUT	1		X	X	M24
5	R90521	WASHER	1		X		
6	H129659	SPACER	1		X	X	
7	H109855	SPRING	1		X		
8	H101677	JAW	1		X	X	
9	H105590	HUB	1		X		
10	H99303	WASHER	1		X		
11	H119709	CHAIN SPROCKET	1		X		
12	03M7200	BOLT	4		X	X	M12 X 40
13	24H1341	WASHER	4		X	X	17/32" X 15/16" X 0.060"
14	H143354	SPACER	1		X	X	
15	H147593	HOUSING	2		X	X	
16	H156580	SET SCREW	8		X	X	M12 X 16
17	JD10020	BALL BEARING	1		X	X	
18	H159613	CHAIN SPROCKET	2		X	X	
19	H147482	BRACKET	2		X	X	
20	JD9373	BALL BEARING	1		X	X	
21	19M7789	SCREW	6		X		M12 X 30
22	26H103	SHAFT KEY	1		X		1/4" X 2-1/8"
23	H156576	SHAFT	1		X	X	
24	AH141399	TUBE	1		X		(SUB AH167126)
	AH167126	TUBE	1		X		
25	H156579	SHAFT KEY	2		X		
26	03M7191	BOLT	4		X		M10 X 25
	14M7296	FLANGE NUT	4		X		M10
27	H159614	CHAIN SPROCKET	1		X	X	
28	H156578	SHAFT KEY	2		X	X	
29	H105584	BUSHING	1		X		
30	AH116232	CHAIN SPROCKET	1		X		
	AH135614	DRIVE SPROCKET	1		X		
31	19M8002	CAP SCREW	12		X	X	M20 X 55
32	24M7242	WASHER	12		X	X	21.400 X 42 X 5 MM
33	14M7300	FLANGE NUT	12		X	X	M20
34	H172667	BRACKET	1		X	X	
35	H168732	BALL STUD	1		X	X	

3F3

FEEDER HOUSE

FRONT SHAFT SLIP CLUTCH
(SIDEHILL) (R.H. SIDE)
HP4814 -UN-01JAN94



HP4814

3F4

FEEDER HOUSE

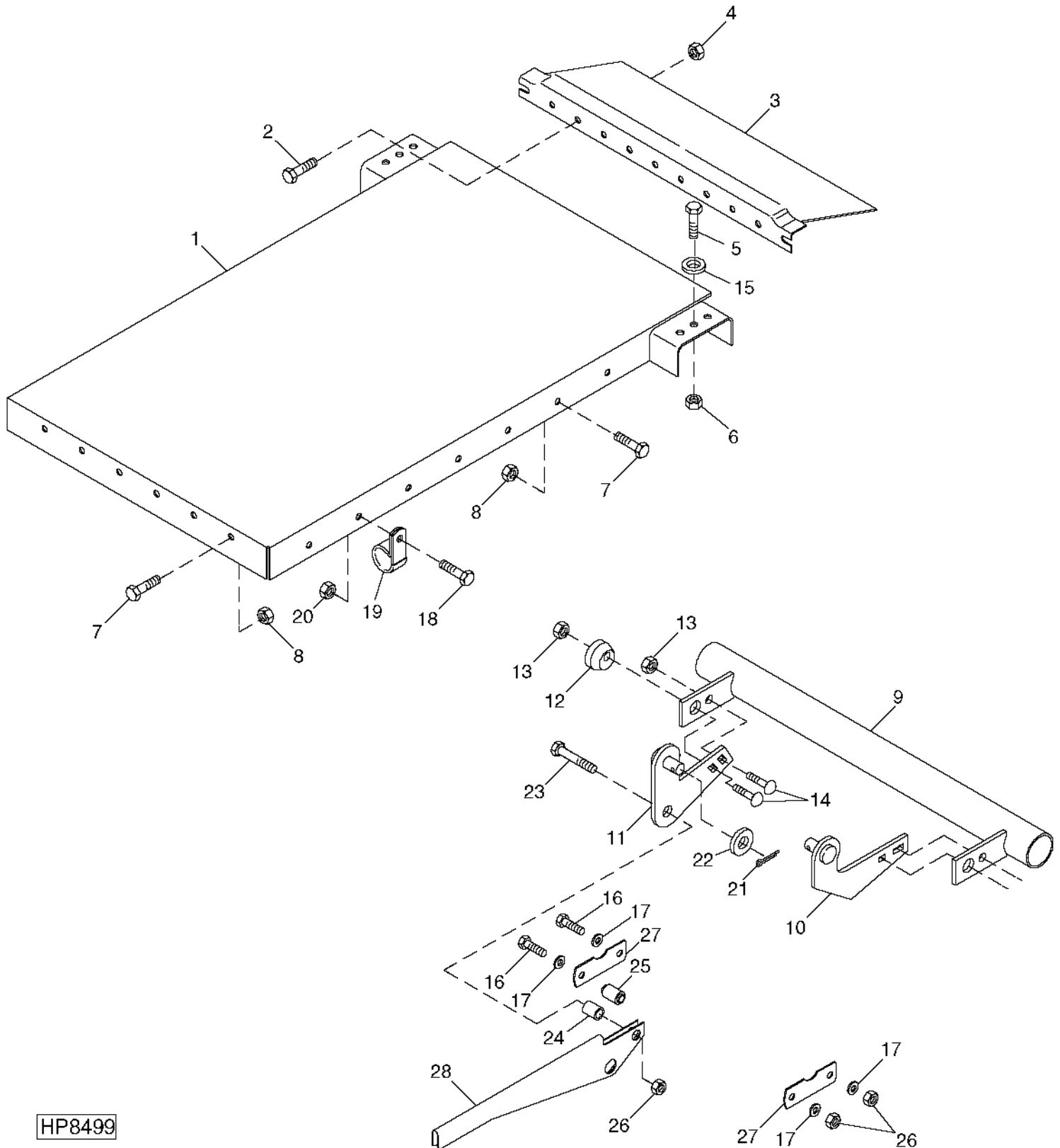
FRONT SHAFT SLIP CLUTCH - CONTINUED
(SIDEHILL) (R.H. SIDE)

KEY	PART NO.	PART NAME	QTY	SERIAL NO.	0 H	REMARKS
					9	
					5	
					9 5	
					5 0	
					5 S	
					0 H	
1	14M7299	FLANGE NUT	4		X	M12
2	H119710	PLANET PINION CARRIER	1		X	
3	24H1341	WASHER	8		X	17/32" X 15/16" X 0.060"
4	H102497	SPRING	1		X	
5	H101677	JAW	1		X	
6	40M7046	SNAP RING	1		X	
7	H144313	THRESHING CYL HEAD (W/HUB)	1		X	
8	N102042	WASHER	1		X	51.562 X 90.424 X 3.400 MM (2.030" X 3.560" X 0.134")
9	R66651	BUSHING	1		X	
10	AH153261	DRIVE SPROCKET	1		X	19-TOOTH
11	H135772	WHEEL	1		X	18-TOOTH
12	22H979	SET SCREW	1		X	3/8" X 3/8"
13	JD9201	ECCENTRIC LOCKING COLLAR	1		X	
14	H93927	HOUSING	1		X	
15	JD9202	BALL BEARING	1		X	
16	03M7193	BOLT	3		X	M10 X 35
17	14M7296	FLANGE NUT	3		X	M10
18	03M7200	BOLT	4		X	M12 X 40

3F5

FEEDER HOUSE

FEEDER HOUSE FLOOR AND LATCH HANDLE
HP8499 -UN-13JUL99



HP8499

3F6

FEEDER HOUSE

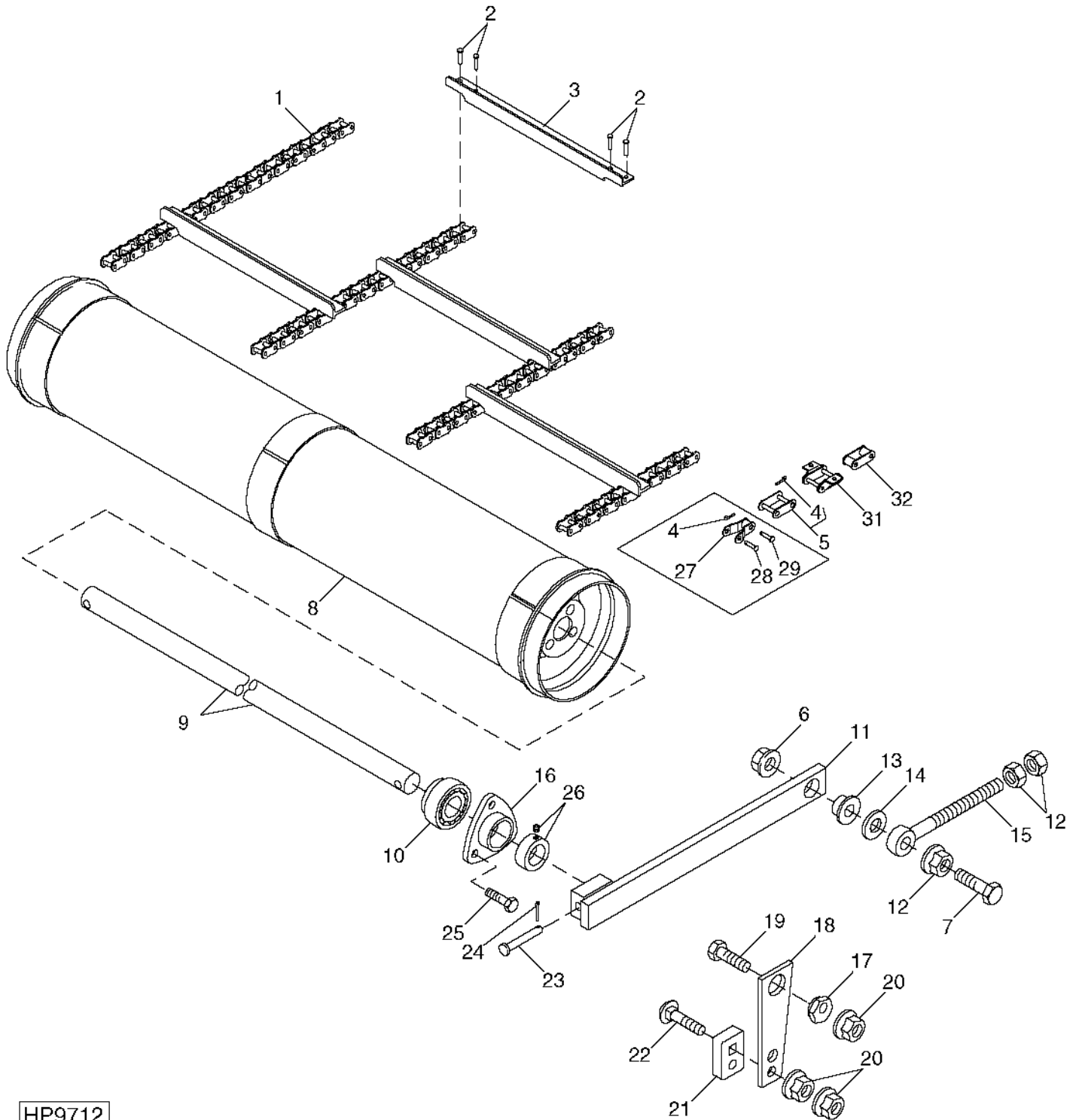
FEEDER HOUSE FLOOR AND LATCH HANDLE - CONTINUED

KEY	PART NO.	PART NAME	QTY	SERIAL NO.	9	REMARKS
					5	
1	AH159703	FLOOR	1		X X	
2	03M7190	BOLT	10		X X	M10 X 20
3	H173904	SEAL	1		X X	(SUB FOR H170737)
4	14M7296	FLANGE NUT	10		X X	M10
5	19M8002	CAP SCREW	6		X X	M20 X 55
6	14M7300	FLANGE NUT	6		X X	M20
7	19M7789	SCREW	18		X X	M12 X 30
8	14M7299	FLANGE NUT	18		X X	M12
9	AH161016	SUPPORT	1		X X	
10	AH141782	ARM	1		X X	L.H.
11	AH141781	ARM	1		X X	R.H.
12	H97322	CAM	1		X X	
13	14M7299	FLANGE NUT	4		X X	M12
14	19M7790	SCREW	4		X X	M12 X 35
15	24M7242	WASHER	6		X X	
16	19M8318	SCREW	2		X X	M8 X 45
17	24M7207	WASHER	4		X X	8.400 X 24 X 2 MM
18	19M7784	SCREW	2		X X	M10 X 20
19	AH77279	CLIP	1		X X	
20	14M7296	FLANGE NUT	2		X X	M10
21	11M7028	COTTER PIN	2		X X	5 X 32 MM
22	24M7053	WASHER	2		X X	17 X 30 X 3 MM
23	19M8291	SCREW	1		X X	M8 X 35
24	H133060	SLEEVE	1		X X	
25	H132988	BUSHING	1		X X	
26	14M7396	LOCK NUT	3		X X	M8
27	H136144	ADJUSTING STRAP	2		X X	
28	H132986	HANDLE	1		X X	

3F7

FEEDER CONVEYOR IDLER SHAFT, DRUM AND CHAIN

HP9712 -UN-26APR00



HP9712

3F8

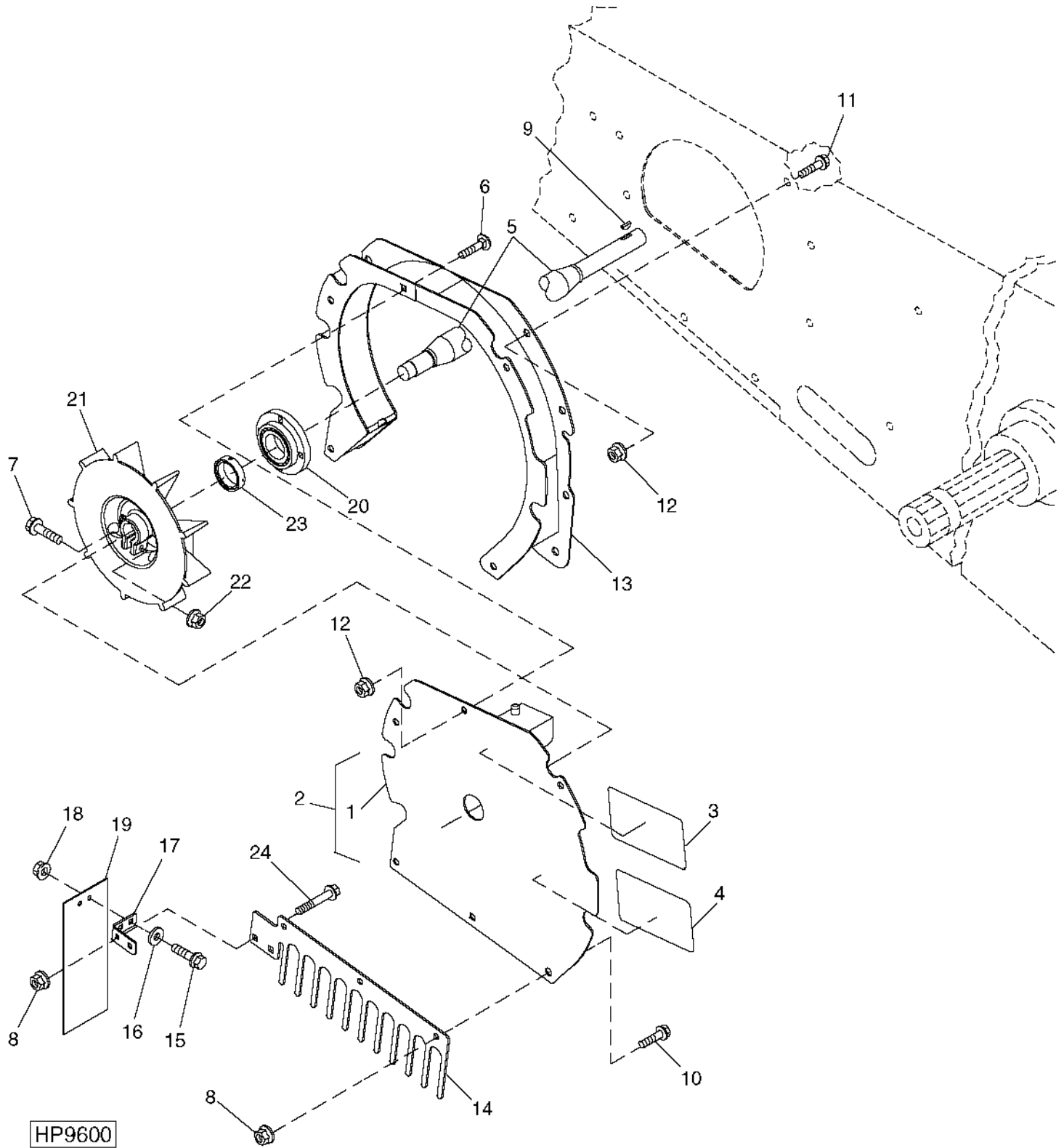
FEEDER HOUSE

FEEDER CONVEYOR IDLER SHAFT, DRUM AND CHAIN - CONTINUED

KEY	PART NO.	PART NAME	QTY	SERIAL NO.	0 H	REMARKS
					9	
					5	
					9 5	
					5 0	
					5 S	
					0 H	
1	AH138187	CONVEYOR	1		X	(34 SLAT)
	AH137604	CONVEYOR	1		X	(28 SLAT)
2	16H1083	RIVET	296		X X	5/16" X 5/8"
3	H134002	SLAT	AR		X X	
4	H84026	HOOK	8		X X	
5	AH137630	CHAIN LINK	4		X X	
6	W39621	NUT	2		X X	M16
7	19M7399	CAP SCREW	2		X X	M16 X 85
8	AH142394	DRUM	1		X X	
9	H123734	SHAFT	1		X X	
10	JD8552	BALL BEARING	2		X X	
11	AH126091	ARM	2		X X	
12	14M7291	FLANGE NUT	6		X X	M16
13	H131087	BUSHING	2		X X	16.500 X 25.600 X 17 MM
14	24H1368	WASHER	2		X X	21/32" X 1-5/16" X 0.090"
15	H131088	EYEBOLT	2		X	
	N5044DN	EYEBOLT	2		X	
16	H138753	HOUSING	2		X X	
17	H97322	CAM	2		X X	
18	H84942	PLATE	2		X X	
19	H139098	BOLT	2		X X	
20	14M7299	FLANGE NUT	6		X X	M12
21	H144201	ADJUSTING STRAP	2		X X	
22	H154331	BOLT	2		X X	
23	45M7040	PIN	2		X X	10 X 60 MM
24	11M7059	COTTER PIN	2		X X	3.200 X 20 MM
25	19M7790	SCREW	6		X X	M12 X 35
26	JD8551	ECCENTRIC LOCKING COLLAR	2		X X	
27	LINK	1		X X	
28	PIN	1		X X	
29	PIN	1		X X	
30	AH137631	CHAIN LINK	1		X X	
31	AH158328	LINK	1		X X	
32	AH158635	CHAIN LINK	1		X X	

3F9

R.H. SIDE FEEDER HOUSE DUST FAN
HP9600 -UN-09MAR00



3F10

FEEDER HOUSE

R.H. SIDE FEEDER HOUSE DUST FAN - CONTINUED

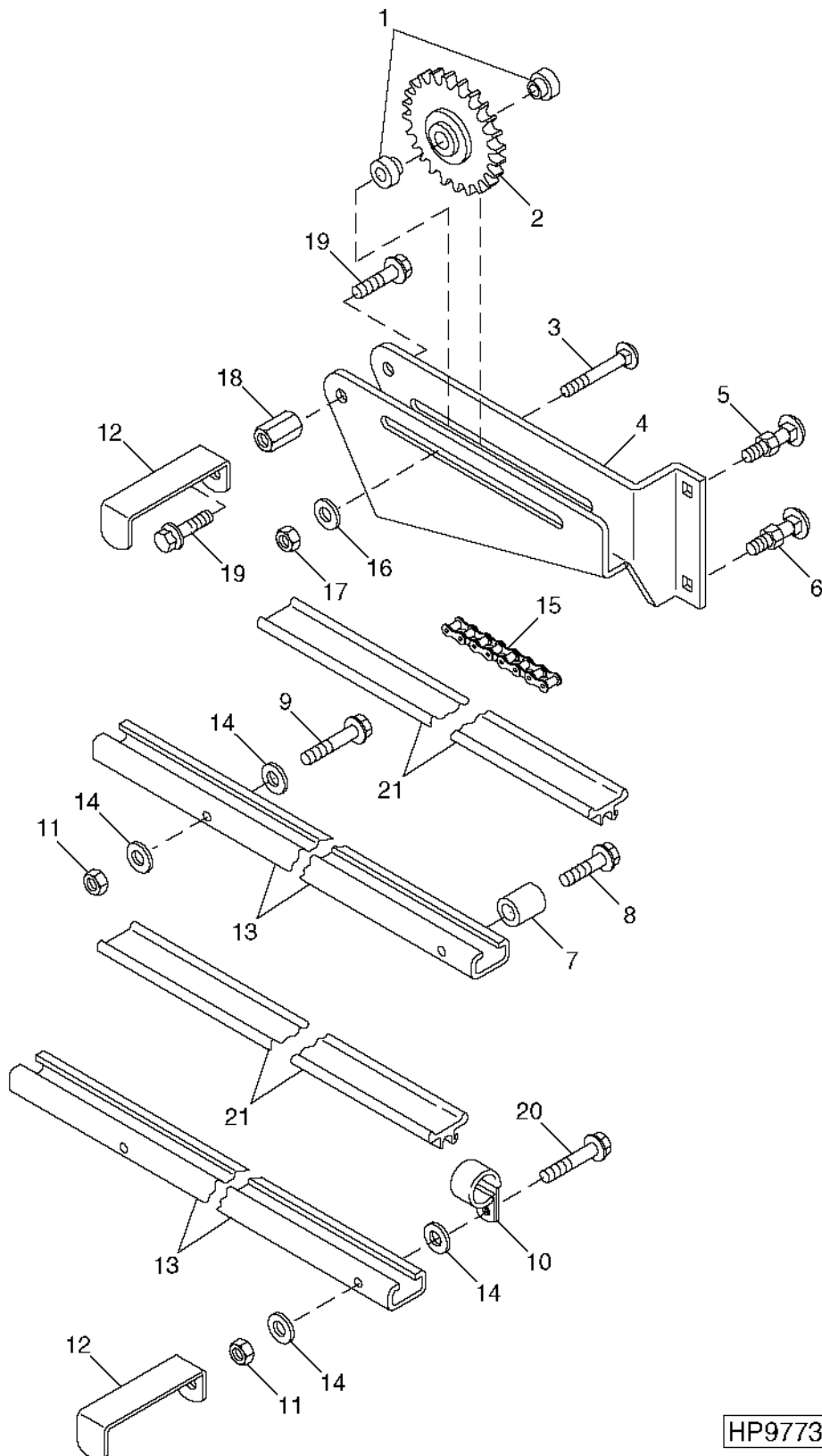
KEY	PART NO.	PART NAME	QTY	SERIAL NO.	9 5 9 5 5 0 5 S 0 H	REMARKS
1	H171318	COVER	1		X	
2	AH155936	COVER	1			R.H.
3	H149063	LABEL	1			
4	H164537	SIGN	1			
5	H171636	SHAFT	1		X	NARROW AIRFLOW
6	19M7789	SCREW	1		X	M12 X 30
7	19M7806	SCREW	1		X	M10 X 50
8	14M7296	FLANGE NUT	7		X	M10
9	26M6787	SHAFT KEY	3		X	10 X 32 MM
10	19M7784	SCREW	3		X	M10 X 20
11	03M7198	BOLT	6		X	M12 X 30
12	14M7299	FLANGE NUT	7		X	M12
13	AH155659	PLATE	1		X	R.H.
14	H172177	FINGER	1		X	
15	03M7191	BOLT	4		X	M10 X 25
16	24M7178	WASHER	4		X	10.500 X 30 X 2.500 MM
17	H164009	BRACKET	1		X	
18	14M7400	LOCK NUT	4		X	M10
19	H164018	LIMIT CURTAIN	1		X	
20	AH157168	BEARING	1		X	
21	AH157415	FAN	1		X	
22	H135891	LOCK NUT	1		X	
23	AH133191	ECCENTRIC LOCKING COLLAR	1		X	

3F11

FEEDER CONVEYOR DRIVE CHAIN, TIGHTENER AND GUIDES

(SIDEHILL)

HP9773 -UN-23MAY00



HP9773

3F12

FEEDER HOUSE

**FEEDER CONVEYOR DRIVE CHAIN, TIGHTENER AND GUIDES - CONTINUED
(SIDEHILL)**

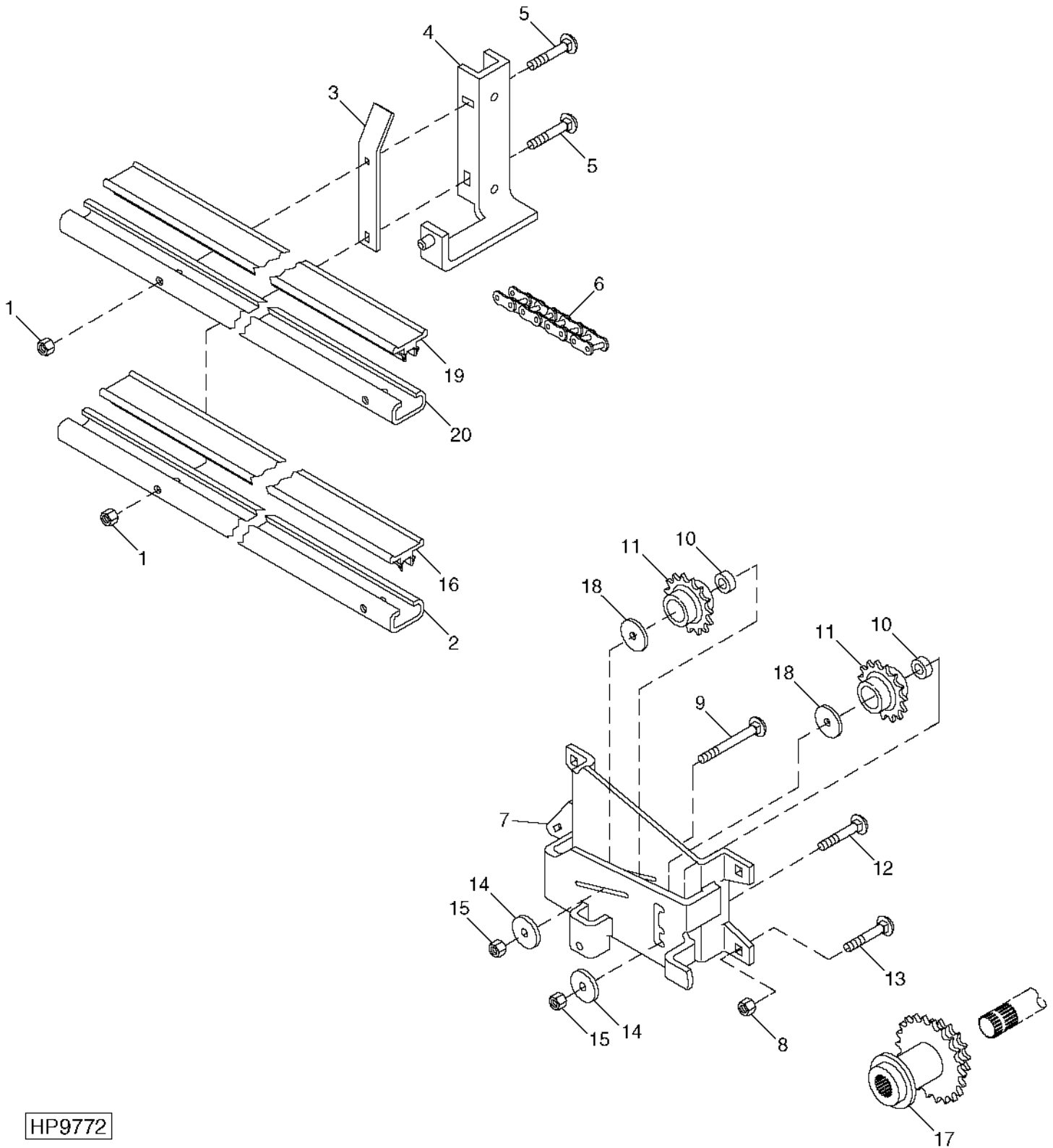
KEY	PART NO.	PART NAME	QTY	SERIAL NO.	9 5 9 5 5 0 5 S 0 H	REMARKS
1	H130529	SPACER	2		X	12.300 X 15 X 16 MM (0.484" X 0.591" X 0.630")
2	AE27909	CHAIN SPROCKET	1		X	15-TOOTH
3	03M7204	BOLT	1		X	M12 X 60
4	H141500	BRACKET	1		X	
5	03M7198	BOLT	1		X	M12 X 30
	14M7299	FLANGE NUT	1		X	M12
6	19M7789	SCREW	1		X	M12 X 30
	14M7299	FLANGE NUT	1		X	M12
7	28H1497	BUSHING	1		X	12.522 X 17.145 X 38.100 MM (0.493" X 0.675" X 1-1/2")
8	19M7812	SCREW	1		X	M10 X 100
9	19M7809	SCREW	2		X	M10 X 70
10	AH89557	CLIP	1		X	
11	14M7400	LOCK NUT	4		X	M10
12	H145145	BRACKET	2		X	
13	H172470	SUPPORT	2		X	935MM
14	H128084	WASHER	4		X	11 X 76.200 X 5 MM (0.433" X 3" X 0.197")
15	ROLLER CHAIN	1		X	ROLLER, TYPE 60, 19 MM (3/4") 229 LINKS (ASSEMBLE FROM (4) AB1288H AND AB1289H.
16	24H1226	WASHER	1		X	1/2" X 1-1/4" X 0.083"
17	14M7299	FLANGE NUT	1		X	M12
18	H143489	BUSHING	1		X	
19	19M7785	SCREW	2		X	M10 X 25
20	19M7810	SCREW	1		X	M10 X 80
21	H172473	GUIDE	2		X	935MM

3F13

FEEDER HOUSE

FEEDER CONVEYOR DRIVE CHAIN AND IDLER BRACKET

HP9772 -UN-24MAY00



HP9772

3F14

FEEDER HOUSE

FEEDER CONVEYOR DRIVE CHAIN AND IDLER BRACKET - CONTINUED

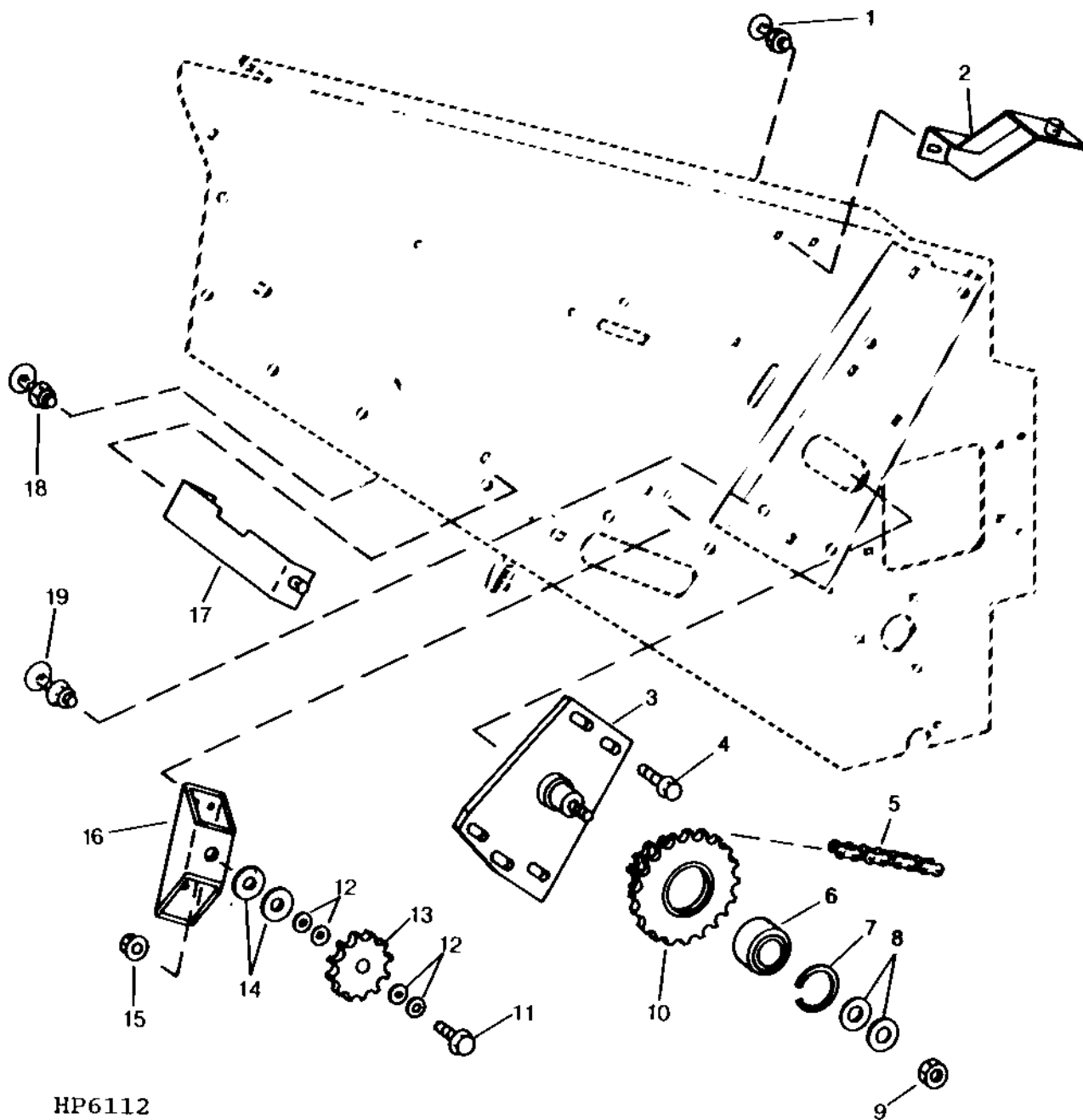
KEY	PART NO.	PART NAME	QTY	SERIAL NO.	0 H	REMARKS
					9	
					5	
					9	
					5	
					0	
					5	
					S	
					0	
					H	
1	14M7400	LOCK NUT	4		X	M10
2	H172471	SUPPORT	1		X	656MM
3	H162320	PLATE	1		X	
4	AH160796	BRACKET	1		X	
5	03M7233	BOLT	4		X	M10 X 70
6	AH118228	LINK CHAIN	1		X	ROLLER, TYPE 60, 19 MM (3/4") 220 LINKS (SMALL SPROCKET) AND 223 LINKS (LARGE SPROCKET); (OR ASSEMBLE FROM (4) AB1288H AND AB1289H)
7	AH155666	BRACKET	1		X	
8	14M7299	FLANGE NUT	4		X	M12
9	03M7211	BOLT	1		X	M16 X 70
10	H84374	BUSHING	2		X	16.662 X 34.925 X 12.700 MM
11	AE27909	CHAIN SPROCKET	2		X	
12	19M7826	SCREW	1		X	M16 X 70
13	03M7197	BOLT	4		X	M12 X 25
14	24M7103	WASHER	2		X	17.500 X 56 X 5 MM
15	14M7291	FLANGE NUT	2		X	M16
16	H172474	GUIDE	1		X	656MM
17	AH149349	DRIVE SPROCKET	1		X	
18	H129716	WASHER	2		X	
19	H172473	GUIDE	1		X	935MM
20	H172470	SUPPORT	1		X	935MM

3F15

FEEDER HOUSE

DRIVE CHAIN IDLERS AND SHIELD BRACKETS (SIDEHILL)

HP6112 -UN-27JUN95



HP6112

3F16

FEEDER HOUSE

**DRIVE CHAIN IDLERS AND SHIELD BRACKETS - CONTINUED
(SIDEHILL)**

KEY	PART NO.	PART NAME	QTY	SERIAL NO.	0 H	REMARKS
					9	
					5	
					9 5	
					5 0	
					5 S	
					0 H	
1	03M7192	BOLT	2		X	M10 X 30
	14M7296	FLANGE NUT	2		X	M10
2	AH139174	BRACKET	1		X	SHIELD
3	AH139868	SHAFT	1		X	
4	19M7789	SCREW	2		X	M12 X 30
5	AH135694	LINK CHAIN	1		X	(ORDER AH135611) 54 LINKS
6	AH109788	ROLLER BEARING	1		X	
7	40M7090	SNAP RING	1		X	
8	24H1236	WASHER	2		X	20.625 X 50.800 X 3.785 MM (13/16" X 2" X 0.149")
9	A31870	LOCK NUT	1		X	M20
10	AH135611	DRIVE SPROCKET	1		X	INCLUDES KEY 5, 19 TOOTH/29 TOOTH
11	19M7824	SCREW	1		X	M16 X 60
12	24H1364	WASHER	4		X	21/32" X 15/16" X 0.036"
13	AE27909	CHAIN SPROCKET	1		X	15-TOOTH
14	N72306	WASHER	2		X	
15	14M7291	FLANGE NUT	1		X	M16
16	H145349	SUPPORT	1		X	
17	AH139175	RETAINER	1		X	
18	03M7190	BOLT	2		X	M10 X 20
	14M7296	FLANGE NUT	2		X	M10
19	03M7184	BOLT	3		X	M8 X 20
	14M7298	FLANGE NUT	3		X	M8

3F17

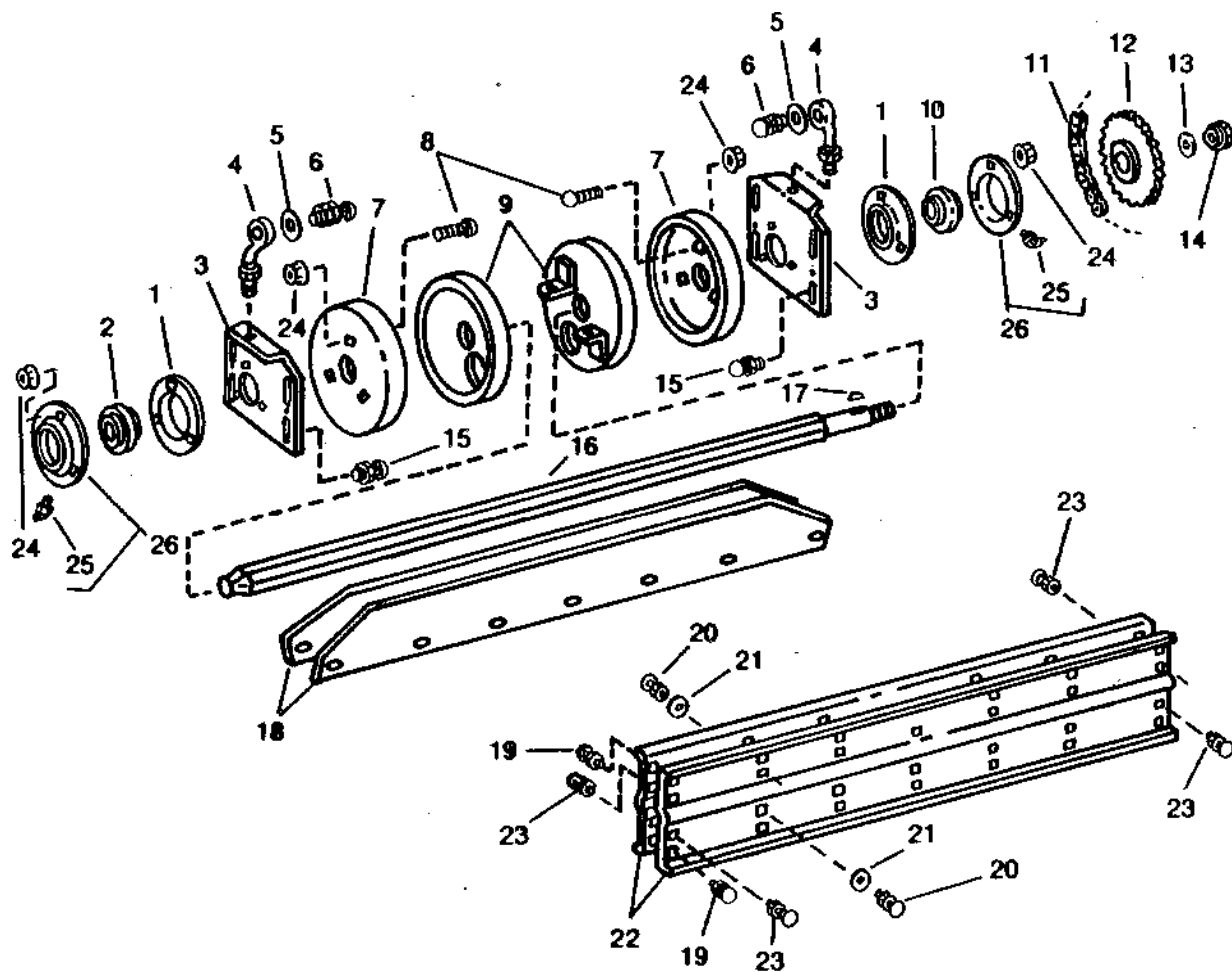
FEEDER HOUSE

FEEDER HOUSE LOWER SHAFT, PADDLES AND SPROCKET

(SIDEHILL)

HP4868

-UN-01JAN94



HP4868

3F18

FEEDER HOUSE

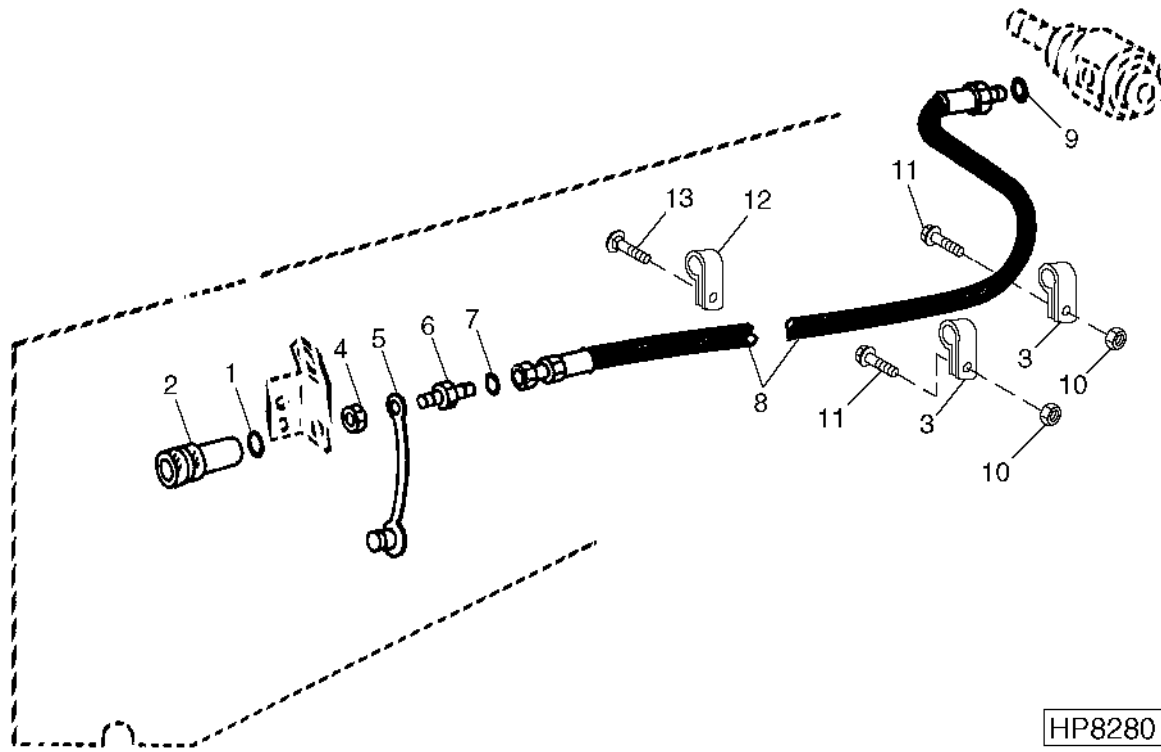
FEEDER HOUSE LOWER SHAFT, PADDLES AND SPROCKET - CONTINUED
(SIDEHILL)

KEY	PART NO.	PART NAME	QTY	SERIAL NO.	0 H	REMARKS
					9	
					5	
					9 5	
					5 0	
					5 S	
					0 H	
1	E76584	PRESSED FLANGED HOUSING	2		X	
2	JD9407	BALL BEARING	1		X	
3	H145061	BRACKET	1		X	R.H.
	H145062	BRACKET	1		X	L.H.
4	H116065	EYEBOLT	2		X	
	14M7299	FLANGE NUT	2		X	M12
5	24M7047	WASHER	2		X	13 X 24 X 2.500 MM
6	03M7200	BOLT	2		X	M12 X 40
	14M7299	FLANGE NUT	2		X	M12
7	H88069	SHIELD	2		X	
8	03M7193	BOLT	6		X	M10 X 35
9	AH89427	DEFLECTOR	2		X	
10	JD10007	BALL BEARING	1		X	
11	LINK CHAIN	1		X	ROLLER, TYPE 60, 19 MM (3/4") PITCH, 54 LINKS, (ASSEMBLE FROM (2) AP6093H, (2) P30350, (2) P20351 AND P20352
12	AH135613	DRIVE SPROCKET	1		X	26 TOOTH
13	24M7242	WASHER	1		X	21.400 X 42 X 5 MM
14	A31870	LOCK NUT	1		X	M20
15	03M7183	BOLT	8		X	M8 X 16
	14M7298	FLANGE NUT	8		X	M8
16	H141236	SHAFT	1		X	
17	26H31	SHAFT KEY	1		X	5/16" X 1-1/4"
18	H146237	PADDLE	2		X	THICK RUBBER SIDE TO FACE INCOMING CROP
19	03M7194	BOLT	18		X	M10 X 40
	14M7400	LOCK NUT	18		X	M10
20	03M7194	BOLT	18		X	M10 X 40
	14M7400	LOCK NUT	18		X	M10
21	24H1311	WASHER	18		X	13/32" X 1-1/4" X 0.220"
22	AH140105	PADDLE	2		X	
23	03M7194	BOLT	4		X	M10 X 40
	14M7400	LOCK NUT	4		X	M10
24	14M7296	FLANGE NUT	12		X	M10, (3 TO GO BETWEEN EACH DEFLECTOR AND HOLDER)
25	JD7788	LUBRICATION FITTING	2		X	45 DEGREES
26	AE46699	PRESSED FLANGED HOUSING	2		X	

3F19

FEEDER HOUSE

FEEDER HOUSE VARIABLE DRIVE HYDRAULIC HOSE
 HP8280 -UN-23JUL99



9
5
9 5
5 0
5 S
0 H

KEY	PART NO.	PART NAME	QTY	SERIAL NO.	REMARKS
1	R26375	O-RING	1	X	16.358 X 2.210 MM
2	AH75167	HYD. QUICK-CONNECT COUPLER	1	X	(INCLUDES INTERNAL O-RING)
3	T27523	CLAMP	2	X	
4	T81029	NUT	1	X	17.475 MM
5	H125403	PLUG	1	X	
6	AH121643	ORIFICE	1	X	
7	T77613	O-RING	1	X	9.246 X 1.778 MM
8	AH165964	HYDRAULIC HOSE	1	X	(AIRFLOW)
	AH131332	HYDRAULIC HOSE	1	X	6.4MM ID BY 900MM LONG 7/16-20, (WITHOUT AIRFLOW)
9	R28782	O-RING	1	X	8.915 X 1.829 MM
10	14M7299	FLANGE NUT	2	X	M12
11	19M7790	SCREW	2	X	M12 X 35
12	T27523	CLAMP	1	X	(WITH AIRFLOW)
13	03M7192	BOLT	1	X	M10 X 30, (WITH AIRFLOW)
	14M7296	FLANGE NUT	1	X	M10

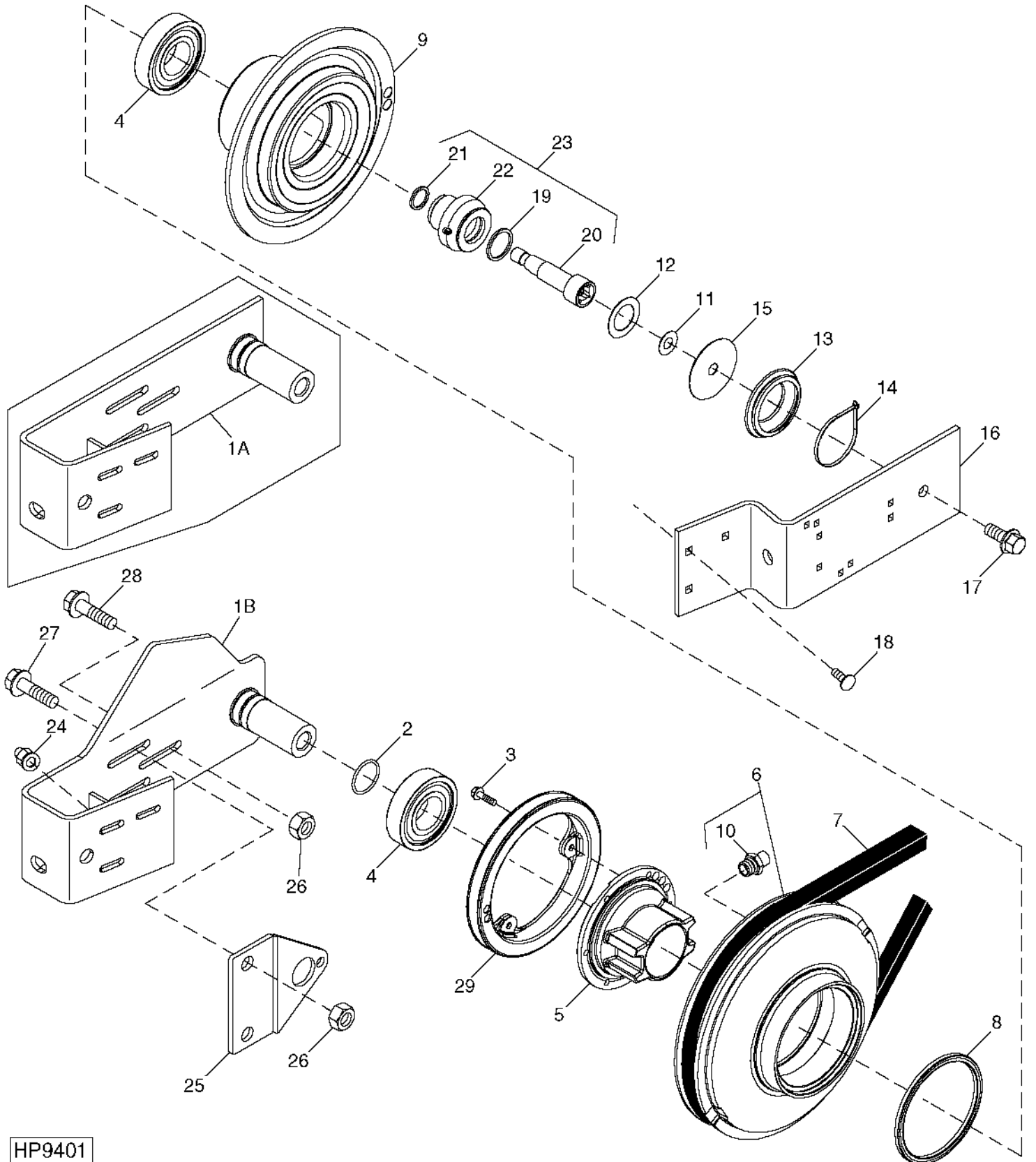
MEMORANDA

3F20

FEEDER HOUSE

VARIABLE DRIVE UPPER COUNTERSHAFT, SHEAVES AND SUPPORTS

HP9401 -UN-10DEC99



HP9401

3F21

FEEDER HOUSE

VARIABLE DRIVE UPPER COUNTERSHAFT, SHEAVES AND SUPPORTS - CONTINUED

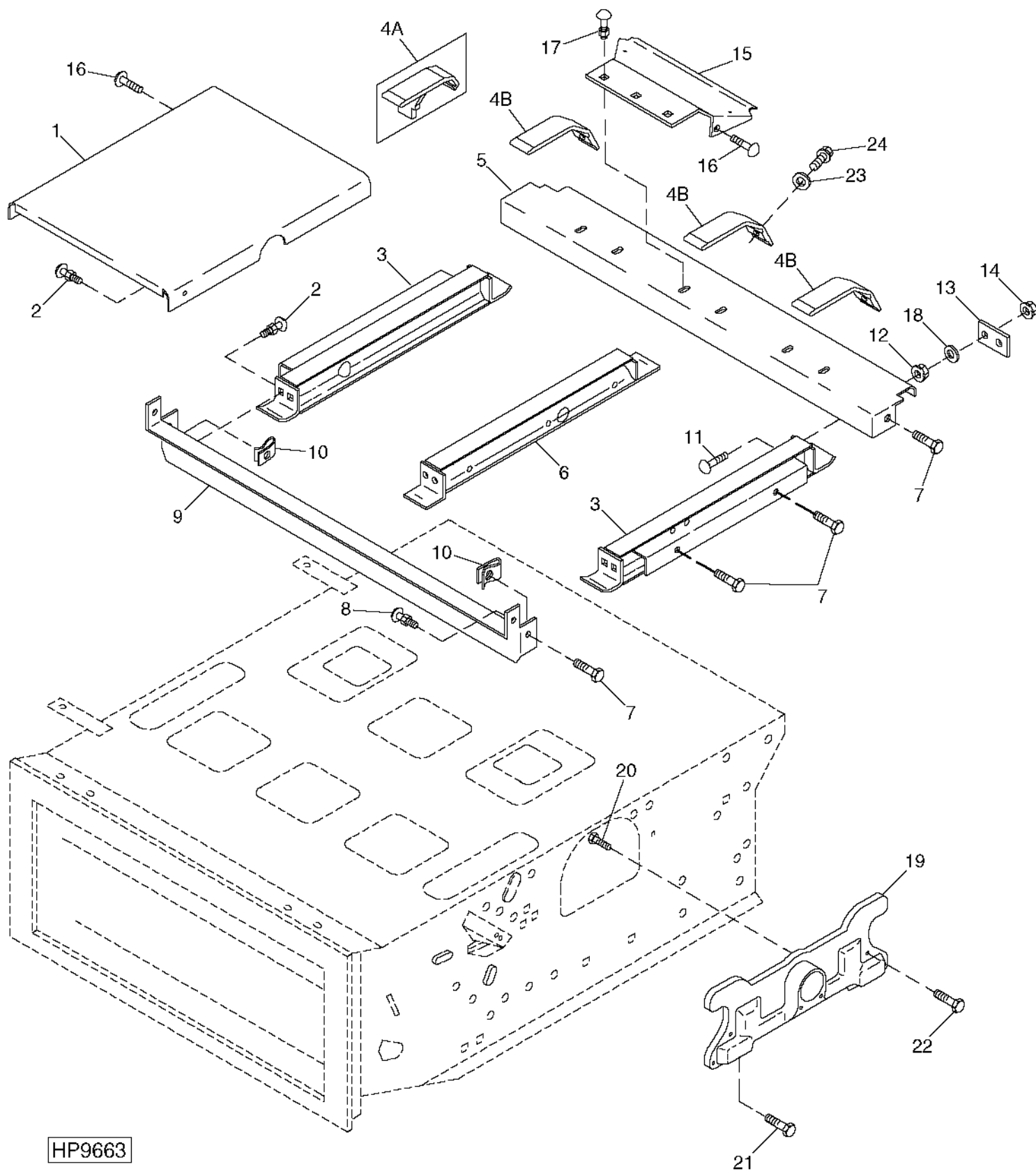
KEY	PART NO.	PART NAME	QTY	SERIAL NO.	0 H	REMARKS
					9	
					5	
					9 5	
					5 0	
					5 S	
					0 H	
1A	AH162787	STRAP	1		X X	(SUB AH167579)
1B	AH167579	STRAP	1		X X	
2	R31378	O-RING	1		X X	
3	19M7868	SCREW	6		X X	M8 X 30
4	JD10018	BEARING	2		X X	
5	H97378	HUB	1		X	W/O AIR FLOW
	H171206	HUB	1		X	WITH AIR FLOW
6	AH165220	SHEAVE	1		X X	360 MM (14-15/64") DIA. (STANDARD CAPACITY)
	AH165221	SHEAVE	1		X	380 MM (14-61/64") DIA. (HIGH CAPACITY)
7	H151952	BELT	1		X X	(STANDARD CAPACITY)
	H155998	BELT	1		X	(HI CAPACITY)
8	AH136497	SEAL	1		X X	
9	H160869	HALF SHEAVE	1		X X	318 MM (12-35/64") DIA. (STANDARD CAPACITY)
	H158578	SHEAVE	1		X	380 MM (14-61/64") DIA. (HIGH CAPACITY)
10	JD7759	LUBRICATION FITTING	2		X X	STRAIGHT, 1/8"
11	24H1740	WASHER	AR		X X	21/32" X 1-3/8" X 0.032", STRAIGHT, 1/4"
12	H101448	WASHER	AR		X X	38.500 X 60 X 0.800 MM (SPECIAL)
13	H93084	BOOT	1		X X	
14	H77698	TIE BAND	1		X X	SELF-LOCKING
15	H161388	WASHER	1		X X	
16	H166971	STRAP	1		X X	
17	19M7793	SCREW	1		X X	M16 X 40
18	03M7192	BOLT	3		X X	M10 X 30
19	H100247	SEAL	1		X X	
20	H161544	PISTON	1		X X	
21	H100246	SEAL	1		X X	
22	H100245	HYDRAULIC CYLINDER BARREL	1		X X	
23	AH154960	CYLINDER	1		X X	
24	14M7296	FLANGE NUT	3		X X	M10
25	H167257	BRACKET	1		X X	
26	14M7299	FLANGE NUT	3		X X	M12
27	19M7814	SCREW	2		X X	M12 X 50
28	19M7790	SCREW	3		X X	M12 X 35
29	H171312	SHEAVE	1		X X	WITH AIR FLOW

3F22

FEEDER HOUSE

FEEDER HOUSE RETURN FLOOR

HP9663 -UN-31MAR00



HP9663

3F23

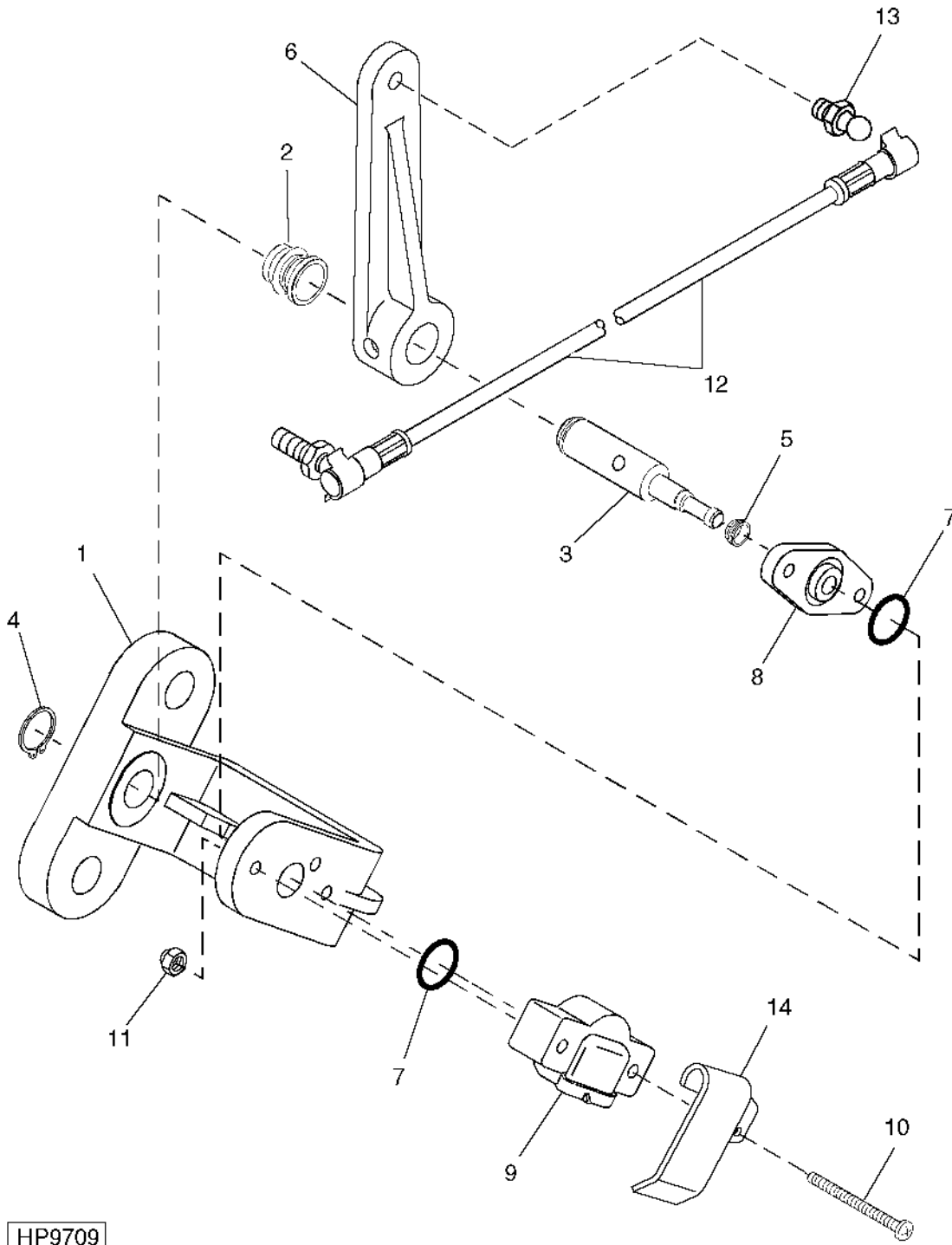
FEEDER HOUSE

FEEDER HOUSE RETURN FLOOR - CONTINUED

KEY	PART NO.	PART NAME	QTY	SERIAL NO.	0	5	9	REMARKS
							9	
							5	
							9	
							5	
							0	
							5	
							S	
							0	
							H	
1	AH155650	FLOOR	1		X	X		
2	03M7190	BOLT	10		X	X		M10 X 20
	14M7296	FLANGE NUT	10		X	X		M10
3	AH139243	RUNNER	2		X			OUTSIDE RUNNER
	AH139286	RUNNER	2		X			OUTSIDE RUNNER
4A	H148187	ANGLE	3	-685741	X			
	H148187	ANGLE	3	-685703	X			
4B	H171960	STRIP	3	685742-	X			
	H171960	STRIP	3	685704-	X			
5	AH141861	SUPPORT	1		X	X		
6	AH157942	RUNNER	1		X			INSIDE RUNNER
	AH139285	RUNNER	1		X			INSIDE RUNNER
7	19M7784	SCREW	8		X	X		M10 X 20
8	03M7191	BOLT	2		X	X		M10 X 25
	14M7296	FLANGE NUT	2		X	X		M10
9	H143358	CHANNEL	1		X	X		
10	H146457	NUT	2		X	X		10 MM
11	03M7194	BOLT	6	-685741	X			M10 X 40
	03M7194	BOLT	6	-685703	X			M10 X 40
	03M7190	BOLT	6	685742-	X			M10 X 20
	03M7190	BOLT	6	685704-	X			M10 X 20
12	14M7296	FLANGE NUT	8		X	X		M10
13	H150458	STRAP	3	-685741	X			
	H150458	STRAP	3	-685703	X			
14	14M7400	LOCK NUT	6	-685741	X			M10
	14M7400	LOCK NUT	6	-685703	X			M10
15	H145464	STRIPPER	3		X	X		TOP SHAFT
16	19M7785	SCREW	6		X	X		M10 X 25
17	03M7191	BOLT	6		X	X		M10 X 25
	14M7296	FLANGE NUT	6		X	X		M10
18	24M7028	WASHER	6	-685741	X			10.500 X 20 X 2 MM
	24M7028	WASHER	6	-685703	X			10.500 X 20 X 2 MM
19	H168278	SCOOP	2		X			
20	H165317	SCREW	4		X			
21	03M7198	BOLT	2		X			M12 X 30
22	03M7197	BOLT	4		X			
23	24M7101	WASHER	3	685742-	X			11 X 34 X 3 MM
	24M7101	WASHER	3	685704-	X			11 X 34 X 3 MM
24	H172222	SCREW	3	685742-	X			
	H172222	SCREW	3	685704-	X			

3F24

FEEDER HOUSE POSITION SENSOR
HP9709 -UN-18APR00



HP9709

3F25

FEEDER HOUSE

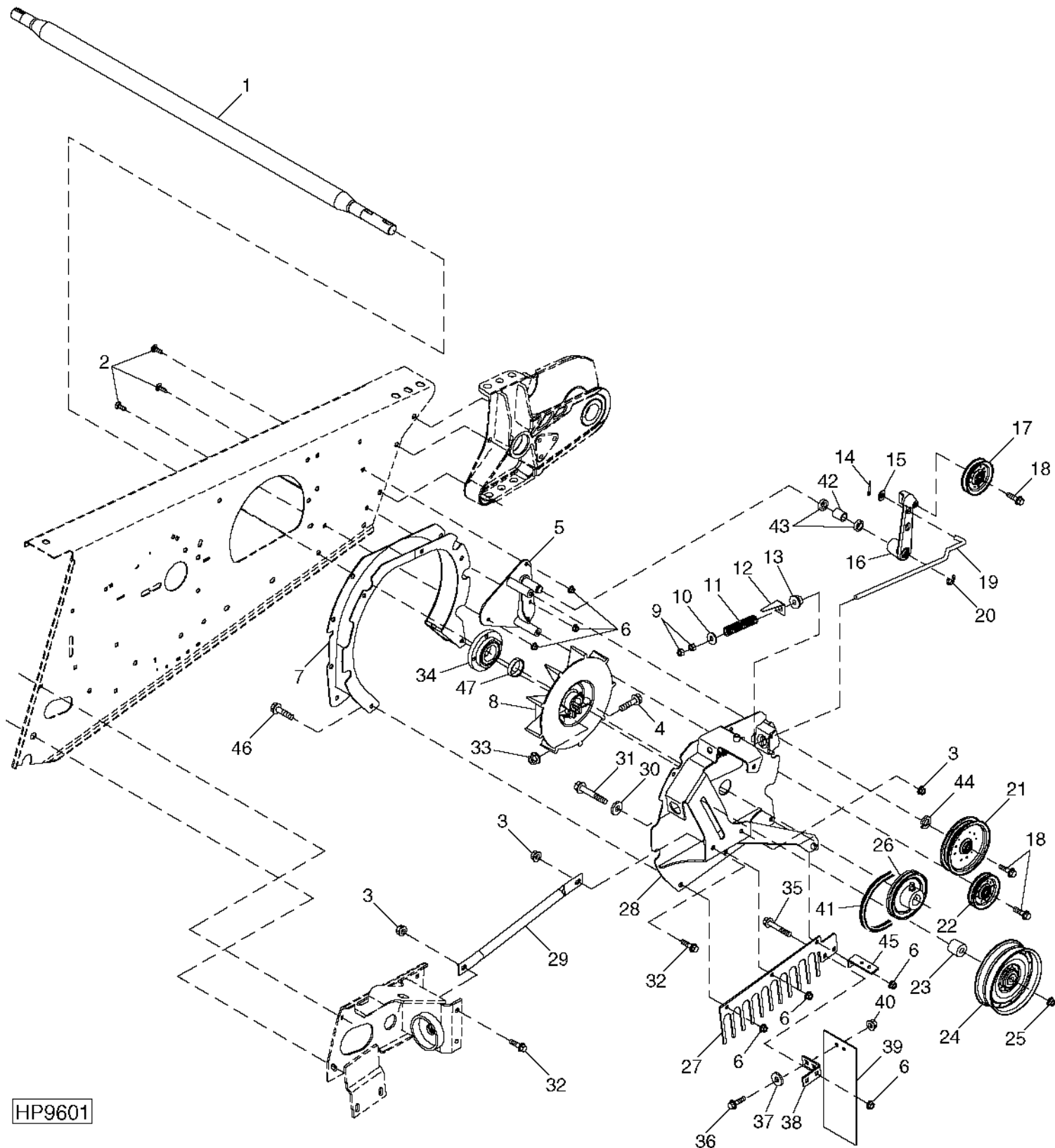
FEEDER HOUSE POSITION SENSOR - CONTINUED

KEY	PART NO.	PART NAME	QTY	SERIAL NO.	9 5 9 5 5 0 5 S 0 H	REMARKS
1	H156936	BRACKET	1		X X	
2	R41076	GROMMET	1		X X	
3	R111692	SHAFT	1		X X	
4	R26871	SNAP RING	1		X X	
5	R112679	SEAL	1		X X	
6	H166313	LEVER	1		X X	
7	P48347	O-RING	2		X X	
8	R86457	SUPPORT	1		X X	
9	RE56165	SENSOR	1		X X	
10	21M7261	SCREW	2		X X	M5 X 45
11	14M7297	NUT	2		X X	M5
12	AH166038	LINKAGE	1		X X	SPIKE TOOTH, LONG LINK (AS SHOWN)
13	H168732	BALL STUD	1		X X	
14	H172460	BRACKET	1		X X	

3G1

FEEDER HOUSE

L.H. SIDE FEEDER HOUSE DUST FAN
HP9601 -UN-09MAR00



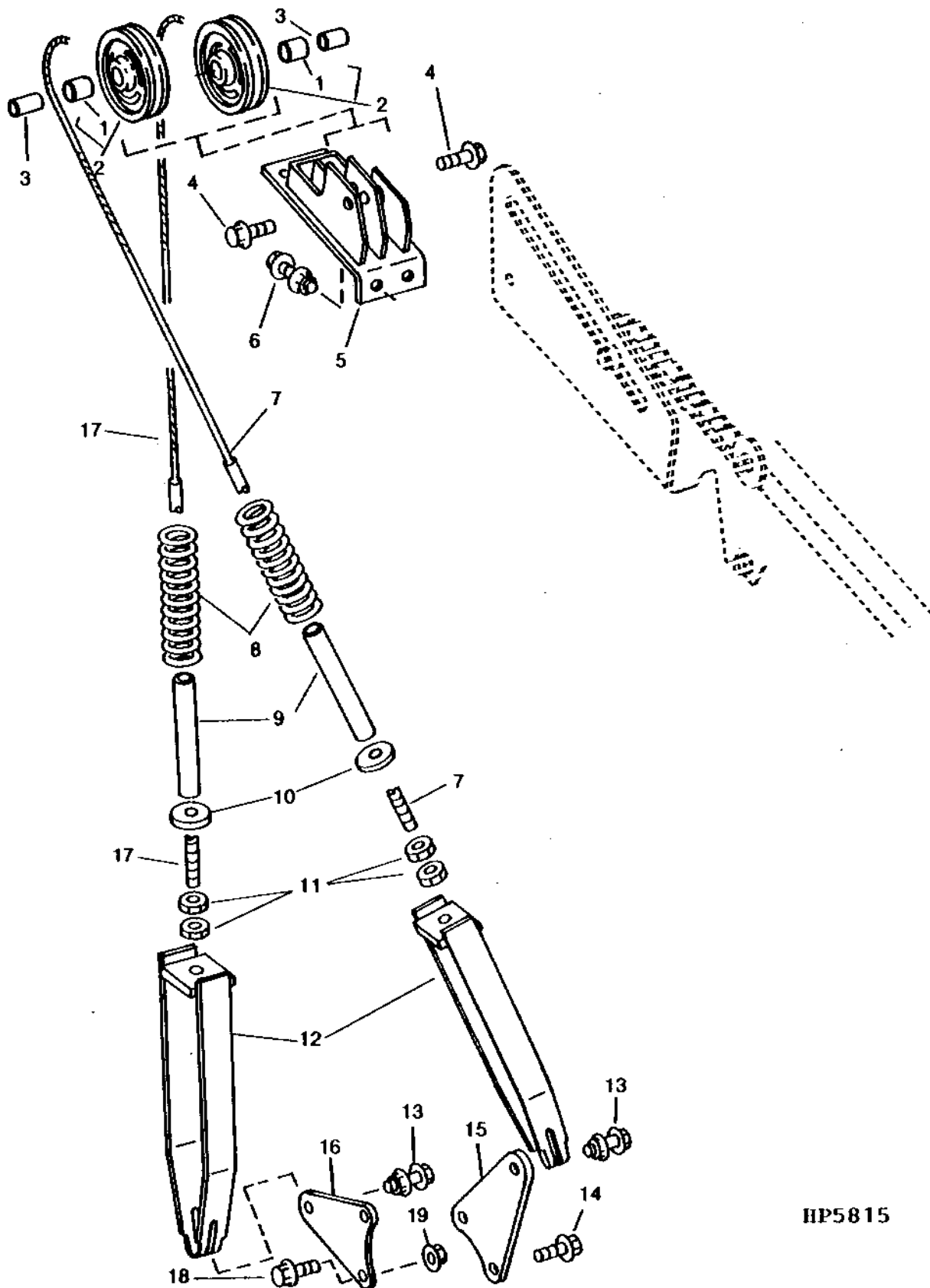
HP9601

L.H. SIDE FEEDER HOUSE DUST FAN - CONTINUED

KEY	PART NO.	PART NAME	QTY	SERIAL NO.	0 H	REMARKS
					9	
					5	
					9	
					5	
					0	
					5	
					S	
					0	
					H	
1	H171636	SHAFT	1		X X	
2	03M7192	BOLT	3		X X	M10 X 30
3	14M7299	FLANGE NUT	AR		X X	M12
4	19M7806	SCREW	1		X X	M10 X 50
5	AH165762	BRACKET	1		X X	
6	14M7296	FLANGE NUT	5		X X	M10
7	AH155657	PLATE	1		X X	
8	AH157415	FAN	1		X X	
9	14M7275	NUT	2		X X	M12
10	24M7180	WASHER	1		X X	13 X 37 X 3 MM
11	H173508	SPRING	1		X X	
12	H173899	GAUGE	1		X X	(SUB FOR H155062)
13	H129207	PIVOT	1		X X	
14	11M7021	COTTER PIN	1		X X	4 X 25 MM
15	24M7047	WASHER	1		X X	13 X 24 X 2.500 MM
16	AH165787	ARM	1		X X	
17	AH165788	SHEAVE	1		X X	
18	19M7813	SCREW	3		X X	M12 X 45
19	H171533	BOLT	1		X X	
20	P46402	SNAP RING	1		X X	
21	AH14097	SHEAVE	1		X X	
22	AH165788	SHEAVE	1		X X	
23	H156850	SPACER	1		X X	
24	AH166439	IDLER	1		X X	
25	14M7291	FLANGE NUT	1		X X	M16
26	AH155706	SHEAVE	1		X X	
27	H162425	FINGER	1		X X	
28	AH165496	COVER	1		X X	
29	H126371	BRACE	1		X X	
30	24H1698	WASHER	1		X X	16.662 X 41.275 X 6.350 MM
31	19M7828	SCREW	1		X X	M16 X 100
32	19M7789	SCREW	2		X X	M12 X 30
33	H135891	LOCK NUT	1		X X	
34	AH157168	BEARING	1		X X	
35	19M7845	SCREW	1		X X	M16 X 90
36	03M7191	BOLT	4		X X	M10 X 25
37	24M7178	WASHER	4		X X	10.500 X 30 X 2.500 MM
38	H164009	BRACKET	1		X X	
39	H164018	LIMIT CURTAIN	1		X X	
40	14M7400	LOCK NUT	4		X X	M10
41	H171386	BELT	1		X	AIR FLOW FAN DRIVE
42	H98654	BUSHING	1		X	
43	AA5607R	SEAL	2		X	
44	24M7180	WASHER	1		X	13 X 37 X 3 MM
45	H171513	BRACKET	1		X	
46	19M7784	SCREW	3		X X	M10 X 20
47	AH133191	ECCENTRIC LOCKING COLLAR	1		X	

LEVELING CABLES, SHEAVES AND BRACKETS (UPPER REAR)

HP5815 -UN-01JAN94



HP5815

3G4

FEEDER HOUSE

LEVELING CABLES, SHEAVES AND BRACKETS (UPPER REAR) - CONTINUED

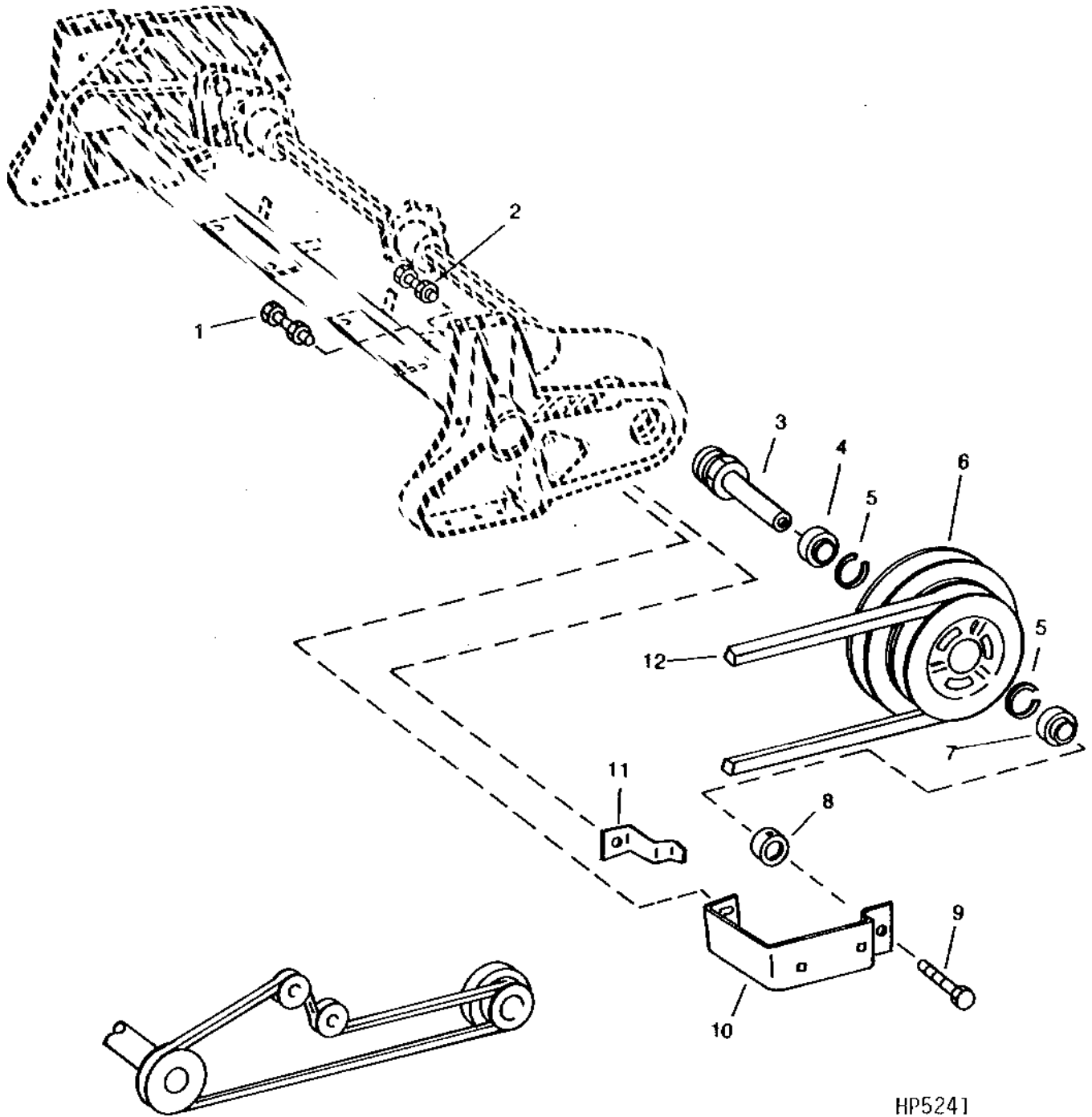
KEY	PART NO.	PART NAME	QTY	SERIAL NO.	9 5 9 5 5 0 5 S 0 H	REMARKS
1	H87502	BUSHING	2		X	
2	AH88920	PULLEY	2		X	
3	H88096	SPACER	2		X	13.487 X 22.200 X 35.052 MM (17/32" X 0.874" X 1.380")
4	19M8306	SCREW	2		X	M12 X 50
5	AH139315	BRACKET	1		X	
6	19M7788	SCREW	5		X	M12 X 25
	14M7299	FLANGE NUT	5		X	M12
7	AH138813	CABLE	1		X	2 625 MM (103-11/32") UPPER
8	A37553	SPRING	2		X	
9	H144885	BUSHING	2		X	19.025 X 34.925 X 198 MM (0.749" X 1-3/8" X 7.795")
10	24H1374	WASHER	2		X	21/32" X 3" X 3/8"
11	14H821	NUT	4		X	5/8"
12	AH142156	CLEVIS	2		X	
13	19M7817	SCREW	2		X	M12 X 70
	14M7299	FLANGE NUT	2		X	M12
14	19M7790	SCREW	2		X	M12 X 35
15	H145350	PLATE	1		X	UPPER
16	H145351	PLATE	1		X	LOWER
17	AH138814	CABLE	1		X	3 505 MM (138") LOWER
18	19M7817	SCREW	2		X	M12 X 70
19	14M7299	FLANGE NUT	2		X	M12

3G5

FEEDER HOUSE

UPPER DRIVE SHAFT, SHEAVE AND MOUNTINGS (FIXED SPEED WITH REVERSER)

HP5241 -UN-01JAN94



3G6

FEEDER HOUSE

UPPER DRIVE SHAFT, SHEAVE AND MOUNTINGS - CONTINUED
(FIXED SPEED WITH REVERSER)

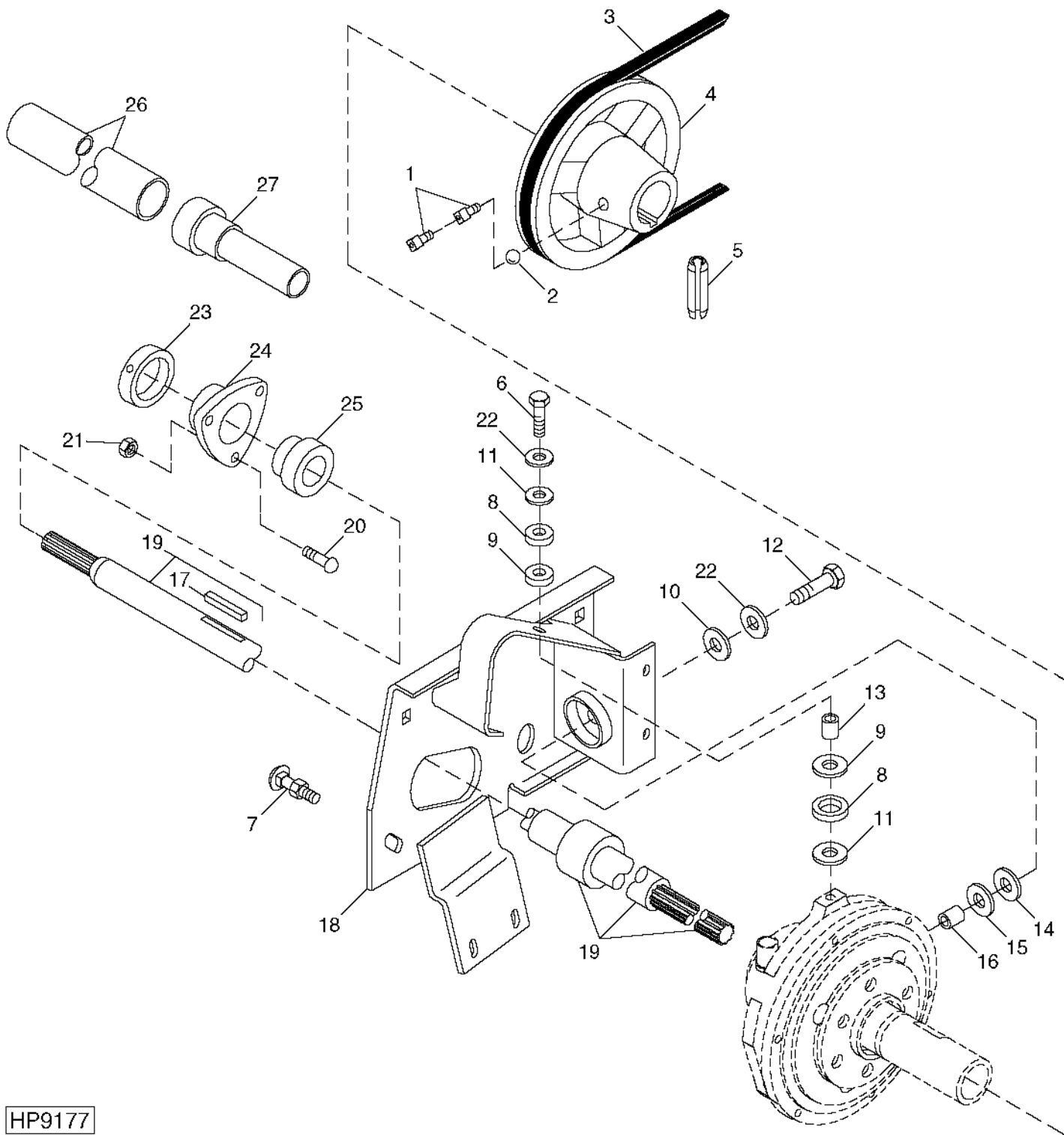
KEY	PART NO.	PART NAME	QTY	SERIAL NO.	9 5 9 5 5 0 5 S 0 H	REMARKS
1	19M7790	SCREW	1	X		M12 X 35
	14M7299	FLANGE NUT	1	X		M12
2	19M7789	SCREW	1	X		M12 X 30
	14M7299	FLANGE NUT	1	X		M12
3	AH125454	SHAFT	1	X		
4	JD9301	BALL BEARING	1	X		
5	P46874	SNAP RING	2	X		
6	H126261	SHEAVE	1	X		
7	JD9356	BALL BEARING	1	X		
8	JD8576	ECCENTRIC LOCKING COLLAR	1	X		
9	19M7790	SCREW	1	X		M12 X 35
10	H172142	STRAP	1	X		
11	H126302	SCRAPER	1	X		
12	H126345	BELT	1	X		

3G7

FEEDER HOUSE

FRONT DRIVE SHAFT, SHEAVE AND MOUNTINGS (FIXED SPEED WITH REVERSER)

HP9177 -UN-15OCT99



HP9177

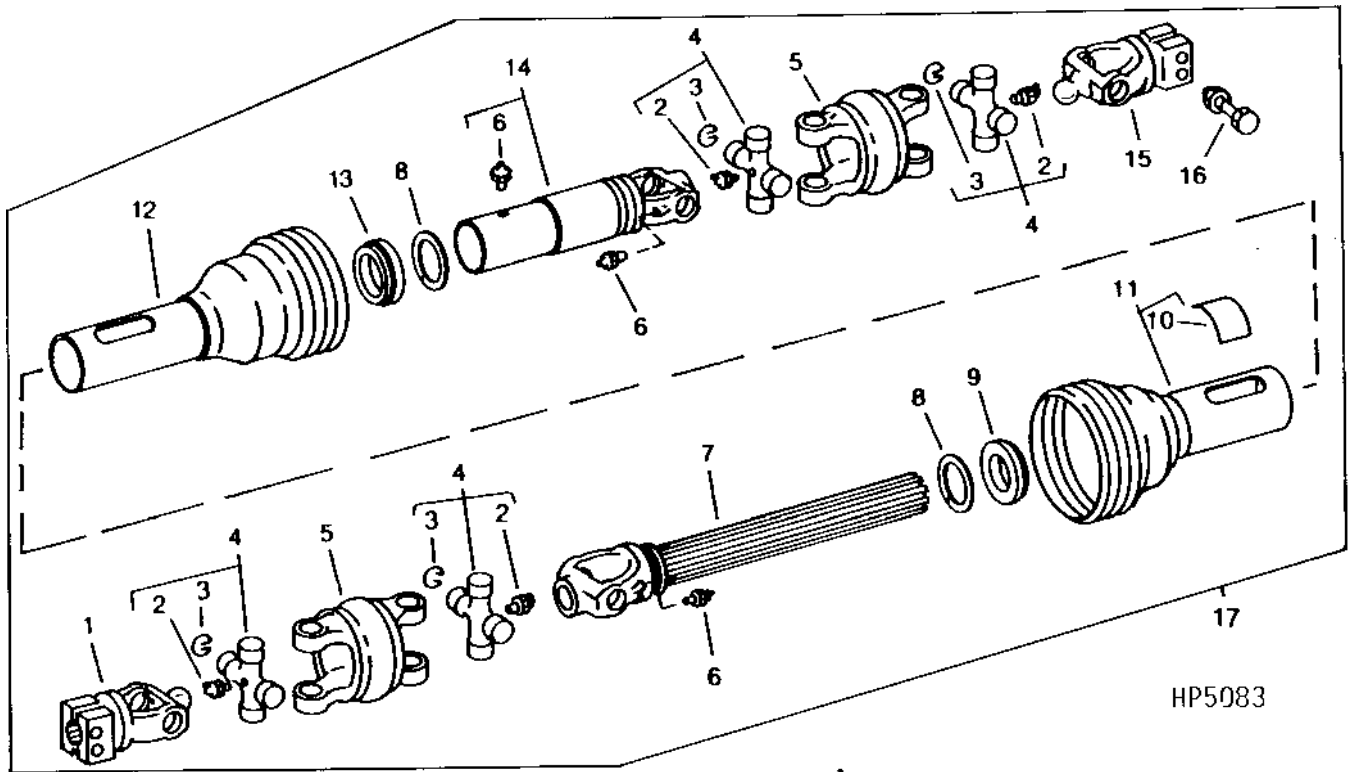
**FRONT DRIVE SHAFT, SHEAVE AND MOUNTINGS - CONTINUED
(FIXED SPEED WITH REVERSER)**

KEY	PART NO.	PART NAME	QTY	SERIAL NO.	9550		REMARKS
					50	5S	
					9		
					5		
					9	5	
					5	0	
					5	S	
					0	H	
1	22H775	SET SCREW	2		X		5/16" X 1/4"
2	H110922	BALL	1		X		
3	H126345	BELT	1		X		
4	H108889	SHEAVE	1		X		
5	34H305	SPRING PIN	1		X		7/32" X 2"
6	19M7826	SCREW	1		X		M16 X 70
7	03M7191	BOLT	4		X		M10 X 25
	14M7296	FLANGE NUT	5		X		M10
	03M7192	BOLT	1		X		M10 X 30
8	H148132	CUSHION	2		X		
9	H148133	RETAINER	2		X		
10	T55761	SUPPORT	1		X		
11	H163726	WASHER	3		X		
12	19M7845	SCREW	1		X		M16 X 90
13	H148134	SPACER	1		X		
14	R62502	SUPPORT	1		X		
15	H97410	WASHER	1		X		
16	H95417	SPACER	1		X		
17	26H104	SHAFT KEY	1		X		5/16" X 2-1/8"
18	AH150451	SUPPORT	1		X		
	AH135124	SUPPORT	1				
19	AH152937	SHAFT	1		X		(CORN)
20	03M7192	BOLT	3		X		M10 X 30
21	14M7296	FLANGE NUT	3		X		M10
22	24M7241	WASHER	1		X		17 X 34 X 4 MM
23	JD9201	ECCENTRIC LOCKING COLLAR	1		X		
24	H93927	HOUSING	1		X		
25	JD9202	BALL BEARING	1		X X		
26	H127604	TUBE	1		X		(GRAIN)
27	AH122495	SHIELD	1		X		(GRAIN)

3G9

FEEDER HOUSE

HEADER DRIVE SHAFT - SIDEHILL -
(FOR ALL HEADERS EXCEPT 444 CORN HEAD AND 914 BPU)
HP5083 -UN-01JAN94



3G10

FEEDER HOUSE

HEADER DRIVE SHAFT - SIDEHILL - CONTINUED
(FOR ALL HEADERS EXCEPT 444 CORN HEAD AND 914 BPU)

KEY	PART NO.	PART NAME	QTY	SERIAL NO.	9 5 9 5 5 0 5 S 0 H	REMARKS
1	AH141236	UNIVERSAL JOINT YOKE	1		X	
2	JD7760	LUBRICATION FITTING	1		X	
3	BP12946	SNAP RING	1		X	
4	AE23516	CROSS AND BEARING ASSEMBLY	4		X	
5	AH141237	UNIVERSAL JOINT YOKE	2		X	
6	JD7842	LUBRICATION FITTING	3		X	
7	AH141238	YOKE, WITH SHAFT	2		X	
8	SNAP RING	2		X	(ORDER AH143512)
9	H147467	PTO SHIELD RETAINER	1		X	
10	DECAL	1		X	
11	AH141239	POWERSHAFT SHIELD	1		X	
12	AH141241	POWERSHAFT SHIELD	1		X	
13	BALL BEARING	1		X	(ORDER AH143512)
14	AH141240	YOKE, WITH TUBE	1		X	
15	AH141242	UNIVERSAL JOINT YOKE	1		X	
16	19M7817	SCREW	4		X	M12 X 70
	14M7401	LOCK NUT	4		X	M12
17	AH141138	UNIVERSAL DRIVESHAFT	2		X	COMPLETE
..	AH143512	KIT	1		X	

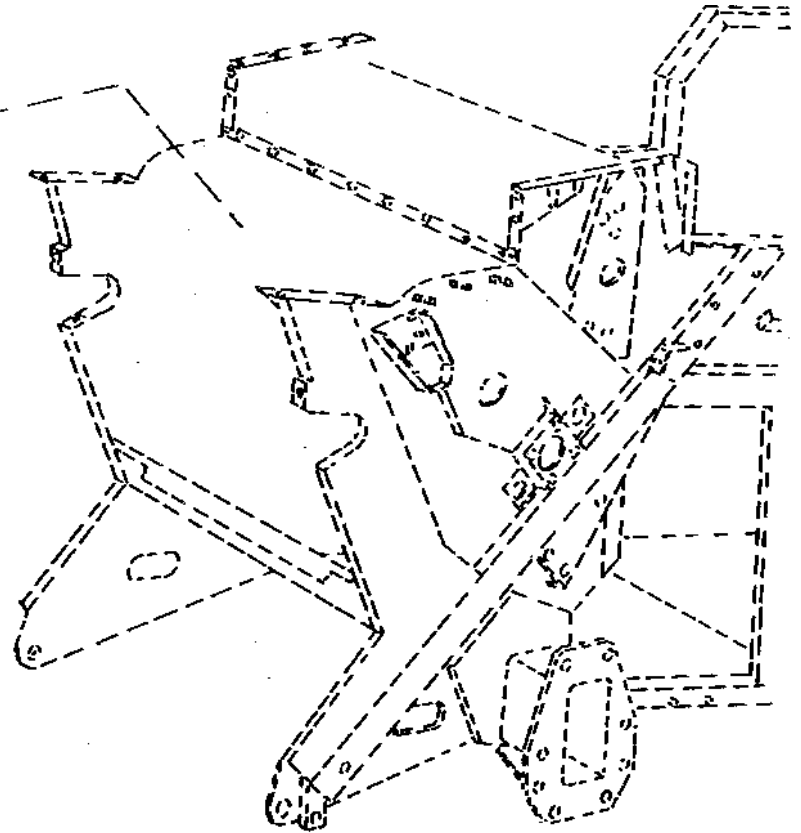
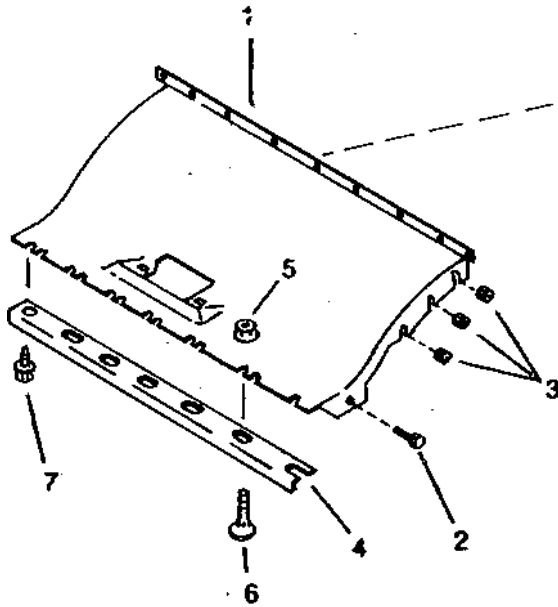
MEMORANDA

3G12

THRESHING AND SEPARATION

THRESHING CYLINDER COVER

HP5192 -UN-01JAN94



HP5192

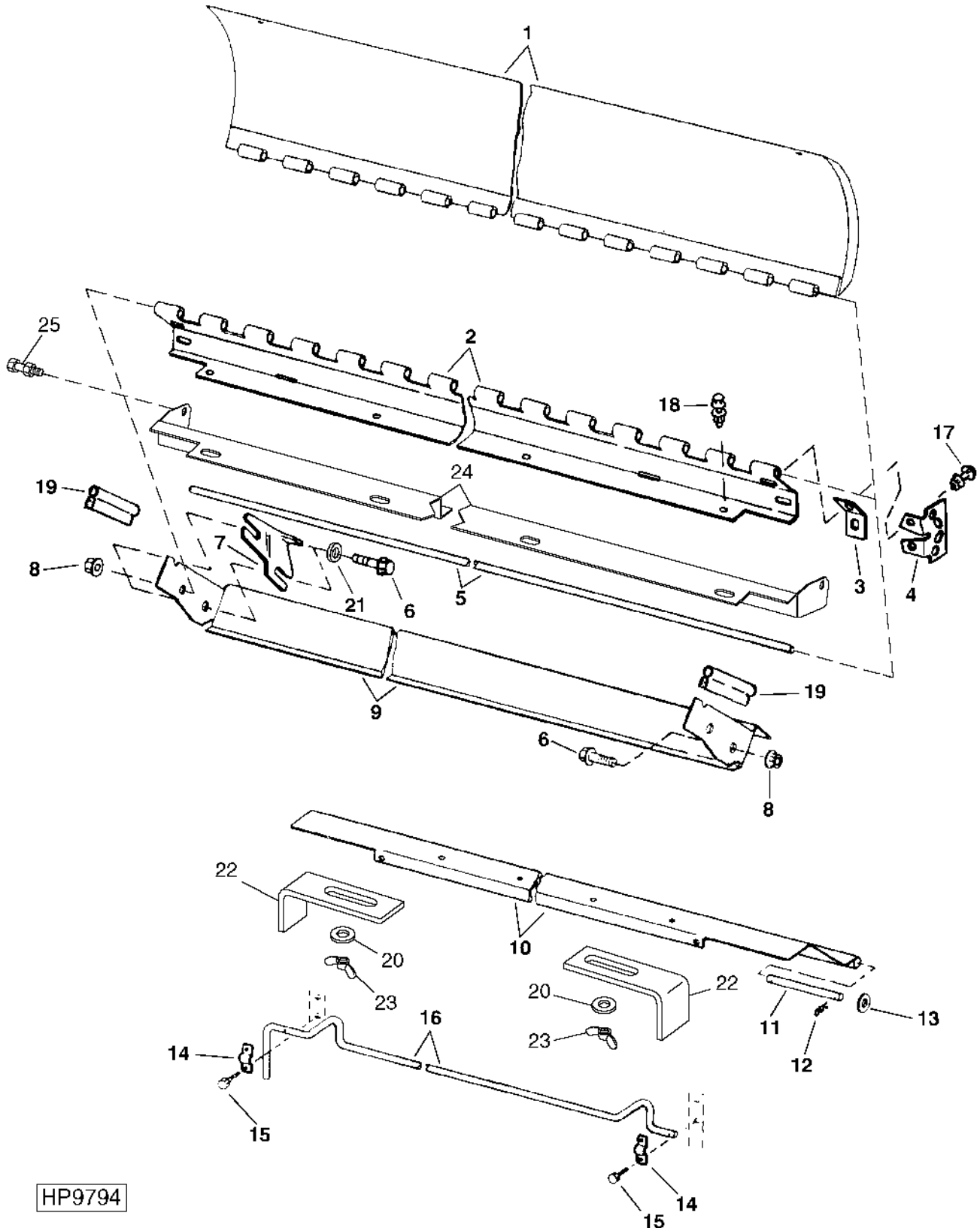
KEY	PART NO.	PART NAME	QTY	SERIAL NO.	REMARKS
1	H147845	COVER	1	X X	
2	19M7785	SCREW	2	X X	M10 X 25
3	14M7296	FLANGE NUT	8	X X	M10
4	H134168	SEAL	1	X X	CORN ONLY
5	14M7298	FLANGE NUT	6	X X	M8
6	19M7866	SCREW	6	X X	M8 X 20
7	37M7058	SCREW	1	X X	M8 X 20

9
5
9 5
5 0
5 S
0 H

3G13

THRESHING AND SEPARATION

SEPARATOR / FEEDER HOUSE SEAL, STONE TRAP AND DOOR
HP9794 -UN-31MAY00



HP9794

3G14

THRESHING AND SEPARATION

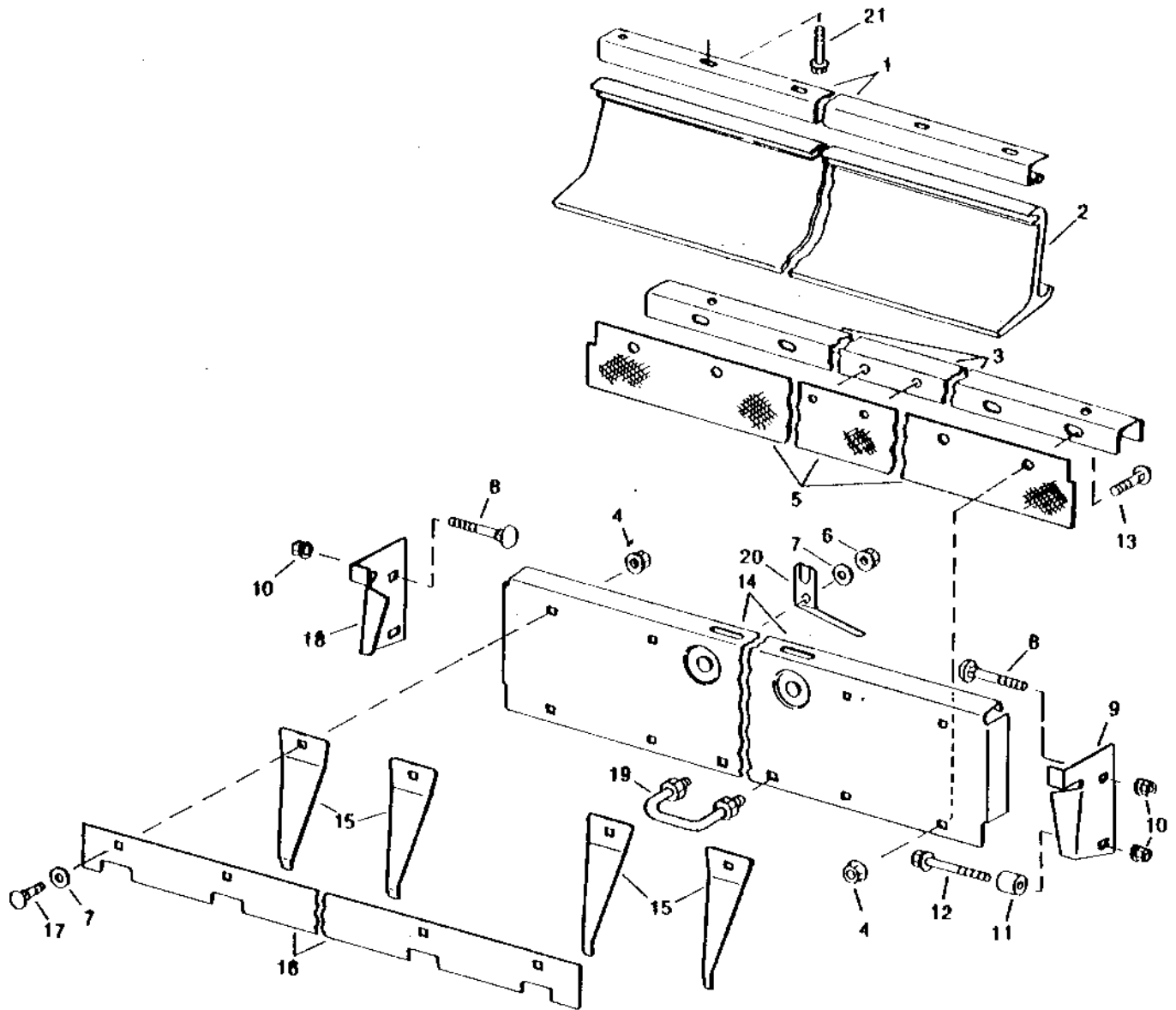
SEPARATOR / FEEDER HOUSE SEAL, STONE TRAP AND DOOR - CONTINUED

KEY	PART NO.	PART NAME	QTY	SERIAL NO.	0 H	REMARKS
					9	
					5	
					9	
					5	
					5	
					0	
					5	
					S	
					0	
					H	
1	AH160604	PLATE	1		X	FEED
	AH162417	PLATE	1		X	FEED
2	AH161812	HINGE	1		X	
	AH162418	HINGE	1		X	
3	H148019	REINFORCEMENT	2		X X	
4	H148018	SUPPORT	2		X X	
5	H117953	PIN	1		X X	
6	19M7812	SCREW	6		X X	M10 X 100
7	H146730	STOP	1		X X	CASTING
8	14M7296	FLANGE NUT	6		X X	M10
9	H151067	DEFLECTOR	1		X X	
10	H134335	DOOR	1		X	
	AH135835	DOOR	1		X	
11	H148925	PIN	2		X X	
12	11M7030	COTTER PIN	4		X X	
13	24M7051	WASHER	2		X X	
14	H134339	BRACKET	2		X	
15	37M7080	SCREW	4		X	M10 X 30
16	H134338	ROD	1		X	
17	19M7785	SCREW	4		X X	M10 X 25
	14M7296	FLANGE NUT	4		X X	M10
18	19M7866	SCREW	4		X X	(A) M8 X 20
	14M7298	FLANGE NUT	4		X X	(A) M8
19	H151068	SHIELD	2		X X	
20	H141123	NUT	1		X	
21	24M7178	WASHER	2		X X	
22	H143855	ANGLE	2		X	
23	14M7020	WING NUT	2		X	
24	H148023	ANGLE	1		X	(A)
25	19M7812	SCREW	2		X	(A) M10 X 100
	14M7296	FLANGE NUT	2		X	(A) M10
..	AH142780	ANGLE	1			INCLUDES PARTS MARKED (A)

3G15

THRESHING AND SEPARATION

CYLINDER DOOR
(GRAIN AND RICE)
HP5678 -UN-01JAN94



HP5678

3G16

THRESHING AND SEPARATION

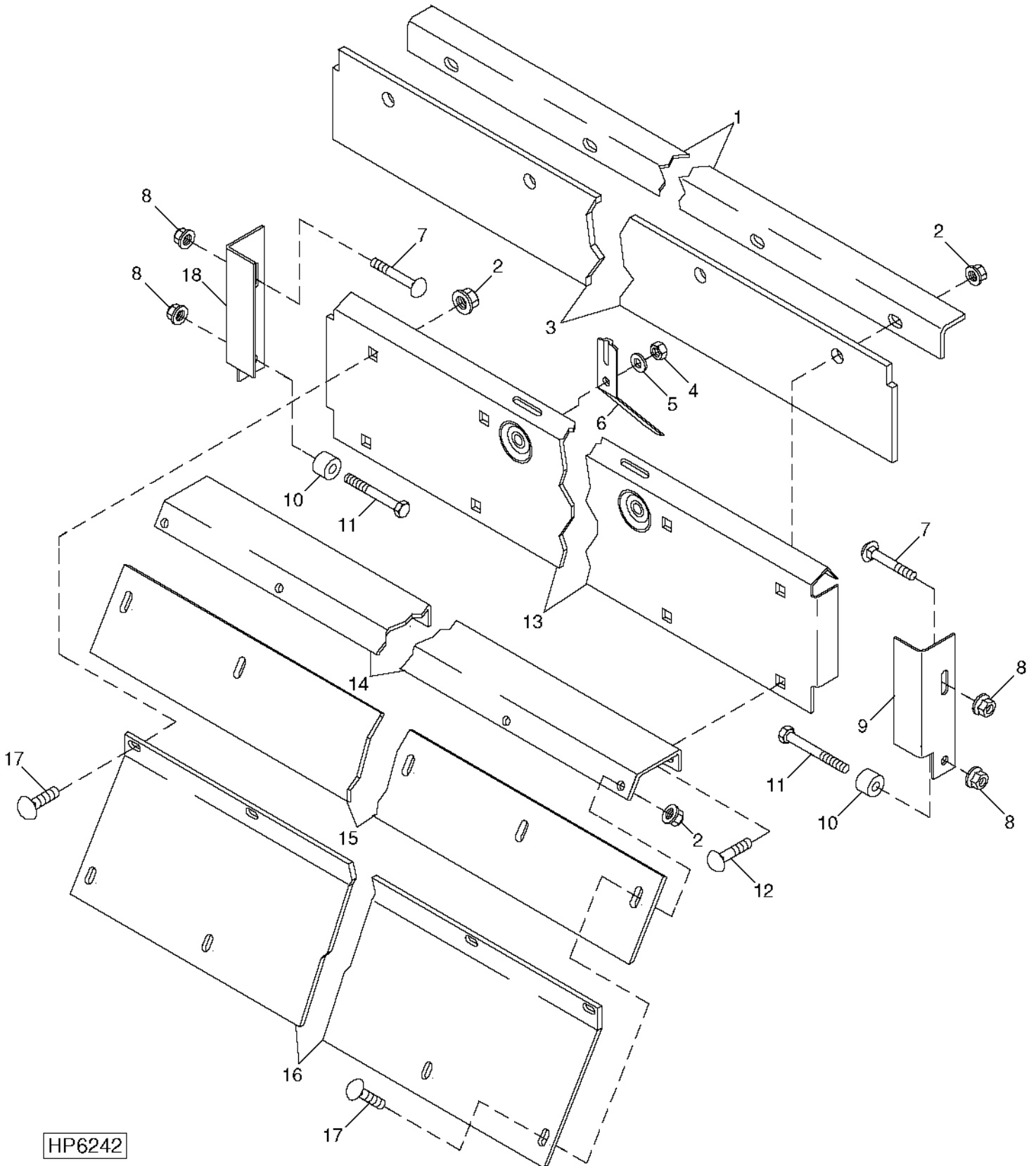
CYLINDER DOOR - CONTINUED
(GRAIN AND RICE)

KEY	PART NO.	PART NAME	QTY	SERIAL NO.	REMARKS
					9
					5
					9 5
					5 0
					5 S
					0 H
1	H150128	HINGE	1	X X	
2	AH144104	DEFLECTOR	1	X X	
	H150134	SEAL	2	X X	
3	H150130	SUPPORT	1	X X	
4	14M7298	FLANGE NUT	16	X X	M8
5	H150133	SEAL	1	X X	
6	14M7396	LOCK NUT	2	X X	M8
7	24M7047	WASHER	2	X X	13 X 24 X 2.500 MM
8	03M7247	BOLT	2	X X	M10 X 90
9	SUPPORT	1	X X	(ORDER AH144609) (INCLUDES BOTH R.H. AND L.H. SUPPORTS)
10	14M7296	FLANGE NUT	4	X X	M10
11	E50096	BUSHING	2	X X	
12	19M7944	SCREW	2	X X	M10 X 120
13	03M7184	BOLT	9	X X	M8 X 20
14	AH130202	DOOR	1	X X	
15	H148058	SPRING	5	X X	
16	H148066	STRIP	1	X X	
17	03M7183	BOLT	7	X X	M8 X 16
18	SUPPORT	1	X X	(ORDER AH144609) (INCLUDES BOTH R.H. AND L.H. SUPPORTS)
19	H150131	U-BOLT	1	X X	
	14H785	NUT	4	X X	5/16"
	14H1042	NUT	1	X X	5/16"
20	H134654	HANDLE	2	X X	
21	19M7866	SCREW	7	X X	M8 X 20

3G17

THRESHING AND SEPARATION

CYLINDER DOOR (CORN)
HP6242 -UN-24AUG99



HP6242

3G18

THRESHING AND SEPARATION

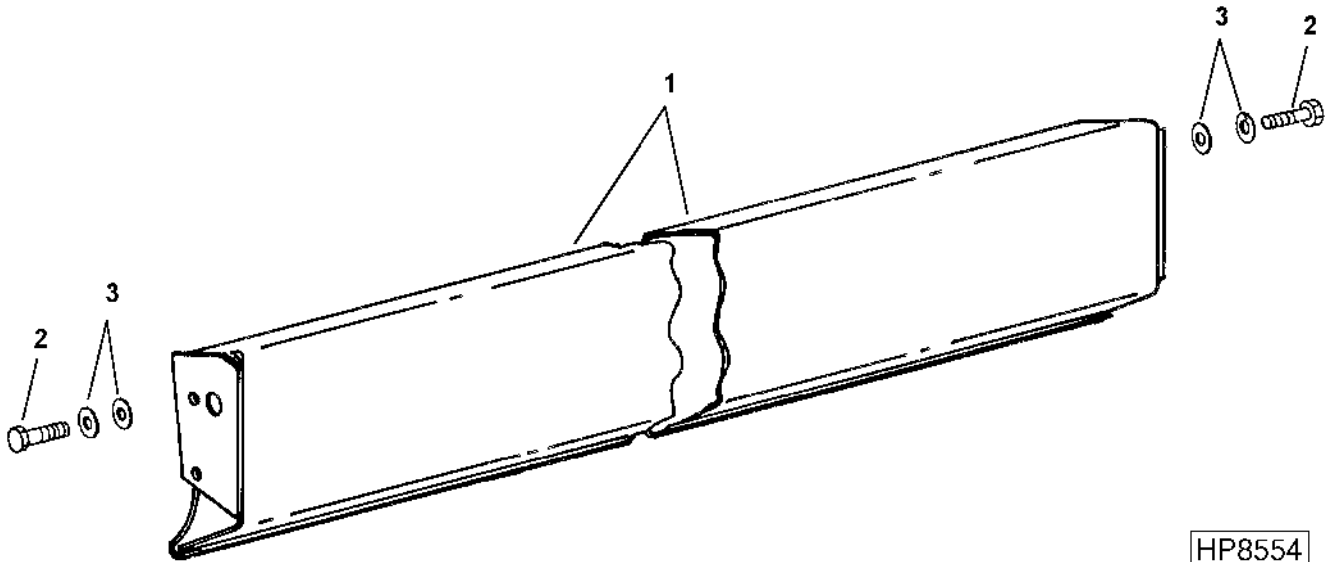
CYLINDER DOOR (CORN) - CONTINUED

KEY	PART NO.	PART NAME	QTY	SERIAL NO.	0 H	REMARKS
					9	
					5	
					9 5	
					5 0	
					5 S	
					0 H	
1	H148063	SUPPORT	1		X X	
2	14M7298	FLANGE NUT	AR		X X	M8
3	H150133	SEAL	1		X X	
4	14M7396	LOCK NUT	2		X X	M8
5	24M7207	WASHER	2		X X	8.400 X 24 X 2 MM
6	H134654	HANDLE	2		X X	
7	03M7247	BOLT	2		X X	M10 X 90
8	14M7296	FLANGE NUT	4		X X	M10
9	H134165	SUPPORT	1		X X	
10	E50096	BUSHING	2		X X	
11	19M7944	SCREW	2		X X	M10 X 120
12	03M7185	BOLT	9		X X	M8 X 25
13	AH130202	DOOR	1		X X	
14	H134154	REINFORCEMENT	1		X X	
15	H134163	SEAL	1		X X	
16	H134151	ISOLATOR	1		X X	
17	03M7183	BOLT	AR		X X	M8 X 16
18	H134164	SUPPORT	1		X X	

3G19

THRESHING AND SEPARATION

CYLINDER SHEAR BAR
HP8554 -UN-06MAY99

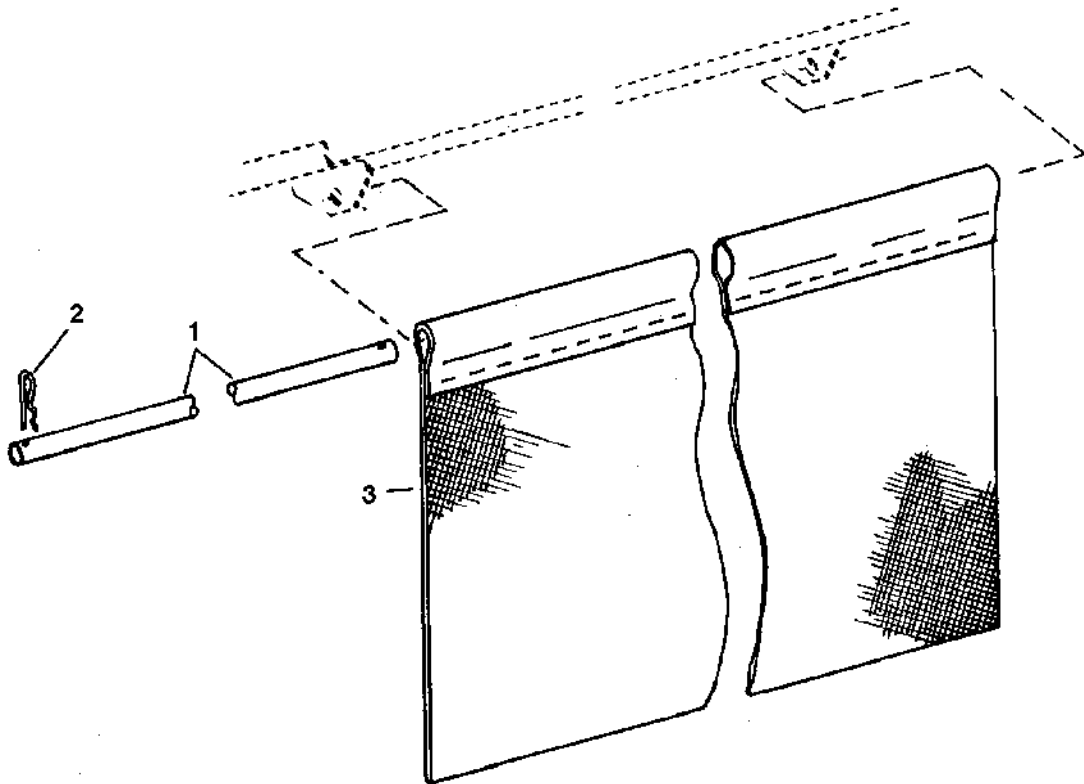


KEY	PART NO.	PART NAME	QTY	SERIAL NO.	9 5 9 5 5 0 5 S 0 H	REMARKS
1	AH141618	STRIPPER	1		X X	
2	37M7080	SCREW	4		X X	
3	24M7101	WASHER	4		X X	11 X 34 X 3 MM

3G20

THRESHING AND SEPARATION

SEPARATOR CURTAIN
(RASP BAR CYLINDER)
HP6897 -UN-18AUG97



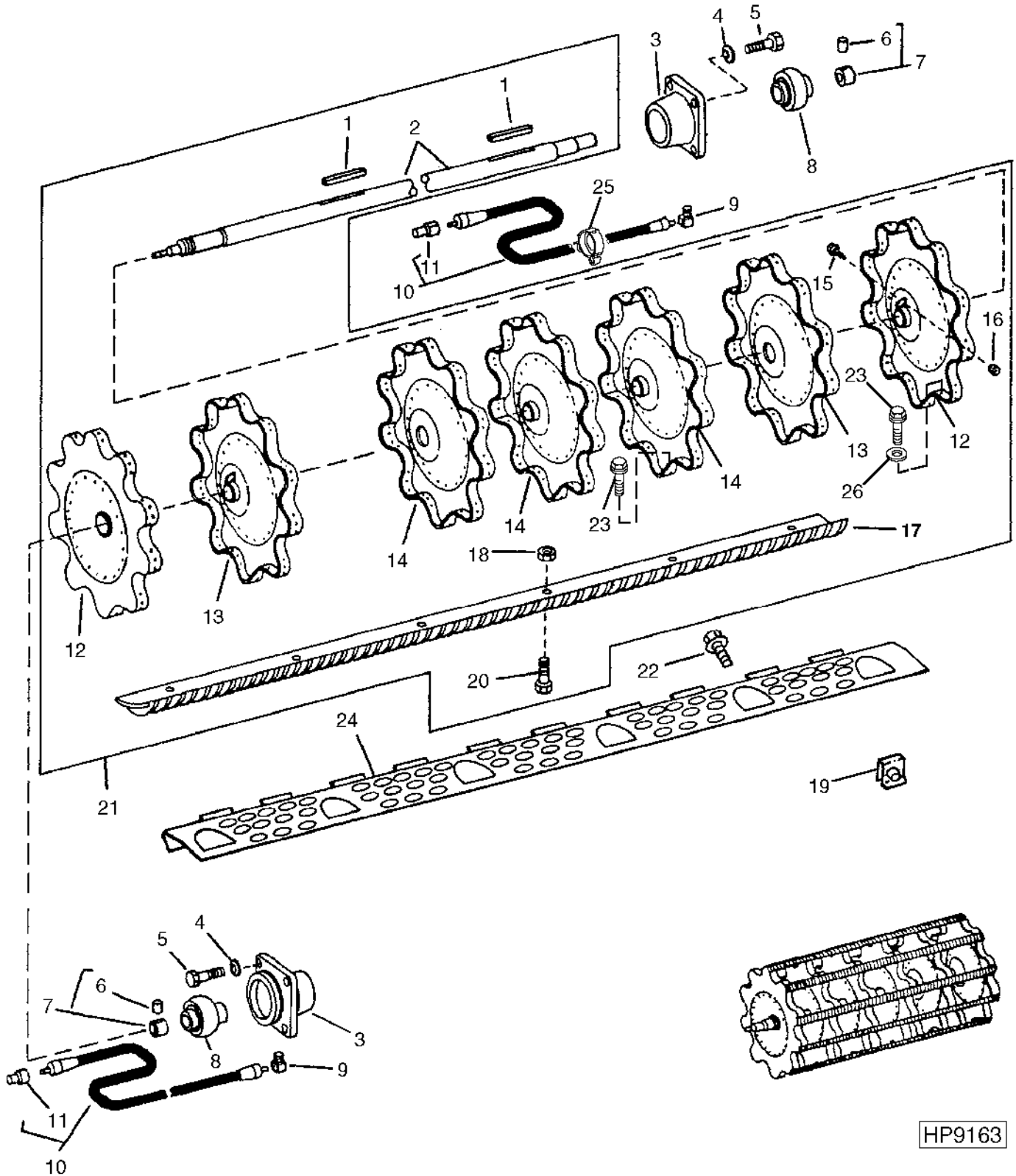
HP6897

KEY	PART NO.	PART NAME	QTY	SERIAL NO.	REMARKS
1	H144825	PIPE	1		
2	A15147	SPRING LOCKING PIN	2		
3	H144823	LIMIT CURTAIN	1		FOR CORN/GRAIN COMBINES

3G21

THRESHING AND SEPARATION

RASP BAR THRESHING CYLINDER
HP9163 -UN-11OCT99



HP9163

3G22

THRESHING AND SEPARATION

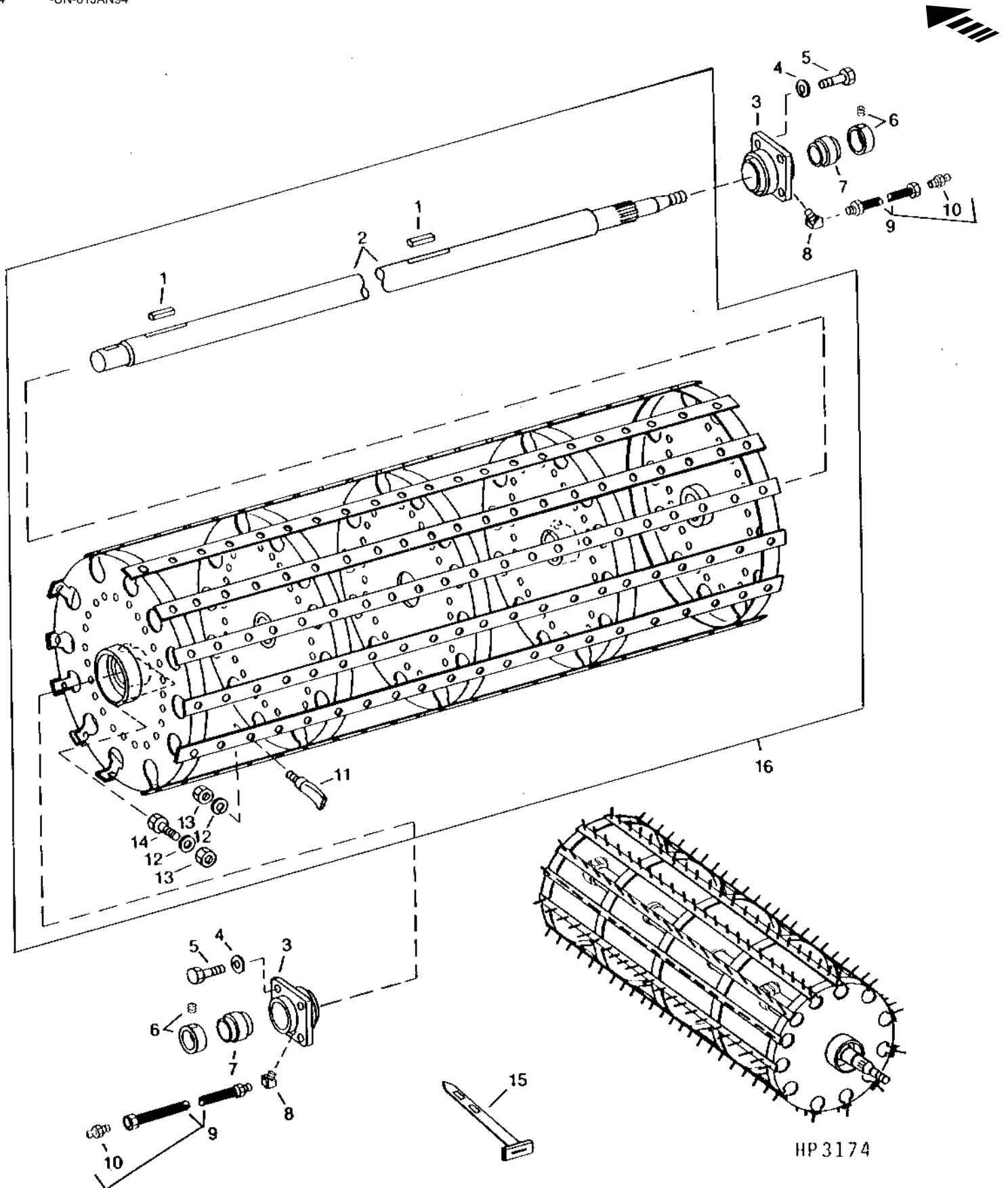
RASP BAR THRESHING CYLINDER - CONTINUED

KEY	PART NO.	PART NAME	QTY	SERIAL NO.	0 H	REMARKS
1	SHAFT KEY	2		X X	(CUT FROM H64376) IN AH64587 KEY STOCK KIT
2	H140043	SHAFT	1		X X	DUAL RANGE
	H145970	SHAFT	1		X X	SINGLE RANGE
3	H99149	HOUSING	2		X X	
4	12H304	LOCK WASHER	8		X X	3/8"
5	19M7785	SCREW	8		X X	M10 X 25
6	SET SCREW	2		X X	
7	JD10342	ECCENTRIC LOCKING COLLAR	2		X X	
8	JD10343	BALL BEARING	2		X X	
9	JD7845	ELBOW FITTING	2		X X	
10	AH121009	HOSE	2		X X	1/8" X 910 MM (35-3/4") X 1/8"
11	JD7759	LUBRICATION FITTING	2		X X	
12	AH126720	THRESHING CYLINDER HEAD	2		X X	WITH PILOT HUB
13	AH126719	THRESHING CYLINDER HEAD	2		X X	(1) WITH KEYED HUB
14	H131878	THRESHING CYLINDER HEAD	3		X X	
15	19M7753	CAP SCREW	2		X X	M12 X 70
16	14M7401	LOCK NUT	2		X X	M12
17	AH161400	RASP BAR	1		X X	L.H. CHROME (PKG 5)
	AH161405	RASP BAR	1		X X	R.H. CHROME (PKG 5)
	AH161407	RASP BAR	1		X X	L.H. BLACK (PKG 5)
	AH161409	RASP BAR	1		X X	R.H. BLACK (PKG 5)
	AH161410	RASP BAR	1		X X	SMOOTH (PKG 2)
18	H135891	LOCK NUT	AR		X X	M10
19	H146457	NUT	AR		X X	WITH DEFLECTOR
20	19M7402	CAP SCREW	AR		X X	M10 X 25
21	AH162827	RASP-BAR CYLINDER	1		X X	DUAL RANGE W/CHROME BARS
	AH162821	RASP-BAR CYLINDER	1		X X	DUAL RANGE W/BLACK BARS
	AH162833	RASP-BAR CYLINDER	1		X X	SINGLE RANGE W/CHROME BARS
	AH162797	RASP-BAR CYLINDER	1		X X	SINGLE RANGE W/BLACK BARS
22	H145773	SELF-LOCKING SCREW	AR		X X	
23	19M7783	SCREW	AR		X X	M10 X 16
24	H150837	DEFLECTOR	10		X X	PERFORATED
25	H140149	HOLD-DOWN CLIP	1		X X	
26	24M7028	WASHER	2		X X	10.500 X 20 X 2 MM, QUANTITY PER RASP BAR
..	AH163920	KIT	1		X X	(INCLUDES (35) H135891, (35) 19M7402 AND (35) 19M7783) METRIC
..	AH140417	KIT	1		X X	INCLUDES (70) H145773 SCREWS, (70) H146457 CLIPS AND (70) 24H1308 WASHERS
..	BH71877	COMPLETE GOODS/SHIP. BUNDLE	1		X X	RASPBAR TO SPIKE TOOTH CONVERSION
..	BH81162	COMPLETE GOODS/SHIP. BUNDLE	1		X X	PERFORATED FILLER PLATES - NARROW
..	BH81541	COMPLETE GOODS/SHIP. BUNDLE	1		X X	SPIKE TOOTH TO RASPBAR CONVERSION

3G23

THRESHING AND SEPARATION

SPIKE TOOTH THRESHING CYLINDER
HP3174 -UN-01JAN94



3G24

THRESHING AND SEPARATION

SPIKE TOOTH THRESHING CYLINDER - CONTINUED

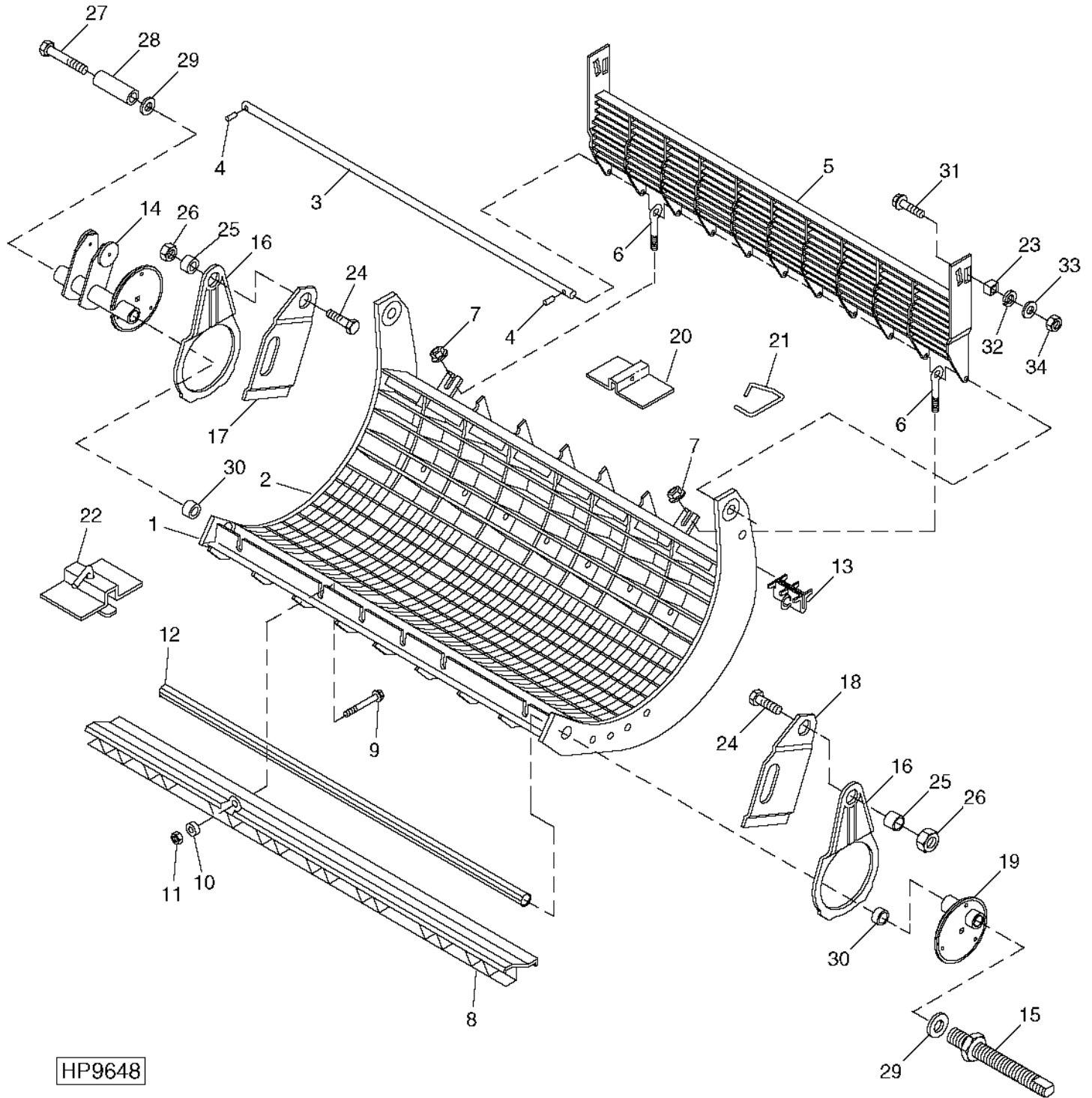
KEY	PART NO.	PART NAME	QTY	SERIAL NO.	9 5 9 5 5 0 5 S 0 H	REMARKS
1	SHAFT KEY	2		X X	(CUT FROM H64376) IN AH64587 KEY STOCK KIT
2	H140043	SHAFT	1		X X	DUAL RANGE
3	H99149	HOUSING	2		X X	
4	12H304	LOCK WASHER	8		X X	3/8"
5	19H2633	CAP SCREW	8		X X	3/8" X 1-1/2"
6	JD10342	ECCENTRIC LOCKING COLLAR	2		X X	
7	JD10343	BALL BEARING	2		X X	
8	JD7845	ELBOW FITTING	2		X X	
9	AH121009	HOSE	2		X X	1/8" X 910 MM (35-3/4") X 1/8"
10	JD7759	LUBRICATION FITTING	2		X X	
11	H132057	TOOTH	AR		X X	
12	12H301	LOCK WASHER	AR		X X	1/2"
13	14H809	NUT	AR		X X	1/2", QUANTITY (2) INTO HEADER WITH KEYED HUB
14	19H1820	CAP SCREW	2		X X	1/2" X 3"
15	P5403H	TOOL	1		X X	TOOTH STRAIGHTENER
16	AH134662	SPIKE-TOOTH CYLINDER	1		X X	
	14M7396	LOCK NUT	AR		X X	M8, (USE AS REQUIRED FOR BALANCING)
	19M7513	CAP SCREW	AR		X X	M8 X 30, (USE AS REQUIRED FOR BALANCING)
..	AH126871	BAR	6		X X	(INCLUDES (26) H132057, (19) 12H301 AND (19) 14H809)
..	AH127963	BAR	6		X X	(INCLUDES (26) H132057, (18) 12H301 AND (18) 14H809)

3H1

THRESHING AND SEPARATION

CONCAVE ASSEMBLY AND BEATER GRATE (NARROW)

HP9648 -UN-28MAR00



HP9648

3H2

THRESHING AND SEPARATION

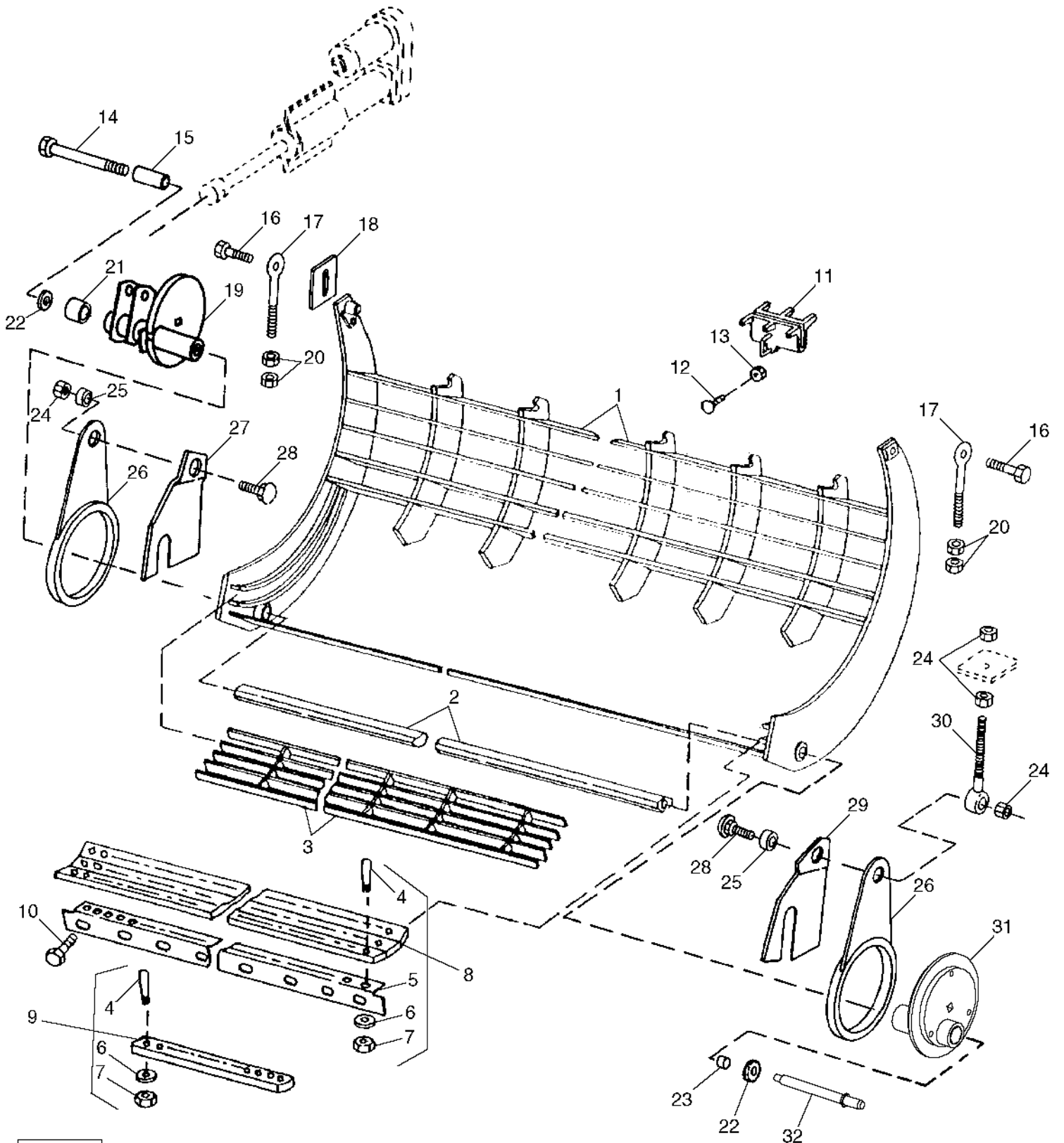
CONCAVE ASSEMBLY AND BEATER GRATE (NARROW) - CONTINUED

KEY	PART NO.	PART NAME	QTY	SERIAL NO.	0 H	REMARKS
					9	
					5	
					9	
					5	
					0	
					5	
					S	
					0	
					H	
1	AH150497	CONCAVE	1		X X	13 BAR NARROW
2	H157967	NAIL	58		X X	
3	H140803	PIN	1		X X	
4	11M7015	COTTER PIN	2		X X	
5	AH151121	GRATE	1		X X	
6	H144742	EYEBOLT	2		X X	M10 X 62
7	H135891	LOCK NUT	2		X X	M10
8	AH151119	ANGLE	1		X X	
9	H139098	BOLT	8		X X	M12 X 51.5
10	E47782	SPACER	8		X X	
11	14M7401	LOCK NUT	8		X X	M12
12	H145639	SHAFT	1		X X	
13	AH153688	INSERT	20		X X	CONCAVE GRID
14	AH133156	CAM	1		X X	
15	H147468	ROD	1		X X	(SUB H174617)
	H174617	ROD	1		X X	
16	H151484	LINK	2		X X	
17	H131988	COVER	1		X X	FOR SPIKE TO RASP CONVERSION
18	H131989	COVER	1		X X	FOR SPIKE TO RASP CONVERSION
19	AH133157	CAM	1		X X	
20	H134418	COVER	1		X X	
21	H134420	RETAINER	1		X X	
22	AH130465	COVER	1		X X	
23	H140804	BUSHING	2		X X	
24	H137203	BOLT	2		X X	
25	H137204	BUSHING	2		X X	
26	14M7300	FLANGE NUT	2		X X	M20
27	H132541	SCREW	1		X X	
28	H140458	WASHER	1		X X	
29	24H1351	WASHER	2		X X	9/16" X 1-1/2" X 0.164"
30	28H1601	BUSHING	1		X X	0.546" X 0.840" X 4-1/8"
31	19M7913	SCREW	2		X X	M8 X 90
32	12H301	LOCK WASHER	2		X X	1/2"
33	24H1226	WASHER	2		X X	1/2" X 1-1/4" X 0.083"
34	14M7299	FLANGE NUT	2		X X	M12
..	BH81381	COMPLETE GOODS/SHIP. BUNDLE	1		X	CONCAVE INSERTS (CARTON OF 20)
..	BH78495	COMPLETE GOODS/SHIP. BUNDLE	1		X	REAR CONCAVE FILLER STRIPS
..	BH78486	COMPLETE GOODS/SHIP. BUNDLE	1		X X	CONCAVE COVERS

3H3

THRESHING AND SEPARATION

SPIKE-TOOTH CONCAVE
HP8267 -UN-06MAY99



HP8267

3H4

THRESHING AND SEPARATION

SPIKE-TOOTH CONCAVE - CONTINUED

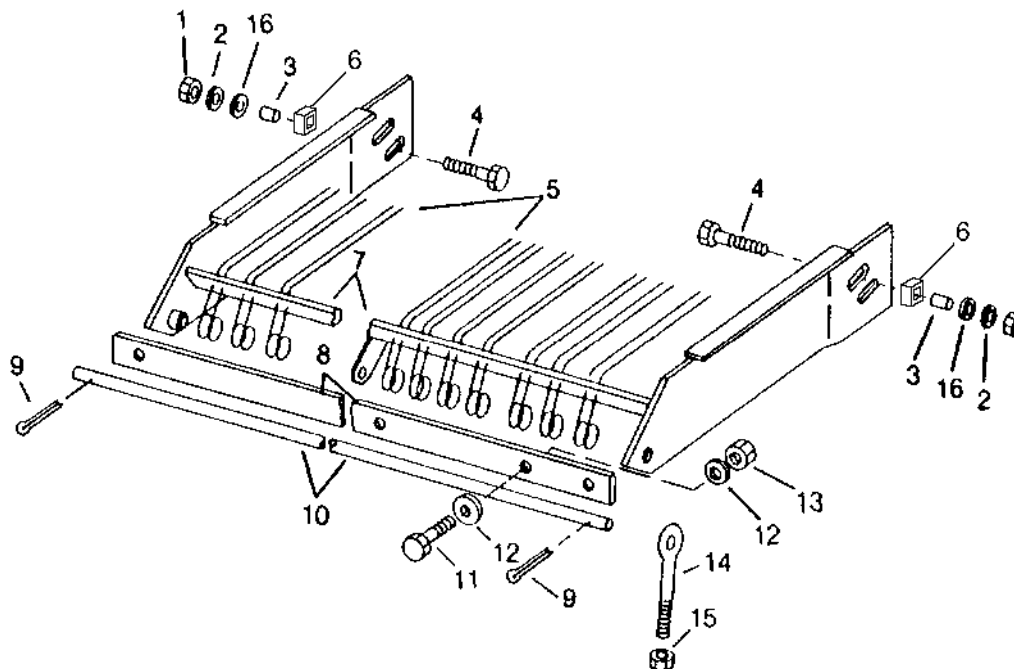
KEY	PART NO.	PART NAME	QTY	SERIAL NO.	9550		REMARKS
					0	H	
1	AH135647	CONCAVE	1		X	X	
2	H145639	SHAFT	1		X	X	
3	AH131331	GRATE	1		X	X	
4	H132057	TOOTH	AR		X	X	
5	H145257	ANGLE	1		X	X	
6	12H301	LOCK WASHER	AR		X	X	1/2"
7	14H809	NUT	AR		X	X	1/2"
8	AH139246	BAR	AR		X	X	
9	AH126871	BAR	6		X	X	
	AH127963	BAR	6		X	X	
10	19M7786	SCREW	8		X	X	M10 X 30
11	AH153688	INSERT	20		X	X	(SHORT WIRE)
12	03M7222	BOLT	2		X	X	M6 X 20
13	14M7303	FLANGE NUT	2		X	X	M6
14	H132541	SCREW	1		X	X	
15	28H1597	WASHER	1		X	X	0.546" X 0.840" X 3/8"
16	19M7597	CAP SCREW	2		X	X	M20 X 50
17	H143610	EYEBOLT	2		X	X	
18	H146318	ADJUSTING STRAP	1		X	X	
19	AH135240	CAM	1		X	X	
20	14M7296	FLANGE NUT	4		X	X	M10
21	H134816	SPACER	1		X	X	
22	24H1351	WASHER	2		X	X	9/16" X 1-1/2" X 0.164"
23	28H2642	SPACER	1		X	X	0.546" X 0.840" X 2-1/2"
24	14M7300	FLANGE NUT	4		X	X	M20
25	H137204	BUSHING	4		X	X	
26	AH127829	LINK	2		X	X	
27	H131986	COVER	1		X	X	LEFT-HAND
28	H137203	BOLT	2		X	X	M20 X 65
29	H131987	COVER	1		X	X	
30	H164222	EYEBOLT	1		X	X	
31	AH133157	CAM	1		X	X	
32	H147468	ROD	1		X	X	(SUB H174617)
	H174617	ROD	1		X	X	

3H5

THRESHING AND SEPARATION

SPIKE-TOOTH FINGER GRATE

HP8528 -UN-29APR99



HP8528

9
5
9 5
5 0
5 S
0 H

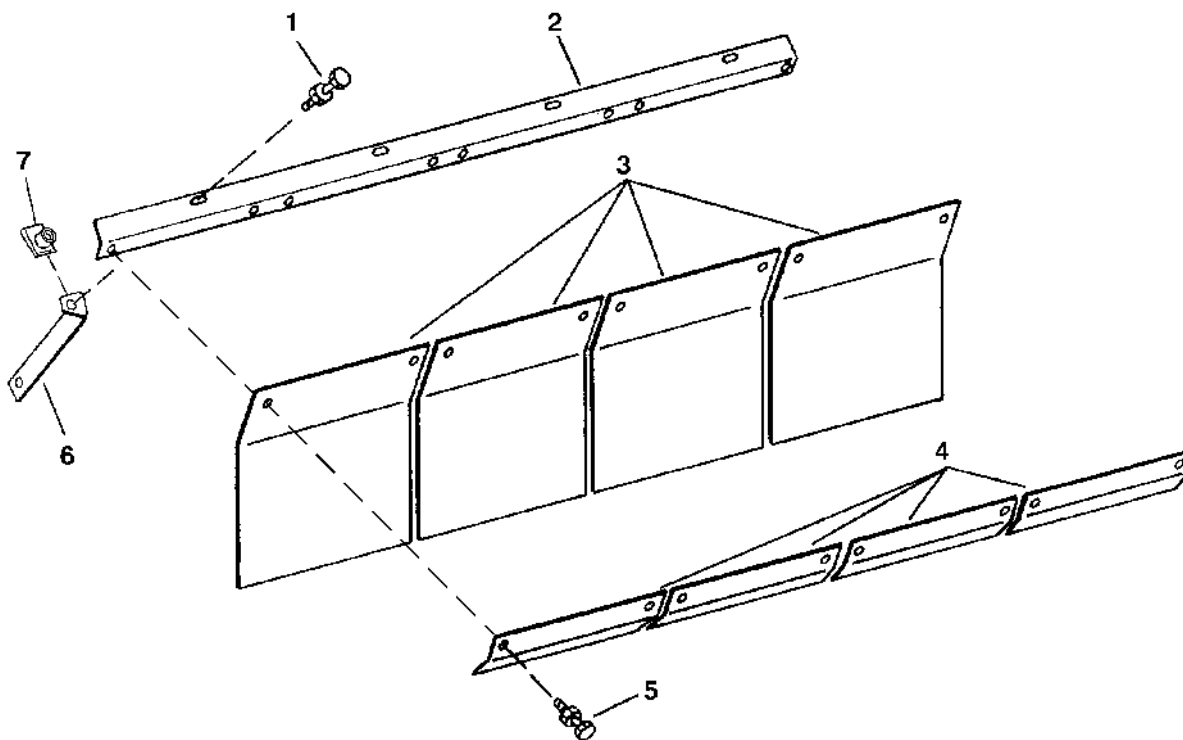
KEY	PART NO.	PART NAME	QTY	SERIAL NO.	REMARKS
1	14M7299	FLANGE NUT	2	X X	M12
2	12H301	LOCK WASHER	2	X X	1/2"
3	M44269	BUSHING	2	X X	
4	19M7813	SCREW	2	X X	M12 X 45
5	H134758	FINGER	AR	X X	
6	H140804	BUSHING	2	X X	
7	AH130906	SUPPORT	1	X X	
8	H135158	COVER	1	X X	
9	11M7015	COTTER PIN	2	X X	3.200 X 25 MM
10	H134757	PIN	1	X X	
11	03M7193	BOLT	4	X X	M10 X 35
12	24H1311	WASHER	8	X X	13/32" X 1-1/4" X 0.220"
13	14M7296	FLANGE NUT	4	X X	M10
14	H144742	EYEBOLT	2	X X	
15	14M7400	LOCK NUT	2	X X	M10
16	24H1226	WASHER	2	X X	1/2" X 1-1/4" X 0.083"

3H6

THRESHING AND SEPARATION

BEATER GRATE CURTAIN

HP6882 -UN-12SEP97



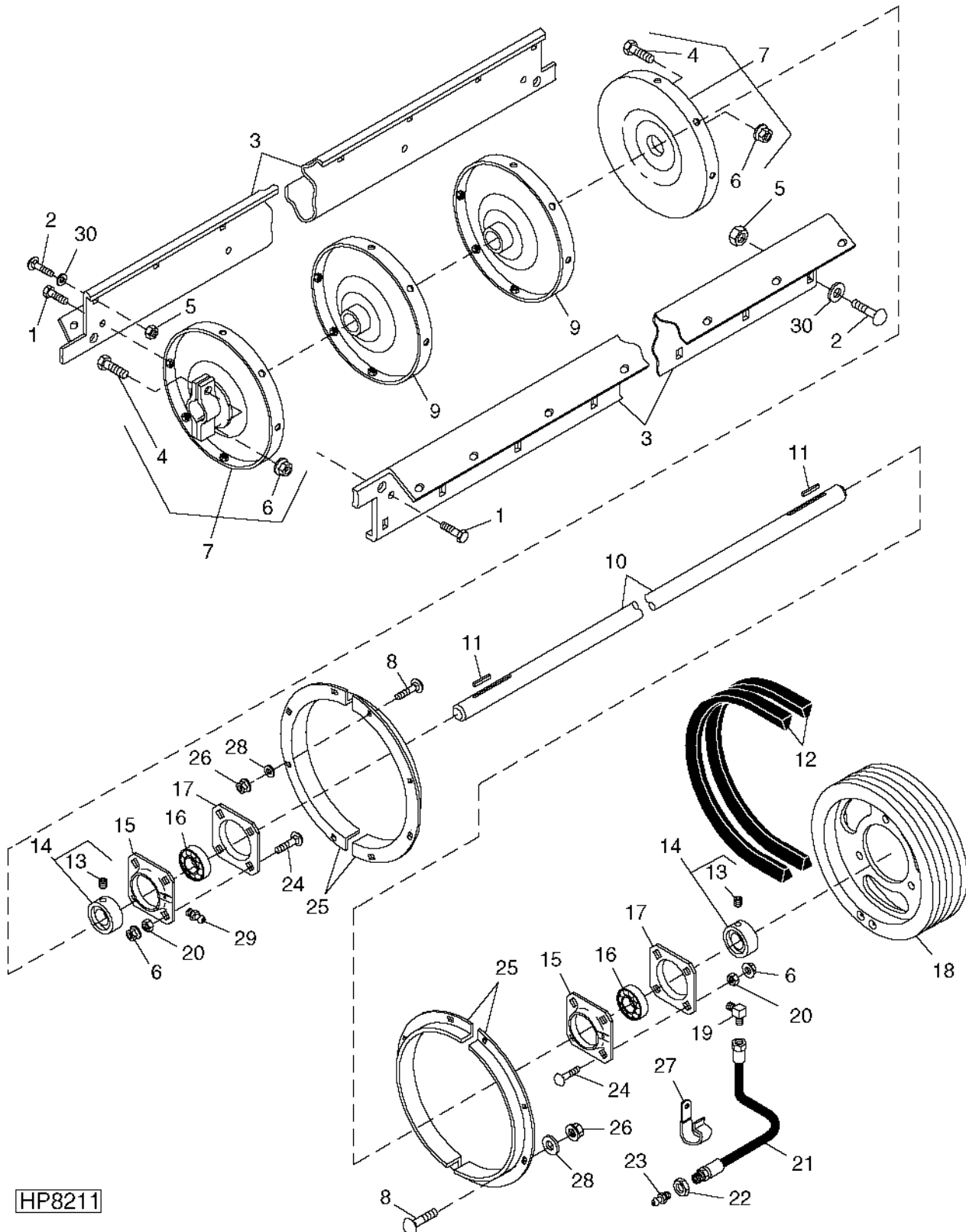
HP6882

KEY	PART NO.	PART NAME	QTY	SERIAL NO.	9 5 9 5 5 0 5 S 0 H	REMARKS
1	19M7866	SCREW	10		X X	M8 X 20
	14M7298	FLANGE NUT	10		X X	M8
2	H148301	ANGLE	1		X X	
3	H148305	LIMIT CURTAIN	5		X X	
4	H148302	ANGLE	5		X X	
5	19M7866	SCREW	10		X X	M8 X 20
6	H148304	SUPPORT	5		X X	
7	H156360	NUT	5		X X	M8
..	H151318	SIGN	1		X X	BEATER GRATE CURTAIN
..	BH80228	COMPLETE GOODS/SHIP. BUNDLE	1		X X	NARROW BEATER GRATE CURTAIN
..	BH79941	COMPLETE GOODS/SHIP. BUNDLE	1		X X	BEATER GRATE CURTAIN

3H7

THRESHING AND SEPARATION

BEATER, SHAFT AND DRIVE BELT
HP8211 -UN-23AUG99



HP8211

3H8

THRESHING AND SEPARATION

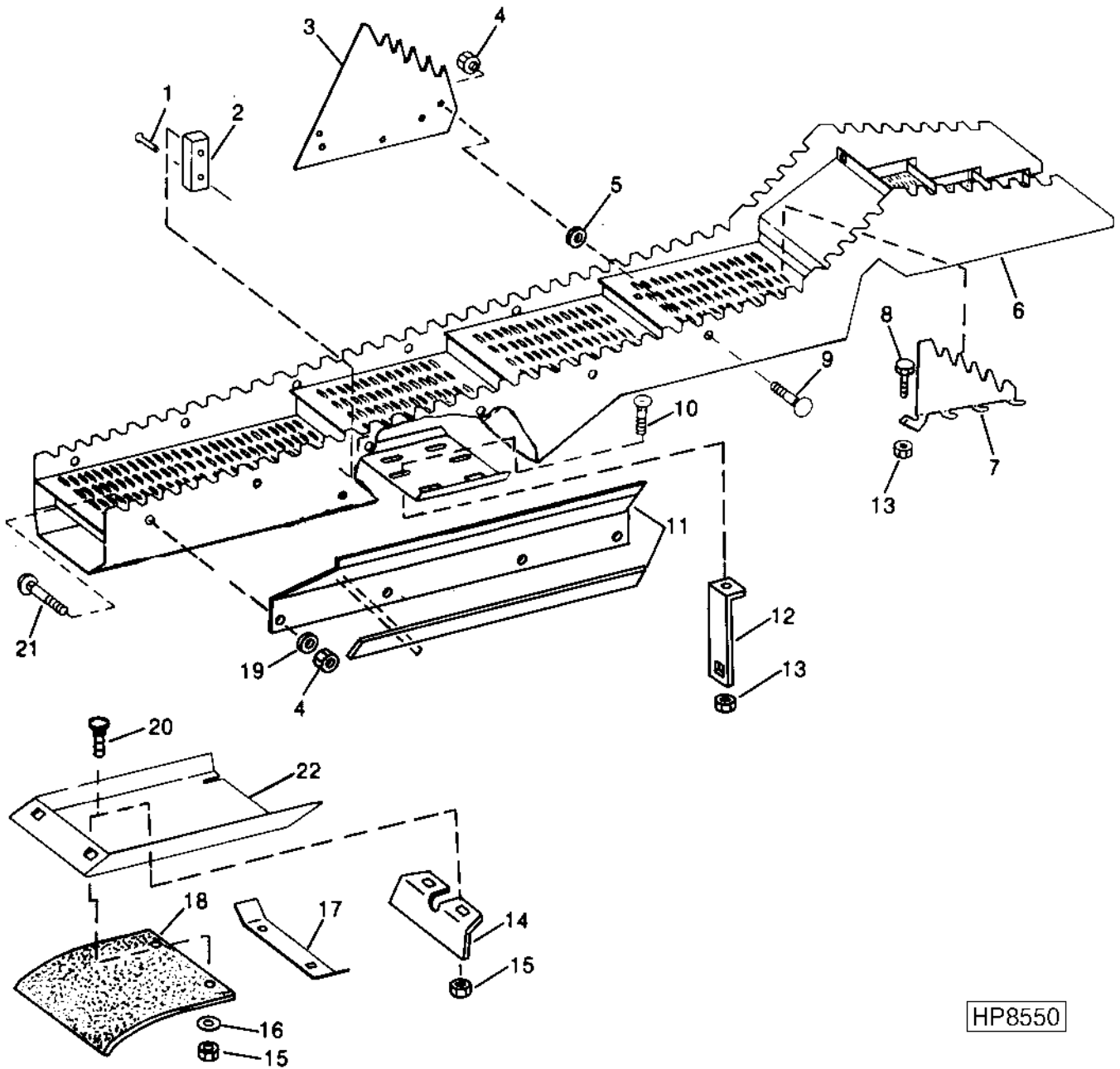
BEATER, SHAFT AND DRIVE BELT - CONTINUED

KEY	PART NO.	PART NAME	QTY	SERIAL NO.	9 5 9 5 5 0 5 S 0 H		REMARKS
1	19M7784	SCREW	32		X	X	M10 X 20
2	03M7190	BOLT	58		X	X	M10 X 20
3	H147789	BLADE	8		X	X	
4	03M7201	BOLT	1		X	X	M12 X 45
5	14M7296	FLANGE NUT	AR		X	X	M10
6	14M7299	FLANGE NUT	8		X	X	M12
7	AH128360	BEATER HEAD	2		X	X	
8	03M7185	BOLT	24		X	X	M8 X 25
9	AH128361	BEATER HEAD	2		X	X	
10	H126941	SHAFT	1		X	X	
11	49M4121	SHAFT KEY	2		X	X	
12	AH139436	BELT SET	1		X	X	FOR 100 PERCENT BEATER DRIVE
	AH163931	BELT	1		X	X	FOR 75 PERCENT BEATER DRIVE
13	22H979	SET SCREW	1		X	X	
14	JD9201	ECCENTRIC LOCKING COLLAR	2		X	X	
15	H113625	PRESSED FLANGED HOUSING	2		X	X	
16	JD9434	BEARING	2		X	X	
17	H113626	PRESSED FLANGED HOUSING	2		X	X	
18	H135850	SHEAVE	1		X	X	
19	JD7845	ELBOW FITTING	2		X	X	
20	H143731	NUT	8		X	X	
21	AH121009	HOSE	2		X	X	
22	E12379	NUT	2		X	X	
23	JD7759	LUBRICATION FITTING	2		X	X	L.H.
24	03M7198	BOLT	8		X	X	M12 X 30, USE ON R.H. SIDE ONLY
25	H130572	SEAL	4		X	X	
26	14M7298	FLANGE NUT	24		X	X	M8
27	AH89557	CLIP	1		X	X	
28	24M7207	WASHER	16		X	X	8.400 X 24 X 2 MM
29	JD7788	LUBRICATION FITTING	1		X	X	R.H.
30	24H1305	WASHER	14		X	X	
31	AH89557	CLIP	1		X	X	

3H9

STRAW WALKERS

HP8550 -UN-06MAY99



HP8550

3H10

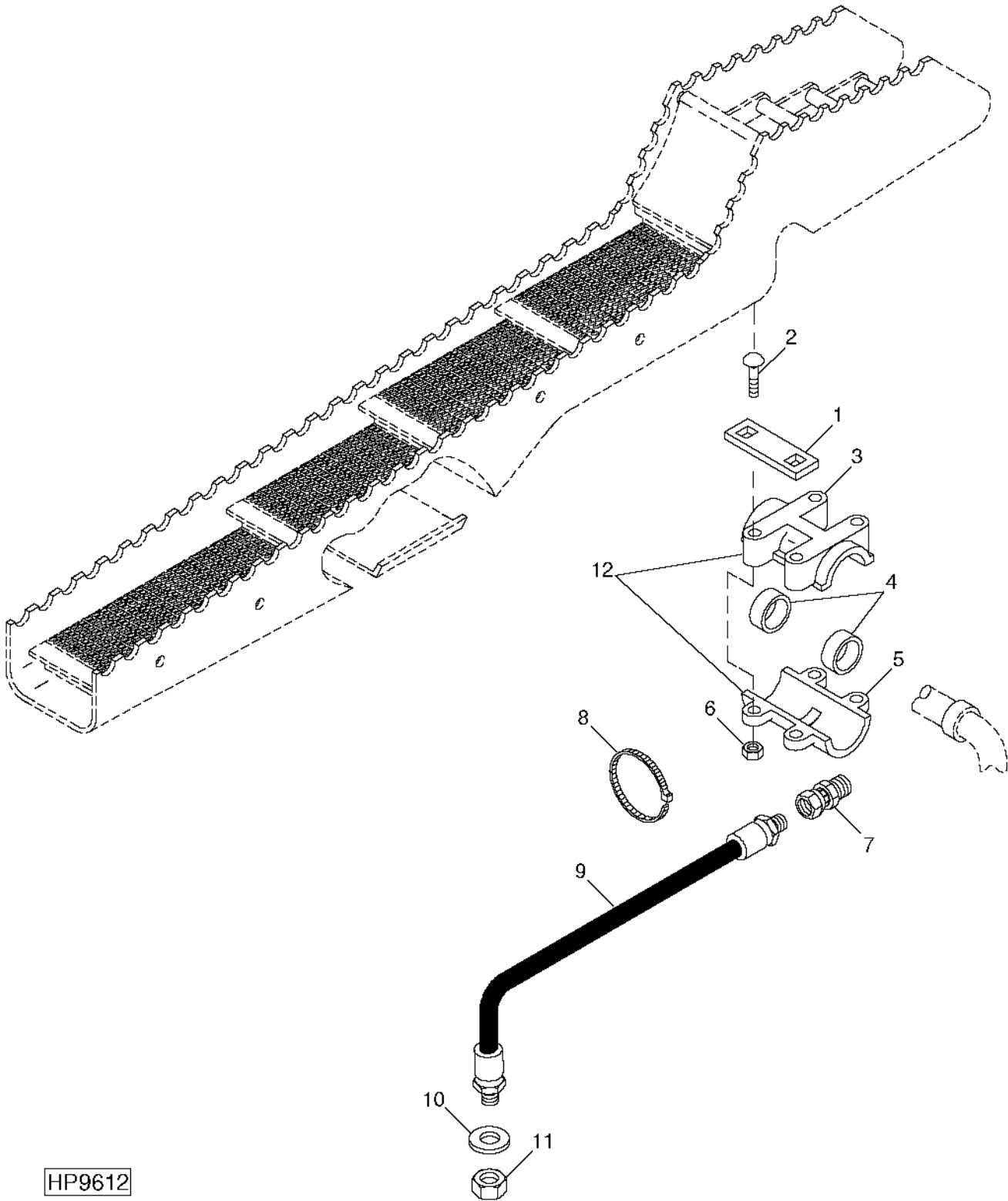
THRESHING AND SEPARATION

STRAW WALKERS - CONTINUED

KEY	PART NO.	PART NAME	QTY	SERIAL NO.	0	H	REMARKS
					9		
					5		
					9	5	
					5	0	
					5	S	
					0	H	
1	H85233	RIVET	2		X	X	
2	H135923	STRIP	AR		X	X	BETWEEN WALKERS ONLY
3	RISER	1		X	X	ONE PER WALKER EXCEPT R.H. OUTSIDE WALKER
4	14M7303	FLANGE NUT	3		X	X	M6
5	24H1292	WASHER	AR		X	X	
6	AH135380	STRAW WALKER	5		X	X	(ILLUSTRATED) LIP TYPE
	AH140434	STRAW WALKER	5		X	X	RECTANGULAR GRID
7	H141883	RISER	1		X	X	CENTER (RICE) (DOMESTIC) (ILLUSTRATED) LIP TYPE
	H146639	RISER	AR		X	X	CENTER, RECTANGULAR GRID
8	19M7865	SCREW	1		X	X	M8 X 16, TO ATTACH RISER
9	03M7251	BOLT	3		X	X	M6 X 12
10	03M7184	BOLT	2		X	X	M8 X 20
11	AH162251	SEAL	1		X	X	OUTSIDE WALKERS ONLY
12	H87268	BRACKET	2		X	X	LOSS MONITOR
13	14M7298	FLANGE NUT	AR		X	X	M8
14	DEFLECTOR	1		X	X	USE WITH CORN CHOPPER TO DEFLECT COBS
15	14M7396	LOCK NUT	2		X	X	M8
16	24M7207	WASHER	2		X	X	8.400 X 24 X 2 MM
17	H143615	REINFORCEMENT	1		X	X	
18	H140218	FLAP	5		X	X	FOR SUNFLOWERS
19	24M7055	WASHER	AR		X	X	
20	03M7184	BOLT	AR		X	X	M8 X 20, WITH EXTENSION PAN
21	03M7221	BOLT	AR		X	X	M6 X 16
22	H131661	PAN	1		X	X	
23	H131604	SEAL	1		X	X	
24	H131607	SEAL	1		X	X	
25	H131608	SEAL	1		X	X	

3H11

STRAW WALKER BEARING KIT
HP9612 -UN-09MAR00



HP9612

3H12

THRESHING AND SEPARATION

STRAW WALKER BEARING KIT - CONTINUED

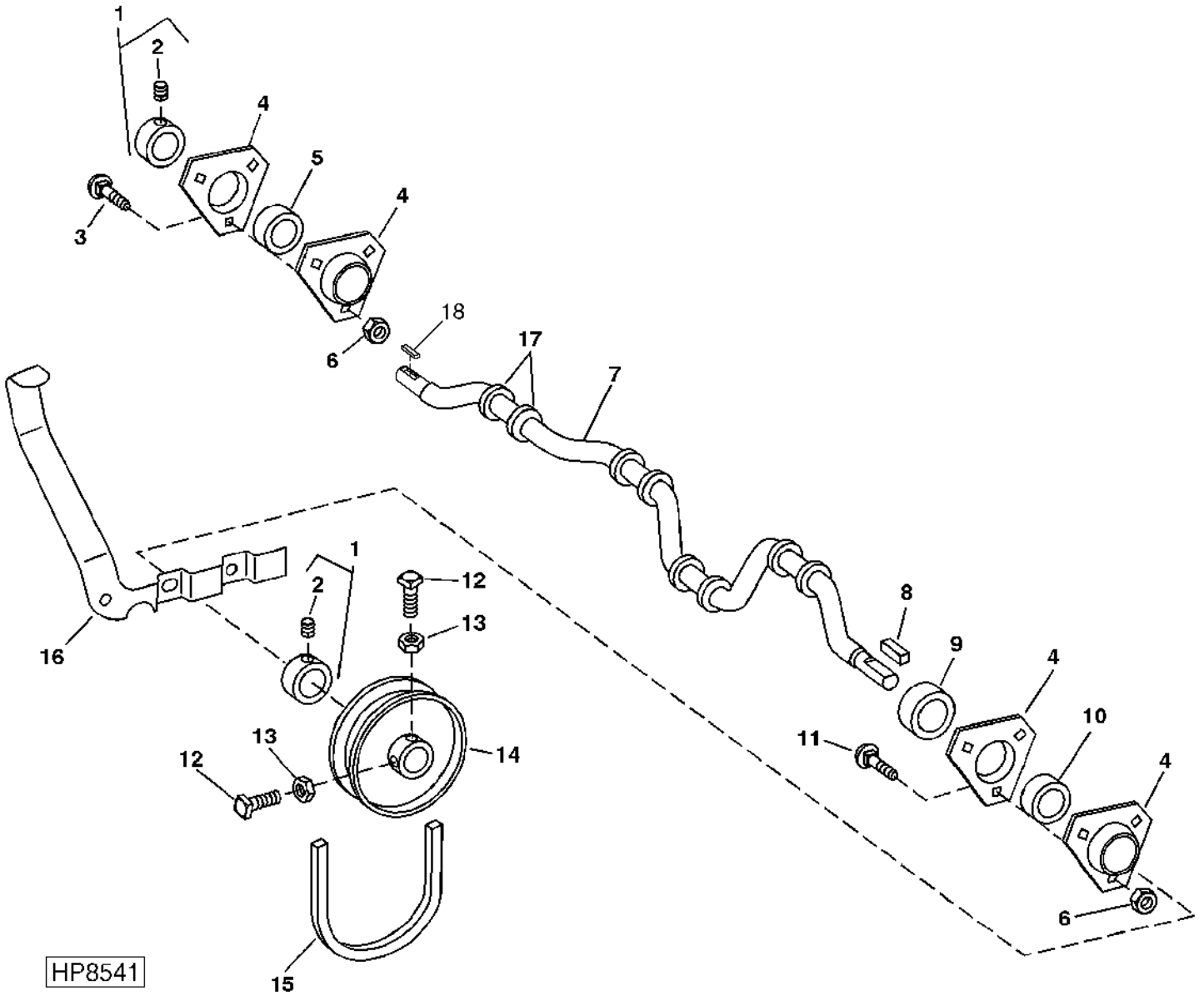
KEY	PART NO.	PART NAME	QTY	SERIAL NO.	9 5 9 5 5 0 5 S 0 H	REMARKS
1	H139667	STRAP	1		X X	(B)
2	03M7359	BOLT	4		X X	M10 X 85
3	H152464	BEARING	1		X X	(SUB AH168158) (USE WITH H152465) UPPER
4	H154216	SEAL	2		X X	
5	H152465	BEARING	1		X X	(SUB AH168158) (USE WITH H152464) LOWER
6	14M7400	LOCK NUT	4		X X	M10
7	AN71222	ADAPTER	1		X X	STRAIGHT (A)
	JD7759	LUBRICATION FITTING	1		X X	STRAIGHT (B)
8	R44302	TIE BAND	10		X X	(A)
9	AH144816	HOSE	1		X X	LUBRICATION (A)
10	24H1307	WASHER	1		X X	13/32" X 1" X 1/16", (A)
11	E12379	NUT	1		X X	3.175MM (1/8") (A)
12	AH168158	BEARING	1		X X	

(A) USE WITH FRONT BEARING
 (B) USE WITH REAR BEARING

3H13

THRESHING AND SEPARATION

STRAW WALKER CRANKS, STRAW SPREADER DRIVE AND SHIELD
HP8541 -UN-06MAY99



HP8541

3H14

THRESHING AND SEPARATION

STRAW WALKER CRANKS, STRAW SPREADER DRIVE AND SHIELD - CONTINUED

KEY	PART NO.	PART NAME	QTY	SERIAL NO.	9 5 9 5 5 0 5 S 0 H	REMARKS
1	AH133191	ECCENTRIC LOCKING COLLAR	3		X X	L.H. ON FRONT CRANK AND BOTH ON REAR CRANK
2	22M7081	SET SCREW	3		X X	M10 X 10
3	03M7191	BOLT	12		X X	M10 X 25
4	H103265	PRESSED FLANGED HOUSING	8		X X	
5	AZ19427	BALL BEARING	1		X X	FRONT L.H. ONLY
6	14M7296	FLANGE NUT	6		X X	M10
7	AH145604	SHAFT	1		X X	REAR CRANK ONLY (HEAT TREATED)
	AH151332	CRANKSHAFT	1		X X	
8	H138344	SHAFT KEY	1		X X	
9	H135519	WASHER	1		X X	FRONT R.H. ONLY
10	AH132823	BALL BEARING	1		X X	FRONT R.H. ONLY
	JD39104	BALL BEARING	2		X X	REAR CRANK ONLY
11	03M7190	BOLT	1		X X	M10 X 20
12	H138435	SET SCREW	2		X X	
13	14M7274	NUT	2		X X	M10
14	AH114359	SHEAVE	1		X X	STRAW SPREADER DRIVE (L.H. REAR)(I D 1.370)
15	H128234	BELT	1		X X	STRAW SPREADER DRIVE
16	H140020	GUIDE	1		X X	
17	AH141393	LOCKING COLLAR	8		X X	
18	49M4118	SHAFT KEY	1		X X	L.H. REAR ONLY

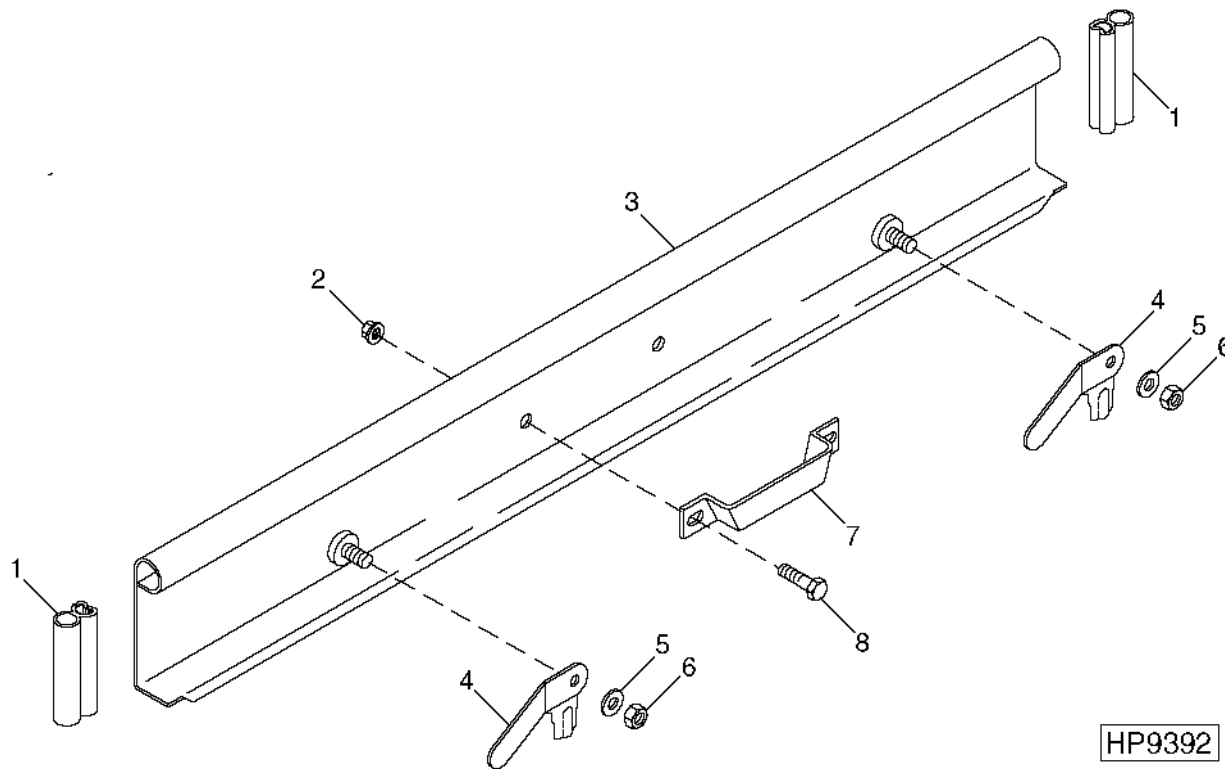
MEMORANDA

3H16

CLEANING SHOE

SHOE GRAIN SUPPLY AUGER CLEANOUT DOOR, HANDLE AND LATCHES

HP9392 -UN-06DEC99



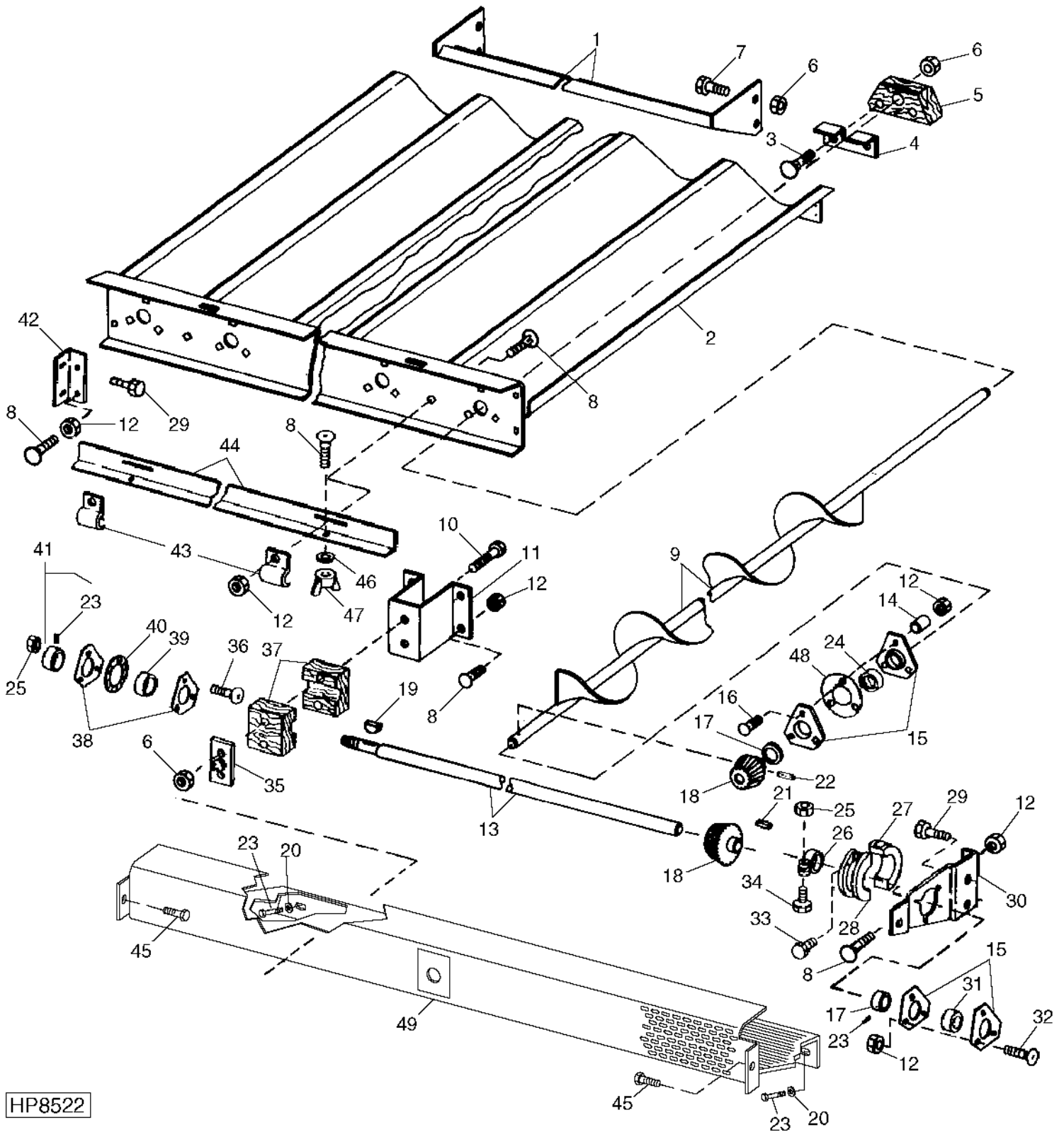
HP9392

KEY	PART NO.	PART NAME	QTY	SERIAL NO.	9 5 9 5 5 0 5 S 0 H	REMARKS
1	H131108	ISOLATOR	2		X X	
2	14M7298	FLANGE NUT	2		X X	M8
3	AH160486	DOOR	1		X X	
4	H127532	HANDLE	2		X X	
5	24M7207	WASHER	2		X X	8.400 X 24 X 2 MM
6	14M7396	LOCK NUT	2		X X	M8
7	H85184	HANDLE	1		X X	
8	19M7865	SCREW	2		X X	M8 X 16

3H17

CLEANING SHOE

SHOE GRAIN SUPPLY AUGERS AND HOUSING
HP8522 -UN-27APR99



HP8522

3H18

CLEANING SHOE

SHOE GRAIN SUPPLY AUGERS AND HOUSING - CONTINUED

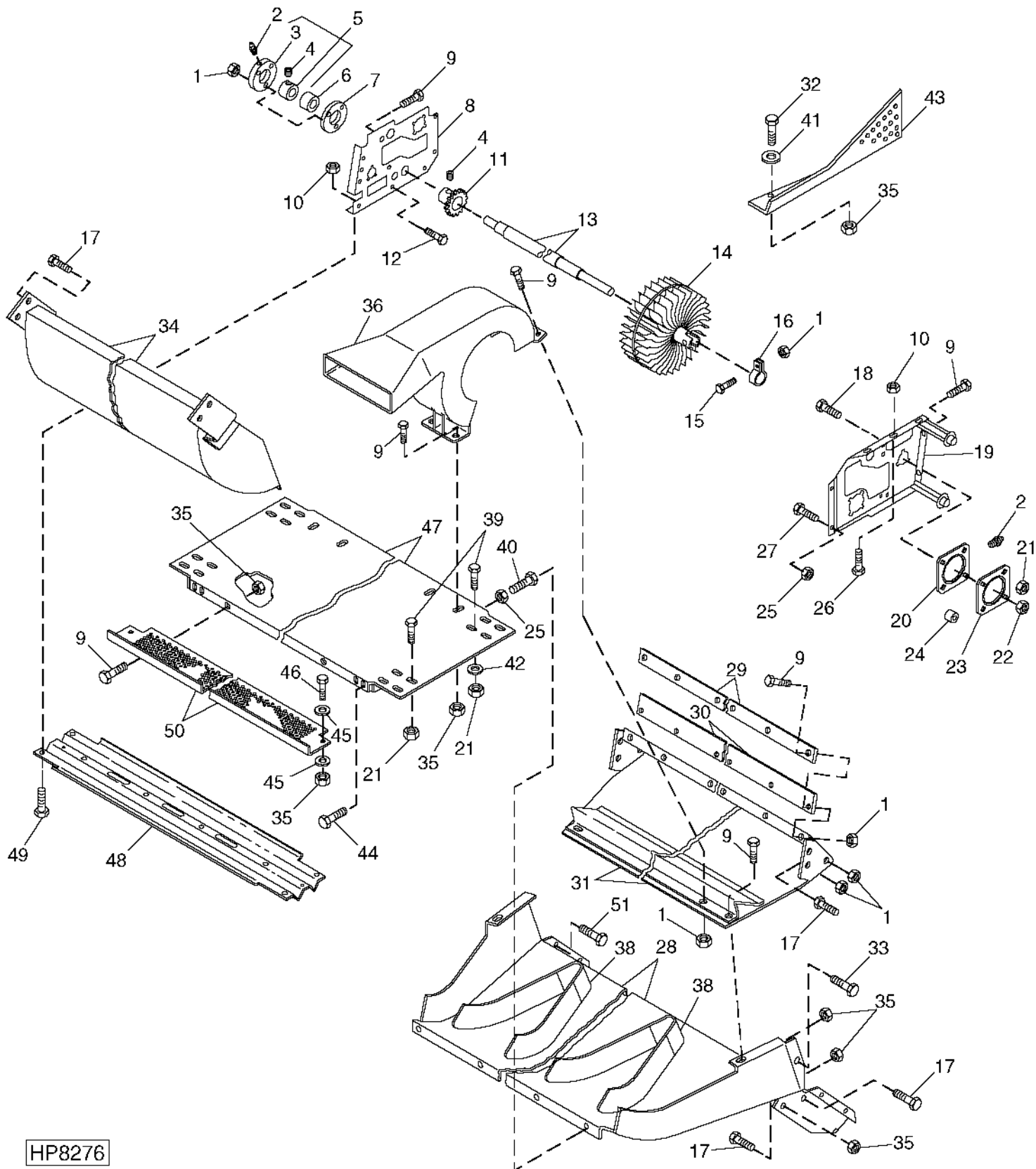
KEY	PART NO.	PART NAME	QTY	SERIAL NO.	9550		REMARKS
					0	H	
1	AH126191	SUPPORT	1		X	X	
2	AH146655	TROUGH	1		X	X	
3	03M7267	BOLT	AR		X	X	M8 X 80
4	H142189	STRIPPER	1		X	X	
5	H142188	BEARING	AR		X	X	USE WITH TY6333 GREASE
6	14M7396	LOCK NUT	21		X	X	M8
7	19M7867	SCREW	4		X	X	M8 X 25
8	03M7183	BOLT	AR		X	X	M8 X 16
9	AH130424	AUGER	3		X	X	R.H. FLIGHTING
	AH130425	AUGER	3		X	X	L.H. FLIGHTING
10	19M7803	SCREW	2		X	X	M8 X 70
11	H91205	BRACKET	1		X	X	
12	14M7298	FLANGE NUT	AR		X	X	M8
13	H135422	DRIVE SHAFT	1		X	X	
14	28H1720	BUSHING	AR		X	X	0.423" X 0.675" X 27/32"
15	H103264	PRESSED FLANGED HOUSING	16		X	X	
16	03M7189	BOLT	AR		X	X	M8 X 45
17	JD8554	ECCENTRIC LOCKING COLLAR	8		X	X	
18	H137215	GEAR	12		X	X	
19	26M4226	SHAFT KEY	2		X	X	5 X 19 MM, WOODRUFF
20	24M7178	WASHER	2		X	X	10.500 X 30 X 2.500 MM
21	SHAFT KEY	AR		X	X	1/4 X 3/4 IN. (MAKE FROM H64374)
22	E63018	SPRING PIN	AR		X	X	
23	37M7086	SCREW	2		X	X	M10 X 20
24	JD9273	BALL BEARING	AR		X	X	
25	14M7296	FLANGE NUT	10		X	X	M10
26	H145112	CLAMP	7		X	X	
27	H104795	ACTUATOR	1		X	X	
28	H104796	ACTUATOR	1		X	X	
29	37M7096	SCREW	4		X	X	M8 X 35
30	H127524	BRACKET	1		X	X	
31	JD8665	BALL BEARING	1		X	X	
32	03M7184	BOLT	3		X	X	M8 X 20
33	H168924	SCREW	1		X	X	0.190" X 1"
34	19M7572	CAP SCREW	AR		X	X	
35	AH155275	FITTING	1		X	X	
36	03M7191	BOLT	3		X	X	M10 X 25
37	H135475	BEARING	2		X	X	
38	E10018	PRESSED FLANGED HOUSING	2		X	X	
39	AH129451	BALL BEARING	1		X	X	
40	H102533	SHIM	1		X	X	
41	AH129452	ECCENTRIC LOCKING COLLAR	1		X	X	
42	H127525	ANGLE	1		X	X	
43	H94167	CLAMP	2		X	X	
44	H134025	SHEET	1		X	X	
45	37M7058	SCREW	2		X	X	M8 X 20
46	24M7139	WASHER	2		X	X	6.400 X 18 X 1.600 MM
47	14M7019	WING NUT	2		X	X	M6
48	H36155	SHIM	1		X	X	0.762 MM
49	H164494	SHIELD	1		X		
	H164506	SHIELD	1			X	

3H19

CLEANING SHOE

CLEANING FANS AND SHROUDS

HP8276 -UN-06MAY99



HP8276

3H20

CLEANING SHOE

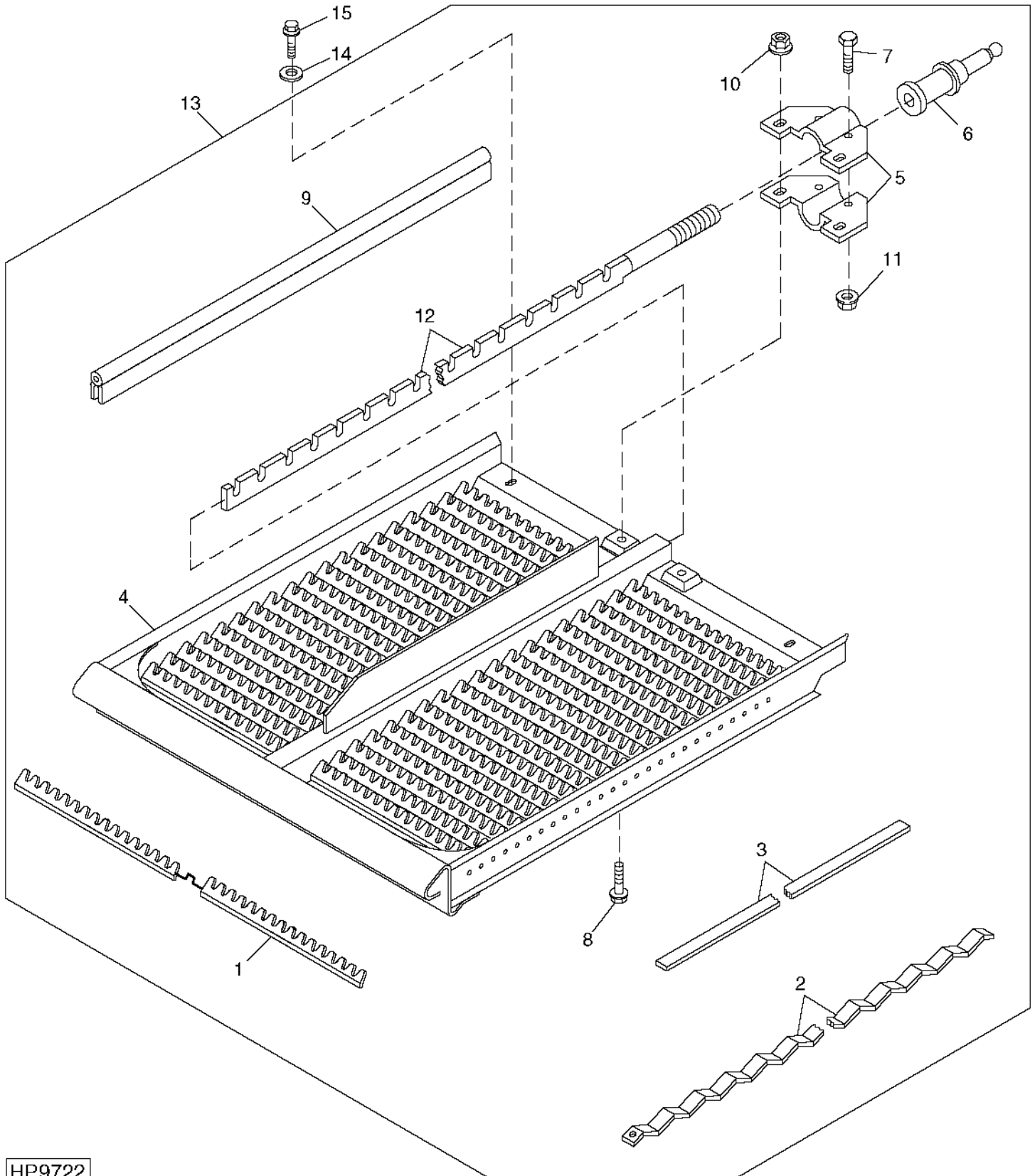
CLEANING FANS AND SHROUDS - CONTINUED

KEY	PART NO.	PART NAME	QTY	SERIAL NO.	0 H	REMARKS
					9	
					5	
					9 5	
					5 0	
					5 S	
					0 H	
1	14M7396	LOCK NUT	AR		X X	M8
2	JD7788	LUBRICATION FITTING	2		X X	
3	AE26118	PRESSED FLANGED HOUSING	1		X X	
4	22M7027	SET SCREW	2		X X	M6 X 16
5	AZ10044	ECCENTRIC LOCKING COLLAR	1		X X	
6	JD9490	BALL BEARING	1		X X	
7	N52258	PRESSED FLANGED HOUSING	1		X X	
8	H150091	BRACKET	1		X X	R.H.
9	19M7865	SCREW	AR		X X	M8 X 16
10	14M7400	LOCK NUT	4		X X	M10
11	H122372	WHEEL	2		X X	
12	03M7185	BOLT	3		X X	M8 X 25
13	H135396	SHAFT	1		X X	
14	H130355	ROTOR	4		X X	
15	03M7188	BOLT	8		X X	M8 X 40
16	H130695	CLAMP	8		X X	
17	19M7867	SCREW	AR		X X	M8 X 25
18	03M7198	BOLT	4		X X	M12 X 30
19	H150092	BRACKET	1		X X	L.H.
20	H113625	PRESSED FLANGED HOUSING	1		X X	
21	14M7299	FLANGE NUT	AR		X X	M12
22	AL14674	ECCENTRIC LOCKING COLLAR	1		X X	
23	H113626	PRESSED FLANGED HOUSING	1		X X	
24	AH139297	BALL BEARING	1		X X	
25	14M7396	LOCK NUT	AR		X X	M8
26	19M7944	SCREW	4		X X	M10 X 120
27	19M7803	SCREW	4		X X	M8 X 70
28	AH130477	AIR DUCT	1		X X	LOWER
29	H98546	REINFORCEMENT	1		X X	
30	H133081	SEAL	1		X X	
31	AH128313	AIR DUCT	1		X X	TOP
32	19M7801	SCREW	2		X X	M8 X 60
33	19M7800	SCREW	1		X X	M8 X 50
	19M7867	SCREW	1		X X	M8 X 25
34	AH126214	AIR DUCT	1		X X	FRONT
35	14M7298	FLANGE NUT	AR		X X	M8
36	AH163762	HOUSING	4		X X	
37	19M7865	SCREW	AR		X X	M8 X 16
38	AH138384	COVER	1		X X	VANE, (CONTAINS 3 COVERS)
39	19M7818	SCREW	AR		X X	M12 X 80
40	19M7866	SCREW	AR		X X	M8 X 20
41	24H1296	WASHER	2		X X	8.738 X 34.925 X 3.404 MM
42	28H2611	SPACER	18		X X	0.546" X 0.840" X 2"
43	H145950	SHIELD	1		X X	R.H.
	H145949	SHIELD	1		X X	L.H.
44	19M7789	SCREW	4		X X	M12 X 30
45	24M7207	WASHER	4		X X	8.400 X 24 X 2 MM
46	19M7868	SCREW	2		X X	M8 X 30
47	AH149879	SUPPORT	1		X X	
48	H157282	PLATE	1		X X	(FOR CORN AND GRAIN ONLY)
	H137389	PLATE	1		X	(FOR RICE ONLY)
49	19M7898	SCREW	4		X X	M10 X 130
50	H144558	SHIELD	1		X X	
51	19M8039	SCREW	AR		X X	M8 X 80

3H21

CLEANING SHOE

PRECLEANING CHAFFER
HP9722 -UN-20APR00



HP9722

3H22

CLEANING SHOE

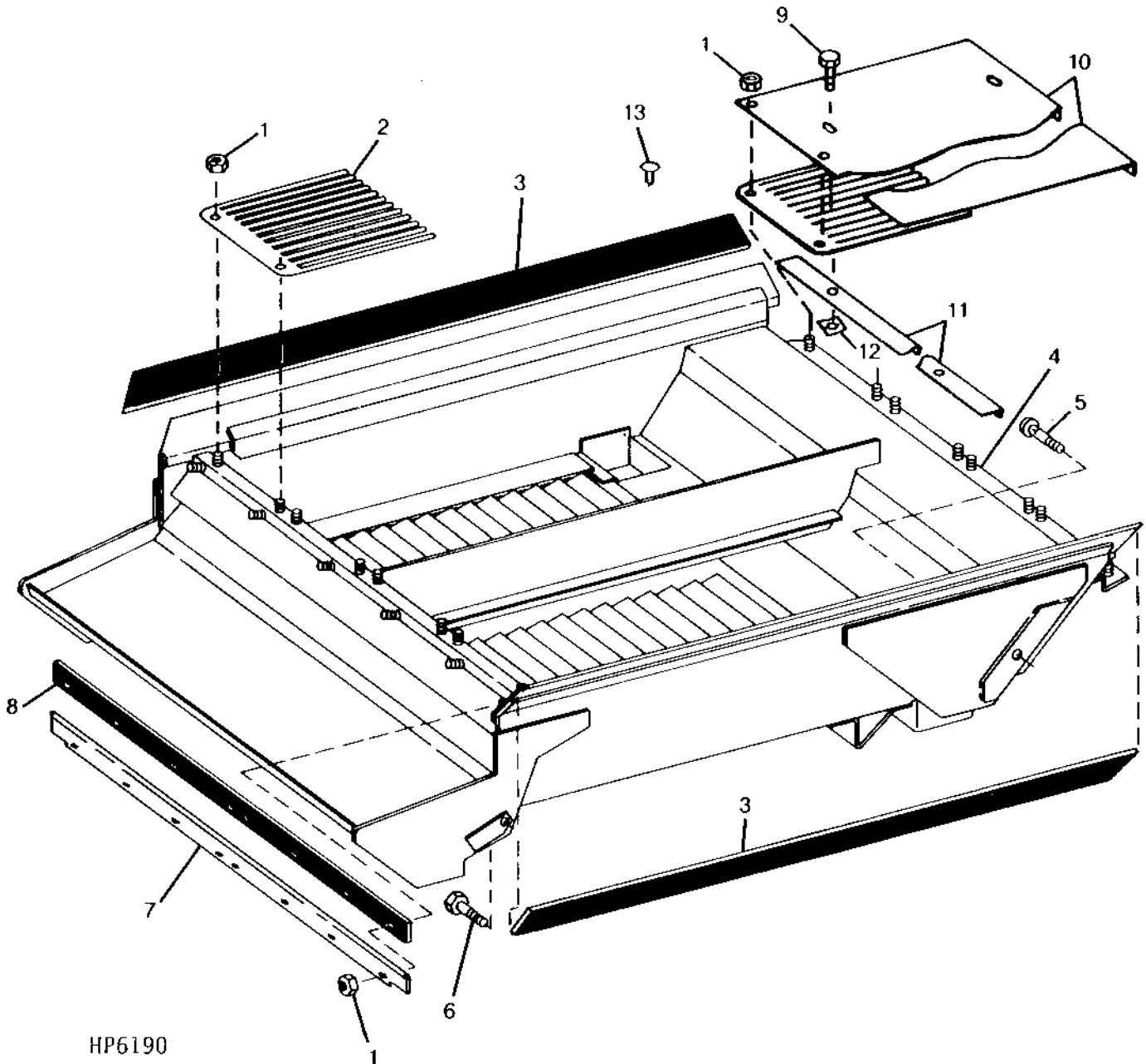
PRECLEANING CHAFFER - CONTINUED

KEY	PART NO.	PART NAME	QTY	SERIAL NO.	0 H	REMARKS
					9	
					5	
					9	
					5	
					0	
					5	
					S	
					0	
					H	
1	AH127465	LOUVER	26		X X	PRECLEANER LOUVER (GENERAL PURPOSE)
	AH127466	LOUVER	1		X X	SEMI-DEEP TOOTH LOUVER
2	H132291	LEAF SPRING	2		X X	
3	H132288	STRIP	3		X X	
4	FRAME	1		X	
5	H156800	RETAINER	2		X	
6	H156801	ACTUATOR	1		X	
7	19M7775	SCREW	2		X	M6 X 16
8	19M7784	SCREW	2		X	M10 X 20
9	AH133724	ISOLATOR	2		X X	CUT TO LENGTH
10	14M7400	LOCK NUT	2		X	M10
11	14M7397	LOCK NUT	2		X	M6
12	AH156717	STRIP	1		X X	
13	AH149545	CHAFFER	2		X X	ADJUSTABLE, GENERAL PURPOSE
	AH127871	CHAFFER	2		X X	SOLID STEP
	AH131215	CHAFFER	2		X X	3MM HOLES - NONADJUSTABLE
	AH149549	CHAFFER	2		X X	ADJUSTABLE, SEMI-DEEP TOOTH
14	24H1308	WASHER	4		X X	13/32" X 1" X 0.134"
15	19M7785	SCREW	4		X X	M10 X 25

3H23

CLEANING SHOE

PRECLEANER CHAFFER FRAME
HP6190 -UN-03OCT95



HP6190

3H24

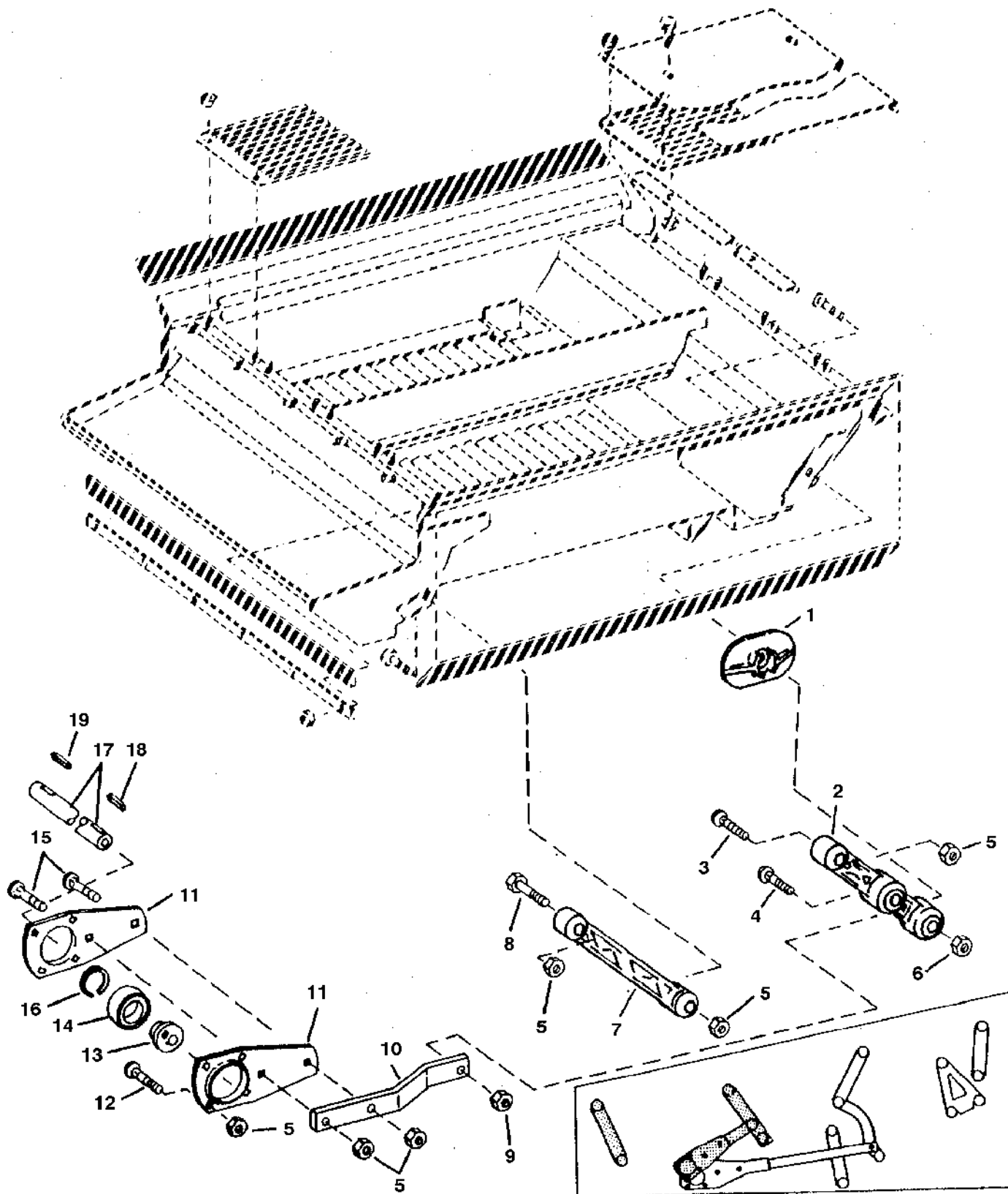
CLEANING SHOE

PRECLEANER CHAFFER FRAME - CONTINUED

KEY	PART NO.	PART NAME	QTY	SERIAL NO.	9 5 9 5 5 0 5 S 0 H	REMARKS
1	14M7396	LOCK NUT	AR		X X	M8
2	H132161	FINGER	4		X X	15 FINGER (FRONT)
	H156717	FINGER	2		X X	12 FINGER
	H156718	FINGER	4		X X	15 FINGER (REAR)
3	H152232	SEAL	2		X X	(ILLUSTRATED)
4	AH153808	FRAME	1		X X	
5	03M7281	BOLT	2		X X	M16 X 180
6	19M7758	CAP SCREW	2		X X	M12 X 130
7	H152617	STRIP	1		X X	
8	H152616	SEAL	1		X X	
9	19M7868	SCREW	AR		X X	M8 X 30
10	H136609	SHEET	1		X X	
11	H136611	ANGLE	1		X X	
12	R87345	LOCK NUT	AR		X X	
13	R55326	RIVET	6		X X	

PRECLEANER CHAFFER FRAME ARMS

HP6891 -UN-18AUG97

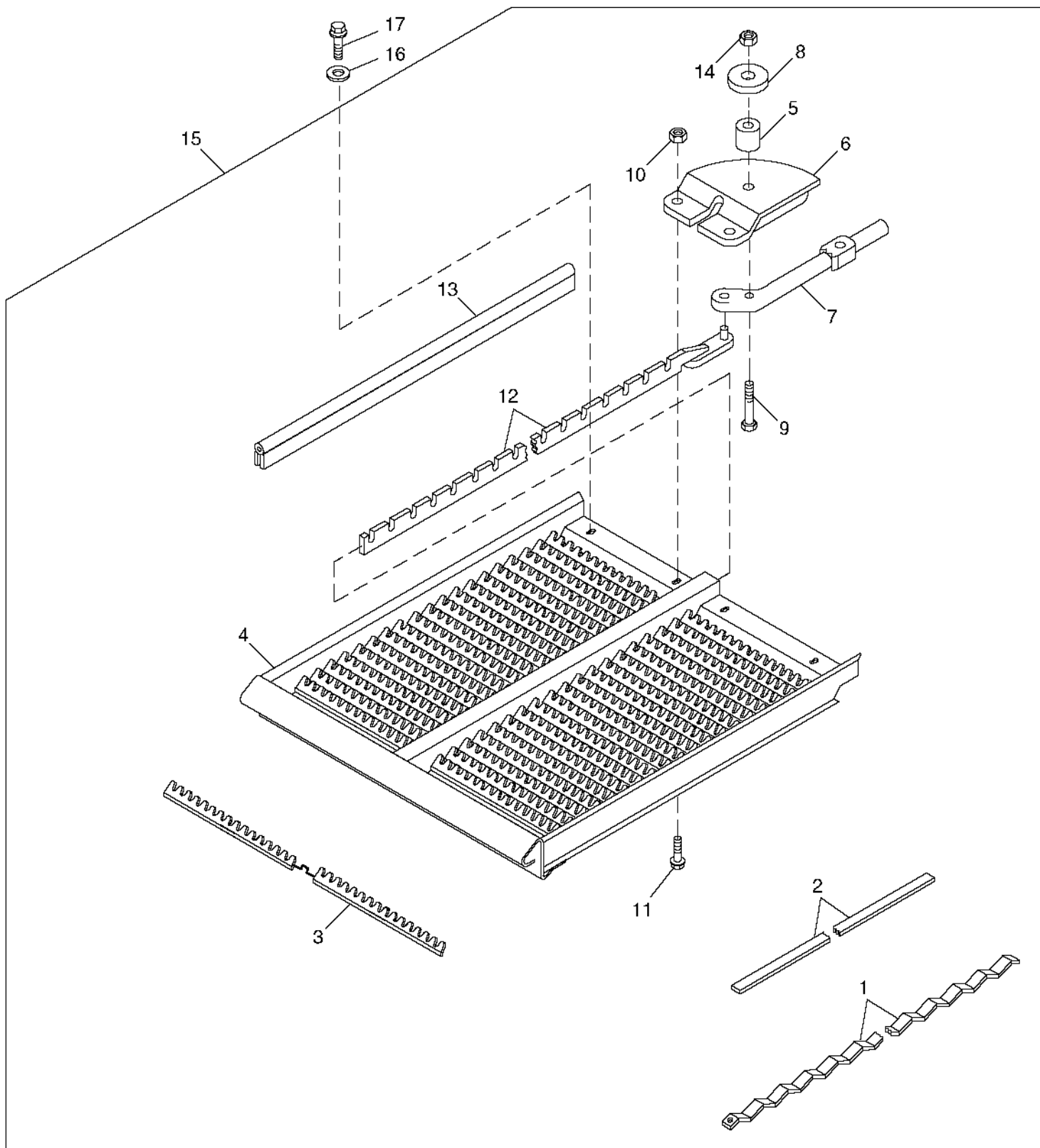


HP6891

PRECLEANER CHAFFER FRAME ARMS - CONTINUED

KEY	PART NO.	PART NAME	QTY	SERIAL NO.	0 H	REMARKS
					9	
					5	
					9	
					5	
					0	
					5	
					S	
					0	
					H	
1	H146672	SEAL	2		X X	
2	AH138234	LINK	2		X X	CAST
3	03M7248	BOLT	2		X X	M12 X 90
4	19M8043	CAP SCREW	2		X X	M16 X 140
5	14M7299	FLANGE NUT	AR		X X	M12
6	14M7276	NUT	2		X X	M16
7	AH138231	LINK	2		X X	CAST
8	19M7818	SCREW	1		X X	M12 X 80
9	14M7291	FLANGE NUT	2		X X	M16
10	H130922	PITMAN	2		X X	
11	H134118	PRESSED FLANGED HOUSING	4		X X	
12	03M7197	BOLT	AR		X X	M12 X 25
13	H133599	CAM	1		X X	L.H.
	H133602	CAM	1		X X	R.H.
14	AH125975	BALL BEARING	2		X X	
15	03M7200	BOLT	AR		X X	M12 X 40
16	R43383	SNAP RING	2		X X	
17	H133598	SHAFT	1		X X	CLEANING SHOE SHAFT
18	SHAFT KEY	1		X X	6 X 50 MM (IN AH141142 KEY STOCK KIT) (CUT FROM H150268)
19	SHAFT KEY	1		X X	6 X 100 MM (IN AH141142 KEY STOCK KIT) (CUT FROM H150268)

CHAFFER ELEMENT
HP9724 -UN-20APR00

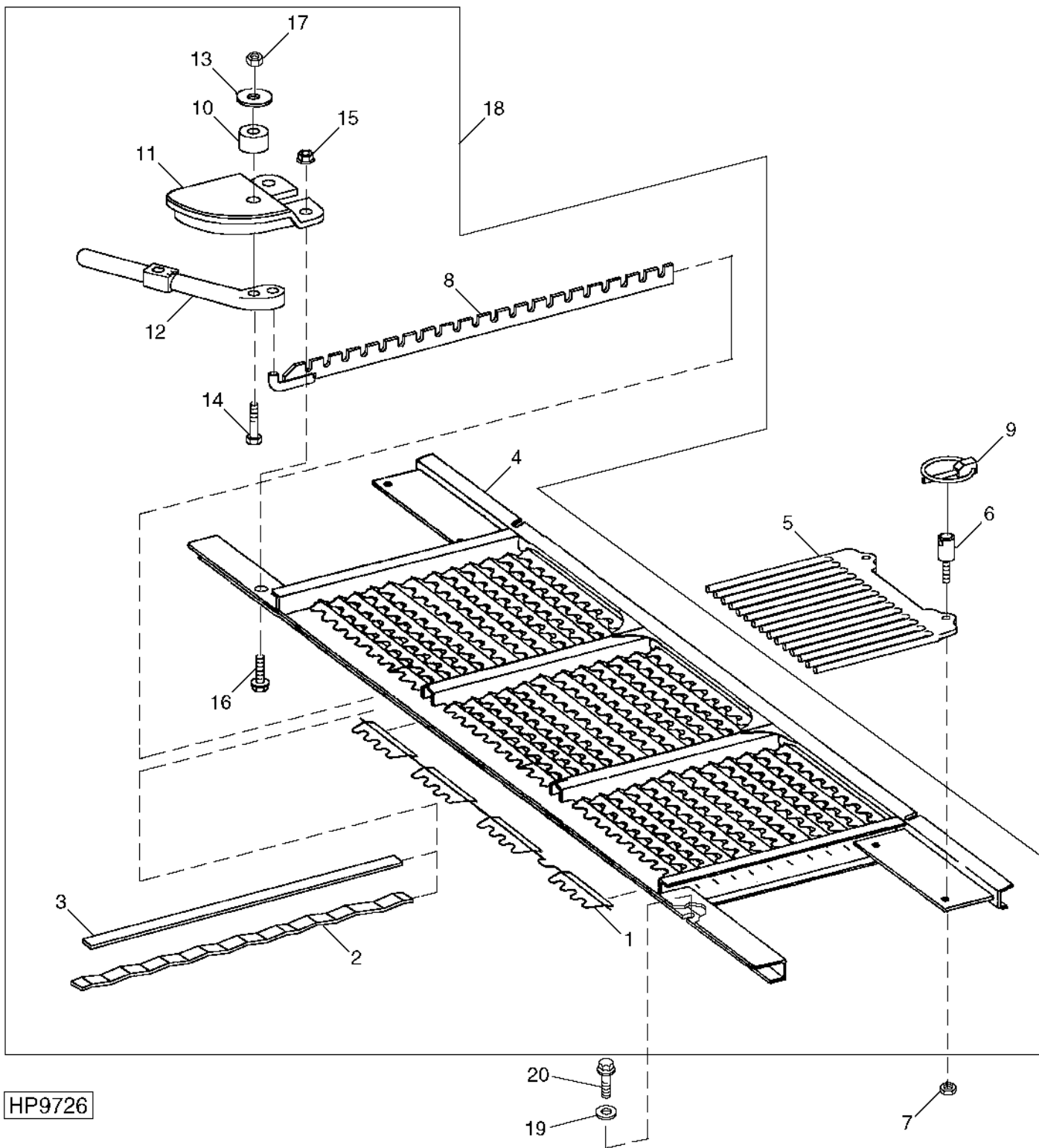


HP9724

CHAFFER ELEMENT - CONTINUED

KEY	PART NO.	PART NAME	QTY	SERIAL NO.	0 H	REMARKS
					9	
					5	
					9	
					5	
					0	
					5	
					S	
					0	
					H	
1	H132291	LEAF SPRING	2		X X	
2	H132288	STRIP	2		X X	
3	AH132787	LOUVER	26		X X	GENERAL PURPOSE LOUVERS
	AH127465	LOUVER	27		X X	SEMI-DEEP TOOTH LOUVERS
4	FRAME	1		X X	FIXED LOUVER
5	A37576	PAD	1		X X	
6	H157740	BRACKET	1		X X	
7	H157743	HANDLE	1		X X	
8	24H1695	WASHER	1		X X	
9	19M7177	CAP SCREW	1		X X	M6 X 35
10	14M7296	FLANGE NUT	2		X X	M10
11	19M7784	SCREW	2		X X	M10 X 20
12	AH150167	STRIP	1		X X	
13	AH140044	ISOLATOR	1		X X	CUT TO LENGTH
14	14M7397	LOCK NUT	1		X X	M6
15	AH149551	CHAFFER	2		X X	GENERAL PURPOSE, ADJUSTABLE
	AH149553	CHAFFER	2		X X	SEMI-DEEP TOOTH, ADJUSTABLE
	AH130486	CHAFFER	2		X X	FIXED LOUVER, NONADJUSTABLE
16	24H1308	WASHER	4		X X	13/32" X 1" X 0.134"
17	19M7785	SCREW	4		X X	M10 X 25

CHAFFER EXTENSION ELEMENT
HP9726 -UN-20APR00

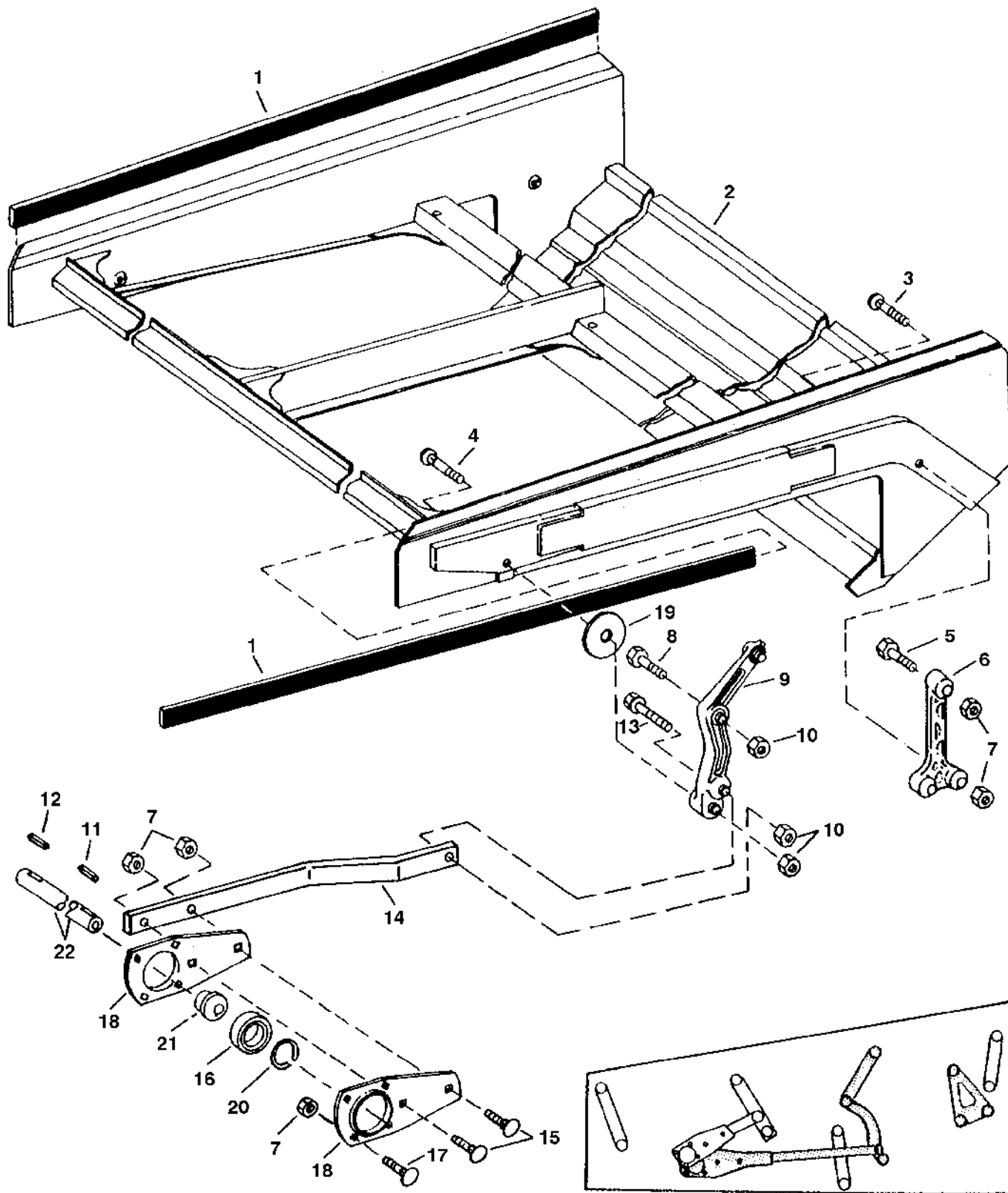


HP9726

CHAFFER EXTENSION ELEMENT - CONTINUED

KEY	PART NO.	PART NAME	QTY	SERIAL NO.	0 H	REMARKS
					9	
					5	
					9 5	
					5 0	
					5 S	
					0 H	
1	AH127465	LOUVER	12		X X	EXTENSION WIDE
2	H132293	LEAF SPRING	3		X X	
3	H132290	STRIP	3		X X	
4	AH130996	CHAFFER	1		X X	FIXED ELEMENT, NONADJUSTABLE
5	H132161	FINGER	2		X X	15 FINGERS (ADJUSTABLE)
	H132160	FINGER	2		X X	FOR FIXED LOUVER
6	H157752	STUD	2		X X	
7	14M7298	FLANGE NUT	2		X X	M8
8	AH150169	STRIP	1		X X	
9	M72598	QUICK LOCK PIN	2		X X	
10	A37576	PAD	1		X X	
11	H157740	BRACKET	1		X X	
12	H157743	HANDLE	1		X X	
13	24H1695	WASHER	1		X X	9/32" X 1-3/8" X 0.065"
14	19M7177	CAP SCREW	1		X X	M6 X 35
15	14M7296	FLANGE NUT	2		X X	M10
16	19M7784	SCREW	2		X X	M10 X 20
17	14M7397	LOCK NUT	1		X X	M6
18	AH149555	EXTENSION	1		X X	GENERAL PURPOSE
	AH130996	CHAFFER	1		X X	FIXED LOUVER, NONADJUSTABLE
19	24H1308	WASHER	2		X X	13/32" X 1" X 0.134"
20	19M7785	SCREW	2		X X	M10 X 25

CHAFFER FRAME
HP8232 -UN-10FEB99

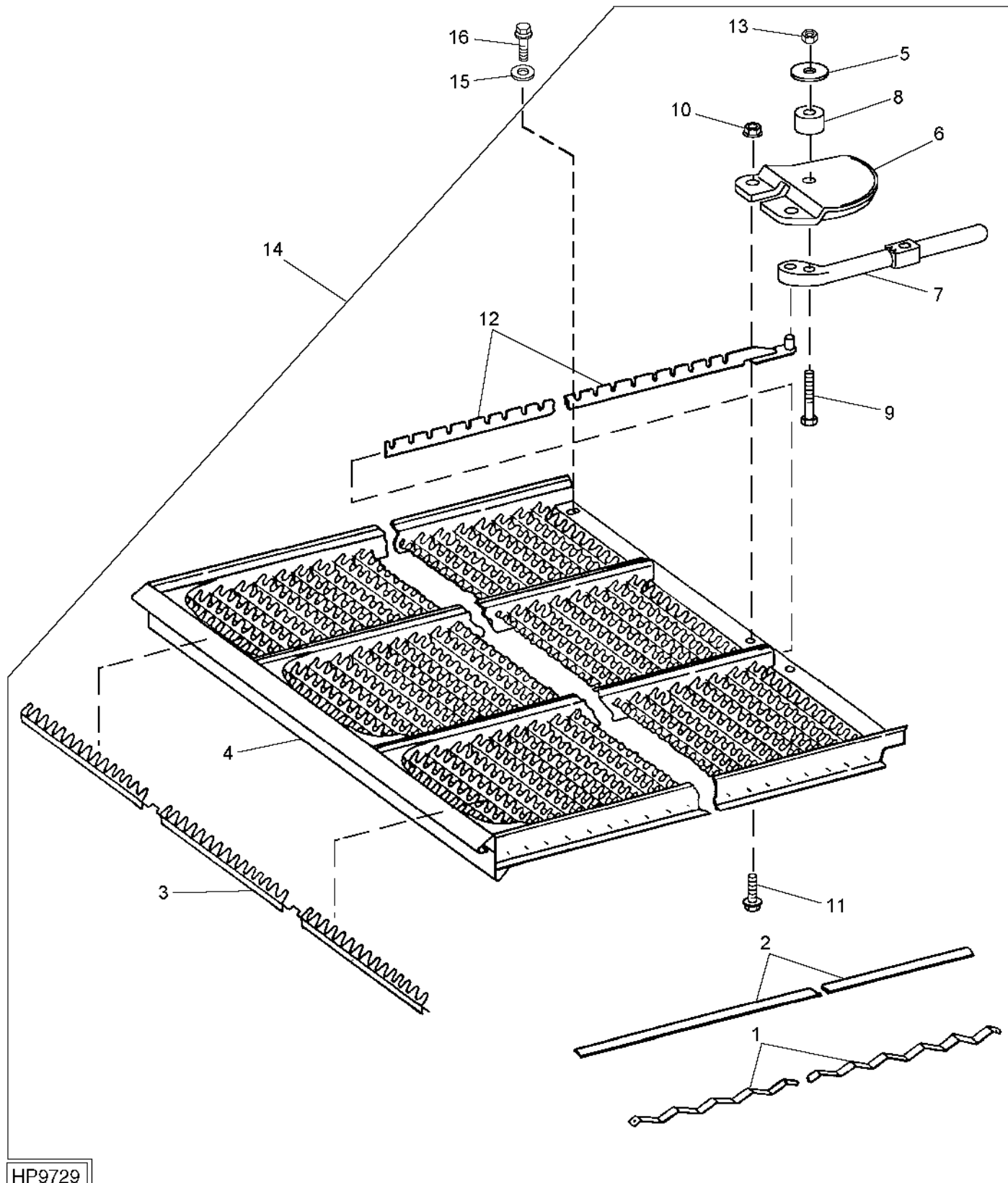


HP8232

CHAFFER FRAME - CONTINUED

KEY	PART NO.	PART NAME	QTY	SERIAL NO.	0 H	REMARKS
					9	
					5	
					9	
					5	
					0	
					5	
					S	
					0	
					H	
1	H175540	SEAL	2		X X	(SUB FOR H131319)
2	AH151971	FRAME	1		X X	
3	19M7943	CAP SCREW	2		X X	M12 X 90
4	19M7732	CAP SCREW	2		X X	M16 X 130
5	03M7248	BOLT	2		X X	M12 X 90
6	AH138232	LINK	2		X X	
7	14M7299	FLANGE NUT	AR		X X	M12
8	H154929	BOLT	2		X X	M16 X 130
9	AH125969	ARM	1		X X	L.H.
	AH125970	ARM	1		X X	R.H.
10	14M7291	FLANGE NUT	AR		X X	M16
11	SHAFT KEY	1		X X	6 X 100 MM (IN AH141142 KEY STOCK KIT) (CUT FROM H150268)
12	SHAFT KEY	1		X X	6 X 50 MM (IN AH141142 KEY STOCK KIT) (CUT FROM H150268)
13	19M8486	CAP SCREW	2		X X	M16 X 180
14	H150034	BAR	2		X X	
15	03M7198	BOLT	AR		X X	M12 X 30
	03M7200	BOLT	AR		X X	M12 X 40
16	AH125975	BALL BEARING	2		X X	
17	03M7198	BOLT	AR		X X	M12 X 30
18	H134118	PRESSED FLANGED HOUSING	4		X X	
19	H137188	SEAL	2		X X	
20	R43383	SNAP RING	2		X X	
21	H133600	CAM	1		X X	L.H.
	H133601	CAM	1		X X	R.H.
22	H133598	SHAFT	1		X X	

SIEVE ELEMENT
HP9729 -UN-20APR00



3110

CLEANING SHOE

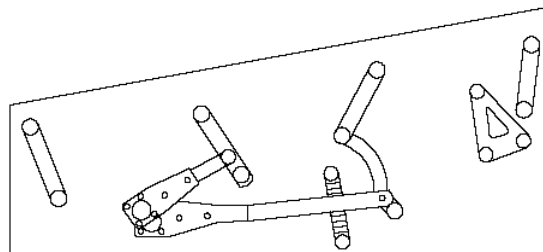
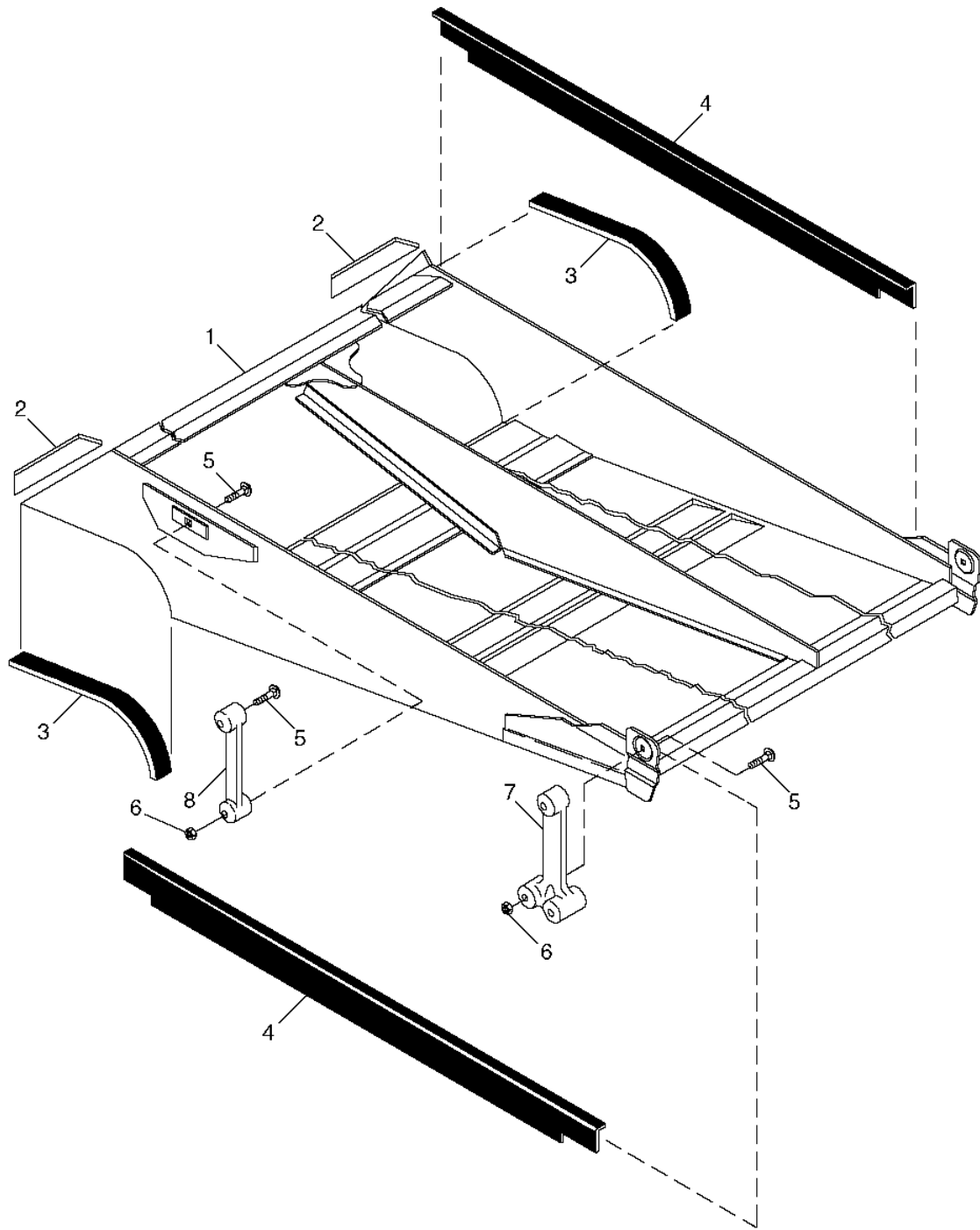
SIEVE ELEMENT - CONTINUED

KEY	PART NO.	PART NAME	QTY	SERIAL NO.	0 H	REMARKS
					9	
					5	
					9 5	
					5 0	
					5 S	
					0 H	
1	H132292	LEAF SPRING	1		X X	
2	H132289	STRIP	1		X X	
3	AH154420	LOUVER	40		X X	L.H.
	AH154400	LOUVER	40		X X	R.H.
4	FRAME	2		X X	
5	A37576	PAD	1		X X	
6	H157742	BRACKET	1		X X	L.H.
	H157741	BRACKET	1		X X	R.H.
7	H157744	HANDLE	1		X X	
8	24H1695	WASHER	1		X X	9/32" X 1-3/8" X 0.065"
9	19M7177	CAP SCREW	1		X X	M6 X 35
10	14M7296	FLANGE NUT	2		X X	M10
11	19M7784	SCREW	2		X X	
12	AH150168	STRIP	1		X X	
13	14M7397	LOCK NUT	1		X X	M6
14	AH149558	SIEVE	1		X X	R.H. GENERAL PURPOSE, ADJUSTABLE
	AH149559	SIEVE	1		X X	L.H. GENERAL PURPOSE, ADJUSTABLE
	AH131217	SIEVE	2		X X	3 MM FIXED HOLE NONADJUSTABLE
	AH131219	SIEVE	2		X X	10 MM FIXED HOLE NONADJUSTABLE
15	24H1308	WASHER	2		X X	10.312 X 25.400 X 3.404 MM
16	19M7785	SCREW	2		X X	M10 X 25

3111

CLEANING SHOE

SIEVE FRAME
HP8500 -UN-21APR99



HP8500

3112

CLEANING SHOE

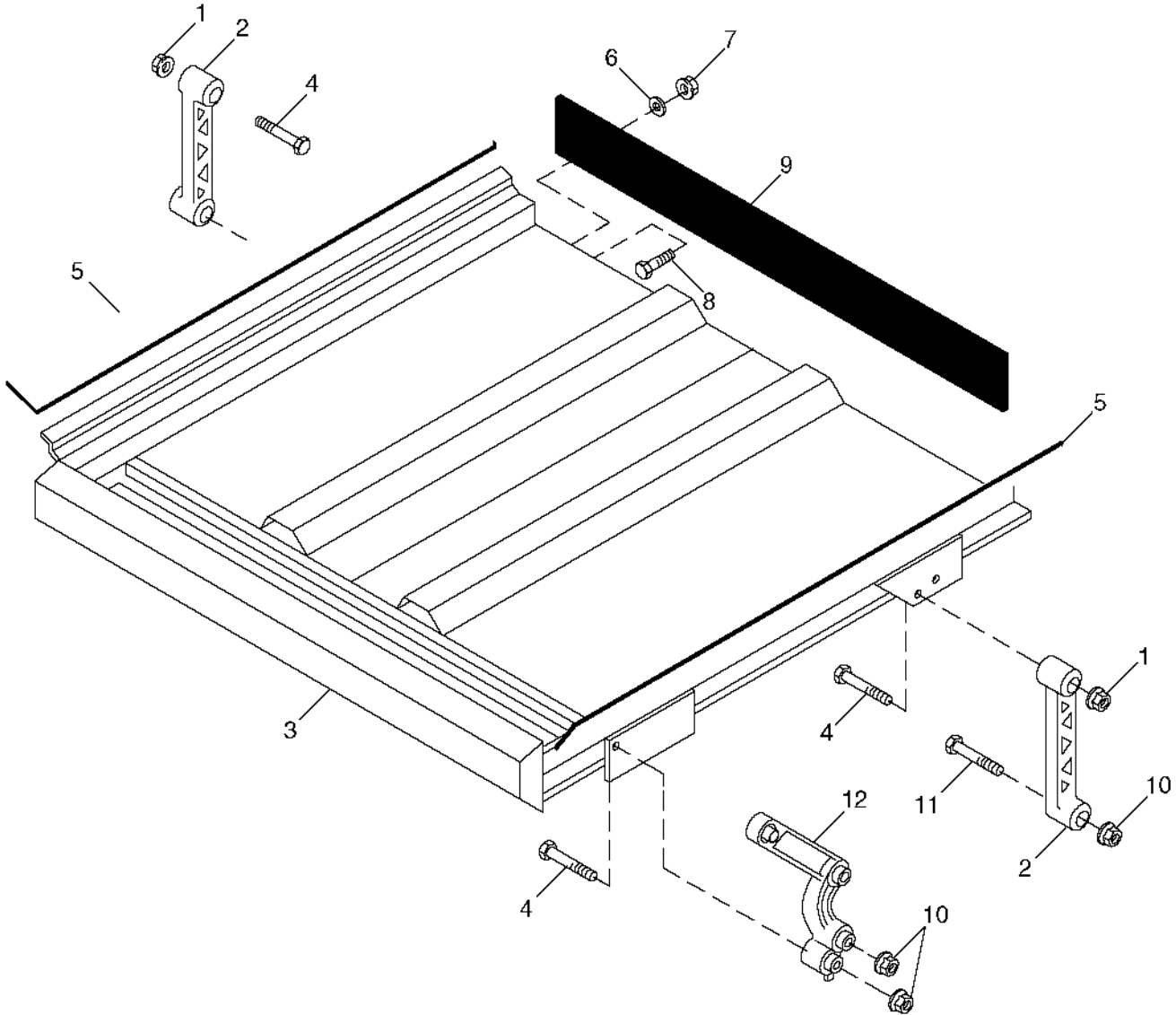
SIEVE FRAME - CONTINUED

KEY	PART NO.	PART NAME	QTY	SERIAL NO.	9 5 9 5 5 0 5 S 0 H	REMARKS
1	AH149701	FRAME	1		X X	
2	H133288	SEAL	2		X X	
3	AH159365	SEAL	2		X X	CUT 340 MM (12-1/2 ") (50 FT. ROLL)
4	H133287	SEAL	2		X X	
5	H154928	BOLT	6		X X	M12 X 90
6	14M7299	FLANGE NUT	6		X X	M12
7	AH138232	LINK	2		X X	
8	AH138230	LINK	2		X X	

3113

CLEANING SHOE

SHAKER PAN
HP8523 -UN-20JUL99



HP8523

3114

CLEANING SHOE

SHAKER PAN - CONTINUED

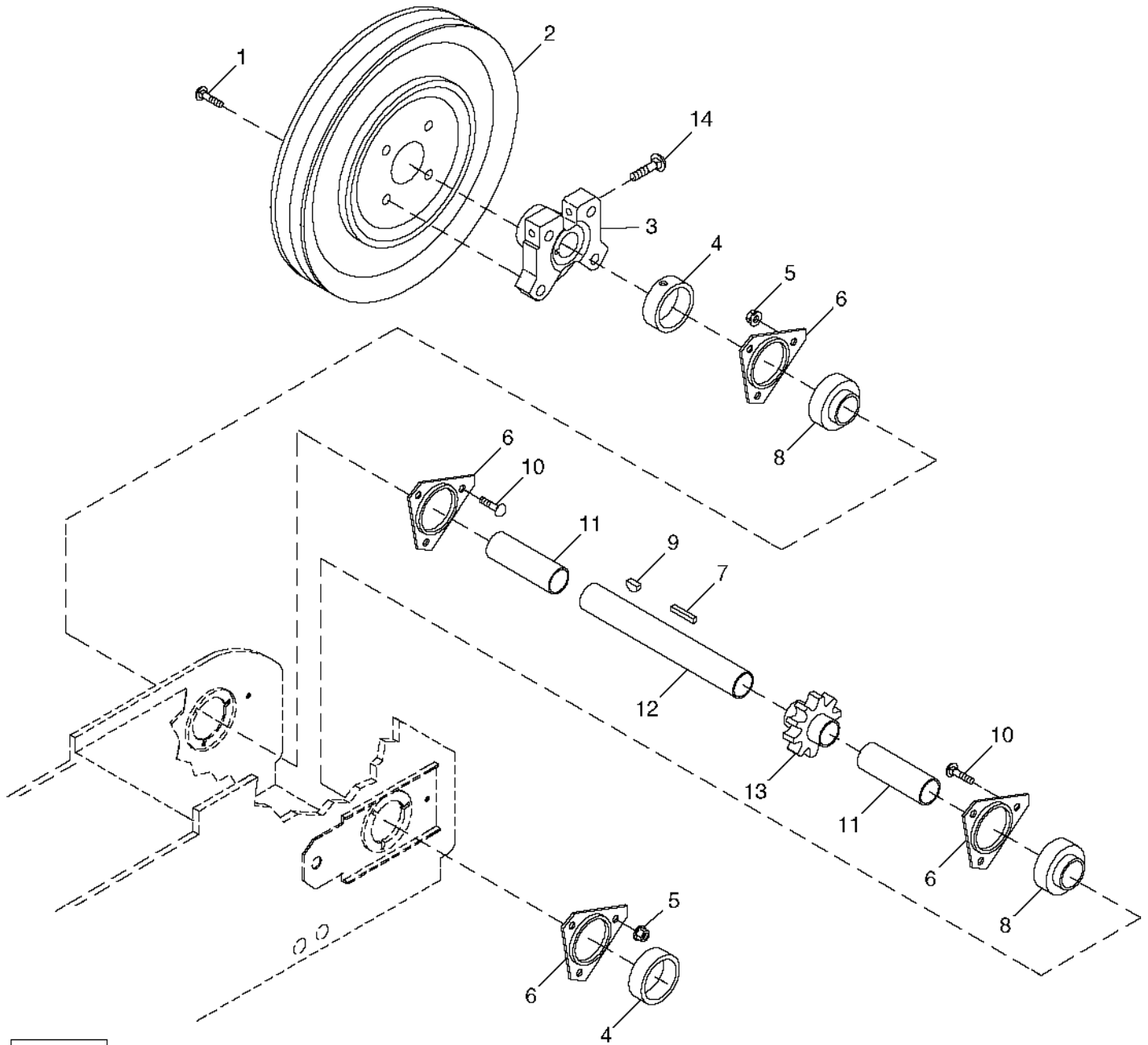
KEY	PART NO.	PART NAME	QTY	SERIAL NO.	9 5 9 5 5 0 5 S 0 H	REMARKS
1	14M7275	NUT	5		X X	M12
2	AH138230	LINK	2		X X	
3	AH128909	GRAIN PAN	1		X X	
4	19M7821	SCREW	2		X X	M12 X 120
5	H175590	SEAL	2		X X	(SUB FOR H133768)
6	24H1299	WASHER	7		X X	
7	14M7298	FLANGE NUT	7		X X	M8
8	19M7865	SCREW	7		X X	M8 X 16
9	H133789	SEAL	1		X X	REAR
10	14M7275	NUT	4		X X	M12
11	19M7819	SCREW	2		X X	M12 X 90
12	AH125970	ARM	1		X X	R.H.
	AH125969	ARM	1		X X	L.H.

MEMORANDA

3117

UPPER CLEAN GRAIN ELEVATOR SHAFT, SPROCKET AND SHEAVE

HP9514 -UN-25JAN00



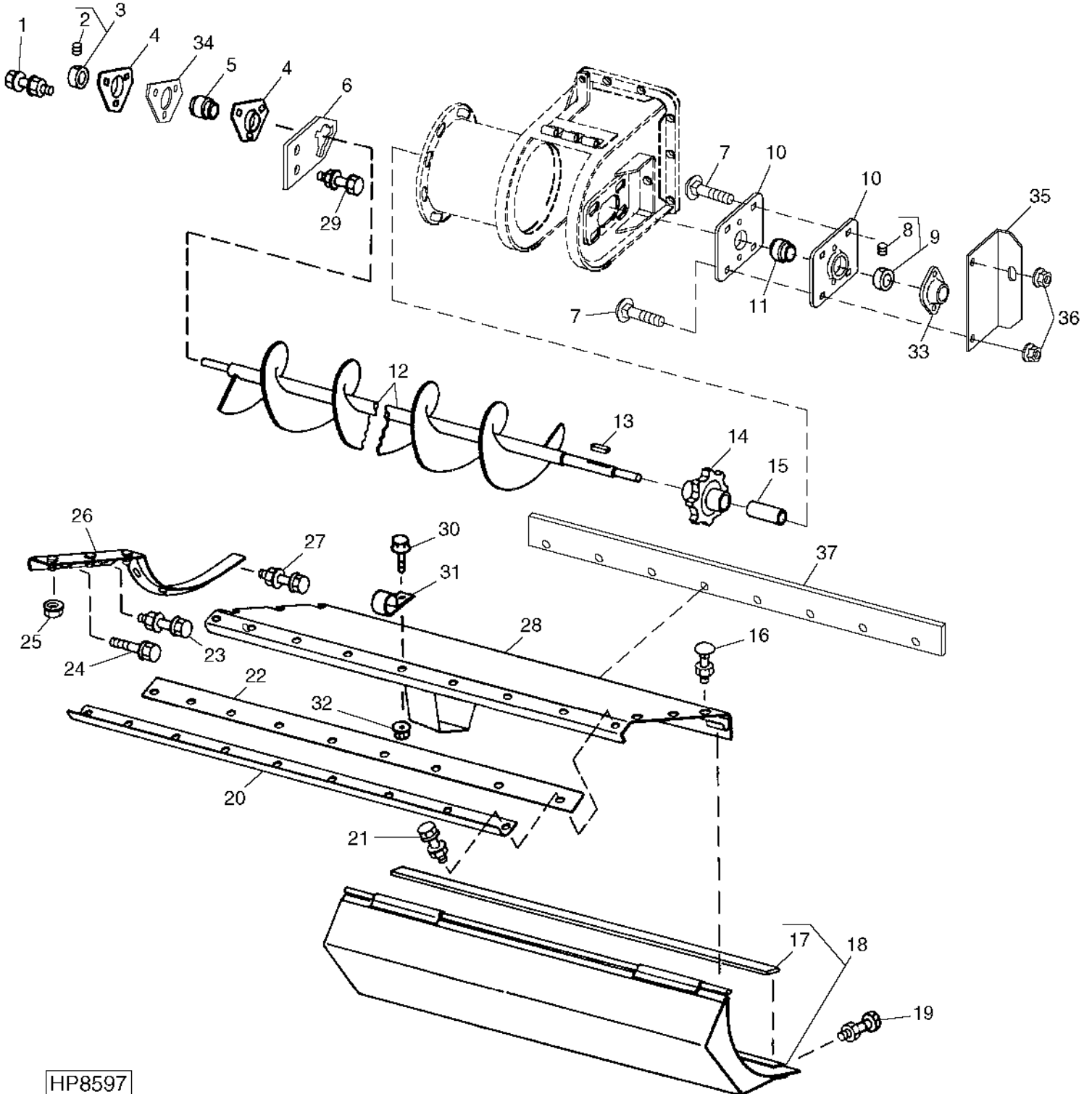
HP9514

UPPER CLEAN GRAIN ELEVATOR SHAFT, SPROCKET AND SHEAVE - CONTINUED

KEY	PART NO.	PART NAME	QTY	SERIAL NO.	9 5 9 5 5 0 5 S 0 H	REMARKS
1	19M7784	SCREW	4		X X	M10 X 20
2	AH135463	SHEAVE	1		X X	
3	H134760	HUB	1		X X	
4	AZ10045	ECCENTRIC LOCKING COLLAR	2		X X	
5	14M7296	FLANGE NUT	6		X X	M10
6	E10018	PRESSED FLANGED HOUSING	4		X X	
7	49M6480	SHAFT KEY	1		X X	8 X 7 X 50 MM
8	JD10384	BEARING	2		X X	
9	26M4228	SHAFT KEY	1		X X	
10	03M7190	BOLT	6		X X	M10 X 20
11	H157044	SPACER	2		X X	
12	H157043	SHAFT	1		X X	
13	H164796	SPROCKET SEGMENTS	1		X X	
14	19M7663	CAP SCREW	1		X X	M8 X 70

3119

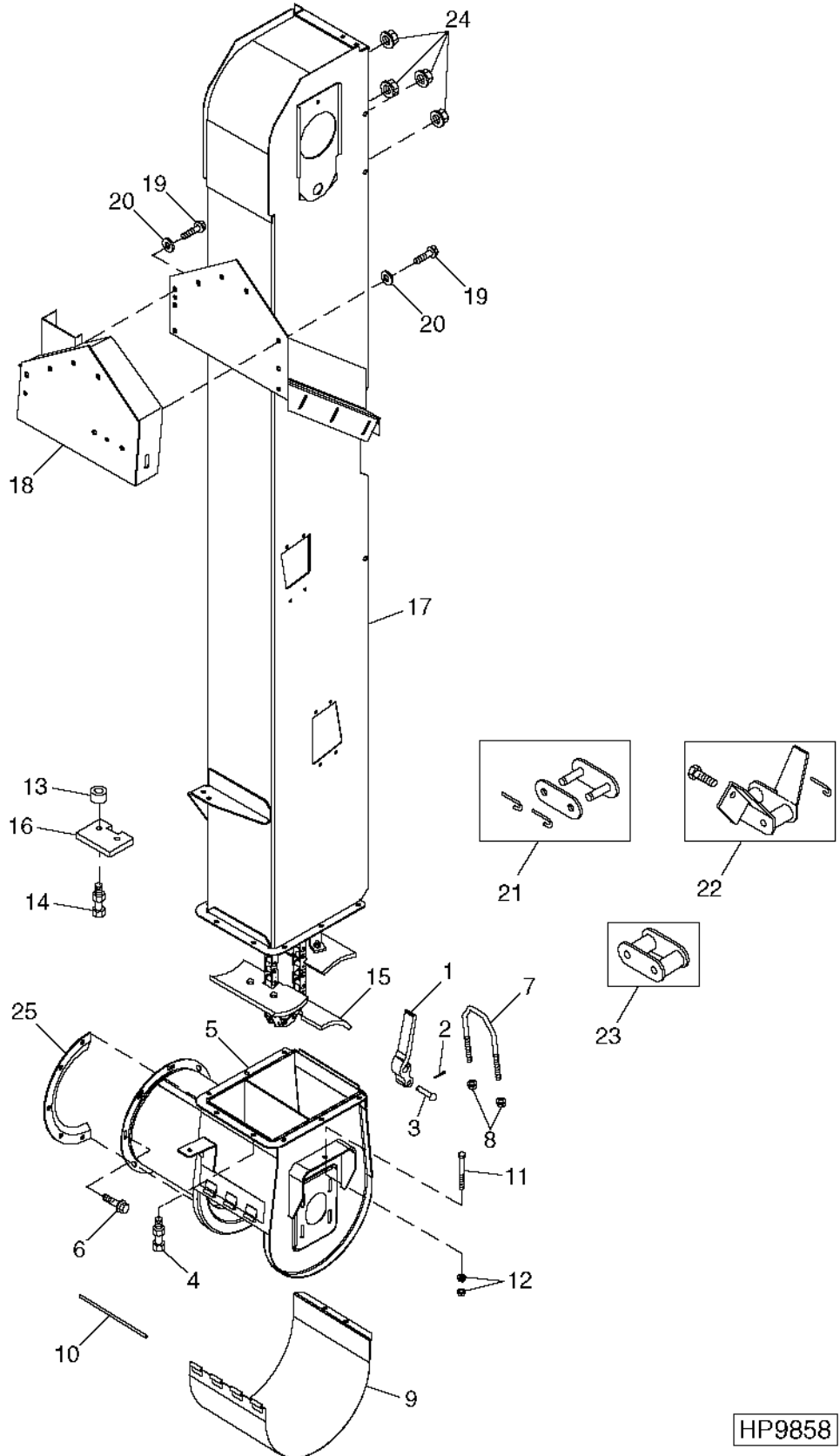
CLEAN GRAIN LOWER AUGER AND HINGED DOOR
HP8597 -UN-21JUL99



HP8597

CLEAN GRAIN LOWER AUGER AND HINGED DOOR - CONTINUED

KEY	PART NO.	PART NAME	QTY	SERIAL NO.	0 H	REMARKS
					9	
					5	
					9	
					5	
					0	
					5	
					S	
					0	
					H	
1	19M7867	SCREW	3		X X	M8 X 25
	14M7298	FLANGE NUT	3		X X	M8
2	22M7079	SET SCREW	1		X X	M6 X 6
3	AZ10044	ECCENTRIC LOCKING COLLAR	1		X X	
4	H103264	PRESSED FLANGED HOUSING	2		X X	
5	JD39102	BALL BEARING	1		X X	
6	H153521	PLATE	1		X X	
7	03M7193	BOLT	3		X X	M10 X 35
	Z36140	WASHER	3		X X	
	14M7296	FLANGE NUT	3		X X	M10
8	22M7080	SET SCREW	1		X X	M8 X 8
9	AZ10045	ECCENTRIC LOCKING COLLAR	1		X X	
10	H152916	PRESSED FLANGED HOUSING	2		X X	
11	JD39106	BALL BEARING	1		X X	
12	AH162154	AUGER	1		X X	
13	SHAFT KEY	1		X X	8 X 7 X 40 MM (IN AH141142 KEY STOCK KIT) (CUT FROM H150269)
14	H133143	CHAIN SPROCKET	1		X X	
15	H156711	SPACER	1		X X	
16	03M7183	BOLT	3		X X	M8 X 16
	14M7298	FLANGE NUT	3		X X	M8
17	H88773	ISOLATOR	AR		X X	CUT TO 1290 MM, 61-5/8". USE ONLY ON DOOR WITH PROTECTIVE PLATE.
18	AH139388	DOOR	1		X X	SOLID
	AH139389	DOOR	1		X X	PERFORATED
	AH139391	DOOR	1		X X	SOLID, WITH PROTECTIVE PLATE
19	19M7799	SCREW	5		X X	M8 X 45
	14M7396	LOCK NUT	5		X X	M8
20	H134308	REINFORCEMENT	1		X X	
21	19M7866	SCREW	10		X X	M8 X 20
	14M7298	FLANGE NUT	10		X X	M8
22	H75952	SEAL	1		X X	
23	19M7865	SCREW	2		X X	M8 X 16
	14M7298	FLANGE NUT	2		X X	M8
24	19M7865	SCREW	1		X X	M8 X 16
25	14M7298	FLANGE NUT	3		X X	M8
26	AH122506	REINFORCEMENT	1		X X	
27	19M8039	SCREW	3		X X	M8 X 80
	24M7055	WASHER	3		X X	8.400 X 16 X 1.600 MM
	14M7298	FLANGE NUT	3		X X	M8
28	AH165652	HINGE	1		X X	
29	19M7865	SCREW	2		X X	M8 X 16
	14M7298	FLANGE NUT	2		X X	M8
30	19M7865	SCREW	1		X X	M8 X 16
31	AH77884	CLIP	1		X X	
32	14M7298	FLANGE NUT	1		X X	M8
33	H155968	COVER	1		X X	
34	H152940	GASKET	1		X X	
35	H152914	BRACKET	1		X X	CHAIN ADJUSTMENT
36	14M7296	FLANGE NUT	7		X X	M10
37	H75952	SEAL	1		X X	

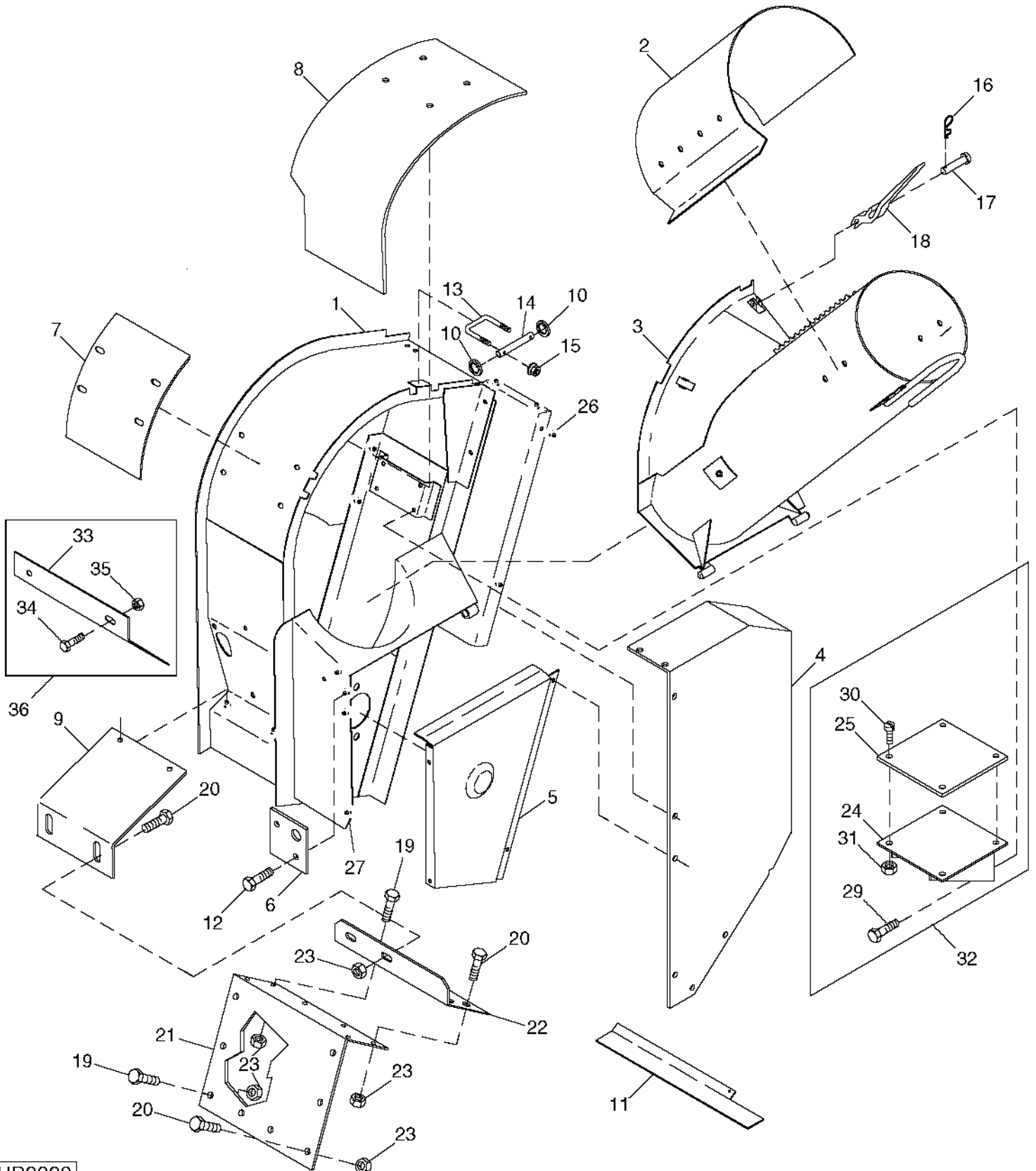


HP9858

CLEAN GRAIN ELEVATOR AND CONVEYOR CHAIN - CONTINUED

KEY	PART NO.	PART NAME	QTY	SERIAL NO.	0 H	REMARKS
					9	
					5	
					9	
					5	
					0	
					5	
					S	
					0	
					H	
1	H161342	LEVER	1		X X	
2	11M7081	COTTER PIN	1		X X	2.500 X 20 MM
3	RV810A	PIN	1		X X	
4	19M7866	SCREW	8		X X	M8 X 20
	14M7298	FLANGE NUT	8		X X	M8
5	AH171008	BOOT	1		X X	(SUB FOR AH148999)
6	37M7058	SCREW	8		X X	M8 X 20
7	H128877	U-BOLT	1		X X	
8	14M7396	LOCK NUT	2		X X	M8
9	AH138426	DOOR	1		X X	
	AH154068	DOOR	1		X X	PERFORATED
10	H76083	PIN	1		X X	
11	19M8241	CAP SCREW	1		X X	M10 X 100
12	14M7296	FLANGE NUT	3		X X	M10
13	H168578	SPACER	66		X X	
14	19M7867	SCREW	66		X X	M8 X 25
	E64256	LOCK NUT	66		X X	
15	AH162058	LINK CHAIN	1		X X	
16	H144667	PADDLE	33		X X	
17	AH149626	ELEVATOR	1		X X	
	AH160427	ELEVATOR	1		X X	STAINLESS STEEL
18	AH166572	SUPPORT	1		X X	
19	19M7786	SCREW	5		X X	M10 X 30
20	24H1308	WASHER	5		X X	13/32" X 1" X 0.134"
21	AH166638	CHAIN LINK	1		X X	
22	AH166639	CHAIN LINK	1		X X	
23	AH166640	CHAIN LINK	1		X X	
24	H154071	NUT	4		X X	M8
25	H175330	REINFORCEMENT	1		X X	WELD ON

UPPER CLEAN GRAIN LOADING AUGER HOUSING
HP9838 -UN-22JUN00



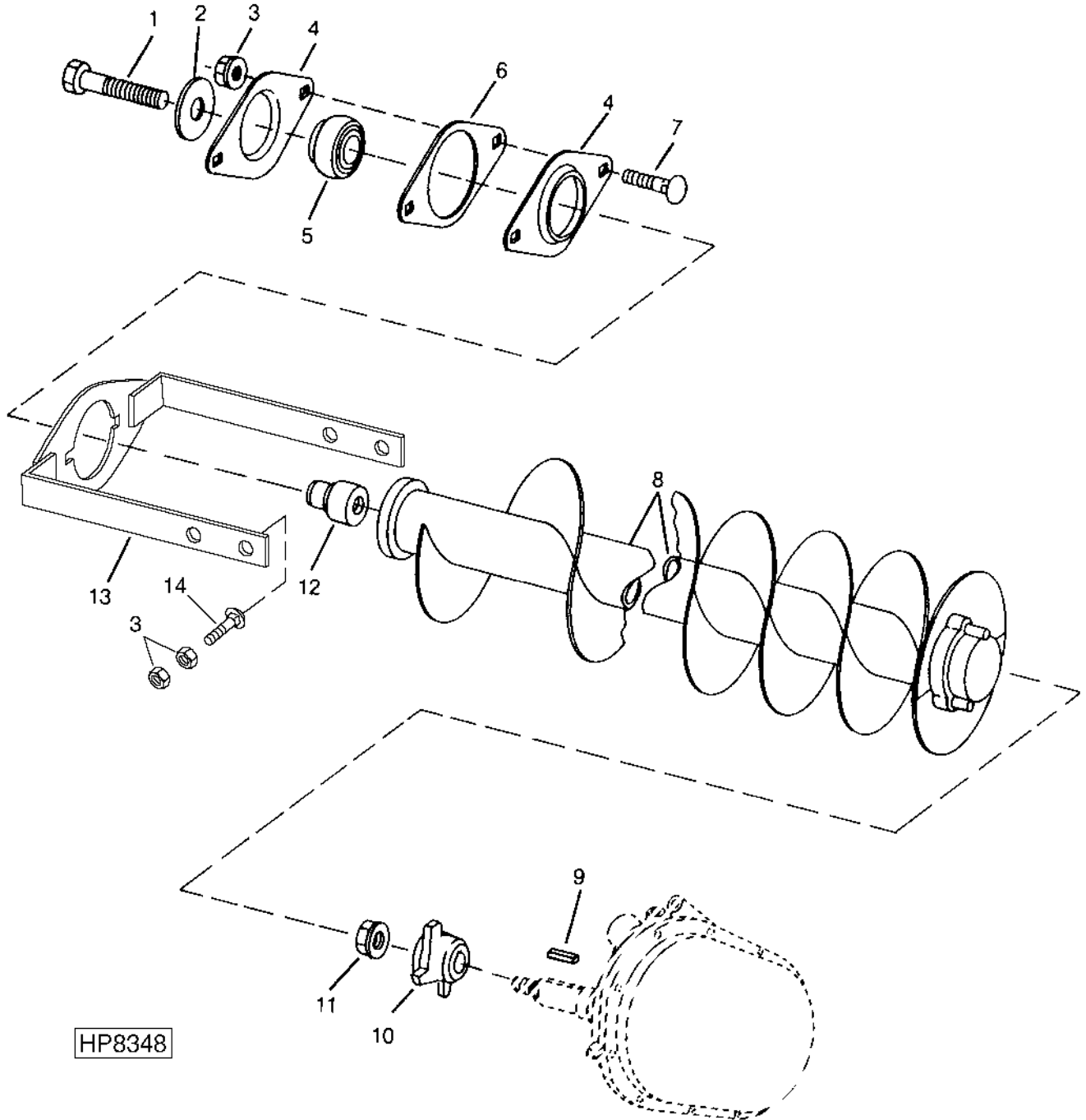
HP9838

UPPER CLEAN GRAIN LOADING AUGER HOUSING - CONTINUED

KEY	PART NO.	PART NAME	QTY	SERIAL NO.	0 H	REMARKS
					9	
					5	
					9	
					5	
					0	
					5	
					S	
					0	
					H	
1	AH149889	HOUSING	1		X X	
	AH160428	HOUSING	1		X X	STAINLESS STEEL
2	H157192	DEFLECTOR	1		X X	
3	AH150237	TUBE	1		X X	
	AH160429	TUBE	1		X X	STAINLESS STEEL
4	AH150173	SHIELD	1		X X	
5	AH150174	SHIELD	1		X X	
6	H157762	PLATE	1		X X	
7	H171004	COVER	1		X X	WITHOUT GREENSTAR
8	H167716	SHEET	1		X X	WITHOUT GREENSTAR
9	H157515	SUPPORT	1		X X	
10	AH166999	SEAL	1		X X	L.H.
11	H157196	SEAL	1		X X	FRONT
12	19M7785	SCREW	2		X X	M10 X 25
13	H161346	U-BOLT	1		X X	
14	H161581	PIN	1		X X	
15	14M7165	LOCK NUT	2		X X	M6
16	11M7081	COTTER PIN	1		X X	2.500 X 20 MM
17	RV810A	PIN	1		X X	
18	H161342	LEVER	1		X X	
19	19M7868	SCREW	2		X X	M8 X 30
20	19M7866	SCREW	12		X X	M8 X 20
21	H167667	COVER	1		X X	GRAIN TANK ELEVATOR OPENING
22	H169023	PLATE	1		X X	
23	14M7298	FLANGE NUT	14		X X	M8
24	AH165187	DEFLECTOR	1		X X	WITH GREENSTAR
25	H171184	SHEET	1		X X	WITH GREENSTAR
26	H143731	NUT	2		X X	
27	H154071	NUT	6		X X	M8
28	H154370	NUT	6		X X	M10
29	19M7866	SCREW	4		X X	M8 X 20
30	03M7184	BOLT	4		X X	M8 X 20
31	14M7298	FLANGE NUT	4		X X	M8
32	AH171007	DEFLECTOR	1		X X	
33	H172045	DEFLECTOR	2		X X	
34	19M7774	SCREW	2		X X	M6 X 12
35	14M7303	FLANGE NUT	2		X X	M6
36	AH170085	DEFLECTOR	1		X X	
..	BH81742	COMPLETE GOODS/SHIP. BUNDLE	1		X X	YIELD MAPPING FIELD CONVERSION
..	BH81758	COMPLETE GOODS/SHIP. BUNDLE	1		X X	MAPPING CONVERSION KIT
..	BH81760	COMPLETE GOODS/SHIP. BUNDLE	1		X X	MONITOR CONVERSION KIT

3J1

CLEAN GRAIN LOADING AUGER
HP8348 -UN-09JUL99



HP8348

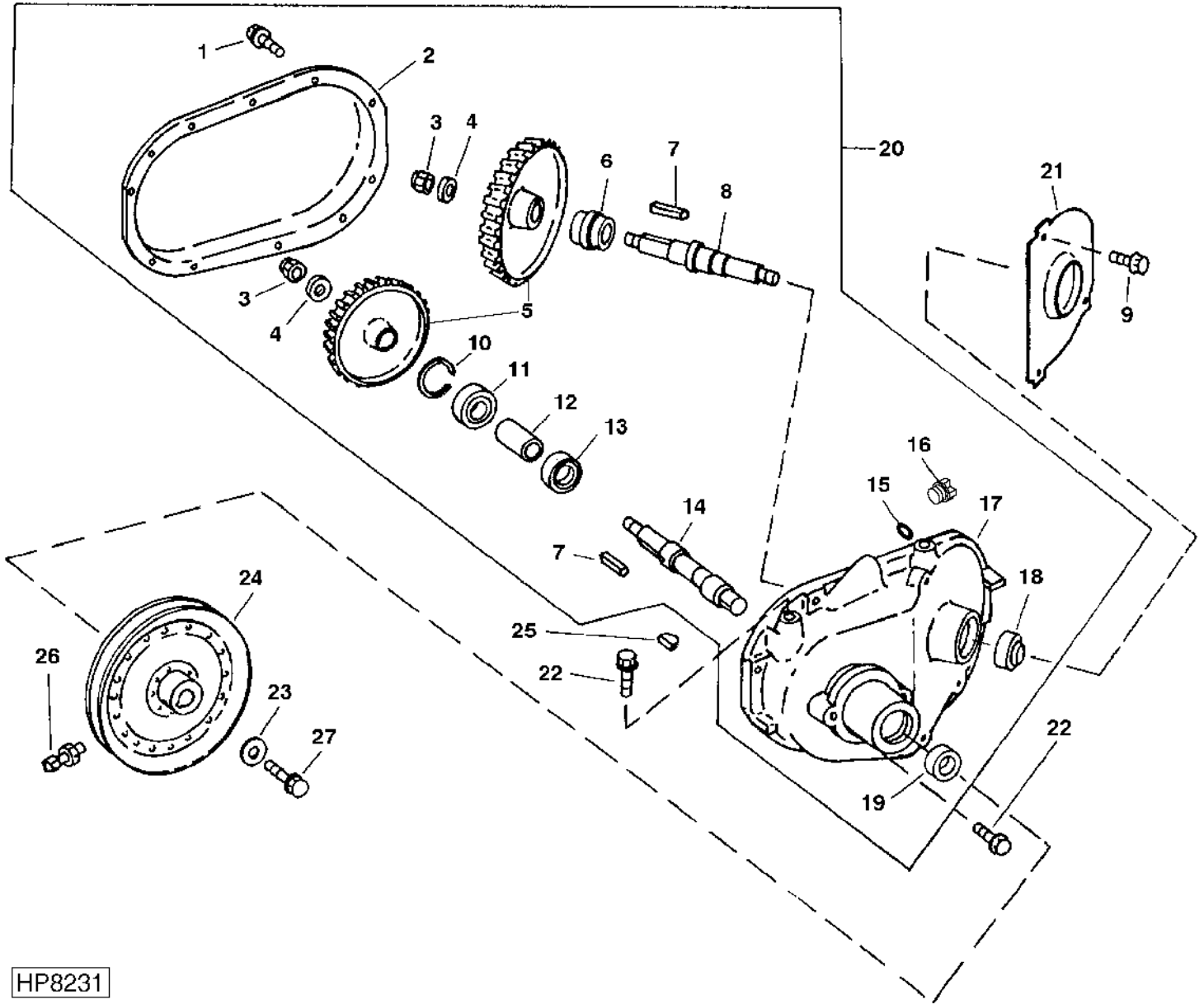
CLEAN GRAIN LOADING AUGER - CONTINUED

KEY	PART NO.	PART NAME	QTY	SERIAL NO.	9 5 9 5 5 0 5 S 0 H	REMARKS
1	19M7818	SCREW	1		X X	M12 X 80
2	24M7180	WASHER	1		X X	13 X 37 X 3 MM
3	14M7296	FLANGE NUT	10		X X	M10
4	N15764	PRESSED FLANGED HOUSING	2		X X	
5	JD9219	BALL BEARING	1		X X	
6	H137916	SHIM	2		X X	
7	03M7307	BOLT	2		X X	M10 X 25
8	AH154330	AUGER	1		X X	
9	49M4821	SHAFT KEY	1		X X	
10	H136186	AUGER	1		X X	
11	14M7291	FLANGE NUT	1		X X	M16
12	H137919	BUSHING	1		X X	
13	AH146834	SUPPORT	1		X X	
14	03M7193	BOLT	4		X X	M10 X 35

3J3

ELEVATORS

CLEAN GRAIN ELEVATOR GEARCASE AND SHEAVE
HP8231 -UN-15MAR99

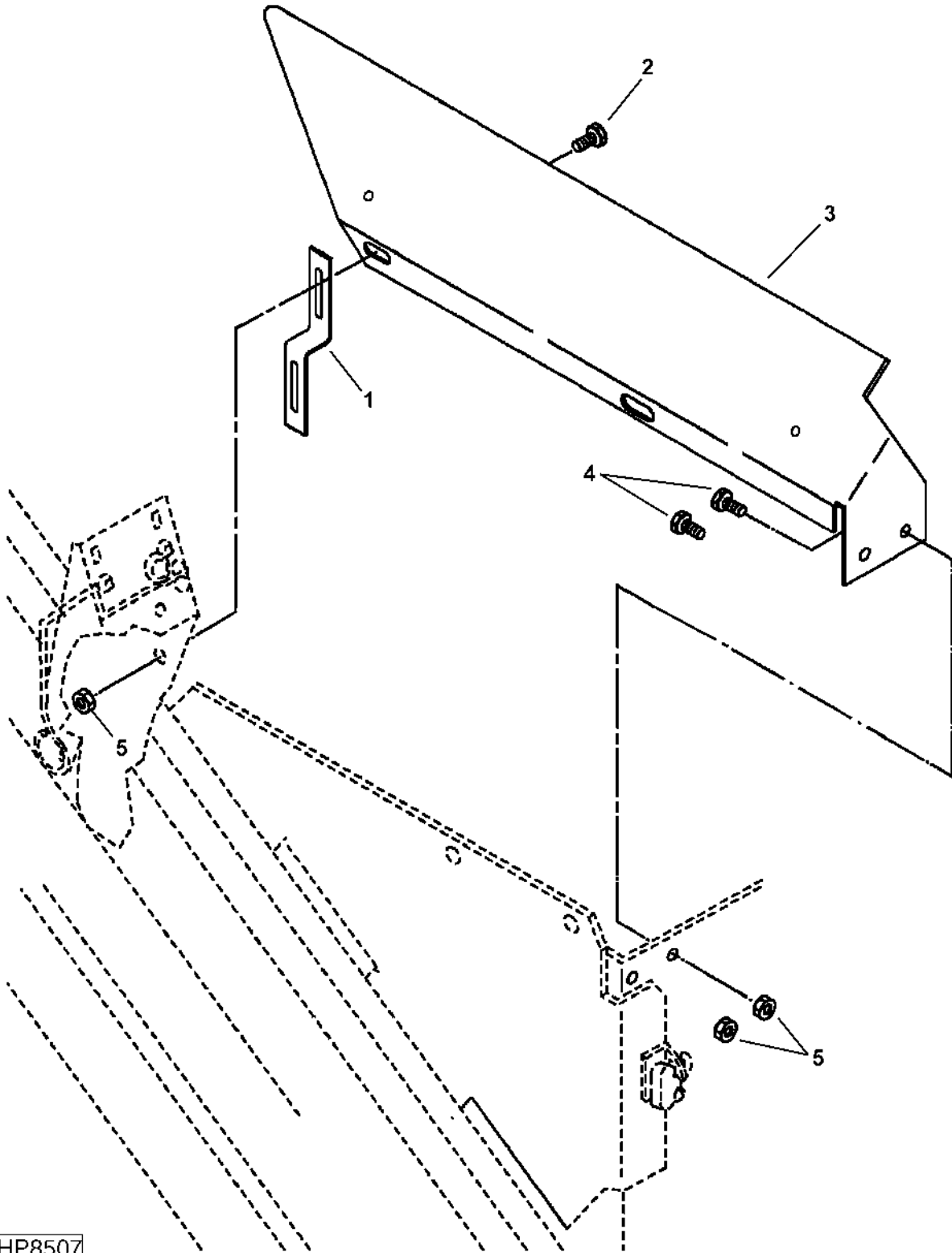


HP8231

CLEAN GRAIN ELEVATOR GEARCASE AND SHEAVE - CONTINUED

KEY	PART NO.	PART NAME	QTY	SERIAL NO.	0	9 5 9 5 5 5 0 H	REMARKS
1	19M7407	CAP SCREW	11		X	X	M8 X 25
	24H1685	WASHER	22		X	X	11/32" X 47/64" X 0.083"
2	H135454	COVER	1		X	X	
3	W39621	NUT	2		X	X	M16
4	24H1825	WASHER	2		X	X	11/16" X 1-1/2" X 0.194"
5	AH162230	KIT	1		X	X	MATCHED SET (46 TEETH, 53 TEETH)
6	AE42998	BALL BEARING	1		X	X	(CONTAINS CONE AND CUP)
7	49M4821	SHAFT KEY	2		X	X	6 X 6 X 32 MM
8	H136209	SHAFT	1		X	X	
9	19M7866	SCREW	3		X	X	M8 X 20
10	P46874	SNAP RING	1		X	X	
11	JD7689	BALL BEARING	1		X	X	
12	28H3054	BUSHING	1		X	X	1.278" X 1.660" X 2-15/32"
13	JD7681	BALL BEARING	1		X	X	
14	H135452	SHAFT	1	-685819	X	X	(USE WITH AH140127)
	H170967	SHAFT	1	685820-	X	X	(USE WITH DE19111)
15	R26375	O-RING	1		X	X	16.358 X 2.210 MM (0.644" X 0.087")
16	H139966	HANDLE	1		X	X	
17	CE18015	HOUSING	1		X	X	
18	AH131860	SEAL	1		X	X	
19	AH21815	SEAL	1		X	X	
20	AH140127	GEAR CASE	1	-685819	X	X	(SUB DE19111) (ALSO ORDER AH164868, 26M7008 AND H170967)
	DE19111	GEAR CASE	1	685820-	X	X	
21	H137606	PLATE	1		X	X	
22	19M7789	SCREW	4		X	X	M12 X 30
23	24M7101	WASHER	1		X	X	11 X 34 X 3 MM
24	AH132372	SHEAVE	1	-685819	X	X	(USE WITH AH140127) 11-INCH
	AH164868	SHEAVE	1	685820-	X	X	(USE WITH DE19111)
25	26H85	SHAFT KEY	1	-685819	X	X	1/4" X 1", (USE WITH AH140127)
	26M7008	SHAFT KEY	1	685820-	X	X	8 X 28 MM, (USE WITH DE19111)
26	22H836	SET SCREW	2		X	X	3/8" X 1"
	14H732	NUT	2		X	X	3/8"
27	19M7786	SCREW	1		X	X	M10 X 30
..	TY15130	SEALANT	1		X	X	(03 OZ. TUBE) (CANADA PART NO TY9484)
..	TY6341	GREASE	1		X	X	(14 OZ.) MULTI-PURPOSE

REAR LEFT SIDE TAILINGS SHIELD
HP8507 -UN-21APR99



HP8507

3J6

ELEVATORS

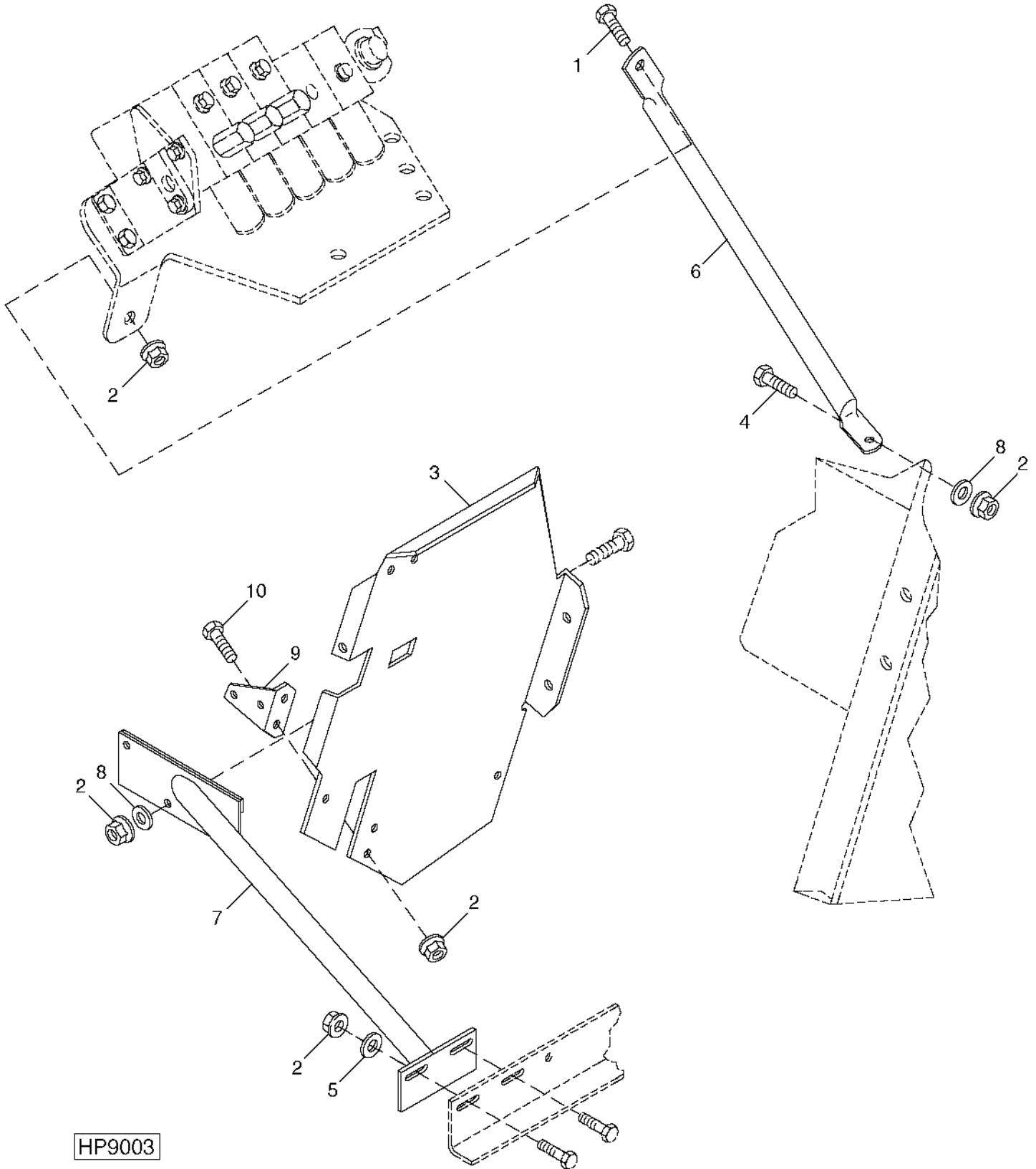
REAR LEFT SIDE TAILINGS SHIELD - CONTINUED

KEY	PART NO.	PART NAME	QTY	SERIAL NO.	9 5 9 5 5 0 5 S 0 H	REMARKS
1	H163757	BRACKET	1		X X	
2	19M7866	SCREW	1		X X	M8 X 20
3	H164556	SHIELD	1		X X	L.H. REAR
4	19M7865	SCREW	2		X X	M8 X 16
5	14M7298	FLANGE NUT	3		X X	M8

3J7

UPPER REAR TAILINGS SHEILD

HP9003 -UN-07SEP99



HP9003

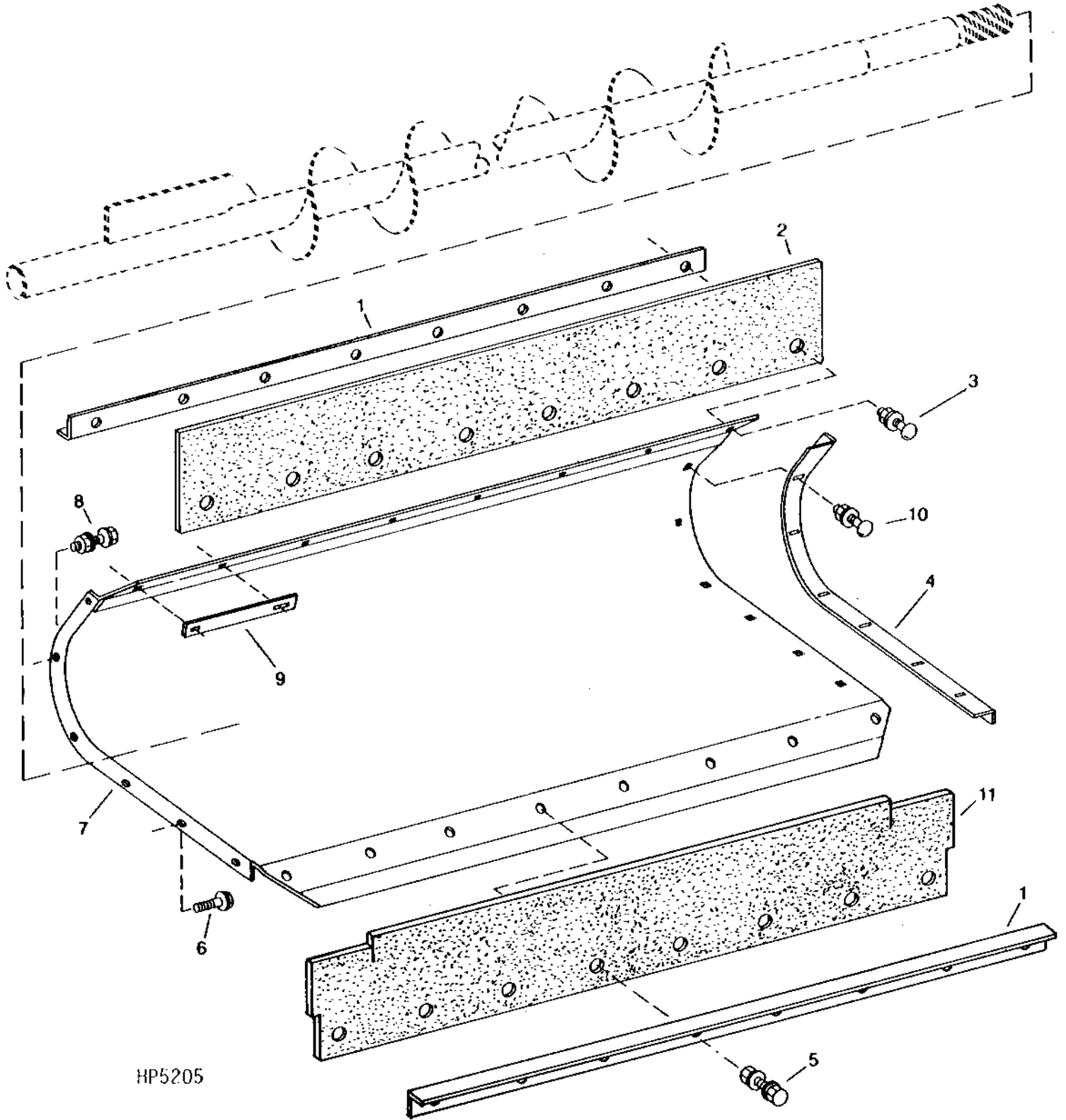
UPPER REAR TAILINGS SHEILD - CONTINUED

KEY	PART NO.	PART NAME	QTY	SERIAL NO.	REMARKS
1	19M7866	SCREW	1		M8 X 20
2	14M7298	FLANGE NUT	4		M8
3	H172116	SHIELD	1		
4	19M7803	SCREW	1		M8 X 70
5	24M7241	WASHER	2		17 X 34 X 4 MM
6	H158638	BRACE	1		
7	AH151354	SUPPORT	1		
8	24M7207	WASHER	1		8.400 X 24 X 2 MM
9	H158615	ANGLE	1		
10	19M7865	SCREW	2		

3J9

ELEVATORS

LOWER TAILINGS AUGER TROUGH
HP5205 -UN-01JAN94



HP5205

3J10

ELEVATORS

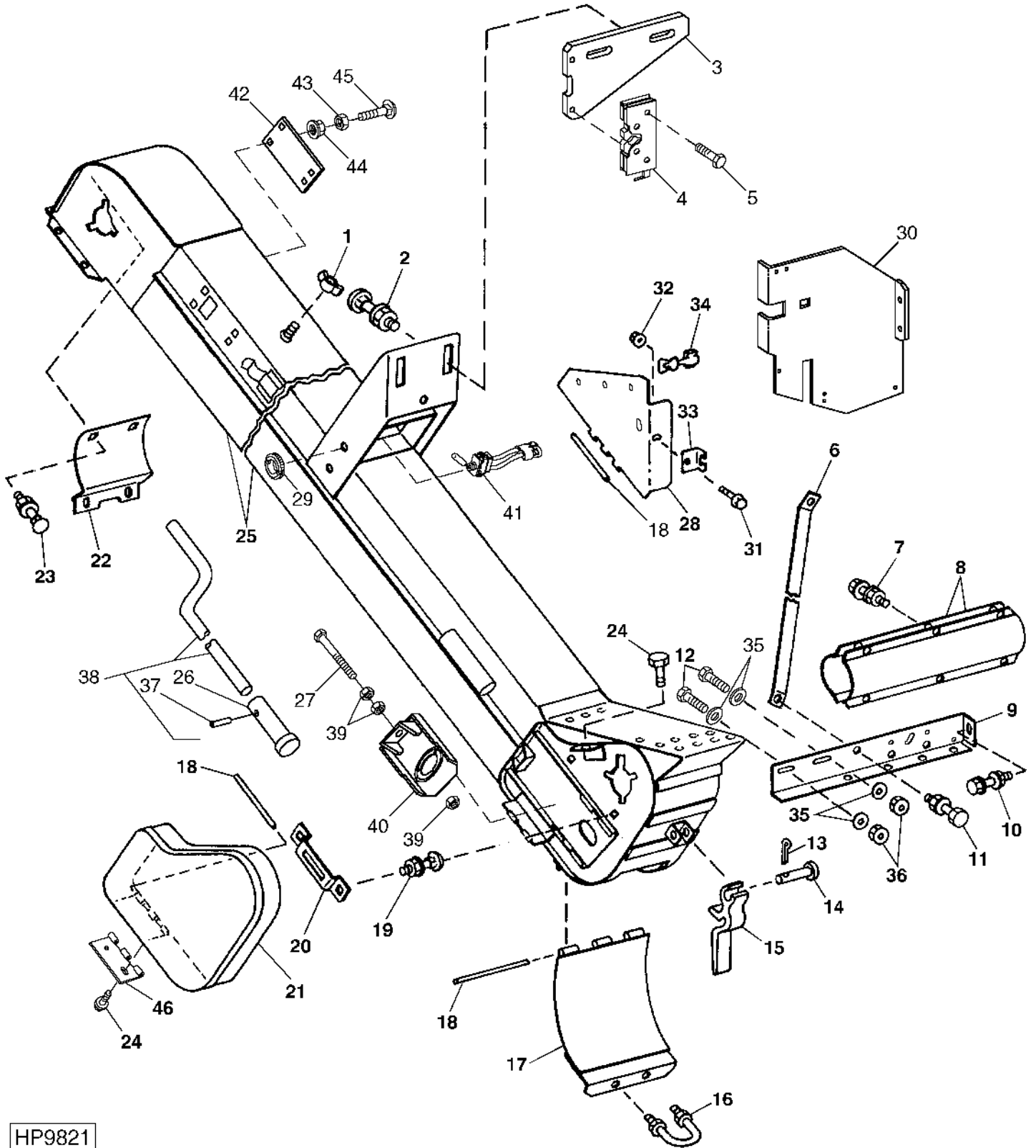
LOWER TAILINGS AUGER TROUGH - CONTINUED

KEY	PART NO.	PART NAME	QTY	SERIAL NO.	9 5 9 5 5 0 5 S 0 H	REMARKS
1	H134308	REINFORCEMENT	2		X X	
2	H134314	STRAP	1		X X	
3	19M7865	SCREW	AR		X X	M8 X 16
	14M7298	FLANGE NUT	AR		X X	M8
4	H134317	SUPPORT	1		X X	
5	19M7865	SCREW	AR		X X	M8 X 16
	14M7298	FLANGE NUT	AR		X X	M8
6	19M7866	SCREW	2		X X	M8 X 20
7	AH138655	TROUGH	1		X X	
8	19M7866	SCREW	4		X X	M8 X 20
	14M7298	FLANGE NUT	4		X X	M8
9	H137585	STRAP	1		X X	
10	03M7183	BOLT	AR		X X	M8 X 16
	14M7298	FLANGE NUT	AR		X X	M8
11	H147660	SEAL	1		X X	

3J11

ELEVATORS

TAILINGS ELEVATOR HOUSING
HP9821 -UN-20JUN00



HP9821

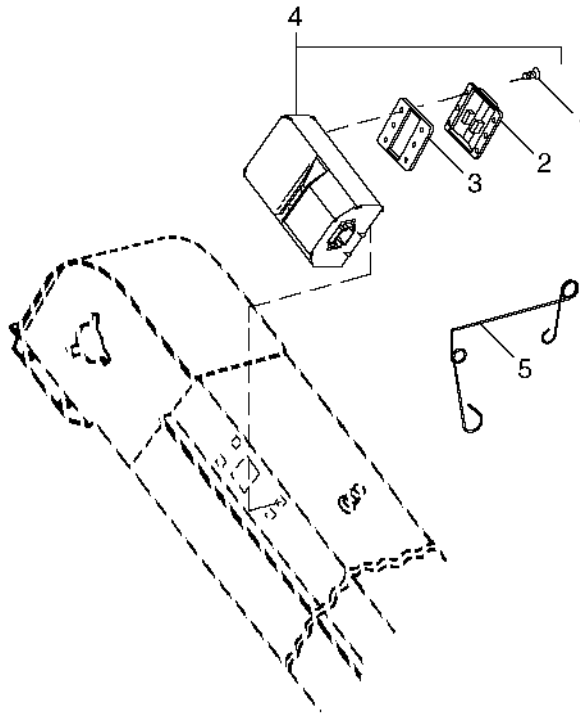
TAILINGS ELEVATOR HOUSING - CONTINUED

KEY	PART NO.	PART NAME	QTY	SERIAL NO.	0 H	REMARKS
					9	
					5	
					9 5	
					5 0	
					5 S	
					0 H	
1	14M7020	WING NUT	1		X X	M8
2	19M7784	SCREW	2		X X	M10 X 20
	14M7296	FLANGE NUT	2		X X	M10
3	H167941	PLATE	1		X X	L.H.
	H169652	PLATE	1		X X	R.H.
4	AH167030	LATCH	1		X X	
	H169865	PLUG	1		X X	
5	19M7796	SCREW	2		X X	M6 X 30
	14M7303	FLANGE NUT	2		X X	M6
6	H146536	SUPPORT	1		X X	
7	19M7868	SCREW	AR		X X	M8 X 30
	14M7298	FLANGE NUT	AR		X X	M8
8	H136054	HOUSING	2		X X	SOLID
	H136055	HOUSING	2		X X	PERFORATED
9	H171006	SUPPORT	1		X X	ELEVATOR
10	19M7785	SCREW	2		X X	M10 X 25
	14M7296	FLANGE NUT	2		X X	M10
11	19M7865	SCREW	2		X X	M8 X 16
	14M7298	FLANGE NUT	2		X X	M8
12	19M7785	SCREW	2		X X	M10 X 25
13	11M7081	COTTER PIN	1		X X	2.500 X 20 MM
14	RV810A	PIN	1		X X	
15	H101297	LEVER	1		X X	
16	H105519	U-BOLT	1		X X	
	24M7139	WASHER	2		X X	6.400 X 18 X 1.600 MM
	14M7397	LOCK NUT	2		X X	M6
17	AH130892	DOOR	1		X X	SOLID
	AH130893	DOOR	1		X X	PERFORATED
18	H76083	PIN	2		X X	
19	03M7184	BOLT	2		X X	M8 X 20
	14M7298	FLANGE NUT	2		X X	M8
20	H130661	BRACKET	1		X X	
21	AH130886	SHIELD	1		X X	METAL, (SUB AH166698)
	AH166698	SHIELD	1		X X	PLASTIC
22	H147846	DEFLECTOR	1		X X	
23	03M7183	BOLT	2		X X	M8 X 16
	14M7298	FLANGE NUT	2		X X	M8
24	19M7865	SCREW	AR		X X	M8 X 16
25	AH169233	KIT	1		X X	COMPLETE TAILINGS ELEVATOR HOUSING INCLUDES PARTS MARKED (A)
26	SOCKET	1		X X	
27	19M7596	CAP SCREW	1		X X	M16 X 160
28	H160715	SHIELD	1		X X	UPPER DOOR
29	H140248	NUT	1		X X	
30	H172116	SHIELD	1		X X	
31	19M7775	SCREW	1		X X	M6 X 16
32	14M7303	FLANGE NUT	1		X X	M6
33	H141549	CLAMP	1		X X	
34	A44990	LATCH	1		X X	
35	24M7239	WASHER	4		X X	10.700 X 21 X 2.500 MM
36	14M7296	FLANGE NUT	2		X X	M10
37	34M7027	SPRING PIN	1		X X	4 X 20 MM, FRENCH GRAIN ONLY
38	AH149543	CRANK	1		X X	
39	14M7276	NUT	6		X X	M16
40	AH130884	BRACKET	2		X X	
41	AH158310	TOGGLE SWITCH	1		X X	
42	H168019	COVER	2		X X	(A)
43	M80082	NUT	8		X X	(A)
44	14M7303	FLANGE NUT	8		X X	(A) M6
45	03M7221	BOLT	8		X X	(A) M6 X 16
46	H172528	HINGE	1		X X	USE WITH PLASTIC COVER

3J13

ELEVATORS

TAILING ELEVATOR MATERIAL SENSOR AND COVER
 HP9768 -UN-18MAY00



HP9768

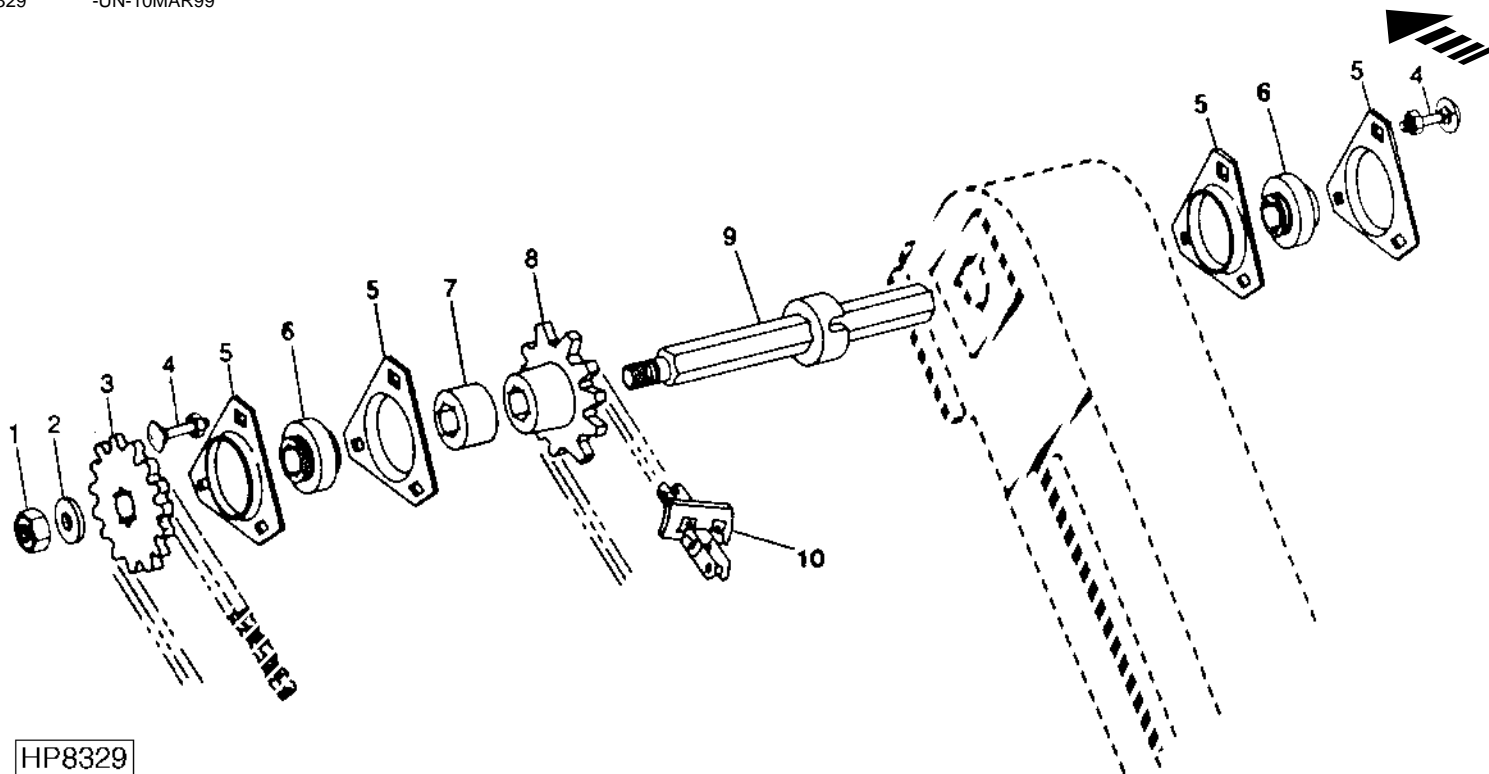
KEY	PART NO.	PART NAME	QTY	SERIAL NO.	REMARKS
1	M71770	SCREW	AR		
2	H167390	LENS	2		
3	H170344	GASKET	2		
4	AH158580	MODULE	1		MASTER (12 PIN CONNECTOR)
	AH158581	MODULE	1		SLAVE (8 PIN CONNECTOR)
5	H164896	SPRING	1		

9
5
9 5
5 0
5 S
0 H

3J14

TAILINGS ELEVATOR CONVEYOR CHAIN, SPROCKETS AND BEARINGS

HP8329 -UN-10MAR99



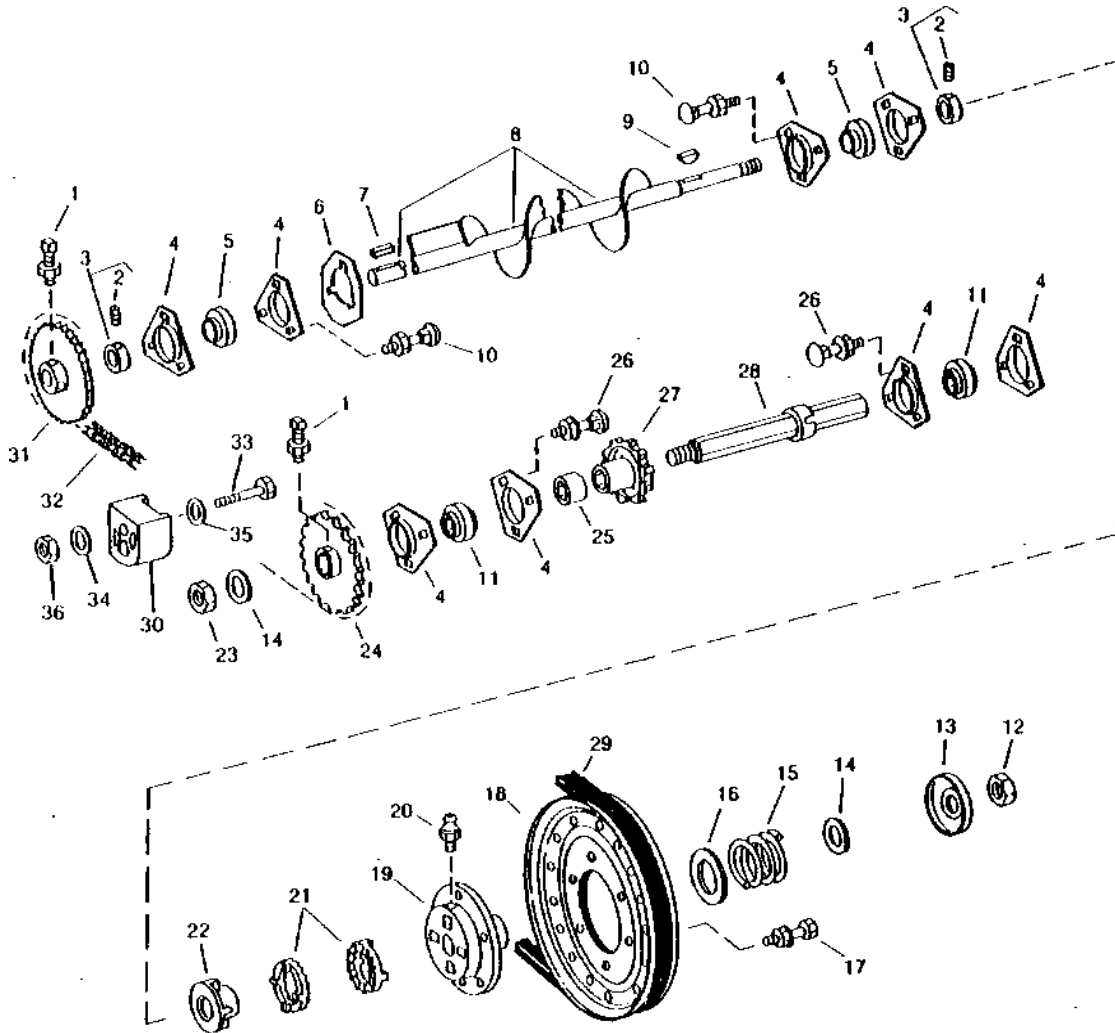
HP8329

KEY	PART NO.	PART NAME	QTY	SERIAL NO.	9 5 9 5 5 0 5 S 0 H	REMARKS
1	14M7277	NUT	1		X X	M20
2	24M7277	WASHER	1		X X	21 X 60 X 4 MM
3	AH130571	CHAIN SPROCKET	1		X X	30 TOOTH, DRIVE
4	03M7190	BOLT	AR		X X	M10 X 20
	14M7296	FLANGE NUT	AR		X X	M10
5	E10018	PRESSED FLANGED HOUSING	4		X X	
6	JD9313	BALL BEARING	2		X X	
7	H134606	SPACER	1		X X	
8	H134603	CHAIN SPROCKET	1		X X	8 TOOTH (CONVEYOR)
9	AH130570	SHAFT	1		X X	UPPER CONVEYOR
10	AH131074	LINK CHAIN	1		X X	(CA550 ROLLER CHAIN) (25 PADDLES)
	AH158635	CHAIN LINK	25		X X	
	AC11779	PIN	1		X X	
	AH137630	CHAIN LINK	1		X X	COUPLER
	AH137631	CHAIN LINK	1		X X	
	H135235	PADDLE	25		X X	RUBBER
	H86760	PADDLE	1		X X	STEEL CLEANING
.....		RIVET	50		X X	

3J15

ELEVATORS

LOWER TAILINGS AUGER, SHAFT AND TIGHTENER
HP5817 -UN-01JAN94



HP5817

3J16

ELEVATORS

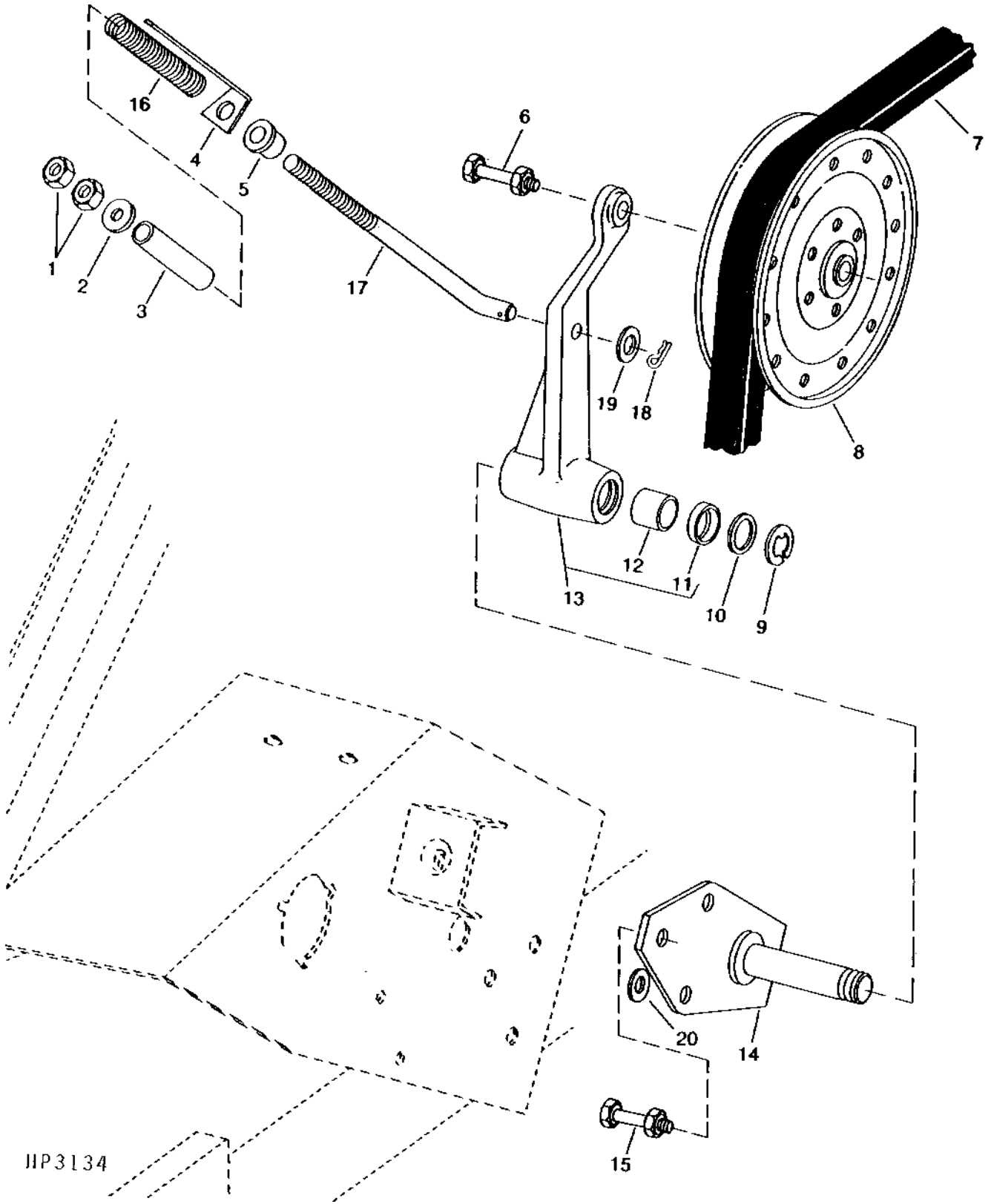
LOWER TAILINGS AUGER, SHAFT AND TIGHTENER - CONTINUED

KEY	PART NO.	PART NAME	QTY	SERIAL NO.	0	H	REMARKS
					9		
					5		
					9	5	
					5	0	
					5	S	
					0	H	
1	H138435	SET SCREW	AR		X	X	
	14M7274	NUT	AR		X	X	M10
2	22M7080	SET SCREW	2		X	X	M8 X 8
3	AZ10045	ECCENTRIC LOCKING COLLAR	2		X	X	
4	E10018	PRESSED FLANGED HOUSING	AR		X	X	
5	JD39103	BALL BEARING	2		X	X	
6	H132906	PLATE	1		X	X	
7	49M4111	SHAFT KEY	1		X	X	
8	AH146322	AUGER	1		X	X	(LOWER)
9	26H82	SHAFT KEY	1		X	X	1/4" X 7/8"
10	03M7191	BOLT	AR		X	X	M10 X 25
	14M7296	FLANGE NUT	AR		X	X	M10
11	JD9313	BALL BEARING	2		X	X	
12	14M7300	FLANGE NUT	1		X	X	M20
13	AH126677	CAP	1		X	X	
14	24M7051	WASHER	2		X	X	21 X 37 X 3 MM
15	J21022	SPRING	1		X	X	
16	24M7176	WASHER	1		X	X	56 X 72 X 3 MM
17	19M7867	SCREW	AR		X	X	M8 X 25
	14M7298	FLANGE NUT	AR		X	X	M8
18	AH126388	SHEAVE	1		X	X	
19	H97574	HUB	1		X	X	
20	JD7797	LUBRICATION FITTING	1		X	X	1/4" STRAIGHT
21	H128265	SLIP CLUTCH	2		X	X	
22	H85015	HUB	1		X	X	
23	A31870	LOCK NUT	1		X	X	M20
24	AH130572	CHAIN SPROCKET	1		X	X	18-TOOTH
25	H134605	SPACER	1		X	X	
26	03M7190	BOLT	AR		X	X	M10 X 20
	14M7296	FLANGE NUT	AR		X	X	M10
27	H134603	CHAIN SPROCKET	1		X	X	8-TOOTH
28	AH130570	SHAFT	1		X	X	LOWER CONVEYOR
29	N110085	BELT	1		X	X	
30	H136582	TIGHTENER	1		X	X	
31	AH121047	CHAIN SPROCKET	1		X	X	18-TOOTH
32	AH126239	ROLLER CHAIN	1		X	X	ROLLER, TYPE 50
33	03M7245	BOLT	1		X	X	M8 X 55
	14M7298	FLANGE NUT	1		X	X	M8
34	24M7207	WASHER	1		X	X	8.400 X 24 X 2 MM
35	H75716	LOCK WASHER	1		X	X	13.220 MM
36	14M7298	FLANGE NUT	1		X	X	M8

3J17

ELEVATORS

LOWER TAILINGS AUGER DRIVE TIGHTENER
HP3134 -UN-01JAN94



HP3134

3J18

ELEVATORS

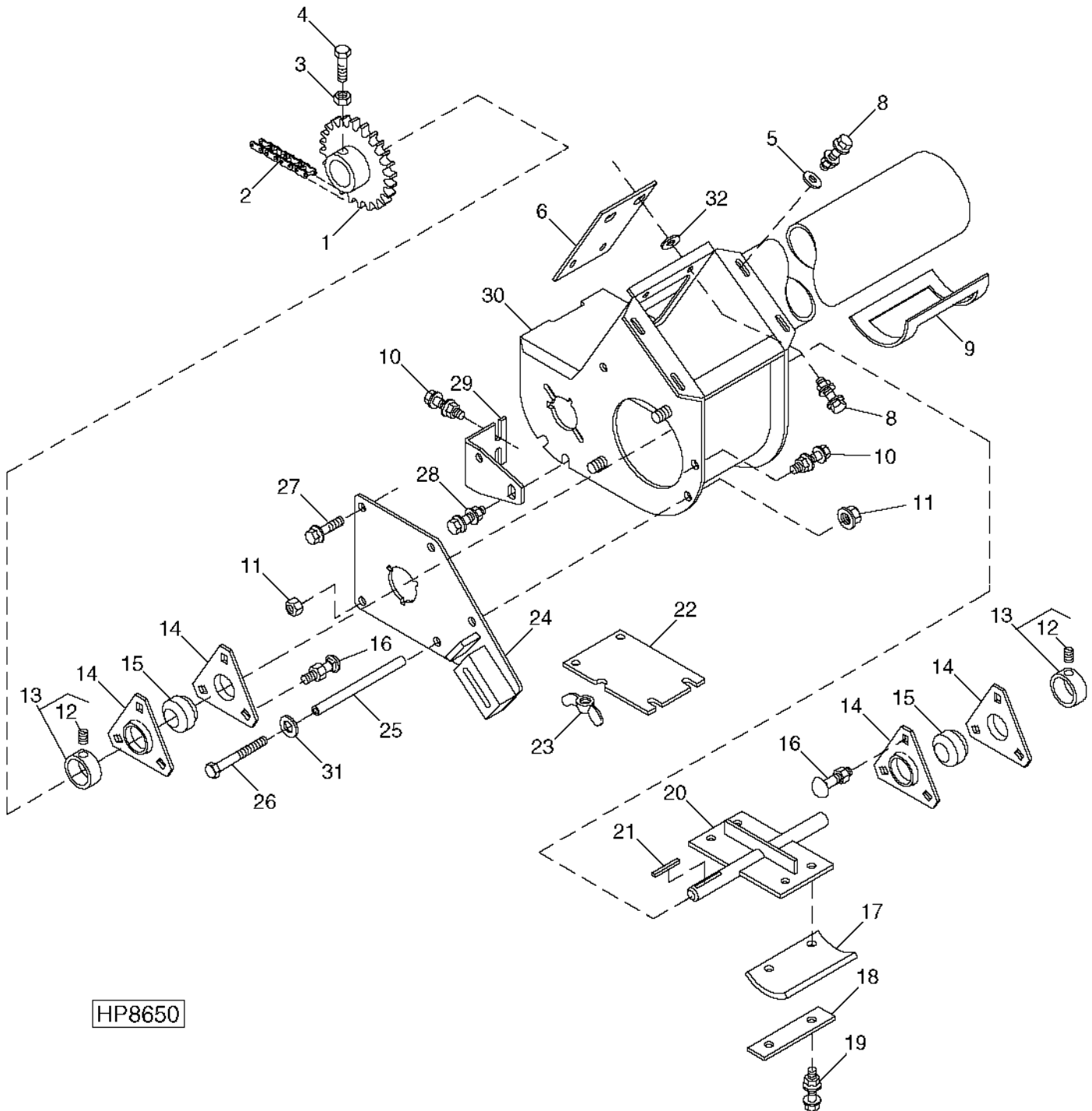
LOWER TAILINGS AUGER DRIVE TIGHTENER - CONTINUED

KEY	PART NO.	PART NAME	QTY	SERIAL NO.	0 H	REMARKS
					9	
					5	
					9 5	
					5 0	
					5 S	
					0 H	
1	14M7275	NUT	2		X X	M12
2	24M7180	WASHER	1		X X	13 X 37 X 3 MM
3	TY22326	BULK HOSE	AR		X X	
4	H127872	GAUGE	1		X X	
5	H129207	PIVOT	1		X X	
6	19M7824	SCREW	1		X X	M16 X 60
	14M7291	FLANGE NUT	1		X X	M16
7	N110085	BELT	1		X X	
8	AH85276	PULLEY	1		X X	
9	P46402	SNAP RING	1		X X	
10	24M7091	WASHER	1		X X	26 X 44 X 4 MM
11	AA5607R	SEAL	2		X X	
12	H99147	BUSHING	2		X X	(SUB H171061)
	H171061	BEARING	2		X X	
13	AH126865	ARM	1		X X	ELEVATOR DRIVE
14	AH156051	SPRING PIN	1		X X	
15	19M7785	SCREW	3		X X	M10 X 25
	14M7296	FLANGE NUT	3		X X	M10
16	H26552	SPRING	1		X X	
17	H118948	HOOK BOLT	1		X X	IDLER
18	11M7021	COTTER PIN	1		X X	4 X 25 MM
19	24M7047	WASHER	1		X X	13 X 24 X 2.500 MM
20	24M7178	WASHER	AR		X X	10.500 X 30 X 2.500 MM, (USE AS NEEDED IF REALIGNMENT IS NECESSARY)

3J19

ELEVATORS

UPPER TAILINGS AUGER HOUSING AND PADDLE ASSEMBLY HP8650 -UN-13JUL99



HP8650

3J20

ELEVATORS

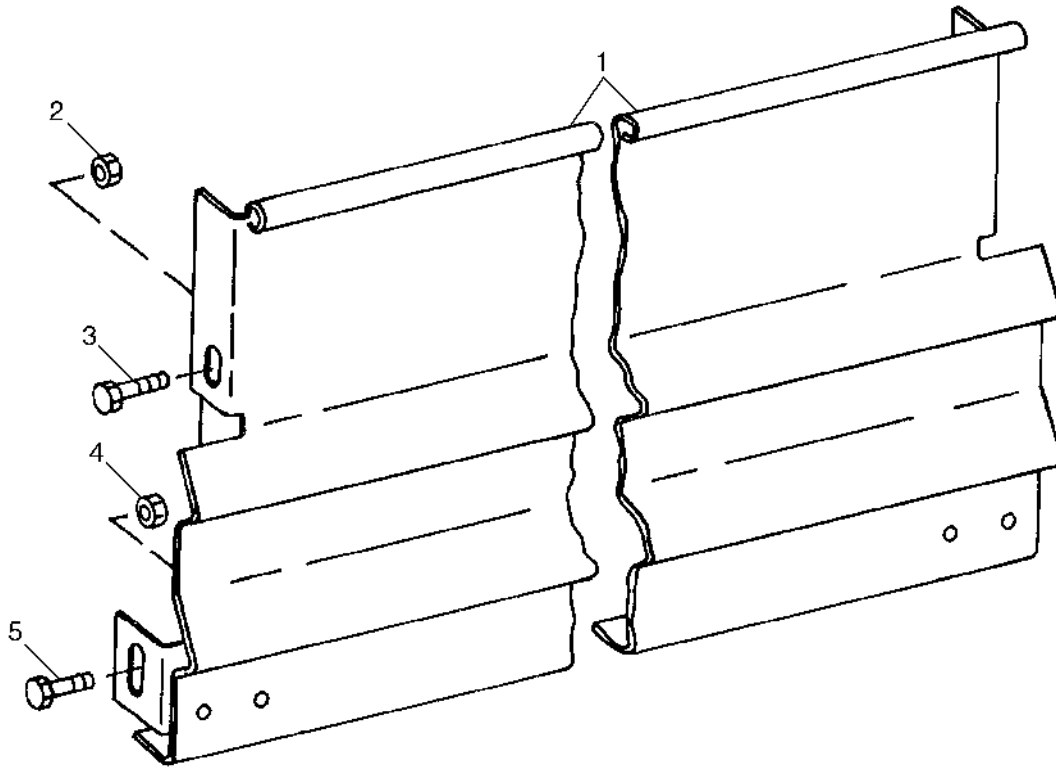
UPPER TAILINGS AUGER HOUSING AND PADDLE ASSEMBLY - CONTINUED

KEY	PART NO.	PART NAME	QTY	SERIAL NO.	0 H	REMARKS
					9	
					5	
					9	
					5	
					0	
					5	
					S	
					0	
					H	
1	AH126008	CHAIN SPROCKET	1		X X	
2	AH126007	ROLLER CHAIN	1		X X	
3	14M7274	NUT	2		X X	M10
4	H138435	SET SCREW	2		X X	
5	24M7207	WASHER	4		X X	8.400 X 24 X 2 MM
6	H170823	COVER	1		X X	
7	19M7775	SCREW	1		X X	M6 X 16
8	19M7866	SCREW	8		X X	M8 X 20
	14M7298	FLANGE NUT	8		X X	M8
9	H143735	SEAL	1		X X	
10	19M7866	SCREW	3		X X	M8 X 20
	14M7298	FLANGE NUT	3		X X	M8
11	14M7298	FLANGE NUT	3		X X	M8
12	22M7080	SET SCREW	2		X X	M8 X 8
13	AZ10045	ECCENTRIC LOCKING COLLAR	2		X X	
14	E10018	PRESSED FLANGED HOUSING	AR		X X	
15	JD39103	BALL BEARING	2		X X	
16	03M7191	BOLT	AR		X X	M10 X 25
	14M7296	FLANGE NUT	AR		X X	M10
17	H131639	PADDLE	4		X X	RUBBER
18	H131638	STRAP	4		X X	
19	19M7868	SCREW	AR		X X	M8 X 30
	14M7396	LOCK NUT	AR		X X	M8
20	AH128663	PADDLE	1		X X	
21	SHAFT KEY	AR		X X	8 X 7 X 40 MM (IN AH141142 KEY STOCK KIT) (CUT FROM H150269)
22	H135309	COVER	1		X X	CLEAN OUT
23	14M7020	WING NUT	AR		X X	M8
24	AH128664	SUPPORT	1		X X	IDLER
	H148633	END PLATE	1		X X	IDLER
25	H140467	BUSHING	1		X X	
26	19M8404	CAP SCREW	1		X X	M8 X 130
27	19M7864	SCREW	1		X X	M8 X 12
28	19M7862	SCREW	2		X X	M6 X 20
	14M7303	FLANGE NUT	2		X X	M6
29	H147967	SUPPORT	1		X X	
30	AH149180	TUBE	1		X X	
31	24M7055	WASHER	1		X X	8.400 X 16 X 1.600 MM
32	M84309	NUT	4		X X	

4B4

RESIDUE DISPOSAL

CHOPPER DOOR
HP8351 -UN-21APR99



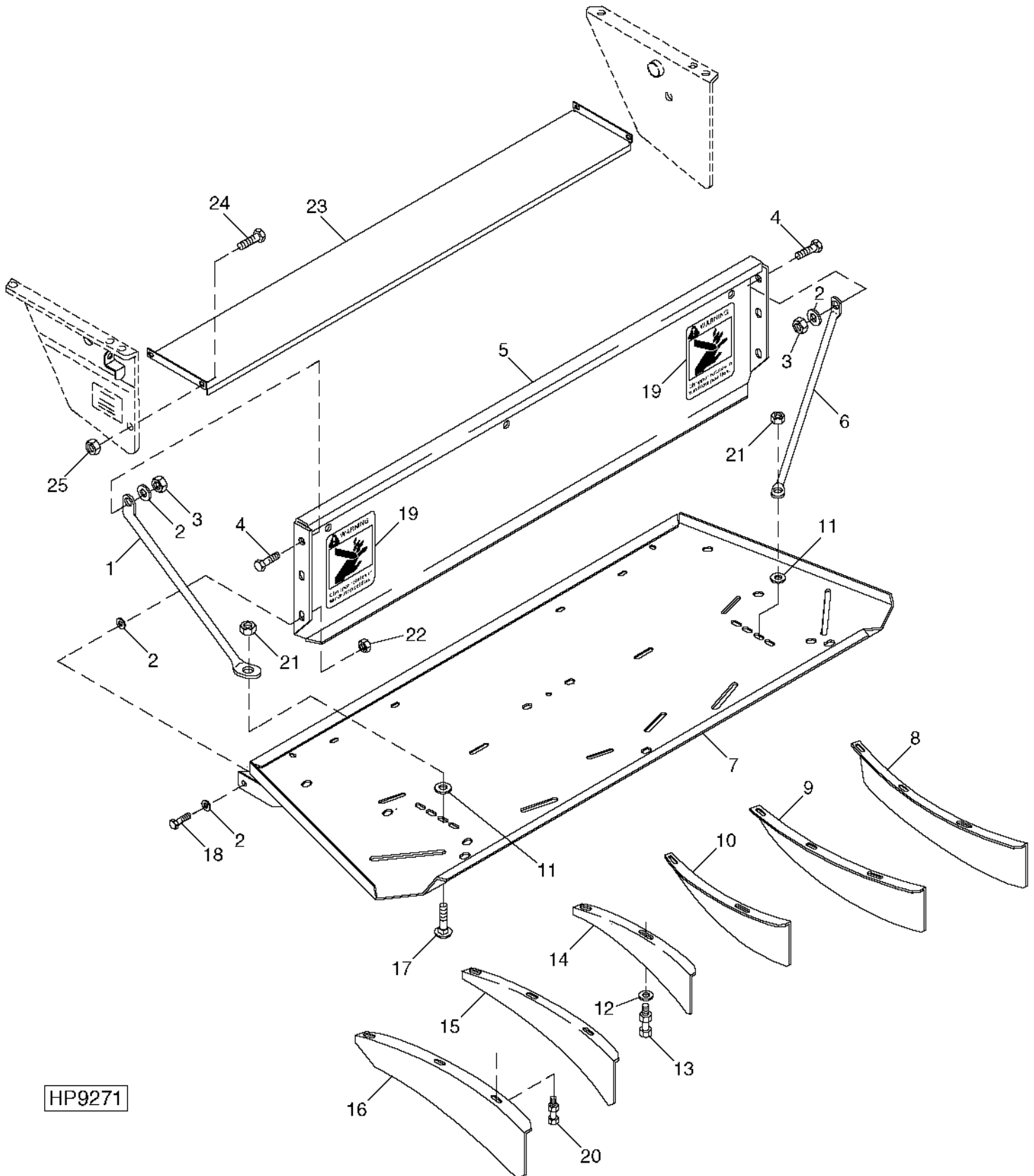
9
5
9 5
5 0
5 S
0 H

KEY	PART NO.	PART NAME	QTY	SERIAL NO.	REMARKS
1	AH142778	EXTENSION	1	X X	FRONT
2	14M7296	FLANGE NUT	2	X X	M10
3	19M7784	SCREW	2	X X	M10 X 20
4	14M7298	FLANGE NUT	1	X X	M8
5	19M7866	SCREW	1	X X	M8 X 20

4B5

RESIDUE DISPOSAL

TAIL BOARD SUPPORTS AND VANES
HP9271 -UN-16NOV99



HP9271

4B6

RESIDUE DISPOSAL

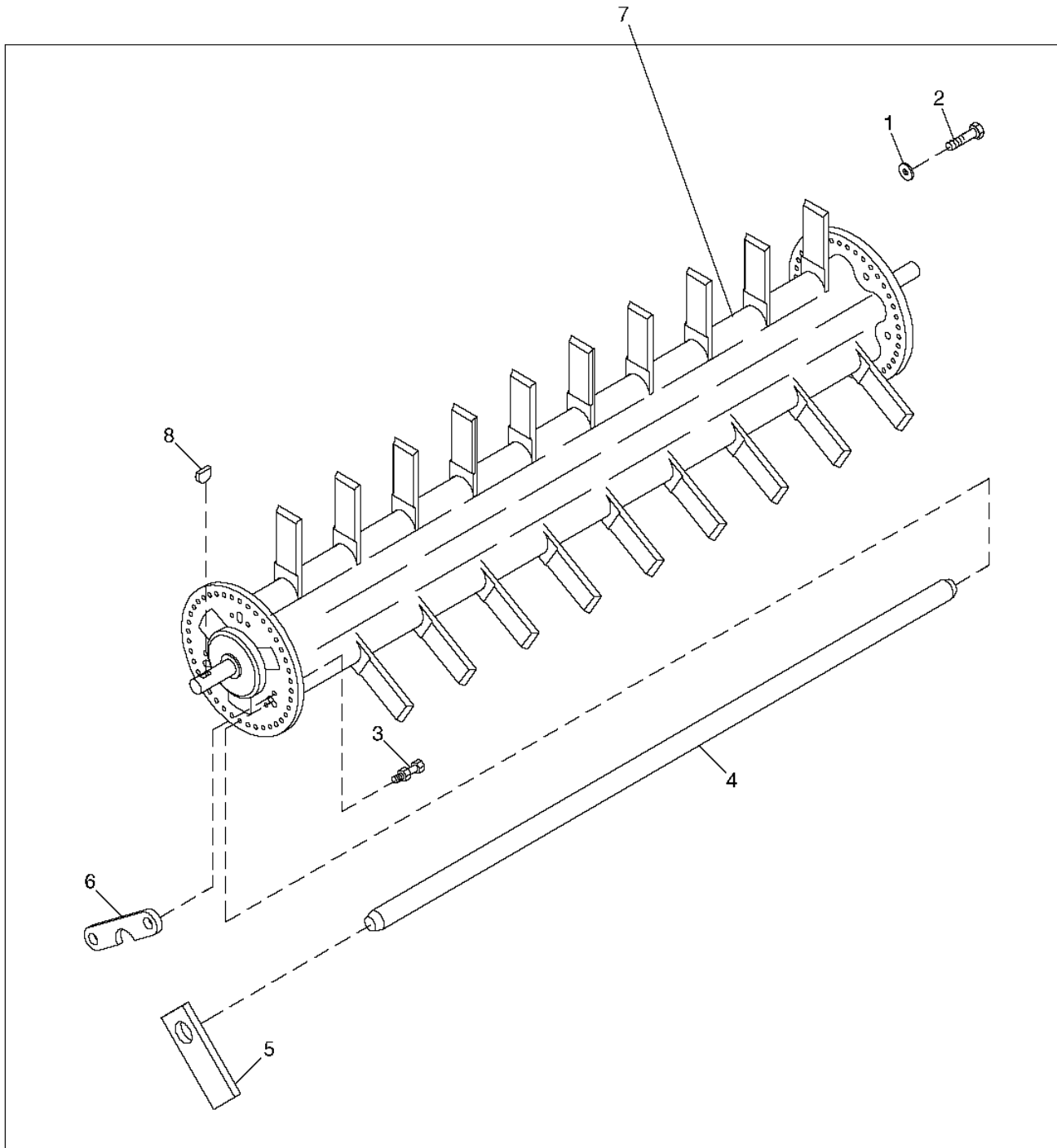
TAIL BOARD SUPPORTS AND VANES - CONTINUED

KEY	PART NO.	PART NAME	QTY	SERIAL NO.	0 H	REMARKS
					9	
					5	
					9	
					5	
					0	
					5	
					S	
					0	
					H	
1	H126335	PIPE	1		X X	REGULAR
	H151182	PIPE	1		X X	FOR WIDE SPREAD STRAW CHOPPER
2	H126334	LOCK WASHER	6		X X	
3	14M7400	LOCK NUT	8		X X	M10
4	19M7835	SCREW	6		X X	M10 X 35
5	AH139791	SHEET	1		X X	REGULAR
	AH144478	SHEET	1		X X	FOR WIDE SPREAD STRAW CHOPPER AND FINE CUT
6	H126336	PIPE	1		X X	
	H151181	PIPE	1		X X	FOR WIDE SPREAD STRAW CHOPPER
7	AH137792	SUPPORT	1		X X	
8	H130949	VANE	1		X X	REGULAR
	H150401	VANE	1		X X	FOR WIDE SPREAD STRAW CHOPPER AND FINE CUT
9	H114535	VANE	1		X X	REGULAR
	H150401	VANE	1		X X	FOR WIDE SPREAD STRAW CHOPPER AND FINE CUT
10	H114537	VANE	1		X X	REGULAR
	H150403	VANE	1		X X	FOR WIDE SPREAD STRAW CHOPPER AND FINE CUT
11	H128083	WASHER	4		X X	
12	24M7207	WASHER	12		X X	8.400 X 24 X 2 MM
13	03M7183	BOLT	16		X X	M8 X 16
	E64256	LOCK NUT	16		X X	M8
14	H114538	VANE	1		X X	REGULAR
	H150404	DEFLECTOR	1		X X	FOR WIDE SPREAD STRAW CHOPPER AND FINE CUT
15	H114536	VANE	1		X X	REGULAR
	H150402	DEFLECTOR	1		X X	FOR WIDE SPREAD STRAW CHOPPER AND FINE CUT
16	H130948	VANE	1		X X	REGULAR
	H150402	DEFLECTOR	1		X X	FOR WIDE SPREAD STRAW CHOPPER AND FINE CUT
17	03M7191	BOLT	2		X X	M10 X 25
18	19M7167	CAP SCREW	2		X X	M10 X 25
19	H149102	DECAL	2		X X	"WARNING" CHOPPER POSITION WIDE SPREAD CHOPPER - LABEL LOCATED ON REAR OF COMBINE HOOD
20	03M7184	BOLT	4		X X	M8 X 20, (USE WITH H128083)
	14M7396	LOCK NUT	4		X X	M8
21	14M7296	FLANGE NUT	2		X X	M10
22	14M7400	LOCK NUT	1		X X	M10
23	H157109	SHEET	1		X X	REGULAR
	H150408	SHEET	1		X X	FOR WIDE SPREAD STRAW CHOPPER AND FINE CUT
24	19M7866	SCREW	4		X X	M8 X 20
25	14M7298	FLANGE NUT	4		X X	M8
..	BH80517	COMPLETE GOODS/SHIP. BUNDLE	1		X X	STRAW CHOPPER W/DRIVES

4B7

RESIDUE DISPOSAL

TRI-ROD CHOPPER
HP8629 -UN-14JUN99



HP8629

4B8

RESIDUE DISPOSAL

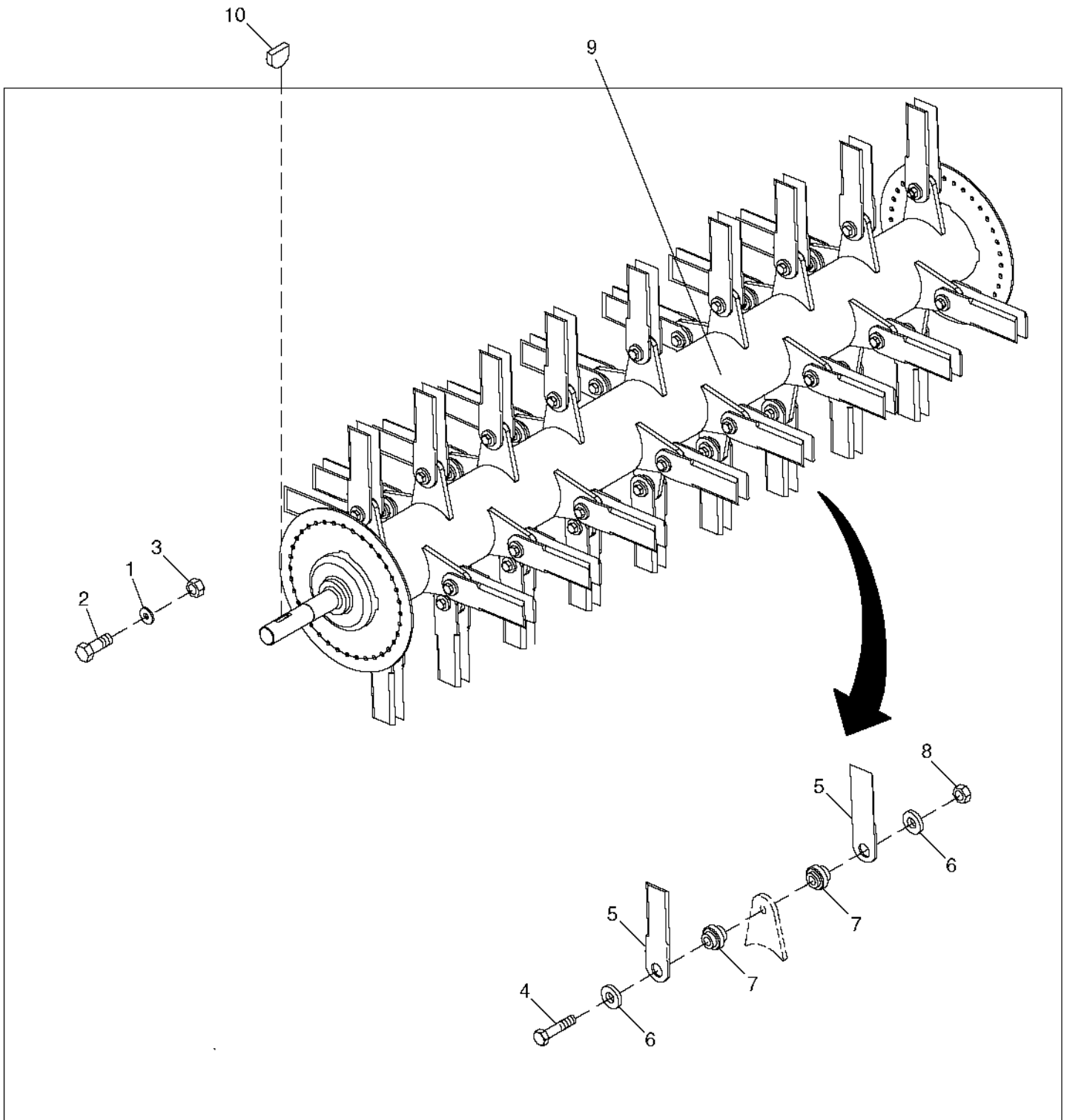
TRI-ROD CHOPPER - CONTINUED

KEY	PART NO.	PART NAME	QTY	SERIAL NO.	9 5 9 5 5 0 5 S 0 H	REMARKS
1	H128080	WASHER	AR		X X	(USED FOR BALANCING SHAFT)
	H128081	WASHER	AR		X X	
	H128082	WASHER	AR		X X	
	H128083	WASHER	AR		X X	
2	H147302	BOLT	AR		X X	
	H128357	CAP SCREW	AR		X X	
	H128358	CAP SCREW	AR		X X	
	H128359	CAP SCREW	AR		X X	
3	H128357	CAP SCREW	AR		X X	
	H143332	LOCK NUT	13		X X	
4	H139600	PIN	3		X X	
5	AH124635	BLADE	6		X X	SET OF 6 BLADES
	AH128359	BLADE	1		X X	SET OF 36 BLADES
6	H146414	RETAINER	3		X X	
7	AH165768	ROTOR	1		X X	(SUB AH168947)
	AH168947	ROTOR	1		X X	
8	26H103	SHAFT KEY	1		X X	

4B9

RESIDUE DISPOSAL

STRAIGHT BLADE, FINE CUT ROTOR CHOPPER
HP8375 -UN-14JUN99



HP8375

4B10

RESIDUE DISPOSAL

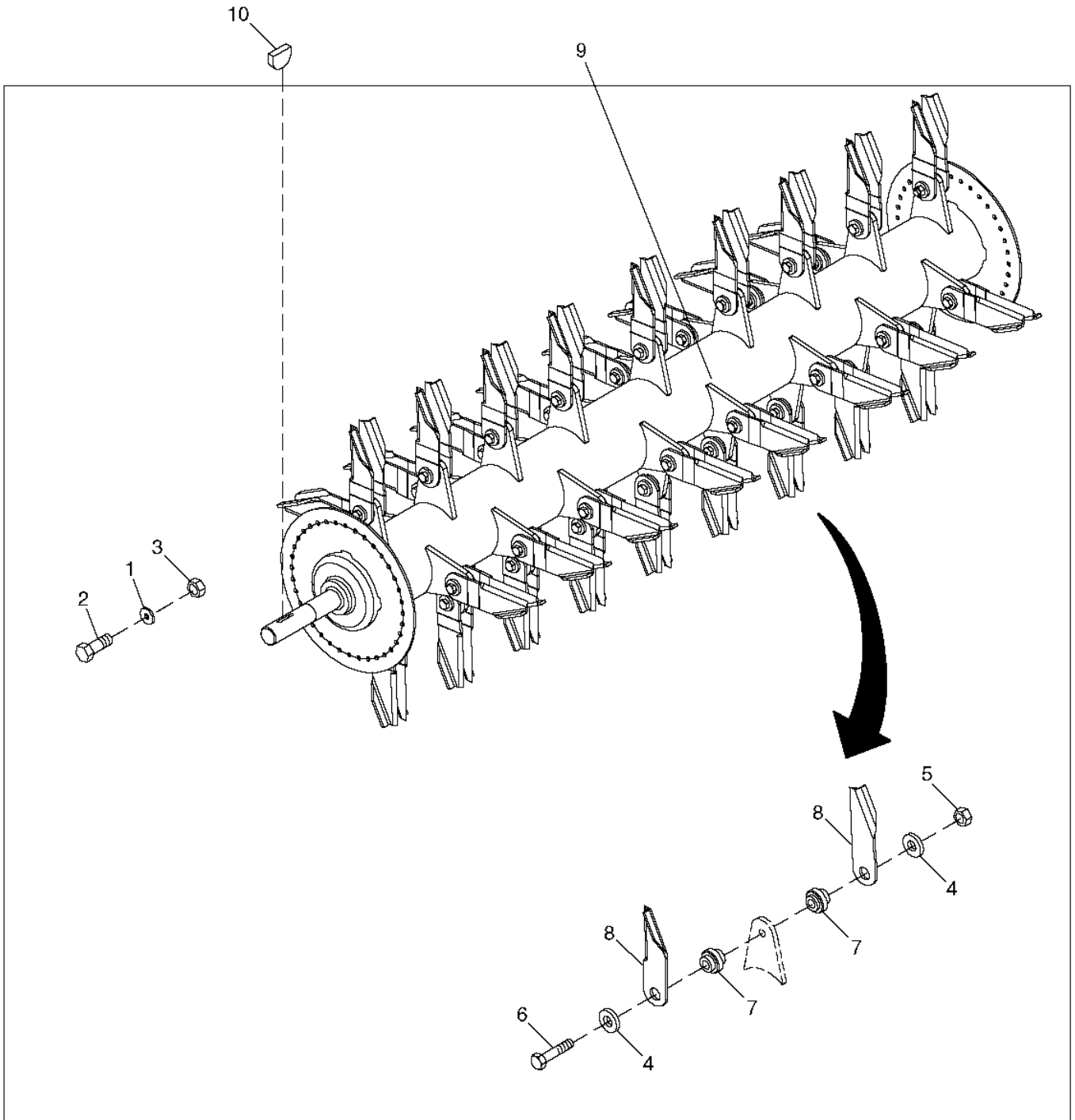
STRAIGHT BLADE, FINE CUT ROTOR CHOPPER - CONTINUED

KEY	PART NO.	PART NAME	QTY	SERIAL NO.	9 5 9 5 5 0 5 S 0 H	REMARKS
1	H128080	WASHER	AR		X X	
	H128081	WASHER	AR		X X	
	H128082	WASHER	AR		X X	
2	H128083	WASHER	AR		X X	
	H147304	WASHER	AR		X X	
	H147302	BOLT	AR		X X	
	H128357	CAP SCREW	AR		X X	
	H128358	CAP SCREW	AR		X X	
	H128359	CAP SCREW	AR		X X	
3	H143332	LOCK NUT	AR		X X	
4	19M7935	CAP SCREW	30		X X	M10 X 55
5	H156098	BLADE	60		X X	
6	H156101	WASHER	60		X X	
7	H156100	BUSHING	60		X X	
8	A51212	LOCK NUT	30		X X	M10
9	AH151537	ROTOR	1		X X	
10	26H103	SHAFT KEY	1		X X	

4B11

RESIDUE DISPOSAL

PADDLED BLADE, FINE CUT ROTOR CHOPPER
HP8376 -UN-14JUN99



HP8376

4B12

RESIDUE DISPOSAL

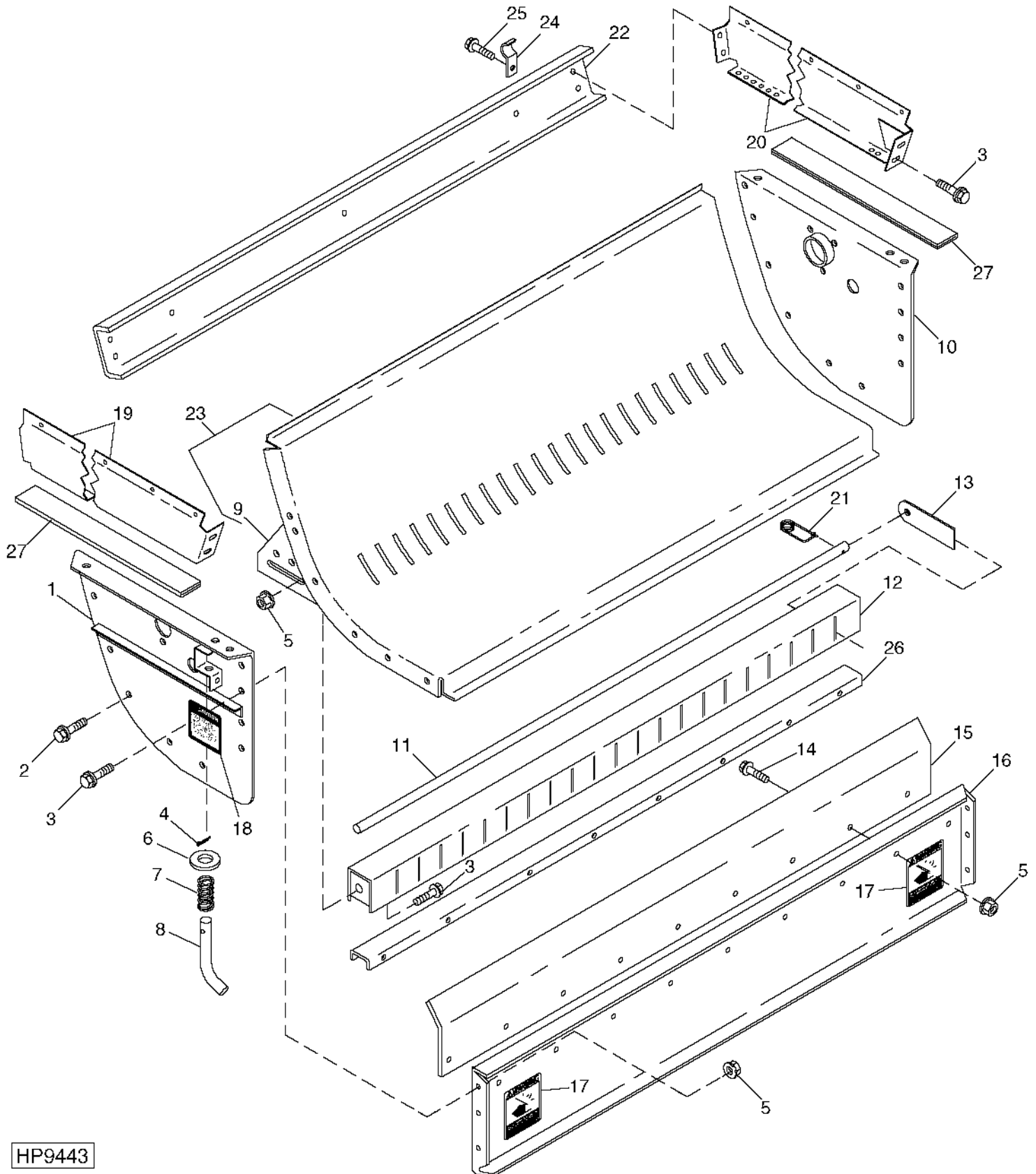
PADDLED BLADE, FINE CUT ROTOR CHOPPER - CONTINUED

KEY	PART NO.	PART NAME	QTY	SERIAL NO.	9 5 9 5 5 0 5 S 0 H	REMARKS
1	H128080	WASHER	AR		X X	
	H128081	WASHER	AR		X X	
	H128082	WASHER	AR		X X	
2	H128083	WASHER	AR		X X	
	H147304	WASHER	AR		X X	
	H147302	BOLT	AR		X X	
	H128357	CAP SCREW	AR		X X	
	H128358	CAP SCREW	AR		X X	
	H128359	CAP SCREW	AR		X X	
3	H143332	LOCK NUT	AR		X X	
4	H156101	WASHER	60		X X	
5	A51212	LOCK NUT	30		X X	M10
6	19M8499	CAP SCREW	30		X X	M10 X 60
7	H167127	BUSHING	60		X X	
8	AH160606	BLADE	15		X X	REPAIR KIT (SET OF 4)
9	AH160426	ROTOR	1		X X	
10	26H103	SHAFT KEY	1		X X	

4B13

RESIDUE DISPOSAL

CHOPPER HOUSING AND KNIFEBANK
HP9443 -UN-17DEC99



HP9443

4B14

RESIDUE DISPOSAL

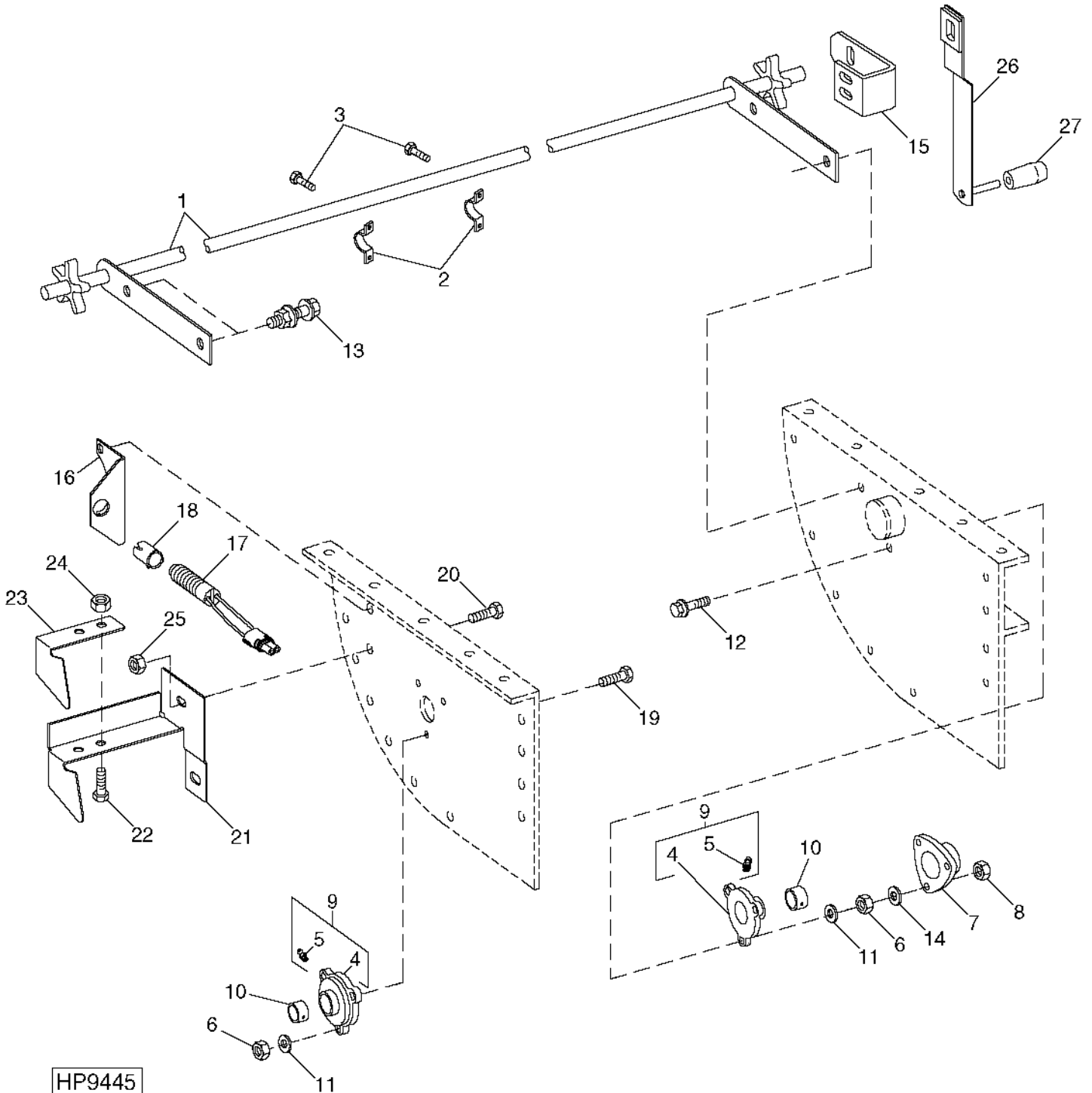
CHOPPER HOUSING AND KNIFEBANK - CONTINUED

KEY	PART NO.	PART NAME	QTY	SERIAL NO.	0 H	REMARKS
					9	
					5	
					9	
					5	
					0	
					5	
					S	
					H	
1	AH138156	SHEET	1		X X	(SUB AH165937) L.H.
	AH165937	SHEET	1		X X	L.H. (CHOP TO BALE)
2	19M7866	SCREW	AR		X X	M8 X 20
3	19M7785	SCREW	4		X X	M10 X 25
4	11M7059	COTTER PIN	2		X X	3.200 X 20 MM
5	14M7298	FLANGE NUT	AR		X X	M8
6	24H1341	WASHER	2		X X	17/32" X 15/16" X 0.060"
7	B28970	SPRING	2		X X	
8	H136179	PIN	2		X X	
9	H149026	SUPPORT	1		X X	R.H.
	H149027	SUPPORT	1		X X	L.H.
10	AH138157	SHEET	1		X X	(SUB AH165936) R.H.
	AH165936	SHEET	1		X X	R.H. (CHOP TO BALE)
11	H172439	PIN	1		X X	
12	AH140129	CHANNEL	1		X X	REGULAR CHOPPER
	AH158821	CHANNEL	1		X X	FINE CUT CHOPPER
13	H142141	KNIFE	35		X X	
14	19M7866	SCREW	AR		X X	M8 X 20
15	H146308	SHIELD	1		X X	
16	AH139791	SHEET	1		X X	REGULAR
	AH144478	SHEET	1		X X	WIDE SPREAD AND FINE CUT
17	H149102	DECAL	1		X X	"WARNING" CHOPPER POSITION
18	H171093	LABEL	2		X X	
	H145857	LABEL	2		X	
19	AH139680	SUPPORT	1		X X	L.H.
20	AH139679	SUPPORT	1		X X	R.H.
21	H114001	QUICK LOCK PIN	1		X X	
22	H145778	SUPPORT	1		X X	
23	AH143048	SHEET	1		X X	
24	H157103	CLIP	7		X X	FINE CUT ONLY
25	19M7867	SCREW	14		X X	M8 X 25
26	H157042	SUPPORT	1		X X	FINE CUT CHOPPER
27	H164519	STRIP	2		X X	CHOP TO BALE
..	BH81401	COMPLETE GOODS/SHIP. BUNDLE	1		X X	FINE CUT CHOPPER CONVERSION

4B15

RESIDUE DISPOSAL

CHOPPER TRANSPORT SPROCKETS
HP9445 -UN-17DEC99



HP9445

4B16

RESIDUE DISPOSAL

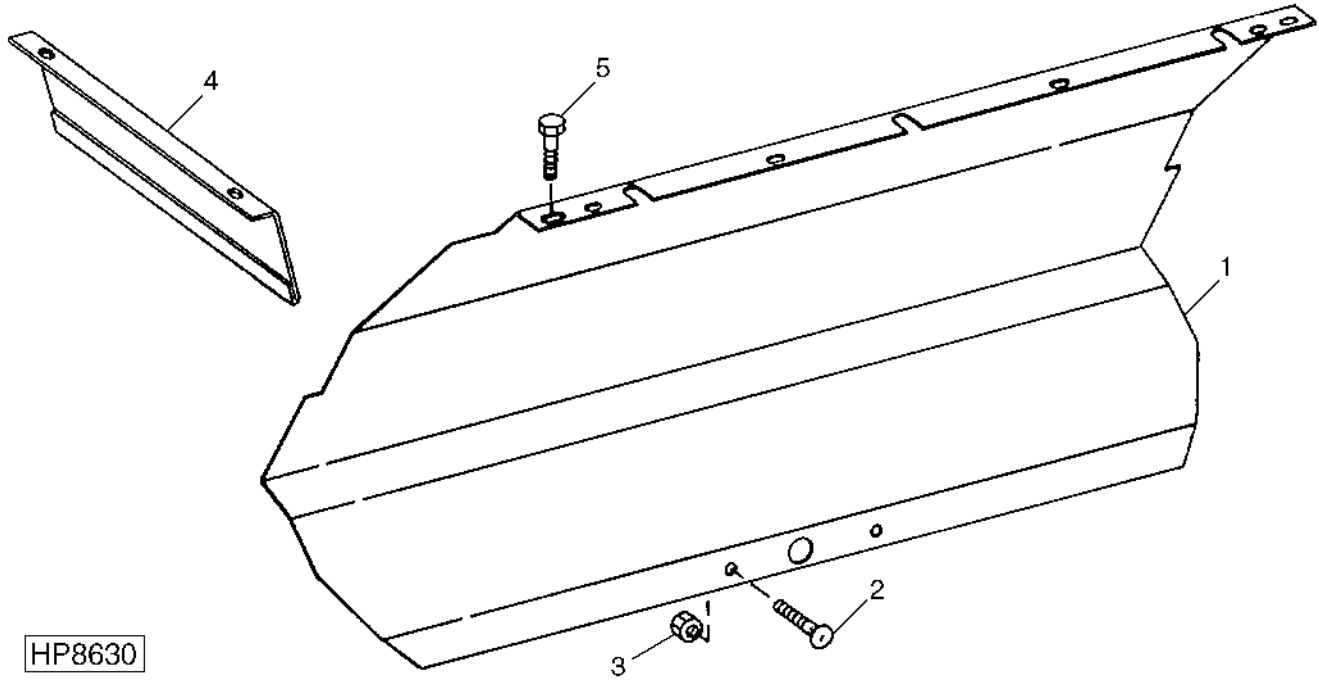
CHOPPER TRANSPORT SPROCKETS - CONTINUED

KEY	PART NO.	PART NAME	QTY	SERIAL NO.	0	H	REMARKS
					9		
					5		
					9	5	
					5	0	
					5	S	
					0	H	
1	AH135837	DRIVE SPROCKET	1		X	X	
2	H84990	CLAMP	2		X	X	
3	03M7184	BOLT	2		X	X	M8 X 20
4	JD10387	BALL BEARING	2		X	X	
5	JD7844	LUBRICATION FITTING	2		X	X	
6	14M7517	LOCK NUT	3		X	X	M10
7	H145319	COVER	1		X	X	
8	14M7274	NUT	3		X	X	M10
	A51212	LOCK NUT	6		X	X	(USE WITH 19M7805 AND 19M7835) WIDE FINE CHOPPER
9	AH139260	BEARING	2		X	X	
10	JD8576	ECCENTRIC LOCKING COLLAR	2		X	X	
11	24M7239	WASHER	4		X	X	10.700 X 21 X 2.500 MM, (3-R.H., 1-L.H.)
12	19M7805	SCREW	3		X	X	M10 X 45
13	19M7867	SCREW	4		X	X	M8 X 25
	14M7298	FLANGE NUT	4		X	X	M8
14	24M7028	WASHER	4		X	X	10.500 X 20 X 2 MM
	24M7239	WASHER	3		X	X	10.700 X 21 X 2.500 MM, WIDE FINE CHOPPER
15	H141388	SHIELD	1		X	X	
16	H165243	BRACKET	1		X	X	
17	AH116104	SENSOR	1		X	X	
18	H160880	CLIP	1		X	X	
19	19M7835	SCREW	3		X	X	M10 X 35
20	19M7785	SCREW	1		X	X	M10 X 25
21	H172749	BRACKET	1		X	X	(REGULAR CHOPPER)
22	19M7865	SCREW	2		X	X	M8 X 16
23	H172793	BRACKET	1		X	X	(FINE CUT)
24	14M7298	FLANGE NUT	2		X	X	M8
25	14M7296	FLANGE NUT	1		X	X	M10
26	AH159356	CRANK	1		X	X	CHOP TO BALE
27	M71077	KNOB	1		X	X	CHOP TO BALE

4B17

RESIDUE DISPOSAL

CORN DEFLECTOR (OPTIONAL)
HP8630 -UN-14JUN99



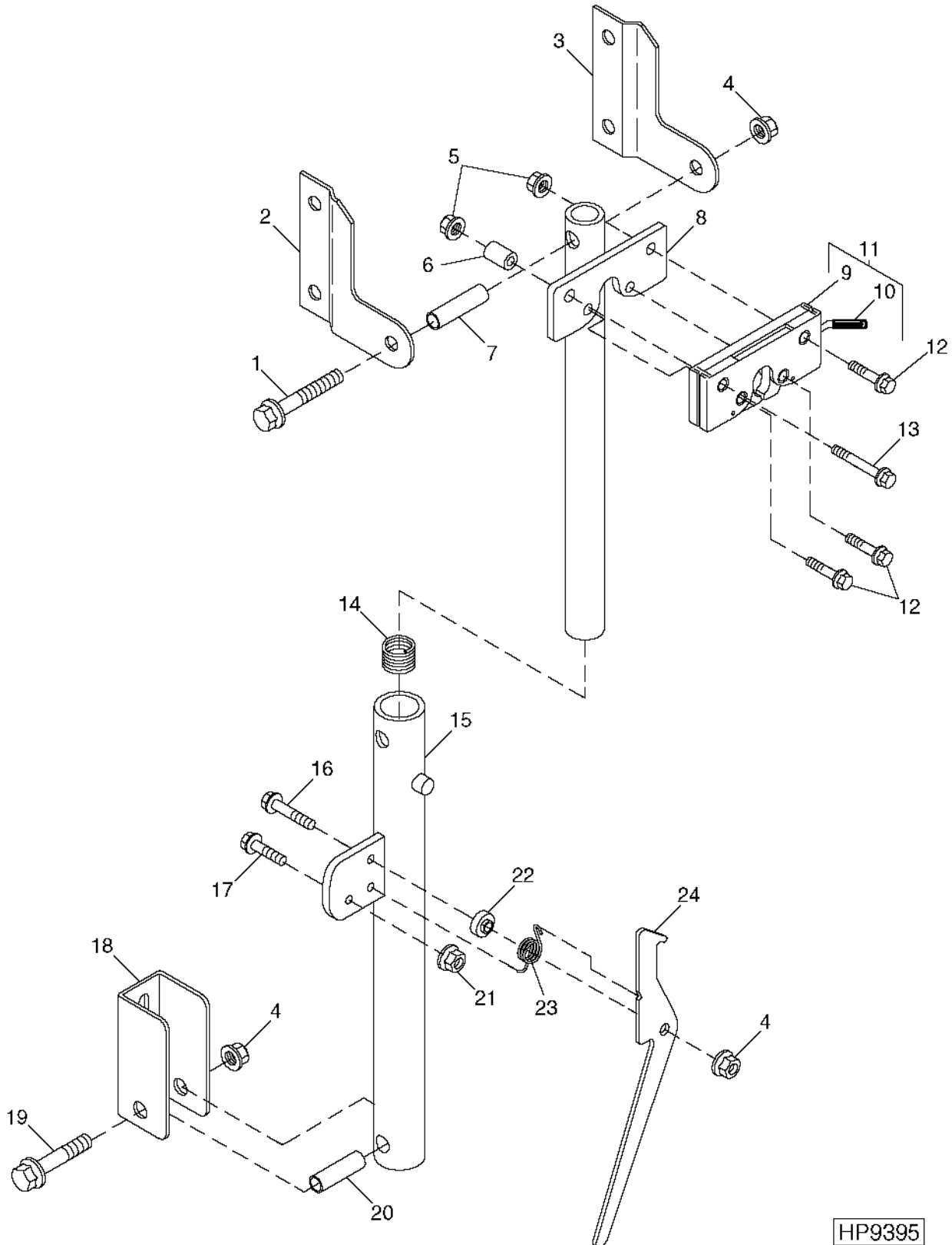
HP8630

KEY	PART NO.	PART NAME	QTY	SERIAL NO.	9 5 9 5 5 0 5 S 0 H	REMARKS
1	H141087	DEFLECTOR	1		X X	
2	03M7183	BOLT	2		X X	M8 X 16
3	14M7298	FLANGE NUT	2		X X	M8
4	H134889	DEFLECTOR	2		X X	
5	37M7058	SCREW	6		X X	M8 X 20

MEMORANDA

4B18

TAILBOARD ARMS - CHOP-TO-BALE
HP9395 -UN-10DEC99



HP9395

4B19

RESIDUE DISPOSAL

TAILBOARD ARMS - CHOP-TO-BALE - CONTINUED

KEY	PART NO.	PART NAME	QTY	SERIAL NO.	9	REMARKS
					5	
					9	
					5	
					9	
					5	
					0	
					5	
					S	
					0	
					H	
1	19M8319	SCREW	2		X X	M8 X 50
2	H167426	BRACKET	2		X X	
3	H167425	BRACKET	2		X X	
4	14M7298	FLANGE NUT	5		X X	M8
5	14M7303	FLANGE NUT	4		X X	M6
6	L59635	BUSHING	1		X X	R.H. ONLY
7	M90756	BUSHING	2		X X	
8	AH166172	TUBE	2		X X	
9	AH167030	LATCH	2		X X	
10	H169865	CAP	2		X X	
11	AH167031	LATCH	2		X X	
12	19M7796	SCREW	3		X X	M6 X 30
13	19M8321	SCREW	1		X X	M6 X 45, R.H.
	19M7796	SCREW	1		X X	M6 X 30, L.H.
14	U44909	SPRING	2		X X	
15	AH166167	TUBE	1		X X	R.H.
	AH166711	TUBE	1		X X	L.H.
16	19M7867	SCREW	1		X X	M8 X 25, R.H. ONLY
17	19M7862	SCREW	1		X X	M6 X 20, R.H. ONLY
18	AH168400	SUPPORT	2		X X	(SUB FOR H172025)
19	19M8319	SCREW	2		X X	M8 X 50
20	E46013	BUSHING	2		X X	
21	14M7303	FLANGE NUT	1		X X	M6, R.H. ONLY
22	H170738	SPACER	1		X X	R.H. ONLY
23	M82701	TORSION SPRING	1		X X	R.H. ONLY
24	H172110	LEVER	1		X X	R.H. ONLY
..	BH81517	COMPLETE GOODS/SHIP. BUNDLE	1		X X	CHOP-TO-BALE

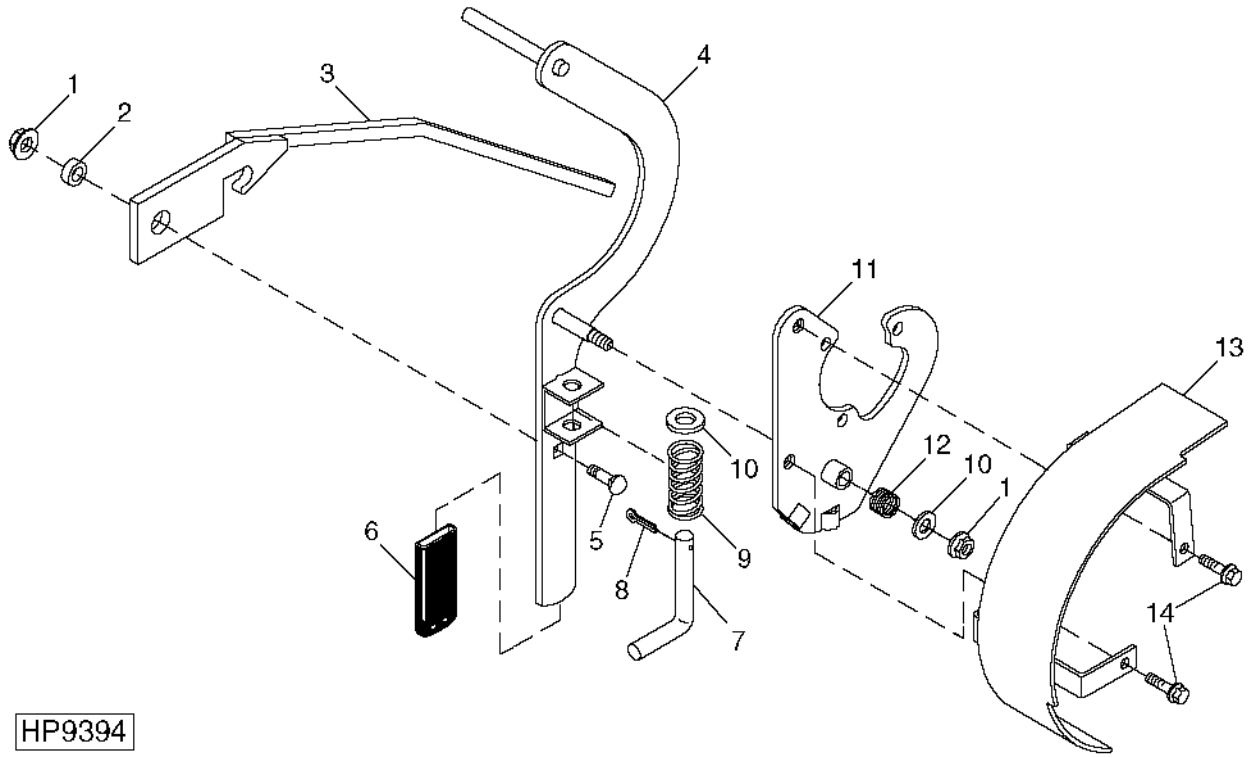
NOTE: QUANTITIES ARE FOR BOTH SIDES. R.H. SIDE SHOWN

4B20

RESIDUE DISPOSAL

DECLUTCHING LEVER - CHOP-TO-BALE

HP9394 -UN-17DEC99



HP9394

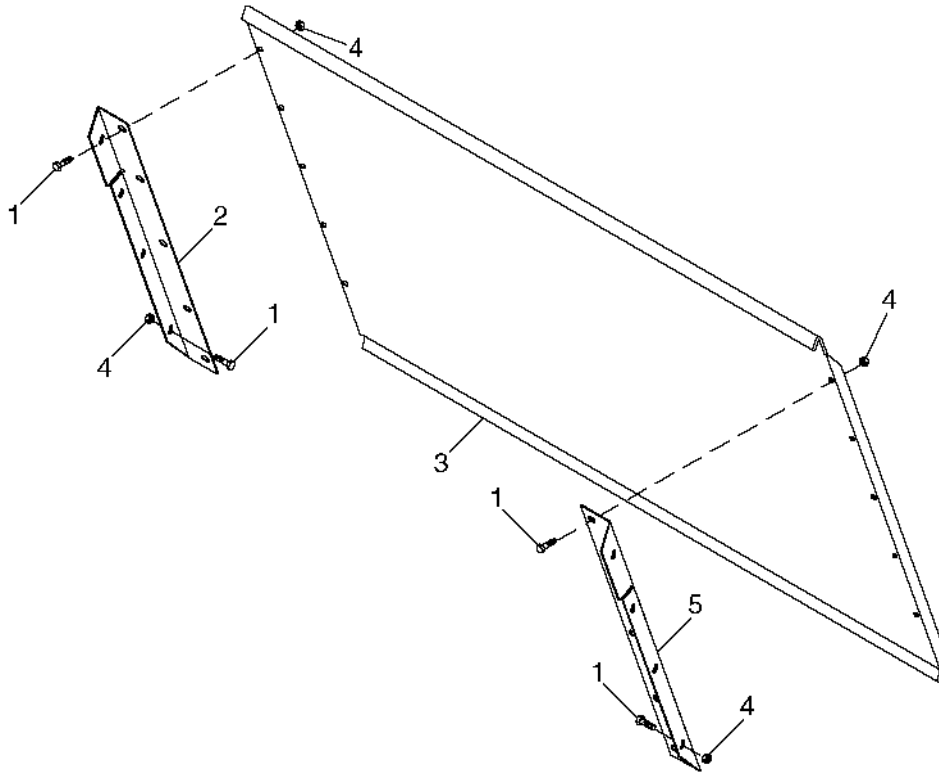
KEY	PART NO.	PART NAME	QTY	SERIAL NO.	REMARKS
1	14M7296	FLANGE NUT	2		
2	N15254	WASHER	1		
3	AH162060	LATCH	1		
4	AH161431	ARM	1		
5	03M7192	BOLT	1		M10 X 30
6	W25634	GRIP	1		
7	H170940	PIN	1		
8	11M7059	COTTER PIN	1		3.200 X 20 MM
9	B28970	SPRING	1		
10	24H1341	WASHER	2		17/32" X 15/16" X 0.060"
11	AH161432	PLATE	1		
12	192SE	SPRING	1		
13	AH161433	SHIELD	1		
14	19M7801	SCREW	2		M8 X 60

9
5
9 5
5 0
5 S
0 H

4B21

RESIDUE DISPOSAL

CHOPPER COVER AND BRACKETS - CHOP-TO-BALE
 HP9447 -UN-20DEC99



HP9447

9
5
9 5
5 0
5 S
0 H

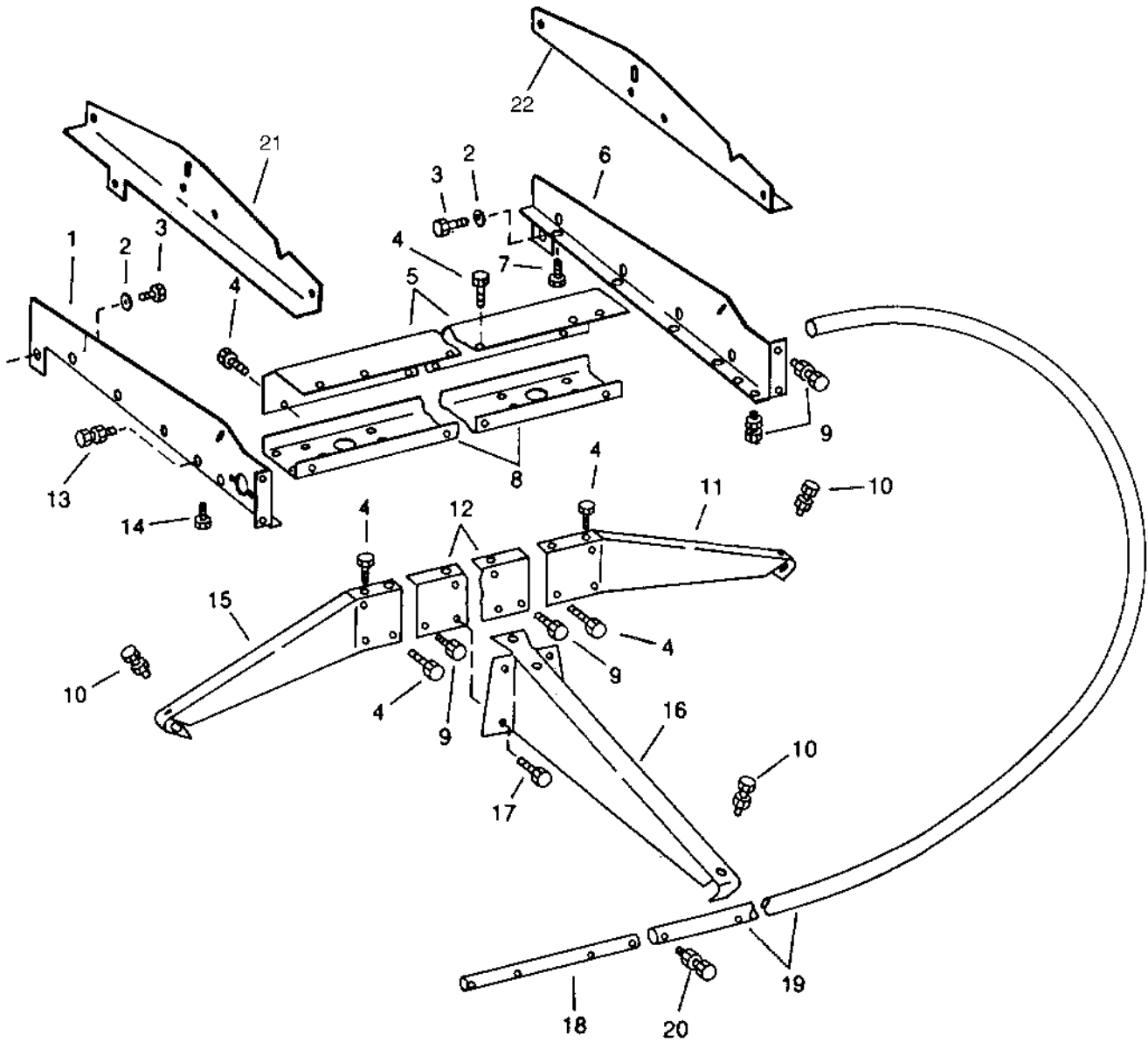
KEY	PART NO.	PART NAME	QTY	SERIAL NO.	REMARKS
1	03M7184	BOLT	18	X X	M8 X 20
2	H166882	ANGLE	1	X X	
3	H167807	COVER	1	X X	
4	14M7298	FLANGE NUT	18	X X	M8
5	H166881	ANGLE	1	X X	

4B22

RESIDUE DISPOSAL

STRAW SPREADER MOUNTING AND GUARD

HP8512 -UN-14JUN99



HP8512

4B23

RESIDUE DISPOSAL

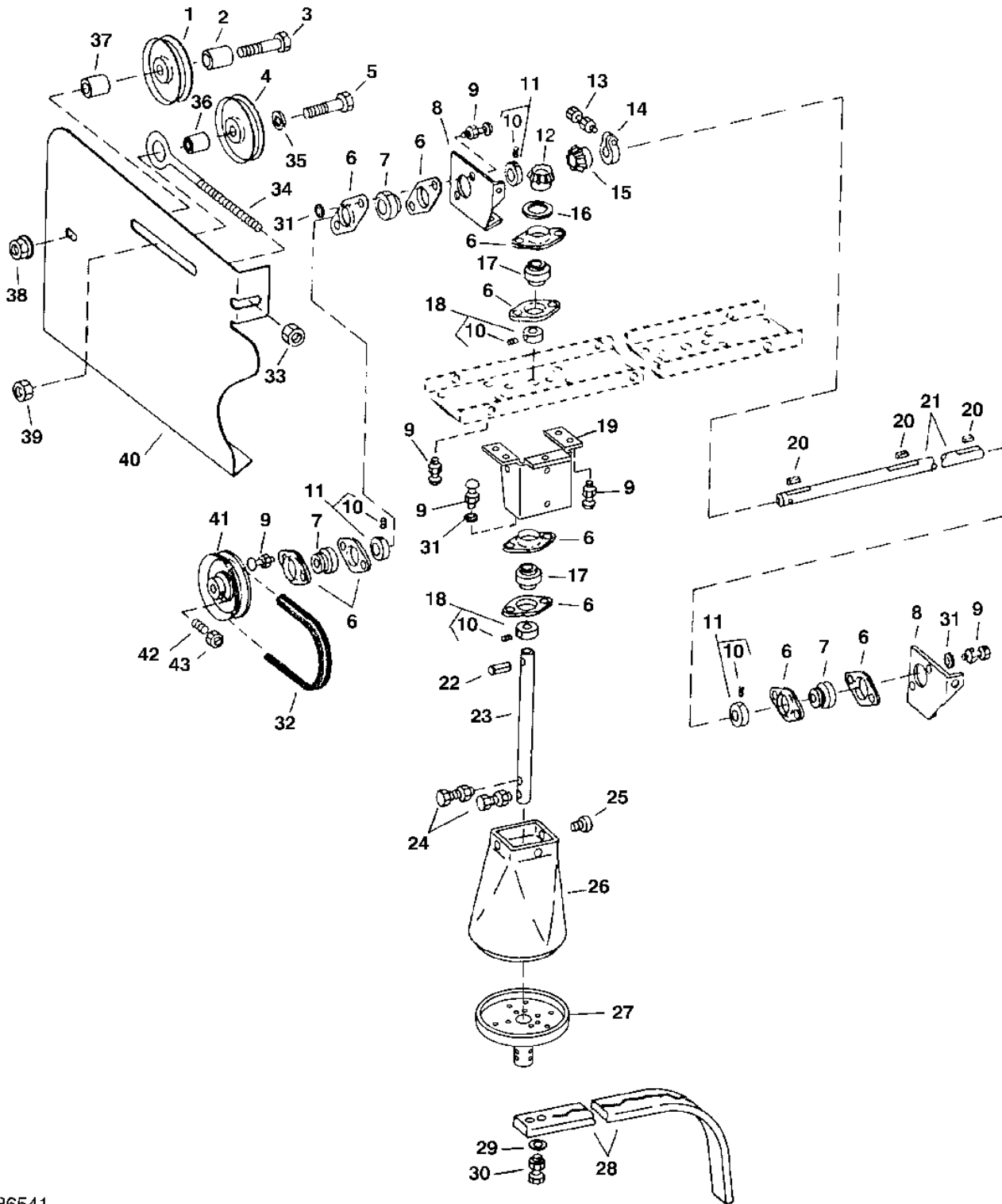
STRAW SPREADER MOUNTING AND GUARD - CONTINUED

KEY	PART NO.	PART NAME	QTY	SERIAL NO.	9505S0H		REMARKS
					0	H	
1	AH134439	ANGLE	1		X	X	L.H.
2	12H301	LOCK WASHER	1		X	X	1/2"
3	19H1792	CAP SCREW	1		X	X	1/2" X 1"
4	H78354	SCREW	1		X	X	
5	H117696	SUPPORT	1		X	X	
6	AH134438	ANGLE	1		X	X	R.H.
7	19M7784	SCREW	1		X	X	M10 X 20
8	H117692	SUPPORT	1		X	X	
9	19M7784	SCREW	11		X	X	M10 X 20
	14M7296	FLANGE NUT	1		X	X	M10
10	19M7979	SCREW	11		X	X	M8 X 55
	14M7396	LOCK NUT	1		X	X	M8
11	H121575	SUPPORT	1		X	X	
12	H117694	SUPPORT	1		X	X	
13	19M7866	SCREW	4		X	X	M8 X 20
	14M7298	FLANGE NUT	4		X	X	M8
14	19M7785	SCREW	4		X	X	M10 X 25
15	H121576	SUPPORT	1		X	X	
16	H121574	SUPPORT	1		X		
17	37M7058	SCREW	5		X	X	M8 X 20
18	H84932	TUBE	1		X	X	
19	AH85415	GUARD	2		X	X	
20	19M7269	CAP SCREW	1		X	X	M8 X 50
	14M7396	LOCK NUT	1		X	X	M8
21	AH138971	REINFORCEMENT	1		X	X	L.H.
22	AH138972	REINFORCEMENT	2		X	X	R.H.

4B24

RESIDUE DISPOSAL

STRAW SPREADER
HP6541 -UN-23AUG96



HP6541

4B25

RESIDUE DISPOSAL

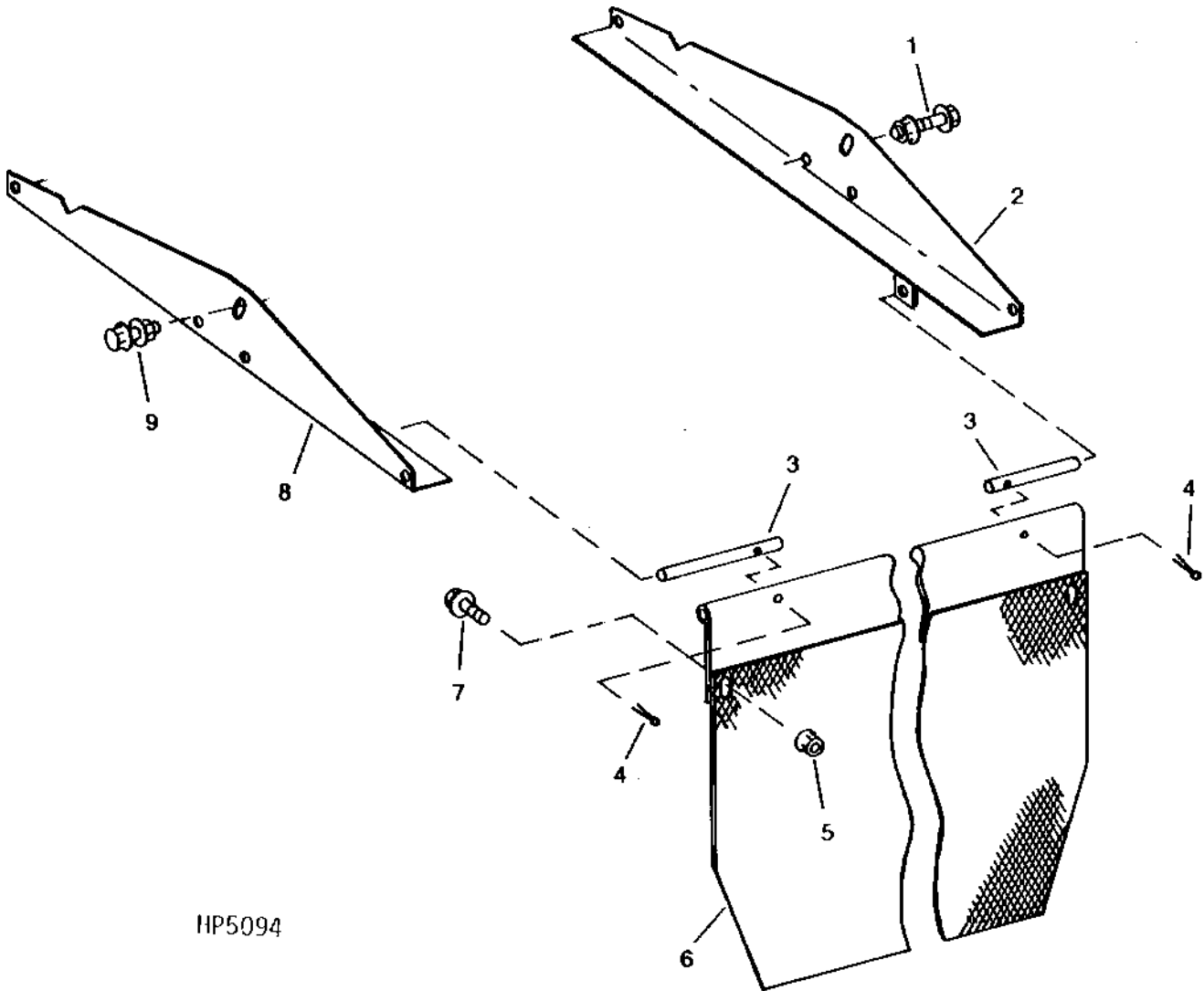
STRAW SPREADER - CONTINUED

KEY	PART NO.	PART NAME	QTY	SERIAL NO.	REMARKS
1	AH14097	SHEAVE	1		
2	28H1600	SPACER	1		
3	19M7819	SCREW	1	M12 X 90	
4	AM103480	IDLER	1		
5	19M7825	SCREW	1	M16 X 65	
6	P44439	PRESSED FLANGED HOUSING	14		
7	JD8665	BALL BEARING	1		
8	H135493	SUPPORT	3		
9	03H1540	BOLT	20	5/16" X 3/4"	
10	14H785	NUT	8	5/16"	
11	JD8554	ECCENTRIC LOCKING COLLAR	4		
12	H91228	GEAR	2		
13	19M7572	CAP SCREW	2	M10 X 45	
	14M7296	FLANGE NUT	2	M10	
14	H145112	CLAMP	2		
15	H91796	GEAR	2	(SET OF TWO GEARS)	
16	24H1433	WASHER	2	29/32" X 2-1/4" X 1/4"	
17	JD9442	BALL BEARING	4		
18	JD8563	ECCENTRIC LOCKING COLLAR	4		
19	AH131166	SUPPORT	2		
20	H167587	KEY	3		
21	H134716	DRIVE SHAFT	1		
22	25H1182	GROOVE PIN	2	5/16" X 1-3/4"	
23	H135494	PIN	2		
24	19M8318	SCREW	2	M8 X 45	
	14M7396	LOCK NUT	2	M8	
25	37M7058	SCREW	6	M8 X 20	
26	H83795	GUARD	2		
27	AH141184	CAP	2		
28	H76933	BLADE	1		
29	24M7207	WASHER	12	8.400 X 24 X 2 MM	
30	19M7322	CAP SCREW	12	M8 X 35	
	14M7396	LOCK NUT	12	M8	
31	24M7238	WASHER	10	8.700 X 17 X 2 MM	
32	H128234	BELT	1		
33	14M7291	FLANGE NUT	1	M16	
34	H127583	EYEBOLT	1		
35	24H1365	WASHER	1	21/32" X 1" X 0.090"	
36	Z33404	SPACER	1		
37	28H2514	BUSHING	1	0.546" X 0.840" X 3/4"	
38	14M7299	FLANGE NUT	1	M12	
39	14M7291	FLANGE NUT	1	M16	
40	H135017	BRACKET	1		
41	AH130964	SHEAVE	2		
42	H138435	SET SCREW	4	M10 X 25	
43	14M7152	NUT	1	M10	

4C1

RESIDUE DISPOSAL

SPREADER CURTAIN
HP5094 -UN-01JAN94



HP5094

4C2

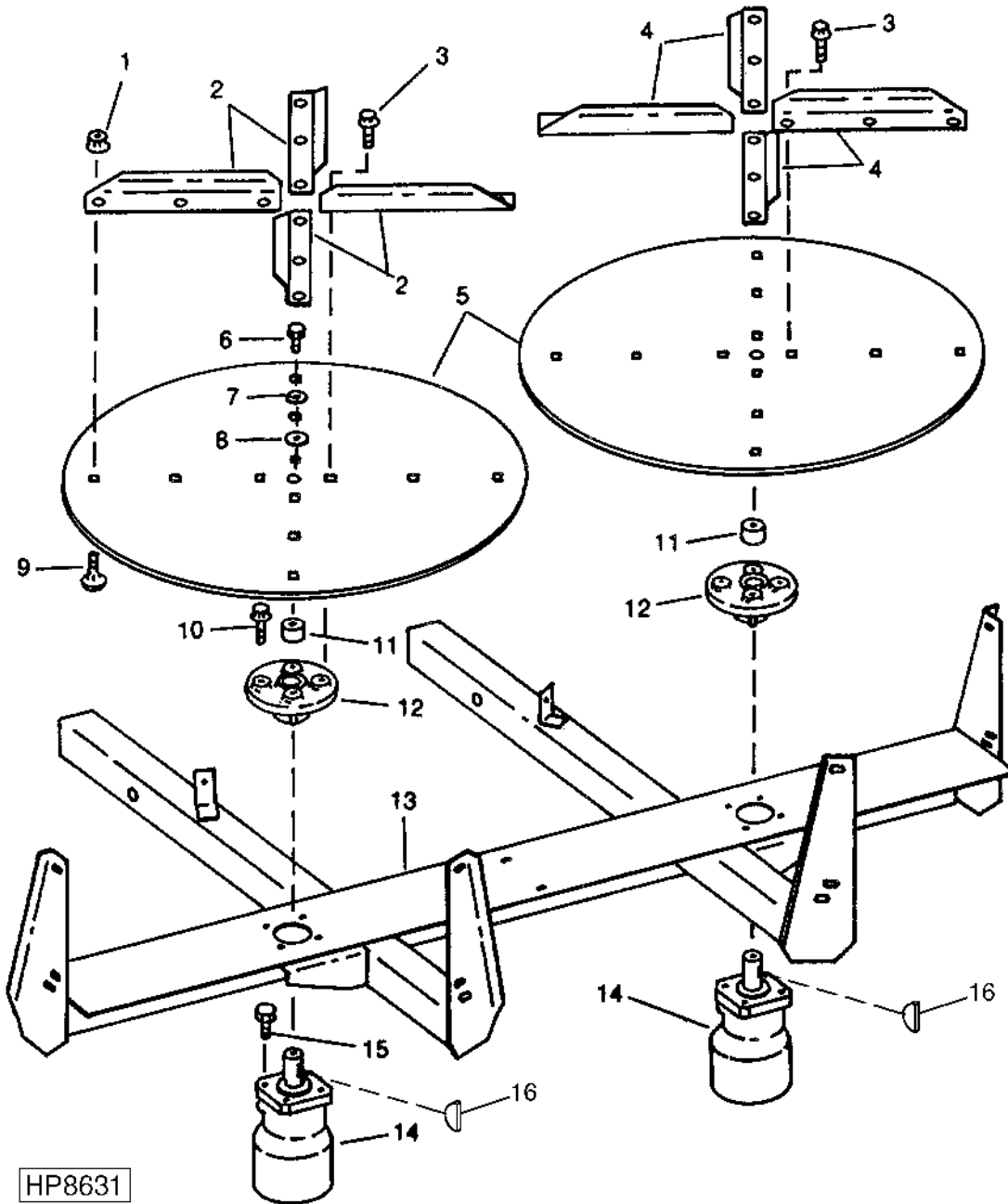
RESIDUE DISPOSAL

SPREADER CURTAIN - CONTINUED

KEY	PART NO.	PART NAME	QTY	SERIAL NO.	9 5 9 5 5 0 5 S 0 H	REMARKS
1	19M7809	SCREW	4		X X	M10 X 70
	14M7296	FLANGE NUT	4		X X	M10
2	AH138971	REINFORCEMENT	1		X X	
3	H131865	PIN	2		X X	
4	11M7086	COTTER PIN	2		X X	2.500 X 50 MM
5	14M7298	FLANGE NUT	2		X X	M8
6	AH135658	LIMIT CURTAIN	1		X X	
7	19M7865	SCREW	2		X X	M8 X 16
8	AH138972	REINFORCEMENT	1		X X	
9	19M7785	SCREW	1		X X	M10 X 25
	14M7296	FLANGE NUT	1		X X	M10

4C3

CHAFF SPREADER DISC
HP8631 -UN-15JUN99



HP8631

4C4

RESIDUE DISPOSAL

CHAFF SPREADER DISC - CONTINUED

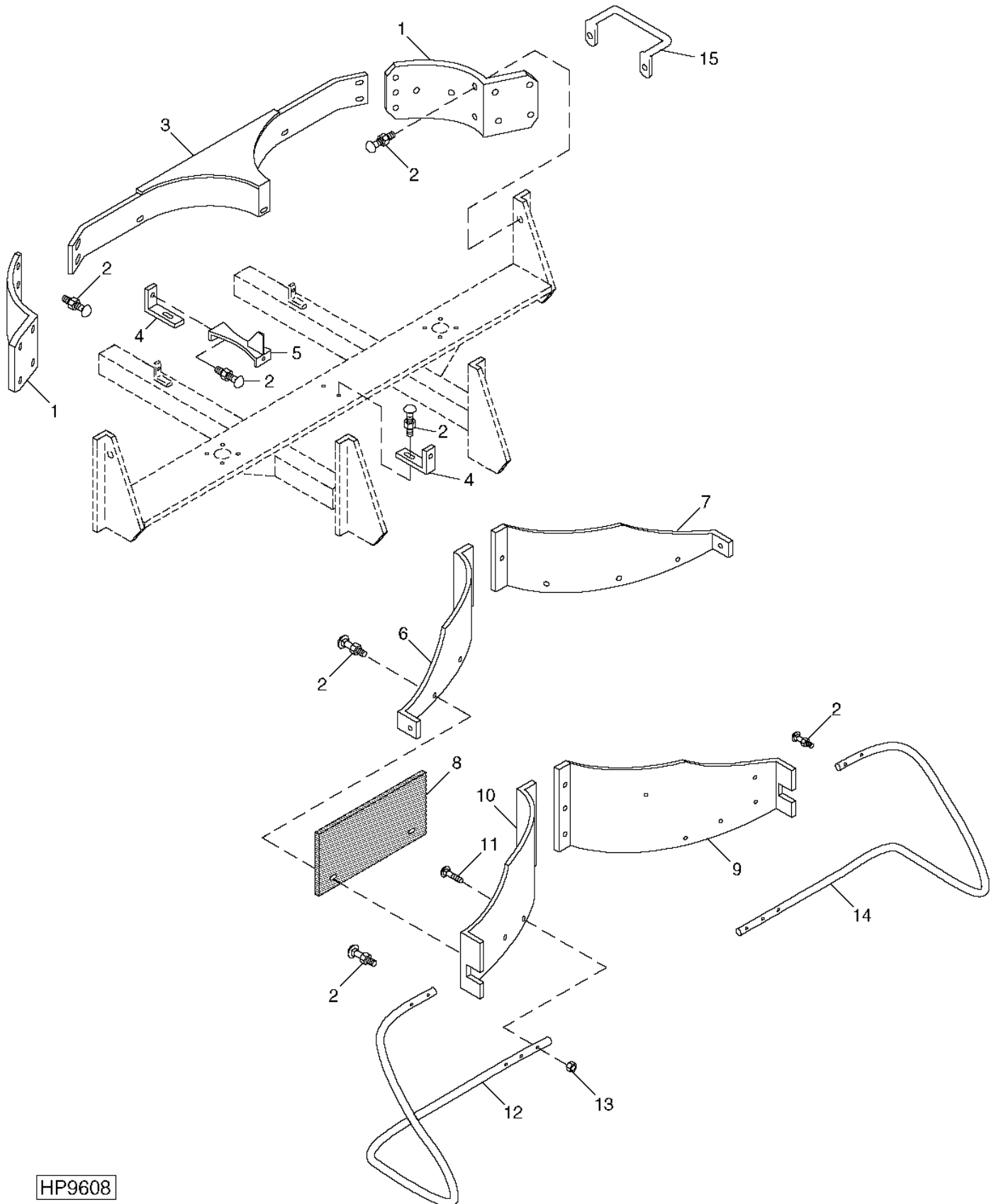
KEY	PART NO.	PART NAME	QTY	SERIAL NO.	0 H	REMARKS
					9	
					5	
					9 5	
					5 0	
					5 S	
					0 H	
1	14M7396	LOCK NUT	16		X X	M8
2	H140162	ANGLE	4		X X	
3	19M7865	SCREW	8		X X	M8 X 16
4	H140161	ANGLE	4		X X	
5	H136257	DISK	2		X X	
6	19H1898	CAP SCREW	2		X X	1/4" X 1-1/2"
7	12H302	LOCK WASHER	2		X X	1/4"
8	24H1287	WASHER	2		X X	9/32" X 5/8" X 0.065"
9	03M7184	BOLT	16		X X	M8 X 20
10	19M7784	SCREW	8		X X	M10 X 20
11	H123918	SPACER	2		X X	
12	H143955	HUB	2		X X	
13	AH137752	FRAME	1		X X	
14	AH141858	HYDRAULIC MOTOR	2		X X	(6.6 CC)
	AH148944	HYDRAULIC MOTOR	2		X X	(74 CC/REV)
15	19M7784	SCREW	8		X X	M10 X 20
16	26H22	SHAFT KEY	1		X X	
..	AH163801	SEAL KIT	1		X X	

4C5

RESIDUE DISPOSAL

CHAFF SPREADER SHIELDS AND HANDLES

HP9608 -UN-08MAR00



HP9608

4C6

RESIDUE DISPOSAL

CHAFF SPREADER (DUAL MOTOR) SHIELDS AND HANDLES - CONTINUED

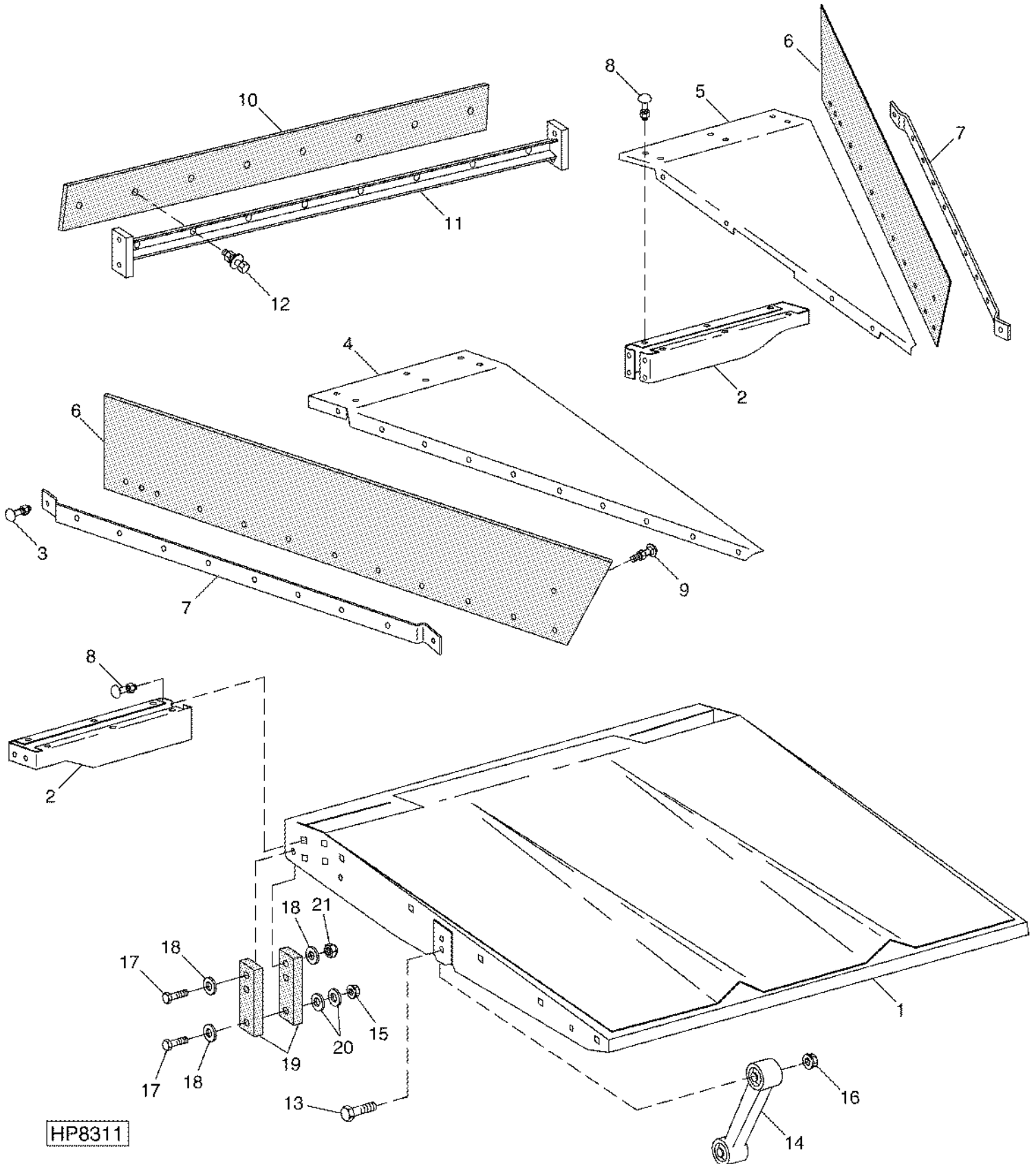
KEY	PART NO.	PART NAME	QTY	SERIAL NO.	9 5 9 5 5 0 5 S 0 H	REMARKS
1	H146011	SHIELD	2		X X	
2	03M7184	BOLT	28		X X	M8 X 20
	14M7298	FLANGE NUT	28		X X	M8
3	AH137753	SHIELD	1		X X	
4	H143948	BRACKET	2		X X	
5	AH141652	DUST SHIELD	1		X X	
6	H145096	SHIELD	1		X X	L.H.
7	H145095	SHIELD	1		X X	R.H.
8	H148107	DUST SHIELD	1		X X	
9	H143950	SHIELD	1		X X	R.H.
10	H143949	SHIELD	1		X X	L.H.
11	03M7223	BOLT	6		X X	M8 X 60
12	H143952	TUBE	1		X X	L.H.
13	14M7298	FLANGE NUT	6		X X	M8
14	H143951	TUBE	1		X X	R.H.
15	M112639	STOP	2		X X	

4C7

RESIDUE DISPOSAL

CHAFF SPREADER PAN, WINGS AND SEALS

HP8311 -UN-22APR99



HP8311

4C8

RESIDUE DISPOSAL

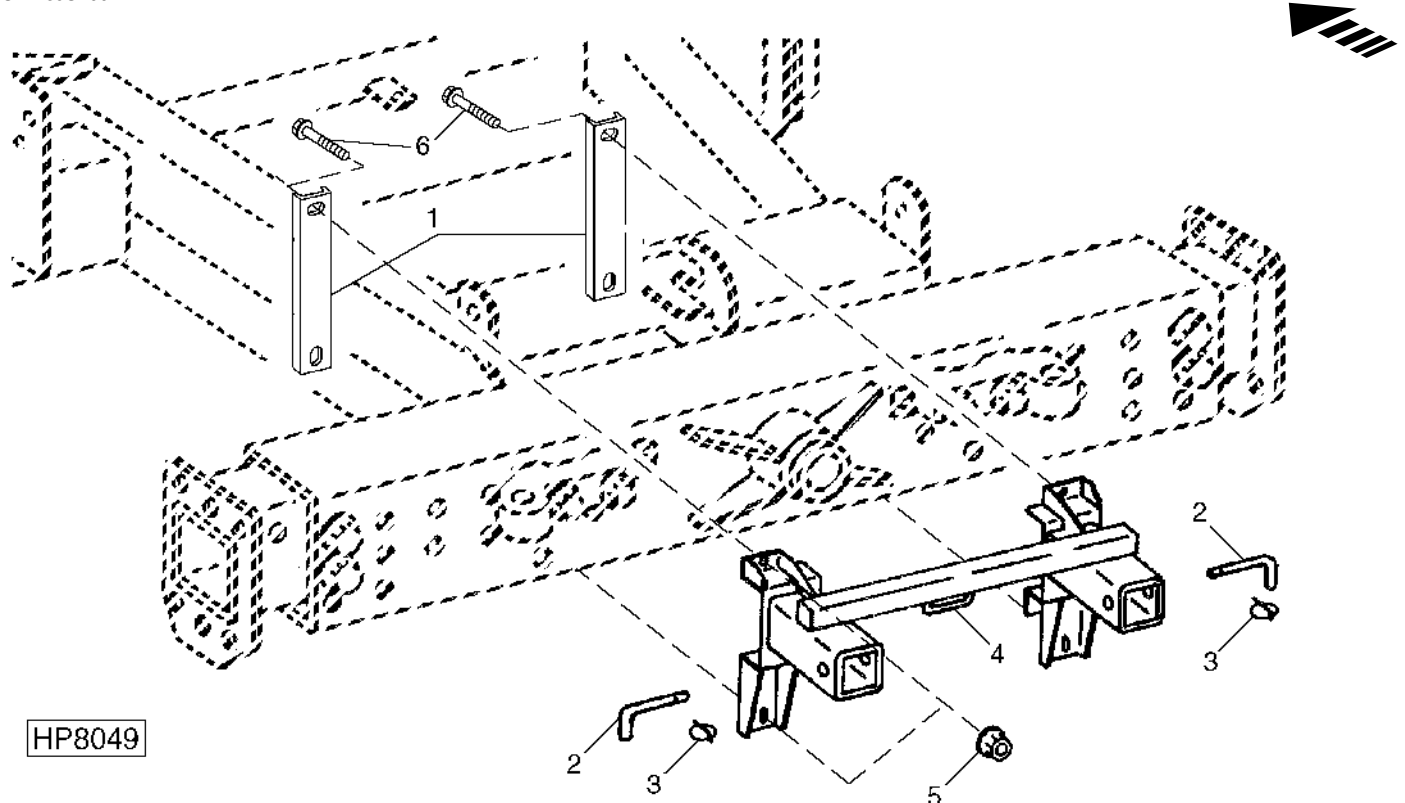
CHAFF SPREADER PAN, WINGS AND SEALS - CONTINUED

KEY	PART NO.	PART NAME	QTY	SERIAL NO.	0	H	REMARKS
					9		
					5		
					9	5	
					5	0	
					5	S	
					0	H	
1	AH137975	FRAME	1		X	X	
2	H144161	SUPPORT	2		X	X	
3	03M7184	BOLT	20		X	X	M8 X 20
	14M7396	LOCK NUT	20		X	X	M8
4	H144157	SHEET	1		X	X	L.H.
5	H144158	SHEET	1		X	X	R.H.
6	H148025	DEFLECTOR	2		X	X	
7	H144163	STRAP	2		X	X	
8	03M7184	BOLT	28		X	X	M8 X 20
	14M7298	FLANGE NUT	28		X	X	M8
9	03M7184	BOLT	2		X	X	M8 X 20
	24M7207	WASHER	2		X	X	8.400 X 24 X 2 MM
	14M7396	LOCK NUT	2		X	X	M8
10	H135844	FLAP	1		X	X	CHAFF CONVEYOR
11	AH132361	CROSSBAR	1		X	X	
12	19M7863	SCREW	9		X	X	M6 X 25
	24M7207	WASHER	9		X	X	8.400 X 24 X 2 MM
	14M7303	FLANGE NUT	9		X	X	M6
13	19M7819	SCREW	2		X	X	M12 X 90
14	AH138233	LINK	2		X	X	
15	14M7296	FLANGE NUT	4		X	X	
16	14M7299	FLANGE NUT	1		X	X	
17	19M8292	SCREW	6		X	X	
18	24M7178	WASHER	6		X	X	
19	H130388	STRAP	4		X	X	
20	24M7180	WASHER	4		X	X	
21	14M7400	LOCK NUT	2		X	X	
..	BH79815	COMPLETE GOODS/SHIP. BUNDLE	1		X	X	CHAFF PAN WING AND EXTERNAL BUNDLE
..	BH80419	COMPLETE GOODS/SHIP. BUNDLE	1		X		CHAFF SPREADER LESS FOUR WHEEL DRIVE
..	BH80420	COMPLETE GOODS/SHIP. BUNDLE	1		X		CHAFF SPREADER WITH FOUR WHEEL DRIVE
..	BH80421	COMPLETE GOODS/SHIP. BUNDLE	1		X		CHAFF SPREADER LESS FOUR WHEEL DRIVE
..	BH80422	COMPLETE GOODS/SHIP. BUNDLE	1		X		CHAFF SPREADER WITH FOUR WHEEL DRIVE

4C9

RESIDUE DISPOSAL

CHAFF SPREADER MOUNTING SUPPORT
HP8049 -UN-23JUL99



HP8049

KEY	PART NO.	PART NAME	QTY	SERIAL NO.	9 5 9 5 5 0 H	REMARKS
1	H164605	CHANNEL	2		X	
	H148202	U-BOLT	2		X	
2	H139005	PIN	2		X X	
3	M72598	QUICK LOCK PIN	2		X X	
4	AH137751	SUPPORT	1		X	
	AH138510	SUPPORT	1		X	
5	14M7299	FLANGE NUT	4		X X	M12
6	19M7822	SCREW	4		X X	M12 X 160

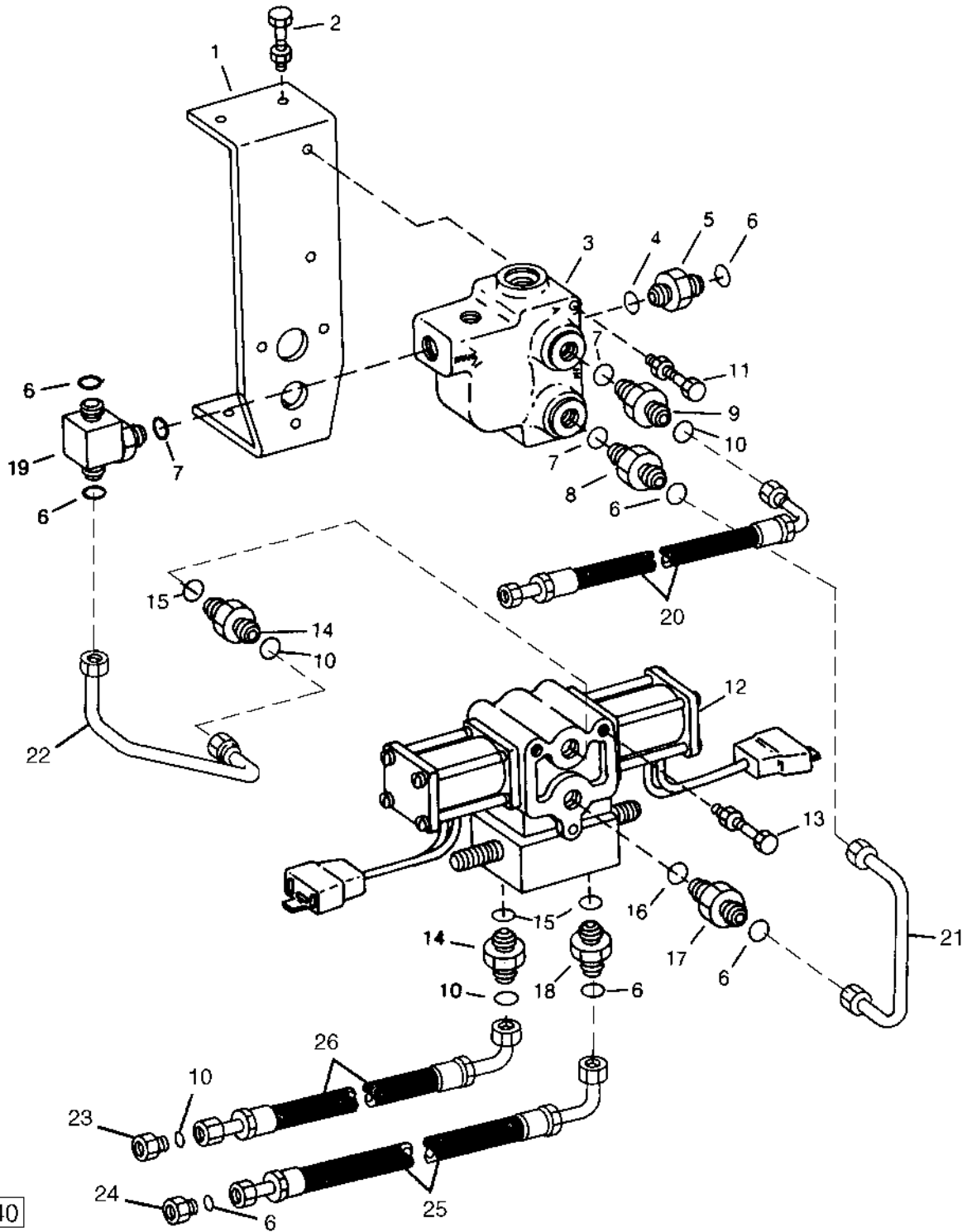
MEMORANDA

4C11

SIDEHILL LEVELING

LEVELING SOLENOID VALVE AND FLOW DIVIDER (SIDEHILL)

HP8640 -UN-10JUN99



HP8640

LEVELING SOLENOID VALVE AND FLOW DIVIDER (SIDEHILL)- CONTINUED

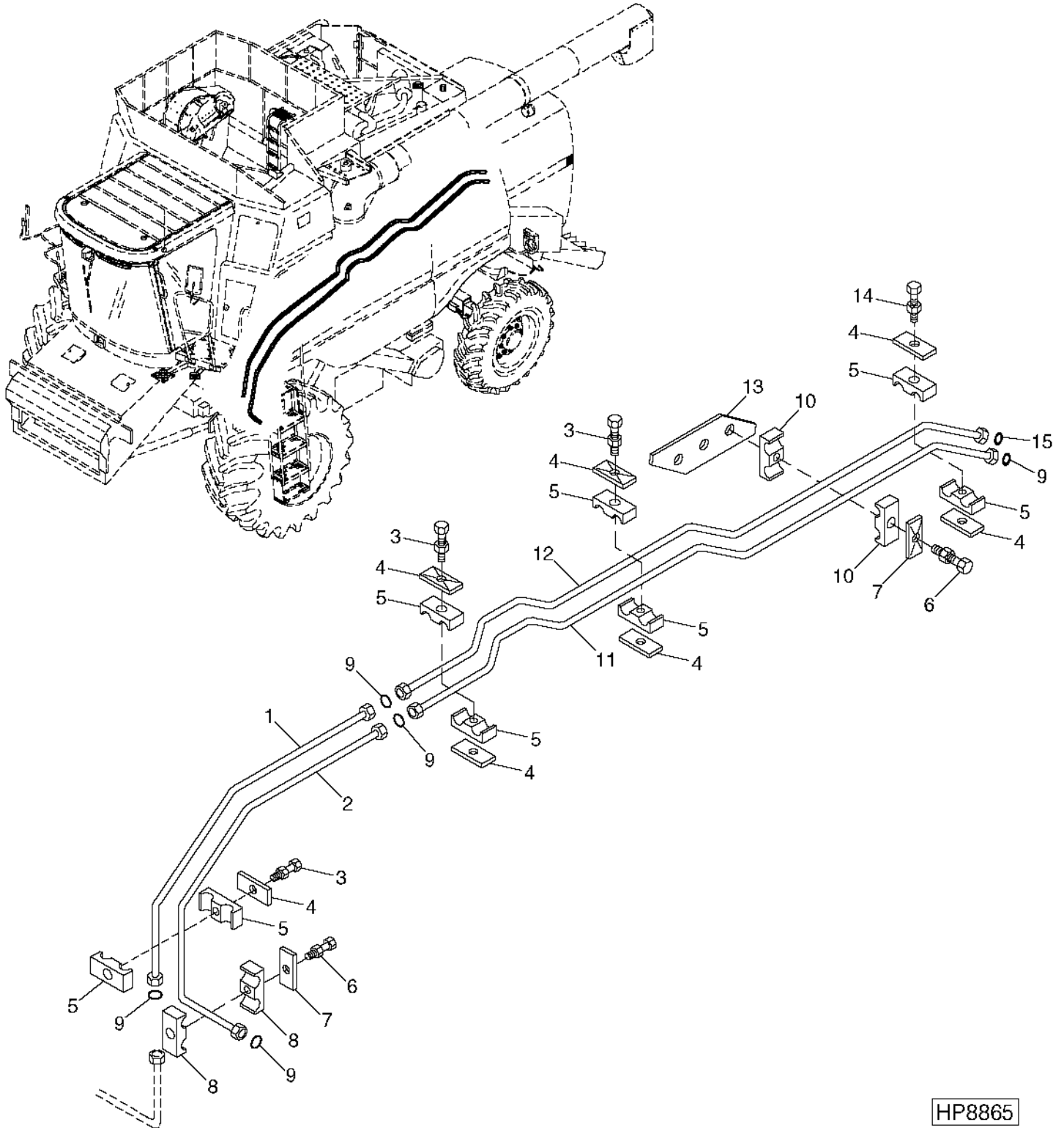
KEY	PART NO.	PART NAME	QTY	SERIAL NO.	0 H	REMARKS
					9	
					5	
					9	
					5	
					0	
					5	
					S	
					0	
					H	
1	H143696	BRACKET	1		X	
2	19M7866	SCREW	2		X	M8 X 20
	14M7298	FLANGE NUT	2		X	M8
3	AH135807	VALVE	1		X	
4	U12547	O-RING	1		X	23.470 X 2.946 MM (0.924" X 0.116")
5	38H1329	ADAPTER	1		X	STRAIGHT
6	T77932	O-RING	7		X	15.596 X 1.778 MM (0.614" X 0.070")
7	R26906	O-RING	3		X	19.177 X 2.464 MM (0.755" X 0.097")
8	38H1162	ADAPTER	1		X	STRAIGHT
9	38H1174	ADAPTER	1		X	STRAIGHT
10	T77857	O-RING	4		X	12.421 X 1.778 MM (0.489" X 0.070")
11	19M7803	SCREW	2		X	M8 X 70
	14M7298	FLANGE NUT	2		X	M8
12	AH135448	VALVE	1		X	
13	19M8039	SCREW	3		X	M8 X 80
	14M7298	FLANGE NUT	3		X	M8
14	38H1161	ADAPTER	2		X	STRAIGHT
15	R26375	O-RING	3		X	16.358 X 2.210 MM (0.644" X 0.087")
16	R26448	O-RING	1		X	11.887 X 1.981 MM (0.468" X 5/64")
17	38H1512	FITTING	1		X	STRAIGHT
18	38H1317	FITTING	1		X	STRAIGHT
19	38H1018	TEE FITTING	1		X	TEE
20	AH136111	HYDRAULIC HOSE	1		X	13/16" X 775 MM X 1", PRESSURE (FLOW DIVIDER TO HP LINE)
21	AH136263	OIL LINE	1		X	PRESSURE (FROM "B" PORT OF FLOW DIVIDER TO SOLENOID VALVE PR PORT)
22	AH136264	OIL LINE	1		X	RETURN (FROM EX PORT OF SOLENOID VALVE TO BOTTOM OF TEE IN DR PORT OF FLOW DIVIDER)
23	38H1147	FITTING PLUG	1		X	
24	38H1148	FITTING PLUG	1		X	
25	AH138549	HYDRAULIC HOSE	1		X	1" X 775 MM X 1", TO R.H. LEVELING CYLINDER LINE
26	AH138548	HYDRAULIC HOSE	1		X	13/16" X 665 MM X 13/16", TO L.H. LEVELING CYLINDER LINE

4C13

SIDEHILL LEVELING

LEVELING CYLINDER OIL LINES (SIDEHILL)

HP8865 -UN-25FEB00



HP8865

4C14

SIDEHILL LEVELING

LEVELING CYLINDER OIL LINES (SIDEHILL)- CONTINUED

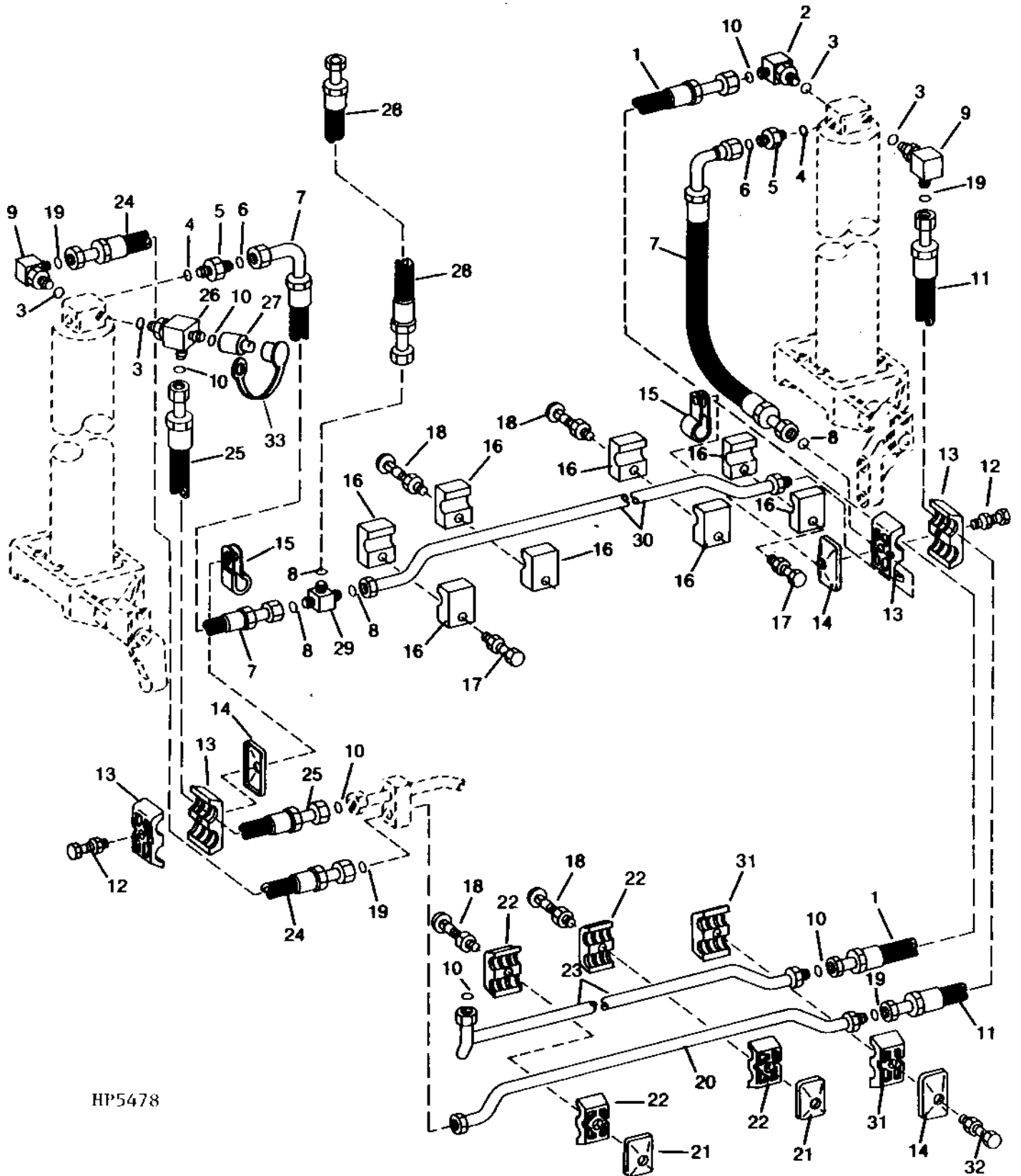
KEY	PART NO.	PART NAME	QTY	SERIAL NO.	9 5 9 5 5 0 5 S 0 H	REMARKS
1	AH137567	OIL LINE	1		X	LOWER, R.H. CYLINDER ROD SIDE
2	AH145899	OIL LINE	1		X	
3	19M7803	SCREW	1		X	M8 X 70
	14M7298	FLANGE NUT	1		X	M8
4	H121168	PLATE	2		X	
5	H135156	CLAMP	4		X	
6	19M7979	SCREW	1		X	M8 X 55
	14M7298	FLANGE NUT	1		X	M8
7	H112567	PLATE	1		X	
8	H141510	CLAMP	2		X	
9	T77857	O-RING	2		X	12.421 X 1.778 MM (0.489" X 0.070")
10	H141706	CLAMP	1		X	
11	AH137561	OIL LINE	1		X	
12	AH137560	OIL LINE	1		X	
13	H141705	PLATE	1		X	
14	19M8319	SCREW	1		X	M8 X 50
	14M7298	FLANGE NUT	1		X	M8
15	T77932	O-RING	1		X	

4C15

SIDEHILL LEVELING

LEVELING CYLINDER HOSES AND OIL LINES (SIDEHILL)

HP5478 -UN-01JAN94



HP5478

4C16

SIDEHILL LEVELING

LEVELING CYLINDER HOSES AND OIL LINES (SIDEHILL)- CONTINUED

KEY	PART NO.	PART NAME	QTY	SERIAL NO.	0 H	REMARKS
1	AH138547	HYDRAULIC HOSE	1		X	13/16" X 1 610 MM (63-1/2") X 13/16", R.H. ROD PORT TO L.H. ROD PORT
2	38H1005	ELBOW FITTING	1		X	90°
3	R26375	O-RING	4		X	16.358 X 2.210 MM (0.644" X 0.087")
4	R28782	O-RING	2		X	8.915 X 1.829 MM (0.351" X 0.072")
5	38H1159	ADAPTER	2		X	STRAIGHT
6	T77814	O-RING	2		X	7.645 X 1.778 MM (0.301" X 0.070")
7	AH137572	HYDRAULIC HOSE	2		X	11/16" X 1 425 MM (56") X 9/16", CYLINDER TO TANK RESERVOIR
8	T77613	O-RING	4		X	9.246 X 1.778 MM (0.364" X 0.070")
9	38H1405	ELBOW FITTING	2		X	90°
10	T77857	O-RING	5		X	12.421 X 1.778 MM (0.489" X 0.070")
11	AH137616	HYDRAULIC HOSE	1		X	1" X 1 515 MM (59-3/4") X 1", R.H. PISTON PORT TO L.H. PISTON PORT
12	19M7802	SCREW	2		X	M8 X 65
	14M7298	FLANGE NUT	2		X	M8
13	H122772	CLAMP	4		X	
14	H112567	PLATE	2		X	
15	H75541	CLAMP	2		X	
16	H127589	CLAMP	8		X	
17	19M8317	SCREW	2		X	M8 X 40
	14M7298	FLANGE NUT	2		X	M8
18	03M7189	BOLT	4		X	M8 X 45
	14M7298	FLANGE NUT	4		X	M8
19	T77932	O-RING	4		X	15.596 X 1.778 MM (0.614" X 0.070")
20	AH137570	OIL LINE	1		X	BOTTOM
21	H121168	PLATE	2		X	
22	H135156	CLAMP	4		X	
23	AH137569	OIL LINE	1		X	CENTER
24	AH137614	HYDRAULIC HOSE	1		X	1" X 1 710 MM (67-1/4") X 1"
25	AH138546	HYDRAULIC HOSE	1		X	13/16" X 1 465 MM (57-3/4") X 13/16"
26	38H1024	TEE FITTING	1		X	
27	RE43774	FITTING	1		X	DIAGNOSTIC
28	AH138553	HYDRAULIC HOSE	1		X	11/16" X 310 MM (12-1/4") X 11/16"
29	38H1205	TEE FITTING	1		X	
30	AH137576	OIL LINE	1		X	TOP
31	H141510	CLAMP	2		X	
32	19M7979	SCREW	1		X	M8 X 55
	14M7298	FLANGE NUT	1		X	M8
33	R77175	COVER	1		X	

9
5
9 5
5 0
5 S
0 H

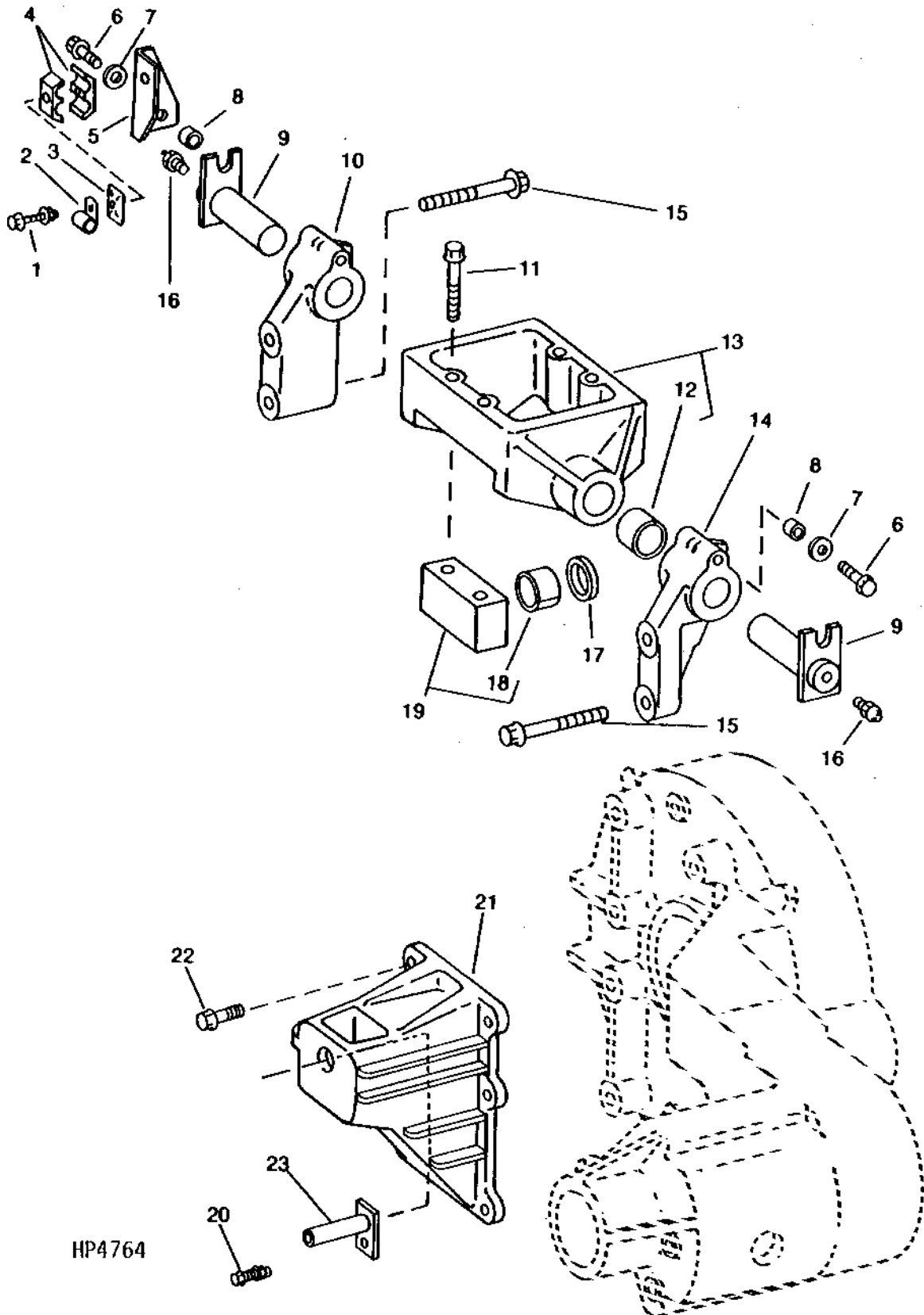
4C17

SIDEHILL LEVELING

LEVELING CYLINDER MOUNTING BRACKETS AND PINS (SIDEHILL)

(LEFT SIDE ILLUSTRATED)

HP4764 -UN-01JAN94



4C18

SIDEHILL LEVELING

LEVELING CYLINDER MOUNTING BRACKETS AND PINS (SIDEHILL) CONTINUED

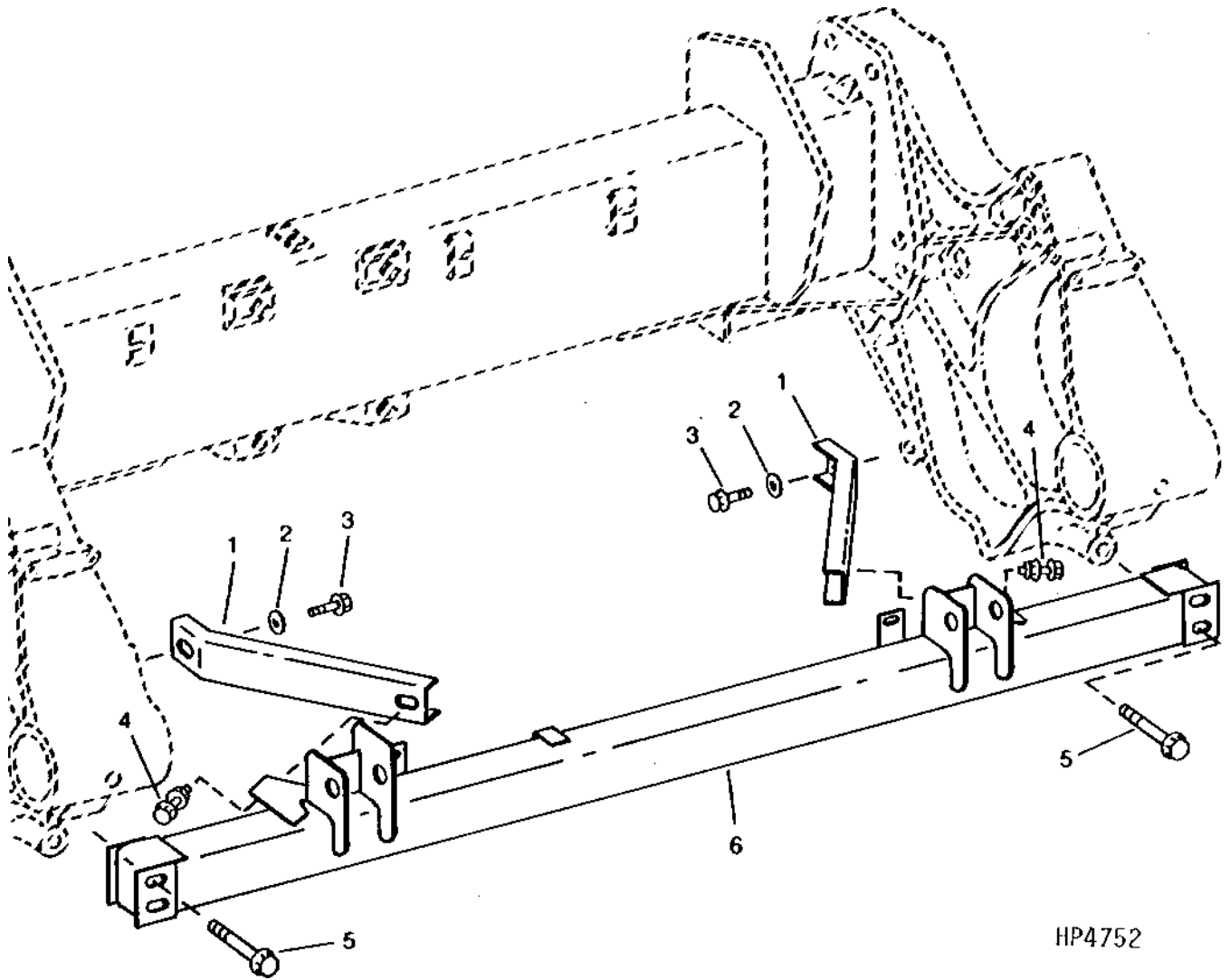
KEY	PART NO.	PART NAME	QTY	SERIAL NO.	0 H	REMARKS
1	19M7802	SCREW	2		X	M8 X 65
	14M7298	FLANGE NUT	2		X	M8
2	H75541	CLAMP	2		X	
3	H112567	PLATE	2		X	
4	H122772	CLAMP	4		X	
5	H143690	BRACKET	1		X	
6	19M7791	SCREW	2		X	M12 X 40
7	24M7180	WASHER	2		X	13 X 37 X 3 MM
8	R36728	BUSHING	2		X	13.081 X 18.288 X 18.288 MM (0.515" X 0.720" X 0.720")
9	AH96446	PIN	2		X	
10	H141482	SUPPORT	1		X	REAR
11	19M7820	SCREW	4		X	M12 X 100
12	R65828	BUSHING	2		X	50.775 X 55.500 X 50.800 MM (1.999" X 2.185" X 2")
13	AH135963	TRUNNION	1		X	CYLINDER
14	H141481	SUPPORT	1		X	FRONT
15	19M7853	SCREW	4		X	M20 X 150
16	JD7759	LUBRICATION FITTING	2		X	
17	H101223	WASHER	2		X	50.800 X 61.976 X 6.096 MM (2" X 2.440" X 0.240") ON CYLINDER TRUNNION
18	H101195	BUSHING	2		X	
19	AH140558	PILLOW BLOCK	2		X	
20	19M8306	SCREW	1		X	M12 X 50
	14M7401	LOCK NUT	1		X	M12
21	H146553	HOUSING	1		X	
22	19M7895	SCREW	6		X	M20 X 50
23	AH140394	PIVOT	1		X	

9
5
9 5
5 0
5 S
0 H

4C19

SIDEHILL LEVELING

HEADER LIFT SUPPORT (SIDEHILL)
HP4752 -UN-01JAN94



4C20

SIDEHILL LEVELING

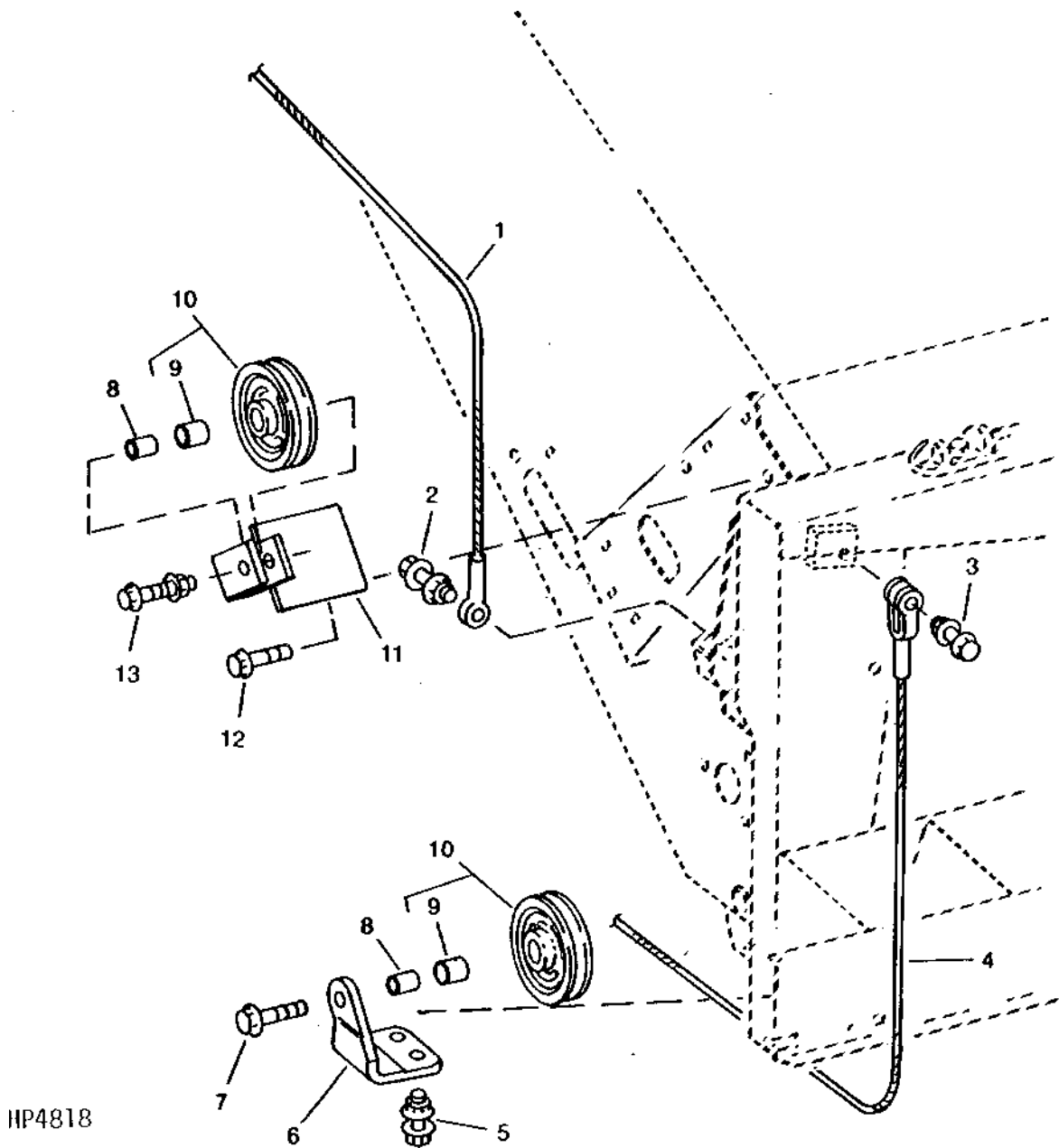
HEADER LIFT SUPPORT (SIDEHILL) - CONTINUED

KEY	PART NO.	PART NAME	QTY	SERIAL NO.	9 5 9 5 5 0 5 S 0 H	REMARKS
1	H144111	CHANNEL	2		X	
2	24M7242	WASHER	2		X	21.400 X 42 X 5 MM
3	19M7895	SCREW	2		X	M20 X 50
4	19M7895	SCREW	2		X	M20 X 50
	14M7300	FLANGE NUT	2		X	M20
5	19M7853	SCREW	4		X	M20 X 150
6	AH137893	SUPPORT	1		X	

4C21

SIDEHILL LEVELING

LEVELING CABLES, SHEAVES AND BRACKETS (LOWER FRONT)
(SIDEHILL) (LOWER FRONT)
HP4818 -UN-01JAN94



4C22

SIDEHILL LEVELING

LEVELING CABLES, SHEAVES AND BRACKETS (LOWER FRONT) -
(LOWER FRONT) (SIDEHILL)

CONTINUED

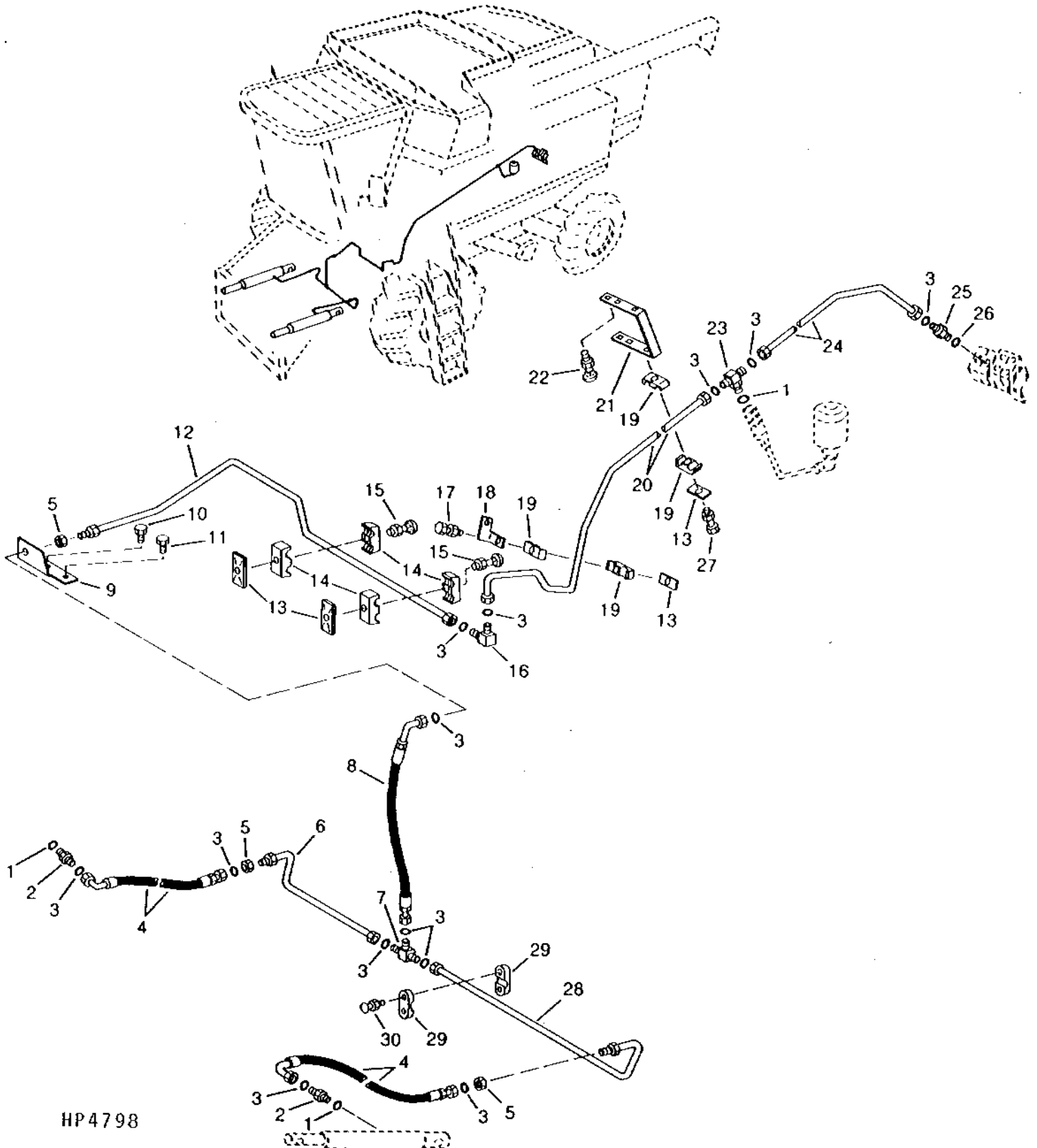
KEY	PART NO.	PART NAME	QTY	SERIAL NO.	REMARKS
					9
					5
					9 5
					5 0
					5 S
					0 H
1	AH138813	CABLE	1		X 2 625 MM (103-11/32") UPPER
2	19M7813	SCREW	1		X M12 X 45
	14M7401	LOCK NUT	1		X M12
3	19M8112	SCREW	1		X M12 X 55
	14M7401	LOCK NUT	1		X M12
4	AH138814	CABLE	1		X 3 505 MM (138") LOWER
5	19M7789	SCREW	2		X M12 X 30
	14M7299	FLANGE NUT	2		X M12
6	H147235	PLATE	1		X LOWER
7	19M8112	SCREW	1		X M12 X 55
8	H88096	SPACER	2		X 13.487 X 22.200 X 35.052 MM (17/32" X 0.874" X 1.380")
9	H87502	BUSHING	2		X
10	AH88920	PULLEY	2		X
11	AH139316	SUPPORT	1		X UPPER
12	19M7789	SCREW	3		X M12 X 30
13	19M7815	SCREW	1		X M12 X 60
	14M7299	FLANGE NUT	1		X M12

4C23

SIDEHILL LEVELING

HEADER LIFT HYDRAULIC LINES AND HOSES (SIDEHILL)

HP4798 -UN-01JAN94



HP4798

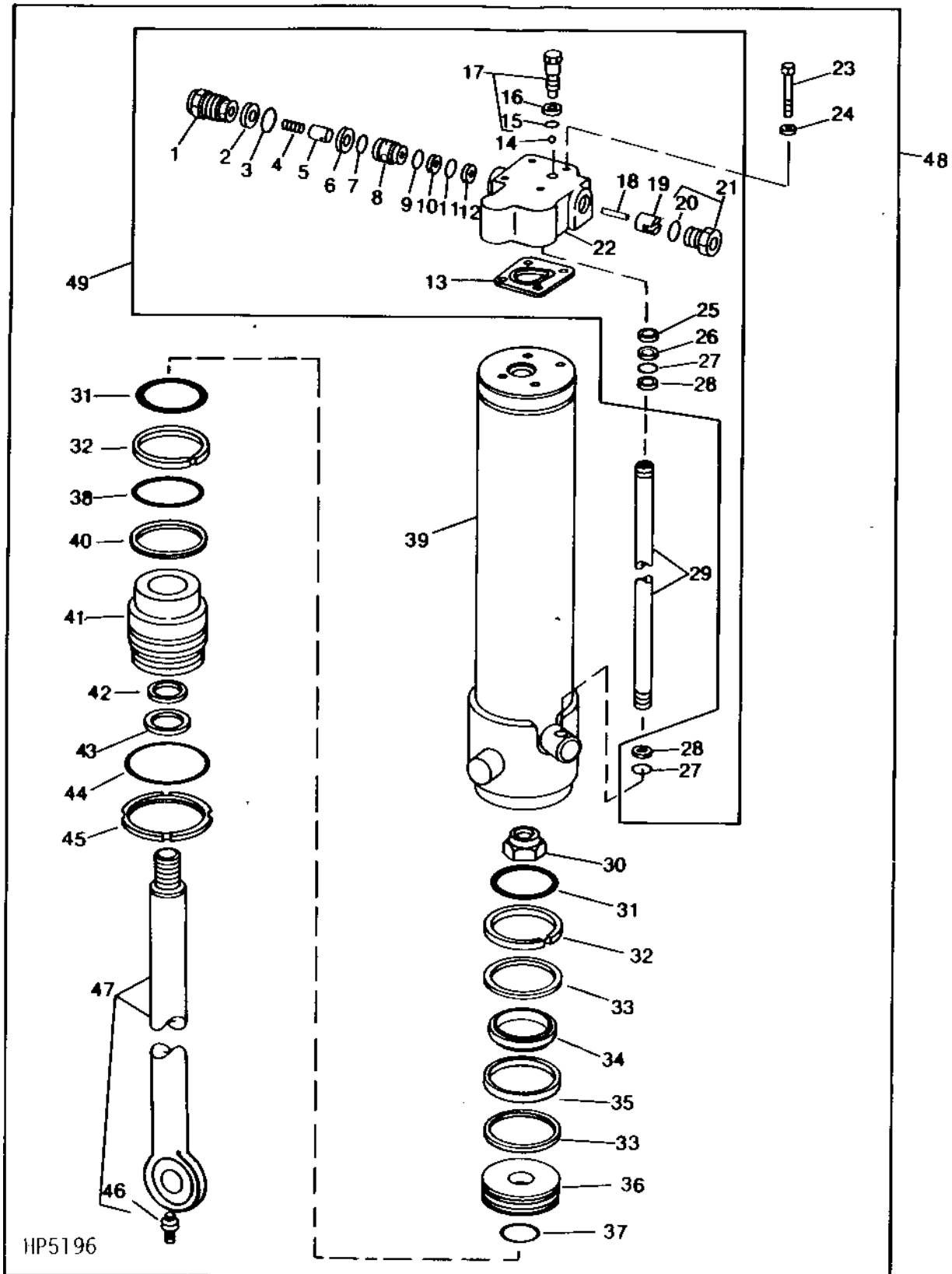
**HEADER LIFT HYDRAULIC LINES AND HOSES - CONTINUED
(SIDEHILL)**

KEY	PART NO.	PART NAME	QTY	SERIAL NO.	0 H	REMARKS
					9	
					5	
					9 5	
					5 0	
					5 S	
					0 H	
1	R26375	O-RING	3		X	16.358 X 2.210 MM (0.644" X 0.087")
2	38H1161	ADAPTER	2		X	
3	T77857	O-RING	10		X	12.421 X 1.778 MM (0.489" X 0.070")
4	AH137618	HYDRAULIC HOSE	2		X	13/16" X 400 MM (15-3/4") X 13/16"
5	T78716	NUT	3		X	20.625 MM (13/16")
6	AH138725	OIL LINE	1		X	
7	38H1206	TEE FITTING	1		X	
8	AH136277	HYDRAULIC HOSE	1		X	13/16" X 450 MM (17-3/4") X 13/16"
9	H141839	BRACKET	1		X	
10	19M7865	SCREW	1		X	M8 X 16
11	19M7866	SCREW	1		X	M8 X 20
12	AH137691	OIL LINE	1		X	
13	H121168	PLATE	4		X	
14	H108291	CLAMP	4		X	
15	03M7262	BOLT	2		X	M6 X 50
	14M7303	FLANGE NUT	2		X	M6
16	38H1378	ELBOW FITTING	1		X	
17	19M8317	SCREW	1		X	M8 X 40
	14M7298	FLANGE NUT	1		X	M8
18	H135974	BRACKET	1		X	
19	H108291	CLAMP	1		X	
20	AH131576	HYDRAULIC LINE	1		X	
21	H131115	BRACKET	1		X	
22	03M7184	BOLT	1		X	M8 X 20
	14M7396	LOCK NUT	1		X	M8
23	38H1017	TEE FITTING	1		X	
24	AH128753	HYDRAULIC LINE	1		X	
25	38H1173	ADAPTER	1		X	
26	R26448	O-RING	1		X	11.887 X 1.981 MM (0.468" X 5/64")
27	19M8318	SCREW	1		X	M8 X 45
	14M7298	FLANGE NUT	1		X	M8
28	AH138724	OIL LINE	1		X	
29	H117937	CLAMP	2		X	
30	03M7189	BOLT	1		X	M8 X 45
	14M7298	FLANGE NUT	1		X	M8

4D1

SIDEHILL LEVELING

LEVELING CYLINDER (SIDEHILL)
HP5196 -UN-01JAN94



HP5196

LEVELING CYLINDER (SIDEHILL)- CONTINUED

KEY	PART NO.	PART NAME	QTY	SERIAL NO.	0 H	REMARKS
					9	
					5	
					9	
					5	
					0	
					5	
					S	
					0	
					H	
1	H97289	FITTING	1		X	
2	T42802	BACK-UP RING	1		X	(KIT AH96090)
3	U15974	O-RING	1		X	26.645 X 2.616 MM (1.049" X 0.103") (KIT AH96090)
4	H86881	SPRING	1		X	
5	H86880	CASE	1		X	
6	U40728	BACK-UP RING	1		X	23.825 X 26.518 X 1.143 MM (15/16" X 1.044" X 0.045") (KIT AH96090)
7	R27928	O-RING	1		X	23.520 X 1.778 MM (0.926" X 0.070") (KIT AH96090)
8	H97291	SEAT	1		X	
9	P42061	O-RING	1		X	21.946 X 1.778 MM (0.864" X 0.070") (KIT AH96090)
10	WASHER	1		X	(KIT AH96090)
11	A3917R	O-RING	1		X	9.246 X 1.778 MM (0.364" X 0.070") (KIT AH96090)
12	U15414	RING	1		X	(KIT AH96090)
13	H97288	GASKET	1		X	(KIT AH141270)
14	H60816	BALL	1		X	
15	R34802	O-RING	1		X	5.283 X 1.778 MM (0.208" X 0.070") (KIT AH96090)
16	U41516	RING	1		X	5.944 X 10.338 X 1.143 MM (15/64" X 0.407" X 0.045") (KIT AH96090)
17	AH96088	PLUG	1		X	
18	H97292	PIN	1		X	
19	H97293	PLUNGER	1		X	
20	T42798	O-RING	1		X	25.070 X 2.616 MM (0.987" X 0.103") (KIT AH96090)
21	AH90499	PLUG	1		X	
22	HOUSING	1		X	(SUB AH113671)
23	19H1733	CAP SCREW	4		X	3/8" X 2-1/2"
24	12H304	LOCK WASHER	4		X	3/8"
25	U40749	SHIM	AR		X	3/4" X 0.030"
26	U40748	SHIM	AR		X	3/4" X 0.015"
27	R459R	O-RING	2		X	(KIT AH141270)
28	W23690	BACK-UP RING	2		X	(KIT AH141270)
29	TUBE	1		X	
30	T24715	NUT	1		X	
31	O-RING	2		X	(KIT AH141270)
32	WEAR RING	2		X	(KIT AH141270)
33	BACK-UP RING	2		X	(KIT AH141270)
34	SEAL	1		X	(KIT AH141270)
35	PISTON RING	1		X	(KIT AH141270)
36	PISTON	1		X	(KIT AH141270)
37	O-RING	1		X	(KIT AH141270)
38	L2301CU	O-RING	1		X	(KIT AH141270)
39	HYDRAULIC CYLINDER BARREL	1		X	
40	BACK-UP RING	1		X	3/16" X 1-3/4", (KIT AH141270)
41	H157597	HYDR. CYLINDER ROD GUIDE	1		X	
42	SEAL	1		X	(KIT AH141270)
43	SEAL	1		X	(KIT AH141270)
44	SNAP RING	1		X	(KIT AH141270)
45	N133564	NUT	1		X	
46	JD7842	LUBRICATION FITTING	1		X	LEVELING
47	AH149921	END	1		X	
48	AH141269	HYDRAULIC CYLINDER	1		X	LEVELING
49	AH113671	KIT	2		X	(USE WITH AR31674)
..	AH141270	HYDRAULIC CYLINDER KIT	1		X	CYLINDER BARREL SEAL REPAIR
..	AH96090	KIT	1		X	VALVE BLOCK SEAL REPAIR

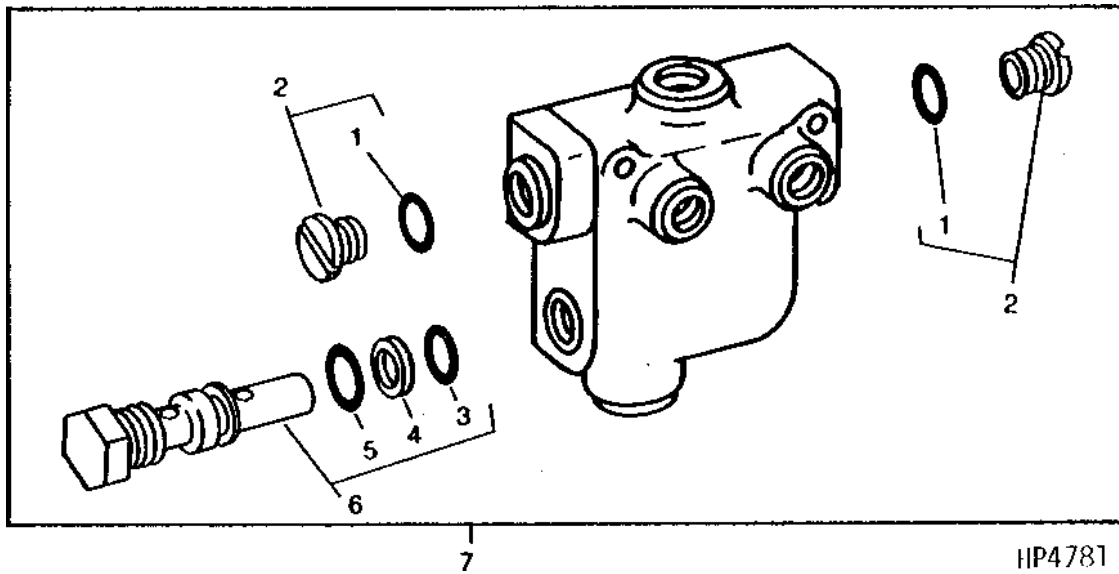
NOTE: QUANTITIES SHOWN ARE FOR ONE UNIT. TWO UNITS USED PER MACHINE

4D3

SIDEHILL LEVELING

FLOW DIVIDER VALVE AND MOUNTING (SIDEHILL)

HP4781 -UN-01JAN94



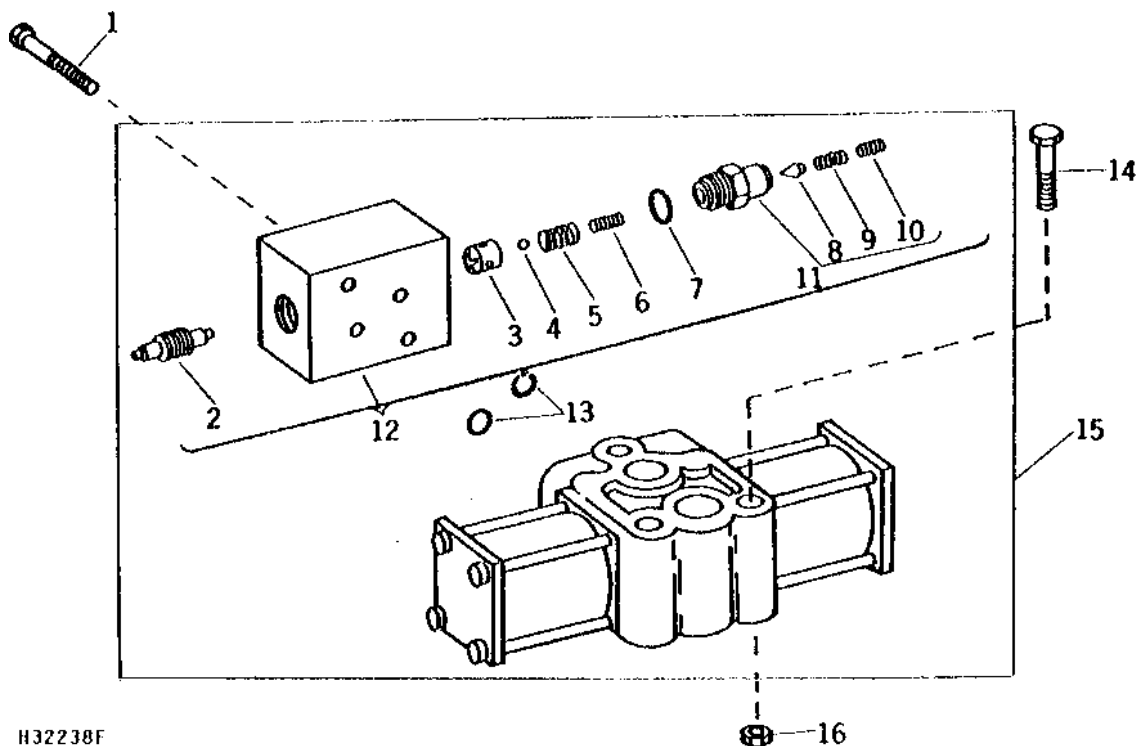
KEY	PART NO.	PART NAME	QTY	SERIAL NO.	9 5 9 5 5 0 5 S 0 H	REMARKS
1	U12547	O-RING	2		X	23.470 X 2.946 MM (0.924" X 0.116")
2	AW14891	FITTING PLUG	2		X	
3	R375R	O-RING	1		X	15.545 X 2.616 MM (0.612" X 0.103")
4	H63357	BACK-UP RING	1		X	15.875 X 20.244 X 1.143 MM (5/8" X 51/64" X 0.045") (RUBBER)
5	T13119	O-RING	1		X	18.720 X 2.616 MM (0.737" X 0.103")
6	AH140071	VALVE STACK	1		X	
7	AH135807	VALVE	1		X	FLOW DIVIDER

4D4

SIDEHILL LEVELING

LEVELING VALVE (SIDEHILL)

H32238F -UN-01JAN94

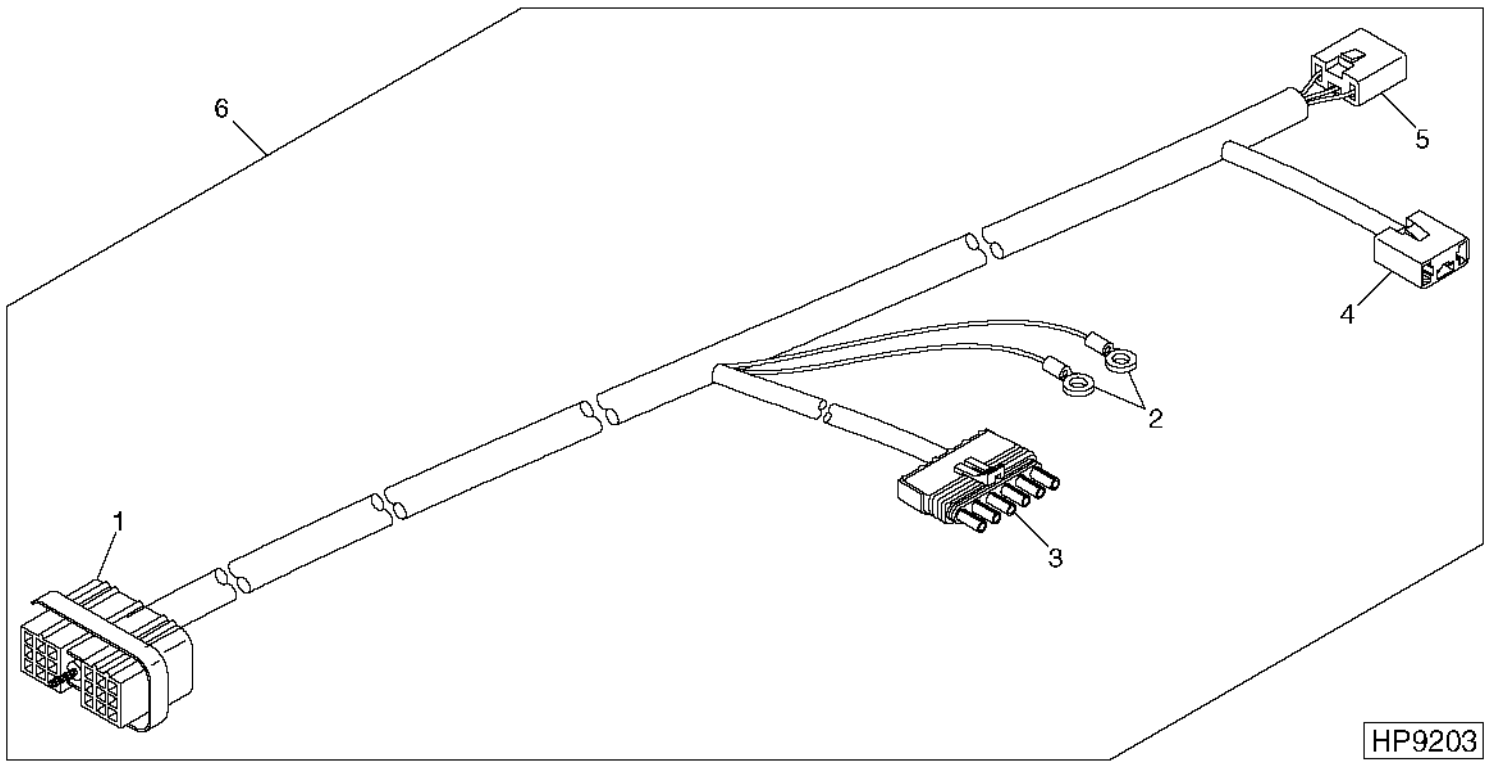


KEY	PART NO.	PART NAME	QTY	SERIAL NO.	REMARKS
1	19H1901	CAP SCREW	2		X 5/16" X 2"
2	SPOOL	1		X
3	POPPET	2		X (KIT AH90688)
4	BALL CHECK	2		X (KIT AH90688)
5	SPRING	2		X (KIT AH90688)
6	SPRING	2		X (KIT AH90688)
7	R26375	O-RING	2		X 16.358 X 2.210 MM (0.644" X 0.087") (KIT AH90688)
8	POPPET	2		X
9	SPRING	2		X
10	SET SCREW	2		X
11	AH136242	KIT	2		X
12	AH137205	VALVE STACK	1		X
13	H81608	O-RING	2		X (KIT AH90687 AND AH90688)
14	19M8039	SCREW	3		X M8 X 80
15	AH135448	VALVE	1		X
16	14M7298	FLANGE NUT	3		X M8
..	AH90687	SEAL KIT	1		X SEAL REPAIR
..	AH90688	TUNE-UP KIT	1		X KIT, SERVICE REPAIR

4D5

SIDEHILL LEVELING

SIDEHILL LEVELING HARNESS
HP9203 -UN-21OCT99

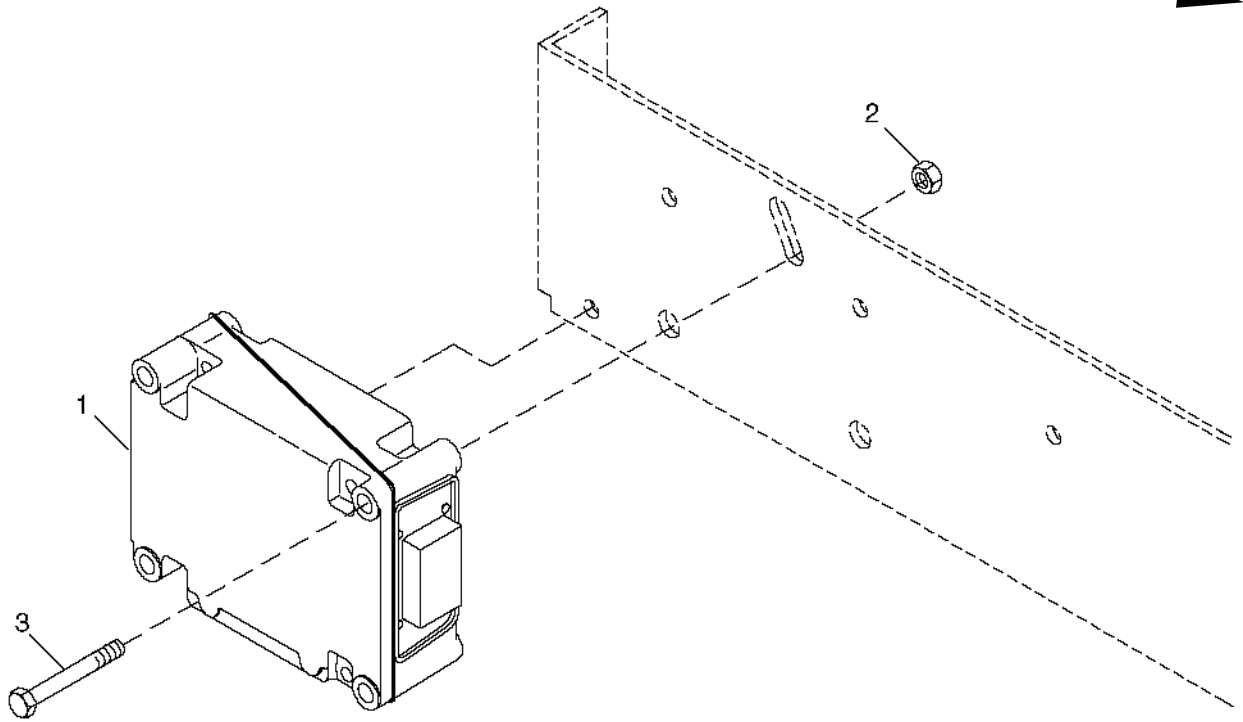


KEY	PART NO.	PART NAME	QTY	SERIAL NO.	9 5 9 5 5 0 5 S 0 H	REMARKS
1	CONNECTOR	1		X	CONTROLLER
2	57M7118	TERMINAL	2		X	VALVE STACK GROUND
3	CONNECTOR	1		X	L.H. MAIN
4	CONNECTOR	1		X	TILT RIGHT COIL
5	CONNECTOR	1		X	TILT LEFT COIL
6	AH166470	WIRING HARNESS	1		X	

4D6

SIDEHILL LEVELING

LEVELING CONTROL ASSEMBLY
HP9192 -UN-26OCT99



HP9192

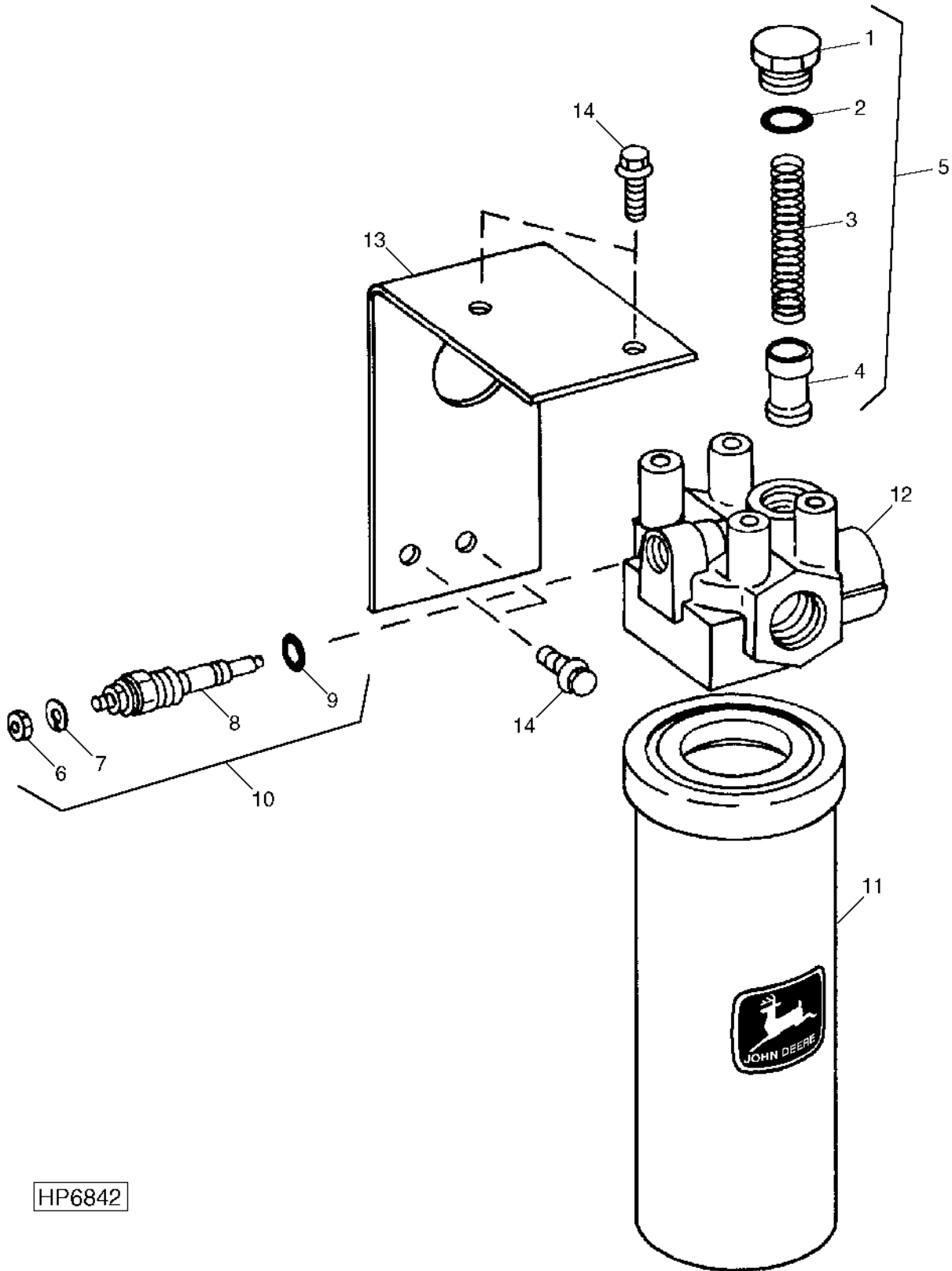
KEY	PART NO.	PART NAME	QTY	SERIAL NO.	9 5 9 5 5 0 5 S 0 H	REMARKS
1	AH158896	MODULE	1		X	LEVELING
2	M63707	LOCK NUT	4		X	
3	19H2151	CAP SCREW	4		X	

MEMORANDA

4D9

DRIVES

ENGINE GEARCASE OIL FILTER ASSEMBLY
HP6842 -UN-27JUL99



HP6842

4D10

DRIVES

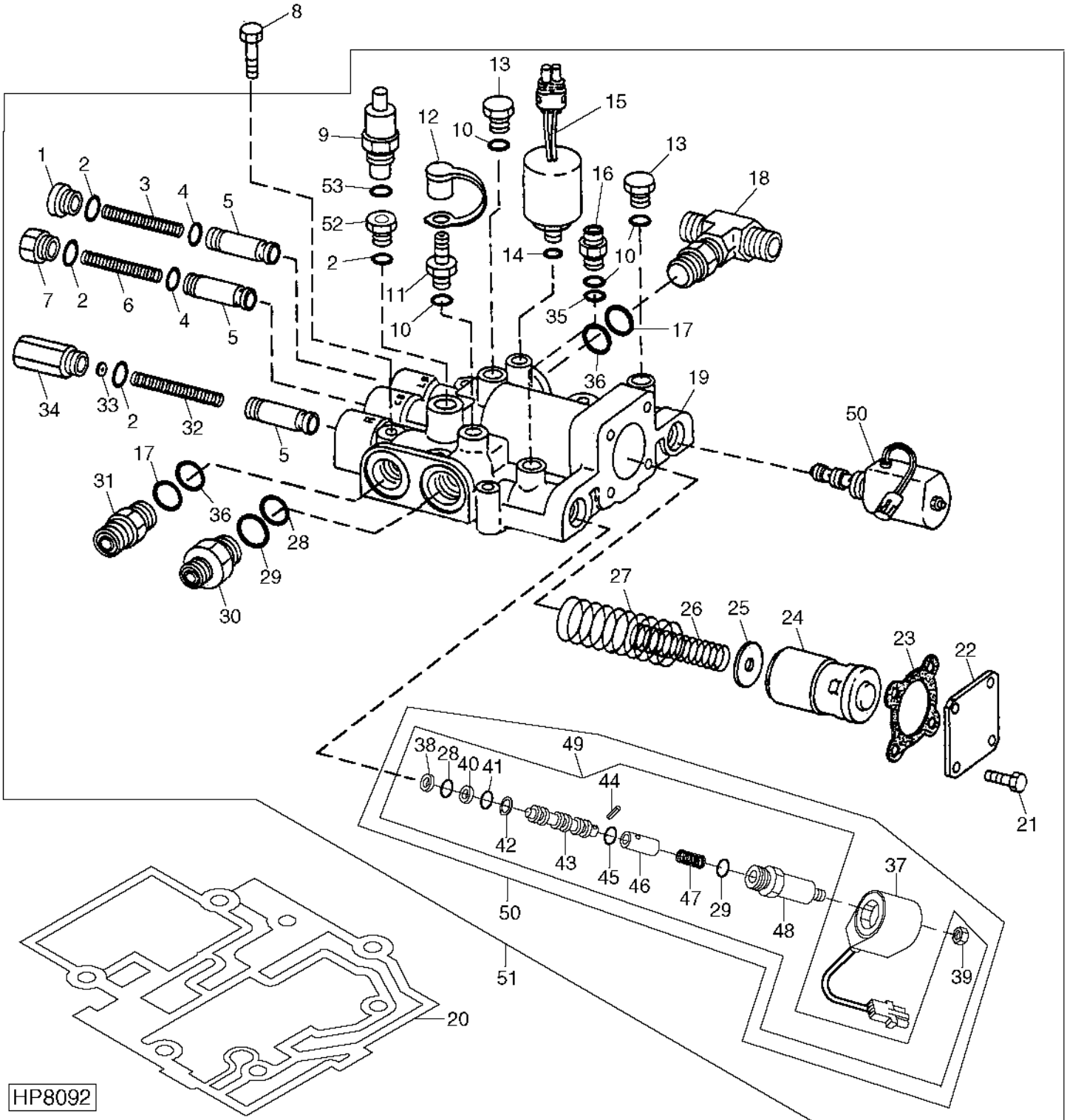
ENGINE GEARCASE OIL FILTER ASSEMBLY - CONTINUED

KEY	PART NO.	PART NAME	QTY	SERIAL NO.	9 5 9 5 5 0 5 S 0 H	REMARKS
1	PLUG	1		X X	
2	R26906	O-RING	1		X X	19.177 X 2.464 MM
3	SPRING	1		X X	
4	PISTON	1		X X	
5	AH128451	VALVE	1		X X	
6	14H631	NUT	1		X X	0.190"
7	12H295	LOCK WASHER	1		X X	0.190"
8	AT37368	SENDER	1		X X	TEMPERATURE
9	R26448	O-RING	1		X X	11.887 X 1.981 MM
10	AH128450	TOUCH SWITCH	1		X X	
11	AH128449	HYDRAULIC FILTER	1		X X	
12	AH139434	HYDRAULIC FILTER	1		X X	
13	H133675	BRACKET	1		X X	
14	19M7784	SCREW	4		X X	M10 X 20

4D11

DRIVES

ENGINE GEARCASE PRESSURE REGULATOR HP8092 -UN-03MAR99



HP8092

4D12

DRIVES

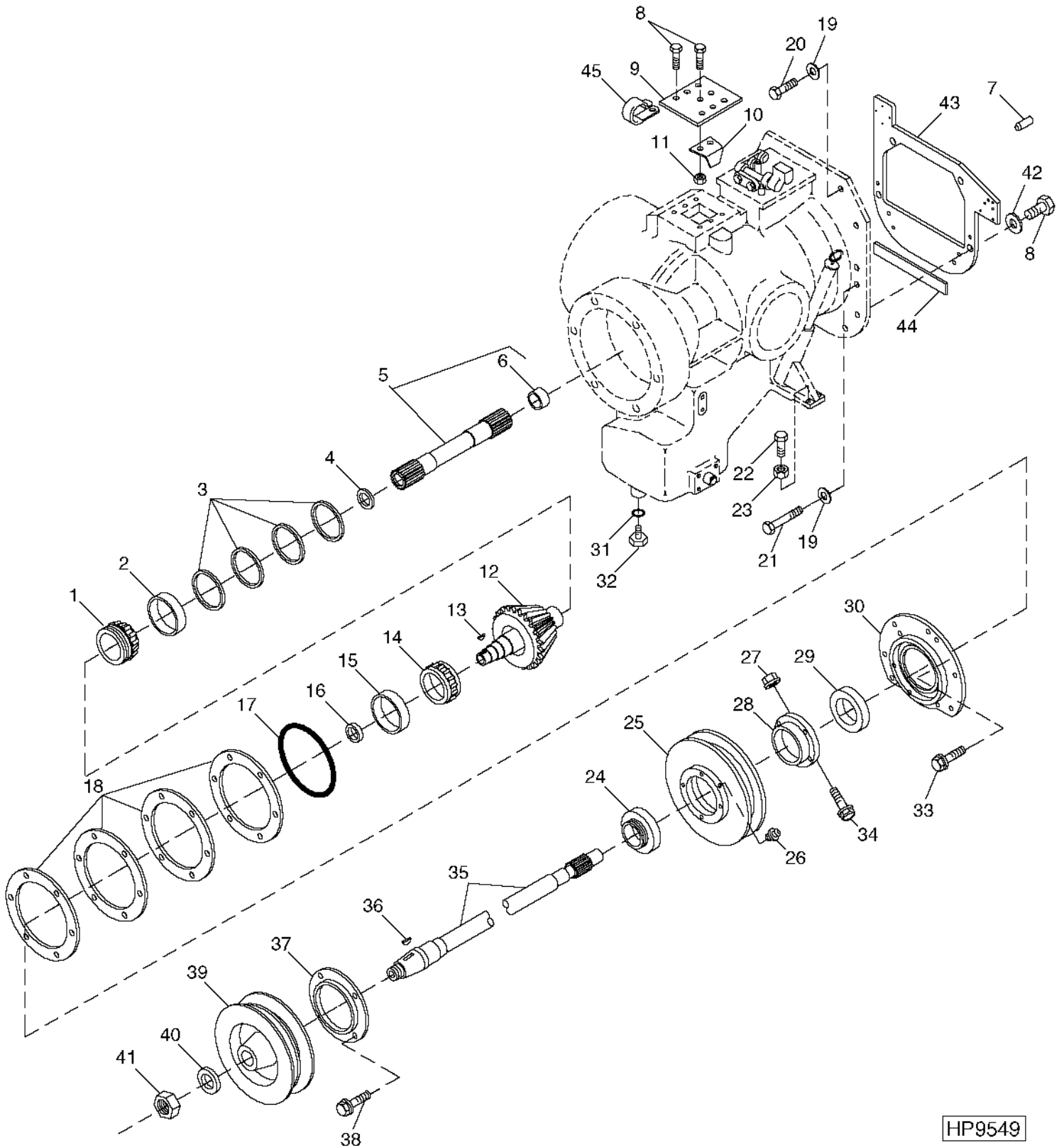
ENGINE GEARCASE PRESSURE REGULATOR - CONTINUED

KEY	PART NO.	PART NAME	QTY	SERIAL NO.	0 H	REMARKS
					9	
					5	
					9	
					5	
					0	
					5	
					S	
					0	
					H	
1	R33138	FITTING	1		X X	
2	R26375	O-RING	4		X X	16.358 X 2.210 MM
3	H89241	SPRING	1		X X	
4	R28776	O-RING	2		X X	12.421 X 1.778 MM
5	R63980	VALVE	3		X X	
6	R56782	SPRING	1		X X	
7	H126026	FITTING	1		X X	
8	19M7979	SCREW	7		X X	M8 X 55
9	AH156144	COOLANT TEMPERATURE SENSOR	1		X X	GEARCASE TEMPERATURE SWITCH
	R78059	ELECTRICAL PLUG	1		X X	(PKG OF 40)
10	R26448	O-RING	4		X X	11.887 X 1.981 MM
11	AH125760	HYD. QUICK-CONNECT COUPLER	1		X X	
12	R77175	COVER	1		X X	
13	R27218	FITTING PLUG	2		X X	
14	R28782	O-RING	1		X X	8.915 X 1.829 MM
15	AH135744	SWITCH	1		X X	
	RE12363	CONNECTOR	1		X X	(PKG OF 40)
	R78063	TERMINAL NIPPLE	1		X X	
	R78060	SOCKET CONTACT	1		X X	
16	38H1160	ADAPTER	1		X X	
17	R26906	O-RING	2		X X	19.177 X 2.464 MM
18	38H1018	TEE FITTING	1		X X	
19	H132970	HOUSING	1		X X	
20	H129328	GASKET	1		X X	
21	19M7867	SCREW	4		X X	M8 X 25
22	H118906	COVER	1		X X	
23	H129765	GASKET	1		X X	
24	T77514	PISTON	1		X X	
25	24M7101	WASHER	1		X X	0.433" X 1.339" X 0.118"
26	R47449	SPRING	1		X X	
27	T45132	SPRING	1		X X	
28	T77857	O-RING	3		X X	
29	U12547	O-RING	3		X X	23.470 X 2.946 MM
30	38H1175	ADAPTER	1		X X	
31	38H1162	ADAPTER	1		X X	
32	T60314	SPRING	1		X X	
33	R33521	SHIM	AR		X X	
34	H126028	FITTING	1		X X	
35	T77613	O-RING	1		X X	
36	T77932	O-RING	2		X X	
37	AH128654	ELECTRICAL COIL	1		X X	
38	R42926	BACK-UP RING	1		X X	
39	M63707	LOCK NUT	1		X X	
40	R45187	BACK-UP RING	1		X X	
41	R45638	O-RING	1		X X	
42	R46701	SNAP RING	1		X X	
43	SPOOL	1		X X	
44	34H227	SPRING PIN	1		X X	
45	N31772	O-RING	1		X X	
46	PLUNGER	1		X X	
47	R64698	SPRING	1		X X	
48	GUIDE	1		X X	
49	AH130949	SOLENOID VALVE	1		X X	
50	AH128655	SOLENOID VALVE	2		X X	
51	AH165248	SHUT-OFF VALVE	1		X X	PRESSURE REGULATOR
52	T28256	COUPLING	1		X X	
53	51M7040	O-RING	1		X X	9.300 X 2.200 MM

4D13

DRIVES

MAIN GEARCASE
HP9549 -UN-07FEB00



HP9549

4D14

DRIVES

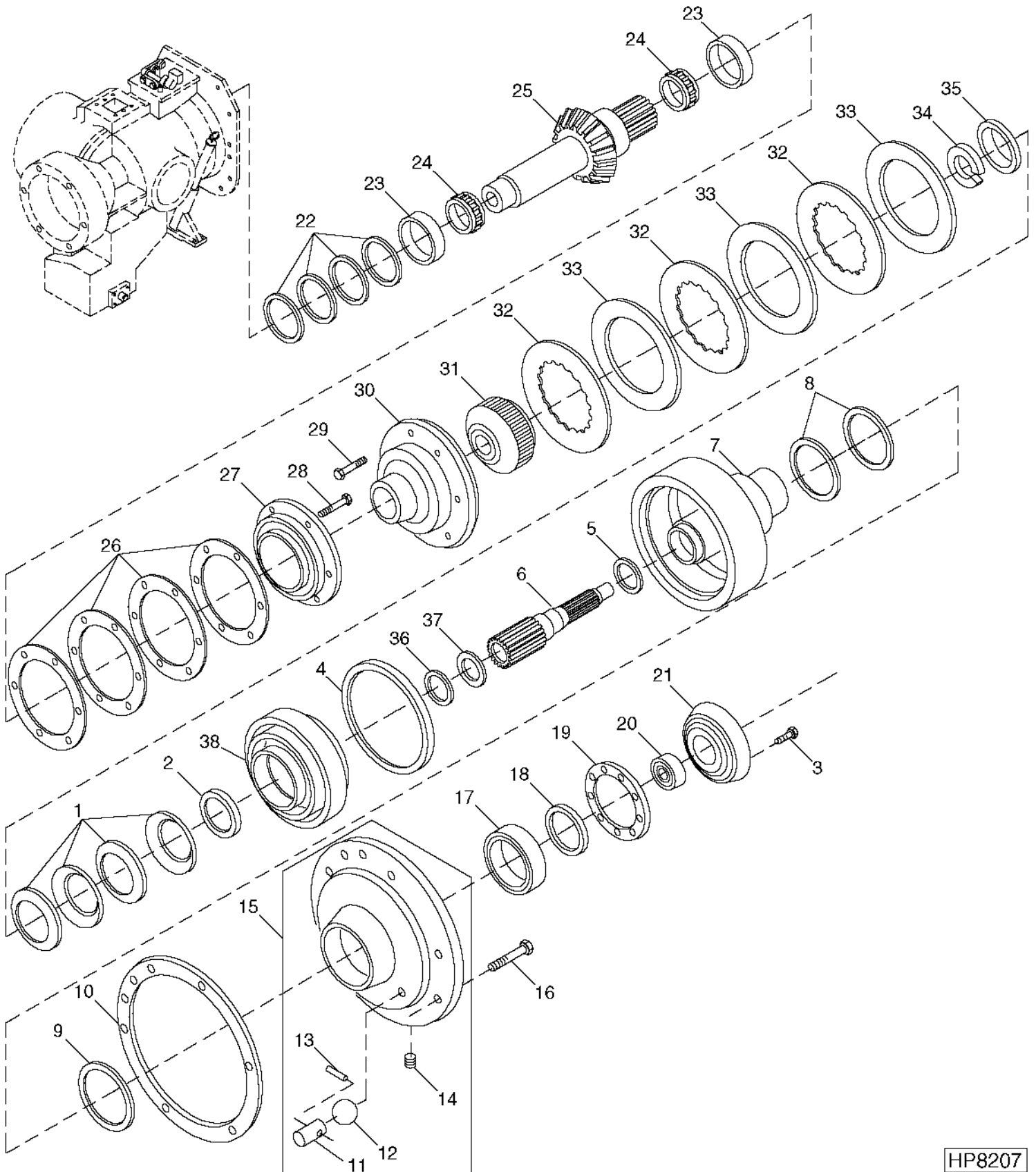
MAIN GEARCASE - CONTINUED

KEY	PART NO.	PART NAME	QTY	SERIAL NO.	9 5 9 5 5 0 5 S 0 H		REMARKS
1	DE18609	ROLLER BEARING	1		X	X	
2	CE18403	ROLLER BEARING	1		X	X	
3	L29041	SHIM	AR		X	X	0.08(MM)
	L29042	SHIM	AR		X	X	0.13(MM)
	L29043	SHIM	AR		X	X	0.25(MM)
	L29044	SHIM	AR		X	X	0.50(MM)
4	P46770	SNAP RING	1		X	X	
5	AH139118	SHAFT	1		X	X	
6	R43305	BUSHING	1		X	X	
7	H79910	DOWEL PIN	2		X	X	
8	19M7866	SCREW	10		X	X	M8 X 20
9	H127159	COVER	1		X	X	USE TY24345
10	H130140	TROUGH	1		X	X	
11	14M7396	LOCK NUT	2		X	X	M8
12	DE18718	GEAR	1		X	X	(MATCHED SET, 37 TEETH, 56 TEETH)
13	26H105	SHAFT KEY	1		X	X	3/8" X 2-1/8"
14	JD8162	BEARING CONE	1		X	X	
15	JD8206	BEARING CUP	1		X	X	
16	AT28975	SEAL	1		X	X	
17	H125838	O-RING	1		X	X	177.165 X 5.334 MM
18	H125740	SHIM	AR		X	X	0.08(MM)
	H125741	SHIM	AR		X	X	0.13(MM)
	H125742	SHIM	AR		X	X	0.25(MM)
	H125743	SHIM	AR		X	X	0.50(MM)
19	24M7242	WASHER	4		X	X	21.400 X 42 X 5 MM
20	19H1782	CAP SCREW	2		X	X	3/4" X 2-1/4"
21	19H2000	CAP SCREW	2		X	X	3/4" X 5"
22	19M7791	SCREW	4		X	X	M12 X 40
23	14M7299	FLANGE NUT	4		X	X	M12
24	AH151653	BALL BEARING	1		X	X	
25	H139986	SHEAVE	1		X	X	
26	JD7797	LUBRICATION FITTING	1		X	X	
27	14M7296	FLANGE NUT	2		X	X	M10
28	H101878	HUB	1		X	X	
29	AH117643	SEAL	1		X	X	
30	H144834	HOUSING	1		X	X	
31	R26906	O-RING	1		X	X	19.177 X 2.464 MM
32	R27474	DRAIN PLUG	1		X	X	
33	19M7835	SCREW	6		X	X	M10 X 35
34	19M7812	SCREW	2		X	X	M10 X 100
35	H129934	SHAFT	1		X	X	
36	26M6787	SHAFT KEY	1		X	X	10 X 32 MM
37	H75385	PRESSED FLANGED HOUSING	1		X	X	
38	19M8306	SCREW	4		X	X	M12 X 50
39	H129935	SHEAVE	1		X	X	
40	24H1481	WASHER	1		X	X	1-5/32" X 2" X 0.134"
41	H82619	LOCK NUT	1		X	X	28.575 MM
42	24M7055	WASHER	4		X	X	8.400 X 16 X 1.600 MM
43	H170303	COVER	1		X	X	
44	H88771	ISOLATOR	1		X		
45	AH90990	CLIP	1		X	X	
..	TY24345	LIQUID GASKET	1		X	X	(3 OZ.)
..	DE18716	GEAR CASE	1		X	X	USE WITH REGULAR DUTY HYDRO, LESS DIPSTICK

4D15

DRIVES

MAIN GEARCASE
HP8207 -UN-14MAY99



HP8207

4D16

DRIVES

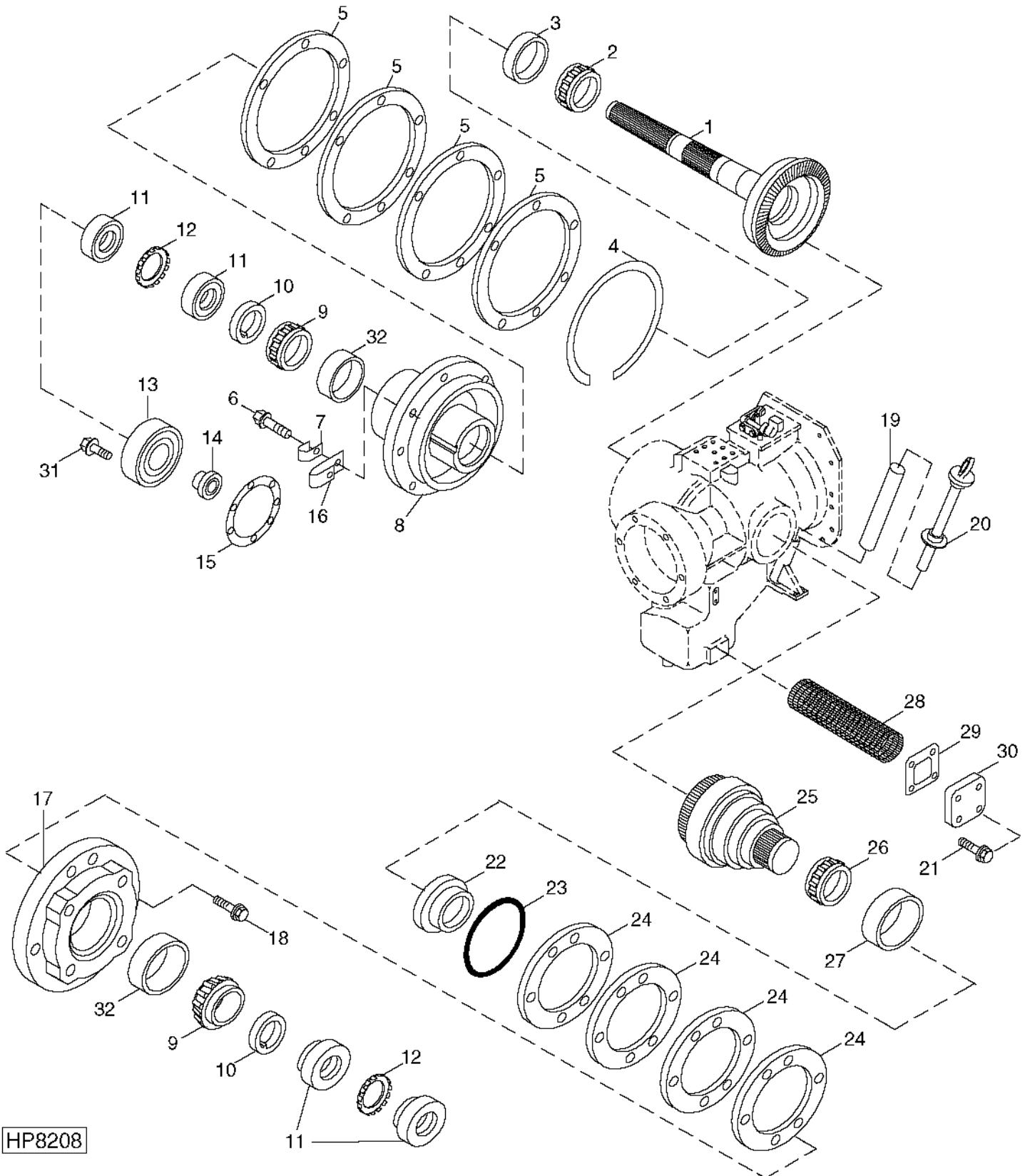
MAIN GEARCASE - CONTINUED

KEY	PART NO.	PART NAME	QTY	SERIAL NO.	9550		REMARKS
					0	H	
1	T50415	DISK SPRING	4		X	X	
2	T62508	WASHER	1		X	X	
3	19M7863	SCREW	8		X	X	M6 X 25
4	T62509	WASHER	1		X	X	
5	CE17940	SNAP RING	1		X	X	
6	CE17888	DRIVE SHAFT	1		X	X	
7	CE18181	DRUM	1		X	X	
8	R77764	RING	2		X	X	
9	R76937	WASHER	1		X	X	
10	H125354	GASKET	1		X	X	
11	R68824	SEAT	1		X	X	
12	400R	BALL	1		X	X	
13	H111474	PIN	1		X	X	
14	15H559	PIPE PLUG	1		X	X	
15	AH120737	HOUSING	1		X	X	
16	19M7835	SCREW	6		X	X	M10 X 35
17	JD8676	BALL BEARING	1		X	X	
18	T14323	SNAP RING	1		X	X	
19	H125356	GASKET	1		X	X	
20	AH158595	SEAL	1		X	X	
21	H148769	HOUSING	1		X	X	
22	H119028	SHIM	1		X	X	0.08(MM)
	H119029	SHIM	AR		X	X	0.13(MM)
	H119030	SHIM	AR		X	X	0.25(MM)
	H119031	SHIM	AR		X	X	0.50(MM)
23	JD8206	BEARING CUP	2		X	X	
24	JD8162	BEARING CONE	2		X	X	
25	DE18568	GEAR	1		X	X	(MATCHED SET, 22 TEETH, 33 TEETH)
26	H125740	SHIM	1		X	X	0.08 (MM)
	H125741	SHIM	AR		X	X	0.13 (MM)
	H125742	SHIM	AR		X	X	0.25 (MM)
	H125743	SHIM	AR		X	X	0.50 (MM)
27	H125733	HOUSING	1		X	X	
28	19M7835	SCREW	6		X	X	M10 X 35
29	19M7786	SCREW	6		X	X	M10 X 30
30	H144762	HUB	1		X	X	
31	DE19018	HUB	1		X	X	
32	AH125490	CLUTCH DISK	3		X	X	
33	T70309	PLATE	3		X	X	
34	T50409	SNAP RING	1		X	X	
35	T49676	RETAINER	1		X	X	
36	40M7090	SNAP RING	1		X	X	
37	CE18399	WASHER	1		X	X	
38	H128937	PISTON	1		X		
..	TY9374	SEALANT	1		X		(6 ML)
..	DE18716	GEAR CASE	1		X	X	REGULAR DUTY HYDRO, LESS DIPSTICK

4D17

DRIVES

MAIN GEARCASE
HP8208 -UN-23JUL99



HP8208

4D18

DRIVES

MAIN GEARCASE - CONTINUED

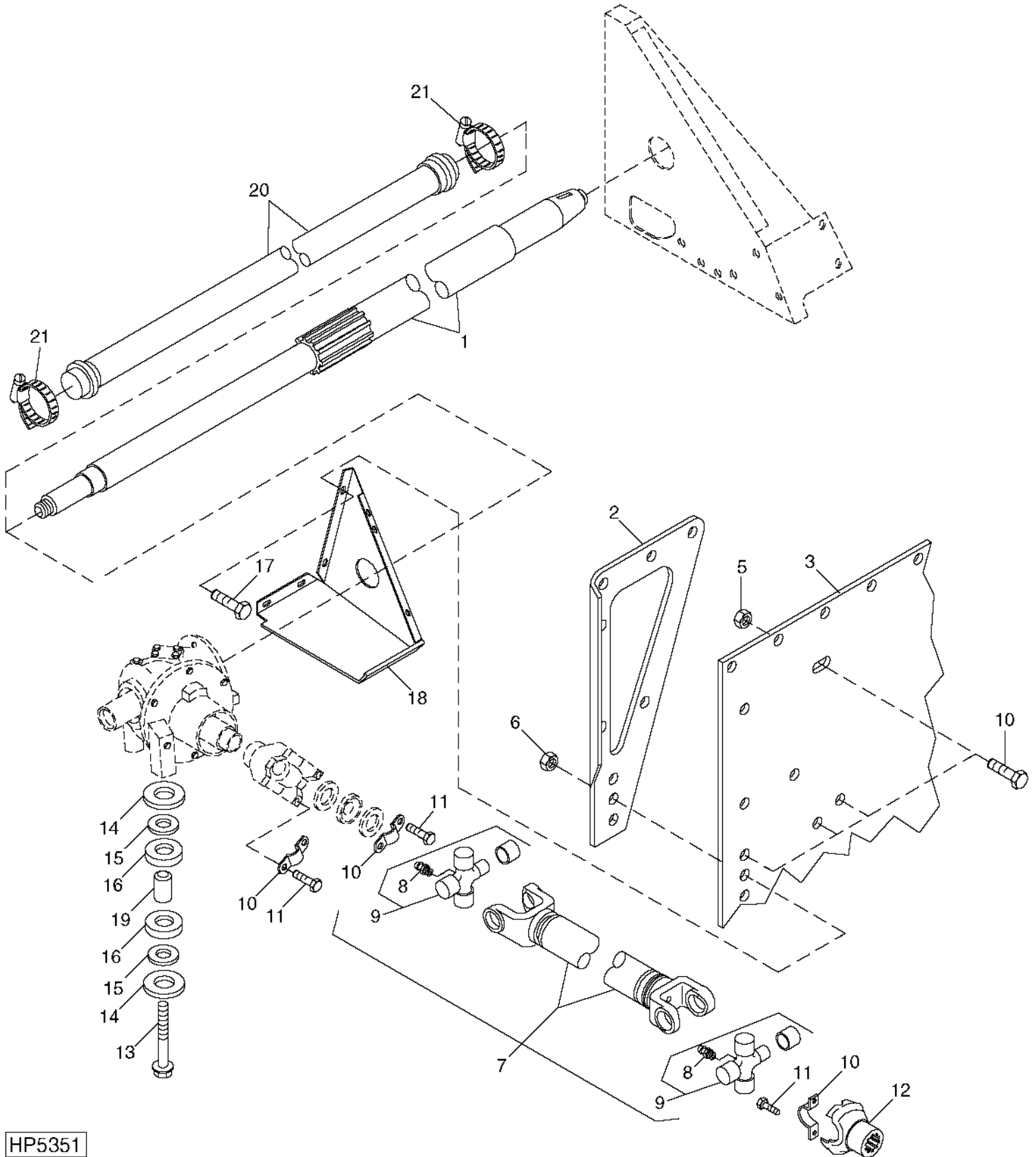
KEY	PART NO.	PART NAME	QTY	SERIAL NO.	9 5 9 5 5 0 5 S 0 H		REMARKS
1	DE18718	GEAR	1		X	X	(MATCHED SET, 37 TEETH, 56 TEETH)
2	JD9075	BEARING CONE	1		X	X	
3	JD9132	BEARING CUP	1		X	X	
4	H125839	O-RING	1		X	X	
5	CE17450	SHIM	1		X	X	0.08(MM)
	CE17451	SHIM	AR		X	X	0.13(MM)
	CE17452	SHIM	AR		X	X	0.25(MM)
	CE17453	SHIM	AR		X	X	0.50(MM)
6	19M7790	SCREW	7		X	X	M12 X 35
7	AH96317	CLIP	1		X	X	
8	CE17844	HOUSING	1		X	X	
9	JD9007	BEARING CONE	2		X	X	
10	H110800	LOCK WASHER	2		X	X	
11	H122650	LOCK NUT	4		X	X	
12	H110801	LOCK WASHER	2		X	X	
13	H148769	HOUSING	1		X	X	
14	AH158595	SEAL	1		X	X	
15	H125356	GASKET	1		X	X	
16	AH117301	CLAMP	1		X	X	
17	H125738	HOUSING	1		X	X	
18	19M7805	SCREW	5		X	X	M10 X 45
19	H132995	TUBE	1		X	X	
20	AH151652	DIPSTICK	1		X		
21	19M7868	SCREW	4		X	X	M8 X 30
22	H125837	OIL CUP	1		X	X	
23	R72032	O-RING	1		X	X	
24	H125734	SHIM	1		X	X	0.08(MM)
	H125735	SHIM	AR		X	X	0.13(MM)
	H125736	SHIM	AR		X	X	0.25(MM)
	H125737	SHIM	AR		X	X	0.50(MM)
25	DE18568	GEAR	1		X	X	(MATCHED SET, 22 TEETH, 33 TEETH) U/W REGULAR DUTY HYDRO
26	JD9075	BEARING CONE	1		X	X	
27	JD9132	BEARING CUP	1		X	X	
28	CE18104	SCREEN	1		X	X	OIL
29	H126792	GASKET	1		X	X	
30	H126793	COVER	1		X	X	
31	19M7863	SCREW	8		X	X	M6 X 25
32	JD8206	BEARING CUP	2		X	X	
..	DE18716	GEAR CASE	1		X	X	USE WITH REGULAR DUTY HYDRO, LESS DIPSTICK

4D19

DRIVES

PRIMARY COUNTERSHAFT SUPPORTS AND GEARCASE MOUNTING

HP5351 -UN-17AUG99



HP5351

4D20

DRIVES

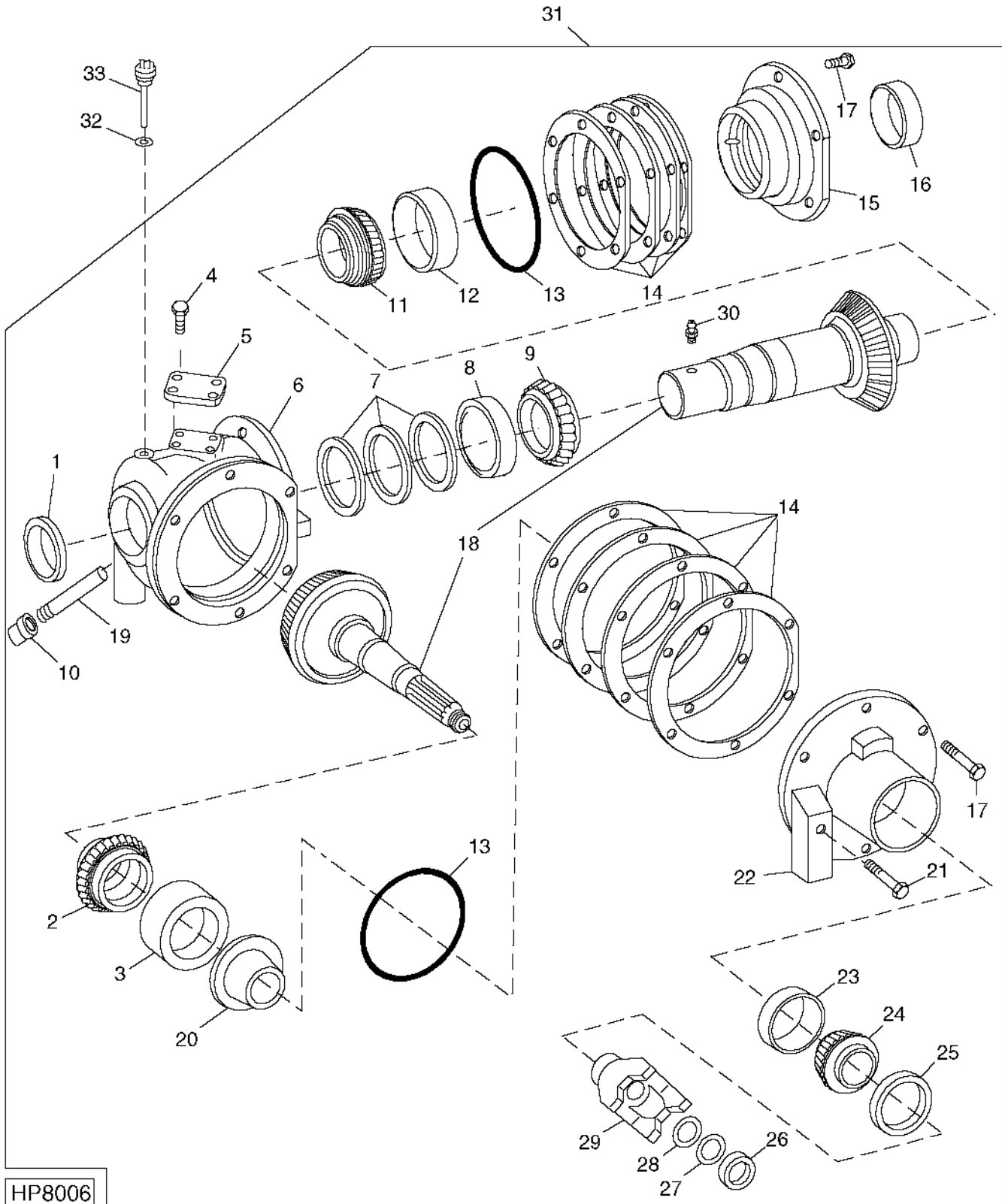
PRIMARY COUNTERSHAFT SUPPORTS AND GEARCASE MOUNTING - CONTINUED

KEY	PART NO.	PART NAME	QTY	SERIAL NO.	REMARKS
1	AH122240	JACKSHAFT	1		
2	H131228	ANGLE	1		
3	H147910	SHEET	1		
4	19M7866	SCREW	4	M8 X 20	
5	14M7298	FLANGE NUT	4	M8	
6	14M7296	FLANGE NUT	5	M10	
7	AH125690	DRIVE SHAFT	1		
8	JD7797	LUBRICATION FITTING	2		
9	AH128226	UNIVERSAL JOINT	2		
10	R85168	CLAMP	4		
11	R85169	SELF-LOCKING SCREW	8	9.525 X 19.050 MM (3/8" X 3/4")	
12	H130409	YOKE	1		
13	19M7827	SCREW	2	M16 X 80	
14	H163726	WASHER	2	16.250 X 76 X 5 MM (0.640" X 2.992" X 0.197")	
15	H148132	BUSHING	4		
16	H148133	RETAINER	4		
17	19M7785	SCREW	5	M10 X 25	
18	AH135565	SHEET	1		
19	H148134	SPACER	2	16.130 X 19.930 X 41.900 MM (0.635" X 0.785" X 1.650")	
20	AH163803	KIT	1	(INCLUDES (2) TY22494) (SUB FOR AH141390)	
21	TY22494	HOSE CLAMP	2		

4D21

DRIVES

PRIMARY COUNTERSHAFT GEARCASE
HP8006 -UN-29APR99



4D22

DRIVES

PRIMARY COUNTERSHAFT GEARCASE - CONTINUED

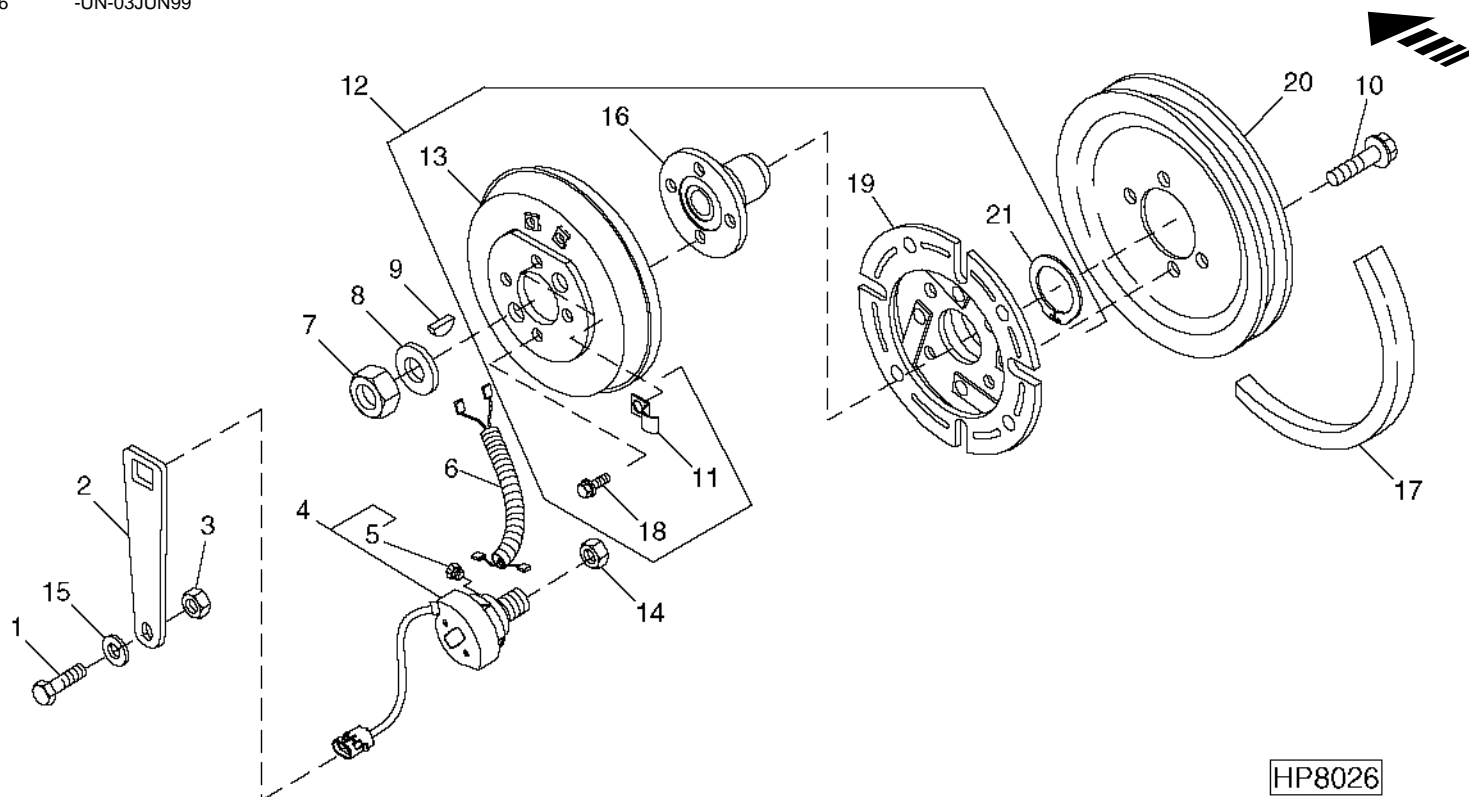
KEY	PART NO.	PART NAME	QTY	SERIAL NO.	0 H	REMARKS
					9	
					5	
					9 5	
					5 0	
					5 S	
					0 H	
1	AH137772	SEAL	1		X X	
2	JD9078	BEARING CONE	1		X X	
3	JD8255	BEARING CUP	1		X X	
4	19M7866	SCREW	4		X X	M8 X 20
5	H75267	COVER	1		X X	
6	H145001	GEAR CASE	1		X X	
7	T34354	SHIM	AR		X X	0.05MM (0.002")
	T34355	SHIM	AR		X X	0.13MM (0.005")
	T34356	SHIM	AR		X X	0.25MM (0.010")
8	JD8210	BEARING CUP	1		X X	
9	R120461	BEARING CONE	1		X X	
10	15H3	FITTING	1		X X	1/2"
11	JD7378	BEARING CONE	1		X X	
12	JD7292	BEARING CUP	1		X X	
13	H125838	O-RING	1		X X	
14	H114226	SHIM	2		X X	0.080MM (0.003") ONE PER SIDE
	H114227	SHIM	AR		X X	0.13MM (0.005")
	H114228	SHIM	AR		X X	0.25MM (0.010")
	H118927	SHIM	AR		X X	0.50MM (0.020")
15	H126564	HOUSING	1		X X	
16	E56866	SEAL	1		X X	
17	19M7786	SCREW	6		X X	M10 X 30
18	AH154701	GEAR	1		X X	MATCHED SET, 41-TOOTH, 41-TOOTH
19	29H217	THREADED NIPPLE	1		X X	1/2"
20	H129844	RETAINER	5		X X	
21	19M7807	SCREW	1		X X	M10 X 60
22	CE18400	HOUSING	1		X X	
23	JD7418	BEARING CUP	1		X X	
24	JD7395	BEARING CONE	1		X X	
25	AH137771	SEAL	1		X X	
26	N139123	NUT	1		X X	
27	H118920	LOCK WASHER	1		X X	
28	H118919	LOCK WASHER	1		X X	
29	H121681	YOKE	1		X X	
30	H125838	O-RING	1		X X	
31	AH154768	GEAR CASE	1		X X	LESS DIPSTICK
32	R26375	O-RING	1		X X	
33	AH141022	DIPSTICK	1		X X	
..	25M3827	GROOVE PIN	1		X X	3 X 8 MM, (INSERT THROUGH SERIAL NUMBER PLATE AND INTO GEARCASE)

4D23

DRIVES

HEADER ELECTROMAGNETIC CLUTCH

HP8026 -UN-03JUN99



KEY	PART NO.	PART NAME	QTY	SERIAL NO.	REMARKS
					9
					5
					9 5
					5 0
					5 S
					0 H
1	19M7775	SCREW	1		X X M6 X 16
2	H171030	STRAP	1		X X
3	14M7303	FLANGE NUT	1		X X M6
4	AH162068	CARBON BRUSH HOLDER	1		X X
5	N10145	FITTING PLUG	1		X X
6	AH134207	WIRING HARNESS	1		X X
7	H165447	LOCK NUT	1		X X M30
8	24H1668	WASHER	1		X X 1-17/64" X 2-1/4" X 0.134"
9	26H105	SHAFT KEY	1		X X WOODRUFF
10	19M7788	SCREW	4		X X M12 X 25
11	AH77279	CLIP	1		X X
12	AH167942	CLUTCH	1		X X (SUB FOR AH154805)
13	AH121658	FIELD WINDING COIL	1		X X
14	14H809	NUT	1		X X 1/2"
15	24M7207	WASHER	1		X X 8.400 X 24 X 2 MM
16	H168499	HUB	1		X X
17	H151952	BELT	1		X X STANDARD CAPACITY
	H155998	BELT	1		X X HI CAPACITY
18	19M7788	SCREW	4		X X M12 X 25
19	AH161981	ARMATURE	1		X X (SUB AH167942)
20	H161270	SHEAVE	1		X X STANDARD CAPACITY
	H161293	SHEAVE	1		X X HI CAPACITY
21	T44824	SNAP RING	1		X X

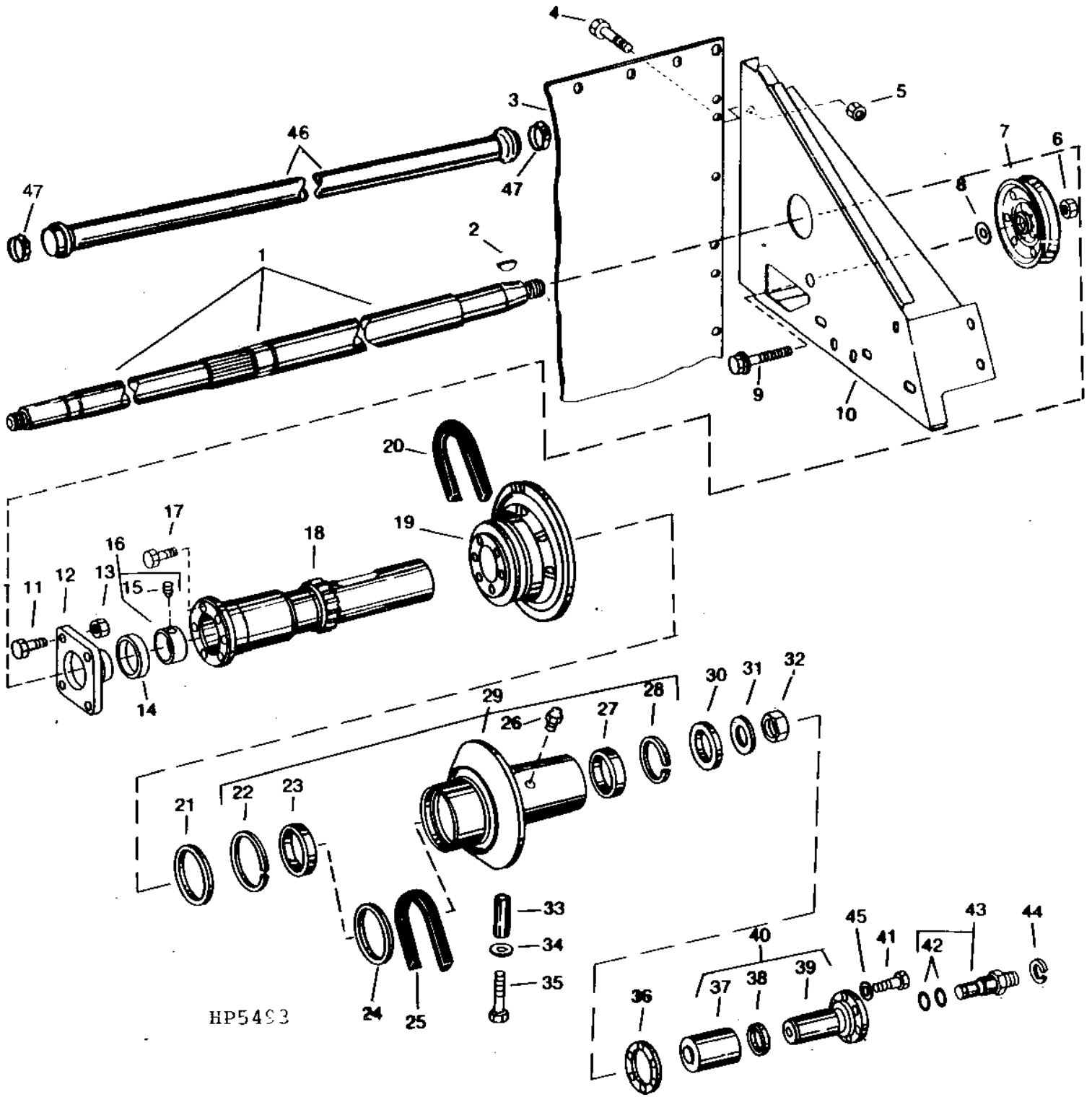
MEMORANDA

4D24

DRIVES

PRIMARY COUNTERSHAFT DRIVE SHAFT AND VARIABLE SHEAVE

HP5493 -UN-01JAN94



4D25

DRIVES

PRIMARY COUNTERSHAFT DRIVE SHAFT AND VARIABLE SHEAVE - CONTINUED

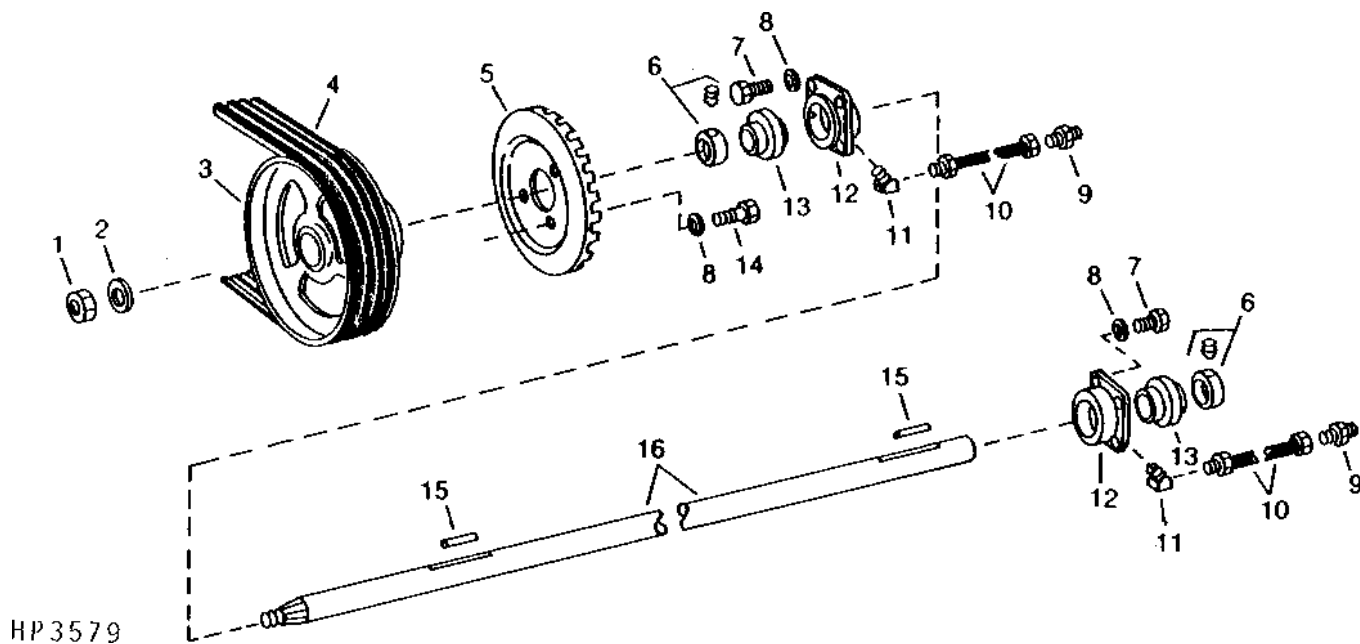
KEY	PART NO.	PART NAME	QTY	SERIAL NO.	9550		REMARKS
					0	H	
1	H163279	SHAFT	1		X	X	PRIMARY JACKSHAFT, NARROW
2	26H114	SHAFT KEY	1		X	X	1/2" X 2-3/4"
3	H147911	SHEET	1		X	X	
4	19M7866	SCREW	AR		X	X	M8 X 20
5	14M7298	FLANGE NUT	AR		X	X	M8
6	14M7291	FLANGE NUT	1		X	X	M16
7	AH97031	IDLER	1		X	X	
8	24M7053	WASHER	AR		X	X	17 X 30 X 3 MM
9	19M7824	SCREW	1		X	X	M16 X 60
10	AH135077	SHEET	1		X	X	R.H. UPPER
11	19M7786	SCREW	4		X	X	M10 X 30
12	H115930	HOUSING	1		X	X	
13	14M7296	FLANGE NUT	4		X	X	M10
14	JD8669	BALL BEARING	1		X	X	
15	22H821	SET SCREW	1		X	X	1/2" X 1/2"
16	JD8668	ECCENTRIC LOCKING COLLAR	1		X	X	
17	19M7835	SCREW	6		X	X	M10 X 35
18	H127196	HOUSING	1		X	X	
19	H115755	HALF SHEAVE	1		X	X	
20	H128010	BELT	1		X	X	PRIMARY TO SECONDARY COUNTERSHAFT DRIVE
21	AH94853	SEAL	1		X	X	
22	H93631	SNAP RING	1		X	X	
23	H93630	BUSHING	1		X	X	
24	H118617	BUMPER	1		X	X	USED FOR SLOW SPEED CYLINDER DRIVE ONLY
25	H162629	BELT	1		X	X	
26	JD7798	LUBRICATION FITTING	2		X	X	
27	H148131	BUSHING	1		X	X	
28	P48691	SNAP RING	1		X	X	
29	AH141820	HALF SHEAVE	1		X	X	
30	AH87141	SEAL	1		X	X	
31	24H1668	WASHER	1		X	X	1-17/64" X 2-1/4" X 0.134"
32	H165447	LOCK NUT	1		X	X	M30
33	H110237	PIN	1		X	X	
34	24M7178	WASHER	2		X	X	10.500 X 30 X 2.500 MM
35	19M7784	SCREW	2		X	X	M10 X 20
36	H102533	SHIM	AR		X	X	0.762 MM (0.030")
37	BARREL	1		X	X	
38	H97306	SEAL	1		X	X	
39	PISTON	1		X	X	
40	AH125193	CYLINDER	1		X	X	
41	19H1732	CAP SCREW	6		X	X	3/8" X 1-1/4"
42	R27564	O-RING	2		X	X	
43	AH139238	UNION FITTING	1		X	X	
44	H135292	SNAP RING	1		X	X	
45	12H304	LOCK WASHER	6		X	X	3/8"
46	AH163802	KIT	1		X	X	(INCLUDES (2) TY22494) FOR COUNTERSHAFT DIRT PROTECTION
47	TY22494	HOSE CLAMP	1		X	X	

4E1

DRIVES

SINGLE RANGE CYLINDER DRIVE

HP3579 -UN-01JAN94



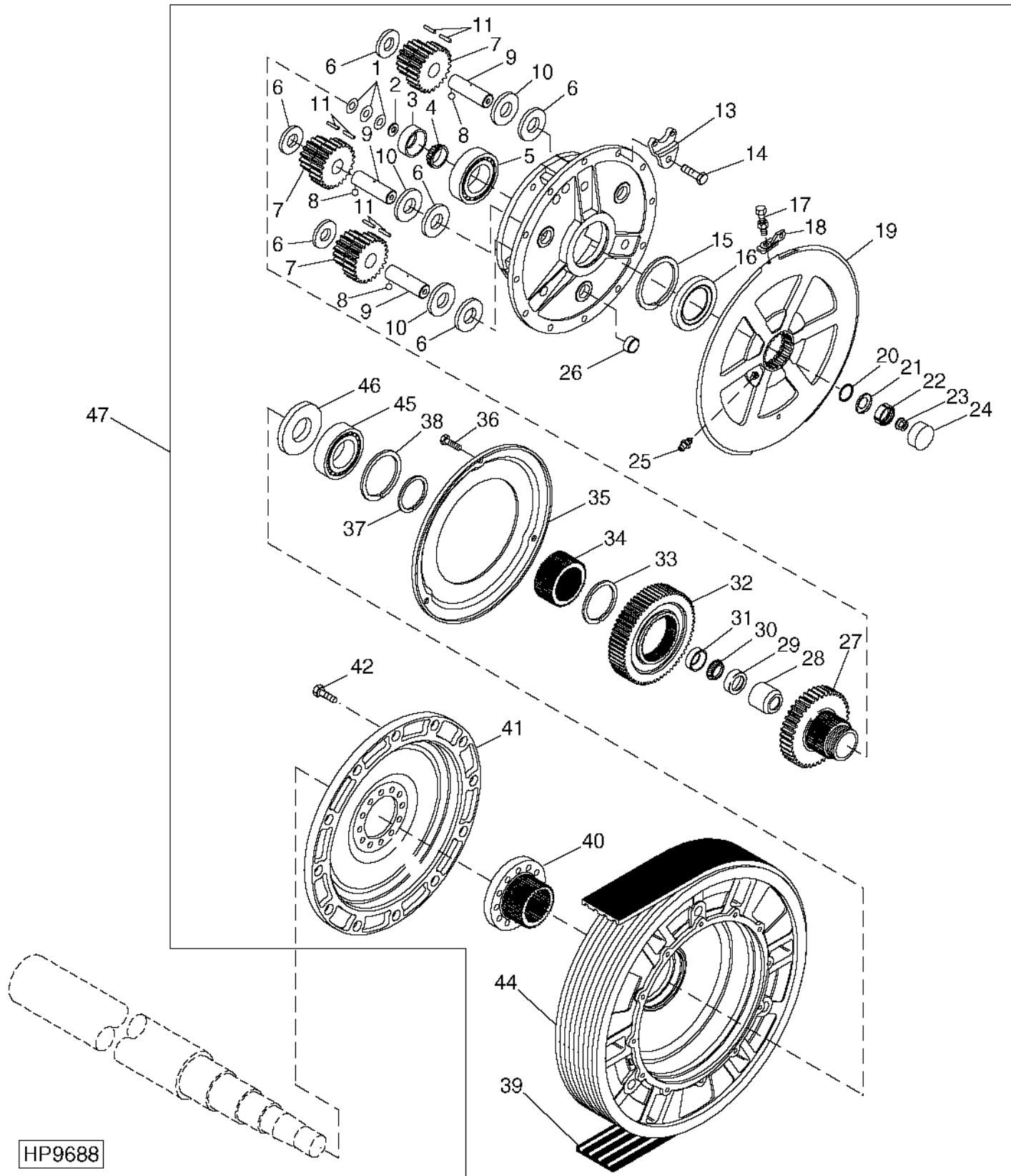
KEY	PART NO.	PART NAME	QTY	SERIAL NO.	9 5 9 5 5 0 5 S 0 H	REMARKS
1	H138085	LOCK NUT	1		X X	
2	24H1509	WASHER	1		X X	1-25/64" X 2-1/2" X 0.194"
3	H93645	SHEAVE	1		X X	
4	H115881	BELT	1		X X	
5	H128297	WHEEL	1		X X	
6	JD10342	ECCENTRIC LOCKING COLLAR	1		X X	
7	19H1732	CAP SCREW	4		X X	3/8" X 1-1/4"
8	12H304	LOCK WASHER	4		X X	3/8"
9	JD7759	LUBRICATION FITTING	2		X X	
10	AH121009	HOSE	2		X X	
11	JD7845	ELBOW FITTING	2		X X	
12	H99149	HOUSING	2		X X	
13	JD10343	BALL BEARING	2		X X	
14	19H1936	CAP SCREW	3		X X	3/8" X 3/4"
15	UNIVERSAL DRIVESHAFT	2		X X	(CUT FROM H64376)
16	H145970	SHAFT	1		X X	

MEMORANDA

4E2

DUAL-RANGE CYLINDER DRIVE GEAR CASE

HP9688 -UN-11APR00



HP9688

4E3

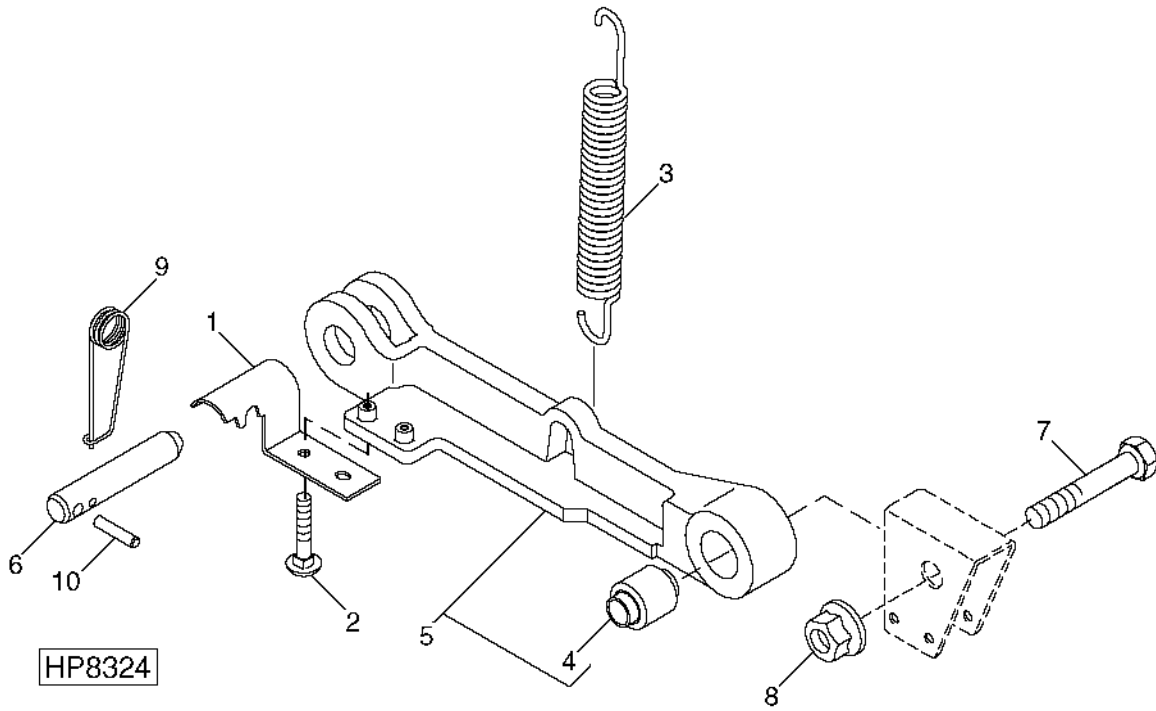
DRIVES

DUAL-RANGE CYLINDER DRIVE GEAR CASE - CONTINUED

KEY	PART NO.	PART NAME	QTY	SERIAL NO.	9 5 9 5 5 0 5 S 0 H		REMARKS
1	H111260	SHIM	AR		X	X	0.05 THICK
	H111261	SHIM	AR		X	X	0.10 THICK
	H111262	SHIM	AR		X	X	0.25 THICK
2	H111041	WASHER	1		X	X	
3	JD8239	BEARING CUP	1		X	X	
4	JD8960	BEARING CONE	1		X	X	
5	AH108801	BALL BEARING	1		X	X	
6	R71758	THRUST WASHER	6		X	X	
7	H113947	PINION	3		X	X	
8	H871R	BALL	3		X	X	
9	H113627	PINION SHAFT	3		X	X	
10	R71756	WASHER	3		X	X	
11	R84261	PIN	132		X	X	
12	H118082	COVER	1		X	X	
13	H127855	RETAINER	3		X	X	
14	19M8162	CAP SCREW	12		X	X	M10 X 40
	12H304	LOCK WASHER	9		X	X	3/8"
15	H117703	SHIM	1		X	X	
16	AH112883	SEAL	1		X	X	
17	19H2151	CAP SCREW	1		X	X	1/4" X 3"
	H120490	BOLT	1		X	X	SLOW SPEED CYLINDER DRIVE OPTION
	M63707	LOCK NUT	1		X	X	
18	H127590	LUG	1		X	X	
19	H113208	WHEEL	1		X	X	
20	U10063	O-RING	1		X	X	
21	H112877	LOCK WASHER	1		X	X	
22	E12305	NUT	1		X	X	
23	H113238	FLANGE NUT	1		X	X	
24	H110521	CAP	1		X	X	
25	JD7797	LUBRICATION FITTING	1		X	X	
26	H110462	PLUG	3		X	X	
27	H113063	GEAR	1		X	X	
28	H111042	SPACER	1		X	X	
29	JD7441	BEARING	1		X	X	
30	JD10214	BEARING CONE	1		X	X	
31	AH110887	SEAL	1		X	X	
32	H113946	GEAR	1		X	X	
33	T47836	SNAP RING	1		X	X	
34	H114687	BEARING HOUSING W/O BEARING	1		X	X	
35	H110337	RING	1		X	X	
36	R38131	CAP SCREW	3		X	X	
37	R80R	SNAP RING	1		X	X	
38	H114688	SNAP RING	1		X	X	
39	H115881	BELT	1		X	X	
	H118618	BELT	1		X	X	SLOW SPEED CYLINDER DRIVE OPTION
40	H126829	HUB	1		X	X	
41	H126722	SHEAVE	1		X	X	
42	H144962	SCREW	8		X	X	M10 X 25
43	AH109056	PIPE PLUG	1		X	X	
44	H114689	SHEAVE	1		X	X	
45	JD10032	BALL BEARING	1		X	X	
46	AF1466R	SEAL	1		X	X	
47	AH134859	GEAR CASE	1		X	X	
..	TY6304	SEALANT	1		X	X	(CANADA PART NO. TY9483)
..	TY6341	GREASE	1		X	X	SIZE- 14 OZ. TUBE

4E4

DUAL-RANGE LOCKOUT ARM
HP8324 -UN-19AUG99



9
5
9 5
5 0
5 S
0 H

KEY	PART NO.	PART NAME	QTY	SERIAL NO.	REMARKS
1	H139709	RETAINER	1	X X	
2	19M7867	SCREW	2	X X	M8 X 25
3	M45123	EXTENSION SPRING	1	X X	
4	AH143746	RUBBER MOUNT	1	X X	
5	AH143747	ARM	1	X X	
6	H110542	PIN	1	X X	0.787" X 4.528"
7	19M7826	SCREW	1	X X	M16 X 70
8	14M7291	FLANGE NUT	1	X X	M16
9	H114001	QUICK LOCK PIN	1	X X	
10	34M7036	SPRING PIN	1	X X	5 X 45 MM

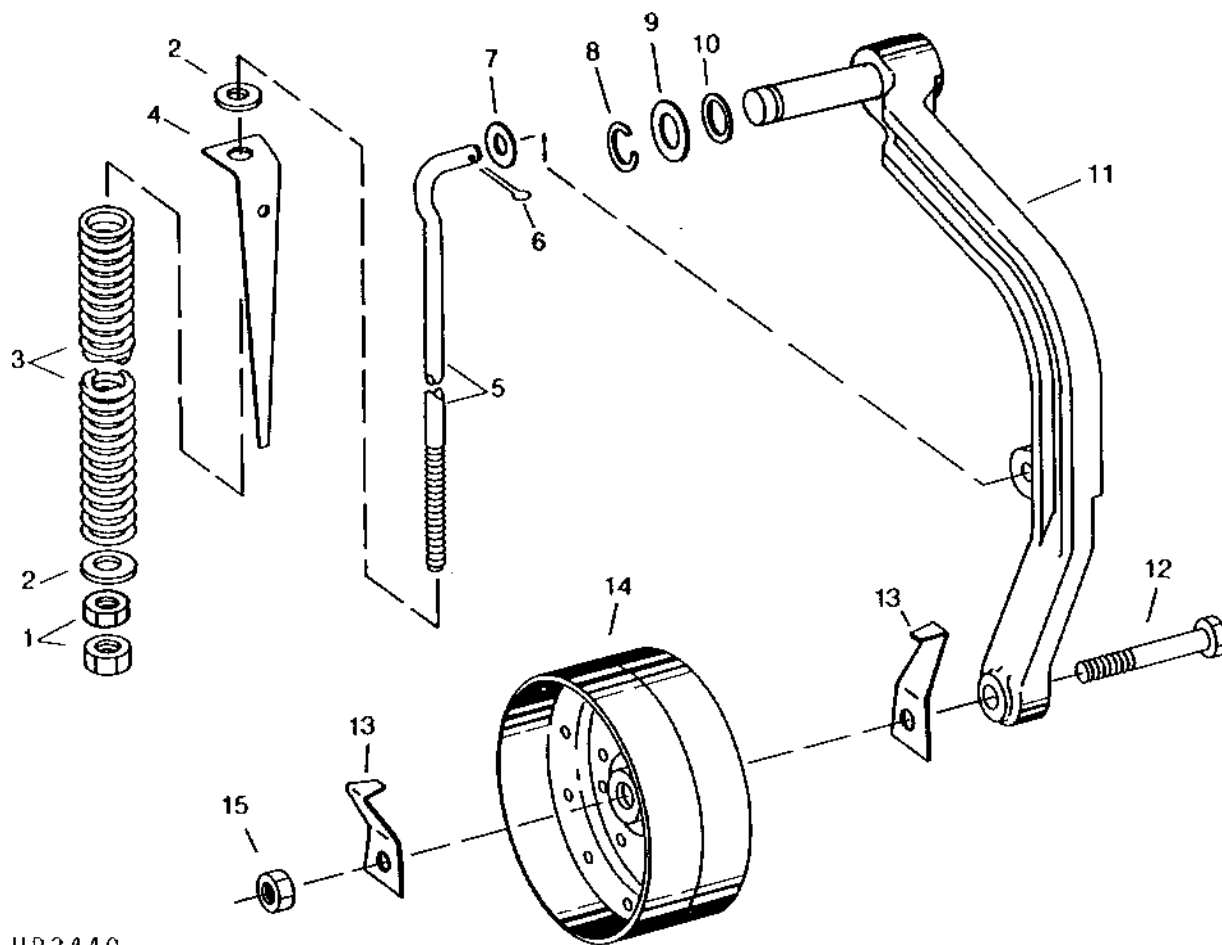
MEMORANDA

4E5

DRIVES

DUAL-RANGE CYLINDER DRIVE TIGHTENER

HP3440 -UN-01JAN94



HP 3440

4E6

DRIVES

DUAL-RANGE CYLINDER DRIVE TIGHTENER - CONTINUED

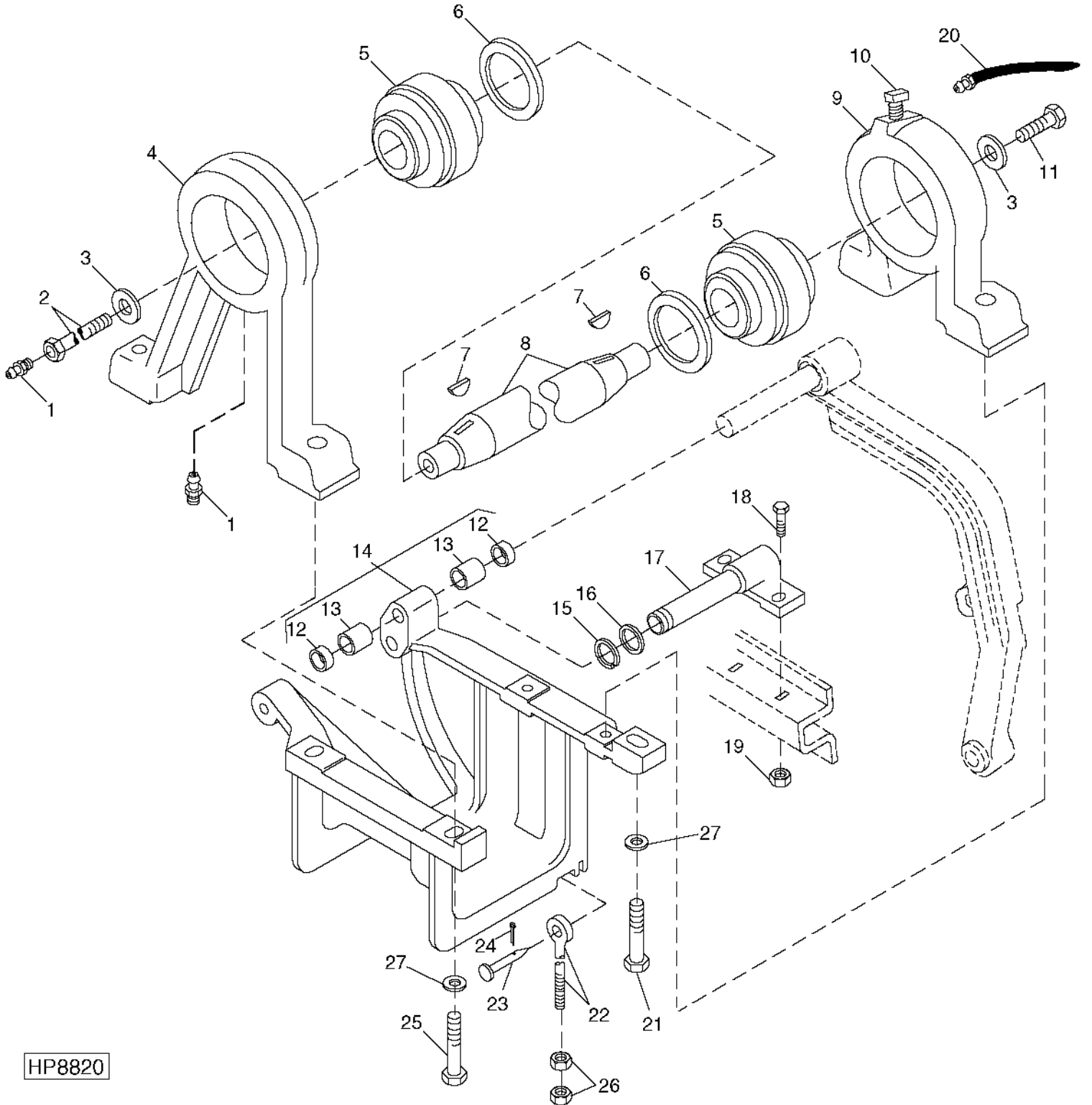
KEY	PART NO.	PART NAME	QTY	SERIAL NO.	9 5 9 5 5 0 5 S 0 H	REMARKS
1	14M7276	NUT	1		X X	M16
2	24H1373	WASHER	2		X X	21/32" X 1-9/16" X 0.180"
3	N61654	SPRING	1		X X	
4	H116862	GAUGE	1		X X	
5	H116861	HOOK BOLT	1		X X	
6	11M7028	COTTER PIN	1		X X	5 X 32 MM
7	24M7053	WASHER	1		X X	17 X 30 X 3 MM
8	P46402	SNAP RING	1		X X	
9	24H1447	WASHER	AR		X X	1-1/32" X 1-1/2" X 0.036" (USE FOUR OR LESS)
10	24H1448	WASHER	1		X X	1-1/32" X 1-1/2" X 0.120"
11	AH113139	ARM	1		X X	
12	19M7818	SCREW	1		X X	M12 X 80
13	H94386	BRACKET	2		X X	
14	AH141762	IDLER	1		X X	
15	14M7299	FLANGE NUT	1		X X	M12

4E7

DRIVES

DUAL-RANGE CYLINDER DRIVE INTERMEDIATE SHAFT MOUNTING

HP8820 -UN-13JUL99



HP8820

4E8

DRIVES

DUAL-RANGE CYLINDER DRIVE INTERMEDIATE SHAFT MOUNTING - CONTINUED

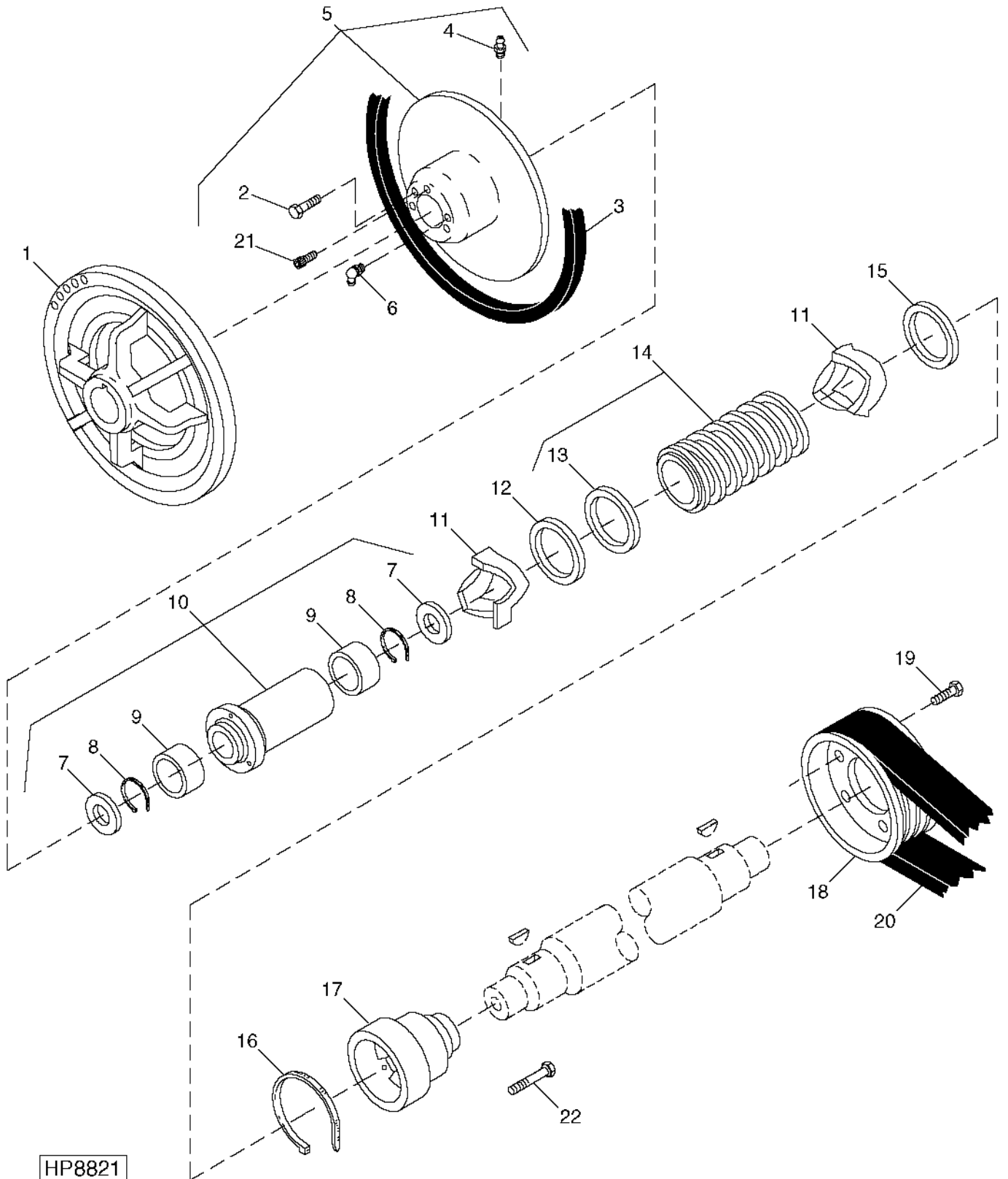
KEY	PART NO.	PART NAME	QTY	SERIAL NO.	9	REMARKS
					5	
1	JD7759	LUBRICATION FITTING	2		X X	1/8" STRAIGHT
2	H110168	SCREW	1		X X	M16 X 60
3	R20135	WASHER	2		X X	
4	H121134	HOUSING	1		X X	
5	AH108813	BALL BEARING	2		X X	
6	E18993	WASHER	2		X X	
7	26M6787	SHAFT KEY	2		X X	10 X 32 MM
8	H148241	SHAFT	1		X X	
9	H119210	HOUSING	1		X X	
10	JD7839	LUBRICATION FITTING	1		X X	18" - 90 DEGREE
11	19M7793	SCREW	1		X X	M16 X 40
12	AA5607R	SEAL	2		X X	
13	H99147	BUSHING	2		X X	(SUB H171061)
	H171061	BEARING	2		X X	
14	AH122451	SUPPORT	1		X X	
15	M2353T	SNAP RING	1		X X	
16	24H1513	WASHER	1		X X	1-13/32" X 2" X 0.060"
17	H127596	PIN	1		X X	
18	19M7898	SCREW	2		X X	M10 X 130
19	14M7296	FLANGE NUT	2		X X	M10
20	AH121007	HOSE	1		X X	1/8" X 1 400 MM (55") X 1/8"
21	19H3057	CAP SCREW	2		X X	1/2" X 2-3/4"
22	H127583	EYEBOLT	1		X X	
23	T22714	PIN	1		X X	15.748 X 66.040 MM (0.620" X 2.600")
24	11M7028	COTTER PIN	1		X X	5 X 32 MM
25	19M8306	SCREW	2		X X	M12 X 50
26	14M7291	FLANGE NUT	2		X X	M16
27	T20217	WASHER	4		X X	

4E9

DRIVES

DUAL-RANGE CYLINDER DRIVE INTERMEDIATE SHEAVE

HP8821 -UN-13JUL99



4E10

DRIVES

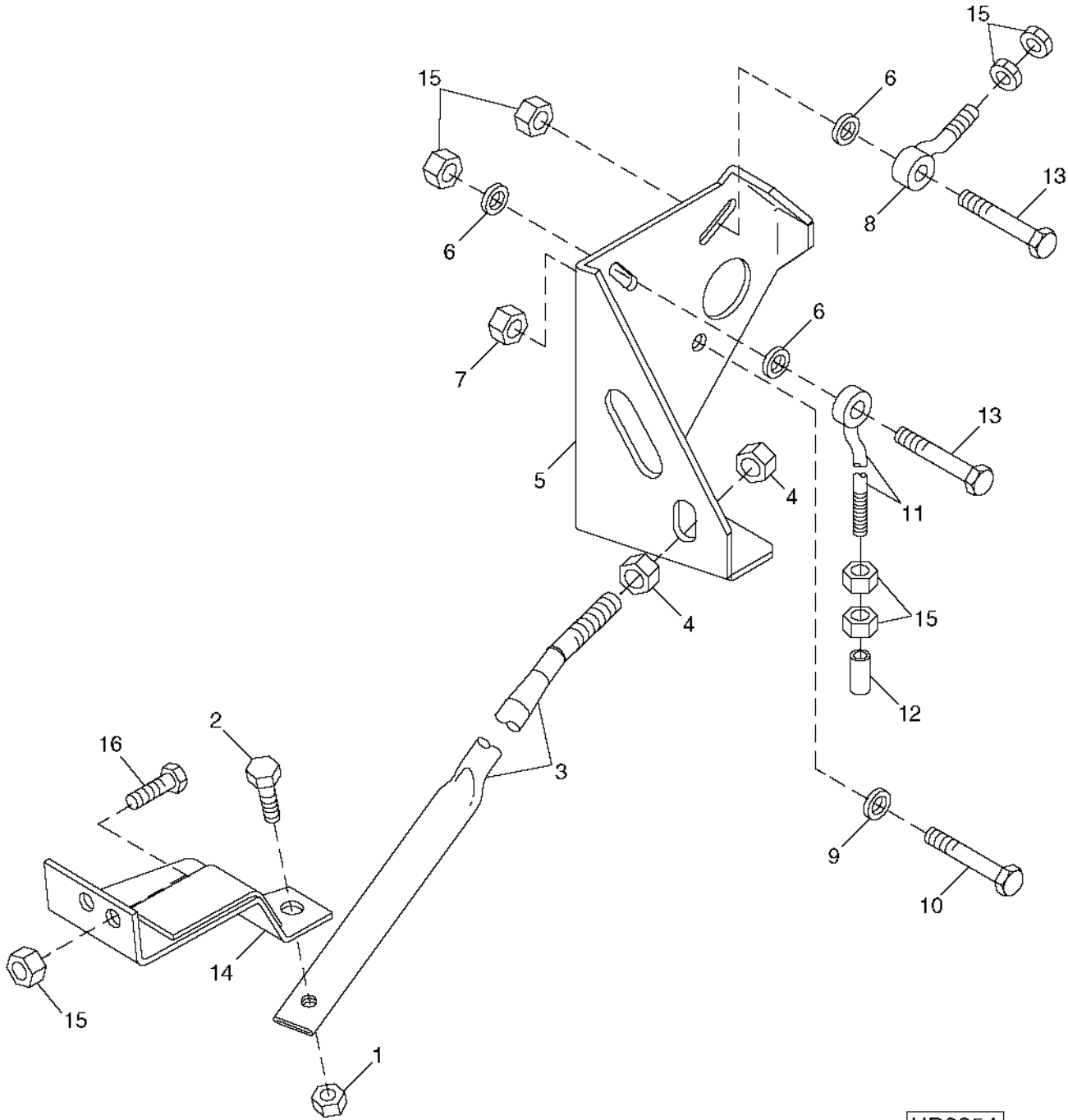
DUAL-RANGE CYLINDER DRIVE INTERMEDIATE SHEAVE - CONTINUED

KEY	PART NO.	PART NAME	QTY	SERIAL NO.	0 H	REMARKS
					9	
					5	
					9 5	
					5 0	
					5 S	
					0 H	
1	H145955	SHEAVE	1		X X	
2	19M7789	SCREW	3		X X	M12 X 30
3	H162629	BELT	1		X X	
4	JD7759	LUBRICATION FITTING	1		X X	
5	AH141973	HALF SHEAVE	1		X X	INCS H144038 SHEAVE, AH106296 BREATHER, JD7759 ZERK, & JD7788 ZERK WITH ASSY BALANCED 45 DEGREE
6	JD7788	LUBRICATION FITTING	1		X X	
7	AH106110	SEAL	2		X X	
8	B3118R	SNAP RING	2		X X	
9	H125528	BUSHING	2		X X	
10	AH120907	HUB	1		X X	
11	H145243	CAM	2		X X	
12	H96227	WASHER	1		X X	
13	H96232	WASHER	1		X X	
14	AH148893	SPRING ASSEMBLY	1		X X	(INCLUDES H96226)
15	AH136497	SEAL	1		X X	
16	H107389	RING	1		X X	
17	H146394	HUB	1		X X	
	H141588	HUB	1		X X	(A)
18	H125391	SHEAVE	1		X X	
	H118616	SHEAVE	1		X X	(A)
19	19M7818	SCREW	3		X X	M12 X 80
	19M8162	CAP SCREW	3		X X	(A) M10 X 40
20	H115881	BELT	1		X X	
21	AE38448	RELIEF VALVE	1		X X	
22	19M8017	CAP SCREW	3		X X	(A) M12 X 20

(A) SLOW SPEED CYLINDER DRIVE OPTION

4E11

DUAL-RANGE CYLINDER DRIVE ADJUSTING BRACKET
HP8254 -UN-13JUL99



HP8254

4E12

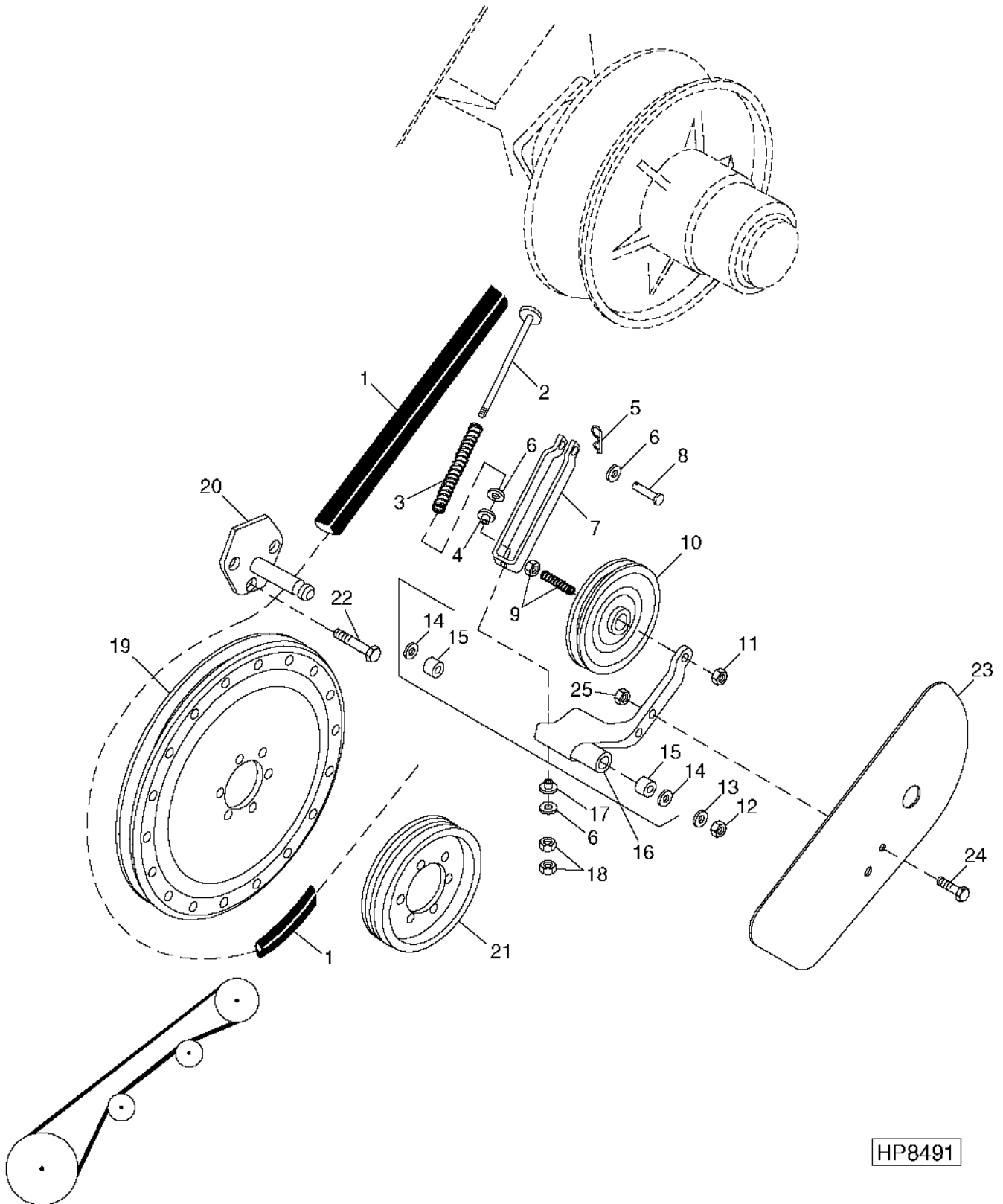
DRIVES

DUAL-RANGE CYLINDER DRIVE ADJUSTING BRACKET - CONTINUED

KEY	PART NO.	PART NAME	QTY	SERIAL NO.	9 5 9 5 5 0 5 S 0 H	REMARKS
1	W39621	NUT	1		X X	M16
2	19M7843	SCREW	1		X X	M16 X 35
3	AH161546	BRACE	1		X X	
4	14M7300	FLANGE NUT	2		X X	M20
5	H131482	SUPPORT	1		X X	
6	24M7240	WASHER	3		X X	13 X 25 X 3 MM
7	14M7291	FLANGE NUT	1		X X	M16
8	H116065	EYEBOLT	1		X X	
9	24M7053	WASHER	1		X X	17 X 30 X 3 MM
10	19M8046	CAP SCREW	1		X X	M16 X 70
11	H131485	EYEBOLT	1		X X	
12	R50770	PLUG	1		X X	
13	19M7791	SCREW	2		X X	M12 X 40
14	AH155661	STRAP	1		X X	
15	14M7299	FLANGE NUT	8		X X	M12
16	19M7837	SCREW	2		X X	M12 X 110

4E13

SECONDARY COUNTERSHAFT DRIVE
HP8491 -UN-26APR99



4E14

DRIVES

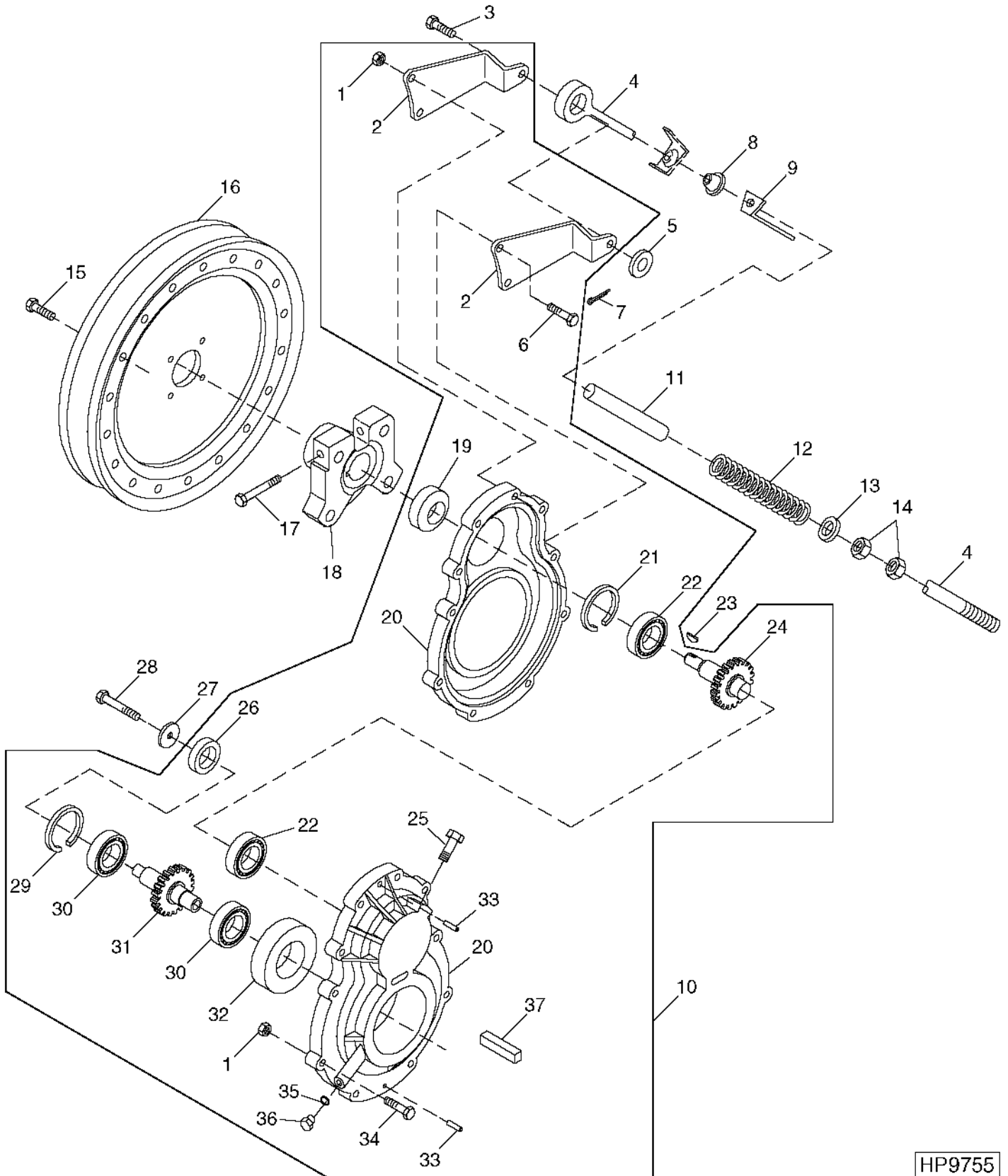
SECONDARY COUNTERSHAFT DRIVE - CONTINUED

KEY	PART NO.	PART NAME	QTY	SERIAL NO.	9550		REMARKS
					0	H	
1	H128010	BELT	1		X	X	
2	AH124826	STUD	1		X	X	
3	B10604	SPRING	1		X	X	
4	H97513	BUSHING	1		X	X	
5	11M7028	COTTER PIN	1		X	X	5 X 32 MM
6	24M7047	WASHER	3		X	X	13 X 24 X 2.500 MM
7	H133667	CLEVIS	1		X	X	
8	H748DA	PIN	1		X	X	
9	19M7824	SCREW	1		X	X	M16 X 60
10	AH97031	IDLER	1		X	X	
11	14M7291	FLANGE NUT	1		X	X	M16
12	P46402	SNAP RING	1		X	X	
13	24M7091	WASHER	1		X	X	26 X 44 X 4 MM
14	AA5607R	SEAL	2		X	X	
15	H99147	BUSHING	2		X	X	(SUB H171061)
	H171061	BEARING	2		X	X	
16	AH124828	ARM	1		X	X	
17	H129207	PIVOT	1		X	X	
18	14M7275	NUT	2		X	X	M12
19	H159815	SHEAVE	1		X	X	
20	AH139816	PIN	1		X	X	
21	H142143	SHEAVE	1		X	X	
22	19M7784	SCREW	3		X	X	M10 X 20
23	H141772	SHIELD	1		X	X	
24	19M7163	CAP SCREW	2		X	X	M8 X 25
25	14M7298	FLANGE NUT	2		X	X	M8

4E15

DRIVES

STRAW WALKER DRIVE GEARCASE
HP9755 -UN-11MAY00



HP9755

4E16

DRIVES

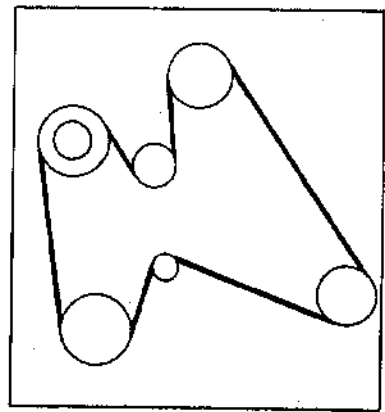
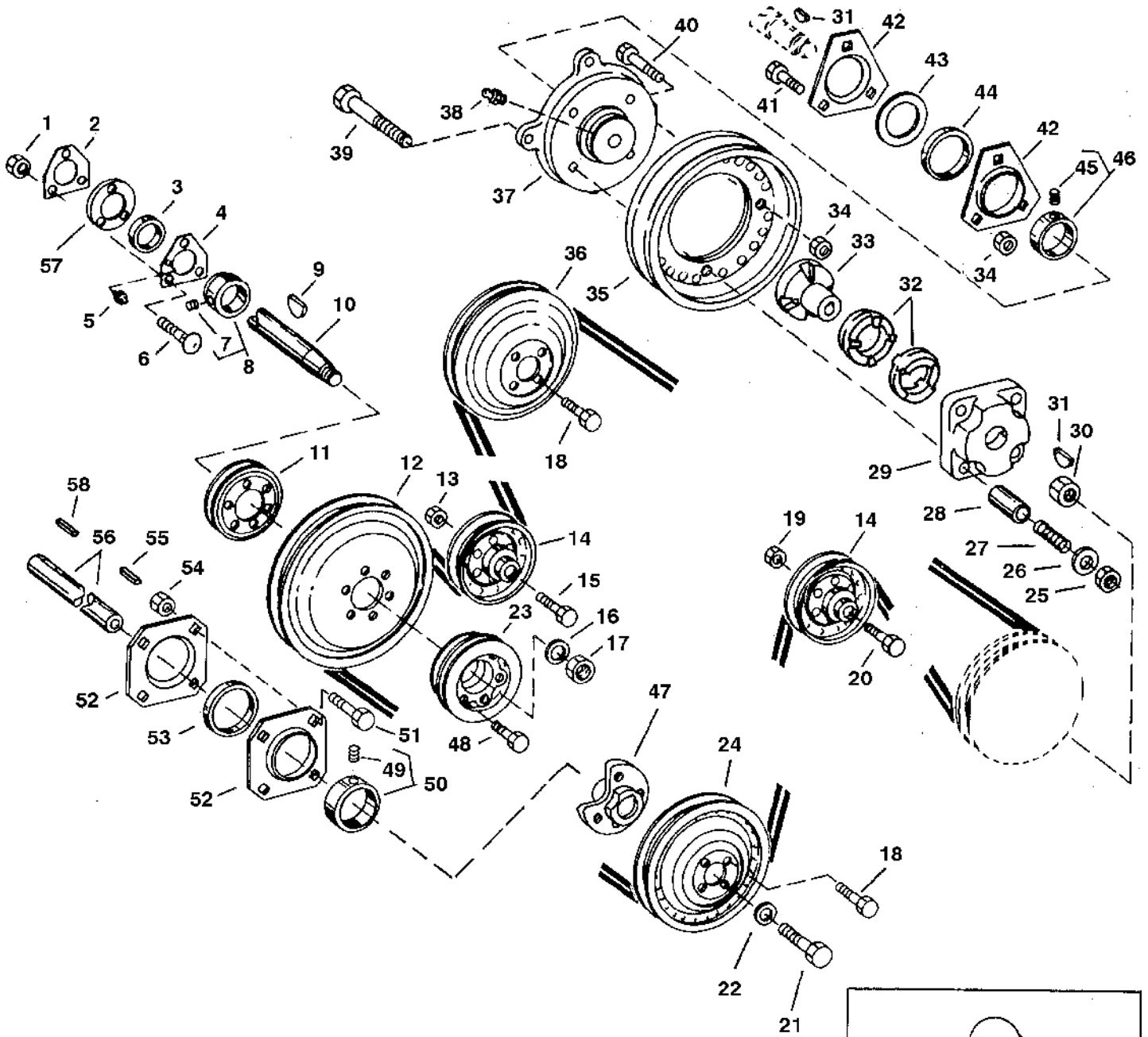
STRAW WALKER DRIVE GEARCASE - CONTINUED

KEY	PART NO.	PART NAME	QTY	YEAR	9 5 9 5 5 0 5 S 0 H	REMARKS
1	14M7298	FLANGE NUT	10		X X	M8
2	H129312	ARM	2		X X	
3	45M7084	PIN	1		X X	12 X 35 MM
4	H129311	EYEBOLT	1		X X	
5	24M7047	WASHER	1		X X	13 X 24 X 2.500 MM
6	19M8317	SCREW	2		X X	M8 X 40
7	11M7015	COTTER PIN	1		X X	3.200 X 25 MM
8	H170141	PIVOT	1		X X	
9	H170143	GAUGE	1		X X	
10	AH162469	GEAR CASE	1		X X	
11	TY22329	BULK HOSE	AR		X X	
12	H86783	SPRING	1		X X	
13	24M7180	WASHER	1		X X	13 X 37 X 3 MM
14	14M7275	NUT	2		X X	M12
15	19M7784	SCREW	4		X X	M10 X 20
16	AH122863	SHEAVE	1		X X	
17	19M7663	CAP SCREW	1		X X	M8 X 70
18	H134760	HUB	1		X X	
19	AR90861	SEAL	1		X X	
20	GEAR CASE	1		X X	
21	R62192	SNAP RING	1		X X	
22	JD7686	BALL BEARING	2		X X	
23	26M4228	SHAFT KEY	1		X X	8 X 28 MM, WOODRUFF
24	H114134	PINION	1		X X	
25	15H638	PIPE PLUG	1		X X	
26	AH111970	SEAL	1		X X	
27	N134803	WASHER	1		X X	
28	H155973	SCREW	1		X X	
29	BP13620	SNAP RING	1		X X	
30	JD10011	BALL BEARING	2		X X	
31	H114100	GEAR	1		X X	
32	AH111971	SEAL	1		X X	
33	34M7038	SPRING PIN	2		X X	6 X 20 MM
34	19M7868	SCREW	8		X X	M8 X 30
35	R26375	O-RING	1		X X	
36	R39112	FITTING	1		X X	
37	H138344	SHAFT KEY	1		X X	

4E17

DRIVES

STRAW WALKER, CONVEYOR AUGERS, SIEVE AND CHAFFER DRIVE
HP6902 -UN-18AUG97



HP6902

4E18

DRIVES

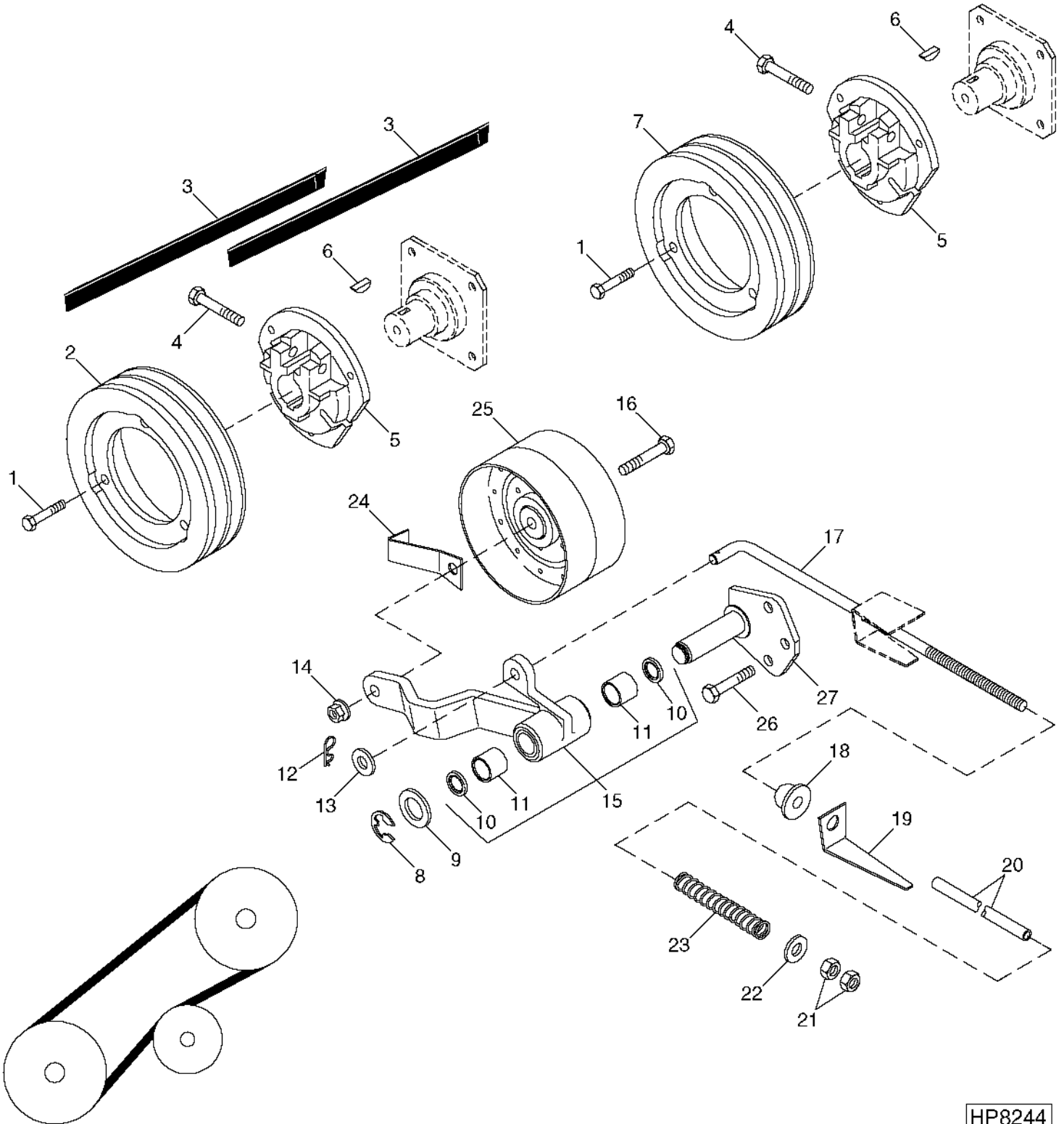
STRAW WALKER, CONVEYOR AUGERS, SIEVE AND CHAFFER DRIVE - CONTINUED

KEY	PART NO.	PART NAME	QTY	SERIAL NO.	9		REMARKS
					0	H	
1	14M7296	FLANGE NUT	3		X	X	M10
2	H135410	PRESSED FLANGED HOUSING	1		X	X	
3	AH139296	BALL BEARING	1		X	X	
4	AH129420	PRESSED FLANGED HOUSING	1		X	X	
5	JD7846	LUBRICATION FITTING	1		X	X	
6	03M7191	BOLT	3		X	X	M10 X 25
7	22M7081	SET SCREW	1		X	X	M10 X 10
8	AH133191	ECCENTRIC LOCKING COLLAR	1		X	X	
9	H153524	KEY	1		X	X	WOODRUFF (HARDENED)
10	H132208	JACKSHAFT	1		X	X	
11	H131170	SHEAVE	1		X	X	
12	H159815	SHEAVE	1		X	X	
13	14M7291	FLANGE NUT	1		X	X	M16
14	AH94450	IDLER	2		X	X	
15	19M7824	SCREW	1		X	X	M16 X 60
16	24M7091	WASHER	1		X	X	
17	14M7413	LOCK NUT	1		X	X	M24
18	19M7784	SCREW	8		X	X	M10 X 20
19	14M7291	FLANGE NUT	1		X	X	M16
20	19M7824	SCREW	1		X	X	M16 X 60
21	19M8035	CAP SCREW	1		X	X	M16 X 35
22	T119912	WASHER	2		X	X	
23	H142143	SHEAVE	1		X	X	
24	AH126188	SHEAVE	1		X	X	
25	14M7400	LOCK NUT	4		X	X	M10
26	24M7101	WASHER	4		X	X	
27	R56722	SPRING	4		X	X	
28	H87206	SPACER	4		X	X	
29	H89525	RETAINER	1		X	X	
30	14M7300	FLANGE NUT	1		X	X	M20
31	26M4226	SHAFT KEY	1		X	X	5 X 19 MM
32	H128265	SLIP CLUTCH	2		X	X	
33	H131098	HUB	1		X	X	
34	14M7296	FLANGE NUT	4		X	X	M10
35	AH126094	SHEAVE	1		X	X	
36	AH122863	SHEAVE	1		X	X	
37	H135423	HUB	1		X	X	
38	JD7797	LUBRICATION FITTING	1		X	X	
39	19M8166	CAP SCREW	4		X	X	M10 X 110
40	19M7786	SCREW	4		X	X	M10 X 30
41	03M7191	BOLT	3		X	X	M10 X 25
42	E10018	PRESSED FLANGED HOUSING	2		X	X	
43	H102533	SHIM	5		X	X	
44	AH129451	BALL BEARING	1		X	X	
45	SET SCREW	1		X	X	
46	AH129452	ECCENTRIC LOCKING COLLAR	1		X	X	
47	H133603	HUB	1		X	X	
48	19M7810	SCREW	6		X	X	M10 X 80
49	22M7081	SET SCREW	2		X	X	
50	AL14674	ECCENTRIC LOCKING COLLAR	2		X	X	
51	03M7198	BOLT	8		X	X	M12 X 30
52	H133621	PRESSED FLANGED HOUSING	4		X	X	
53	JD39109	BALL BEARING	2		X	X	
54	14M7299	FLANGE NUT	16		X	X	M12
55	49M5606	SHAFT KEY	1		X	X	
56	H133598	SHAFT	1		X	X	CLEANING SHOE SHAFT
57	H105578	SHIM	1		X	X	
58	49M7040	SHAFT KEY	1		X	X	
..	H131169	BELT	1		X	X	

4E19

DRIVES

BEATER DRIVE, SHEAVES AND TIGHTENER
HP8244 -UN-17AUG99



HP8244

4E20

DRIVES

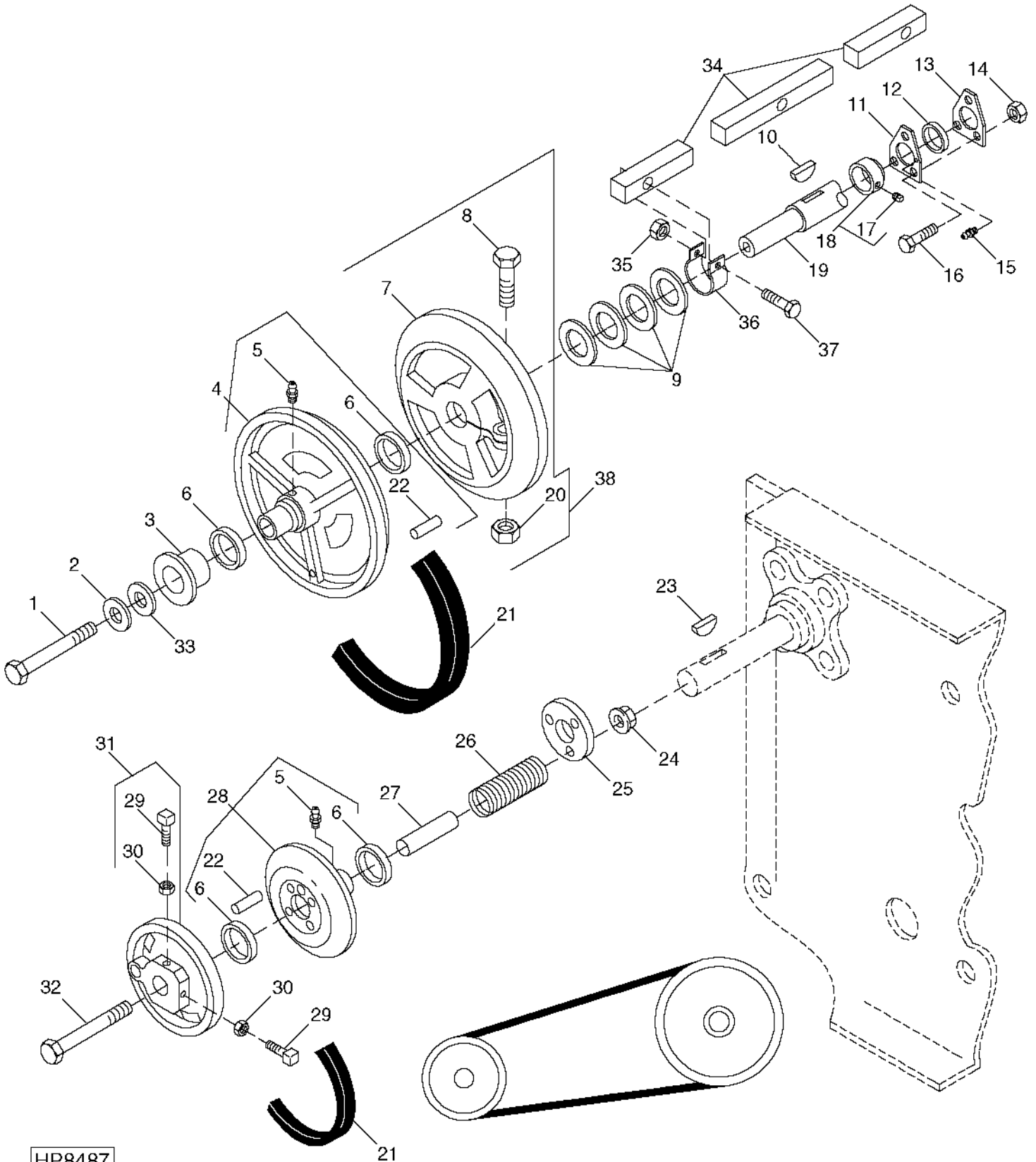
BEATER DRIVE, SHEAVES AND TIGHTENER - CONTINUED

KEY	PART NO.	PART NAME	QTY	SERIAL NO.	0 H	REMARKS
					9	
					5	
					9 5	
					5 0	
					5 S	
					0 H	
1	19M7785	SCREW	6		X X	M10 X 25
2	H159814	SHEAVE	1		X X	FOR 100 PERCENT BEATER DRIVE
	H135849	SHEAVE	1		X X	FOR 75 PERCENT BEATER DRIVE
3	AH139436	BELT SET	1		X X	FOR 100 PERCENT BEATER DRIVE
	AH163931	BELT	1		X X	FOR 75 PERCENT BEATER DRIVE
4	19M7808	SCREW	2		X X	M10 X 65
5	H128327	HUB	2		X X	
6	H153524	KEY	2		X X	10 X 32 MM, WOODRUFF
7	H159814	SHEAVE	1		X X	FOR 100 PERCENT BEATER DRIVE
	H135850	SHEAVE	1		X X	FOR 75 PERCENT BEATER DRIVE
8	P46402	SNAP RING	1		X X	
9	24M7091	WASHER	1		X X	26 X 44 X 4 MM
10	AA5607R	SEAL	2		X X	
11	H99147	BUSHING	2		X X	(SUB H171061)
	H171061	BEARING	2		X X	
12	11M7021	COTTER PIN	1		X X	4 X 25 MM
13	24M7047	WASHER	1		X X	13 X 24 X 2.500 MM
14	14M7299	FLANGE NUT	1		X X	M12
15	AH131508	ARM	1		X X	
16	19M7817	SCREW	1		X X	M12 X 70
17	H125560	BOLT	1		X X	
18	H129207	PIVOT	1		X X	
19	H140944	GAUGE	1		X X	
20	TY22326	BULK HOSE	1		X X	BULK HOSE
21	14M7275	NUT	2		X X	M12
22	24M7180	WASHER	1		X X	13 X 37 X 3 MM
23	R35542	SPRING	1		X X	
24	H94386	BRACKET	2		X X	
25	AH141762	IDLER	1		X X	
26	19M7784	SCREW	3		X X	M10 X 20
27	AH156051	SPRING PIN	1		X X	

4E21

DRIVES

SEPARATOR FAN DRIVE
HP8487 -UN-20APR99



HP8487

4E22

DRIVES

SEPARATOR FAN DRIVE - CONTINUED

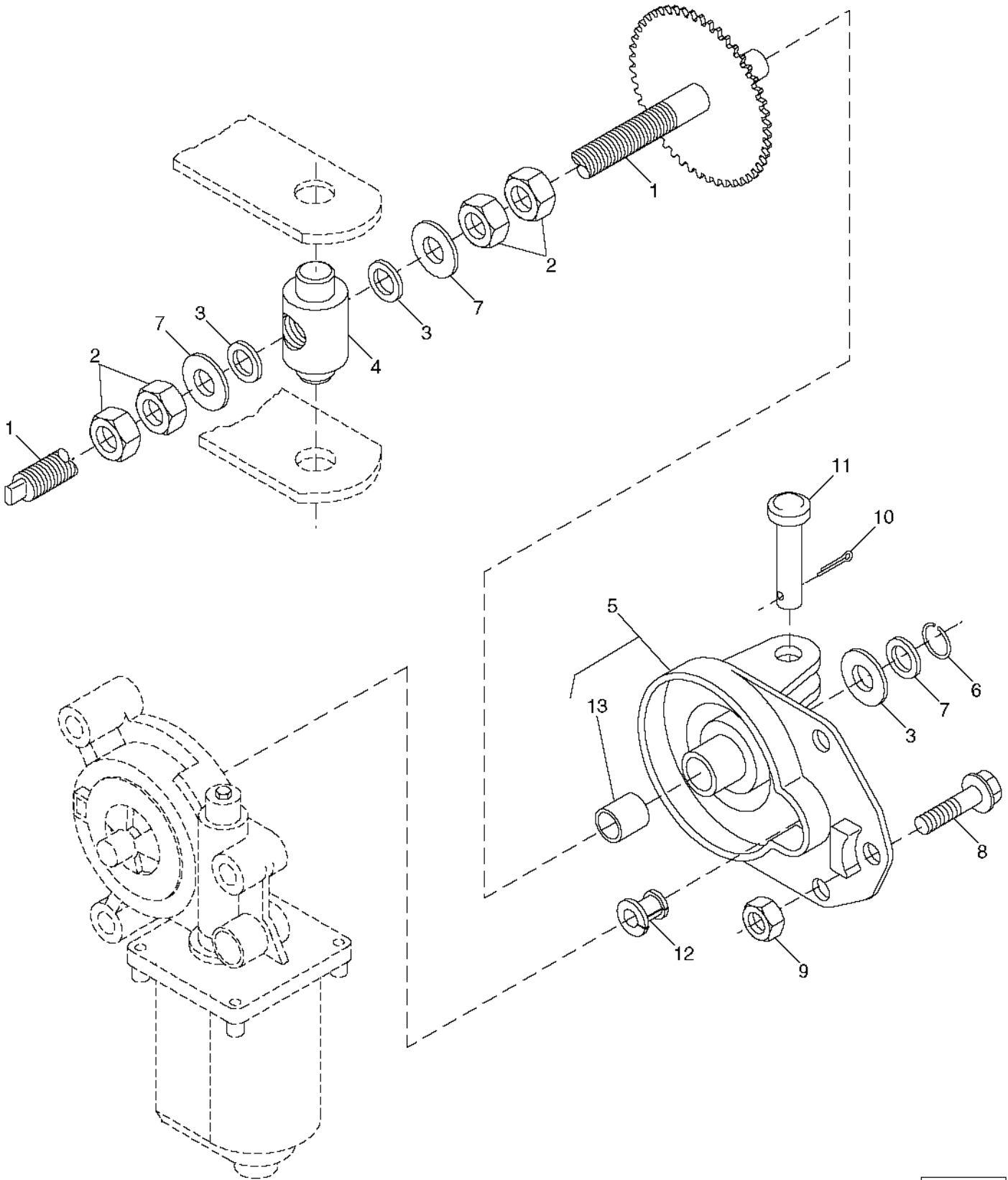
KEY	PART NO.	PART NAME	QTY	SERIAL NO.	0 H	REMARKS
					9	
					5	
					9 5	
					5 0	
					5 S	
					0 H	
1	19M7786	SCREW	1		X X	M10 X 30
2	24H1314	WASHER	1		X X	
3	AH124050	THROW-OUT BEARING	1		X X	
4	AH146463	HALF SHEAVE	1		X X	460 MM O.D. (750-1350 RPM) OUTER DRIVE
	AH153040	SHEAVE	1		X X	(490 - 980 RPM)
5	JD7759	LUBRICATION FITTING	2		X X	1/8" STRAIGHT
6	AH14080	SEAL	4		X X	
7	SHEAVE	1		X X	
8	19M8112	SCREW	1		X X	M12 X 55
9	AH149356	HALF SHEAVE	1		X X	(750 - 1350 RPM) INNER DRIVE
	AH149357	HALF SHEAVE	1		X X	(490 - 980 RPM) INNER DRIVE
10	H153524	KEY	1		X X	WOODRUFF (HARDENED)
11	AH129420	PRESSED FLANGED HOUSING	1		X X	
12	AH139296	BALL BEARING	1		X X	
13	H135410	PRESSED FLANGED HOUSING	1		X X	
14	14M7296	FLANGE NUT	3		X X	M10
15	JD7846	LUBRICATION FITTING	1		X X	45 DEGREE
16	03M7191	BOLT	3		X X	M10 X 25
17	22M7081	SET SCREW	1		X X	M10 X 10
18	AH133191	ECCENTRIC LOCKING COLLAR	1		X X	
19	H132208	JACKSHAFT	1		X X	
20	14M7299	FLANGE NUT	1		X X	M12
21	H152146	BELT	1		X X	(750-1350 RPM)
	H152180	BELT	1		X X	(490-980 RPM)
22	R1964R	DOWEL PIN	2		X X	
23	26M6731	SHAFT KEY	1		X X	6 X 25 MM, WOODRUFF
24	14M7396	LOCK NUT	4		X X	M8
25	H135599	WASHER	1		X X	
26	H93399	SPRING	4		X X	
27	H133489	BUSHING	4		X X	
28	AH157219	HALF SHEAVE	1		X X	INNER DRIVE
29	H138435	SET SCREW	2		X X	M10 X 25
30	14M7152	NUT	2		X X	M10
31	AH146462	HALF SHEAVE	1		X X	OUTER DRIVE
32	19M7873	SCREW	4		X X	M8 X 110
33	24H1307	WASHER	AR		X X	
34	H137817	STRIPPER	1		X X	
35	14M7397	LOCK NUT	6		X X	M6
36	H137815	CLAMP	6		X X	
37	19M7862	SCREW	6		X X	M6 X 20
38	AH149356	HALF SHEAVE	1		X X	
..	BH81191	COMPLETE GOODS/SHIP. BUNDLE	1		X X	SLOW SPEED FAN DRIVE

4E23

DRIVES

FAN DRIVE SPEED CONTROL LINKAGE

HP7550 -UN-16AUG99



HP7550

4E24

DRIVES

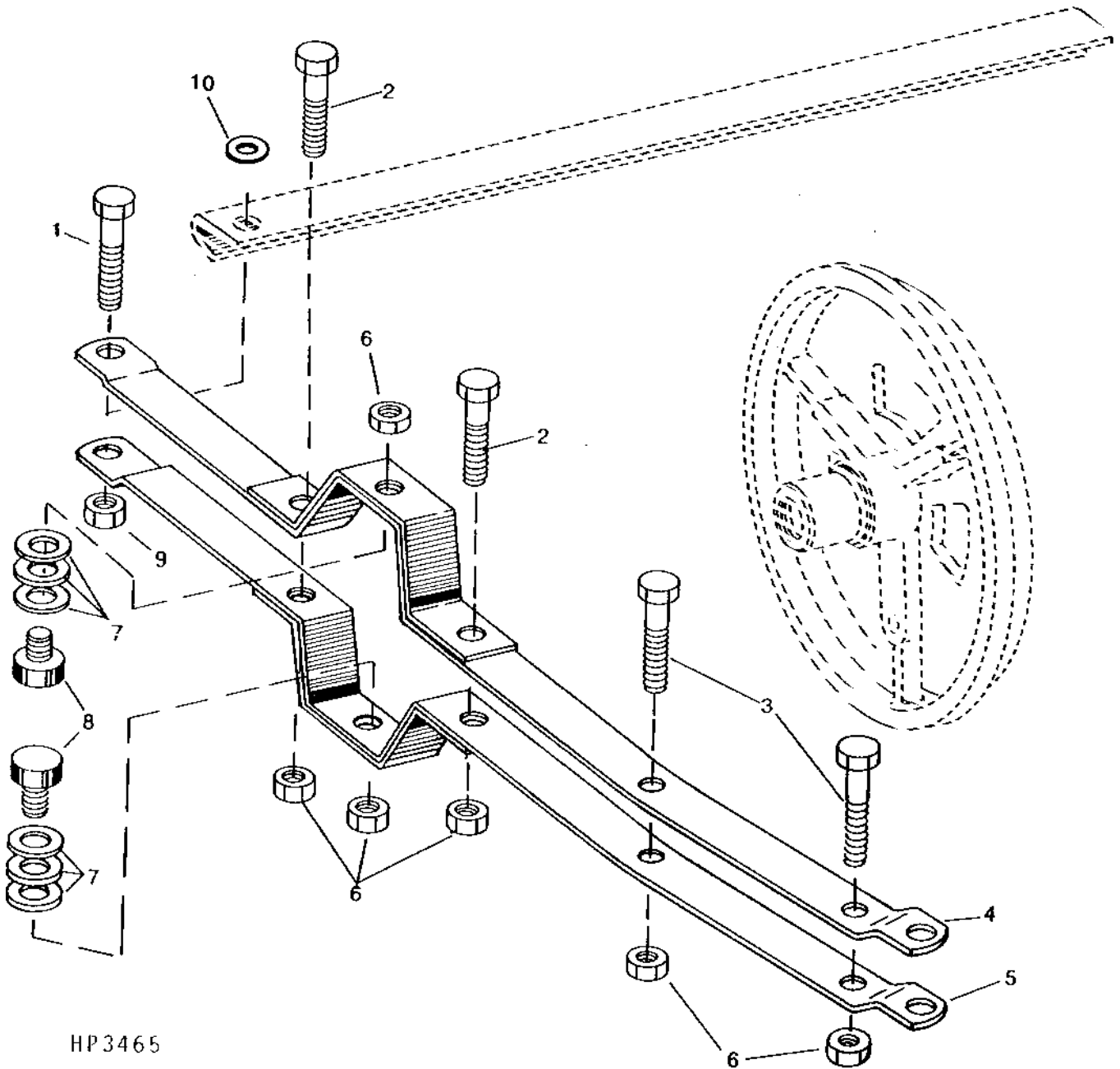
FAN DRIVE SPEED CONTROL LINKAGE - CONTINUED

KEY	PART NO.	PART NAME	QTY	SERIAL NO.	9 5 9 5 5 0 5 S 0 H	REMARKS
1	AH128384	SHAFT	1		X X	
2	14M7382	NUT	4		X X	M16
3	H140397	THRUST WASHER	3		X X	
4	H133199	TRUNNION	1		X X	
5	AH143904	SUPPORT	1		X X	
6	H25099	SNAP RING	1		X X	
7	H139132	SPACER	3		X X	
8	19M8321	SCREW	3		X X	M6 X 45
9	14M7165	LOCK NUT	3		X X	M6
10	11M7059	COTTER PIN	1		X X	3.200 X 20 MM
11	45M7045	PIN	1		X X	12 X 90 MM
12	H89515	BEARING	1		X X	
13	H91788	BUSHING	1		X X	

4F1

DRIVES

FAN DRIVE SPEED CONTROL SHEAVE LINKAGE
HP3465 -UN-01JAN94



4F2

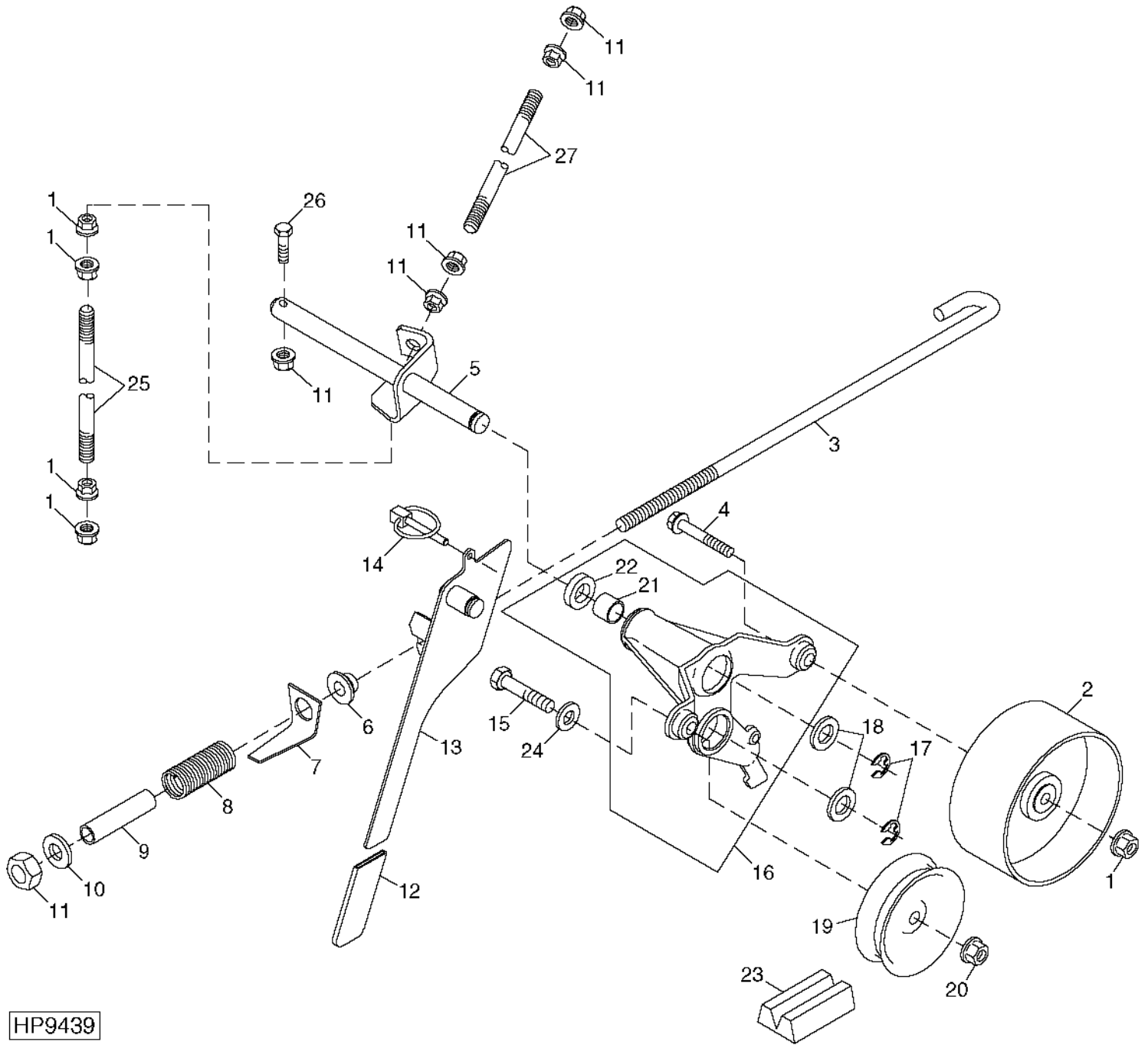
DRIVES

FAN DRIVE SPEED CONTROL SHEAVE LINKAGE - CONTINUED

KEY	PART NO.	PART NAME	QTY	SERIAL NO.	0 H	REMARKS
					9	
					5	
					9 5	
					5 0	
					5 S	
					0 H	
1	19M7868	SCREW	1		X X	M8 X 30
2	19M7790	SCREW	2		X X	M12 X 35
3	19M7788	SCREW	2		X X	M12 X 25
4	AH134729	ARM	1		X X	
5	AH134730	ARM	1		X X	
6	14M7299	FLANGE NUT	6		X X	M12
7	24H1882	WASHER	6		X X	17/32" X 3/4" X 0.060"
8	19M8169	SCREW	2		X X	M12 X 30
9	14M7298	FLANGE NUT	1		X X	M8
10	28H1511	WASHER	1		X X	0.364" X 0.540" X 1/4"

4F3

CHOPPER DRIVES (FRONT)
(REGULAR AND FINE CUT)
HP9439 -UN-20DEC99



HP9439

4F4

DRIVES

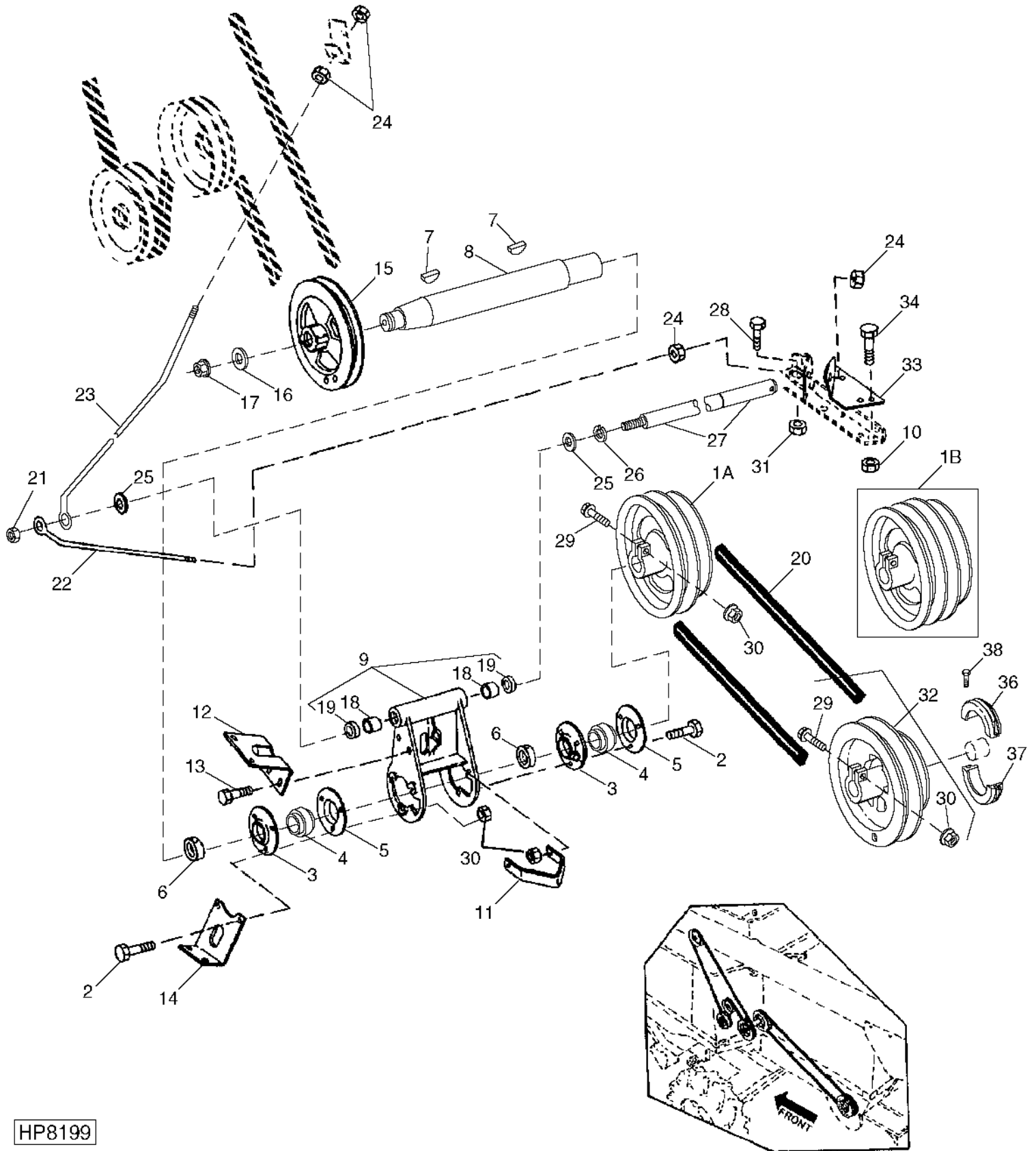
**CHOPPER DRIVES (FRONT) - CONTINUED
(REGULAR AND FINE CUT)**

KEY	PART NO.	PART NAME	QTY	SERIAL NO.	REMARKS
					9
					5
					9 5
					5 0
					5 S
					0 H
1	14M7299	FLANGE NUT	9	X X	M12
2	AH93318	IDLER	1	X X	
3	H141673	BOLT	1	X X	
4	19M7818	SCREW	1	X X	M12 X 80
5	AH134319	PIN	1	X X	
6	H173900	PIVOT	1	X X	(SUB FOR H129208)
7	H173899	GAUGE	1	X X	(SUB FOR H159956 OR H155062)
8	R35542	SPRING	1	X X	(SUB FOR H82418)
9	H161813	HOSE	1	X X	
10	24H1106	WASHER	1	X X	11/16" X 1-3/4" X 0.134"
11	14M7276	NUT	7	X X	M16
12	W25634	GRIP	1	X X	
13	AH168608	ARM	1	X X	(SUB FOR AH166367 OR AH167668)
14	M72598	QUICK LOCK PIN	1	X X	
15	A50325	SCREW	1	X X	
16	AH167669	ARM	1	X X	(SUB AH166780)
17	P46402	SNAP RING	2	X X	
18	24M7091	WASHER	2	X X	26 X 44 X 4 MM
19	AE22622	PULLEY	1	X X	
20	14M7291	FLANGE NUT	1	X X	
21	H99147	BUSHING	3	X X	(SUB H171061)
	H171061	BEARING	3	X X	
22	AA5607R	SEAL	2	X X	
23	H157726	BELT	1	X X	
24	24M7053	WASHER	1	X X	17 X 30 X 3 MM
25	H120198	STUD	1	X X	
26	19M8292	SCREW	1	X X	M10 X 50
27	H139545	STUD	1	X X	

4F5

STRAW CHOPPER DRIVES (REAR)

HP8199 -UN-13JUL99



HP8199

4F6

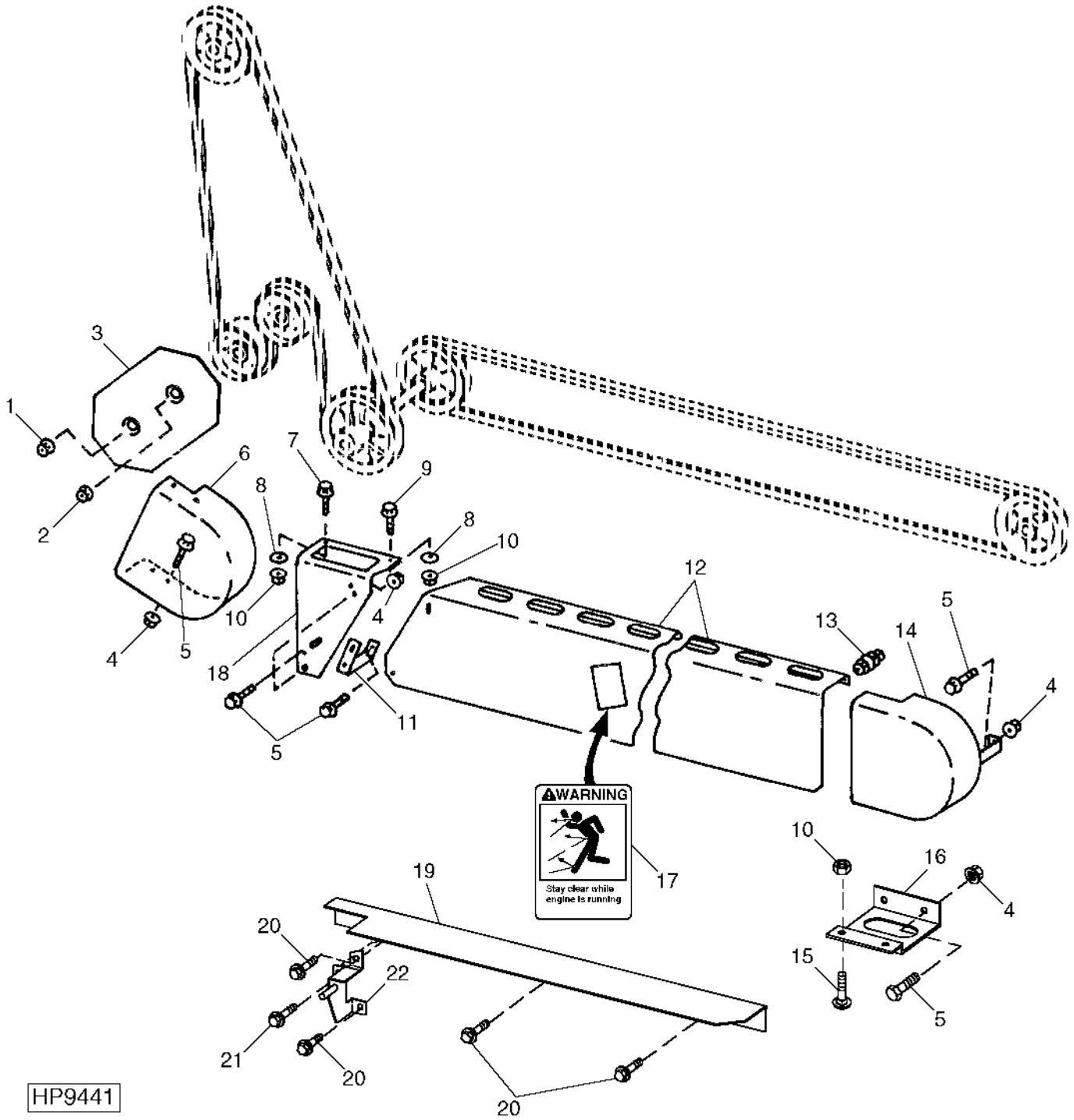
DRIVES

STRAW CHOPPER DRIVES (REAR) - CONTINUED

KEY	PART NO.	PART NAME	QTY	SERIAL NO.	0 H	REMARKS
					9	
					5	
					9 5	
					5 0	
					5 S	
					0 H	
1A	AH162528	SHEAVE	1		X X	STANDARD
1B	AH162548	SHEAVE	1		X X	FINE CUT
2	19M8162	CAP SCREW	6		X X	M10 X 40
3	H135410	PRESSED FLANGED HOUSING	2		X X	
4	AH139296	BALL BEARING	2		X X	
5	AH163686	PRESSED FLANGED HOUSING	1		X X	
6	AH133191	ECCENTRIC LOCKING COLLAR	2		X X	
7	26M6787	SHAFT KEY	2		X X	
8	H169065	JACKSHAFT	1		X X	
9	AH136126	ARM	1		X X	(SUB AH169220)
	AH169220	ARM	1		X X	
10	14M7276	NUT	2		X X	M16
11	H129125	STRAP	1		X X	
12	H132901	BRACKET	1		X X	
13	19M7865	SCREW	2		X X	M8 X 16
14	H132976	BRACKET	1		X X	
15	H157688	SHEAVE	1		X X	
16	24H1236	WASHER	1		X X	
17	14M7300	FLANGE NUT	1		X X	
18	H99147	BUSHING	2		X X	(SUB H171061)
	H171061	BEARING	2		X X	
19	AA5607R	SEAL	2		X X	
20	H157727	BELT	1		X X	FINE CUT (4420MM)
	H160654	BELT	1		X X	STANDARD (4420MM)
	H23950	BELT	1		X X	STANDARD - BALING (3124MM)
21	W39621	NUT	1		X X	
22	H164755	EYEBOLT	1		X X	
23	H170659	EYEBOLT	1		X X	
24	14M7291	FLANGE NUT	4		X X	M16
25	24M7091	WASHER	2		X X	26 X 44 X 4 MM
26	P43363	SNAP RING	1		X X	
27	H164756	PIN	1		X X	
28	19M8292	SCREW	1		X X	M10 X 50
29	H139545	STUD	1		X X	
30	14M7276	NUT	2		X X	
31	14M7296	FLANGE NUT	1		X X	
32	AH162549	SHEAVE	1		X X	FINE CUT
	AH162529	SHEAVE	1		X X	STANDARD
	AH119770	SHEAVE	1		X X	DEEP GROOVE
33	H133812	SUPPORT	1		X X	
34	19M7867	SCREW	2		X X	
35	14M7298	FLANGE NUT	2		X X	M8
36	H104794	ACTUATOR	1		X X	
37	H104793	ACTUATOR	1		X X	
38	H168924	SCREW	2		X X	
39	19M8292	SCREW	1		X X	M10 X 50
40	14M7296	FLANGE NUT	1		X X	M10
41	H120198	STUD	1		X X	
42	14M7299	FLANGE NUT	4		X X	M12

4F7

STRAW CHOPPER DRIVE SHIELDS
HP9441 -UN-20DEC99



4F8

DRIVES

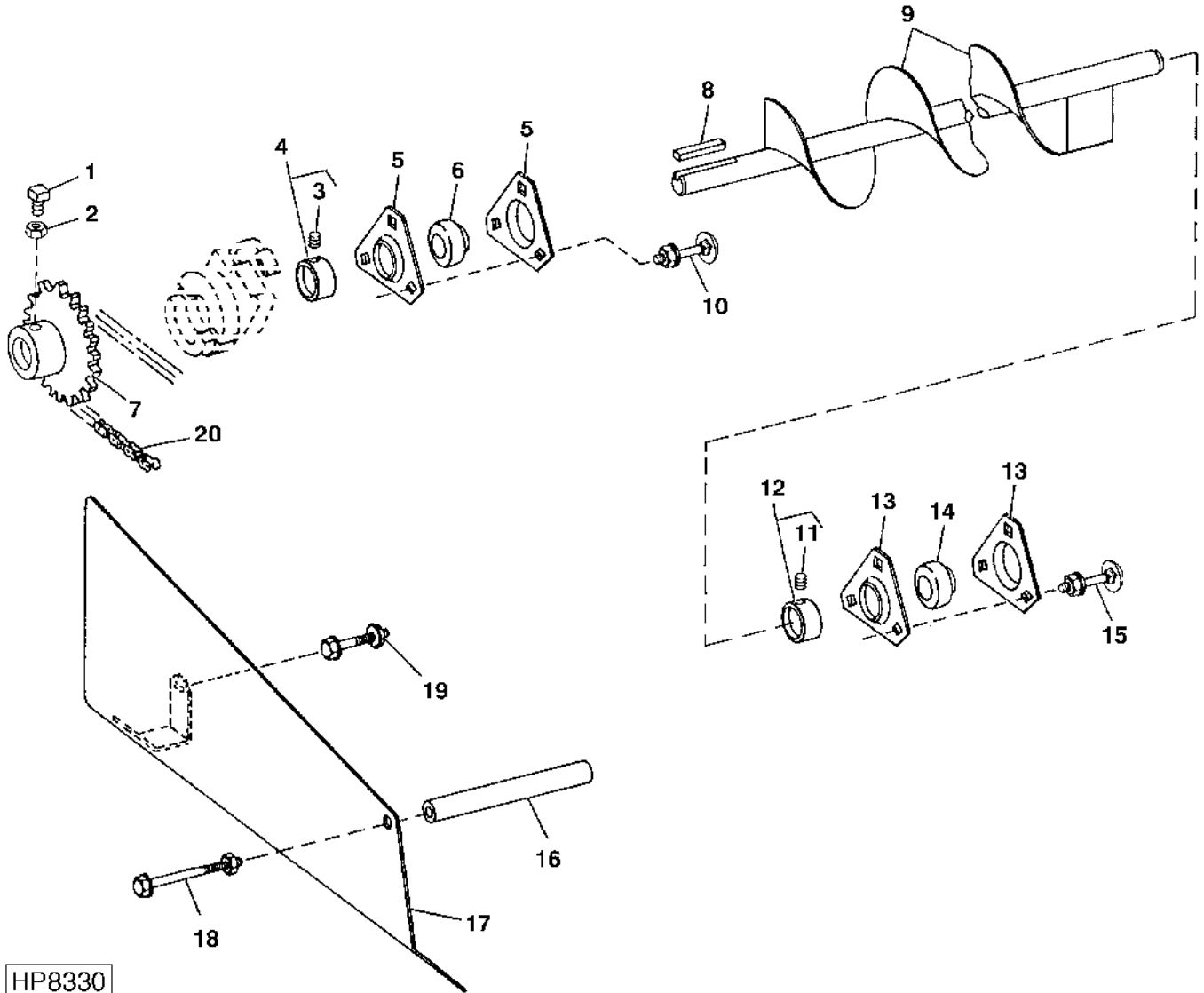
STRAW CHOPPER DRIVE SHIELDS - CONTINUED

KEY	PART NO.	PART NAME	QTY	SERIAL NO.	0 H	REMARKS
					9	
					5	
					9 5	
					5 0	
					5 S	
					0 H	
1	14M7291	FLANGE NUT	1		X X	M16
2	14M7299	FLANGE NUT	1		X X	M12
3	AH167132	SHIELD	1		X X	
4	14M7298	FLANGE NUT	10		X X	M8
5	19M7865	SCREW	11		X X	M8 X 16
6	H132902	CAP	1		X X	
7	19M7866	SCREW	1		X X	M8 X 20
8	24M7238	WASHER	2		X X	8.700 X 17 X 2 MM
9	19M7867	SCREW	1		X X	M8 X 25
10	14M7273	NUT	2		X X	M8
11	H141060	BRACKET	1		X X	
12	H169307	SHIELD	1		X X	
13	19M7865	SCREW	5		X X	M8 X 16
	24M7207	WASHER	5		X X	8.400 X 24 X 2 MM
	14M7273	NUT	5		X X	M8
14	AH162886	CAP	1		X X	
	AH130592	CAP	1		X X	FINE CUT
15	03M7183	BOLT	2		X X	M8 X 16
16	H169308	BRACKET	1		X X	
17	H149096	LABEL	1		X X	"PROJECTILE WARNING" ON R.H. REAR HOOD
18	H141059	SUPPORT	1		X X	
19	H166460	GUIDE	1		X X	CHOP TO BALE
20	19M7785	SCREW	4		X X	M10 X 25, CHOP TO BALE
21	19M7786	SCREW	1		X X	M10 X 30, CHOP TO BALE
22	AH162061	BRACKET	1		X X	CHOP TO BALE

4F9

DRIVES

UPPER TAILINGS AUGER, DRIVE AND SHIELD
HP8330 -UN-05MAR99



HP8330

4F10

DRIVES

UPPER TAILINGS AUGER, DRIVE AND SHIELD - CONTINUED

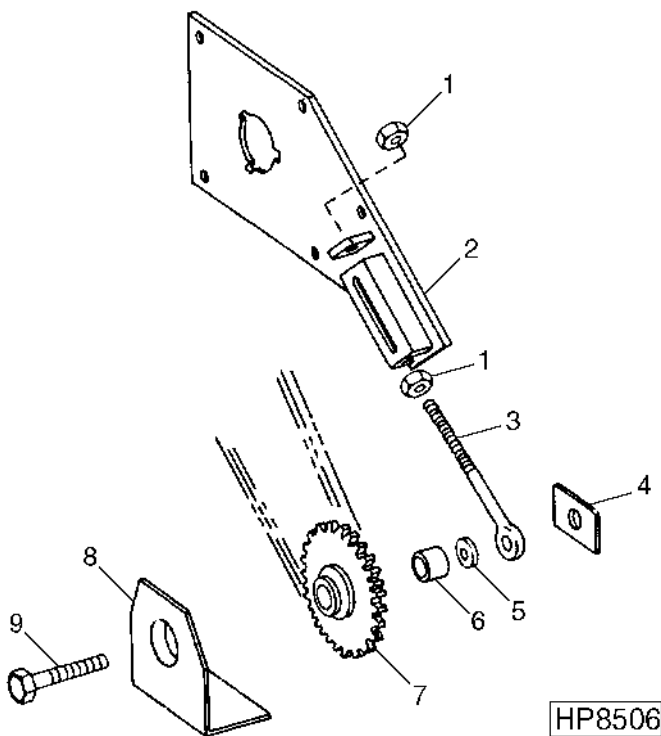
KEY	PART NO.	PART NAME	QTY	SERIAL NO.	0 H	REMARKS
					9	
					5	
					9 5	
					5 0	
					5 S	
					0 H	
1	H138435	SET SCREW	2		X X	
2	14M7274	NUT	2		X X	M10
3	22M7079	SET SCREW	1		X X	M6 X 6
4	AZ10044	ECCENTRIC LOCKING COLLAR	1		X X	
5	H103264	PRESSED FLANGED HOUSING	2		X X	
6	JD39102	BALL BEARING	1		X X	
7	AH121046	CHAIN SPROCKET	1		X X	22 TOOTH
8	49M4111	SHAFT KEY	1		X X	8 X 7 X 40 MM
9	AH125895	AUGER	1		X X	
10	03M7184	BOLT	AR		X X	M8 X 20
	14M7298	FLANGE NUT	AR		X X	M8
11	22M7079	SET SCREW	1		X X	M6 X 6
12	AZ10044	ECCENTRIC LOCKING COLLAR	1		X X	
13	H103264	PRESSED FLANGED HOUSING	2		X X	
14	JD39102	BALL BEARING	1		X X	
15	03M7184	BOLT	3		X X	M8 X 20
	14M7298	FLANGE NUT	3		X X	M8
16	H140467	BUSHING	1		X X	9.246 X 13.716 X 104.775 MM (0.364" X 0.540" X 4-1/8")
17	AH160994	SHIELD	1		X X	
18	19M8404	CAP SCREW	1		X X	M8 X 130
	14M7298	FLANGE NUT	1		X X	M8
	24M7055	WASHER	1		X X	8.400 X 16 X 1.600 MM
19	19M7862	SCREW	1		X X	M6 X 20
	14M7303	FLANGE NUT	1		X X	M6
20	AH126007	ROLLER CHAIN	1		X X	ROLLER, TYPE 50, 124 LINKS

4F11

DRIVES

UPPER TAILINGS DRIVE CHAIN TIGHTENER

HP8506 -UN-21APR99



9
5
9 5
5 0
5 S
0 H

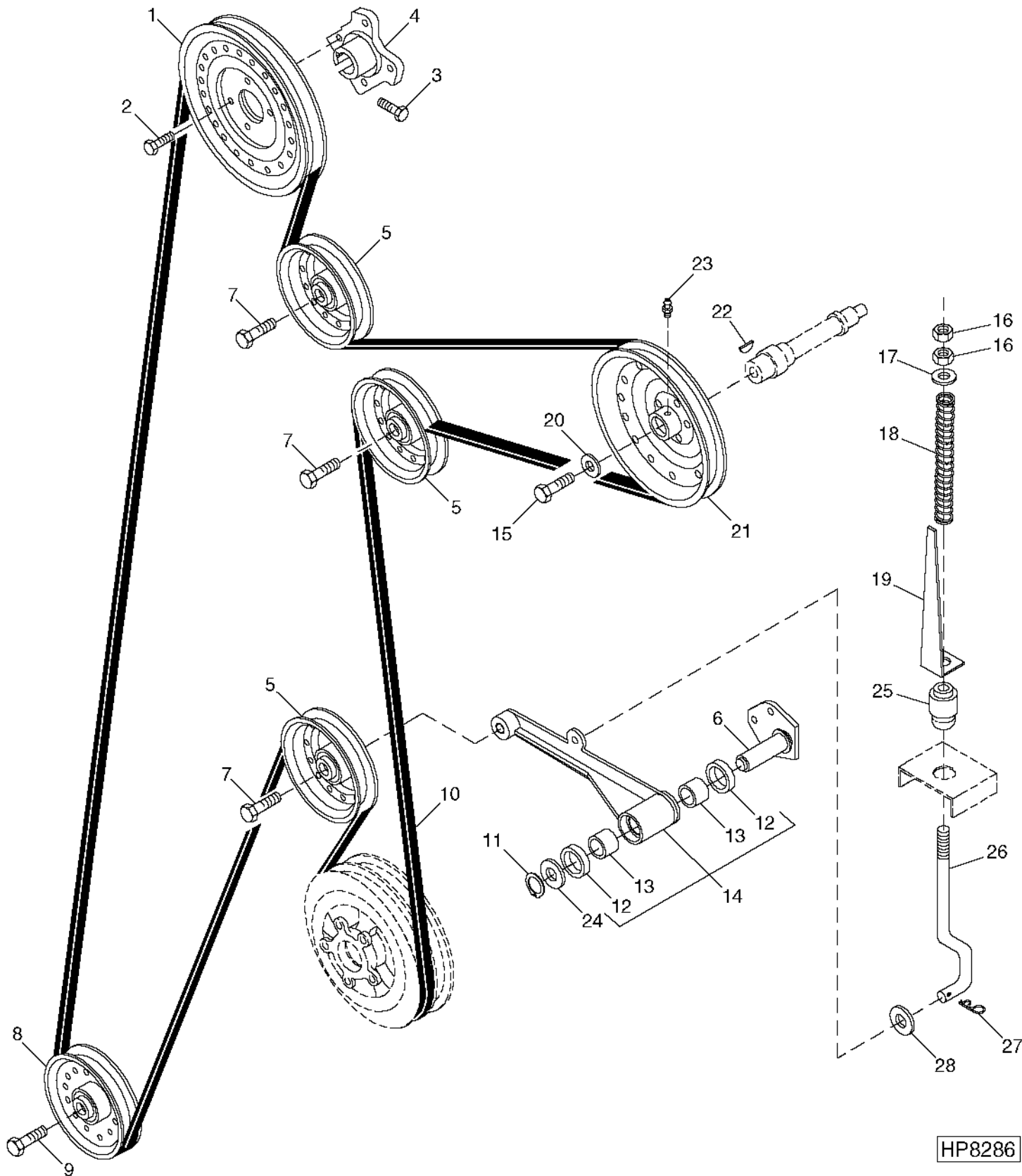
KEY	PART NO.	PART NAME	QTY	SERIAL NO.	REMARKS
1	14H809	NUT	2	X X	1/2"
2	AH128664	SUPPORT	1	X X	IDLER
3	H130956	EYEBOLT	1	X X	
4	H130957	NUT	1	X X	M12
5	24M7047	WASHER	1	X X	
6	28H1597	WASHER	1	X X	
7	AH98176	CHAIN SPROCKET	1	X X	17 TOOTH
8	H133031	SHIELD	1	X X	
9	19M7363	CAP SCREW	1	X X	M12 X 60

MEMORANDA

4F12

DRIVES

CLEAN GRAIN ELEVATOR DRIVE TIGHTENER AND IDLER
HP8286 -UN-23JUL99



4F13

DRIVES

CLEAN GRAIN ELEVATOR DRIVE TIGHTENER AND IDLER - CONTINUED

KEY	PART NO.	PART NAME	QTY	SERIAL NO.	0 H	REMARKS
					9	
					5	
					9	
					5	
					0	
					5	
					S	
					0	
					H	
1	AH135463	SHEAVE	1		X X	
2	19M7784	SCREW	4		X X	M10 X 20
3	19M7663	CAP SCREW	1		X X	M8 X 70
4	H134760	HUB	1		X X	
5	AH94450	IDLER	3		X X	
6	AH156051	SPRING PIN	1		X X	
7	19M7824	SCREW	3		X X	M16 X 60
8	AN15237	IDLER	1		X X	
9	19M7824	SCREW	1		X X	M16 X 60
10	H141166	BELT	1		X X	
11	P46402	SNAP RING	1		X X	
12	AA5607R	SEAL	2		X X	
13	H99147	BUSHING	2		X X	(SUB H171061)
	H171061	BEARING	2		X X	
14	AH146552	ARM	1		X X	
15	19M7786	SCREW	2		X X	M10 X 30
16	14M7275	NUT	2		X X	M12
17	24M7180	WASHER	1		X X	13 X 37 X 3 MM
18	H86783	SPRING	1		X X	
19	H170143	GAUGE	1		X X	
20	24H1351	WASHER	1		X X	14.275 X 38.100 X 4.166 MM
21	AH132372	SHEAVE	1		X X	GEARCASE, 11-INCH
22	26M4228	SHAFT KEY	1		X X	8 X 28 MM
23	22H836	SET SCREW	2		X X	3/8" X 1"
	14H732	NUT	2		X X	3/8"
24	24M7091	WASHER	1		X X	26 X 44 X 4 MM
25	H170141	PIVOT	1		X X	
26	H155307	BOLT	1		X X	
27	11M7021	COTTER PIN	1		X X	4 X 25 MM
28	24M7047	WASHER	1		X X	13 X 24 X 2.500 MM

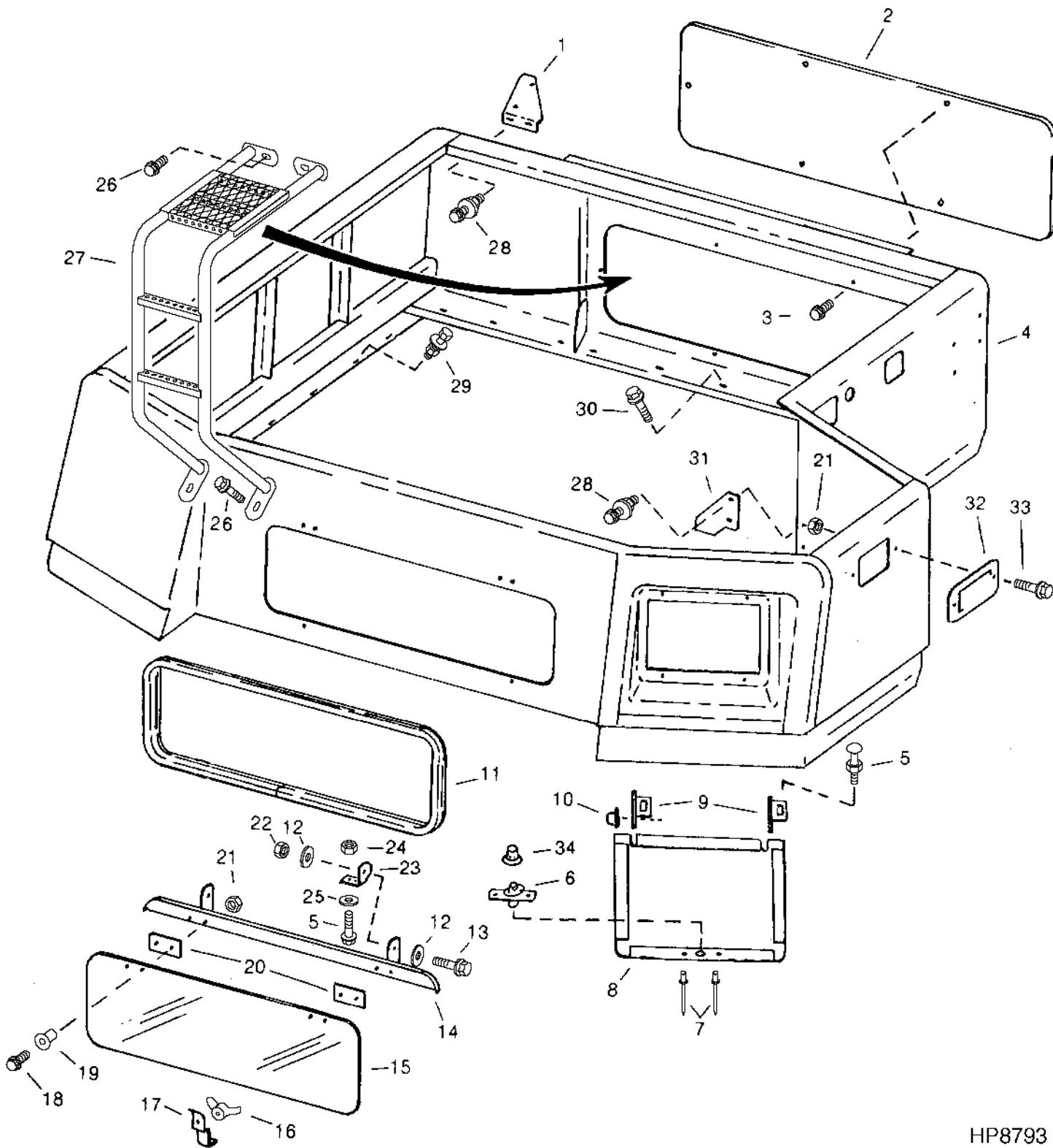
MEMORANDA

MEMORANDA

4F16

GRAIN TANK AND UNLOADING AUGER

GRAIN TANK TOP
HP8793 -UN-09JUL99



HP8793

4F17

GRAIN TANK AND UNLOADING AUGER

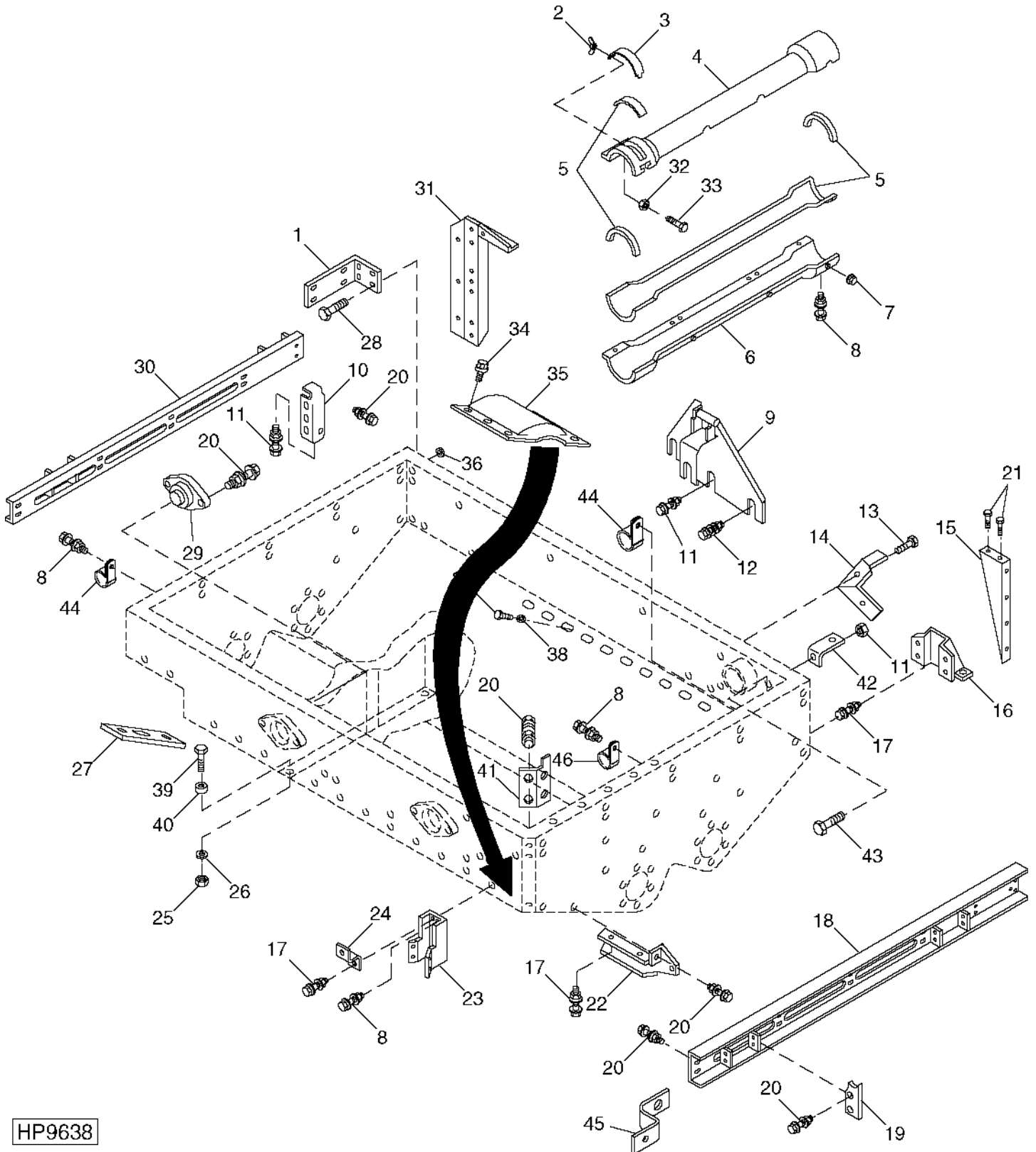
GRAIN TANK TOP - CONTINUED

KEY	PART NO.	PART NAME	QTY	SERIAL NO.	0 H	REMARKS
					9	
					5	
					9 5	
					5 0	
					5 S	
					0 H	
1	BRACKET	1		X X	
2	H127638	PANEL	1		X X	
3	19M7865	SCREW	6		X X	M8 X 16
4	AH161171	TANK	1		X X	TOP
5	03M7183	BOLT	6		X X	M8 X 16
	14M7298	FLANGE NUT	2		X X	M8
6	AH125644	LATCH	1		X X	
7	H64584	RIVET	2		X X	
8	AH122507	DOOR	1		X X	
9	H132024	HINGE	2		X X	
10	H120499	NUT	2		X X	
11	AH80335	WEATHERSTRIP	AR		X X	
12	B27370	WASHER	4		X X	0.328" X 3/4" X 0.036"
13	19M7867	SCREW	2		X X	M8 X 25
14	AH126619	REINFORCEMENT	1		X X	
15	H131675	WINDOWPANE	1		X X	
16	14M7019	WING NUT	2		X X	M6
17	H131674	LATCH	2		X X	
18	19M7862	SCREW	4		X X	M6 X 20
19	R50642	WASHER	4		X X	
20	H131673	GASKET	2		X X	
21	14M7303	FLANGE NUT	8		X X	M6
22	14M7396	LOCK NUT	2		X X	M8
23	H132542	ANGLE	2		X X	
24	14M7298	FLANGE NUT	4		X X	M8
25	M84309	NUT	4		X X	7.925 MM
26	19M7866	SCREW	4		X X	M8 X 20 M8
27	AH160622	LADDER	1		X X	
28	19M7866	SCREW	5		X X	M8 X 20
	14M7298	FLANGE NUT	5		X X	M8
29	19M7865	SCREW	13		X X	M8 X 16
	14M7298	FLANGE NUT	15		X X	M8
30	37M7058	SCREW	19		X X	M8 X 20
31	H130262	PANEL	1		X X	
32	H132666	PLATE	2		X X	
33	19M7774	SCREW	4		X X	M6 X 12, (USED ONLY WITHOUT ROW LIGHTS)
34	H121391	KNOB	1		X X	

4F18

GRAIN TANK AND UNLOADING AUGER

GRAIN TANK BASE
HP9638 -UN-24MAR00



HP9638

4F19

GRAIN TANK AND UNLOADING AUGER

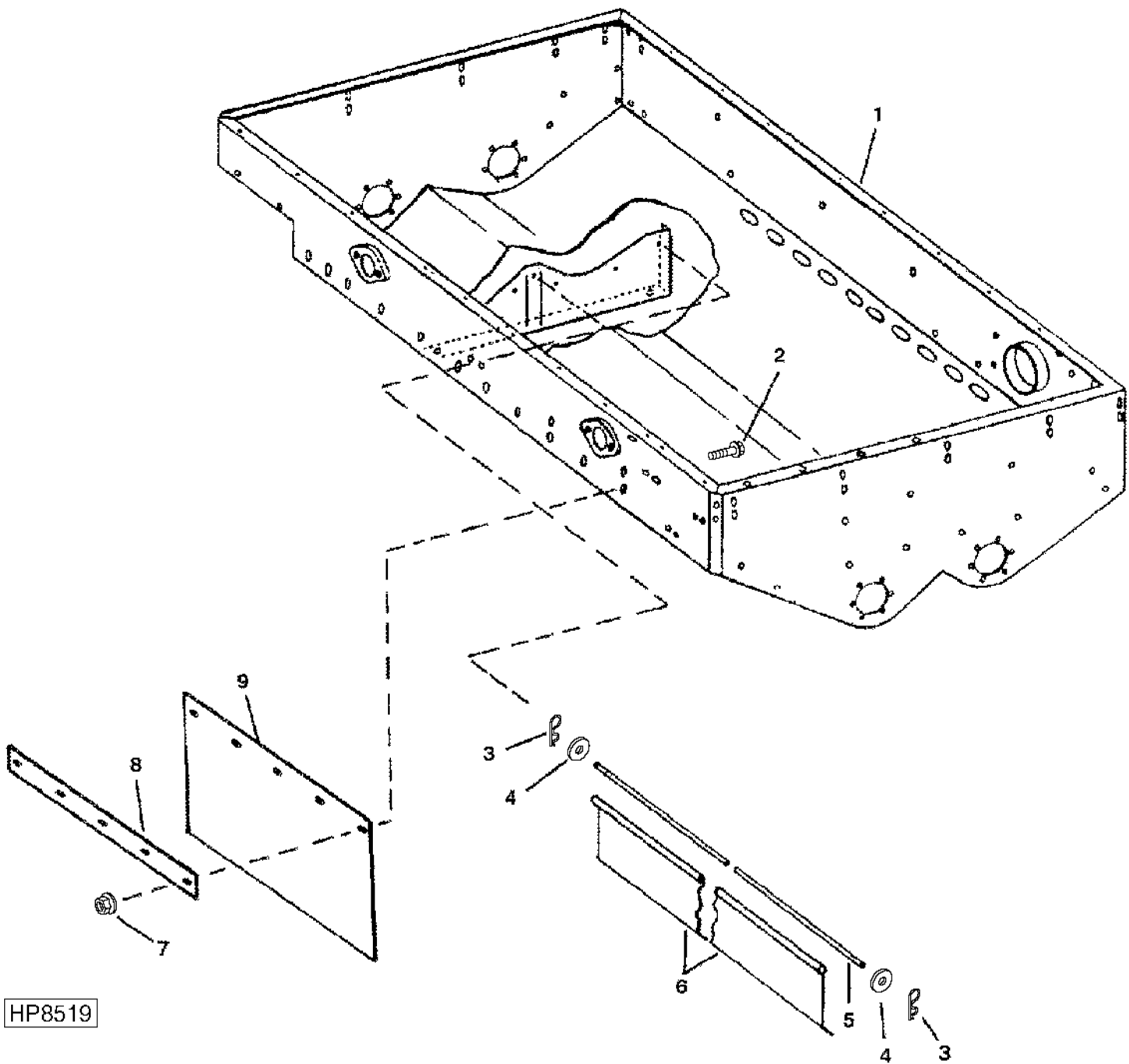
GRAIN TANK BASE - CONTINUED

KEY	PART NO.	PART NAME	QTY	SERIAL NO.	0 H	REMARKS
					9	
					5	
					9 5	
					5 0	
					5 S	
					0 H	
1	H129885	ANGLE	1		X X	
2	14M7020	WING NUT	1		X X	M8
3	H131264	COVER	1		X X	
4	H131230	HOUSING	1		X X	UPPER
5	H81330	ISOLATOR	AR		X X	
6	AH126279	DUST SHIELD	1		X X	LOWER
7	14M7298	FLANGE NUT	4		X X	M8
8	19M7865	SCREW	AR		X X	M8 X 16
	14M7298	FLANGE NUT	AR		X X	M8
9	AH128037	BRACKET	1		X X	
10	H168811	BRACKET	1		X X	
11	19M7788	SCREW	6		X X	M12 X 25
	14M7299	FLANGE NUT	7		X X	M12
12	19M7787	SCREW	6		X X	M12 X 20
	24M7180	WASHER	5		X X	13 X 37 X 3 MM
	14M7299	FLANGE NUT	5		X X	M12
13	37M7083	SCREW	2		X X	M8 X 12
14	H131227	DEFLECTOR	1		X X	
15	H147299	SUPPORT	1		X X	
16	H129588	BRACKET	1		X X	
17	19M7866	SCREW	AR		X X	M8 X 20
	14M7298	FLANGE NUT	AR		X X	M8
18	AH166714	CHANNEL	1		X X	LEFT-HAND
19	H159011	PLATE	4		X X	
20	19M7784	SCREW	AR		X X	M10 X 20
	14M7296	FLANGE NUT	AR		X X	M10
21	19M7788	SCREW	2		X X	M12 X 25
22	H127677	BRACKET	1		X X	LEFT-HAND
23	H136541	HOSE SUPPORT	1		X X	
24	H132538	HOSE SUPPORT	1		X X	
25	14M7299	FLANGE NUT	4		X X	M12
26	24M7240	WASHER	4		X X	13 X 25 X 3 MM
27	H139972	PLATE	1		X X	
28	19M7785	SCREW	5		X X	M10 X 25
29	AH108299	RUBBER MOUNT	2		X X	CAB ISOLATION
30	AH166713	CHANNEL	1		X X	RIGHT-HAND
31	AH155088	SUPPORT	1		X X	
32	M84309	NUT	1		X X	
33	03M7184	BOLT	1		X X	M8 X 20
34	H145773	SELF-LOCKING SCREW	2		X X	M10 X 35
35	AH126275	HOUSING	1		X X	
36	H141123	NUT	5		X X	10 MM
37	37M7080	SCREW	5		X X	M10 X 30
38	24H1347	WASHER	5		X X	17/32" X 2" X 0.194"
39	19M8112	SCREW	4		X X	M12 X 55
40	N61709	BUSHING	4		X X	
41	AH125814	SUPPORT	1		X X	
42	H132662	BRACKET	1		X X	
43	19M7789	SCREW	1		X X	M12 X 30
44	AH89557	CLIP	AR		X X	
45	H131628	BRACKET	1		X X	
46	AH117301	CLAMP	2		X X	

4F20

GRAIN TANK AND UNLOADING AUGER

GRAIN TANK AND CURTAINS
HP8519 -UN-28APR99



HP8519

4F21

GRAIN TANK AND UNLOADING AUGER

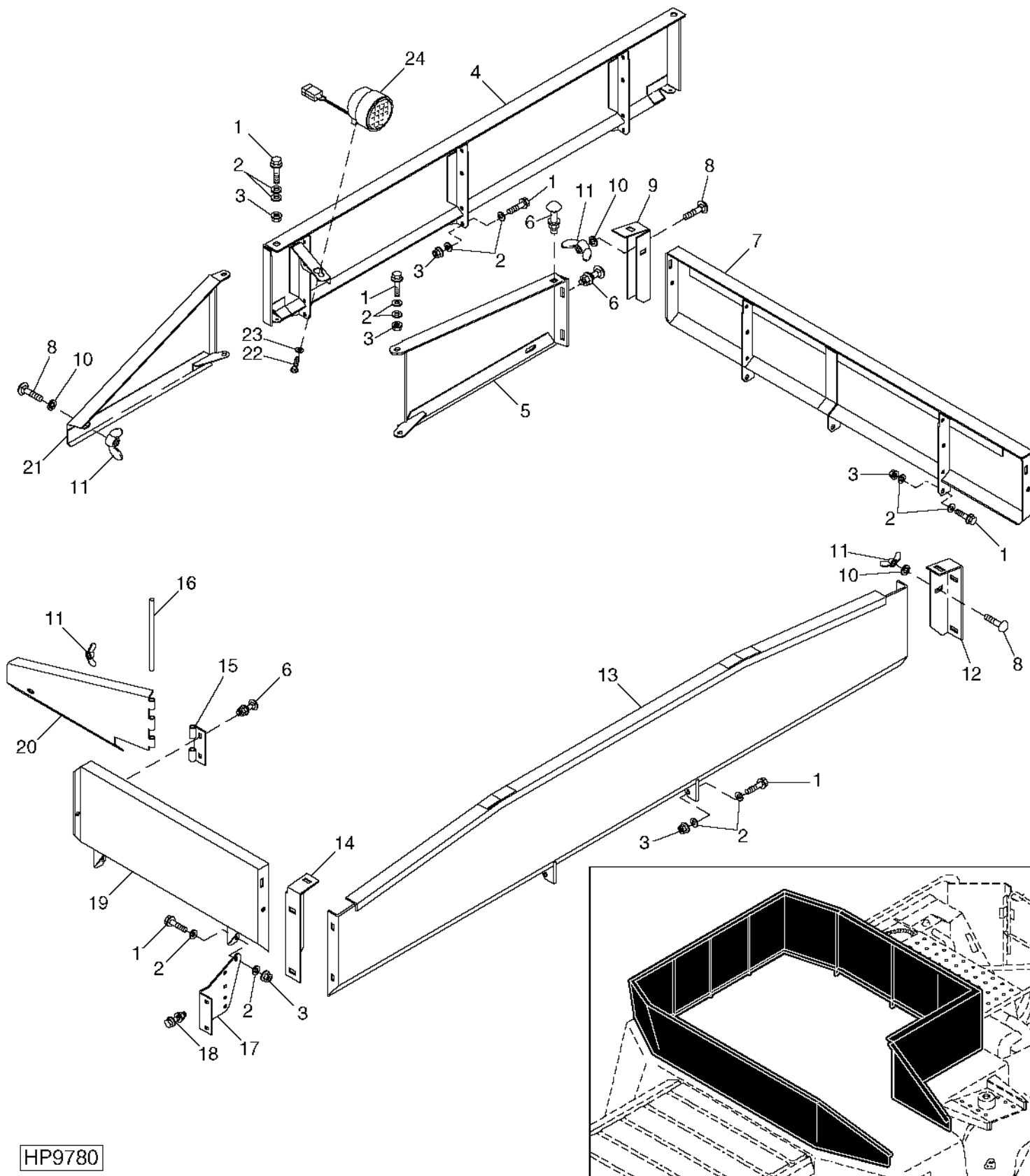
GRAIN TANK AND CURTAINS - CONTINUED

KEY	PART NO.	PART NAME	QTY	SERIAL NO.	9 5 9 5 5 0 5 S 0 H	REMARKS
1	AH151714	TANK	1		X X	BASE
2	03M7193	BOLT	6		X X	M10 X 35
3	A15147	SPRING LOCKING PIN	2		X X	
4	T20217	WASHER	2		X X	
5	H144825	PIPE	1		X X	(USE WITH H144823)
	H76863	PIN	1		X	(USE WITH H145516)
6	H144823	LIMIT CURTAIN	1		X X	RUBBER (CORN AND GRAIN)
	H145516	DEFLECTOR	1		X	STEEL (RICE)
7	14M7400	LOCK NUT	1		X X	M10
8	H148116	PLATE	1		X X	
9	H148056	LIMIT CURTAIN	1		X X	
..	AH168093	KIT	1		X X	STAINLESS STEEL TROUGH LINER

4F22

GRAIN TANK AND UNLOADING AUGER

GRAIN TANK EXTENSIONS
HP9780 -UN-31MAY00



HP9780

4F23

GRAIN TANK AND UNLOADING AUGER

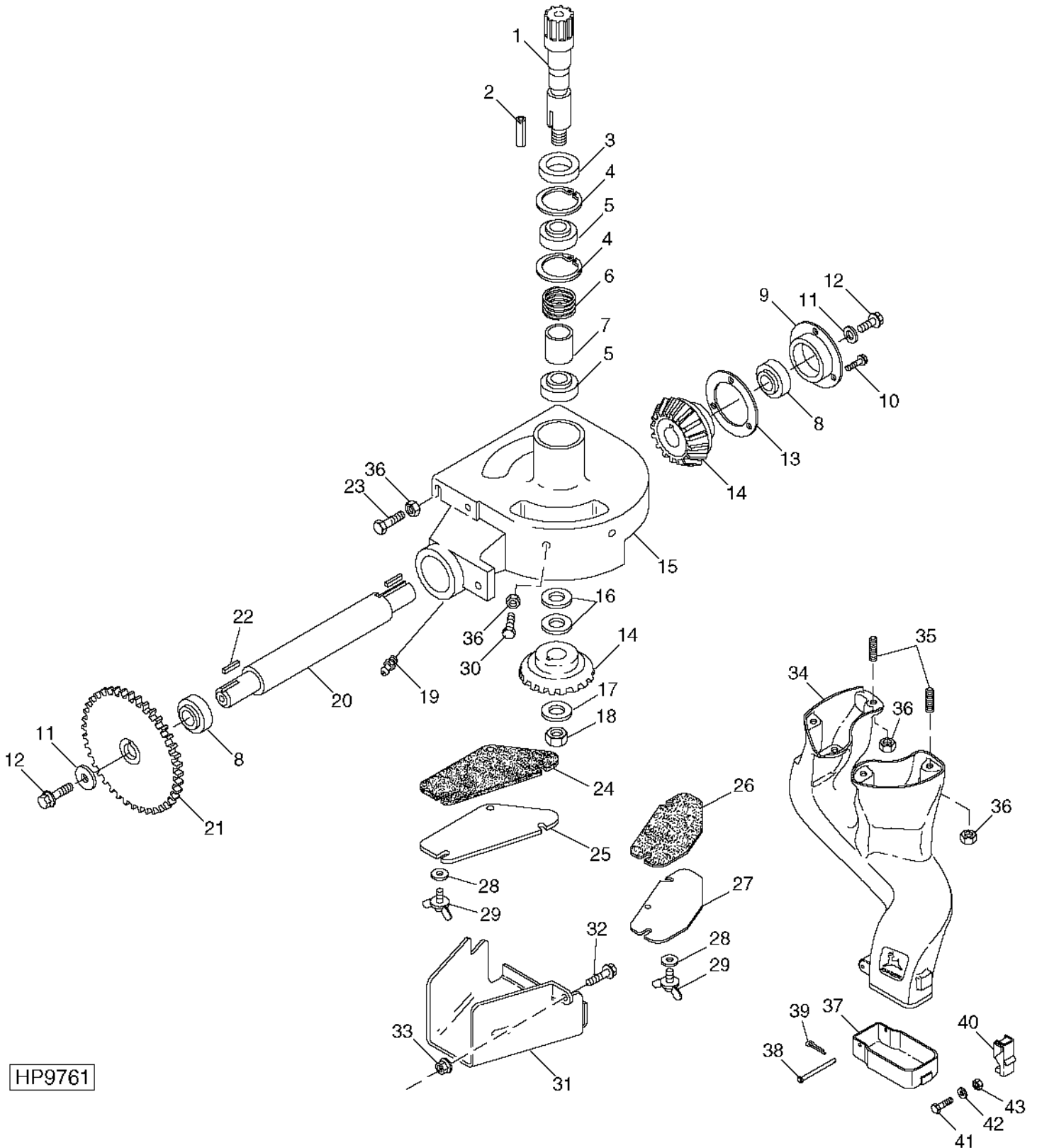
GRAIN TANK EXTENSIONS - CONTINUED

KEY	PART NO.	PART NAME	QTY	SERIAL NO.	0 H	REMARKS
					9	
					5	
					9 5	
					5 0	
					5 S	
					0 H	
1	19M7867	SCREW	AR		X X	M8 X 25
2	24H1290	WASHER	AR		X X	21/64" X 3/4" X 0.035"
3	14M7396	LOCK NUT	AR		X X	M8
4	AH151878	PANEL	1		X X	
5	AH122265	PANEL	1		X X	R.H. FRONT
6	03M7184	BOLT	AR		X X	M8 X 20
	14M7298	FLANGE NUT	AR		X X	M8
7	AH163508	PANEL	1		X X	R.H. EXTENSION
8	03M7184	BOLT	6		X X	M8 X 20
9	H127250	REINFORCEMENT	1		X X	R.H. FRONT CORNER
10	M84309	NUT	6		X X	7.925 MM (5/16")
11	14M7020	WING NUT	6		X X	M8
12	H125753	BRACKET	1		X X	R.H. REAR CORNER
13	AH135229	PANEL	1		X X	
14	H125752	BRACKET	1		X X	L.H. REAR CORNER
15	H125670	HINGE	1		X X	
16	H99599	DOWEL PIN	1		X X	
17	H164404	BRACKET	2		X X	
18	19M7866	SCREW	AR		X X	M8 X 20
	14M7298	FLANGE NUT	AR		X X	M8
19	AH135225	PANEL	1		X X	
20	H125671	PANEL	1		X X	L.H. OUTER
21	AH122264	PANEL	1		X X	L.H. FRONT
22	19H2351	CAP SCREW	1		X X	1/2" X 1/2"
23	24M7180	WASHER	1		X X	13 X 37 X 3 MM
24	AH148210	HEADLIGHT	1		X X	

4F24

GRAIN TANK AND UNLOADING AUGER

VERTICAL AUGER LOWER GEAR CASE
HP9761 -UN-23MAY00



HP9761

4F25

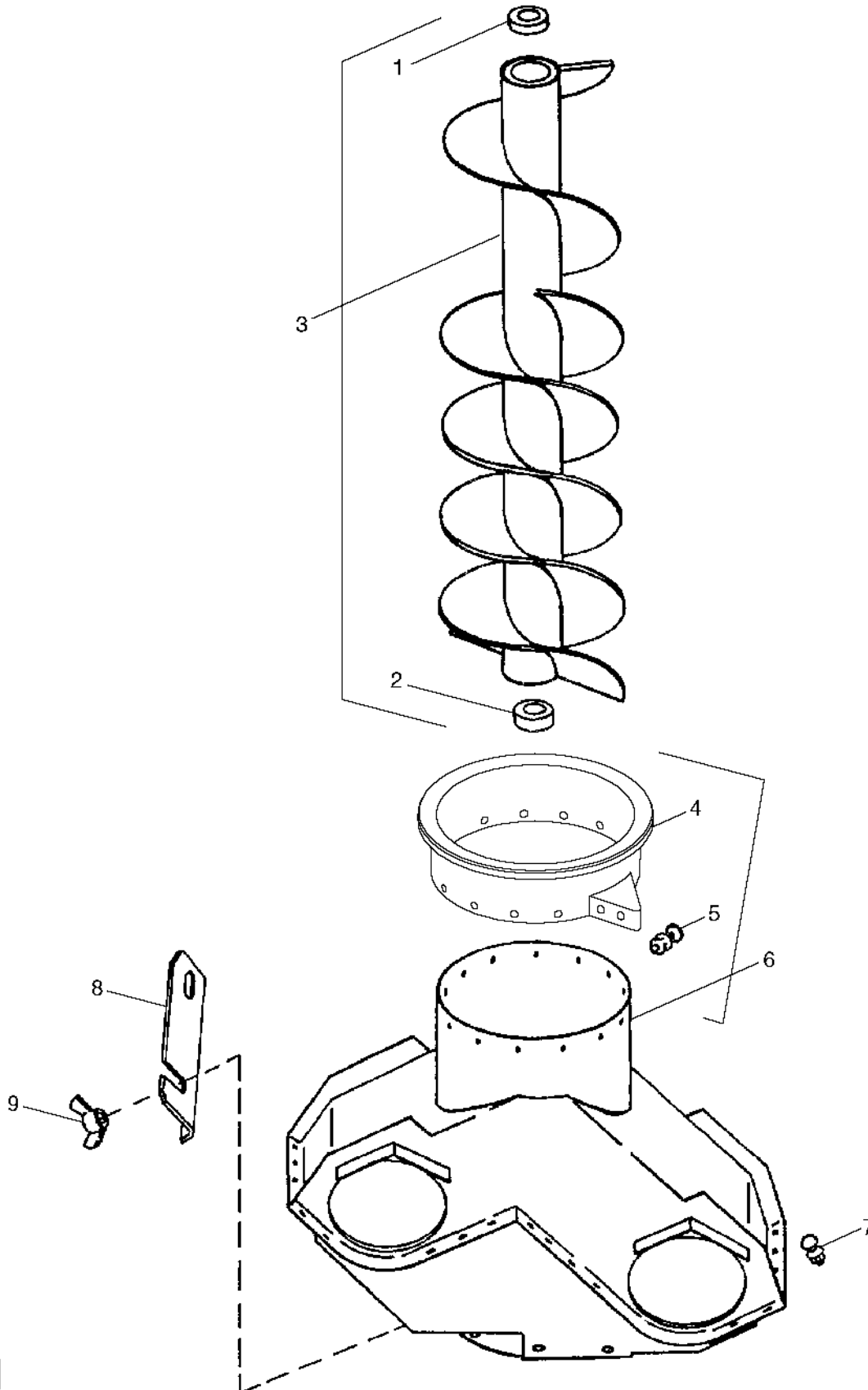
GRAIN TANK AND UNLOADING AUGER

VERTICAL AUGER LOWER GEAR CASE - CONTINUED

KEY	PART NO.	PART NAME	QTY	SERIAL NO.	9550		REMARKS
					0	H	
1	H96169	SHAFT	1		X	X	LOWER
2	KEY	2		X	X	10 MM X 10 MM X 32 MM (3/8" X 3/8" X 1-1/4") (CUT FROM H64376 IN AH64587 KEY STOCK KIT)
3	AH90963	SEAL	1		X	X	
4	N71921	SNAP RING	2		X	X	
5	AH96585	BEARING	2		X	X	
6	H96267	SPRING	1		X	X	
7	H96149	BUSHING	1		X	X	
8	JD8524	BEARING	2		X	X	
9	H113053	BEARING HOUSING W/O BEARING	1		X	X	
10	19M7785	SCREW	3		X	X	M10 X 25
11	H129716	WASHER	2		X	X	17 X 58 X 8 MM
12	19M7843	SCREW	2		X	X	M16 X 35
13	AH138955	KIT	1		X	X	SHIM
14	H96294	GEAR	2		X	X	23 TOOTH
15	H130137	CASE	1		X	X	
16	24H1533	SHIM	2		X	X	0.018"
17	24H1433	WASHER	1		X	X	29/32" X 2-1/4" X 1/4"
18	H113238	FLANGE NUT	1		X	X	
19	JD7759	LUBRICATION FITTING	1		X	X	
20	H129653	SHAFT	1		X	X	
21	AH125080	DRIVE SPROCKET	1		X	X	REGULAR SPEED (46 TOOTH)
	AH146352	DRIVE SPROCKET	1		X	X	SLOW SPEED (40 TOOTH)
22	KEY	1		X	X	10 MM X 10 MM X 38 MM (3/8" X 3/8" X 1-1/2") (CUT FROM H64376 IN AH64587 KEY STOCK)
23	19M7835	SCREW	1		X	X	M10 X 35
24	H135192	SEAL	1		X	X	FRONT
25	H136572	COVER	1		X	X	FRONT
26	H135193	SEAL	1		X	X	REAR
27	H136573	COVER	1		X	X	REAR
28	24M7178	WASHER	5		X	X	10.500 X 30 X 2.500 MM
29	21M7236	WING SCREW	5		X	X	M10 X 16
30	19M7786	SCREW	8		X	X	M10 X 30
31	H171385	SHIELD	1		X	X	
32	19M7789	SCREW	1		X	X	M12 X 30
33	14M7299	FLANGE NUT	1		X	X	M12
34	AH167433	CHUTE	1		X	X	
35	22M7149	SET SCREW	5		X	X	M10 X 30
36	14M7296	FLANGE NUT	14		X	X	M10
37	H173223	CAP	1		X	X	
38	M112271	PIN	1		X	X	
39	J16931	SPRING LOCKING PIN	1		X	X	
40	AH168300	LATCH	1		X	X	
41	21M7284	SCREW	4		X	X	M3 X 16
42	24M7029	SHIM	4		X	X	
43	14M7196	NUT	4		X	X	M3

4G1

VERTICAL UNLOADING AUGER AND CHARGE HOUSING
HP8269 -UN-13JUL99



HP8269

4G2

GRAIN TANK AND UNLOADING AUGER

VERTICAL UNLOADING AUGER AND CHARGE HOUSING - CONTINUED

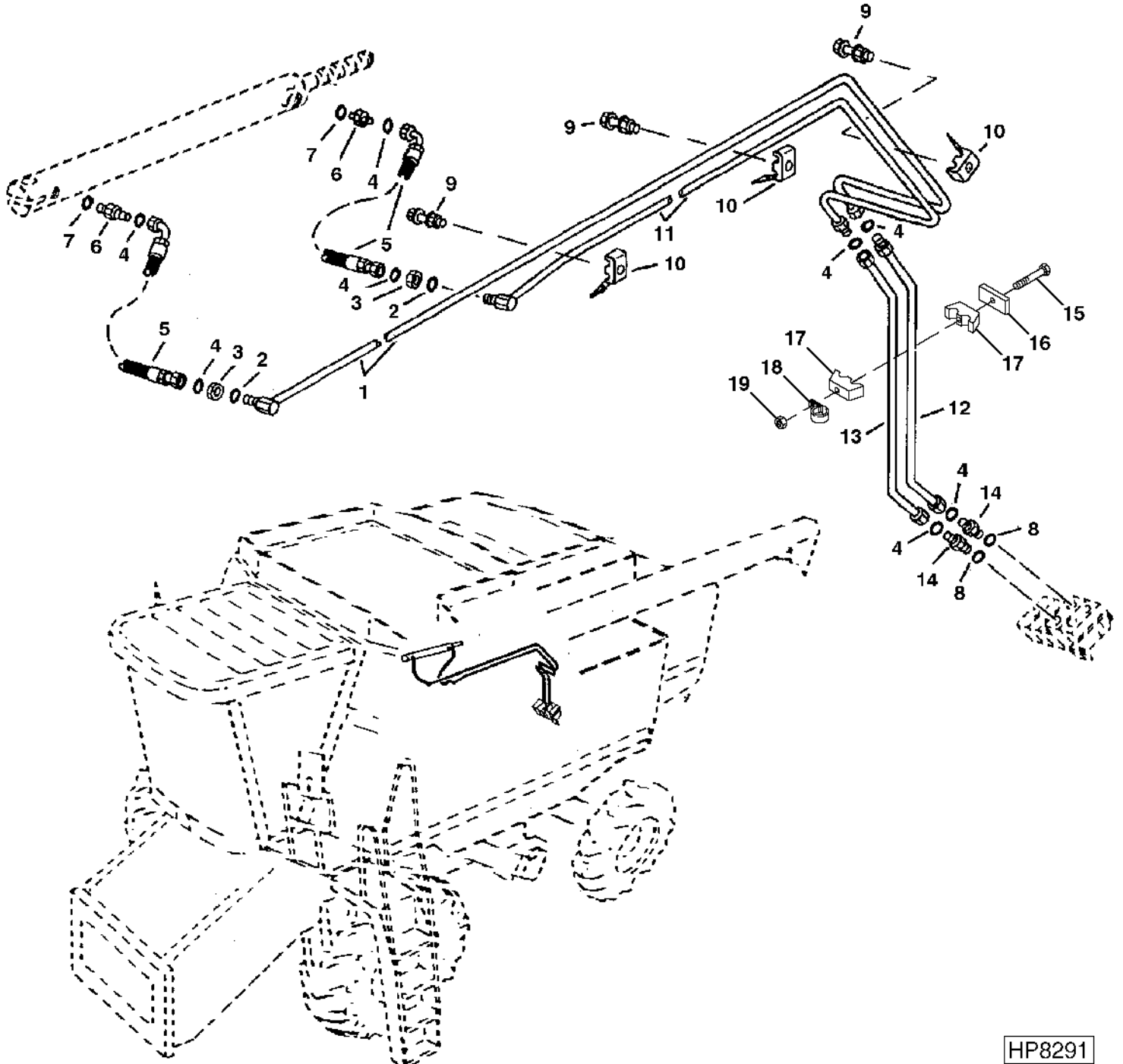
KEY	PART NO.	PART NAME	QTY	SERIAL NO.	9 5 9 5 5 0 5 S 0 H	REMARKS
1	H128861	SPLINED COUPLING	1		X X	
2	AH124878	EXTERNAL HALF COUPLER	1		X X	
3	AH124852	AUGER	1		X X	REGULAR
	AH140081	AUGER	1		X X	GRASS
	AH154962	AUGER	1		X X	(HIGH WEAR)
4	H146775	RING	1		X X	
5	03M7198	BOLT	12		X X	M12 X 30
	14M7299	FLANGE NUT	12		X X	M12
6	AH140713	HOUSING	1		X X	
7	03M7190	BOLT	30		X X	M10 X 20
	14M7296	FLANGE NUT	30		X X	M10
8	H130771	PLATE	1		X X	
9	14M7020	WING NUT	2		X X	M8

4G3

GRAIN TANK AND UNLOADING AUGER

UNLOADING AUGER SWING CYLINDER LINES AND HOSES

HP8291 -UN-19MAR99



HP8291

UNLOADING AUGER SWING CYLINDER LINES AND HOSES - CONTINUED

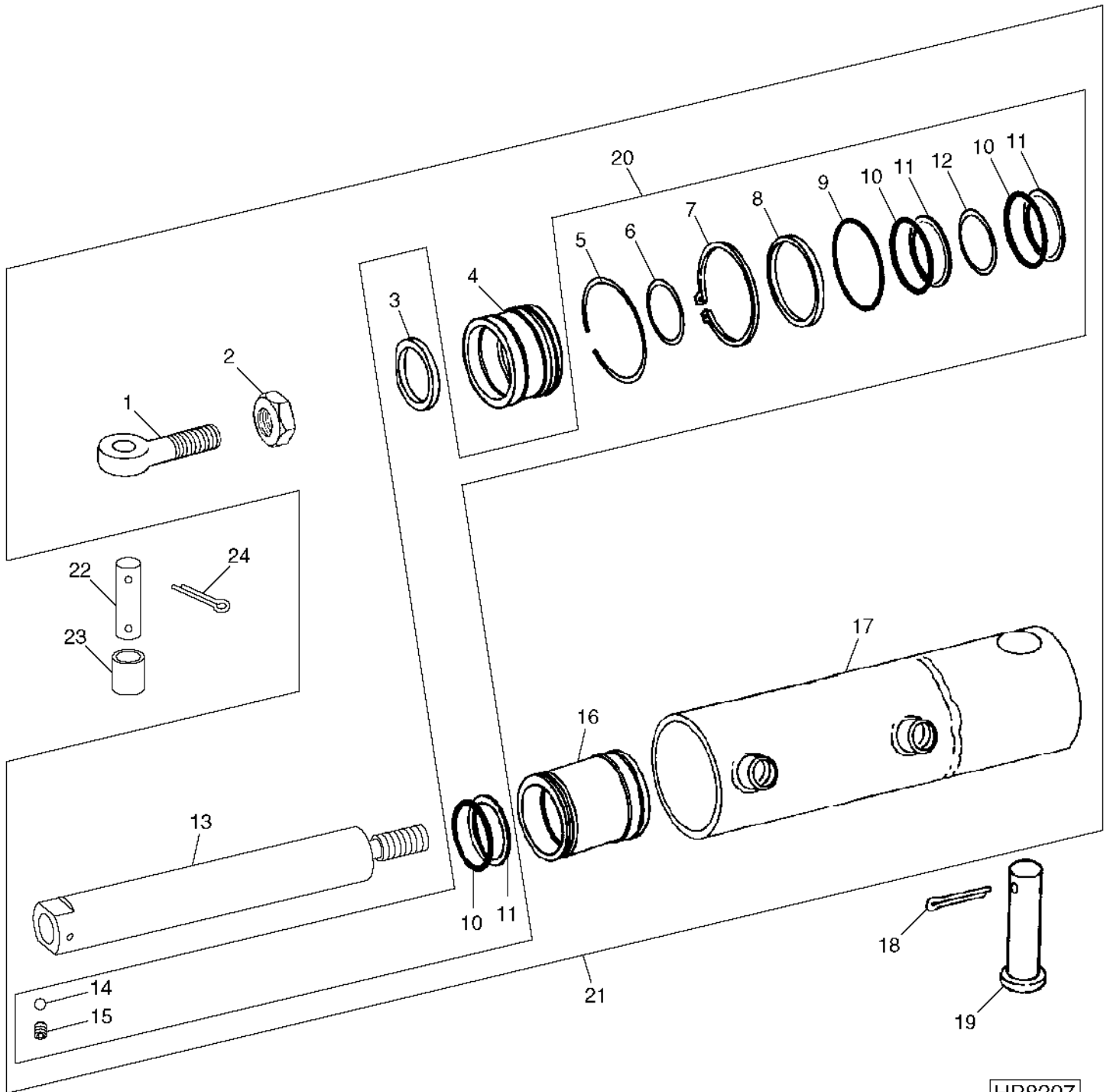
KEY	PART NO.	PART NAME	QTY	SERIAL NO.	0 H	REMARKS
					9	
					5	
					9 5	
					5 0	
					5 S	
					0 H	
1	AH128641	HYDRAULIC LINE	1		X X	(EXTEND)
2	24M7114	WASHER	2		X X	19 X 30 X 4 MM
3	T81029	NUT	2		X X	17.475 MM
4	T77613	O-RING	8		X X	9.246 X 1.778 MM
5	AH130581	HYDRAULIC HOSE	2		X X	11/16" X 780 MM X 11/16"
6	38H1160	ADAPTER	2		X X	
7	R26448	O-RING	2		X X	11.887 X 1.981 MM
8	R26375	O-RING	2		X X	16.358 X 2.210 MM
9	19M7868	SCREW	3		X X	M8 X 30
	14M7298	FLANGE NUT	3		X X	M8
10	H108745	CLAMP	3		X X	
11	AH128642	HYDRAULIC LINE	1		X X	(RETRACT)
12	AH128855	HYDRAULIC LINE	1		X X	(EXTEND)
13	AH128854	HYDRAULIC LINE	1		X X	(RETRACT)
14	38H1171	ADAPTER	2		X X	
15	19M8317	SCREW	1		X X	M8 X 40
16	H121163	COVER	1		X X	
17	H128515	CLAMP	1		X X	
18	H75541	CLAMP	1		X X	
19	14M7298	FLANGE NUT	1		X X	M8

4G5

GRAIN TANK AND UNLOADING AUGER

UNLOADING AUGER SWING CYLINDER AND MOUNTING

HP8297 -UN-02JUN99



HP8297

4G6

GRAIN TANK AND UNLOADING AUGER

UNLOADING AUGER SWING CYLINDER AND MOUNTING - CONTINUED

KEY	PART NO.	PART NAME	QTY	SERIAL NO.	0 H	REMARKS
					9	
					5	
					9	
					5	
					0	
					5	
					S	
					0	
					H	
1	H150926	EYEBOLT	1		X X	
2	14H904	NUT	1		X X	19.050 MM
3	SEAL	1		X X	
4	BEARING	1		X X	
5	SNAP RING	1		X X	
6	SEAL	1		X X	
7	RING	1		X X	
8	WASHER	1		X X	
9	O-RING	1		X X	
10	O-RING	1		X X	
11	RING	1		X X	
12	O-RING	1		X X	
13	H150920	ROD	1		X X	
14	L36230	BALL	1		X X	4.500 MM
15	22H897	SET SCREW	1		X X	6.350 X 6.350 MM
16	PISTON	1		X X	
17	HYDRAULIC CYLINDER BARREL	1		X X	
18	11H218	COTTER PIN	1		X X	
19	R56930	PIN	1		X X	
20	AH146043	KIT	1		X X	
21	AH145030	HYDRAULIC CYLINDER	1		X X	
22	H138930	PIN	1		X X	
23	M131544	SPACER	1		X X	
24	11M7038	COTTER PIN	2		X X	6.300 X 40 MM

4G8

GRAIN TANK AND UNLOADING AUGER

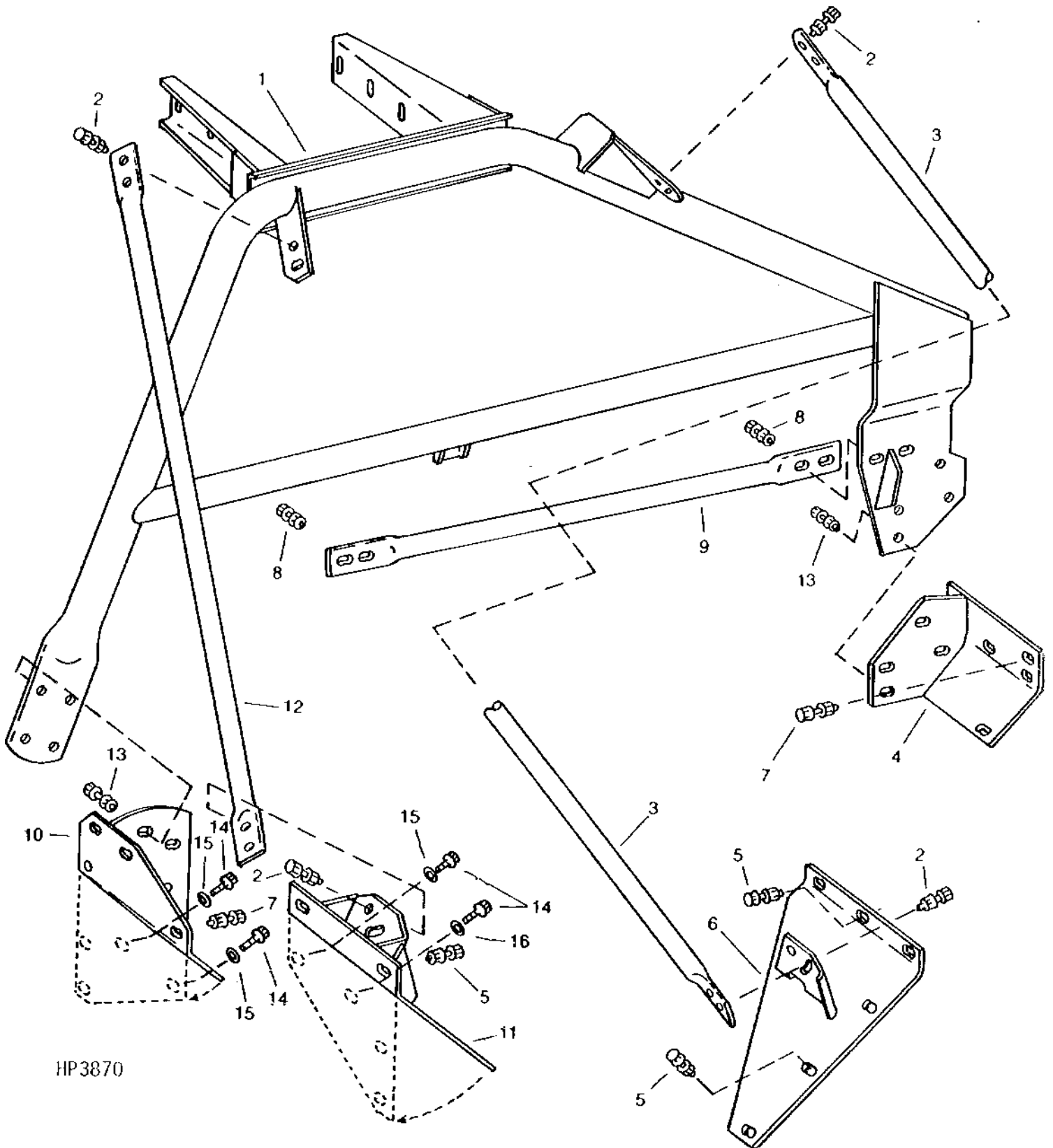
HORIZONTAL UNLOADING AUGER SWIVEL - CONTINUED

KEY	PART NO.	PART NAME	QTY	SERIAL NO.	9550		REMARKS
					0	H	
1	AH162400	HOUSING	1		X	X	
2	JD7781	LUBRICATION FITTING	1		X	X	90° X 21.336 MM LONG (0.840" LONG) 90 DEGREE
3	H110168	SCREW	1		X	X	
4	AH123912	SUPPORT	1		X	X	
5	E12379	NUT	6		X	X	1/8"
6	19M7785	SCREW	8		X	X	M10 X 25
7	24H1305	WASHER	1		X	X	13/32" X 13/16" X 0.065"
8	19H1732	CAP SCREW	1		X	X	3/8" X 1-1/4"
	E55662	FLANGE NUT	1		X	X	3/8"
9	H116351	STRAP	1		X	X	
10	24M7207	WASHER	4		X	X	8.400 X 24 X 2 MM
11	14H785	NUT	4		X	X	5/16"
12	H96652	DOOR	1		X	X	
13	WEATHERSTRIP	AR		X	X	(CUT FROM H81330)
14	H133178	CLAMP	1		X	X	
15	AH136153	STRAP	1		X	X	
16	19M7786	SCREW	4		X	X	M10 X 30
	24H1311	WASHER	4		X	X	13/32" X 1-1/4" X 0.220"
	14M7296	FLANGE NUT	4		X	X	M10
17	03M7190	BOLT	2		X	X	M10 X 20
	14M7296	FLANGE NUT	2		X	X	M10
18	A15147	SPRING LOCKING PIN	2		X	X	
19	H138930	PIN	1		X	X	22.070 X 118 MM (0.869" X 4.646")
20	H147752	PLATE	1		X	X	
21	H137227	RING	1		X	X	
22	03M7353	BOLT	12		X	X	M12 X 30
	14M7299	FLANGE NUT	12		X	X	M12
23	H131356	SECTOR	3		X	X	
24	19M7784	SCREW	8		X	X	M10 X 20
25	AH136553	HOSE	2		X	X	
26	AH136554	HOSE	1		X	X	

4G9

GRAIN TANK AND UNLOADING AUGER

AUGER SWIVEL SUPPORT AND BRACES
HP3870 -UN-01JAN94



HP3870

4G10

GRAIN TANK AND UNLOADING AUGER

AUGER SWIVEL SUPPORT AND BRACES - CONTINUED

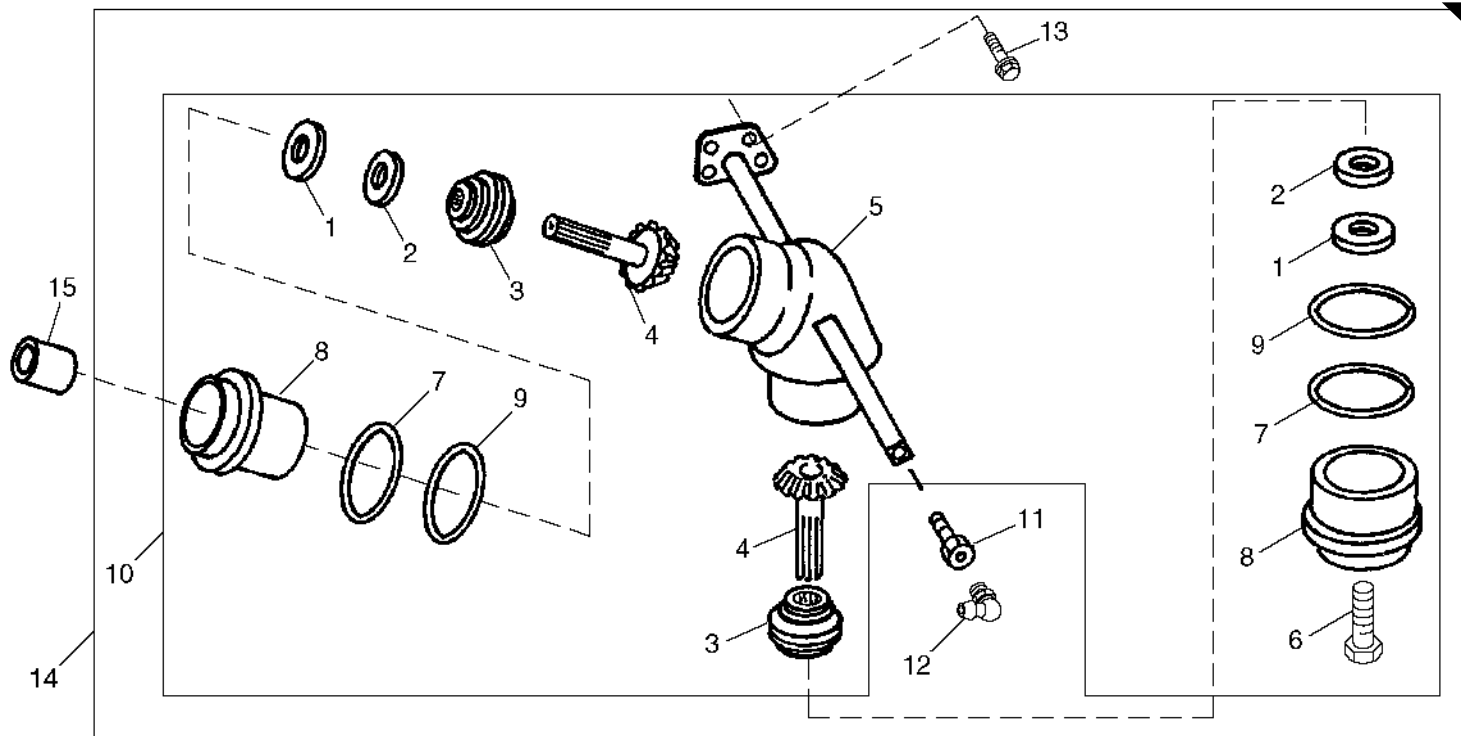
KEY	PART NO.	PART NAME	QTY	SERIAL NO.	0 H	REMARKS
					9	
					5	
					9 5	
					5 0	
					5 S	
					0 H	
1	AH140790	FRAME	1		X X	
2	19M7793	SCREW	12		X X	M16 X 40
	14M7291	FLANGE NUT	12		X X	M16
3	H131256	BRACE	1		X X	
4	AH126281	ANCHOR	1		X X	LEFT HAND FRONT
5	19M7789	SCREW	6		X X	M12 X 30
	14M7299	FLANGE NUT	6		X X	M12
6	AH126283	ANCHOR	1		X X	RIGHT HAND FRONT
7	19M7788	SCREW	6		X X	M12 X 25
	14M7299	FLANGE NUT	6		X X	M12
8	19M7843	SCREW	4		X X	M16 X 35
	14M7291	FLANGE NUT	4		X X	M16
9	H131261	BRACE	1		X X	CHARGE HOUSING
10	AH126282	ANCHOR	1		X X	LEFT HAND REAR
11	AH126284	ANCHOR	1		X X	RIGHT HAND REAR
12	H131259	BRACE	1		X X	
13	19M7793	SCREW	8		X X	M16 X 40
	14M7291	FLANGE NUT	8		X X	M16
14	19M7791	SCREW	4		X X	M12 X 40
15	24H1347	WASHER	3		X X	
16	24H1380	WASHER	1		X X	

4G12

GRAIN TANK AND UNLOADING AUGER

HORIZONTAL UNLOADING AUGER DRIVE GEAR CASE

HP8241 -UN-27JUL99



HP8241

KEY	PART NO.	PART NAME	QTY	SERIAL NO.	9 5 9 5 5 0 5 S 0 H	REMARKS
1	AH98118	SEAL	2		X X	
2	H99613	WASHER	2		X X	
3	DE18970	BEARING	2		X X	
4	CE18278	PINION SHAFT	2		X X	
5	CE18401	HOUSING	1		X X	
6	19M7881	SCREW	6		X X	M8 X 20
7	CE16800	O-RING	2		X X	
8	CE18074	SLEEVE	1		X X	
9	CE18075	SHIM	2		X X	
10	DE19067	GEAR CASE	1		X X	
11	H110168	SCREW	1		X X	M16 X 60
12	JD7781	LUBRICATION FITTING	1		X X	
13	19M7785	SCREW	4		X X	M10 X 25
14	AH164609	GEAR CASE	1		X X	
15	N72989	BUSHING	1		X X	

4G13

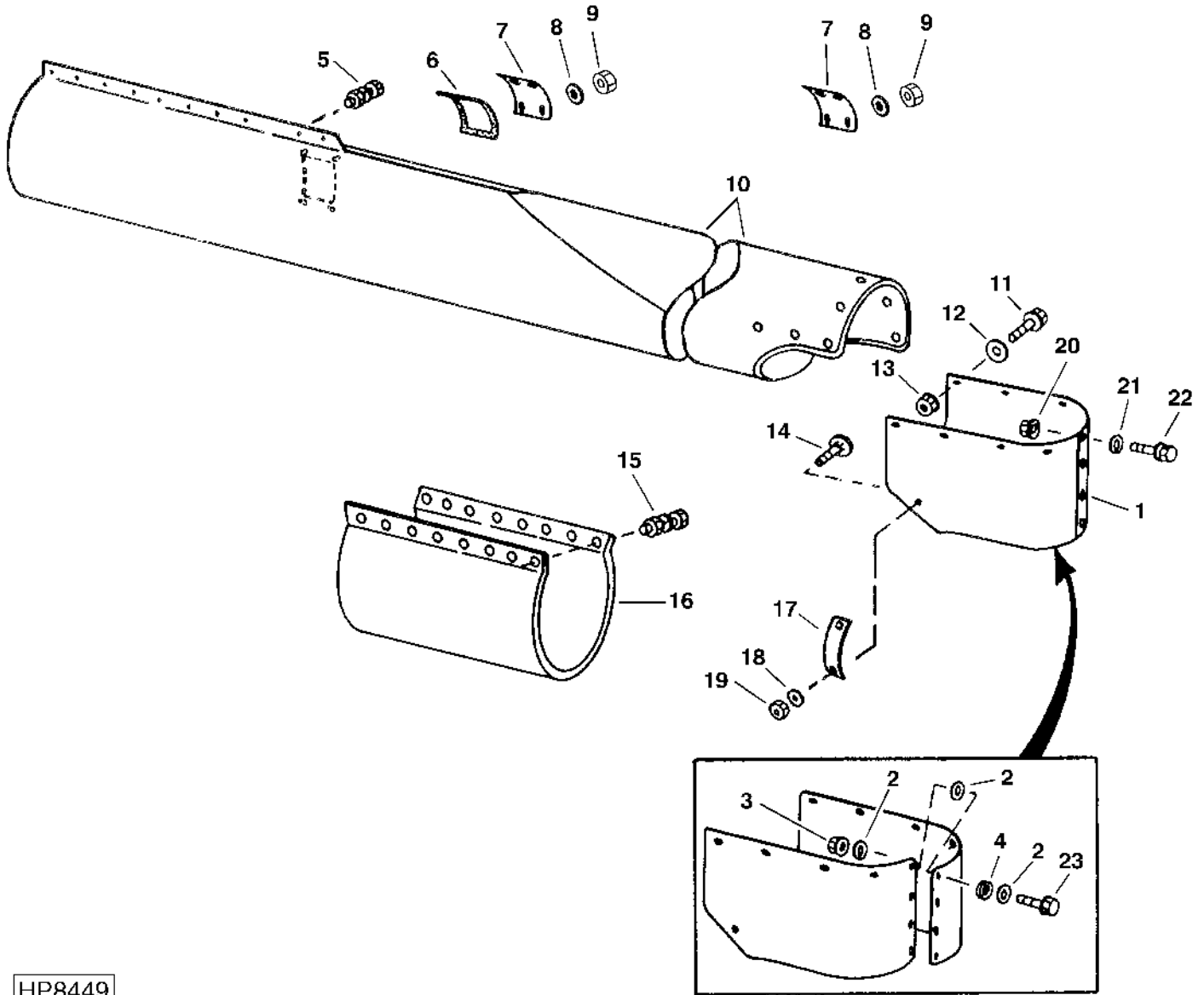
GRAIN TANK AND UNLOADING AUGER

HORIZONTAL UNLOADING AUGER HOUSING

(17 AND 20 FT.)

HP8449

-UN-09APR99



HP8449

4G14

GRAIN TANK AND UNLOADING AUGER

HORIZONTAL UNLOADING AUGER HOUSING - CONTINUED (17 AND 20 FT.)

KEY	PART NO.	PART NAME	QTY	SERIAL NO.	REMARKS
					9
					5
					9 5
					5 0
					5 S
					0 H
1	H149780	SPOUT	1	X X	(USE WITH 17FT AND 20FT AUGERS)
2	28H5	WASHER	3	X X	0.269" X 0.405" X 1/4"
3	14M7303	FLANGE NUT	3	X X	M6
4	24H1291	WASHER	9	X X	
5	19M7868	SCREW	11	X X	M8 X 30
	14M7396	LOCK NUT	11	X X	M8
6	WEATHERSTRIP	1	X X	CUT FROM H81330 (USE WITH THE 20FT AUGER)
7	H96652	DOOR	2	X X	(USE WITH THE 20FT AUGER)
8	24M7207	WASHER	8	X X	(USE WITH THE 20FT AUGER)
9	14H785	NUT	8	X X	5/16", (USE WITH THE 20FT AUGER)
10	AH145049	HOUSING	1	X X	5.2M RIGID
	AH140335	HOUSING	1	X X	(17FT. AUGER) (PERFORATED, 3670MM LONG)
	AH145050	HOUSING	1	X X	6.1M RIGID
	AH113392	HOUSING	1	X X	(20FT. AUGER) (PERFORATED, 4585MM LONG)
	AH145047	HOUSING	1	X X	4.3M (14FT.) RIGID
	AH145048	HOUSING	1	X X	4.3M (14FT.) PERFORATED
11	19M7867	SCREW	8	X X	M8 X 25
12	24M7207	WASHER	8	X X	
13	14M7298	FLANGE NUT	8	X X	M8
14	03M7184	BOLT	2	X X	M8 X 20
15	19M7897	SCREW	10	X X	M8 X 35
	14M7298	FLANGE NUT	10	X X	M8
16	H127998	COVER	1	X X	(17FT. AUGER) (USE WITH PERFORATED AUGER HOUSING)
	H100027	COVER	1	X X	(20FT. AUGER) (USE WITH PERFORATED AUGER HOUSING)
17	H141450	STRAP	1	X X	
18	24H1291	WASHER	4	X X	
19	14M7298	FLANGE NUT	2	X X	M8
20	14M7298	FLANGE NUT	1	X X	M8
21	24H1291	WASHER	1	X X	
22	19M7867	SCREW	2	X X	M8 X 25
23	19M7863	SCREW	3	X X	M6 X 25
	19M7796	SCREW	3	X X	M6 X 30

4G15

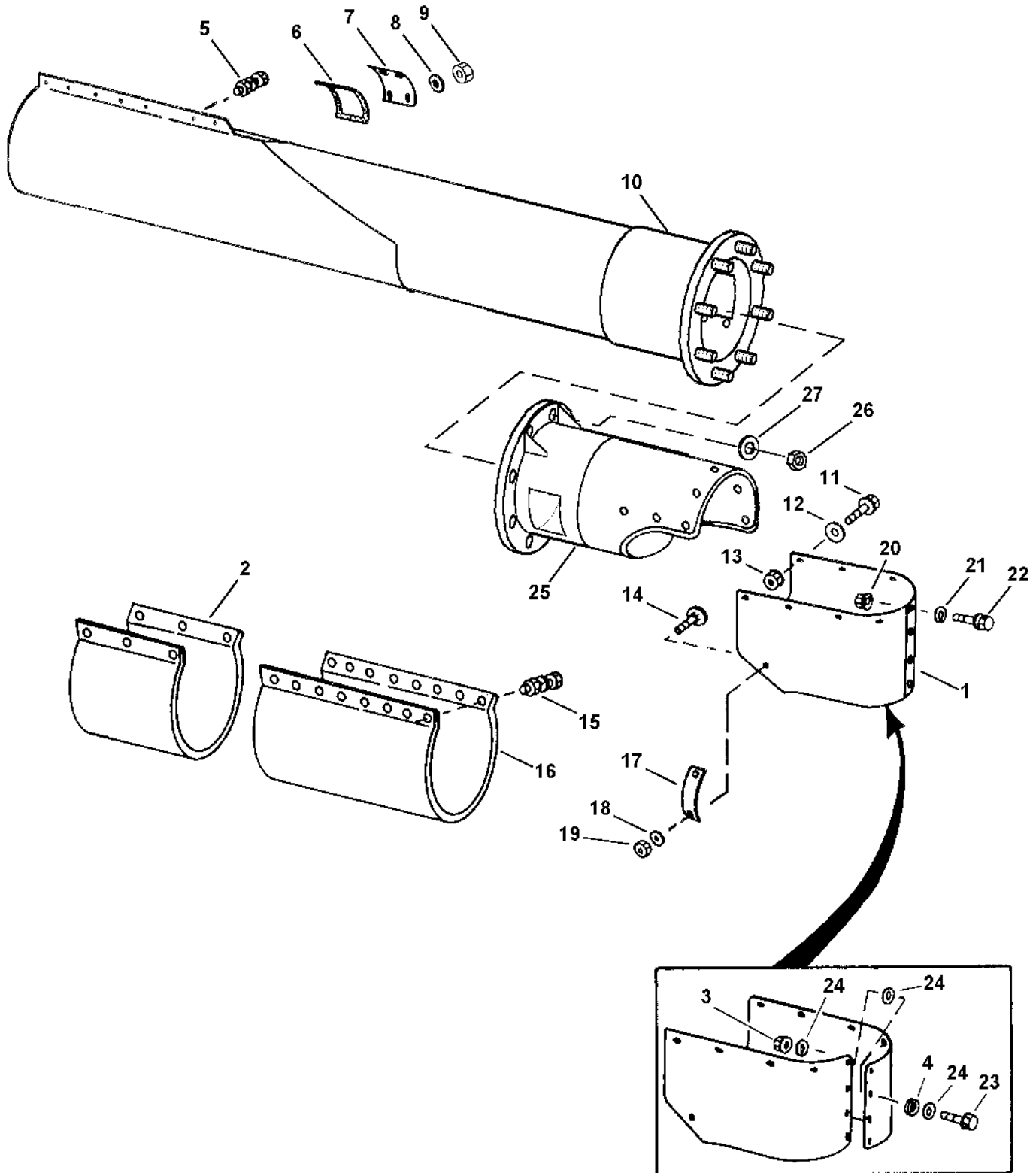
GRAIN TANK AND UNLOADING AUGER

HORIZONTAL UNLOADING AUGER HOUSING (EXPORT)

(17 AND 20 FT.)

HP7526

-UN-04MAY98



HP7526

4G16

GRAIN TANK AND UNLOADING AUGER

HORIZONTAL UNLOADING AUGER HOUSING (EXPORT) - CONTINUED (17 AND 20 FT.)

KEY	PART NO.	PART NAME	QTY	SERIAL NO.	REMARKS
					9
					5
					9 5
					5 0
					5 S
					0 H
1	H149780	SPOUT	1	X X	USE WITH 17FT AND 20FT AUGERS
2	H159784	COVER	1	X X	UNLOADING AUGER
3	14M7303	FLANGE NUT	3	X X	M6
4	24H1291	WASHER	9	X X	21/64" X 1-15/32" X 7/64"
5	19M7868	SCREW	11	X X	M8 X 30
	14M7396	LOCK NUT	11	X X	M8
6	WEATHERSTRIP	1	X X	CUT FROM H81330 (USE WITH THE 20FT AUGER)
7	H96652	DOOR	2	X X	USE WITH THE 20FT AUGER
8	24M7207	WASHER	8	X X	8.400 X 24 X 2 MM, USE WITH THE 20FT AUGER
9	14H785	NUT	8	X X	5/16", USE WITH THE 20FT AUGER
10	AH151407	HOUSING	1	X X	INNER
	AH151411	HOUSING	1	X X	6.1M RIGID, OUTER
11	19M7867	SCREW	8	X X	M8 X 25
12	24M7207	WASHER	8	X X	8.400 X 24 X 2 MM
13	14M7298	FLANGE NUT	8	X X	M8
14	03M7184	BOLT	2	X X	M8 X 20
15	19M7897	SCREW	10	X X	M8 X 35
	14M7298	FLANGE NUT	10	X X	M8
16	H127998	COVER	1	X X	(17FT. AUGER) USE WITH PERFORATED AUGER HOUSING
	H100027	COVER	1	X X	(20FT. AUGER) USE WITH PERFORATED AUGER HOUSING
17	H141450	STRAP	1	X X	
18	24H1291	WASHER	4	X X	21/64" X 1-15/32" X 7/64"
19	14M7298	FLANGE NUT	2	X X	M8
20	14M7298	FLANGE NUT	1	X X	M8
21	24H1291	WASHER	1	X X	21/64" X 1-15/32" X 7/64"
22	19M7867	SCREW	2	X X	M8 X 25
23	19M7863	SCREW	3	X X	M6 X 25
	19M7796	SCREW	3	X X	M6 X 30
24	28H5	WASHER	3	X X	0.269" X 0.405" X 1/4"
25	AH151408	HOUSING	1	X X	5.2M PERFORATED, INNER
	AH151409	HOUSING	1	X X	6.1M PERFORATED, OUTER
	AH151410	HOUSING	1	X X	5.2M RIGID, OUTER
26	14M7296	FLANGE NUT	8	X X	M10
27	24M7207	WASHER	8	X X	8.400 X 24 X 2 MM

4G17

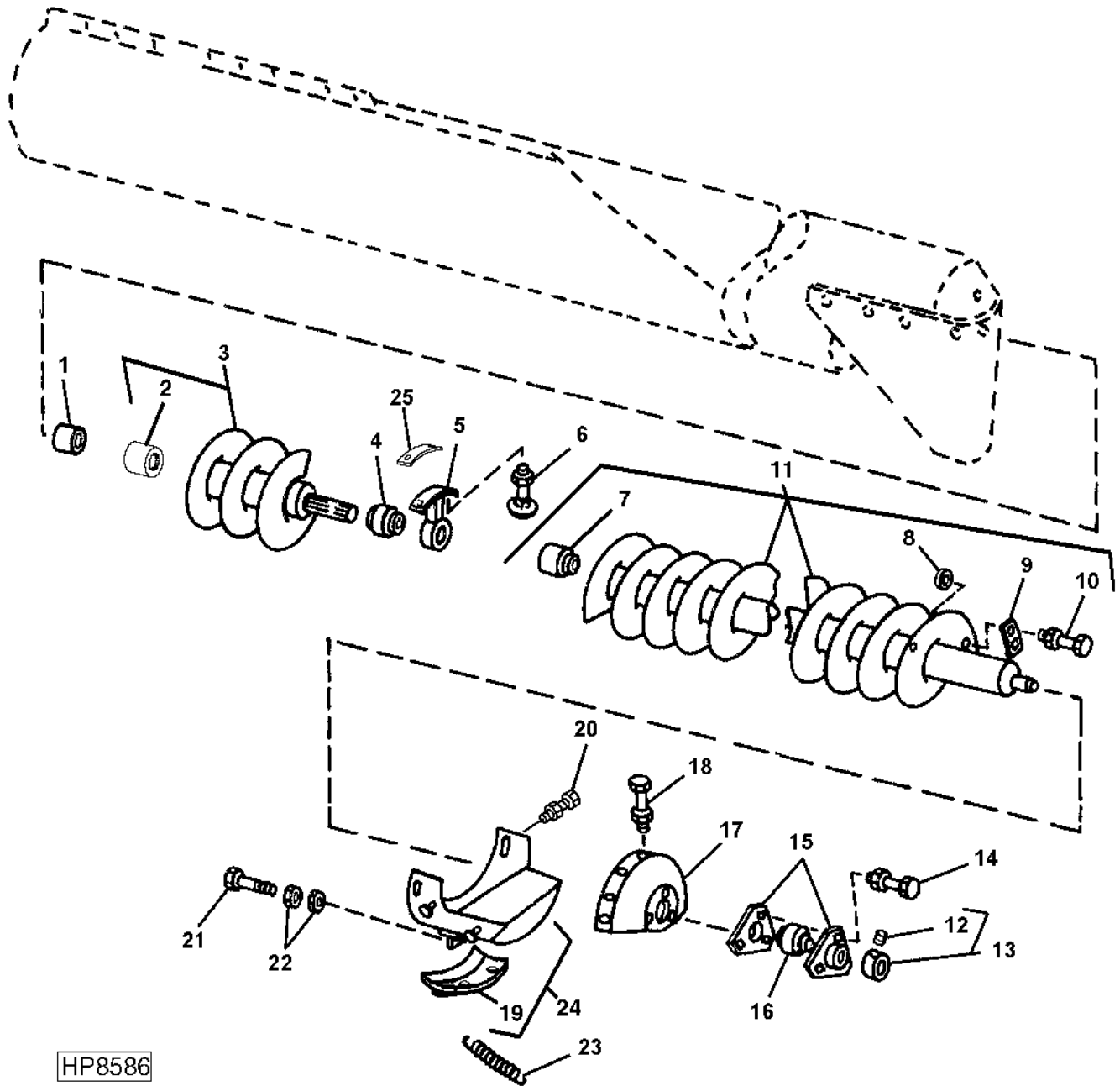
GRAIN TANK AND UNLOADING AUGER

HORIZONTAL UNLOADING AUGER

(17- AND 20-FT.)

HP8586

-UN-11JUN99



HP8586

4G18

GRAIN TANK AND UNLOADING AUGER

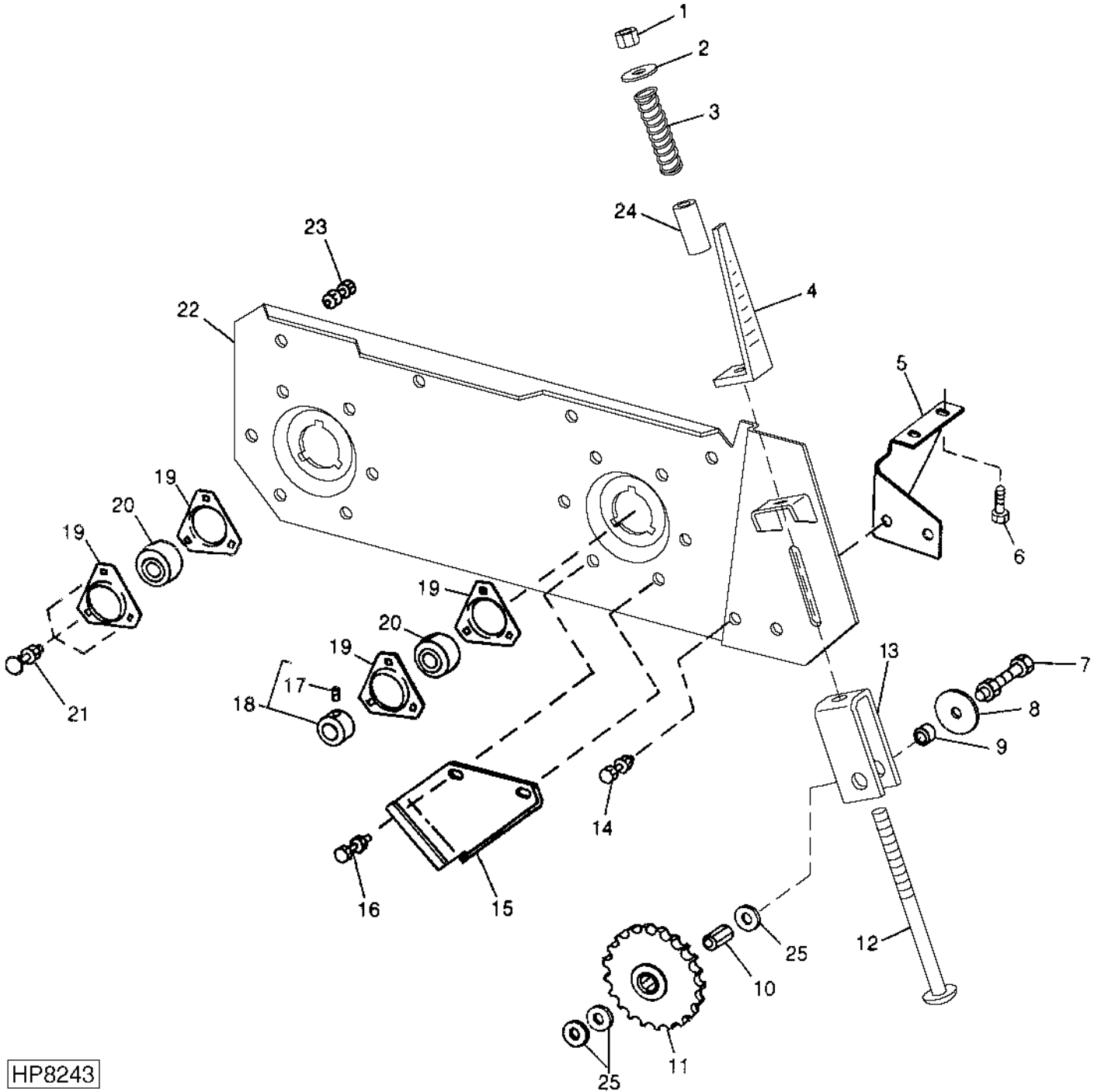
HORIZONTAL UNLOADING AUGER - CONTINUED (17- AND 20- FT.)

KEY	PART NO.	PART NAME	QTY	SERIAL NO.	9 5 9 5 5 0 5 S 0 H	REMARKS
1	N72989	BUSHING	1		X X	
2	H116292	SPLINED COUPLING	1		X X	
3	AH112435	AUGER	1		X X	(5.2M & 6.1M AUGER)
	AH151413	AUGER	1		X X	(5.2M OUTER, EXPORT ONLY)
	AH151414	AUGER	1		X X	(6.1M, OUTER, EXPORT ONLY)
4	JD9373	BALL BEARING	1		X X	
5	H114873	HOUSING	1		X X	
6	03M7193	BOLT	2		X X	M10 X 35
	14M7296	FLANGE NUT	2		X X	M10
7	AH122717	GUDGEON	1		X X	
8	24H1300	WASHER	6		X X	9.931 X 50.800 X 5.588 MM
	24H1311	WASHER	6		X X	10.312 X 31.750 X 5.588 MM
9	H119566	STRIP	2		X X	100 MM (4") LONG
	H119567	STRIP	2		X X	125 MM (5") LONG
	H119568	STRIP	4		X X	150 MM (6") LONG
10	03H1495	BOLT	2		X X	9.525 X 38.100 MM
	03H1557	BOLT	2		X X	9.525 X 31.750 MM
	K40003	LOCK NUT	4		X X	9.525 MM
11	AH143727	AUGER	1		X X	(5.2M OUTER, INCLUDES BALANCE WEIGHT)
	AH143731	AUGER	1		X X	(6.1M OUTER, INCLUDES BALANCE WEIGHT)
	AH151403	AUGER	1		X X	(5.2 & 6.1M, INNER EXPORT ONLY)
12	22H897	SET SCREW	1		X X	1/4" X 1/4"
13	JD8554	ECCENTRIC LOCKING COLLAR	1		X X	
14	03M7184	BOLT	3		X X	M8 X 20
	14M7298	FLANGE NUT	3		X X	M8
15	H103264	PRESSED FLANGED HOUSING	2		X X	
16	JD8665	BALL BEARING	1		X X	
17	H96645	CAP	1		X X	
18	19M7866	SCREW	5		X X	M8 X 20
	14M7298	FLANGE NUT	5		X X	M8
19	Z24604	HINGE	1		X X	(USE WITH AH132230)
20	03M7183	BOLT	2		X X	M8 X 16
	14M7298	FLANGE NUT	2		X X	M8
21	19M7868	SCREW	1		X X	M8 X 30
22	14M7298	FLANGE NUT	2		X X	M8
23	J18468	SPRING	2		X X	
24	AH132230	DOOR	1		X X	(INCLUDES Z24604)
25	H158817	PLATE	1		X X	(EXPORT ONLY)

4G19

GRAIN TANK AND UNLOADING AUGER

CROSS AUGER BEARING PLATE - L.H.
HP8243 -UN-05MAR99



HP8243

4G20

GRAIN TANK AND UNLOADING AUGER

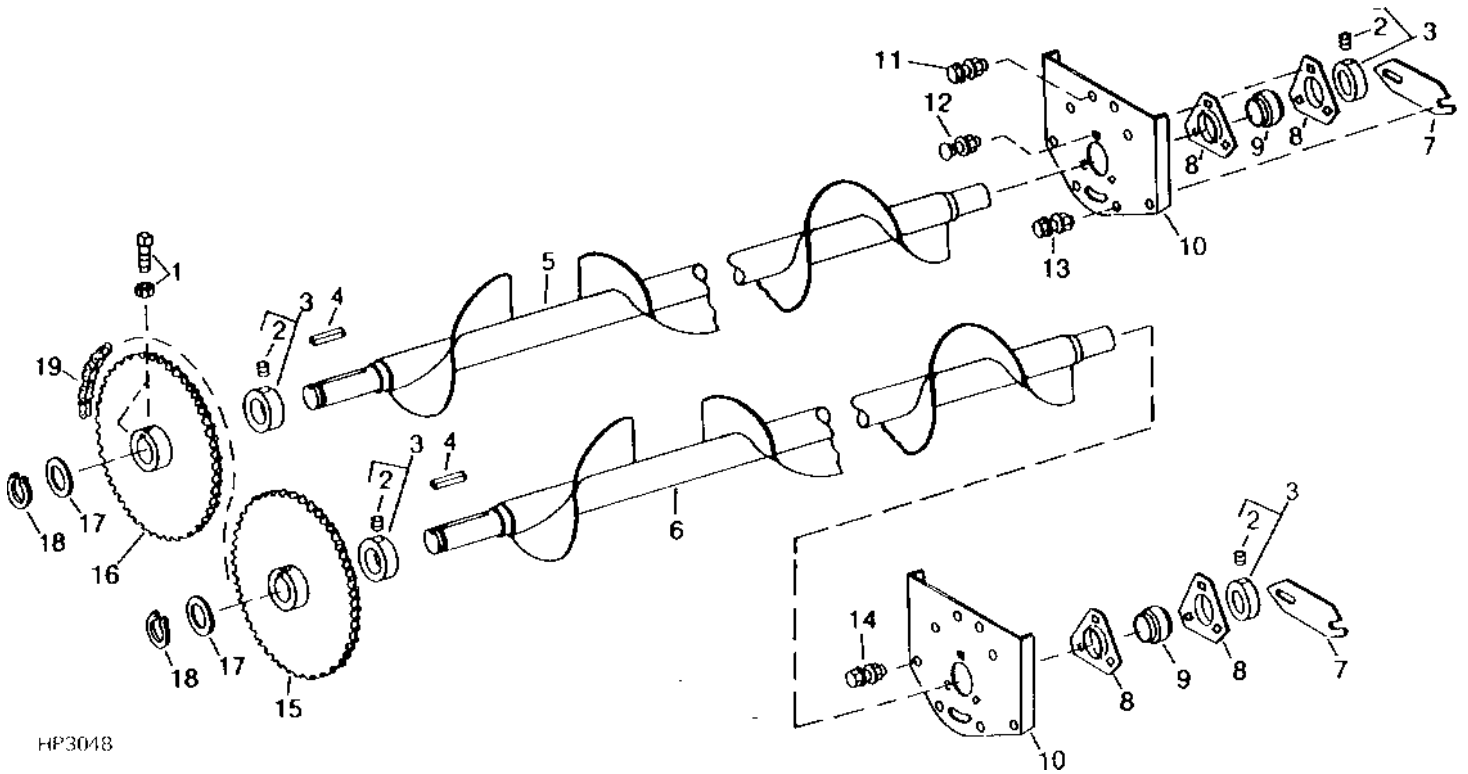
CROSS AUGER BEARING PLATE - L.H. - CONTINUED

KEY	PART NO.	PART NAME	QTY	SERIAL NO.	0 H	REMARKS
					9	
					5	
					9 5	
					5 0	
					5 S	
					0 H	
1	14M7275	NUT	1		X X	M12
2	24H1346	WASHER	1		X X	17/32" X 1-3/4" X 0.120"
3	R35542	SPRING	1		X X	
4	H127923	GAUGE	1		X X	
5	H127922	REINFORCEMENT	1		X X	
6	19M7784	SCREW	2		X X	M10 X 20
7	19M7364	CAP SCREW	1		X X	M12 X 80
	14M7299	FLANGE NUT	1		X X	M12
8	24H1916	WASHER	1		X X	17/32" X 3-1/2" X 0.180"
9	A22724	WASHER	1		X X	
10	H114395	SPACER	1		X X	
11	AH106606	CHAIN SPROCKET	1		X X	24-TOOTH
12	H163787	BOLT	1		X X	
13	H119996	CHANNEL	1		X X	IDLER SUPPORT
14	19M7866	SCREW	2		X X	M8 X 20
	14M7298	FLANGE NUT	2		X X	M8
15	H133579	STOP	1		X X	
16	19M7866	SCREW	4		X X	M8 X 20
	14M7396	LOCK NUT	4		X X	M8
17	22M7081	SET SCREW	2		X X	M10 X 10
18	AH133191	ECCENTRIC LOCKING COLLAR	2		X X	
19	H161529	PRESSED FLANGED HOUSING	4		X X	
20	JD39104	BALL BEARING	2		X X	
21	03M7191	BOLT	6		X X	M10 X 25
	14M7296	FLANGE NUT	6		X X	M10
22	AH157074	PLATE	1		X X	
23	19M7784	SCREW	12		X X	M10 X 20
	14M7296	FLANGE NUT	12		X X	M10
24	TY22326	BULK HOSE	AR		X X	CUT TO LENGTH (70 MM)
25	24M7242	WASHER	3		X X	21.400 X 42 X 5 MM

4G21

GRAIN TANK AND UNLOADING AUGER

GRAIN TANK CROSS AUGERS
HP3048 -UN-01JAN94



HP3048

4G22

GRAIN TANK AND UNLOADING AUGER

GRAIN TANK CROSS AUGERS - CONTINUED

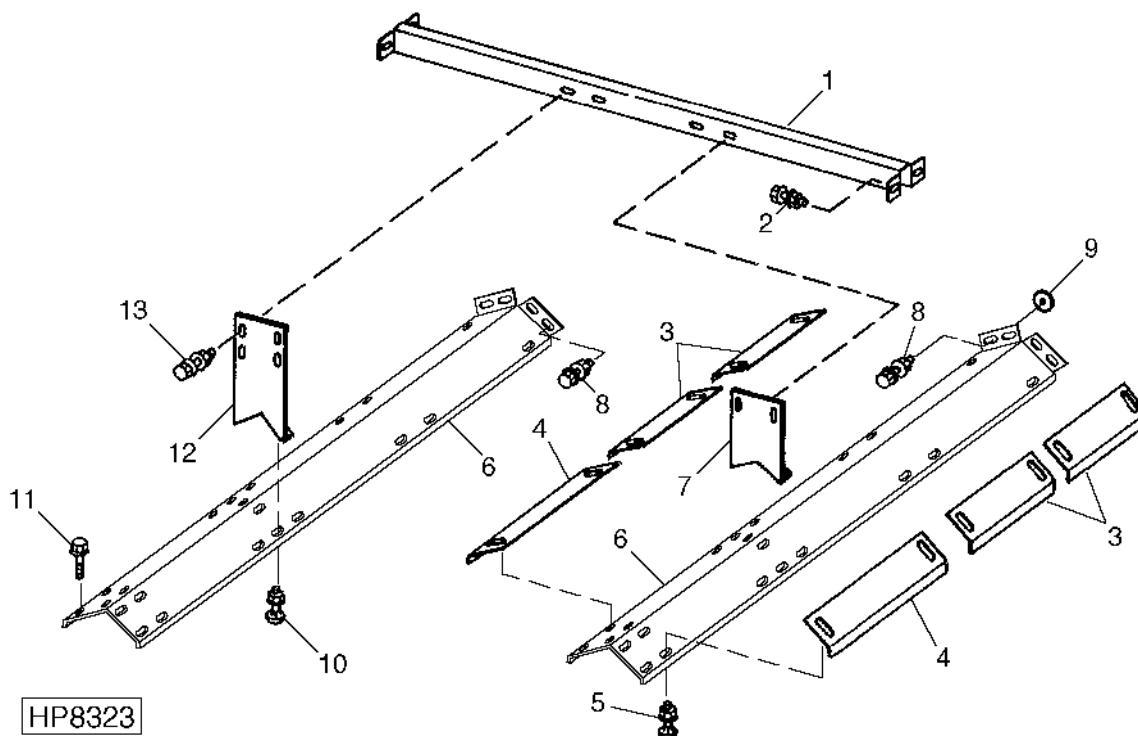
KEY	PART NO.	PART NAME	QTY	SERIAL NO.	0 H	REMARKS
					9	
					5	
					9	
					5	
					0	
					5	
					S	
					0	
					H	
1	H138435	SET SCREW	4		X X	M10 X 25
	14M7152	NUT	4		X X	M10
2	22M7081	SET SCREW	4		X X	M10 X 10
3	AH133191	ECCENTRIC LOCKING COLLAR	4		X X	
4	49M4120	SHAFT KEY	2		X X	10 X 8 X 40 MM
5	AH167847	AUGER	1		X X	(SUB FOR AH154965) FRONT
6	AH167848	AUGER	1		X X	(SUB FOR AH154966) REAR
7	H102909	COVER	2		X X	
8	H103265	PRESSED FLANGED HOUSING	4		X X	
9	JD39104	BALL BEARING	2		X X	
10	H126280	REINFORCEMENT	2		X X	BEARING PLATE - R.H.
11	19M7784	SCREW	8		X X	M10 X 20
	14M7296	FLANGE NUT	8		X X	M10
12	03M7190	BOLT	3		X X	M10 X 20
	14M7296	FLANGE NUT	3		X X	M10
13	19M7866	SCREW	4		X X	M8 X 20
	14M7396	LOCK NUT	4		X X	M8
14	19M7866	SCREW	4		X X	M8 X 20
	14M7298	FLANGE NUT	4		X X	M8
15	AH125070	CHAIN SPROCKET	1		X X	49-TOOTH (REAR), REGULAR
	AH140001	CHAIN SPROCKET	1		X X	60-TOOTH (REAR), SLOW DOWN
16	AH125070	CHAIN SPROCKET	1		X X	49-TOOTH (FRONT), REGULAR
	AH146352	DRIVE SPROCKET	1		X X	40-TOOTH (REAR), SLOW DOWN
17	24H1511	WASHER	AR		X X	1-13/32" X 1-3/4" X 0.060"
18	40M7046	SNAP RING	1		X X	
19	AH157083	CHAIN LINK	1		X X	ROLLER, TYPE 60H - 19 MM (3/4") PITCH, 198 LINKS (REGULAR SPEED)
	AH157084	CHAIN LINK	1		X X	ROLLER, TYPE 60H - 19 MM (3/4") PITCH, 206 LINKS (SLOW DOWN SPEED)

4G23

GRAIN TANK AND UNLOADING AUGER

CROSS AUGER COVERS AND CHANNEL

HP8323 -UN-09JUL99



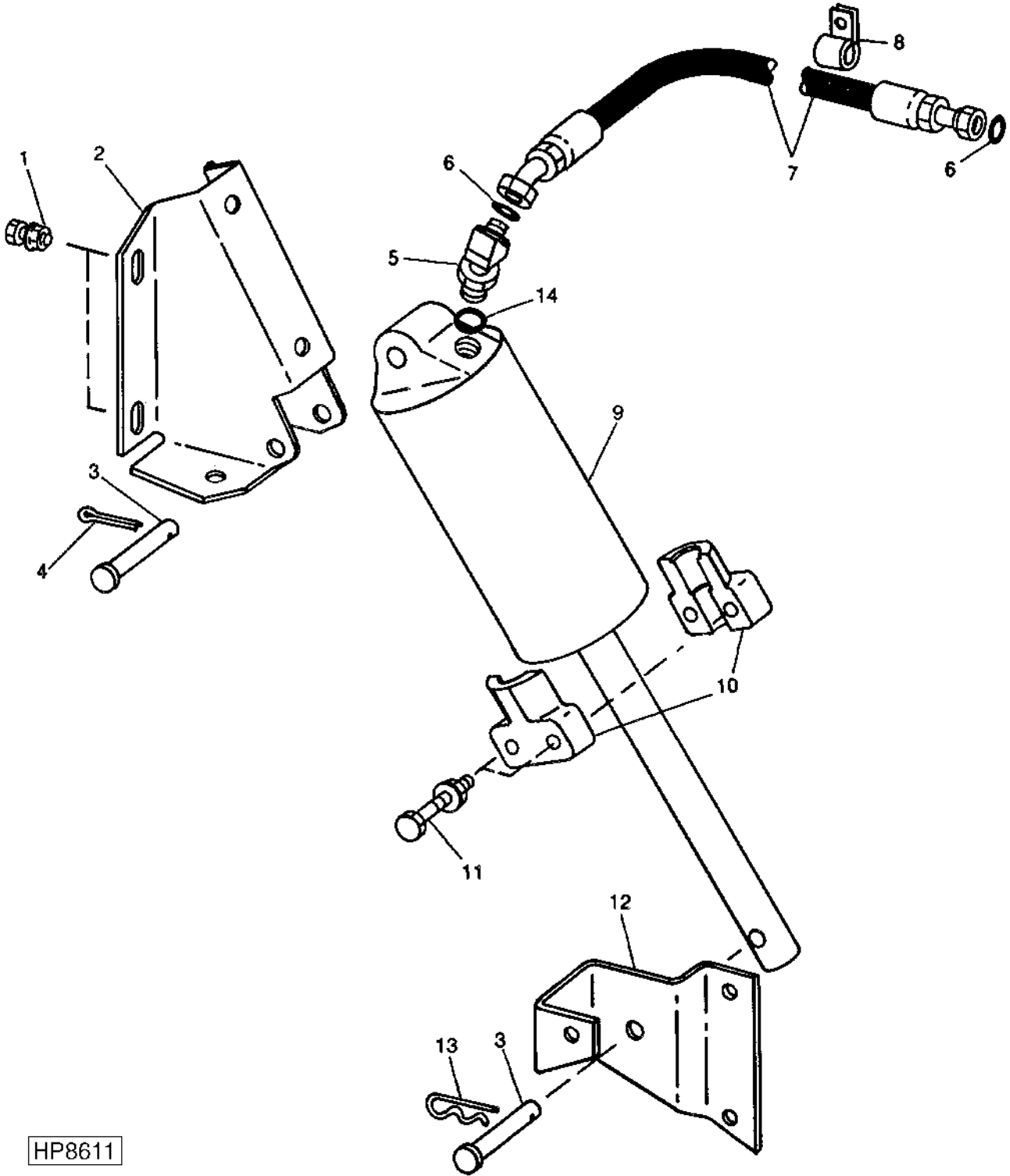
KEY	PART NO.	PART NAME	QTY	SERIAL NO.	REMARKS
1	H126801	CHANNEL	1	X X	
2	19M7784	SCREW	4	X X	M10 X 20
	14M7296	FLANGE NUT	4	X X	M10
3	H129472	COVER	7	X X	SMALL ADJUSTABLE
4	H129471	COVER	4	X X	LARGE ADJUSTABLE
5	03M7183	BOLT	20	X X	M8 X 16
	14M7298	FLANGE NUT	20	X X	M8
6	H152874	COVER	2	X X	AUGER
7	H126802	SUPPORT	1	X X	REAR COVER
8	19M7784	SCREW	4	X X	M10 X 20
	14M7296	FLANGE NUT	4	X X	M10
9	H141123	NUT	8	X X	
10	03M7183	BOLT	8	X X	M8 X 16
	14M7298	FLANGE NUT	8	X X	M8
11	37M7058	SCREW	8	X X	M8 X 20
12	H126804	SUPPORT	1	X X	FRONT COVER
13	19M7865	SCREW	4	X X	M8 X 16
	14M7298	FLANGE NUT	4	X X	M8

MEMORANDA

4G24

GRAIN TANK AND UNLOADING AUGER

GRAIN TANK UNLOADING DRIVE CYLINDER WITH MOUNTING AND HOSE
HP8611 -UN-02JUN99



HP8611

4G25

GRAIN TANK AND UNLOADING AUGER

GRAIN TANK UNLOADING DRIVE CYLINDER WITH MOUNTING AND HOSE - CONTINUED

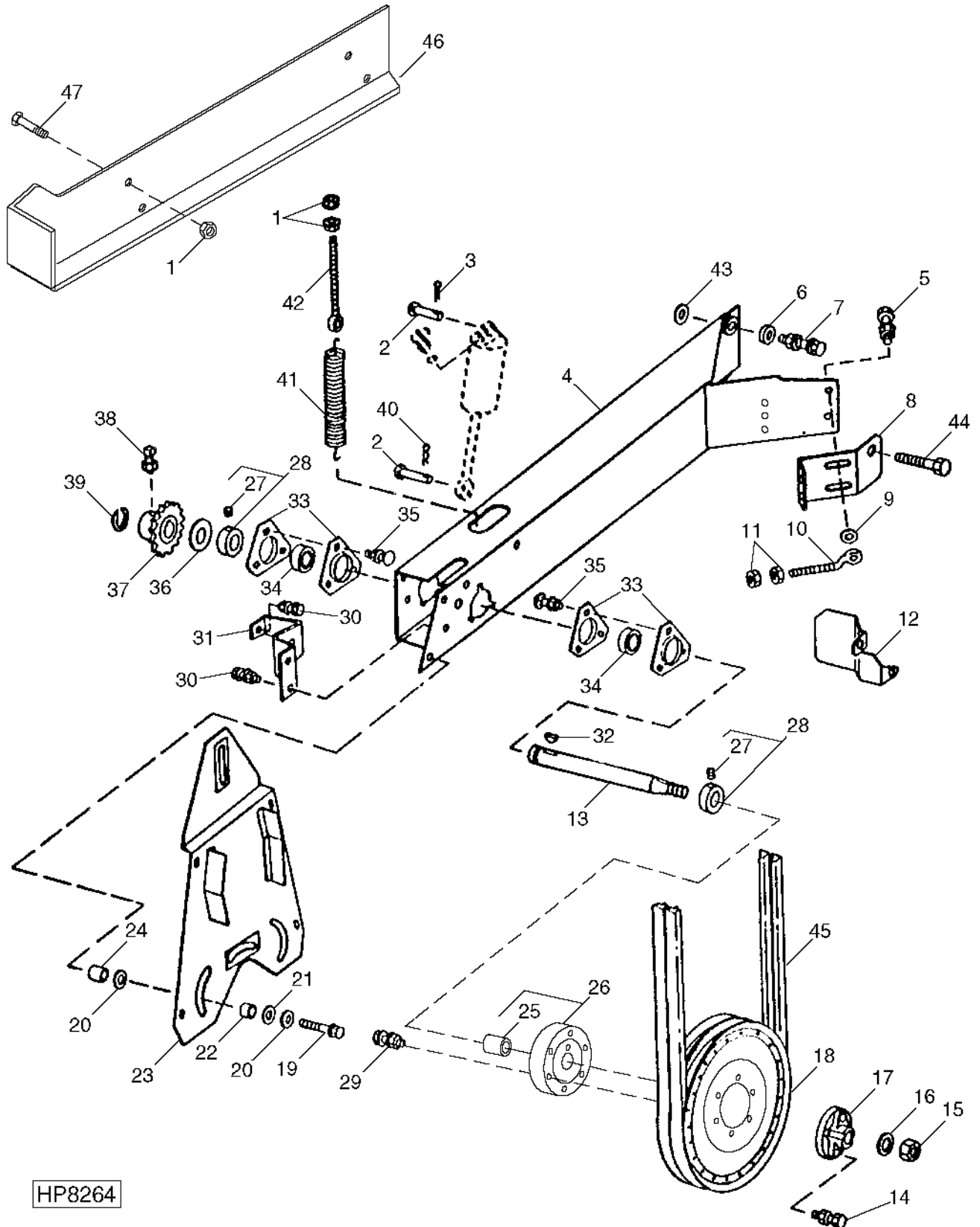
KEY	PART NO.	PART NAME	QTY	SERIAL NO.	9 5 9 5 5 0 5 S 0 H	REMARKS
1	19M7866	SCREW	4		X X	M8 X 20
	14M7298	FLANGE NUT	4		X X	M8
2	H129588	BRACKET	1		X X	
3	H148340	PIN	2		X X	
4	11M7059	COTTER PIN	1		X X	3.200 X 20 MM
5	38H1045	ELBOW FITTING	1		X X	
6	T77613	O-RING	2		X X	9.246 X 1.778 MM
7	AH120160	HYDRAULIC HOSE	1		X X	11/16" X 1 050 MM X 11/16"
8	AH96317	CLIP	1		X X	
9	AH116006	HYDRAULIC CYLINDER	1		X	
	AH141269	HYDRAULIC CYLINDER	1		X	
10	H133688	STOP	2		X X	
11	19M8319	SCREW	2		X X	M8 X 50
	14M7298	FLANGE NUT	2		X X	M8
12	H133690	BRACKET	1		X X	
13	J16931	SPRING LOCKING PIN	1		X X	
14	R26448	O-RING	1		X X	11.887 X 1.981 MM

4H1

GRAIN TANK AND UNLOADING AUGER

UNLOADING AUGER COUNTERSHAFT DRIVE

HP8264 -UN-23FEB99



HP8264

4H2

GRAIN TANK AND UNLOADING AUGER

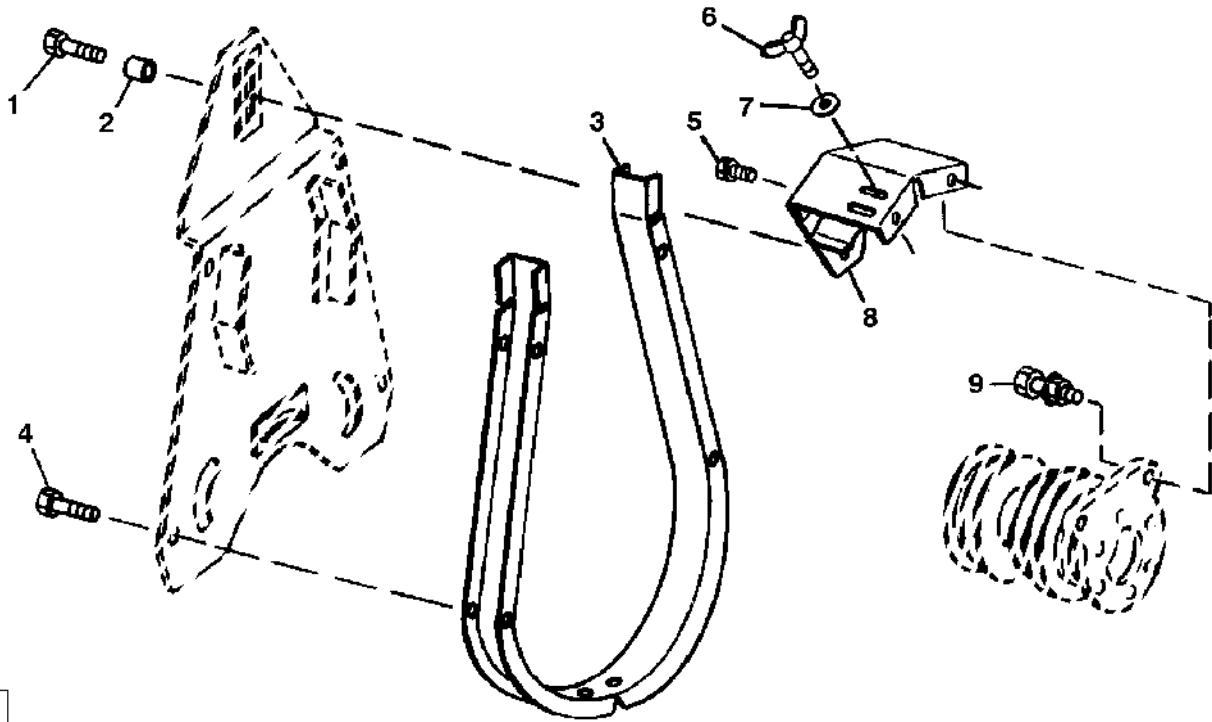
UNLOADING AUGER COUNTERSHAFT DRIVE - CONTINUED

KEY	PART NO.	PART NAME	QTY	SERIAL NO.	0 H	REMARKS
					9	
					5	
					9 5	
					5 0	
					5 S	
					0 H	
1	14M7296	FLANGE NUT	2		X X	M10
2	H148340	PIN	2		X X	1/2" X 2.382"
3	11M7059	COTTER PIN	1		X X	3.200 X 20 MM
4	AH164841	ARM	1		X X	
5	19M7835	SCREW	2		X X	M10 X 35
	14M7296	FLANGE NUT	2		X X	M10
6	Z33404	SPACER	2		X X	
7	19M7794	SCREW	1		X X	M16 X 50
	A31869	LOCK NUT	2		X X	M16
8	AH118993	BRACKET	1		X X	
9	24M7178	WASHER	2		X X	10.500 X 30 X 2.500 MM
10	H116262	EYEBOLT	2		X X	
11	14M7274	NUT	4		X X	M10
12	H137869	SHIELD	1		X X	
13	H164212	JACKSHAFT	1		X X	
14	19M7185	CAP SCREW	1		X X	M8 X 60
	E64256	LOCK NUT	1		X X	M8
15	A31871	LOCK NUT	1		X X	M24
16	24M7091	WASHER	1		X X	26 X 44 X 4 MM
17	H133026	HUB	1		X X	
18	H161415	SHEAVE	1		X X	
19	19M8318	SCREW	3		X X	M8 X 45
20	24M7207	WASHER	6		X X	8.400 X 24 X 2 MM
21	24H1357	WASHER	2		X X	19/32" X 1-5/32" X 0.090"
22	28H1511	WASHER	3		X X	0.364" X 0.540" X 1/4"
23	AH140901	GUARD	2		X X	
24	28H2531	BUSHING	3		X X	0.546" X 0.840" X 7/8"
25	H164213	BUSHING	1		X X	
26	AH155812	HUB	1		X X	
27	22M7081	SET SCREW	2		X X	M10 X 10
28	AH133191	ECCENTRIC LOCKING COLLAR	2		X X	
29	19M8317	SCREW	6		X X	M8 X 40
	14M7298	FLANGE NUT	6		X X	M8
30	19M7866	SCREW	3		X X	M8 X 20
	14M7298	FLANGE NUT	3		X X	M8
31	H133690	BRACKET	1		X X	
32	26M6787	SHAFT KEY	2		X X	10 X 32 MM
33	H161529	PRESSED FLANGED HOUSING	4		X X	(SUB FOR H103265, THIS APPLICATION)
34	JD39104	BALL BEARING	2		X X	
35	03M7190	BOLT	6		X X	M10 X 20
	14M7296	FLANGE NUT	6		X X	M10
36	24H1510	WASHER	2		X X	1-13/32" X 1-3/4" X 0.120"
37	AH128075	CHAIN SPROCKET	1		X X	19 TOOTH
	AH128074	CHAIN SPROCKET	1		X X	(RICE ONLY) 17 TOOTH
38	H138435	SET SCREW	2		X X	M10 X 25
	14M7274	NUT	2		X X	M10
39	40M7046	SNAP RING	1		X X	
40	J16931	SPRING LOCKING PIN	1		X X	
41	H173011	LEAF SPRING	1		X X	
42	H114738	EYEBOLT	1		X X	
43	24H1684	WASHER	2		X X	11/16" X 2" X 0.105"
44	19M7824	SCREW	1		X X	M16 X 60
45	AH158880	BELT SET	1		X X	
46	H170670	SHIELD	1		X X	
47	19M7786	SCREW	2		X X	

4H3

GRAIN TANK AND UNLOADING AUGER

UNLOADING AUGER DRIVE BELT GUIDE
HP8335 -UN-07APR99



HP8335

9
5
9 5
5 0
5 S
0 H

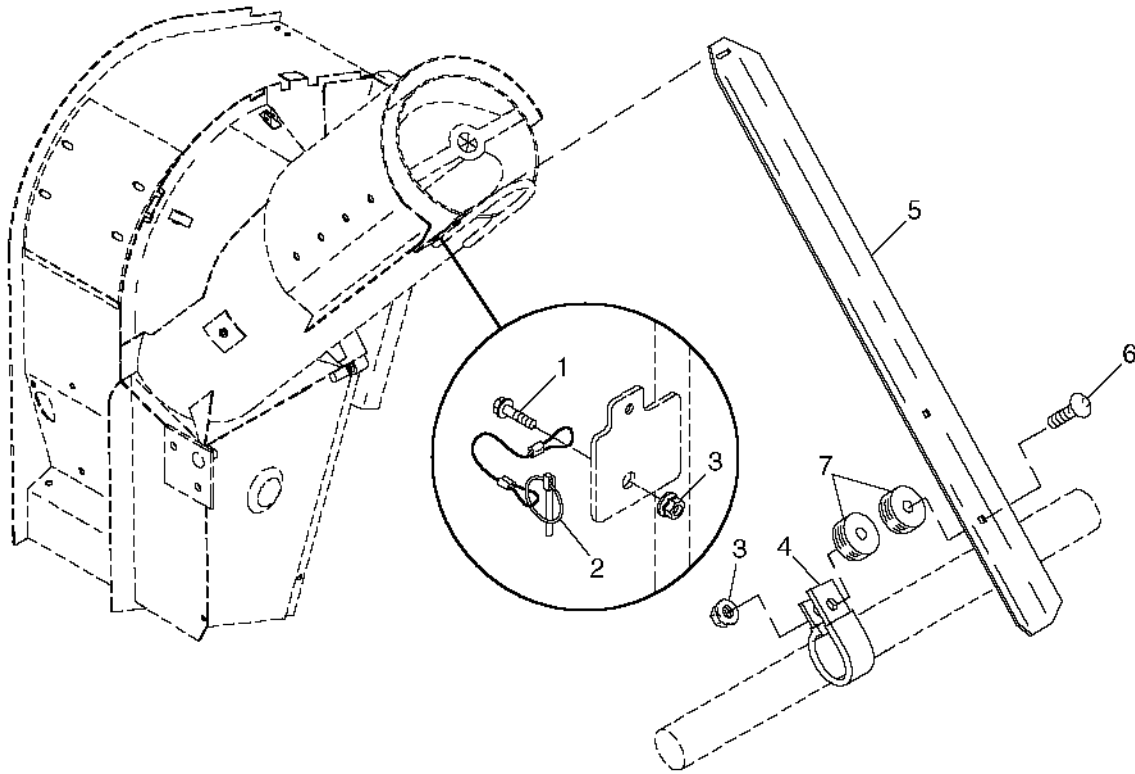
KEY	PART NO.	PART NAME	QTY	SERIAL NO.	REMARKS
1	19M7866	SCREW	1	X X	M8 X 20
2	H159104	WASHER	1	X X	0.364" X 0.540" X 0.375"
3	AH116390	GUIDE	1	X X	
4	19M7865	SCREW	6	X X	M8 X 16, (INTO WELDNUTS)
5	37M7058	SCREW	2	X X	M8 X 20
6	21M7269	WING SCREW	2	X X	M8 X 20
7	24M7207	WASHER	2	X X	8.400 X 24 X 2 MM
8	AH152654	SUPPORT	1	X X	
9	19M7785	SCREW	2	X X	M10 X 25
	14M7296	FLANGE NUT	2	X X	M10

4H4

GRAIN TANK AND UNLOADING AUGER

GRAIN TANK SAMPLING TROUGH

HP8503 -UN-23APR99



HP8503

9
5
9 5
5 0
5 S
0 H

KEY	PART NO.	PART NAME	QTY	SERIAL NO.	REMARKS
1	03M7184	BOLT	4	X X	M8 X 20
2	AH135290	QUICK LOCK PIN	2	X X	
3	14M7396	LOCK NUT	4	X X	M8
4	AH77714	CLIP	1	X X	
5	H152923	TROUGH	1	X X	
6	03M7188	BOLT	1	X X	M8 X 40
7	H28031	WASHER	2	X X	

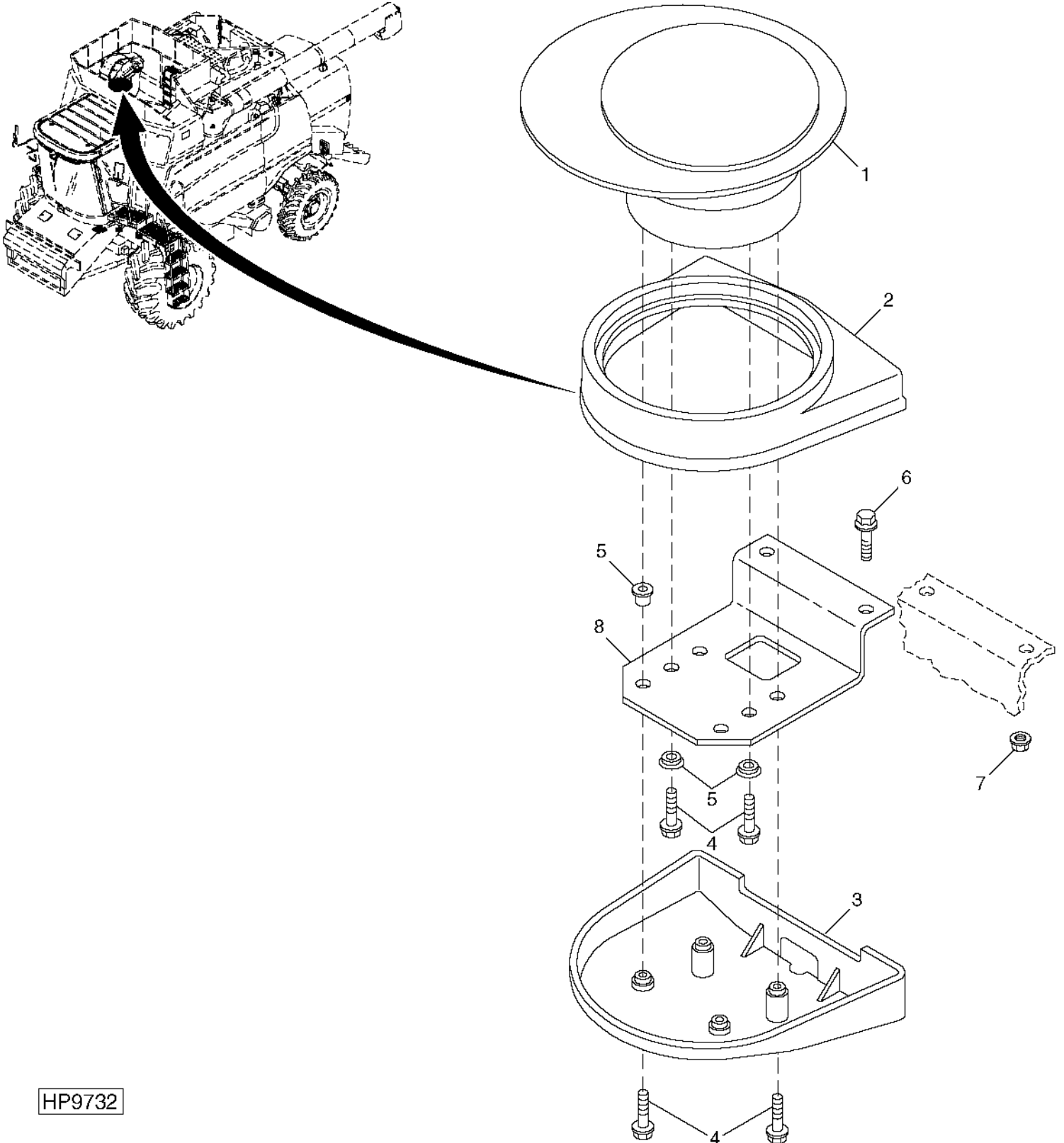
MEMORANDA

MEMORANDA

4H6

GREENSTAR YIELD MAPPING AND MONITOR SYSTEMS

POSITION RECEIVER
HP9732 -UN-28APR00



HP9732

4H7

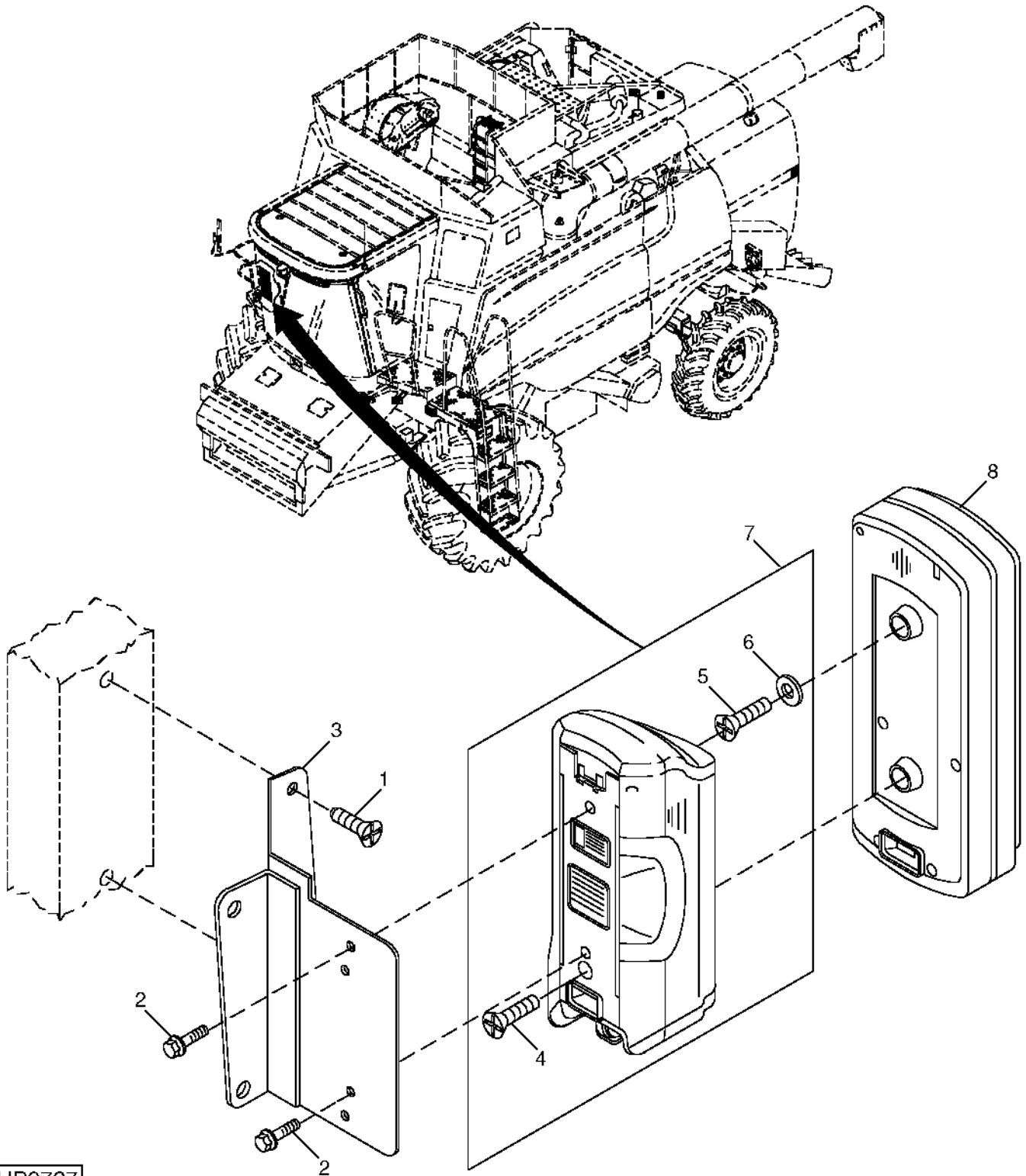
POSITION RECEIVER - CONTINUED

KEY	PART NO.	PART NAME	QTY	SERIAL NO.	9 5 9 5 5 0 5 S 0 H	REMARKS
1	PF80314	POSITION RECEIVER	1		X X	
2	PF10134	COVER	1		X X	
3	PF10135	COVER	1		X X	
4	21M7267	SCREW	6		X X	(A) M6 X 20
5	PF10240	WASHER	6		X X	(A)
6	19M7865	SCREW	2		X X	(A) M8 X 16
7	14M7298	FLANGE NUT	2		X X	(A) M8
8	PF10123	BRACKET	1		X X	
..	PF80016	PACKAGE OF PARTS	1		X X	INCLUDES PARTS MARKED (A)

4H8

GREENSTAR YIELD MAPPING AND MONITOR SYSTEMS

GREENSTAR™ DISPLAY AND MOBILE PROCESSOR
HP9737 -UN-28APR00



HP9737

4H9

GREENSTAR YIELD MAPPING AND MONITOR SYSTEMS

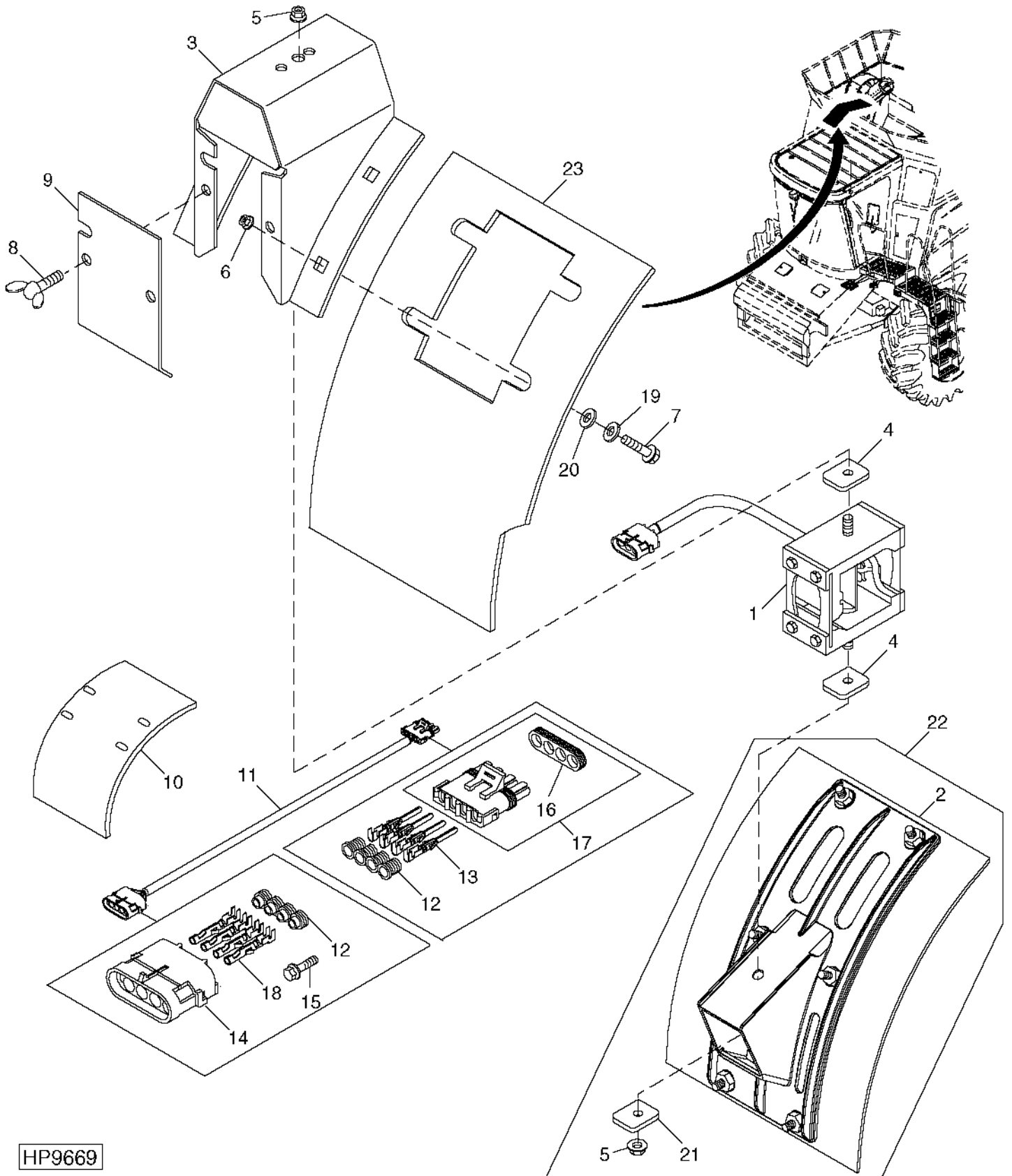
GREENSTAR™ DISPLAY AND MOBILE PROCESSOR - CONTINUED

KEY	PART NO.	PART NAME	QTY	SERIAL NO.	0 H	REMARKS
					9	
					5	
					9 5	
					5 0	
					5 S	
					0 H	
1	H168424	SCREW	2		X X	
2	19M7774	SCREW	2		X X	M6 X 12
3	PF80209	BRACKET	1		X X	
4	21M7327	SCREW	1		X X	M6 X 35
5	21M7305	SCREW	1		X X	M6 X 12
6	24M7100	WASHER	1		X X	6.600 X 22 X 2 MM
7	PF80316	MOBILE PROCESSOR MODULE	1		X X	(SUB FOR PF80156)
8	PF80370	GREENSTAR DISPLAY MODULE	1		X X	(SUB FOR PF80150)
..	PF90091	GREENSTAR DISPLAY MODULE	1		X X	KIT FOR THE CONVERSION OF 2.5V AND 4.5V GREENSTAR™ DISPLAYS TO DUAL CAN
..	BH81758	COMPLETE GOODS/SHIP. BUNDLE	1		X X	MAPPING CONVERSION KIT
..	BH81760	COMPLETE GOODS/SHIP. BUNDLE	1		X X	MONITOR CONVERSION KIT

4H10

GREENSTAR YIELD MAPPING AND MONITOR SYSTEMS

MASS FLOW SENSOR
HP9669 -UN-31MAR00



HP9669

4H11

GREENSTAR YIELD MAPPING AND MONITOR SYSTEMS

MASS FLOW SENSOR - CONTINUED

KEY	PART NO.	PART NAME	QTY	SERIAL NO.	0 H	REMARKS
					9	
					5	
					9 5	
					5 0	
					5 S	
					0 H	
1	AH163359	SENSOR	1		X X	(SUB FOR PF80000)
2	AH165256	BRACKET	1	-XXXXXX	X X	
	AH164349	BRACKET	1	XXXXXX-	X X	
3	PF80047	BRACKET	1		X X	
4	PF10350	SPACER	2		X X	
5	H135891	LOCK NUT	AR		X X	
6	14M7303	FLANGE NUT	4		X X	M6
7	03M7190	BOLT	4		X X	M10 X 20
8	21M1690	WING SCREW	2		X X	M6 X 16
9	PF10173	COVER	1		X X	
10	H171004	COVER	1		X X	WHEN MASS-FLOW SENSOR IS NOT USED
11	AH165189	WIRING HARNESS	1		X X	
12	R78059	ELECTRICAL PLUG	1		X X	(PKG. OF 40) (18 OR 20 GA. WIRE) (GREEN)
13	R78057	SOCKET CONTACT	1		X X	(PKG. OF 40) (18 OR 20 GA. WIRE) (NO. 19)
14	R78055	PIN CONTACT CONNECTOR BODY	1		X X	(PKG. OF 2)
15	R78064	ELECTRICAL PLUG	1		X X	(PKG. OF 40)
16	R78049	SEAL	1		X X	(PKG. OF 5)
17	RE12364	SOCKET CONT.CONNECTOR BODY	1		X X	(PKG. OF 3)
18	R78058	PIN CONTACT	1		X X	(PKG. OR 40) (18 OR 20 GA. WIRE) (NO. 19)
19	Z36140	WASHER	4		X X	
20	24H1313	WASHER	4		X X	13/32" X 1-3/4" X 0.065"
21	PF10350	SPACER	1	-XXXXXX	X X	
	H172113	SPACER	1	XXXXXX-	X X	
22	AH164288	MASS FLOW SENSOR MODULE	1	XXXXXX-	X X	
23	H167717	SHEET	1		X X	
..	BH81742	COMPLETE GOODS/SHIP. BUNDLE	1		X X	YIELD MAP KIT
..	BH81758	COMPLETE GOODS/SHIP. BUNDLE	1		X X	MAPPING CONVERSION KIT
..	BH81760	COMPLETE GOODS/SHIP. BUNDLE	1		X X	MONITOR CONVERSION KIT

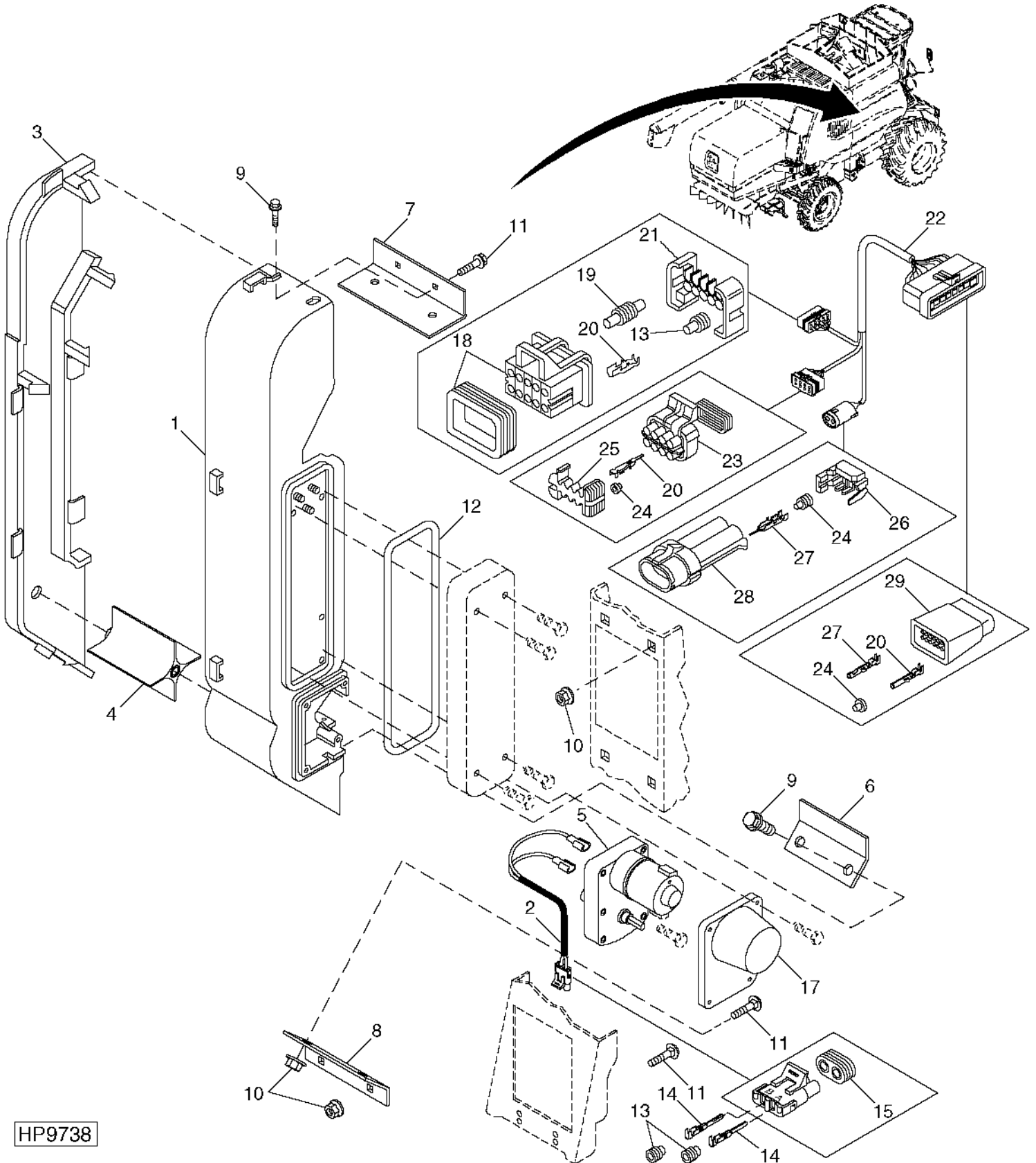
S.N. 9550(-685920)(685921-)

S.N. 9550SH(-685712)(685713-)

4H12

GREENSTAR YIELD MAPPING AND MONITOR SYSTEMS

MOISTURE SENSOR
HP9738 -UN-28APR00



4H13

GREENSTAR YIELD MAPPING AND MONITOR SYSTEMS

MOISTURE SENSOR - CONTINUED

KEY	PART NO.	PART NAME	QTY	SERIAL NO.	9 5 9 5 5 0 5 S 0 H	REMARKS
1	PF80152	MOISTURE SENSOR MODULE	1	-XXXXXX	X X	
	AH167407	SENSOR	1	XXXXXX-	X X	
2	PF80058	MOTOR WIRING HARNESS	1		X X	
3	PF10034	COVER	1		X X	
4	PF80045	PADDLE WHEEL ASSEMBLY	1		X X	
5	AH128865	ELECTRIC MOTOR	1		X X	
6	PF10218	BRACKET	1		X X	MIDDLE
7	PF80022	BRACKET	1		X X	TOP
8	PF10106	BRACKET	1		X X	BOTTOM
9	19M7774	SCREW	2		X X	M6 X 12
10	14M7303	FLANGE NUT	8		X X	M6
11	03M7221	BOLT	8		X X	M6 X 16
12	PF10349	O-RING	1		X X	
13	R78063	TERMINAL NIPPLE	1		X X	(PKG. OF 40) (16 GA. WIRE) (GRAY)
14	R78060	SOCKET CONTACT	1		X X	(PKG. OF 40) (14 OR 16 GA. WIRE) (NO. 15)
15	R78048	TERMINAL NIPPLE	1		X X	(PKG. OF 5)
16	RE12363	CONNECTOR	1		X X	(PKG. OF 3)
17	PF10035	COVER	1		X X	
18	57M7262	RECEPTACLE CONNECTOR BODY	1		X X	
19	57M7259	ELECTRICAL PLUG	1		X X	
20	R104846	SOCKET CONTACT	1		X X	(PKG. OF 10) (16 GA WIRE)
21	57M7281	CONNECTOR	1		X X	
22	AH163684	WIRING HARNESS	1		X X	
23	57M7261	RECEPTACLE CONNECTOR BODY	1		X X	
24	57M7258	ELECTRICAL PLUG	1		X X	
25	57M7296	CONNECTOR	1		X X	
26	57M7316	CONNECTOR	1		X X	
27	R104919	PIN CONTACT	1		X X	
28	57M7256	PIN CONTACT CONNECTOR BODY	1		X X	
29	CONNECTOR	1		X X	
..	BH81742	COMPLETE GOODS/SHIP. BUNDLE	1		X X	YIELD MAP KIT

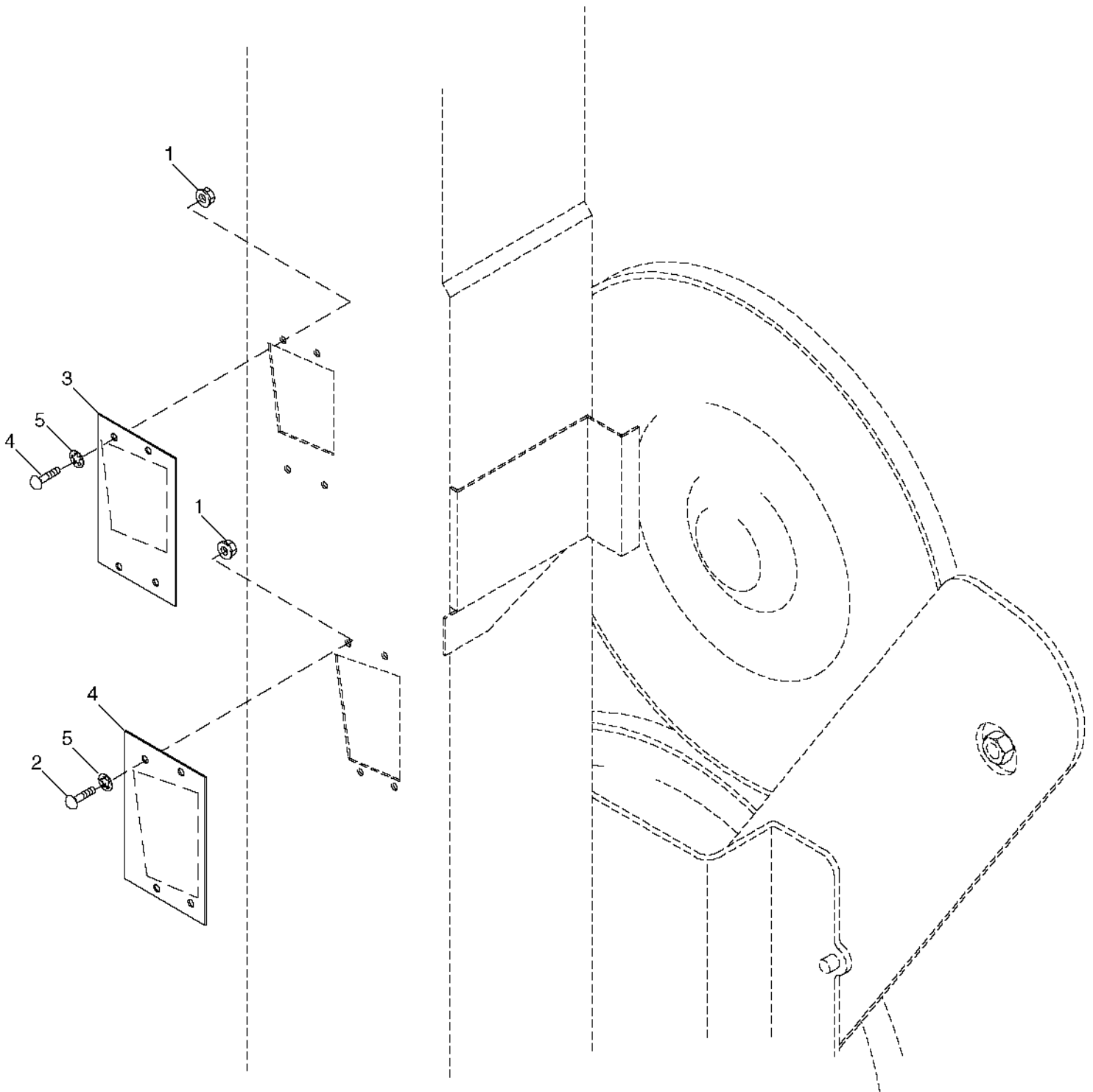
S.N. 9550(-685920)(685921-)

S.N. 9550SH(-685712)(685713-)

4H14

GREENSTAR YIELD MAPPING AND MONITOR SYSTEMS

MOISTURE SENSOR COVERS
WHEN MOISTURE SENSOR IS NOT USED
HP9465 -UN-14FEB00



HP9465

4H15

GREENSTAR YIELD MAPPING AND MONITOR SYSTEMS

**MOISTURE SENSOR COVERS
WHEN MOISTURE SENSOR IS NOT USED**

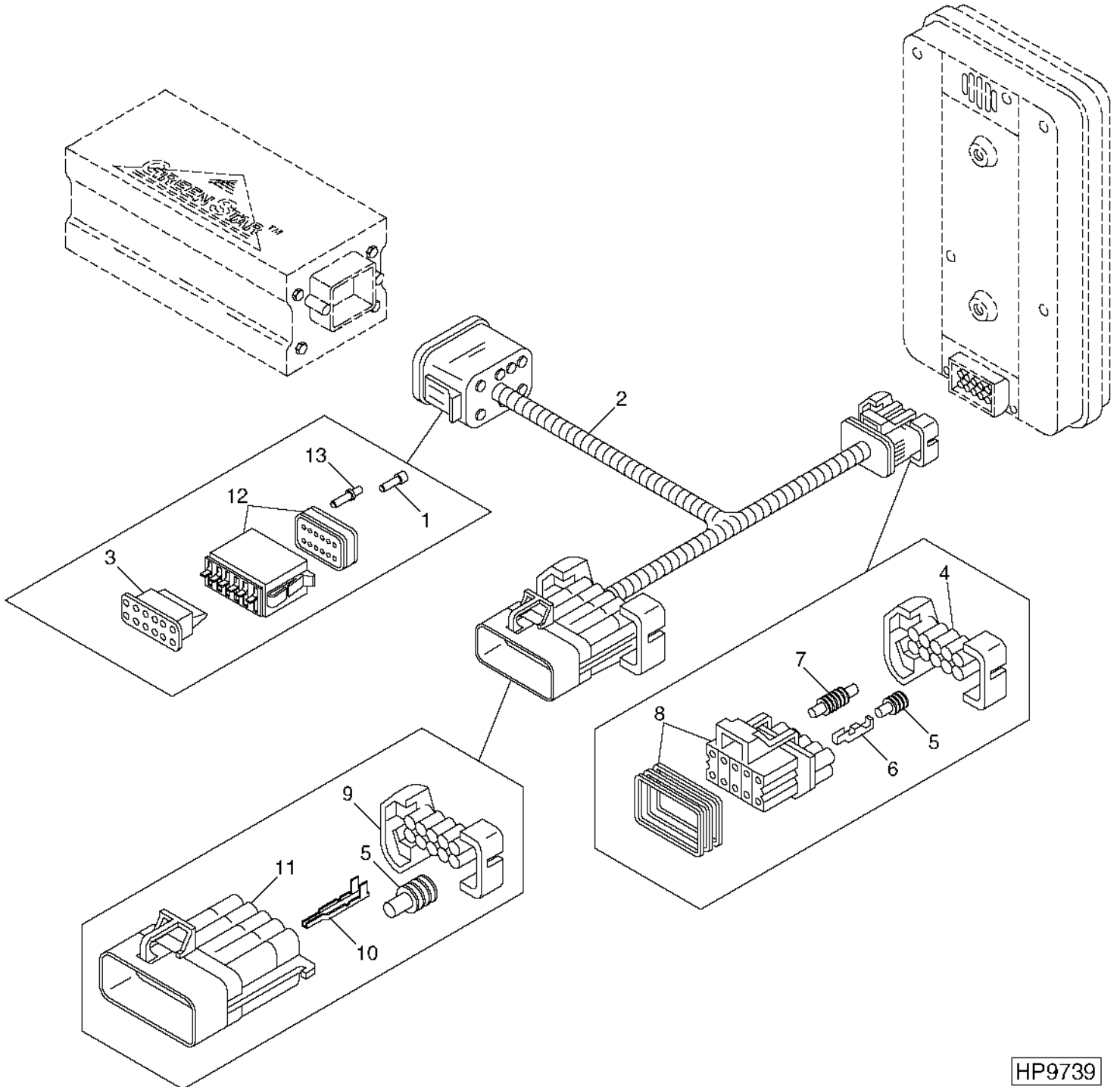
KEY	PART NO.	PART NAME	QTY	SERIAL NO.	0 H	REMARKS
1	14M7303	FLANGE NUT	8		X X	M6
2	03M7221	BOLT	8		X X	M6 X 16
3	PF80173	COVER	1		X X	UPPER
4	PF80174	COVER	1		X X	LOWER
5	M80082	NUT	8		X X	

9
5
9 5
5 0
5 S
0 H

4H16

GREENSTAR YIELD MAPPING AND MONITOR SYSTEMS

DATASTORE HARNESS
HP9739 -UN-28APR00



HP9739

4H17

GREENSTAR YIELD MAPPING AND MONITOR SYSTEMS

DATASTORE HARNESS - CONTINUED

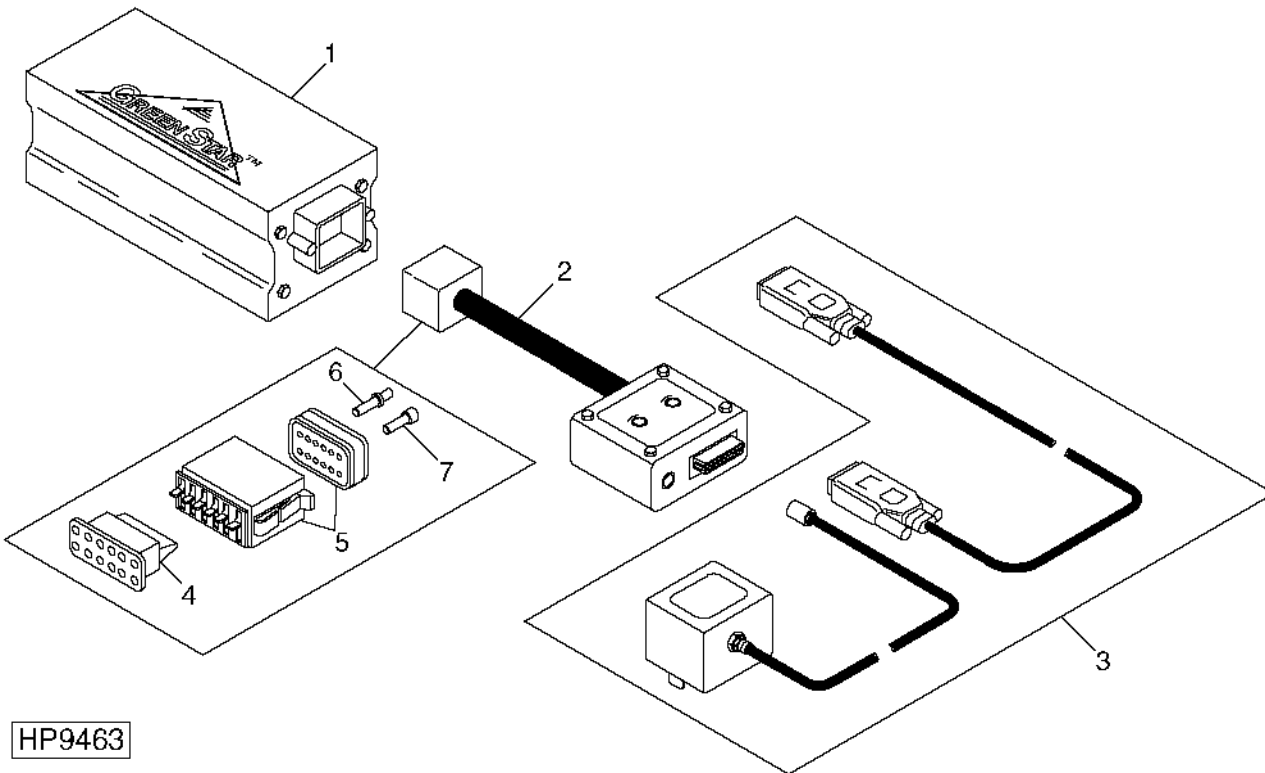
KEY	PART NO.	PART NAME	QTY	SERIAL NO.	9 5 9 5 5 0 5 S 0 H	REMARKS
1	R78069	ELECTRICAL PLUG	1		X X	
2	PF80136	WIRING HARNESS	1		X X	
3	57M7681	INSULATING SLEEVE	1		X X	
4	57M7281	CONNECTOR	1		X X	
5	R78063	TERMINAL NIPPLE	1		X X	
6	R104846	SOCKET CONTACT	1		X X	(PKG. OF 10) (16 GA. WIRE)
7	57M7259	ELECTRICAL PLUG	1		X X	
8	RE42195	CONNECTOR	1		X X	
9	57M7281	CONNECTOR	1		X X	
10	R104919	PIN CONTACT	1		X X	
11	RE42196	CONNECTOR	1		X X	
12	57M8039	ELECTRICAL PLUG	1		X X	
13	R78965	FITTING	1		X X	

4H18

GREENSTAR YIELD MAPPING AND MONITOR SYSTEMS

DATASTORE

HP9463 -UN-10JAN00



HP9463

9
5
9 5
5 0
5 S
0 H

KEY	PART NO.	PART NAME	QTY	SERIAL NO.	REMARKS
1	PF80335	MODULE	1	X X	(SUB FOR PF80139)
2	PF80334	MODULE	1	X X	(SUB FOR PF80137)
3	PF80338	POWER SUPPLY	1	X X	
4	57M7681	INSULATING SLEEVE	1	X X	
5	57M8039	ELECTRICAL PLUG	1	X X	
6	R78965	FITTING	1	X X	
7	R78069	ELECTRICAL PLUG	1	X X	

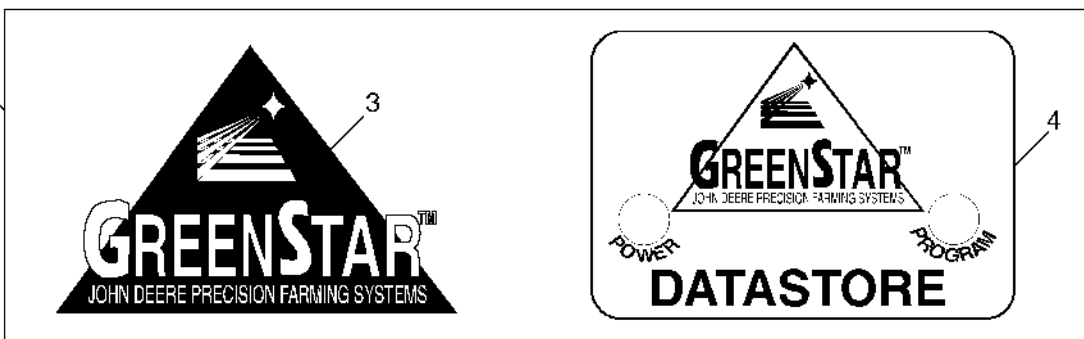
4H19

GREENSTAR YIELD MAPPING AND MONITOR SYSTEMS

DECALS

HP9461

-UN-11JAN00



HP9461

9
5
9 5
5 0
5 S
0 H

KEY	PART NO.	PART NAME	QTY	SERIAL NO.	REMARKS
1	PF10144	DECAL	1	X X	MOISTURE SENSOR
2	H163216	LABEL	2	X X	COMBINE GREENSTAR
3	DECAL	1	X X	(ORDER PF80339) DATASTORE UNIT
4	DECAL	1	X X	(ORDER PF80339) DATASTORE INTERFACE
5	PF80339	DECAL	1	X X	DATA STOR DECAL KIT

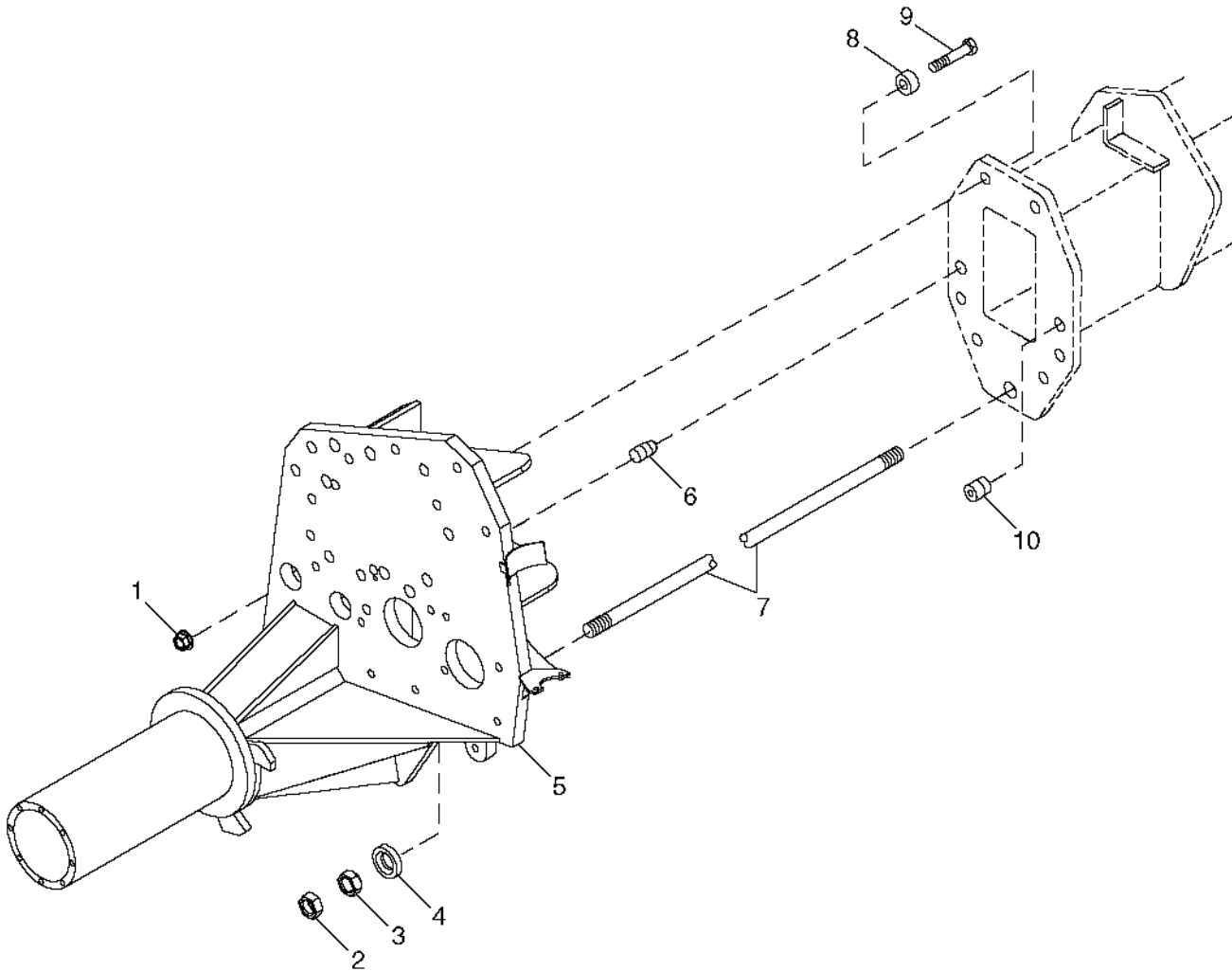
MEMORANDA

MEMORANDA

4H22

RUBBER TRACK SYSTEM

TRACK FRAME MOUNTING
HP8805 -UN-08JUL99



HP8805

4H23

RUBBER TRACK SYSTEM

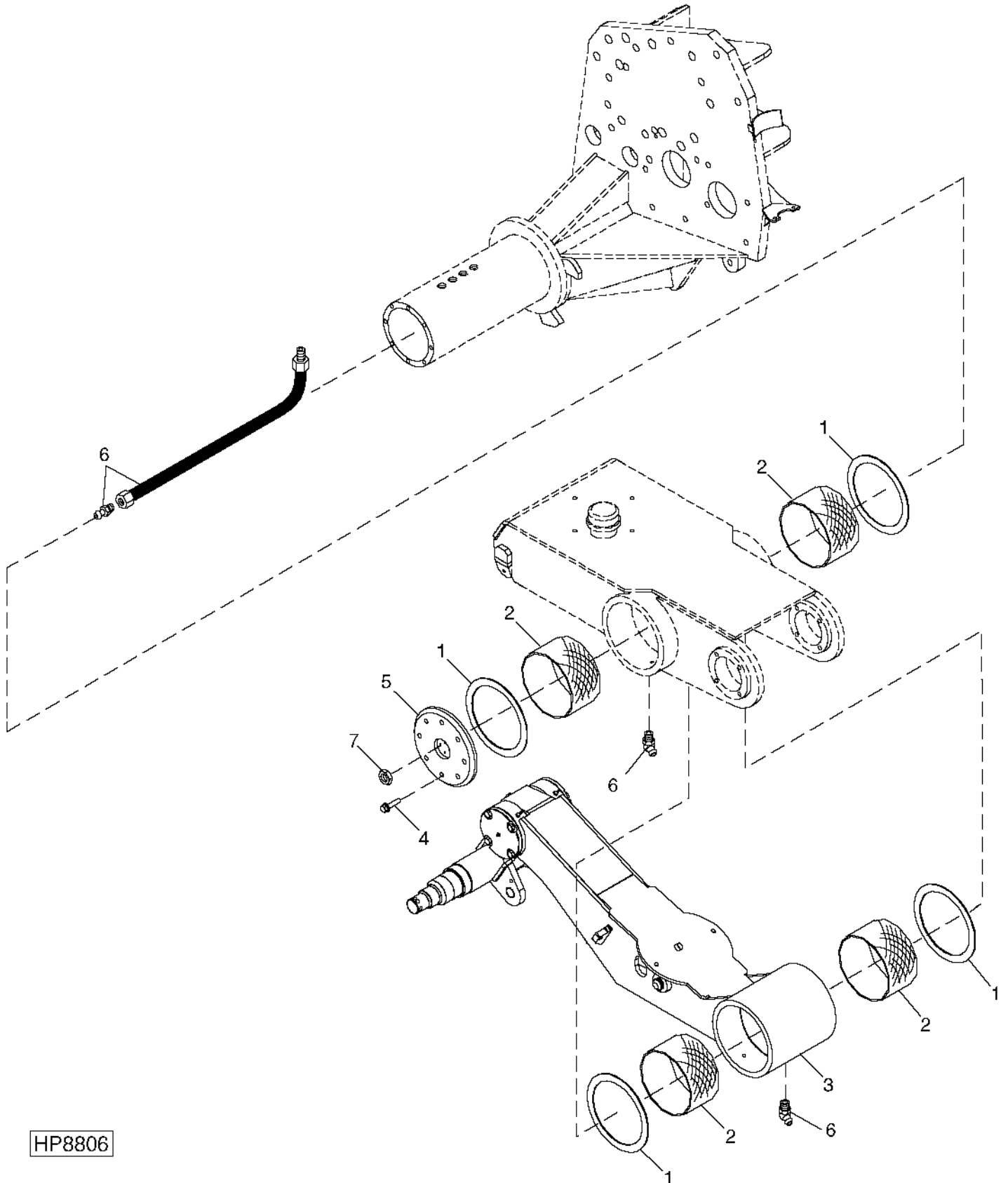
TRACK FRAME MOUNTING - CONTINUED

KEY	PART NO.	PART NAME	QTY	SERIAL NO.	9 5 9 5 5 0 5 S 0 H	REMARKS
1	14M7300	FLANGE NUT	12		X	M20
2	14M7431	NUT	2		X	M30
3	H130288	NUT	2		X	M30
4	H130287	SPACER	2		X	36 X 69.850 X 14 MM
5	AH164391	FRAME	1		X	R.H.
	AH165202	FRAME	1		X	L.H.
6	H87691	DOWEL PIN	4		X	
7	H133635	ROD	1		X	
8	H156127	SLEEVE	12		X	AXLE
9	19M7963	CAP SCREW	12		X	M20 X 100
10	H87691	BUSHING	2		X	
..	AH150593	COMPLETE GOODS/SHIP. BUNDLE	1		X	SHIPPING FRAME

4H24

RUBBER TRACK SYSTEM

MAIN FRAME PIVOT BUSHINGS
HP8806 -UN-09JUL99



HP8806

4H25

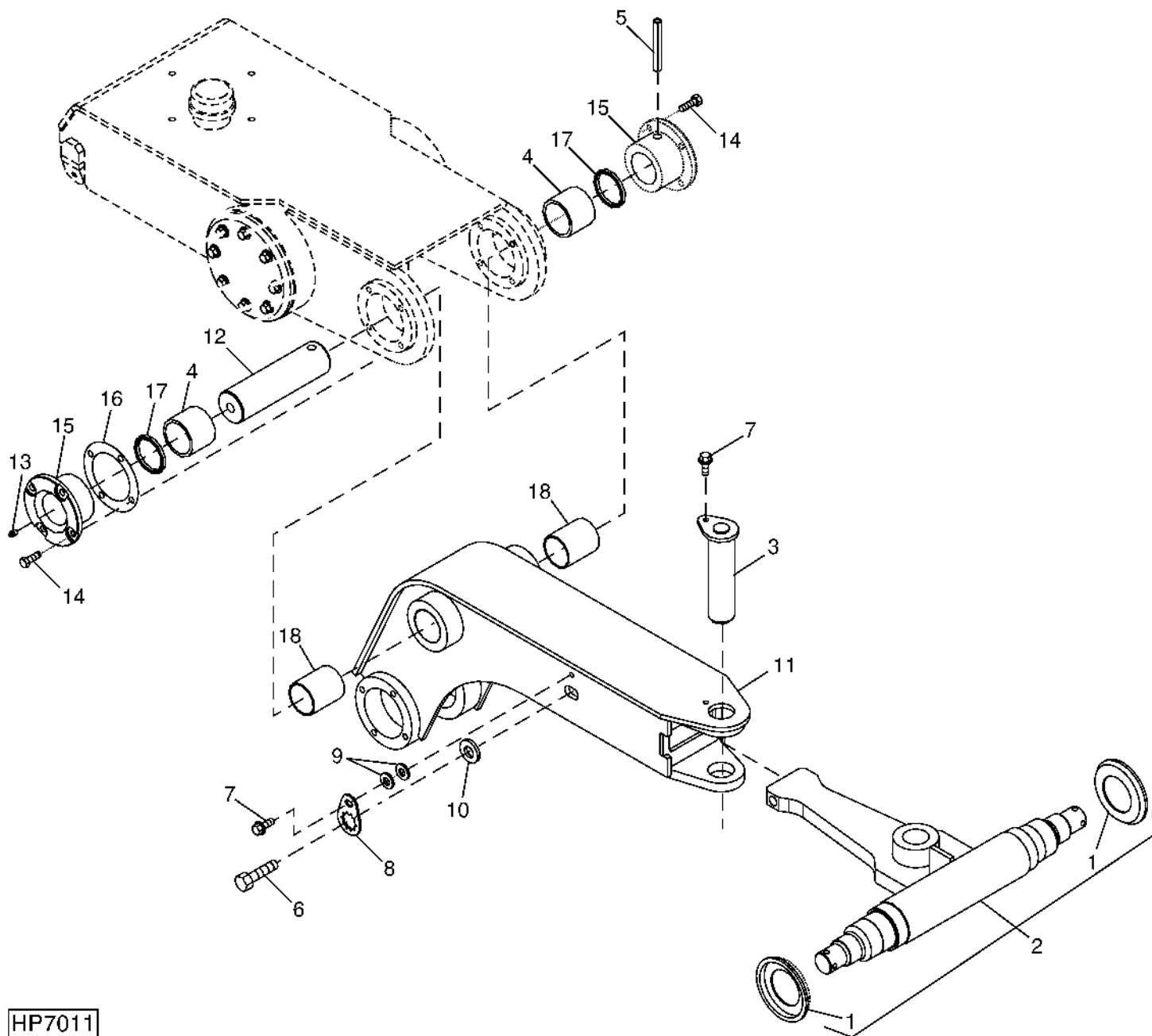
RUBBER TRACK SYSTEM

MAIN FRAME PIVOT BUSHINGS - CONTINUED

KEY	PART NO.	PART NAME	QTY	SERIAL NO.	9 5 9 5 5 0 5 S 0 H	REMARKS
1	H152745	WASHER	4		X	
2	H170357	BUSHING	4		X	
3	JD7763	LUBRICATION FITTING	4		X	
4	19M7814	SCREW	8		X	M12 X 50
5	AH163817	CAP	1		X	
6	AT184336	HYDRAULIC HOSE	4		X	
7	E12379	NUT	4		X	

FRONT ARM AND ADJUSTABLE IDLER ASSEMBLY

HP7011 -UN-15JUL97

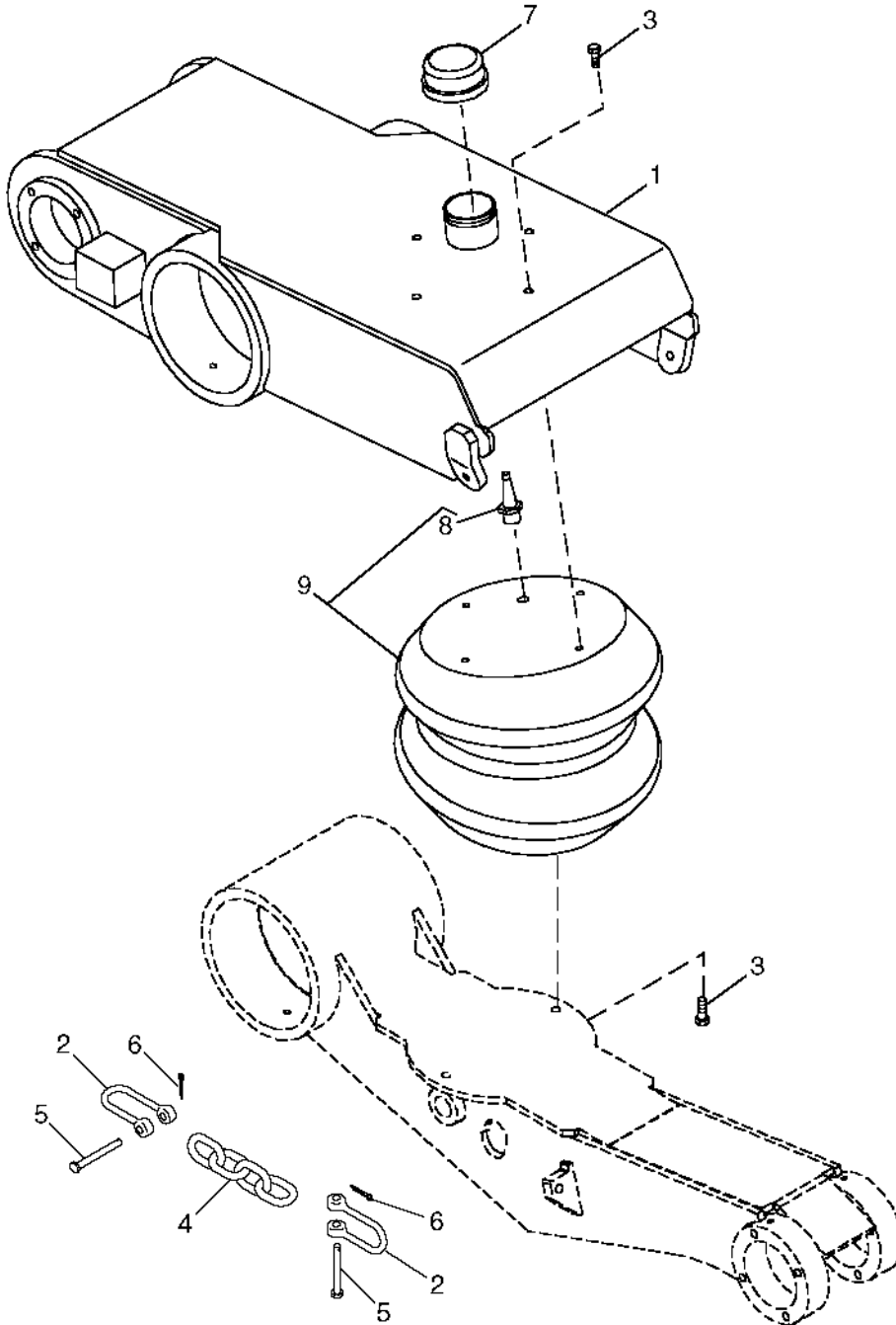


HP7011

FRONT ARM AND ADJUSTABLE IDLER ASSEMBLY - CONTINUED

KEY	PART NO.	PART NAME	QTY	SERIAL NO.	0 H	REMARKS
					9	
					5	
					9	
					5	
					0	
					5	
					S	
					0	
					H	
1	H152741	RETAINER	2		X	
2	AH146864	AXLE	1		X	
3	AH149752	KINGPIN	1		X	
4	T122720	BUSHING	2		X	(A)
5	34M7254	SPRING PIN	1		X	(A) 16 X 90 MM
6	19M8639	CAP SCREW	2		X	M20 X 70
7	19M7785	SCREW	3		X	M10 X 25
8	H157868	RETAINER	2		X	
9	24M7028	WASHER	4		X	10.500 X 20 X 2 MM
10	H170552	WASHER	2		X	
11	AH165222	SUPPORT	1		X	
12	H163999	PIN	1		X	(A)
13	JD7759	LUBRICATION FITTING	1		X	(A)
14	19M8011	CAP SCREW	8		X	(A) M12 X 30
15	H164001	BEARING CAP	2		X	(A)
16	H157615	SHIM	AR		X	(A) .508 MM
	H157616	SHIM	AR		X	(A) .254 MM
	H157617	SHIM	AR		X	(A) .127 MM
	H157696	WASHER	AR		X	(A) 1.0 MM
17	T68818	SEAL	2		X	(A)
18	H164002	SLEEVE	2		X	(A) REQUIRES TY15969 MAXIMUM STRENGTH RETAINING COMPOUND FOR INSTALLATION
..	TY15969	ADHESIVE	1		X	MAXIMUM STRENGTH RETAINING COMPOUND; REQUIRED FOR INSTALLATION OF SLEEVES H164002
..	AH157937	KIT	1		X	TRACK DRIVE BUSHING REPLACEMENT KIT; INCLUDES ALL PARTS MARKED (A)

AIR SUSPENSION
HP8807 -UN-08JUL99



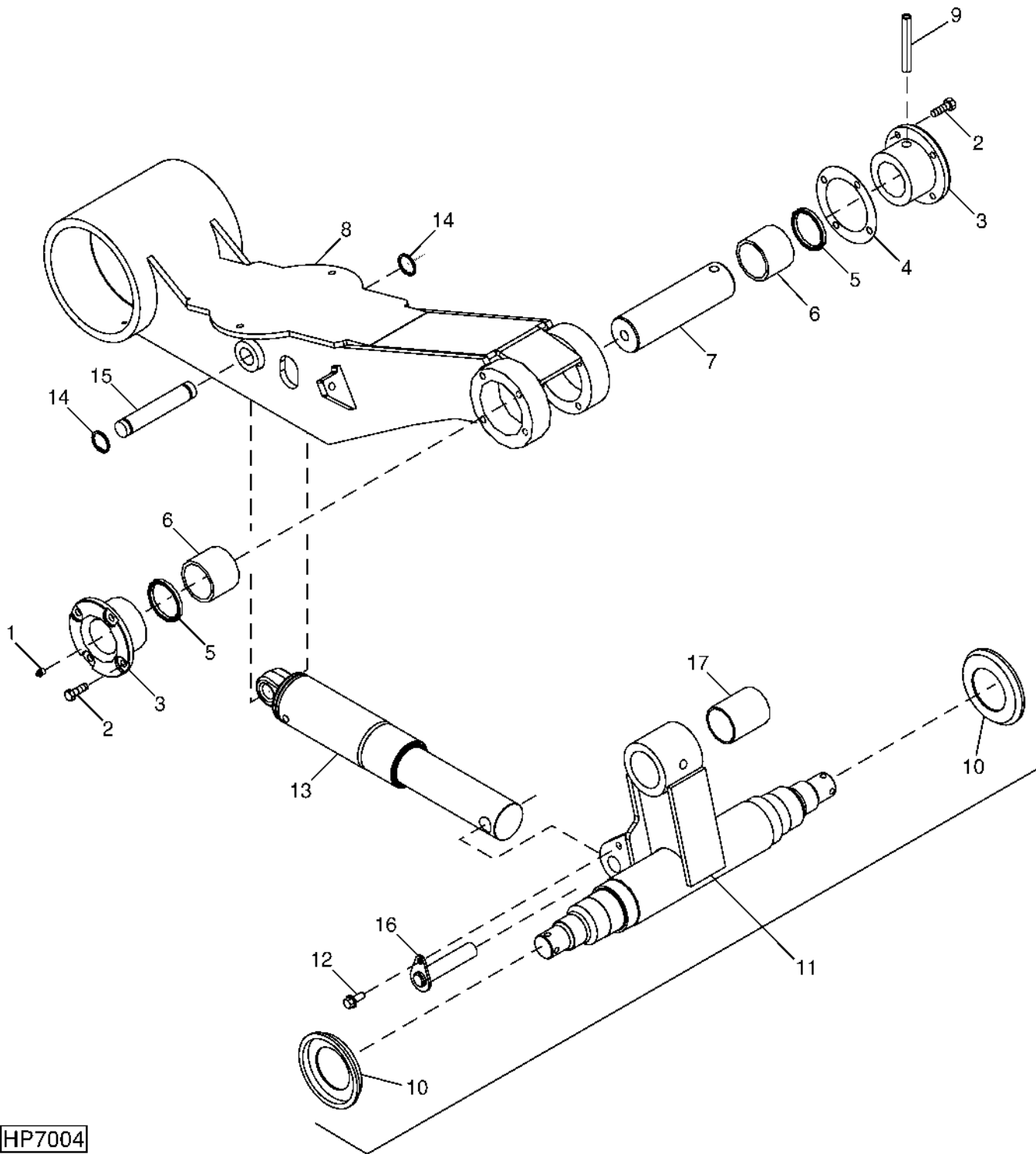
HP8807

AIR SUSPENSION - CONTINUED

KEY	PART NO.	PART NAME	QTY	SERIAL NO.	9 5 9 5 5 0 5 S 0 H	REMARKS
1	AH146871	HOUSING	1		X	R.H.
	AH147118	HOUSING	1		X	L.H.
2	H170718	CLEVIS	4		X	
3	19H2676	CAP SCREW	6		X	3/8" X 1"
4	AH146979	LINK CHAIN	2		X	
5	A15719	PIN	4		X	
6	11M7084	COTTER PIN	4		X	5 X 25 MM
7	15H658	FITTING	1		X	
8	AH150490	TIRE VALVE STEM	1		X	
9	AH168710	ABSORBER	1		X	(SUB FOR AH145385)

REAR ARM, TENSION CYLINDER AND IDLER AXLE

HP7004 -UN-15JUL97

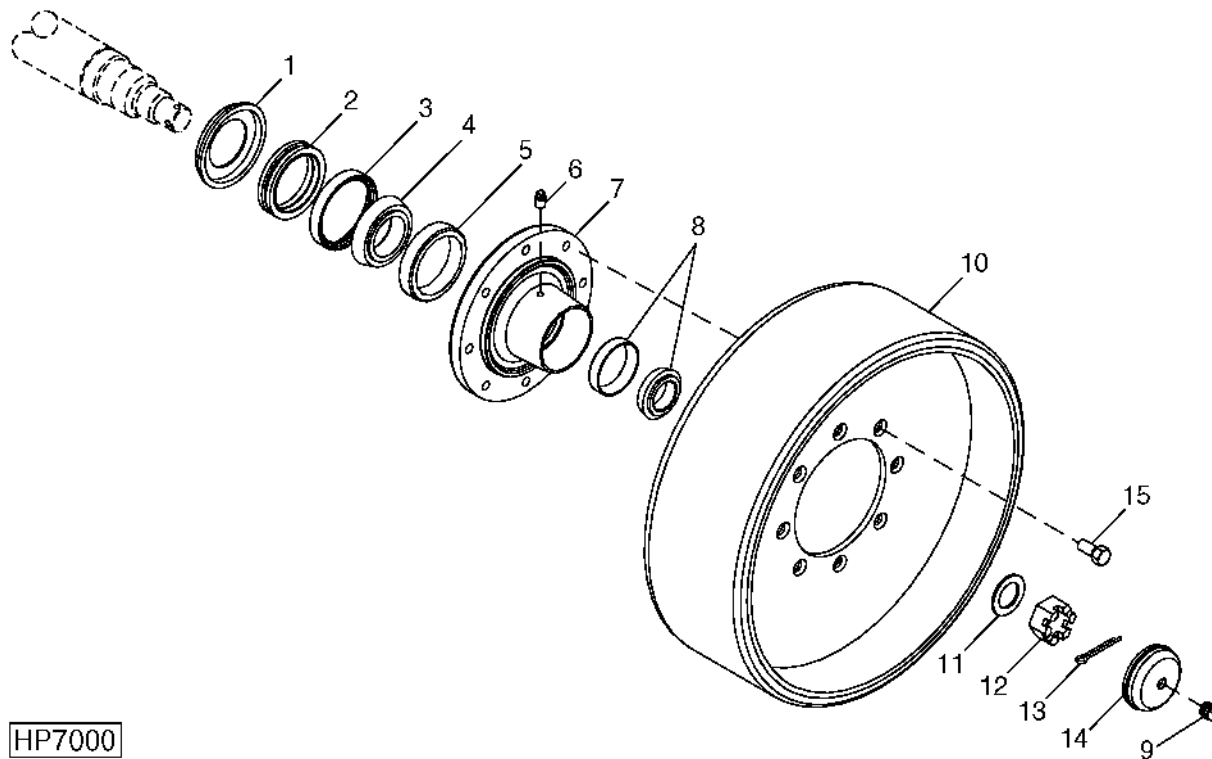


HP7004

REAR ARM, TENSION CYLINDER AND IDLER AXLE - CONTINUED

KEY	PART NO.	PART NAME	QTY	SERIAL NO.	0 H	REMARKS
1	JD7759	LUBRICATION FITTING	1		X	(A)
2	19M8011	CAP SCREW	8		X	(A) M12 X 30
3	H164001	BEARING CAP	2		X	(A)
4	H157615	SHIM	AR		X	(A) .508 MM
	H157616	SHIM	AR		X	(A) .254 MM
	H157617	SHIM	AR		X	(A) .127 MM
	H157696	WASHER	AR		X	(A) 1.0 MM
5	T68818	SEAL	2		X	(A)
6	T122720	BUSHING	2		X	(A)
7	H164000	PIN	1		X	(A)
8	AH165223	CYLINDER	1		X	
9	34M7254	SPRING PIN	1		X	(A) 16 X 90 MM
10	H152741	RETAINER	2		X	
11	AH164289	AXLE	1		X	
12	19M7785	SCREW	1		X	M10 X 25
13	AH149862	HYDRAULIC CYLINDER	1		X	
14	T140425	SNAP RING	2		X	
15	H159887	PIN	1		X	
16	AH150166	PIN	1		X	
17	H164002	SLEEVE	1		X	(A) REQUIRES TY15969 MAXIMUM STRENGTH RETAINING COMPOUND FOR INSTALLATION
..	TY15969	ADHESIVE	1		X	MAXIMUM STRENGTH RETAINING COMPOUND; REQUIRED FOR INSTALLATION OF SLEEVE H164002

IDLER WHEEL ASSEMBLY
HP7000 -UN-11SEP97



HP7000

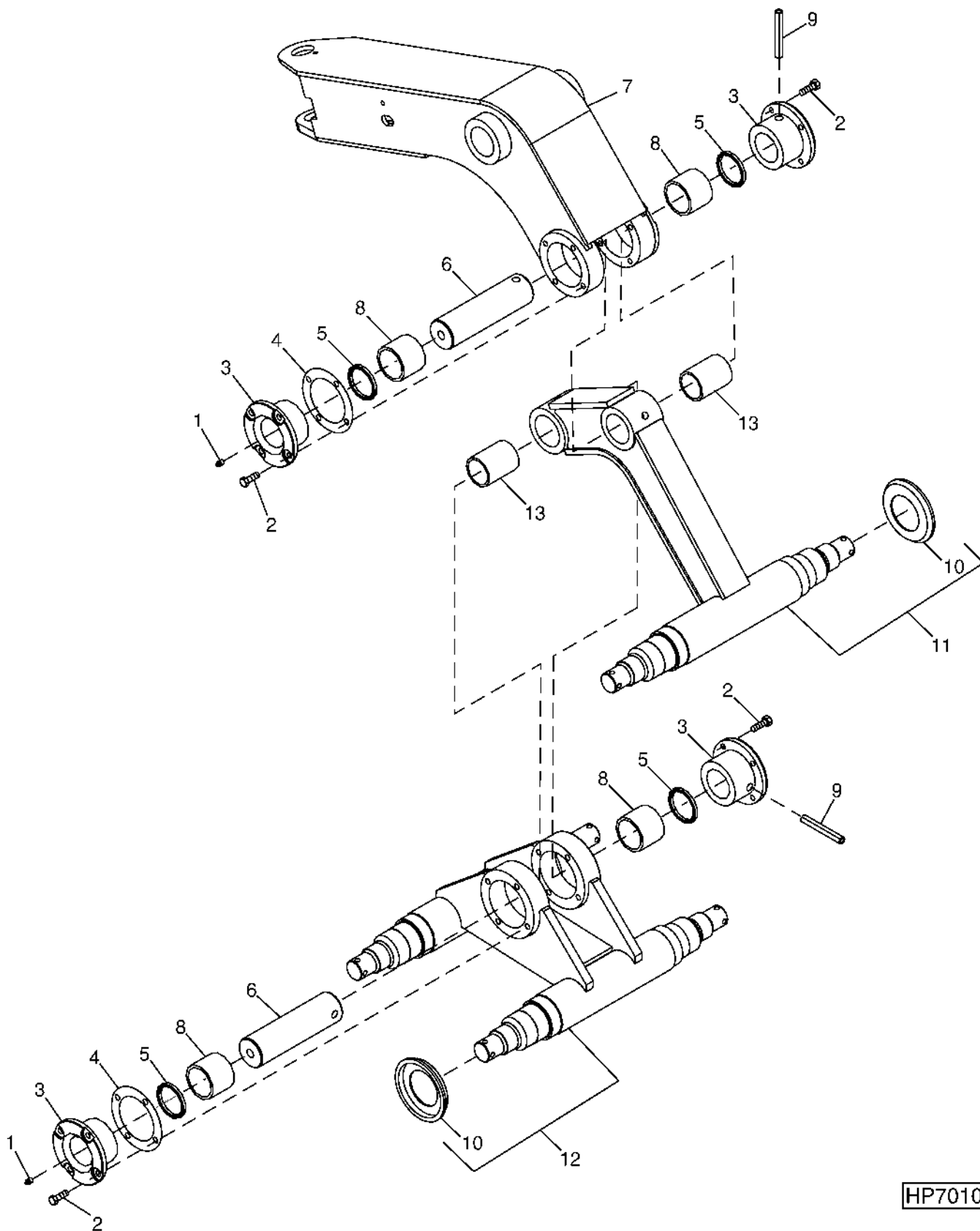
9
5
9 5
5 0
5 S
0 H

KEY	PART NO.	PART NAME	QTY	SERIAL NO.	REMARKS
1	H152741	RETAINER	1	X	
2	RE62719	SEAL	1	X	
3	H152740	RETAINER	1	X	
4	JD10266	BEARING CONE	1	X	
5	JD7298	BEARING CUP	1	X	
6	15H638	PIPE PLUG	2	X	1/8"
7	H152409	HUB	1	X	
8	AT121137	ROLLER BEARING	1	X	MATCHED SET
9	15H254	PIPE PLUG	1	X	1/4"
10	AH146764	WHEEL	1	X	
11	CA25242	WASHER	1	X	
12	T46438	NUT	1	X	
13	11H227	COTTER PIN	1	X	
14	AH160573	BEARING CAP	1	X	
15	R35192	WHEEL BOLT	8	X	

NOTE: QUANTITIES SHOWN FOR ONE ASSEMBLY.

MEMORANDA

BOGEY WHEEL AXLES
HP7010 -UN-15JUL97



HP7010

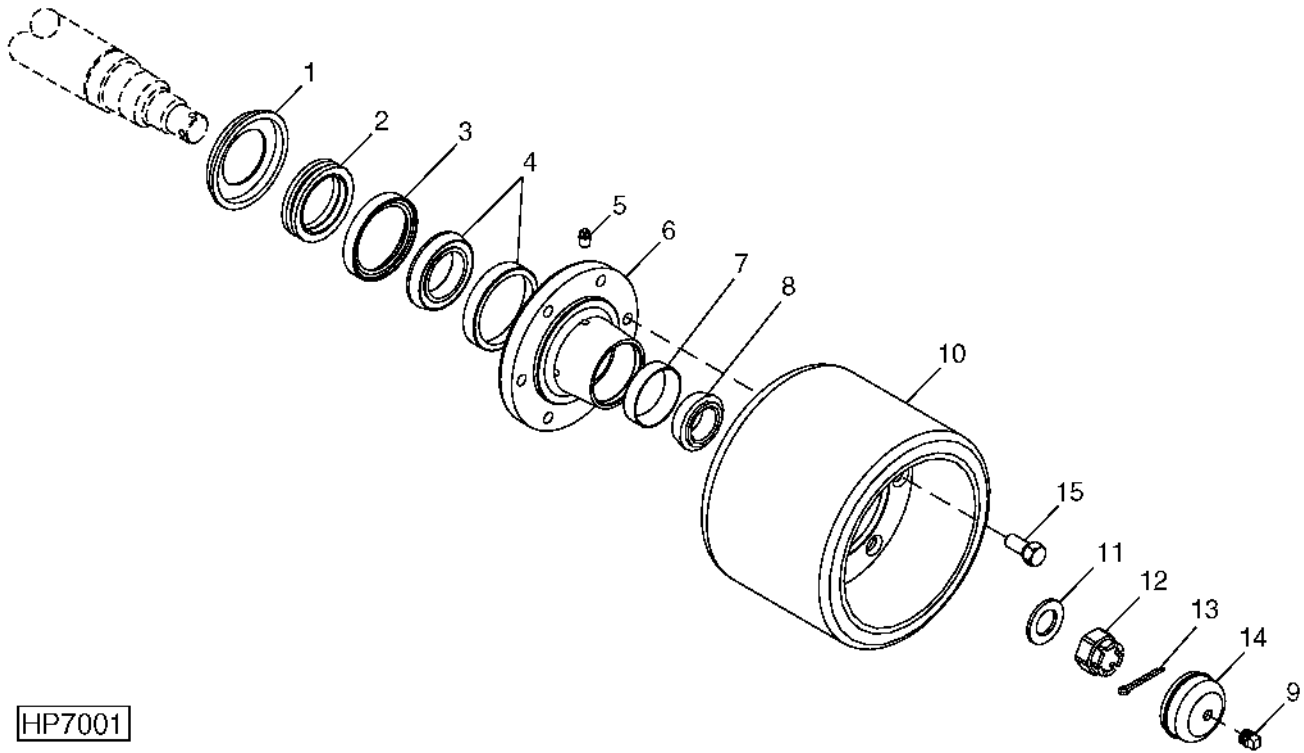
BOGEY WHEEL AXLES - CONTINUED

KEY	PART NO.	PART NAME	QTY	SERIAL NO.	0 H	REMARKS
					9 5 9 5 5 0 5 S 0 H	
1	JD7759	LUBRICATION FITTING	2		X	(A)
2	19M8011	CAP SCREW	16		X	(A) M12 X 30
3	H164001	BEARING CAP	4		X	(A)
4	H157615	SHIM	AR		X	(A) 0.50 MM
	H157616	SHIM	AR		X	(A) 0.25 MM
	H157617	SHIM	AR		X	(A) 0.13 MM
5	T68818	SEAL	4		X	(A)
6	H164000	PIN	2		X	(A)
7	AH165222	SUPPORT	1		X	
8	T122720	BUSHING	4		X	(A)
9	34M7254	SPRING PIN	2		X	(A) 16 X 90 MM
10	H152743	RETAINER	6		X	0.50 MM
11	AH164228	AXLE KNEE	1		X	
12	AH164304	SUPPORT	1		X	
13	H164002	SLEEVE	2		X	(A) REQUIRES TY15969 MAXIMUM STRENGTH RETAINING COMPOUND FOR INSTALLATION
..	TY15969	ADHESIVE	1		X	MAXIMUM STRENGTH RETAINING COMPOUND; REQUIRED FOR INSTALLATION OF SLEEVES H164002

4110

RUBBER TRACK SYSTEM

BOGEY WHEEL ASSEMBLY
HP7001 -UN-11SEP97



HP7001

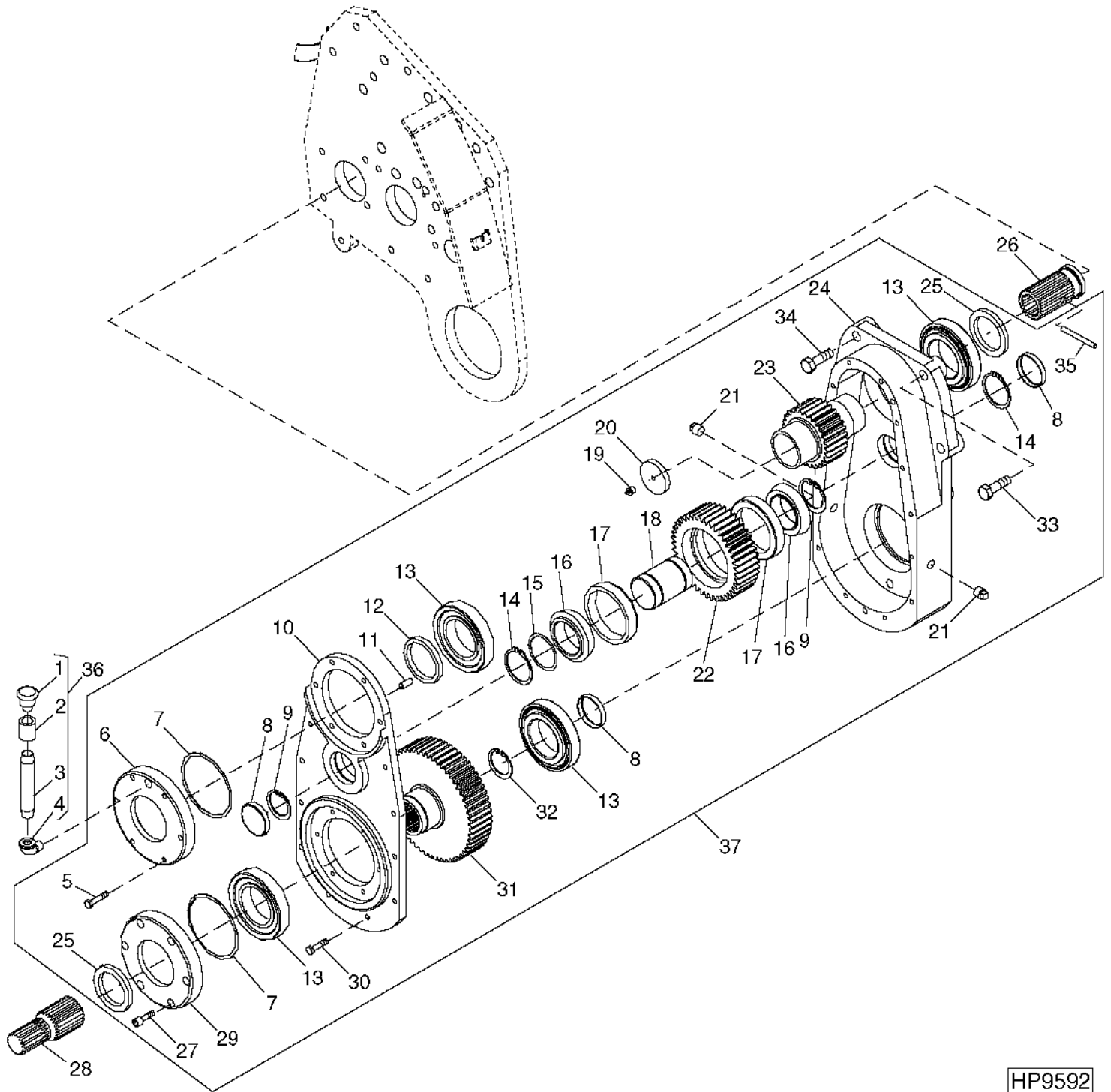
KEY	PART NO.	PART NAME	QTY	SERIAL NO.	9 5 9 5 5 0 5 S 0 H	REMARKS
1	H152743	RETAINER	1		X	
2	RE62718	SEAL	1		X	
3	H152742	RETAINER	1		X	
4	JD37125	ROLLER BEARING	1		X	MATCHED SET
5	15H638	PIPE PLUG	2		X	
6	H152410	HUB	1		X	
7	JD9121	BEARING CUP	1		X	
8	JD9058	BEARING CONE	1		X	
9	15H254	PIPE PLUG	1		X	
10	AH146765	WHEEL	1		X	
11	24M7230	WASHER	1		X	
12	14M7419	NUT	1		X	
13	11M7085	COTTER PIN	1		X	
14	AH160572	BEARING CAP	1		X	
15	R35192	WHEEL BOLT	6		X	

NOTE: QUANTITIES SHOWN FOR ONE ASSEMBLY.

MEMORANDA

4111

TRANSFER GEAR CASE
HP9592 -UN-25FEB00



HP9592

4112

RUBBER TRACK SYSTEM

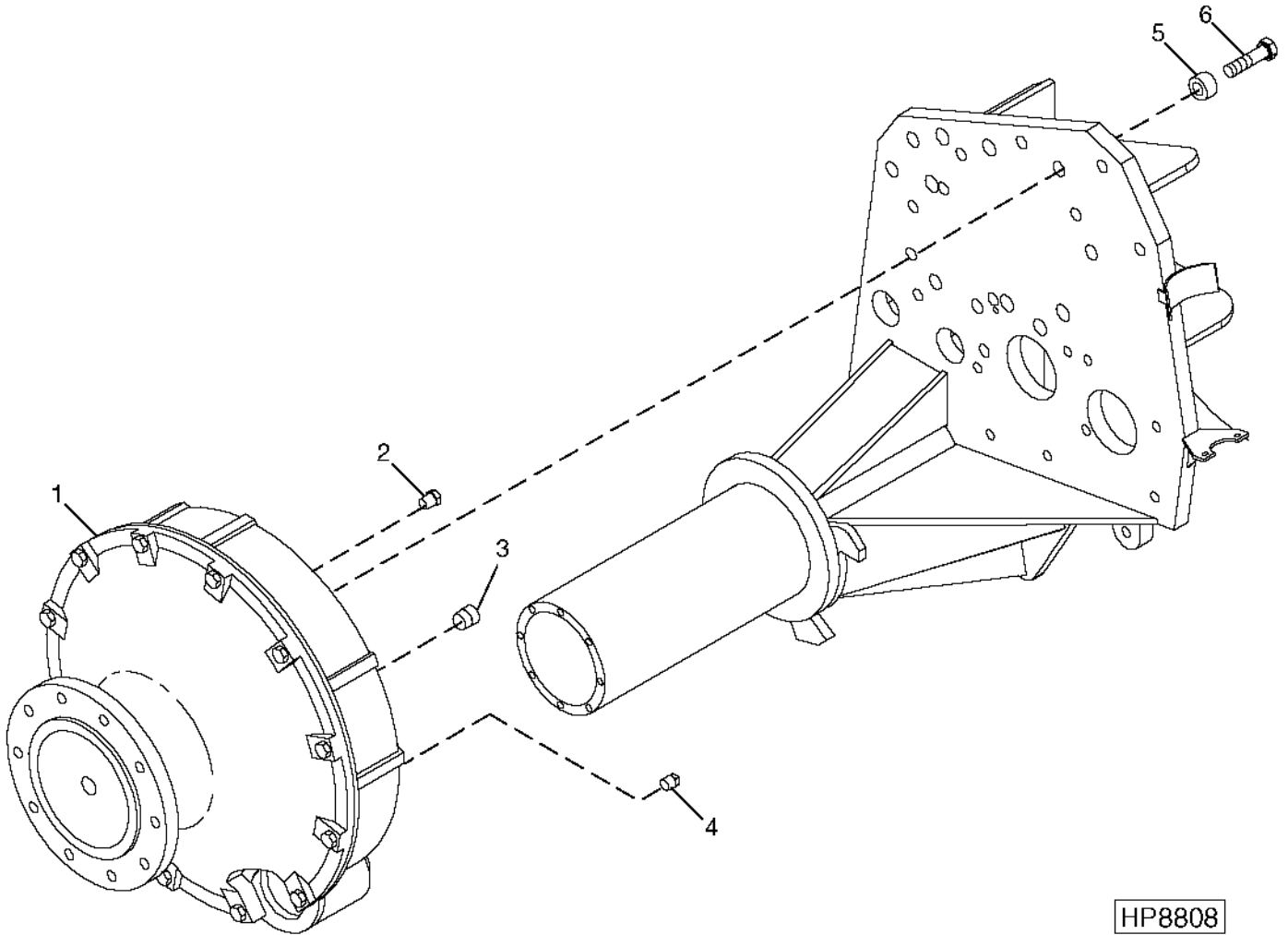
TRANSFER GEAR CASE - CONTINUED

KEY	PART NO.	PART NAME	QTY	SERIAL NO.	0 H	REMARKS
					9	
					5	
					9	
					5	
					0	
					5	
					S	
					0	
					H	
1	AH20868	BREATHER	1		X	
2	15H579	COUPLING	1		X	3/8"
3	29H217	THREADED NIPPLE	1		X	1/2"
4	CE17939	ELBOW FITTING	1		X	
5	19M7981	CAP SCREW	4		X	M8 X 55
	19M7922	CAP SCREW	2		X	M8 X 40
6	CE17916	BEARING CAP	1		X	
7	CE17923	SHIM	AR		X	.05
	CE17924	SHIM	AR		X	.01
	CE17925	SHIM	AR		X	.03
	CE17926	SHIM	AR		X	.50
8	CE17685	PLUG	3		X	
9	40M7229	SNAP RING	2		X	
10	CE17915	CAP	1		X	
11	R26650	DOWEL PIN	2		X	3/8" X 1"
12	DE18750	SEAL	1		X	
13	JD37125	ROLLER BEARING	4		X	
14	40M7048	SNAP RING	2		X	
15	CE16825	SHIM	AR		X	.20
	CE16623	SHIM	AR		X	.30
	CE16624	SHIM	AR		X	.40
	CE16625	SHIM	AR		X	.50
16	JD7366	BEARING CONE	2		X	
17	JD8206	BEARING CUP	2		X	
18	CE17918	JACKSHAFT	1		X	
19	JD7798	LUBRICATION FITTING	1		X	
20	CE17922	PLUG	1		X	
21	15H255	PIPE PLUG	3		X	3/8"
22	CE17920	SPUR GEAR	1		X	
23	CE17919	SPUR GEAR	1		X	
24	CE17914	HOUSING	1		X	
25	AB4462R	SEAL	2		X	
26	H151608	SPUR GEAR	1		X	FOR SINGLE REDUCTION FINAL DRIVE
27	CE17927	CAP SCREW	6		X	
28	H152256	SPUR GEAR	1		X	FOR SINGLE REDUCTION FINAL DRIVE
29	CE17917	BEARING CAP	1		X	
30	19M8008	CAP SCREW	10		X	M8 X 35
31	CE17921	SPUR GEAR	1		X	
32	40M7216	SNAP RING	1		X	
33	19M8306	SCREW	1		X	M12 X 50, FOR PLANETARY FINAL DRIVE
34	19M7794	SCREW	5		X	M16 X 50, FOR PLANETARY FINAL DRIVE
35	CE18118	PIN	1		X	
36	DE19160	MOUNTING PARTS	1		X	
37	DE19159	GEAR CASE	1		X	SUB FOR DE18748; ALSO NEED DE19160 AND KEYS 26 AND 28.

4113

RUBBER TRACK SYSTEM

**FINAL DRIVE MOUNTING
(SINGLE REDUCTION)**
HP8808 -UN-08JUL99



HP8808

4114

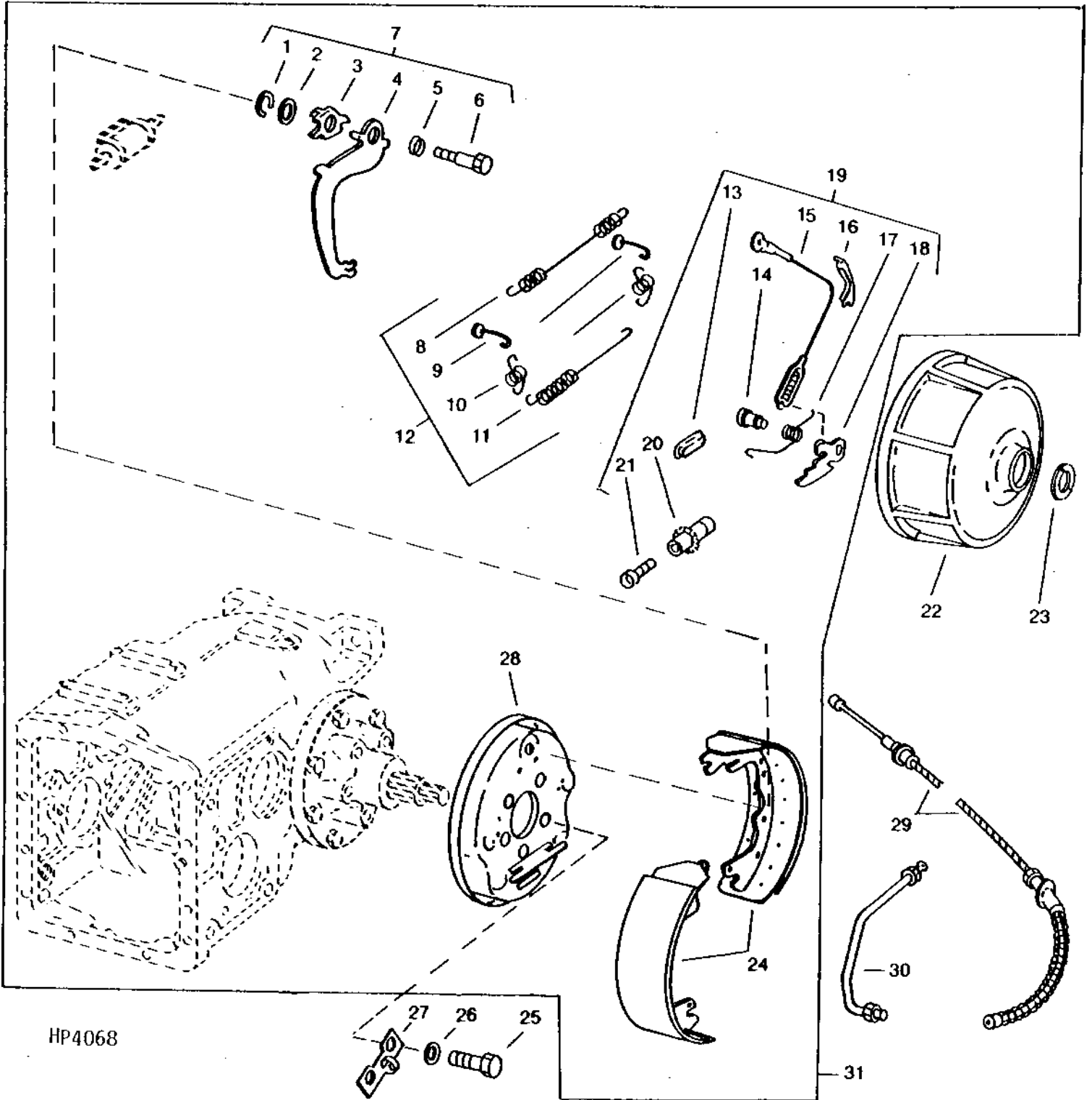
RUBBER TRACK SYSTEM

**FINAL DRIVE MOUNTING - CONTINUED
(SINGLE REDUCTION)**

KEY	PART NO.	PART NAME	QTY	SERIAL NO.	9 5 9 5 5 0 5 S 0 H	REMARKS
1	AH163026	DRIVE	1		X	L.H.
	AH163027	DRIVE	1		X	R.H.
2	AH146183	BREATHER	1		X	
3	H87691	BUSHING	2		X	
4	15H561	PIPE PLUG	1		X	1/2"
5	H156127	SLEEVE	6		X	
6	19M7892	CAP SCREW	6		X	M20 X 80

NOTE: REFER TO APPROPRIATE COMBINE PARTS CATALOG FOR INDIVIDUAL REPAIR PARTS.

BRAKE SHOES AND DRUM
(L.H. ILLUSTRATED)
HP4068 -UN-01JAN94



HP4068

4116

RUBBER TRACK SYSTEM

BRAKE SHOES AND DRUM - CONTINUED
(L.H. ILLUSTRATED)

KEY	PART NO.	PART NAME	QTY	SERIAL NO.	9 5 9 5 5 0 5 S 0 H	REMARKS
1	SNAP RING	1		X	
2	WASHER	1		X	
3	CAM	1		X	
4	LEVER	1		X	
5	SPRING	1		X	
6	BOLT	1		X	(ANCHOR PIN)
7	AH131058	KIT	1		X	R.H.
	AH131059	KIT	1		X	L.H.
8	SPRING	1		X	(UPPER SHOE-TO-SHOE)
9	H140315	LINK	2		X	
10	SPRING	2		X	(LOWER SHOE-TO-SHOE)
11	SPRING	2		X	(HOLD DOWN)
12	AH131051	KIT	1		X	
13	COVER	1		X	(RUBBER)
14	PIN	1		X	
15	CABLE	1		X	
16	GUIDE	1		X	
17	SPRING	1		X	
18	PAWL	1		X	(ADJUSTER)
19	AH131054	KIT	1		X	R.H.
	AH131055	KIT	1		X	L.H.
20	WHEEL	1		X	
21	SCREW	1		X	
22	CE18206	BRAKE DRUM	2		X	
23	B32564	RING	2		X	
24	AH143333	BRAKE SHOE	1		X	R.H. AND L.H. (SET OF 4); FOR USE WITH RUBBER TRACK SYSTEM ONLY
25	19M7597	CAP SCREW	5		X	M20 X 50
26	N12679	WASHER	5		X	
27	H133351	GUIDE	2		X	
28	AH149829	PLATE	1		X	
29	AH141582	CABLE	1		X	
30	AH128842	OIL LINE	1		X	L.H.
	AH128843	OIL LINE	1		X	R.H.
31	AH134304	BRAKE	1		X	(A) R.H.
	AH134305	BRAKE	1		X	(A) L.H.

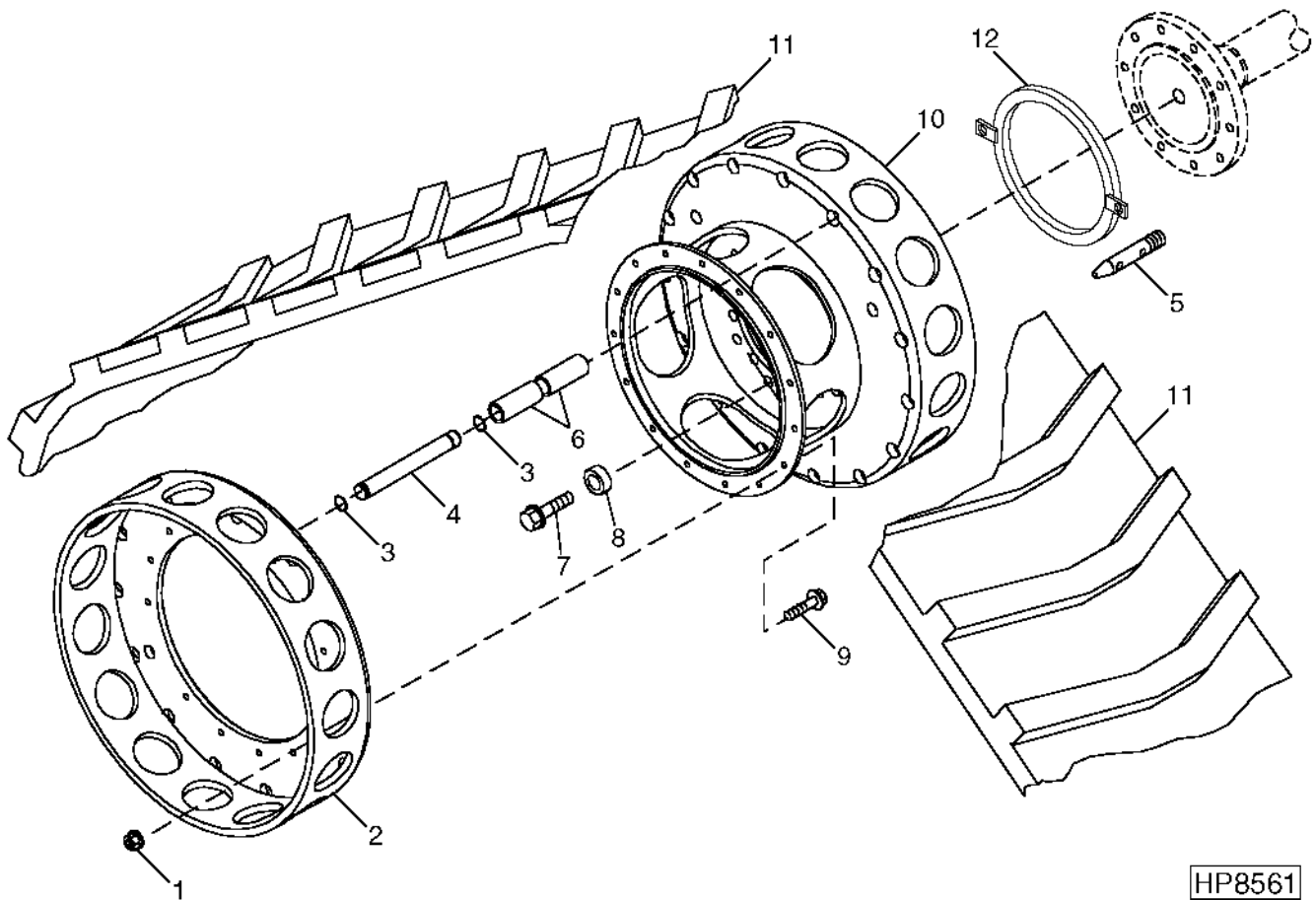
(A) DOES NOT INCLUDE AH143333 BRAKE SHOES REQUIRED FOR TRACK SYSTEM. ORDER SEPARATELY.

NOTE: QUANTITIES SHOWN ARE FOR ONE UNIT. TWO UNITS USED PER MACHINE.

4117

RUBBER TRACK SYSTEM

DRIVE WHEEL AND BELT
HP8561 -UN-07MAY99



HP8561

4118

RUBBER TRACK SYSTEM

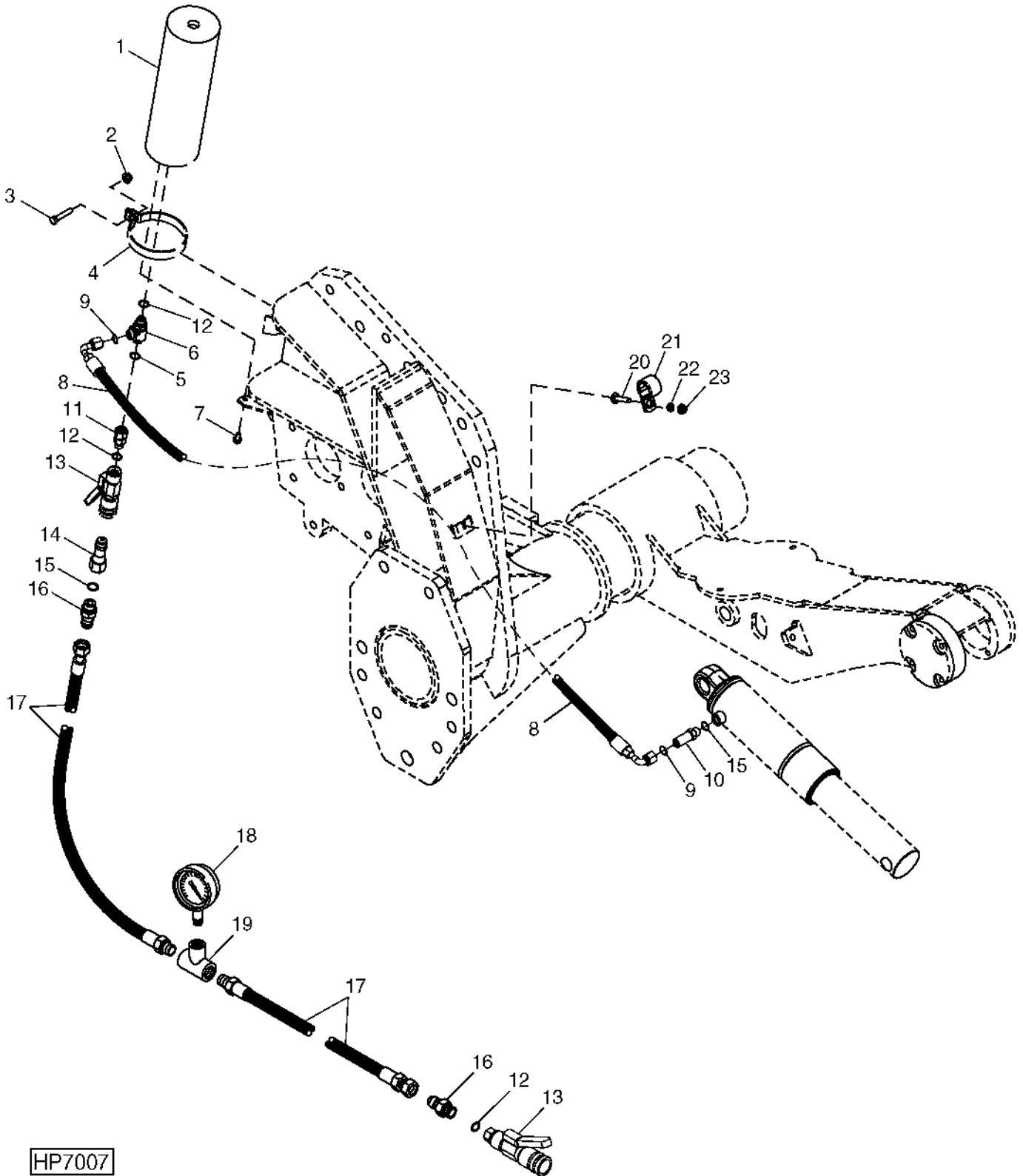
DRIVE WHEEL AND BELT - CONTINUED

KEY	PART NO.	PART NAME	QTY	SERIAL NO.	9 5 9 5 5 0 5 S 0 H	REMARKS
1	14M7299	FLANGE NUT	15		X	M12
2	AH150171	WHEEL	1		X	
3	T30424	O-RING	30		X	28.296 X 1.778 MM
4	H157716	PIN	15		X	
5	H138607	STUD	1		X	(USE FOR WHEEL MOUNTING ONLY)
6	H157718	BUSHING	30		X	
7	H170072	SCREW	10		X	
8	H134114	SPACER	10		X	21.500 X 50 X 28 MM
9	19M7791	SCREW	15		X	M12 X 40
10	AH150172	WHEEL	1		X	
11	BELT	1		X	NFS; 30" X 276" X 46 PITCH; CONTACT FIRESTONE FOR PART INFORMATION AT 1-800-745-1739
	BELT	1		X	NFS; 34" X 276" X 46 PITCH; CONTACT FIRESTONE FOR PART INFORMATION AT 1-800-745-1739
12	AH160669	RING	1		X	

4119

RUBBER TRACK SYSTEM

TENSION CYLINDER HYDRAULICS
HP7007 -UN-10OCT97

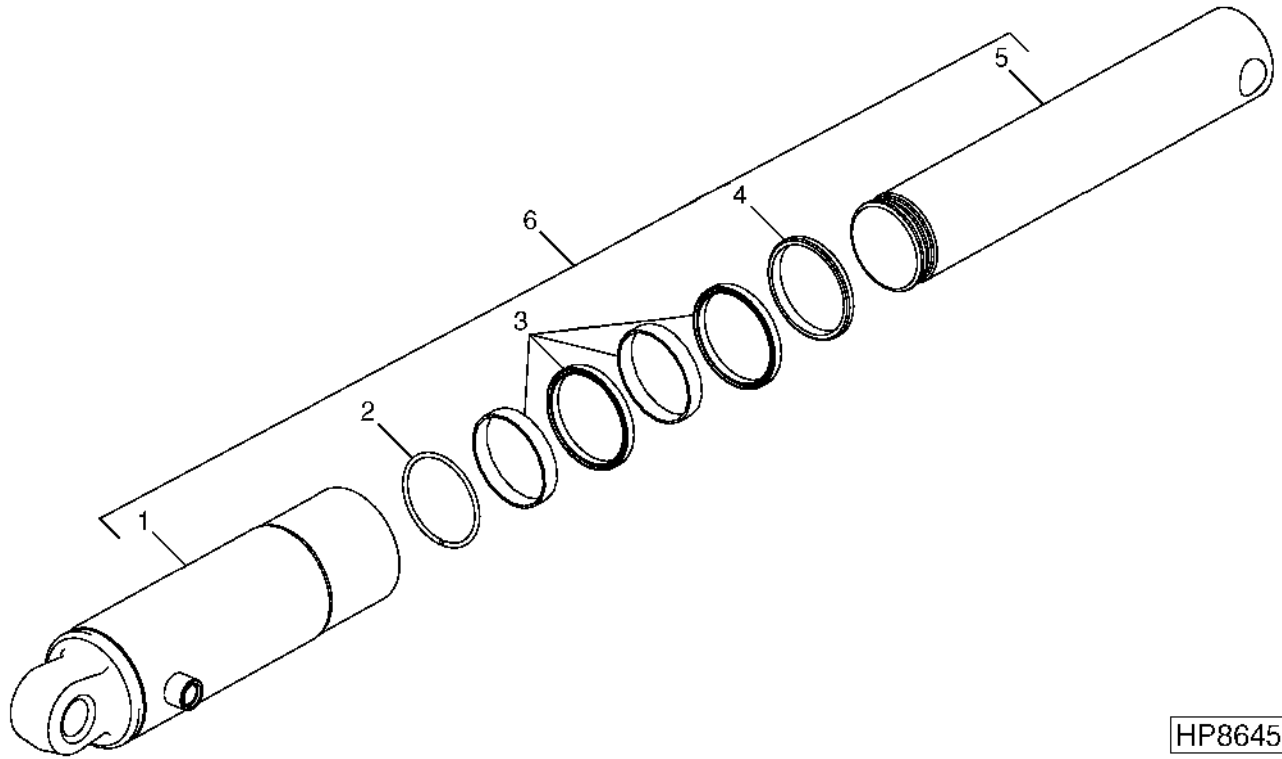


HP7007

TENSION CYLINDER HYDRAULICS - CONTINUED

KEY	PART NO.	PART NAME	QTY	SERIAL NO.	REMARKS
					9
					5
					9
					5
					0
					5
					S
					0
					H
1	AH133265	ACCUMULATOR	1	X	
2	14M7296	FLANGE NUT	1	X	M10
3	19M8162	CAP SCREW	1	X	M10 X 40
4	R77178	CLAMP	1	X	
5	T77857	O-RING	1	X	0.489" X 0.070"
6	38H1024	TEE FITTING	1	X	
7	19M7865	SCREW	2	X	M8 X 16
8	AT135291	HYDRAULIC HOSE - FABRICATE	1	X	13/16" X 1 925 MM (75-3/4") X 13/16"
9	T77857	O-RING	2	X	0.489" X 0.070"
10	38H1213	ADAPTER	1	X	
11	38H1068	ADAPTER	1	X	
12	R21722	O-RING	2	X	
13	AH128241	HYD. QUICK-CONNECT COUPLER	2	X	
14	AR94522	INTERNAL HALF COUPLER	1	X	
15	R26375	O-RING	2	X	0.644" X 0.087"
16	R36426	FITTING	2	X	
17	AH112931	HYDRAULIC HOSE	2	X	9/16" X 2 300 MM (90-1/2") X 1/4"
18	AH108080	PRESSURE GAUGE	1	X	
19	15H689	TEE FITTING	1	X	
20	03M7232	BOLT	1	X	M6 X 25
21	T72393	CLAMP	1	X	
22	24M7054	WASHER	1	X	6.400 X 12 X 1.600 MM
23	14M7303	FLANGE NUT	1	X	M6

TENSION CYLINDER
 HP8645 -UN-11JUN99

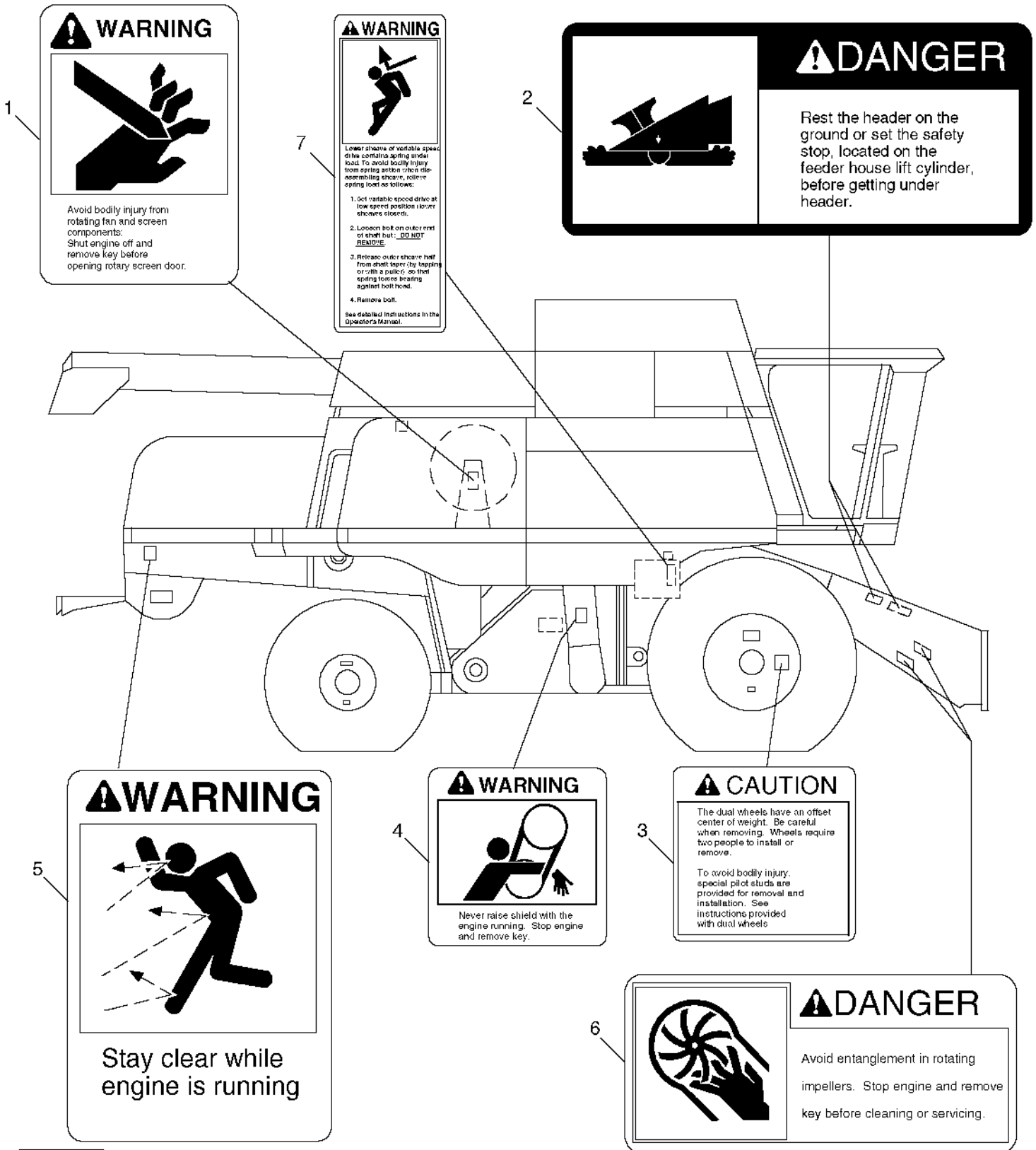


HP8645

KEY	PART NO.	PART NAME	QTY	SERIAL NO.	9 5 9 5 5 0 H	REMARKS
1	HYDRAULIC CYLINDER BARREL	1		X	
2	H145548	SNAP RING	1		X	
3	AH140063	HYDRAULIC CYLINDER KIT	1		X	
4	F3450R	O-RING	1		X	
5	ROD	1		X	
6	AH149862	HYDRAULIC CYLINDER	1		X	

MEMORANDA

SAFETY DECALS AND LOCATIONS
HP9630 -UN-24MAR00



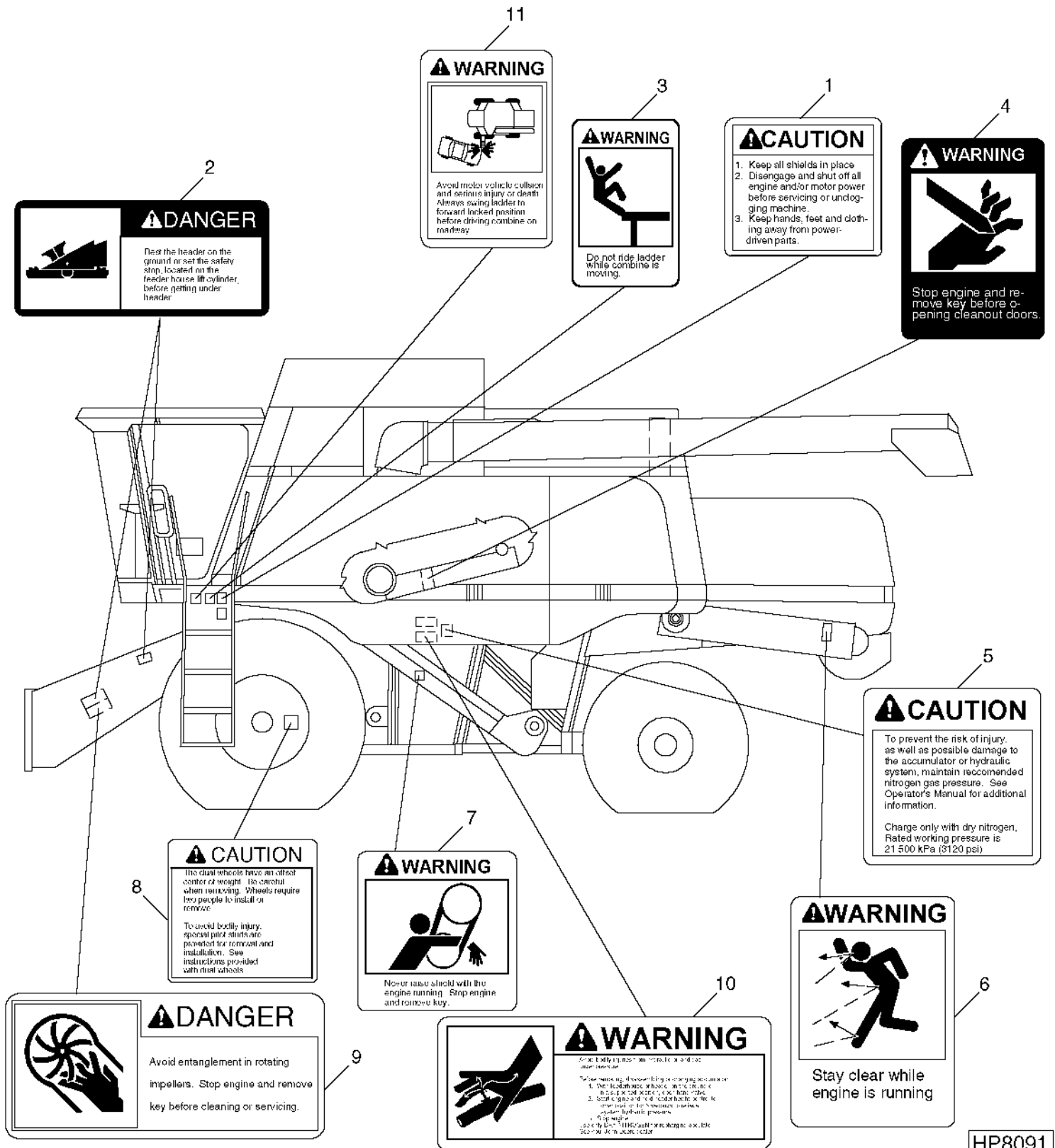
HP9630

SAFETY DECALS AND LOCATIONS - CONTINUED

KEY	PART NO.	PART NAME	QTY	SERIAL NO.	9 5 9 5 5 0 5 S 0 H	REMARKS
1	H149088	DECAL	1		X X	ROTARY SCREEN
2	H149063	LABEL	2		X X	HEADER
3	H158975	DECAL	1		X	DUAL WHEELS
4	H149099	DECAL	1		X X	CLEAN GRAIN ELEVATOR
5	H149096	LABEL	1		X X	PROJECTILE
6	H164537	SIGN	2		X	AIR FLOW (ONLY W/ AIR FLOW FEEDERHOUSE OPT.)
7	H173241	SAFETY SIGN	1		X X	COMPRESSED SPRING

SAFETY DECALS AND LOCATIONS

HP8091 -UN-27JUL99

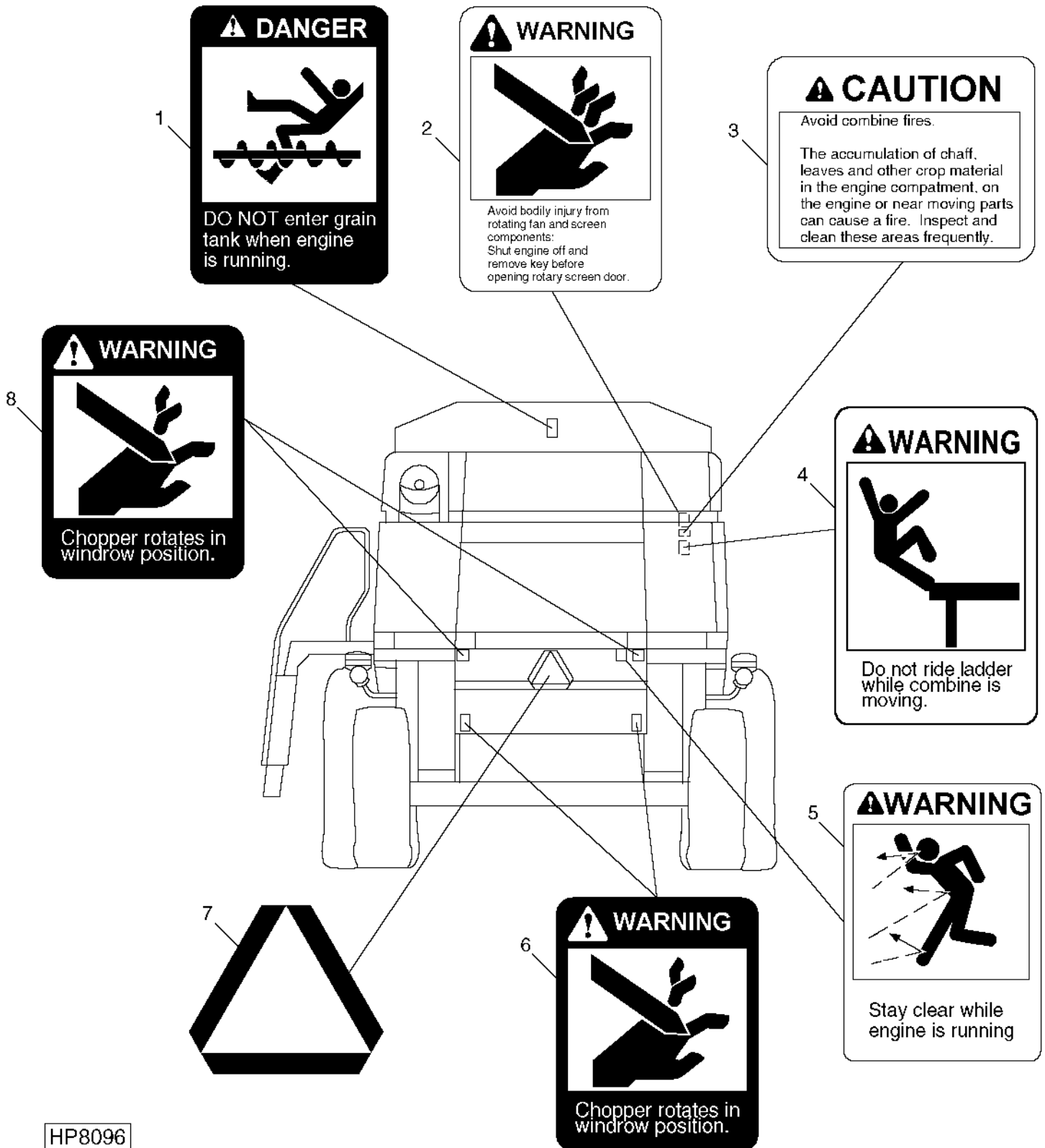


HP8091

SAFETY DECALS AND LOCATIONS - CONTINUED

KEY	PART NO.	PART NAME	QTY	SERIAL NO.	9 5 9 5 5 0 5 S 0 H	REMARKS
1	E82510	LABEL	1		X X	GENERAL RULES
2	H149063	LABEL	2		X X	HEADER
3	H149064	LABEL	1		X X	LADDER
4	H149066	LABEL	1		X X	CLEANOUT DOOR
5	H149092	LABEL	1		X X	ACCUMULATOR
6	H149096	LABEL	1		X X	PROJECTILE
7	H149099	DECAL	1		X X	SHIELD REMOVAL
8	H158975	DECAL	1		X	DUAL WHEELS
9	H164537	SIGN	2		X	FEEDERHOUSE & FAN HOUSING COVER (ONLY W/ AIR FLOW FEEDERHOUSE)
10	H149067	LABEL	1		X X	FLUID INJECTION
11	H170654	SAFETY SIGN	1		X X	LADDER TRANSPORT POSITION

SAFETY DECALS AND ROADWAY MARKINGS LOCATIONS
HP8096 -UN-15MAR99



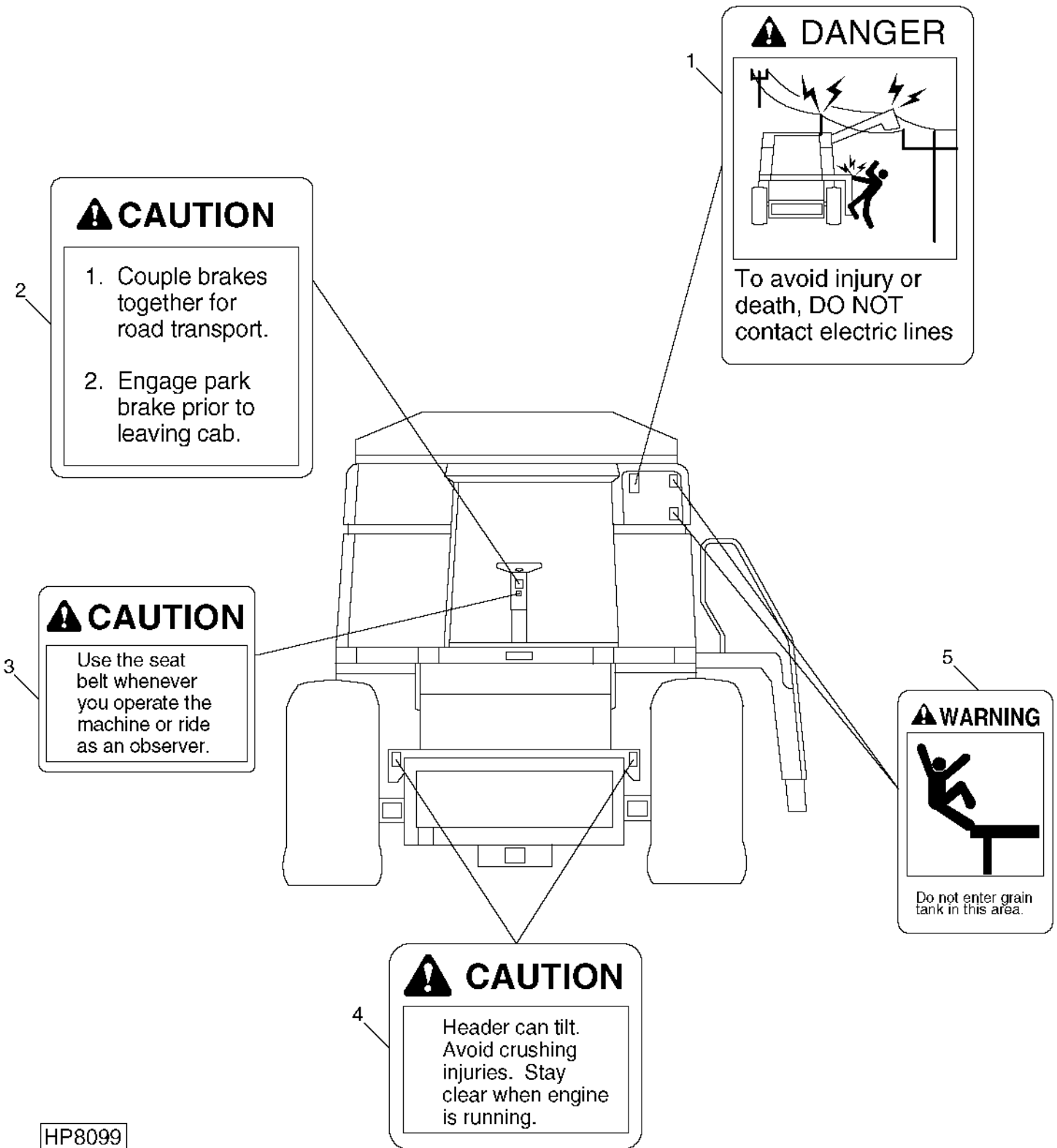
HP8096

SAFETY DECALS AND LOCATIONS - CONTINUED

KEY	PART NO.	PART NAME	QTY	SERIAL NO.	9 5 9 5 5 0 5 S 0 H	REMARKS
1	H149062	DECAL	1		X X	GRAIN TANK
2	H149088	DECAL	1		X X	ROTARY SCREEN
3	H169516	SAFETY SIGN	1		X X	CAUTION (COMBINE FIRES)
4	H149064	LABEL	1		X X	LADDER
5	H149096	LABEL	1		X X	PROJECTILE
6	H149102	DECAL	2		X X	CHOPPER (EXCEPT WIDE SPREAD CHOPPER)
7	JD5927	SMV EMBLEM	1		X X	EMBLEM (SLOW MOVING VEHICLE)
8	H149102	DECAL	2		X X	WIDE SPREAD CHOPPER (ONLY)
9	JD5920	REFLECTOR	4		X X	LABEL REFLECTIVE (RED)
10	JD5921	REFLECTOR	2		X X	LABEL REFLECTIVE (YELLOW) (ON FRONT OF PLATE OPPOSITE RED LABEL)
11	JD5922	REFLECTOR	4		X X	LABEL REFLECTIVE (ORANGE)

4J5

SAFETY DECALS AND LOCATIONS
HP8099 -UN-04JAN99



HP8099

4J6

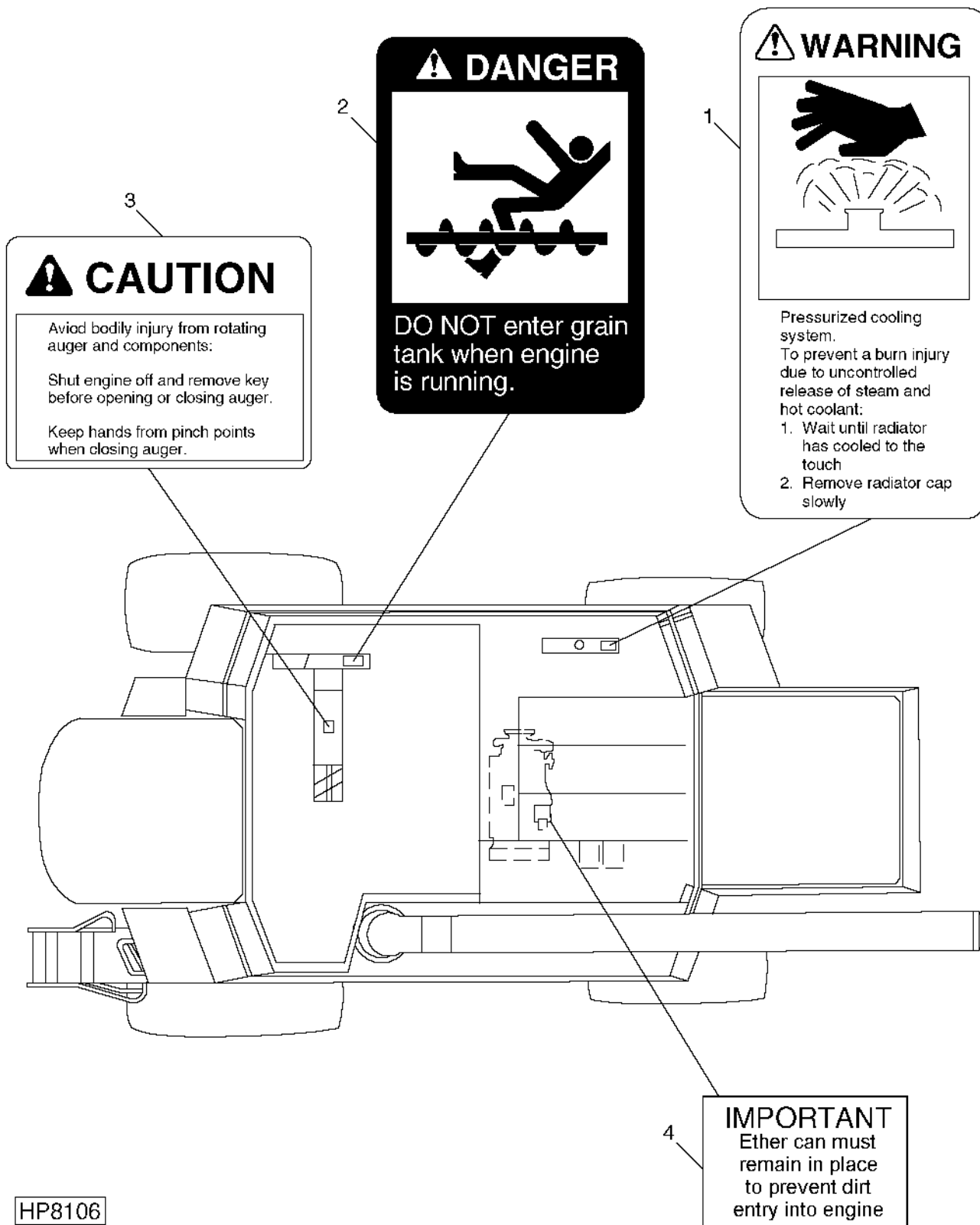
DECALS

SAFETY DECALS AND LOCATIONS - CONTINUED

KEY	PART NO.	PART NAME	QTY	SERIAL NO.	9 5 9 5 5 0 5 S 0 H	REMARKS
1	H149090	LABEL	1		X X	POWERLINE CONTACT
2	H156390	LABEL	1		X X	BRAKE TRANSPORT INFORMATION
3	H155510	SIGN	1		X X	SEAT BELT
4	H151607	SIGN	4		X	CAUTION HEADER (CONTOUR MASTER)
5	H149065	LABEL	2		X X	GRAIN TANK

SAFETY DECALS AND LOCATIONS

HP8106 -UN-03JUN99



4J8

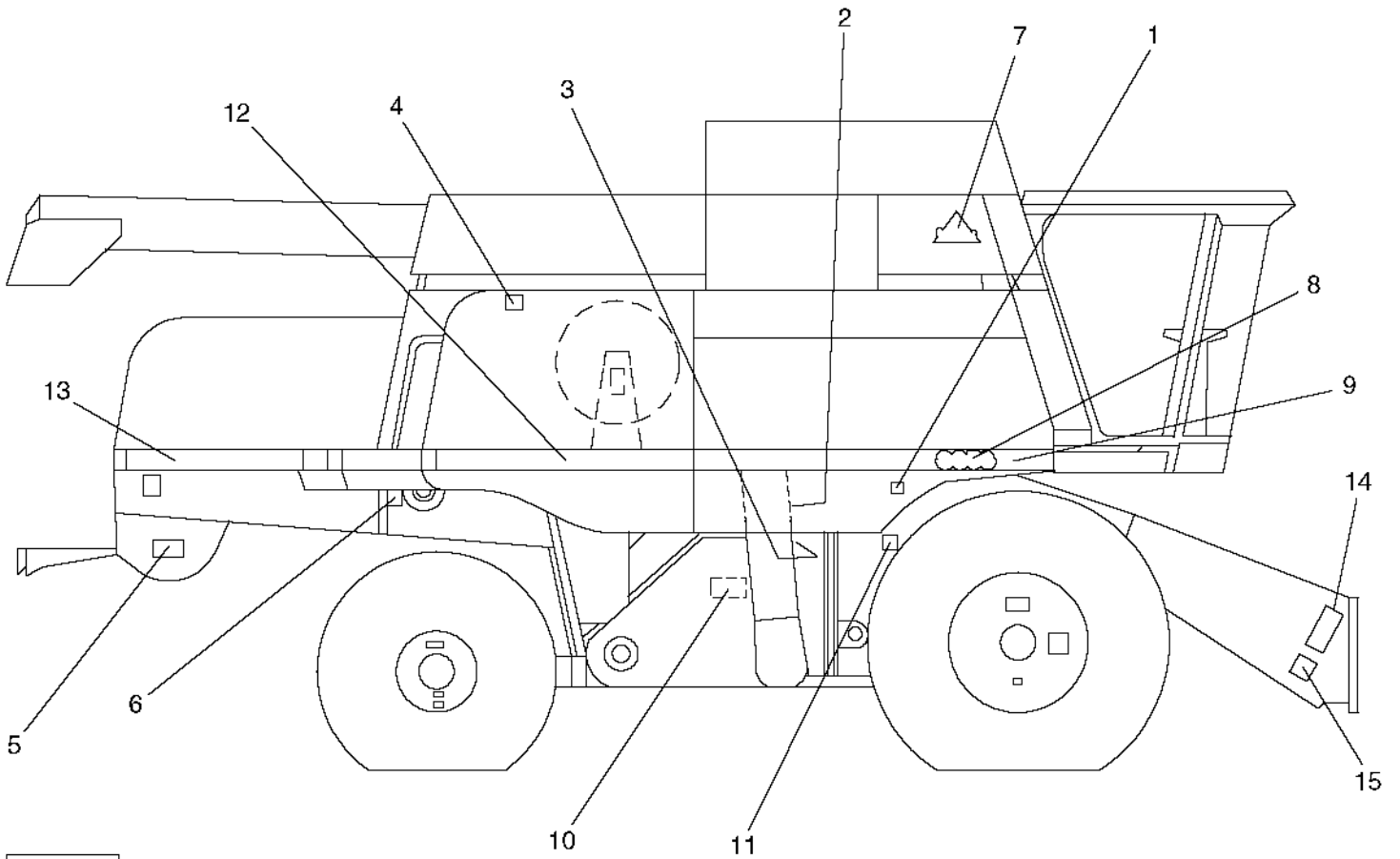
DECALS

SAFETY DECALS AND LOCATIONS - CONTINUED

KEY	PART NO.	PART NAME	QTY	SERIAL NO.	9 5 9 5 5 0 5 S 0 H	REMARKS
1	H169344	DECAL	1		X X	PRESSURIZED COOLING SYSTEM
2	H149062	DECAL	1		X X	GRAIN TANK
3	H151397	SIGN	1		X X	FOLDING AUGER
4	H86896	DECAL	1		X X	ETHER CAN

4J9

RIGHT-HAND DECALS
HP9246 -UN-11NOV99



HP9246

4J10

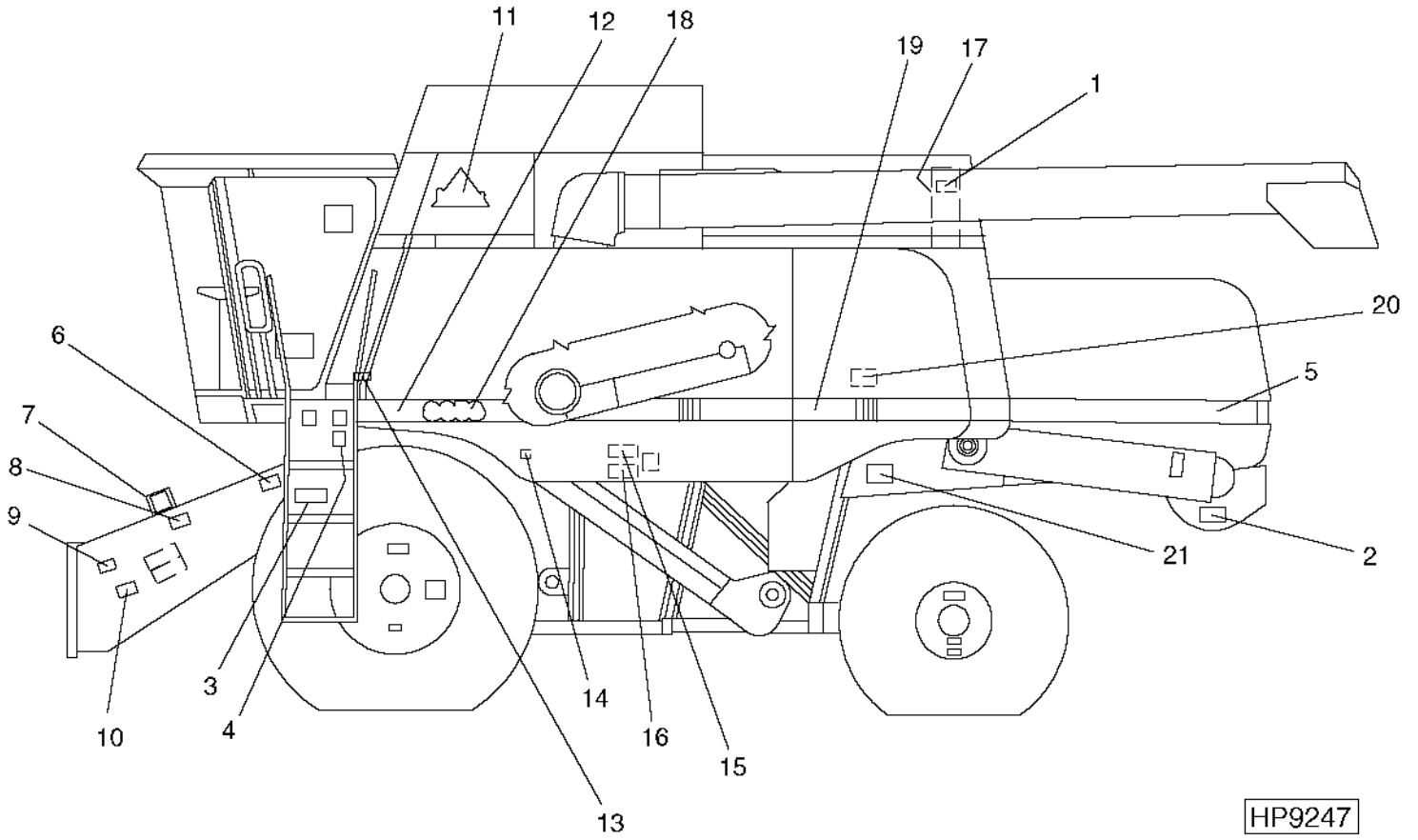
DECALS

RIGHT-HAND DECALS - CONTINUED

KEY	PART NO.	PART NAME	QTY	SERIAL NO.	REMARKS
					9
					5
					9 5
					5 0
					5 S
					0 H
1	H151318	SIGN	1	X X	IMPORTANT (BEATER CURTAIN REMOVAL)
2	H139393	LABEL	1	X X	INSTRUCTION (SHOE, WALKERS, AUGERS BELT ROUTING DIAGRAM)
3	H163235	LABEL	1	X X	INSTRUCTION (CLEAN GRAIN ELEVATOR BELT ROUTING DIAGRAM)
4	H144692	LABEL	1	X X	INSTRUCTION (ROTARY SCREEN BELT ROUTING DIAGRAM)
5	H171093	LABEL	1	X	IMPORTANT (CHOPPER POSITION)
6	H167691	LABEL	1	X X	LIGHT SWITCH
7	H163216	LABEL	1	X X	GREENSTAR
8	H168458	LABEL	1	X	"9550"
	H168459	LABEL	1	X	"9550" SIDEHILL
9	H167835	LABEL	1	X X	GULLWING
10	H154999	LABEL	1	X X	LUBRICATION CHART (SINGLE RANGE)
	H155000	LABEL	1	X X	LUBRICATION CHART (DUAL RANGE)
11	H114270	DECAL	1	X X	INSTRUCTION (CYLINDER GEARBOX)
12	H167719	LABEL	1	X X	"JOHN DEERE"
13	H167842	LABEL	1	X X	REAR HOOD
14	H123351	LABEL	1	X X	FEEDER DRUM HEIGHT ADJUSTMENT
15	H150434	LABEL	1	X	IMPORTANT (LUBRICATE UNIVERSAL)
..	AH167573	KIT	1	X X	SPANISH DECALS

4J11

LEFT-HAND DECALS
HP9247 -UN-11NOV99



4J12

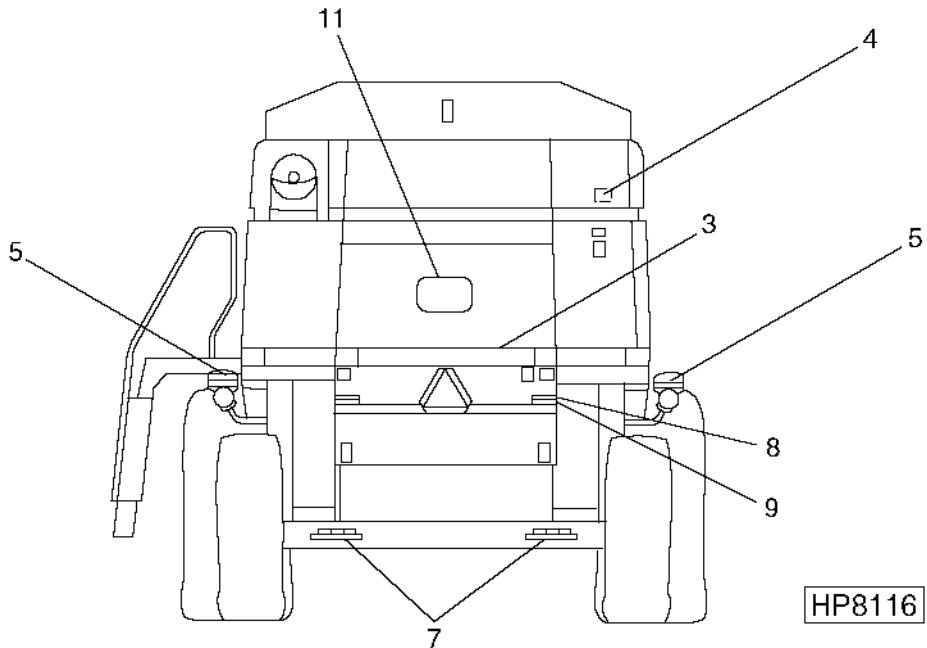
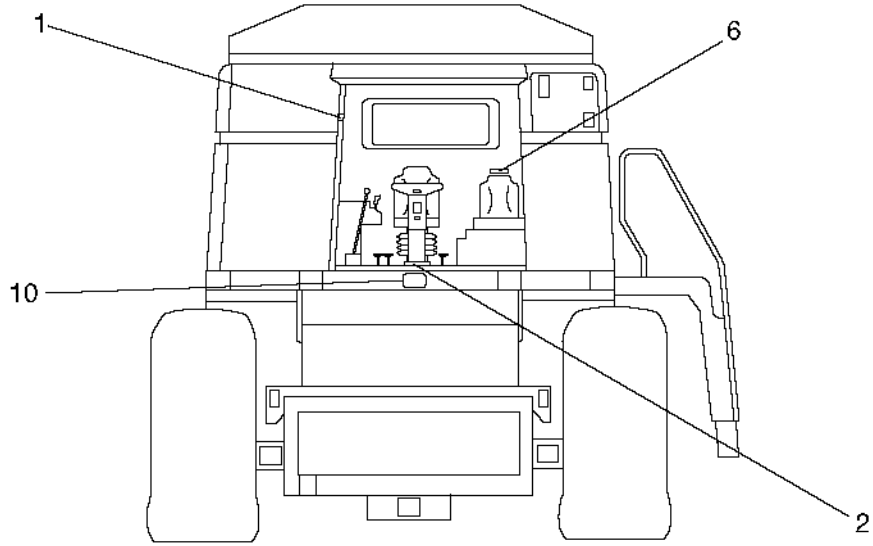
DECALS

LEFT-HAND DECALS - CONTINUED

KEY	PART NO.	PART NAME	QTY	SERIAL NO.	0 H	REMARKS
					9	
					5	
					9 5	
					5 0	
					5 S	
					0 H	
1	H110923	LABEL	1		X X	IMPORTANT (CHECK HYD. OIL LEVEL)
2	H171093	LABEL	1		X X	IMPORTANT (CHOPPER POSITION)
3	H169349	DECAL	1		X X	LUBRICATION CHART-LH
4	H173111	LABEL	1		X X	(SUB FOR H169491 OR H169494) IMPORTANT (TIRE LOADING)
5	H167843	LABEL	1		X X	REAR HOOD
6	H158840	LABEL	1		X X	SERVICE (LUBE VARIABLE SPEED DRIVE)
7	H160701	LABEL	1		X	IMPORTANT (FEEDERHOUSE CHAIN ADJUSTMENT)
	H160702	LABEL	1		X	IMPORTANT (FEEDERHOUSE CHAIN ADJUSTMENT)
8	H137939	LABEL	1		X X	IMPORTANT (HARNES & HOSE STORAGE)
9	H123351	LABEL	1		X X	INSTRUCTION (DRUM ADJUSTMENT)
10	H150434	LABEL	1		X	IMPORTANT (LUBRICATE UNIVERSAL)
	H147324	LABEL	1		X	IMPORTANT (LUBRICATE SIDEHILL)
11	H163216	LABEL	1		X X	GREENSTAR
12	H167834	LABEL	1		X X	GULLWING
13	H150119	LABEL	1		X X	SERVICE (CAB AIR PRECLEANER)
	H127074	LABEL	1		X	
14	H151318	SIGN	1		X X	IMPORTANT (BEATER CURTAIN REMOVAL)
15	H171624	LABEL	1		X X	INSTRUCTION (ACCUMULATOR SETTINGS)
16	H166949	LABEL	1		X X	LABEL (LIGHT SWITCH)
17	H128315	LABEL	1		X X	INSTRUCTION (DIAGNOSTIC PORTS)
18	H168458	LABEL	1		X	(9550)
	H168459	LABEL	1		X	(9550)SIDEHILL
19	H167840	LABEL	1		X X	"JOHN DEERE"
20	H171311	DECAL	1		X X	INSTRUCTION (VALVE STACK DIAGNOSTICS)
21	H169764	DECAL	1		X X	INSTRUCTION (CLEANING SHOE SETTINGS)

4J13

FRONT AND REAR DECALS
HP8116 -UN-03JUN99



HP8116

4J14

DECALS

FRONT & REAR DECALS - CONTINUED

KEY	PART NO.	PART NAME	QTY	SERIAL NO.	9 5 9 5 5 0 5 S 0 H	REMARKS
1	H134535	LABEL	1		X X	INSTRUCTION (EMERGENCY EXIT)
2	H137823	PANEL	1		X X	INSTRUCTION (FEEDERHOUSE REVERSER)
3	H169447	LABEL	1		X	STYLING
4	H137201	DECAL	1		X X	IMPORTANT (COOLING PACKAGE CLEANOUT)
5	H136583	LABEL	1		X	FRENCH, "CLEAN FILTER"
6	H170211	SIGN	2		X X	INSTRUCTION (HOSE ADJUSTMENT)
7	H149480	LABEL	1		X X	LEAPING DEER
8	JD5592	DECAL	1		X X	LEAPING DEER

CAUTION

To prevent the risk of injury, as well as possible damage to the accumulator or hydraulic system, maintain recommended nitrogen gas pressure. See Operator's Manual for additional information.

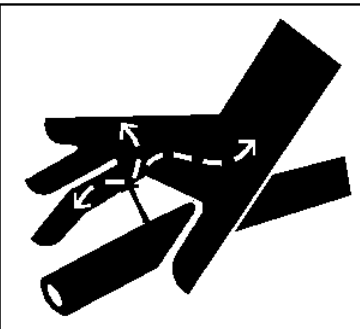
Charge only with dry nitrogen.
Rated working pressure is 21 500 kPa (3120 psi)

WARNING



Avoid crushing injuries.
Do not stand near track when combine is running.

WARNING



Avoid bodily injuries from hydraulic oil and gas under pressure.

Before removing, disassembling or changing accumulator :

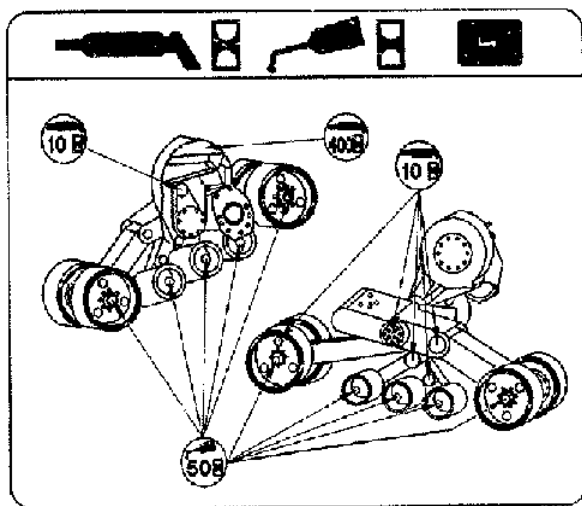
1. Release track belt tension by removing pressure with the reel lift hydraulics.
2. Stop engine.

Use only DRY NITROGEN for recharging accumulator.
See your John Deere dealer.

IMPORTANT

Do not exceed 965 kPa (140psi) air bag pressure.

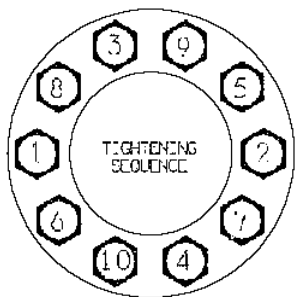
Check that air bag pressure is set to a minimum of 620 kPa (90 psi) before operating machine. See Operators Manual for proper operating pressure.



IMPORTANT

Repeat the following procedure on front 20 mm wheel bolts each time wheel is replaced:

1. Snug each wheel bolt.
2. Torque each wheel bolt to 200 Nm (150 lb.-ft.)
3. Turn each wheel bolt clockwise another 90°.



The diagram shows a circular arrangement of 10 wheel bolts. The bolts are numbered 1 through 10 in a clockwise sequence starting from the 9 o'clock position. The center of the circle contains the text 'TIGHTENING SEQUENCE'.

IMPORTANT

Torque all idler and bogey wheel bolts to 400 Nm (300 lb.-ft.)

Retorque after (1) hour of operation. See Operators Manual for bolt tightening sequence.

HP8704

4J16

DECALS

RUBBER TRACK SAFETY DECALS AND LABELS - CONTINUED

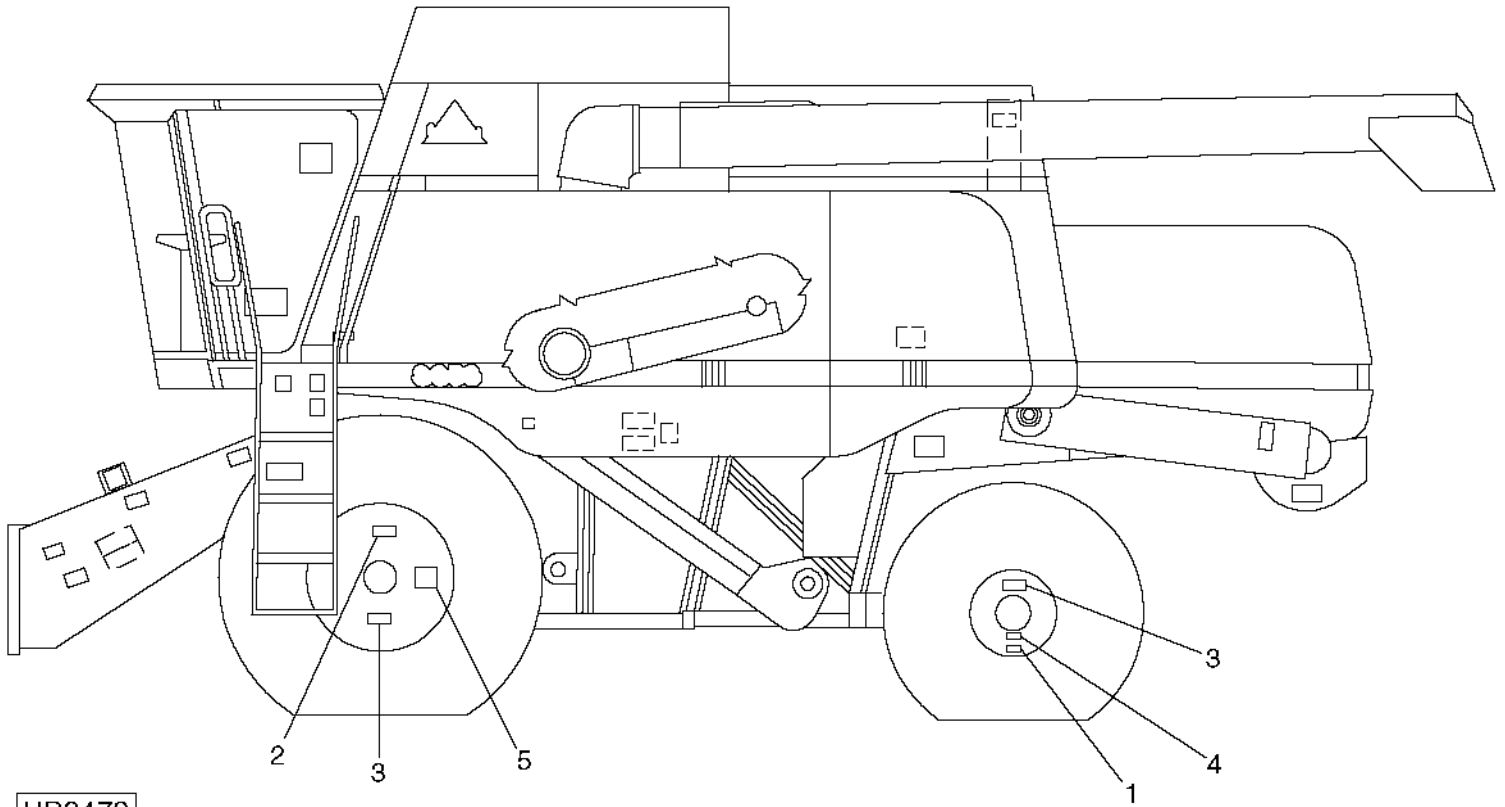
KEY	PART NO.	PART NAME	QTY	SERIAL NO.	9 5 5 0	REMARKS
1	H149092	LABEL	1		X	"CAUTION" - LOCATED ON ACCUMULATOR
2	H171360	DECAL	1		X	"WARNING" - LOCATED ON MAIN FRAME PIVOT
3	H171339	LABEL	1		X	"WARNING" - LOCATED ON ACCUMULATOR
4	H171383	LABEL	1		X	AIR BAG PRESSURE
5	H134442	LABEL	1		X	BOLT TORQUE (DRIVE WHEEL)
6	H170982	LABEL	2		X	BOLT TORQUE (IDLER AND BOGEY WHEELS)
7	H171325	LABEL	1		X	LUBE LABEL (LOCATED ON MAIN FRAME PIVOT)

4J17

DECALS

FRONT AND REAR TIRE/WHEEL DECALS

HP9472 -UN-06JAN00



HP9472

4J18

DECALS

FRONT AND REAR TIRE/WHEEL DECALS - CONTINUED

KEY	PART NO.	PART NAME	QTY	SERIAL NO.	9 5 9 5 5 0 5 S 0 H	REMARKS
1	H174266	LABEL	2		X	(SUB FOR H151575) TIRE CLEARANCE
	H153728	LABEL	2		X	AXLE STOP AND TIRE CLEARANCE
2	H134442	LABEL	2		X X	IMPORTANT (WHEEL BOLT TORQUE)
	H139603	LABEL	2		X	WHEEL BOLT TORQUE
3	H150646	DECAL	2		X	IMPORTANT (TIRE PRESSURE 15 PSI)
	H108604	LABEL	2		X X	IMPORTANT (TIRE PRESSURE 20 PSI)(REAR)
	H108605	LABEL	2		X	IMPORTANT (TIRE PRESSURE 24 PSI)(FRONT)
	H140709	LABEL	2		X X	IMPORTANT (TIRE PRESSURE 26 PSI)
	H116639	DECAL	2		X	IMPORTANT (TIRE PRESSURE 28 PSI)(FRONT)
	H111538	LABEL	2		X X	IMPORTANT (TIRE PRESSURE 30 PSI)(REAR)
	H116640	LABEL	2		X X	IMPORTANT (TIRE PRESSURE 32 PSI)(FRONT)
	H140711	LABEL	2		X X	IMPORTANT (TIRE PRESSURE 36 PSI)(REAR)
	H111541	LABEL	2		X X	IMPORTANT (TIRE PRESSURE 40 PSI)
4	H145995	LABEL	2		X X	IMPORTANT (WHEEL BOLT TORQUE)
5	H158975	DECAL	2		X	DUAL WHEELS
..	H141877	LABEL	2		X	WHEEL

4J19

DECALS

FRENCH CANADIAN DECALS AND LABELS

KEY	PART NO.	PART NAME	QTY	SERIAL NO.	REMARKS
					9
					5
					9 5
					5 0
					5 S
					0 H
..	H170105	LABEL	1	X	(SAFETY) PRESSURE COOLING SYSTEM
..	H173824	LABEL	1	X	BRAKE
..	E82575	LABEL	1	X	(CAUTION)
..	H134620	LABEL	1	X	EXIT
..	H173293	SAFETY SIGN	1	X	(SAFETY)
..	H149076	DECAL	2	X	(DANGER) GRAIN TANK
..	H149077	DECAL	4	X	(DANGER) HEADER
..	H149075	LABEL	2	X	(WARNING) FRONT ENTRY
..	H149074	LABEL	2	X	(WARNING) FRONT ENTRY
..	H149078	LABEL	1	X	(DANGER) AUGER
..	H149079	LABEL	1	X	(WARNING) ACCUMULATOR
..	H149089	SIGN	2	X	(WARNING) ROTARY SCREEN FAN
..	H149091	LABEL	1	X	(DANGER) POWER LINE
..	H149098	LABEL	1	X	(CAUTION) ACCUMULATOR
..	H149097	LABEL	3	X	(WARNING) PROJECTILE
..	H149100	LABEL	2	X	(WARNING)
..	H170117	LABEL	1	X	(CAUTION) FOLDING AUGER
..	H169283	LABEL	1	X	(CAUTION) SEAT BELT
..	H170115	LABEL	1	X	(CAUTION)
..	H173702	LABEL	1	X	(WARNING)
..	H114320	DECAL	1	X	(INSTRUCTION)
..	H140768	LABEL	2	X	TIRE PRESSURE (46 PSI)
..	H127073	LABEL	2	X	TIRE PRESSURE (40 PSI)
..	H140751	LABEL	2	X	TIRE PRESSURE (36 PSI)
..	H140750	LABEL	2	X	TIRE PRESSURE (34 PSI)
..	H127075	LABEL	2	X	TIRE PRESSURE (32 PSI)
..	H127070	LABEL	2	X	TIRE PRESSURE (30 PSI)
..	H127074	LABEL	2	X	TIRE PRESSURE (28 PSI)
..	H140749	LABEL	2	X	TIRE PRESSURE (26 PSI)
..	H127068	LABEL	2	X	TIRE PRESSURE (24 PSI)
..	H127067	LABEL	2	X	TIRE PRESSURE (20 PSI)
..	H135141	LABEL	4	X	WHEEL BOLT TORQUE
..	H145996	LABEL	2	X	REAR WHEEL BOLT TORQUE
..	H129094	LABEL	2	X	FEEDERHOUSE DRUM HEIGHT ADJUSTMENT
..	H129099	LABEL	1	X	DIAGNOSTIC LOCATIONS
..	H173849	LABEL	1	X	HYDRAULIC DIAGNOSTICS
..	H127078	LABEL	1	X	HYDRAULIC RESERVIOR
..	H174086	LABEL	1	X	ACCUMULATOR ADJUSTMENT
..	H173336	LABEL	1	X	TIRE LOADING
..	H160795	LABEL	1	X	FEEDERHOUSE CHAIN ADJUSTMENT
..	H137940	LABEL	1	X	HARNESS AND HOSE STORAGE
..	H136583	LABEL	2	X	RECIRCULATING FILTER TRAY
..	H135167	LABEL	1	X	FILTER DOOR
..	H137364	DECAL	1	X	COOLING PACKAGE CLEANOUT
..	H95273	DECAL	1	X	(INSTRUCTION)
..	H174077	LABEL	1	X	CLEANING SHOE
..	H149103	DECAL	3	X	(WARNING) CHOPPER POSITION
..	H173850	LABEL	2	X	CHOPPER POSITION
..	H169230	LABEL	4	X	(DANGER) IMPELLERS
..	H173885	LABEL	2	X	(CAUTION) DUAL WHEELS
..	H173908	LABEL	4	X	(CAUTION) HEADER TILT
..	H161111	GRAPHICS PANEL	1	X	GRAPHICS PANEL
..	H173914	LABEL	1	X	FEEDERHOUSE LUBE CHART
..	AH167852	KIT	1	X	FRENCH CANADIAN

4J20

DECALS

PORTUGESE DECALS AND LABELS

KEY	PART NO.	PART NAME	QTY	SERIAL NO.	0 H	REMARKS
..	H152240	MEDALLION	1	X	9	RADIATOR
..	H165170	LABEL	1	X	5	(CAUTION)
..	H152238	MEDALLION	1	X	9	CYLINDER SPRING
..	H161209	LABEL	1	X	5	EXIT
..	H151671	LABEL	4	X	0	REEL LIFT
..	H152243	MEDALLION	1	X	5	HYDRAULIC
..	H161208	LABEL	1	X	S	(CAUTION) BRAKES
..	H152239	MEDALLION	1	X	5	ELECTRIC SHOCK
..	H165174	LABEL	1	X	0	(CAUTION) ACCUMULATOR
..	H154128	LABEL	5	X	H	LATERAL TILT
..	H165175	LABEL	1	X		(CAUTION) SEAT BELT
..	H173574	LABEL	1	X		(CAUTION)
..	H174284	LABEL	1	X		(WARNING)
..	H165176	DECAL	1	X		(INSTRUCTION) TWO-SPEED GEARBOX
..	H165177	LABEL	1	X		CLEAN GRAIN ELEVATOR BELT
..	H165178	LABEL	1	X		WALKER, SHOE, AND AUGER DRIVE
..	H165179	LABEL	1	X		ROTARY SCREEN DRIVE
..	H165180	LABEL	4	X		TIRE PRESSURE (26 PSI)
..	H170800	LABEL	2	X		TIRE PRESSURE (24 PSI)
..	H170799	LABEL	4	X		TIRE PRESSURE (15 PSI)
..	H165181	LABEL	4	X		WHEEL BOLT TORQUE
..	H165182	LABEL	2	X		REAR WHEEL BOLT TORQUE
..	H165183	LABEL	2	X		FEEDERHOUSE DRUM ADJUSTMENT
..	H165184	LABEL	1	X		DIAGNOSTIC PORTS
..	H173597	LABEL	1	X		HYDRAULIC DIAGNOSTICS
..	H165186	LABEL	1	X		HYDRAULIC RESERVIOR
..	H165188	LABEL	1	X		ACCUMULATOR
..	H173337	LABEL	1	X		TIRE LOADING
..	H165190	LABEL	1	X		FEEDERHOUSE ADJUSTMENT
..	H165191	LABEL	1	X		HARNES AND HOSE STORAGE
..	H165285	LABEL	2	X		LUBE
..	H165192	LABEL	2	X		RECIRCULATING FILTER TRAY
..	H165193	LABEL	1	X		FILTER DOOR
..	H165570	LABEL	1	X		CLOSE DOOR FILTER
..	H165571	LABEL	1	X		PRECLEANER FILTER CHECK
..	H165197	SIGN	2	X		BEATER GRATE CURTAIN
..	H173577	LABEL	1	X		CLEANING SHOE
..	H173633	LABEL	2	X		CHOPPER POSITION
..	H165284	DECAL	1	X		STARTING AID
..	H165199	DECAL	1	X		COOLING PACKAGE CLEANOUT
..	Z60327	LABEL	2	X		GRAIN TANK ENTANGLEMENT
..	L64995	LABEL	3	X		LANDING LADDER
..	Z60326	LABEL	2	X		BELT ENTANGLEMENT
..	Z59868	LABEL	3	X		DISENGAGE POWER
..	Z60329	LABEL	3	X		STRAW CHOPPER DISCHARGE

4J21

DECALS

ROMANIAN DECALS AND LABELS

KEY	PART NO.	PART NAME	QTY	SERIAL NO.	REMARKS
..	H161206	BRACKET	1	X	(CAUTION) BRAKES
..	H161209	LABEL	1	X	EXIT
..	H171079	SIGN	1	X	(CAUTION) SEAT BELT
..	H151671	LABEL	4	X	REEL LIFT
..	H152238	MEDALLION	1	X	CYLINDER SPRING
..	H152239	MEDALLION	1	X	ELECTRIC SHOCK
..	H152240	MEDALLION	1	X	RADIATOR
..	H152243	MEDALLION	1	X	HYDRAULIC
..	H154128	LABEL	1	X	LATERAL TILT
..	H154999	LABEL	1	X	R.H. LUBE CHART
..	H155000	LABEL	1	X	R.H. LUBE CHART
..	H158840	LABEL	1	X	FEEDERHOUSE VARIABLE SPEED DRIVE
..	H166949	LABEL	1	X	LIGHT SWITCH
..	H167691	LABEL	1	X	ENGINE LIGHT
..	H169349	DECAL	1	X	L.H. LUBE CHART
..	H171081	SIGN	1	X	(WARNING) ACCUMULATOR
..	H171082	LABEL	1	X	(CAUTION)
..	H174284	LABEL	1	X	(WARNING)
..	Z60332	LABEL	7	X	HAND ENTANGLEMENT

9
5
9 5
5 0
5 S
0 H

RUSSIAN DECALS AND LABELS

KEY	PART NO.	PART NAME	QTY	SERIAL NO.	0 H	REMARKS
..	H157916	SIGN	1	X		(CAUTION) SEAT BELT
..	H158044	LABEL	1	X		FILTER DOOR
..	H158046	DECAL	1	X		FILTER SERVICE
..	H158048	LABEL	2	X		RECIRCULATING FILTER TRAY
..	H158053	LABEL	1	X		FILTER DOOR
..	H161208	LABEL	1	X		(CAUTION) BRAKES
..	H161209	LABEL	1	X		EXIT
..	H137823	PANEL	1	X		FEEDERHOUSE REVERSER
..	H151671	LABEL	4	X		REEL LIFT
..	H152238	MEDALLION	1	X		CYLINDER SPRING
..	H152239	MEDALLION	1	X		ELECTRIC SHOCK
..	H152240	MEDALLION	1	X		RADIATOR
..	H152243	MEDALLION	1	X		HYDRAULIC
..	H154128	LABEL	5	X		LATERAL TILT
..	H157293	LABEL	1	X		DIAGNOSTIC LOCATION
..	H157313	LABEL	1	X		(CAUTION)
..	H157319	SIGN	2	X		BEATER GRATE CURTAIN
..	H157321	LABEL	2	X		TIRE PRESSURE (26 PSI)
..	H157323	LABEL	2	X		REAR WHEEL BOLT TORQUE
..	H157327	LABEL	1	X		ROTARY SCREEN DRIVE
..	H157329	LABEL	1	X		WALKER, SHOE, AND AUGER DRIVE
..	H157331	LABEL	1	X		CLEAN GRAIN ELEVATOR BELT
..	H157333	DECAL	1	X		COOLING PACKAGE CLEANOUT
..	H157335	LABEL	1	X		HARNESS AND HOSE STORAGE
..	H157341	LABEL	4	X		WHEEL BOLT TORQUE
..	H157345	LABEL	2	X		FEEDERHOUSE DRUM HIEGHT ADJUSTMENT
..	H157349	LABEL	1	X		HYDRAULIC RESERVIOR
..	H157351	DECAL	1	X		(INSTRUCTION) TWO-SPEED GEARBOX
..	H157985	SIGN	1	X		(WARNING) ACCUMULATOR
..	H158011	DECAL	1	X		(INSTRUCTION)
..	H158840	LABEL	1	X		FEEDERHOUSE VARIABLE SPEED DRIVE
..	H160269	LABEL	4	X		TIRE PRESSURE (32 PSI)
..	H160270	LABEL	2	X		TIRE PRESSURE (20 PSI)
..	H160448	LABEL	2	X		TIRE CLEARANCE
..	H160797	LABEL	1	X		FEEDERHOUSE CHAIN ADJUSTMENT
..	H166949	LABEL	1	X		LIGHT SWITCH
..	H167446	INSTRUCTION PLATE	2	X		LATERAL TILT FEEDERHOUSE LUBE
..	H167691	LABEL	1	X		ENGINE LIGHT
..	H169349	DECAL	1	X		L.H. LUBE CHART
..	H173334	LABEL	1	X		TIRE LOADING
..	H174284	LABEL	1	X		(WARNING)
..	Z60332	LABEL	7	X		HAND ENTANGLEMENT

SPANISH DECALS AND LABELS

KEY	PART NO.	PART NAME	QTY	SERIAL NO.	0 H	REMARKS
..	H173075	LABEL	1	X		(CAUTION) BRAKES
..	H156224	LABEL	1	X		EXIT
..	H156226	SIGN	1	X		(DANGER) POWER LINE
..	H159348	SIGN	1	X		(CAUTION) SEAT BELT
..	H173072	LABEL	4	X		WHEEL BOLT TORQUE
..	H173071	LABEL	2	X		REAR WHEEL BOLT TORQUE
..	H173088	DECAL	2	X		FEEDERHOUSE DRUM HIEGHT ADJUSTMENT
..	H173102	LABEL	2	X		TIRE CLEARANCE
..	H173103	LABEL	2	X		AXLE STOP AND TIRE CLEARANCE
..	H159349	SIGN	2	X		DUAL WHEELS
..	H156223	SIGN	4	X		
..	H173087	LABEL	2	X		LATERAL TILT FEEDERHOUSE
..	H173090	LABEL	1	X		HARNESS AND HOSE STORAGE
..	H173106	SERIAL NUMBER PLATE	1	X		LADDER TRANSPORT POSITION
..	H159347	SIGN	4	X		(CAUTION) HEADER TILT
..	H173101	LABEL	1	X		TIRE LOADING
..	H156231	LABEL	1	X		(CAUTION)
..	H173096	DECAL	1	X		FILTER SERVICE
..	H173083	DECAL	1	X		HYDRAULIC DIAGNOSTICS
..	H173079	DECAL	1	X		CLEANING SHOE SETTINGS
..	H156230	SIGN	2	X		(WARNING)
..	H156229	SIGN	1	X		(WARNING) ACCUMULATOR
..	H173093	DECAL	1	X		ACCUMULATOR ADJUSTMENT
..	H173082	LABEL	1	X		DIAGNOSTIC PORTS
..	H173081	LABEL	1	X		HYDRAULIC RESERVIOR
..	H156228	SIGN	1	X		(WARNING) ACCUMULATOR
..	H156222	SIGN	1	X		(DANGER) AUGER
..	H156234	SIGN	2	X		FAN AND ROTARY SCREEN
..	H173084	DECAL	1	X		(INSTRUCTION)
..	H173099	DECAL	1	X		COOLING PACKAGE CLEANOUT
..	H170116	SAFETY SIGN	1	X		(CAUTION)
..	H173104	DECAL	1	X		POWER HOSE ADJUSTMENT
..	H156232	SIGN	2	X		(WARNING) LADDER
..	H156225	SIGN	2	X		(DANGER) GRAIN TANK
..	H170118	SIGN	1	X		(CAUTION) FOLDING AUGER
..	H156221	SIGN	3	X		(WARNING) PROJECTILE
..	H170106	DECAL	1	X		(SAFETY) PRESSURE COOLING SYSTEM
..	H173089	LABEL	1	X		CHOPPER BELT STORAGE
..	H156227	SIGN	1	X		(WARNING) FRONT ENTRY
..	H173085	LABEL	2	X		CHOPPER POSITION
..	H173098	DECAL	1	X		(INSTRUCTION)
..	H159343	SIGN	4	X		(WARNING) CHOPPER POSITION
..	H169231	SIGN	4	X		(DANGER) IMPELLERS
..	H173077	SIGN	2	X		BEATER GRATE CURTAIN
..	AH167573	KIT	1	X		SPANISH DECALS
..	H174357	LABEL	2	X		AXLE STOP
..	H173094	LABEL	1	X		FEEDERHOUSE ADJUSTMENT
..	H173095	LABEL	1	X		FEEDERHOUSE ADJUSTMENT
..	H173097	LABEL	1	X		FEEDERHOUSE LUBE
..	H173294	SAFETY SIGN	1	X		WARNING

4J24

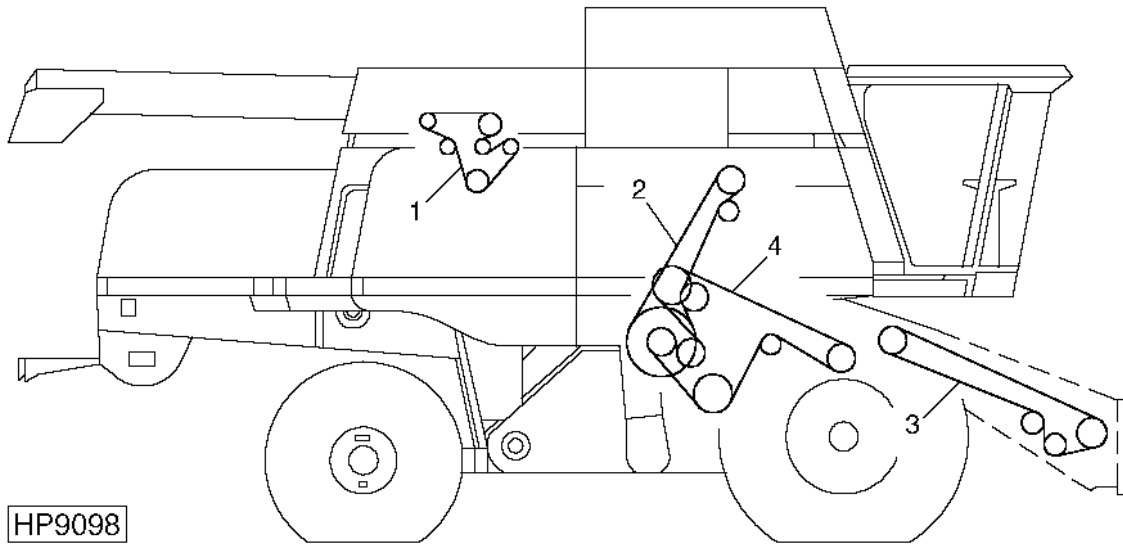
DECALS

UKRAINIAN DECALS AND LABELS

KEY	PART NO.	PART NAME	QTY	SERIAL NO.	0 H	REMARKS
..	H157915	SIGN	1	X	9	(CAUTION) SEAT BELT
..	H158043	LABEL	1	X	5	FILTER DOOR
..	H158045	DECAL	1	X	9	FILTER SERVICE
..	H158047	LABEL	2	X	5	RECIRCULATING FILTER TRAY
..	H158052	LABEL	1	X	0	FILTER DOOR
..	H161208	LABEL	1	X	5	(CAUTION) BRAKES
..	H161209	LABEL	1	X	S	EXIT
..	H137823	PANEL	1	X	H	FEEDERHOUSE REVERSER
..	H151318	SIGN	2	X		BEATER GRATE CURTAIN
..	H151671	LABEL	4	X		REEL LIFT
..	H152238	MEDALLION	1	X		CYLINDER SPRING
..	H152239	MEDALLION	1	X		ELECTRIC SHOCK
..	H152240	MEDALLION	1	X		RADIATOR
..	H152243	MEDALLION	1	X		HYDRAULIC
..	H154128	LABEL	5	X		LATERAL TILT
..	H154999	LABEL	1	X		R.H. LUBE CHART
..	H155000	LABEL	1	X		R.H. LUBE CHART
..	H157292	LABEL	1	X		DIAGNOSTIC PORTS
..	H157312	LABEL	1	X		(CAUTION)
..	H157320	LABEL	4	X		TIRE PRESSURE
..	H157322	LABEL	2	X		REAR WHEEL BOLT TORQUE
..	H157326	LABEL	1	X		ROTARY SCREEN DRIVE
..	H157328	LABEL	1	X		WALKER, SHOE, AND AUGER DRIVE
..	H157330	LABEL	1	X		CLEAN GRAIN ELEVATOR BELT
..	H157332	DECAL	1	X		COOLING PACKAGE CLEANOUT
..	H157334	LABEL	1	X		HARNES AND HOSE STORAGE
..	H157340	LABEL	4	X		WHEEL BOLT TORQUE
..	H157344	LABEL	2	X		FEEDERHOUSE DRUM HIEGHT ADJUSTMENT
..	H157348	LABEL	1	X		HYDRAULIC RESERVIOR
..	H157350	DECAL	1	X		(INSTRUCTION)
..	H157984	SIGN	1	X		(WARNING) ACCUMULATOR
..	H158010	DECAL	1	X		(INSTRUCTION)
..	H158840	LABEL	1	X		FEEDERHOUSE VARIABLE SPEED DRIVE
..	H160796	LABEL	1	X		FEEDERHOUSE CHAIN ADJUSTMENT
..	H166949	LABEL	1	X		LIGHT SWITCH
..	H167447	INSTRUCTION PLATE	2	X		LATERAL TILT FEEDERHOUSE LUBE
..	H167691	LABEL	1	X		ENGINE LIGHT
..	H169349	DECAL	1	X		L.H. LUBE CHART
..	H173335	LABEL	1	X		TIRE LOADING
..	H174284	LABEL	1	X		(WARNING)
..	Z60332	LABEL	7	X		HAND ENTANGLEMENT

4K1

R.H. BELT ROUTINGS REFERENCE
HP9098 -UN-22SEP99



HP9098

4K2

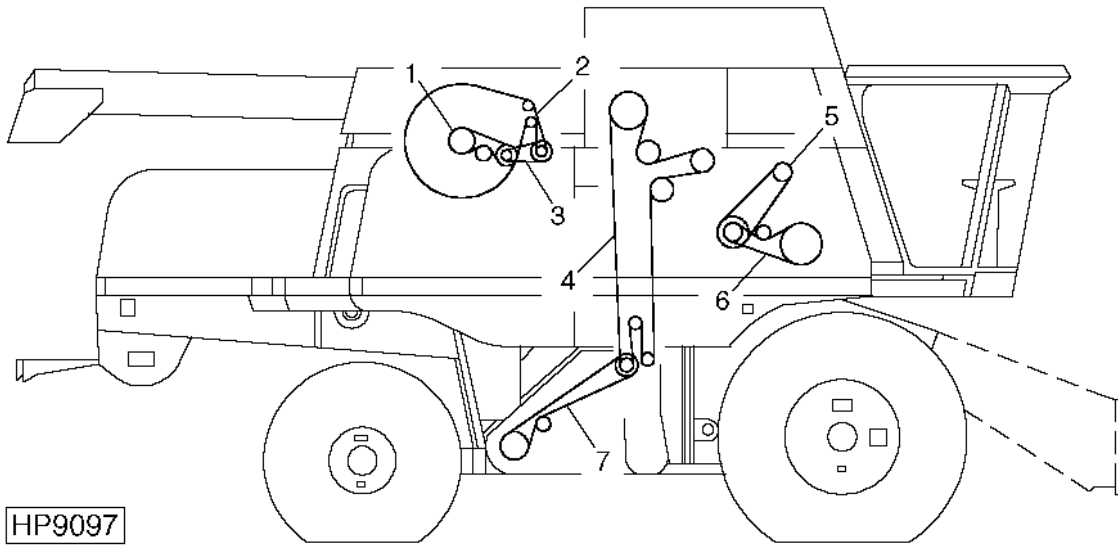
DECALS

R.H. BELT ROUTINGS REFERENCE - CONTINUED

KEY	PART NO.	PART NAME	QTY	SERIAL NO.	9 5 9 5 5 0 5 S 0 H	REMARKS
1	H163515	BELT	1		X X	ALTERNATOR (95 AMP)
	H166870	BELT	1		X X	ALTERNATOR (185 AMP)
2	H128010	BELT	1		X X	SECONDARY COUNTERSHAFT
3	AH118228	LINK CHAIN	1		X X	FEEDER CONVEYOR
4	H131169	BELT	1		X X	SHOE, WALKER, AND CONVEYOR AUGERS

4K3

R.H. BELT ROUTINGS REFERENCE
HP9097 -UN-22SEP99



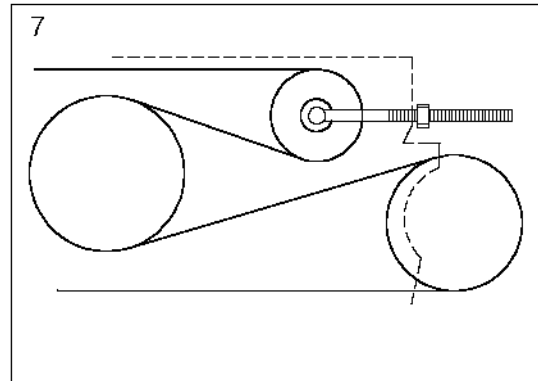
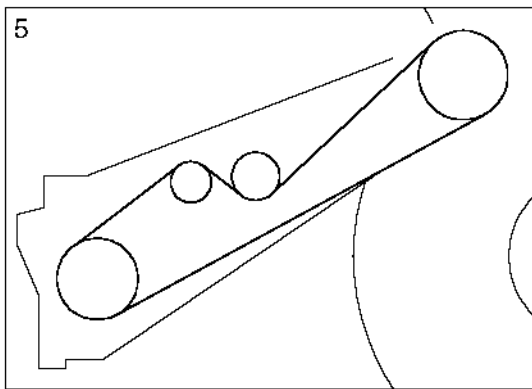
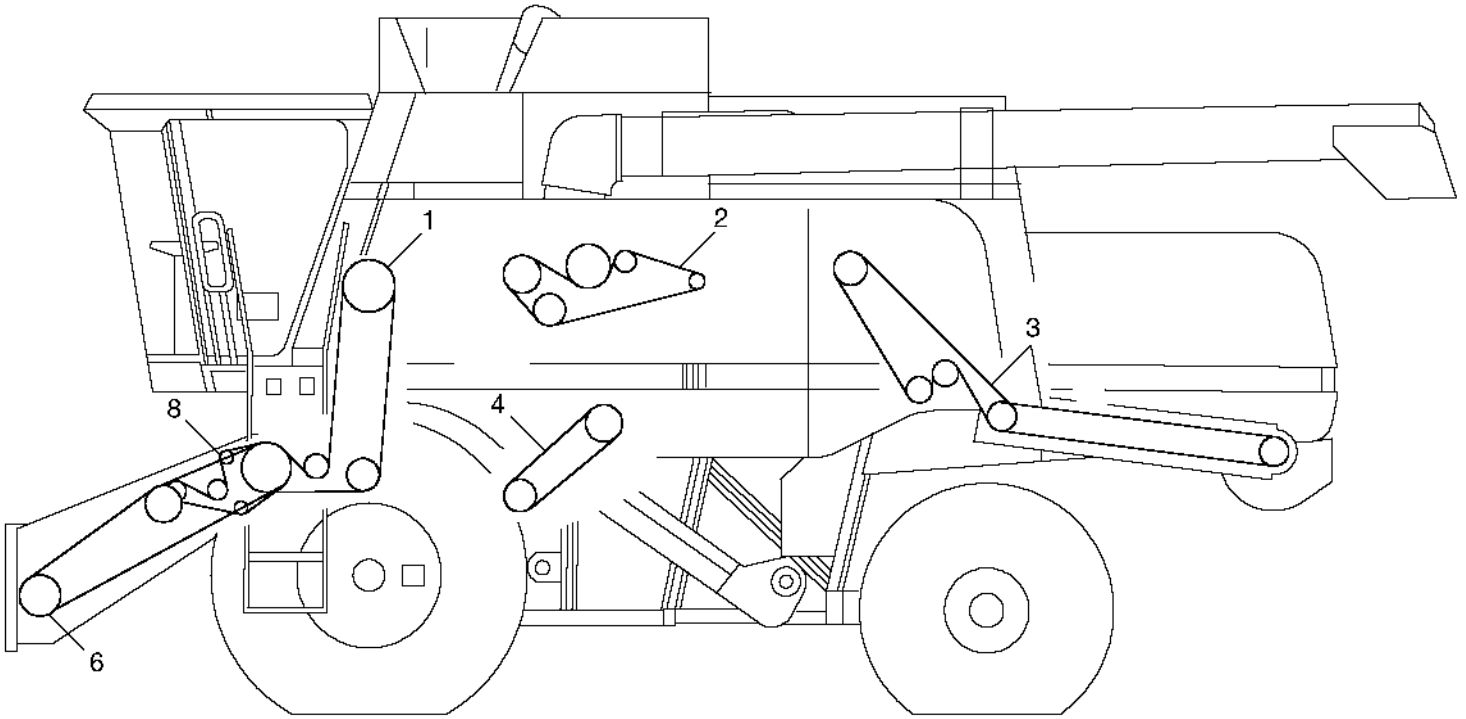
HP9097

R.H. BELT ROUTINGS REFERENCE - CONTINUED

KEY	PART NO.	PART NAME	QTY	SERIAL NO.	9 5 9 5 5 0 5 S 0 H	REMARKS
1	H160405	BELT	1		X X	COOLING FAN
2	H145158	BELT	1		X X	ROTARY SCREEN
3	H160406	BELT	1		X X	ROTARY SCREEN DRIVE
4	H141166	BELT	1		X X	CLEAN GRAIN ELEVATOR
5	H162629	BELT	1		X X	CYLINDER INTERMEDIATE DRIVE
6	H115881	BELT	1		X X	CYLINDER DRIVE (240 - 960 RPM)
	H118618	BELT	1		X X	CYLINDER DRIVE (150 - 500 RPM)
7	N110085	BELT	1		X X	LOWER TAILINGS AUGER AND ELEVATOR
..	H163515	BELT	1		X X	AIR CONDITIONING COMPRESSOR

4K5

L.H. BELT ROUTINGS REFERENCE
HP9100 -UN-24SEP99



HP9100

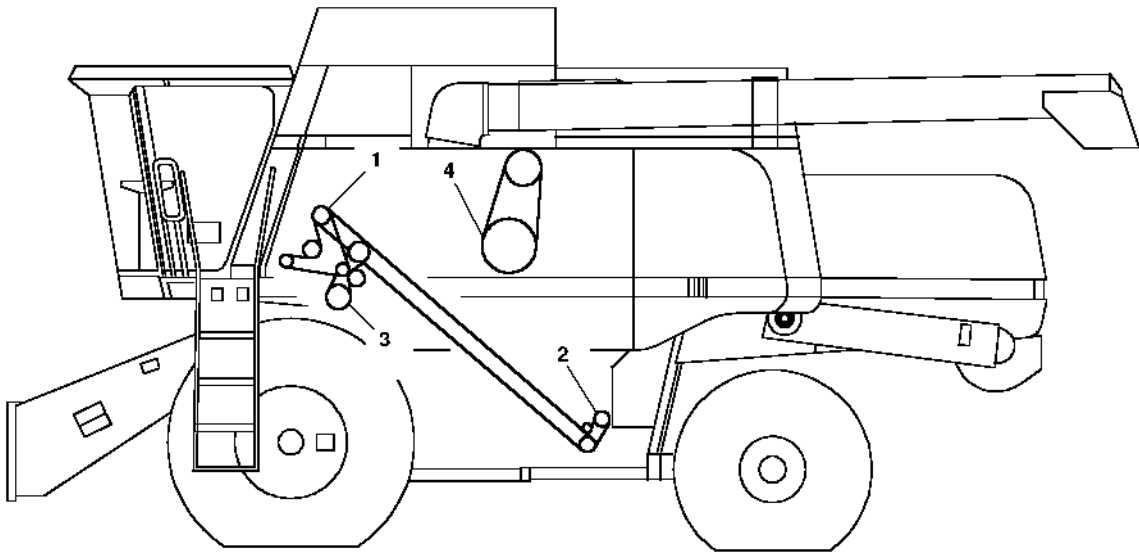
4K6

L.H. BELT ROUTINGS REFERENCE - CONTINUED

KEY	PART NO.	PART NAME	QTY	SERIAL NO.	0 H	REMARKS
					9	
					5	
					9 5	
					5 0	
					5 S	
					0 H	
1	H151952	BELT	1		X X	HEADER AND REEL PUMP(STANDARD CAPACITY)
	H155998	BELT	1		X	HEADER AND REEL PUMP(HIGH CAPACITY)
2	AH157085	CHAIN LINK	1		X X	UNLOADING AUGERS
3	H157727	BELT	1		X X	STRAW CHOPPER (FINE CUT)
	H160654	BELT	1		X X	STRAW CHOPPER (STANDARD)
	H23950	BELT	1		X X	STRAW CHOPPER (STANDARD BALING)
4	H152146	BELT	1		X X	CLEANING FAN (750 - 1350 RPM)
	H152180	BELT	1		X X	CLEANING FAN (490 - 980 RPM)
5	H126345	BELT	1		X X	FIXED SPEED FEEDERHOUSE W/REVERSER
6	H161648	BELT	1		X X	VARIABLE SPEED FEEDERHOUSE (STANDARD CAPACITY)
	H156863	BELT	1		X	VARIABLE SPEED FEEDERHOUSE (HI CAPACITY)
7	H128234	BELT	1		X X	STRAW SPREADER
8	H171386	BELT	1		X	AIR FLOW DRIVE

4K7

L.H. BELT ROUTINGS REFERENCE
HP9099 -UN-22SEP99



HP9099

4K8

DECALS

L.H. BELT ROUTINGS REFERENCE - CONTINUED

KEY	PART NO.	PART NAME	QTY	SERIAL NO.	9 5 9 5 5 0 5 S 0 H	REMARKS
1	AH131074	LINK CHAIN	1		X X	UPPER TAILINGS AUGER
2	AH126239	ROLLER CHAIN	1		X X	LOWER TAILINGS AUGER
3	AH139436	BELT SET	1		X X	BEATER
4	AH158880	BELT SET	1		X X	UNLOADING SYSTEM

MEMORANDA

1K16

9550 AND 9550SH SELF-PROPELLED COMBINE

NUMERICAL INDEX

PART NO.	GRID	KEY	PAGE	PART NO.	GRID	KEY	PAGE	PART NO.	GRID	KEY	PAGE
AA27536	3C2	1	90 - 27	AH113392	4G14	10	150 - 25	AH122507	4F17	8	150 - 3
AA27536	3C6	23	90 - 31	AH113671	4D2	22	135 - 17	AH122575	2B17	8	50 - 13
AA45032	1H24	9	40 - 78	AH113671	4D2	49	135 - 17	AH122717	4G18	7	150 - 29
AA45032	1H25	8	40 - 79	AH114359	3H14	14	110 - 27	AH122863	4E16	16	140 - 37
AA45032	1I1	4	40 - 80	AH115639	1B5	29	20 - 3	AH122863	4E18	36	140 - 39
AA5607R	1B5	47	20 - 3	AH115833	3D6	1	95 - 6	AH123016	1I2	4	40 - 81
AA5607R	1B15	15	20 - 13	AH115836	3D5	17	95 - 5	AH123602	4G11	9	150 - 22
AA5607R	3E8	3	100 - 17	AH115943	1G21	4	40 - 49	AH123902	1G14	2	40 - 41
AA5607R	3G2	43	100 - 61	AH116006	4G25	9	150 - 37	AH123904	1G14	35	40 - 41
AA5607R	3J18	11	125 - 27	AH116104	1H10	12	40 - 63	AH123905	1G14	24	40 - 41
AA5607R	4E8	12	140 - 29	AH116104	2B24	25	50 - 21	AH123908	1G14	17	40 - 41
AA5607R	4E14	14	140 - 35	AH116104	2C2	26	50 - 23	AH123910	1G14	27	40 - 41
AA5607R	4E20	10	140 - 41	AH116104	4B16	17	130 - 13	AH123911	1G14	29	40 - 41
AA5607R	4F4	22	140 - 49	AH116232	3F2	30	100 - 35	AH123912	4G8	4	150 - 19
AA5607R	4F6	19	140 - 51	AH116390	4H3	3	150 - 40	AH124008	2D10	9	50 - 61
AA5607R	4F13	12	140 - 59	AH116632	2H14	18	70 - 55	AH124008	2D12	8	50 - 63
AB18206	2G21	3	70 - 37	AH116902	1G6	20	40 - 33	AH124050	4E22	3	140 - 43
AB4462R	4I12	25	160 - 19	AH116902	3C6	40	90 - 31	AH124635	4B8	5	130 - 5
AC11779	3J14	10	125 - 23	AH117301	1G19	13	40 - 46	AH124731	2F24	26	70 - 15
AE22622	4F4	19	140 - 49	AH117301	4D18	16	140 - 11	AH124731	2G2	25	70 - 17
AE23516	3G10	4	100 - 69	AH117301	4F19	46	150 - 5	AH124731	2G4	24	70 - 19
AE23791	3C8	18	90 - 33	AH117418	2D22	15	50 - 73	AH124731	2G11	3	70 - 27
AE26118	3H20	3	120 - 5	AH117566	2F1	5	60 - 26	AH124826	4E14	2	140 - 35
AE27909	3F12	2	100 - 45	AH117643	4D14	29	140 - 7	AH124828	4E14	16	140 - 35
AE27909	3F14	11	100 - 47	AH117662	2B14	4	50 - 10	AH124832	2H14	21	70 - 55
AE27909	3F16	13	100 - 49	AH118228	3F14	6	100 - 47	AH124852	4G2	3	150 - 13
AE38021	2G9	37	70 - 25	AH118228	4K2	3	170 - 29	AH124878	4G2	2	150 - 13
AE38448	4E10	21	140 - 31	AH118993	4H2	8	150 - 39	AH124882	3C14	32	90 - 39
AE38734	2G9	16	70 - 25	AH119669	3E24	5	100 - 33	AH125036	1H19	9	40 - 73
AE42998	3J4	6	125 - 13	AH119770	4F6	32	140 - 51	AH125070	4G22	15	150 - 33
AE44392	1F21	64	40 - 21	AH120160	4G25	7	150 - 37	AH125070	4G22	16	150 - 33
AE46699	3F18	26	100 - 51	AH120216	2J17	7	80 - 37	AH125080	4F25	21	150 - 11
AE50995	2G9	35	70 - 25	AH120419	3D6	4	95 - 6	AH125193	4D25	40	140 - 19
AF1466R	4E3	46	140 - 23	AH120446	3D6	5	95 - 6	AH125228	2B20	16	50 - 17
AH101202	2F1	22	60 - 26	AH120541	3B12	20	90 - 11	AH125228	3D25	1	100 - 8
AH104259	3B14	12	90 - 13	AH120547	3D10	9	95 - 10	AH125233	2C9	7	50 - 31
AH105040	3E2	23	100 - 11	AH120736	2C9	11	50 - 31	AH125454	3G6	3	100 - 65
AH106010	3B10	11	90 - 9	AH120736	2C11	7	50 - 33	AH125490	4D16	32	140 - 9
AH106110	4E10	7	140 - 31	AH120737	4D16	15	140 - 9	AH125533	2J13	13	80 - 33
AH106606	4G20	11	150 - 31	AH120815	1B15	5	20 - 13	AH125644	2I18	8	80 - 13
AH106933	2C13	17	50 - 35	AH120872	2E25	16	60 - 25	AH125644	4F17	6	150 - 3
AH106982	1E19	17	30 - 15	AH120876	2E25	17	60 - 25	AH125658	2F1	23	60 - 26
AH108080	2G21	2	70 - 37	AH120891	3B10	6	90 - 9	AH125672	1G16	10	40 - 43
AH108080	4I20	18	160 - 27	AH120907	4E10	10	140 - 31	AH125673	1B15	6	20 - 13
AH108161	3D20	17	100 - 3	AH121007	4E8	20	140 - 29	AH125690	4D20	7	140 - 13
AH108299	4F19	29	150 - 5	AH121009	3G22	10	110 - 11	AH125733	2H19	2	70 - 60
AH108380	2G21	10	70 - 37	AH121009	3G24	9	110 - 13	AH125760	2C18	22	50 - 40
AH108380	3C14	4	90 - 39	AH121009	3H8	21	110 - 21	AH125760	2C22	10	50 - 45
AH108801	4E3	5	140 - 23	AH121009	4E1	10	140 - 20	AH125760	2F17	21	70 - 7
AH108813	4E8	5	140 - 29	AH121046	4F10	7	140 - 55	AH125760	2F24	2	70 - 15
AH108816	3C6	2	90 - 31	AH121047	3J16	31	125 - 25	AH125760	2G2	2	70 - 17
AH10888	1B5	16	20 - 3	AH121190	3C2	7	90 - 27	AH125760	2G4	2	70 - 19
AH109056	4E3	43	140 - 23	AH121340	3C6	29	90 - 31	AH125760	2G5	29	70 - 20
AH109788	1B7	9	20 - 5	AH121475	1G19	3	40 - 46	AH125760	2H4	18	70 - 45
AH109788	3F16	6	100 - 49	AH121580	2B20	18	50 - 17	AH125760	4D12	11	140 - 5
AH110887	4E3	31	140 - 23	AH121605	2G15	4	70 - 31	AH125793	2J13	12	80 - 33
AH111970	4E16	26	140 - 37	AH121643	3F19	6	100 - 52	AH125814	4F19	41	150 - 5
AH111971	4E16	32	140 - 37	AH121658	4D23	13	140 - 16	AH125895	4F10	9	140 - 55
AH112189	1G23	2	40 - 51	AH122099	3C21	13	90 - 47	AH125910	2G6	18	70 - 21
AH112284	2B5	1	50 - 1	AH122100	2B14	4	50 - 10	AH125910	2G7	5	70 - 22
AH112284	2C11	13	50 - 33	AH122240	4D20	1	140 - 13	AH125910	2G15	24	70 - 31
AH112401	2C9	2	50 - 31	AH122244	1E21	10	30 - 17	AH125958	3C10	17	90 - 35
AH112402	2C9	2	50 - 31	AH122264	4F23	21	150 - 9	AH125969	3I8	9	120 - 17
AH112435	4G18	3	150 - 29	AH122265	4F23	5	150 - 9	AH125969	3I14	12	120 - 23
AH112883	4E3	16	140 - 23	AH122451	4E8	14	140 - 29	AH125970	3I8	9	120 - 17
AH112931	4I20	17	160 - 27	AH122495	3G8	27	100 - 67	AH125970	3I14	12	120 - 23
AH113139	4E6	11	140 - 27	AH122506	3I20	26	125 - 5	AH125975	3I2	14	120 - 11

NUMERICAL INDEX - CONTINUED

PART NO.	GRID	KEY	PAGE	PART NO.	GRID	KEY	PAGE	PART NO.	GRID	KEY	PAGE
AH125975	3I8	16	120 - 17	AH128267	2B18	9	50 - 14	AH129420	4E18	4	140 - 39
AH126007	3J20	2	125 - 29	AH128313	3H20	31	120 - 5	AH129420	4E22	11	140 - 43
AH126007	4F10	20	140 - 55	AH128328	1I3	6	40 - 82	AH129451	3H18	39	120 - 3
AH126008	3J20	1	125 - 29	AH128328	1I5	2	40 - 84	AH129451	4E18	44	140 - 39
AH126091	3F8	11	100 - 41	AH128356	3C10	19	90 - 35	AH129452	3H18	41	120 - 3
AH126094	4E18	35	140 - 39	AH128357	3C10	19	90 - 35	AH129452	4E18	46	140 - 39
AH126122	2F15	17	70 - 5	AH128359	4B8	5	130 - 5	AH130113	2G15	13	70 - 31
AH126169	2D23	7	50 - 74	AH128360	3H8	7	110 - 21	AH130119	2E25	9	60 - 25
AH126169	2H25	3	70 - 67	AH128361	3H8	9	110 - 21	AH130127	1E19	25	30 - 15
AH126188	4E18	24	140 - 39	AH128384	4E24	1	140 - 45	AH130193	2J9	15	80 - 29
AH126191	3H18	1	120 - 3	AH128391	2C3	1	50 - 24	AH130202	3G16	14	110 - 5
AH126214	3H20	34	120 - 5	AH128391	2C9	32	50 - 31	AH130202	3G18	13	110 - 7
AH126239	3J16	32	125 - 25	AH128391	2C11	21	50 - 33	AH130209	2H8	15	70 - 49
AH126239	4K8	2	170 - 35	AH128449	2C18	24	50 - 40	AH130222	2I8	31	80 - 3
AH126240	2F13	18	70 - 3	AH128449	2H19	1	70 - 60	AH130230	1E23	2	30 - 19
AH126242	2F13	21	70 - 3	AH128449	4D10	11	140 - 3	AH130230	2B8	14	50 - 4
AH126254	2E17	4	60 - 17	AH128450	4D10	10	140 - 3	AH130412	2E7	19	60 - 7
AH126254	2F15	23	70 - 5	AH128451	4D10	5	140 - 3	AH130413	2E7	20	60 - 7
AH126272	1G16	3	40 - 43	AH128452	3C8	12	90 - 33	AH130424	3H18	9	120 - 3
AH126275	4F19	35	150 - 5	AH128528	2B20	1	50 - 17	AH130425	3H18	9	120 - 3
AH126279	4F19	6	150 - 5	AH128528	3D24	45	100 - 7	AH130429	3C4	47	90 - 29
AH126281	4G10	4	150 - 21	AH128584	2H2	8	70 - 43	AH130449	2D23	3	50 - 74
AH126282	4G10	10	150 - 21	AH128584	2H6	4	70 - 47	AH130465	3H2	22	110 - 15
AH126283	4G10	6	150 - 21	AH128585	3B16	13	90 - 15	AH130477	3H20	28	120 - 5
AH126284	4G10	11	150 - 21	AH128597	2I20	19	80 - 15	AH130486	3I4	15	120 - 13
AH126388	3J16	18	125 - 25	AH128610	3C19	12	90 - 44	AH130506	1E21	12	30 - 17
AH126389	2H6	9	70 - 47	AH128641	4G4	1	150 - 15	AH130560	2H14	14	70 - 55
AH126417	3E18	32	100 - 27	AH128642	4G4	11	150 - 15	AH130562	2H16	28	70 - 57
AH126417	3E20	6	100 - 29	AH128654	2D8	14	50 - 59	AH130570	3J14	9	125 - 23
AH126541	1G17	7	40 - 44	AH128654	4D12	37	140 - 5	AH130570	3J16	28	125 - 25
AH126564	2I24	8	80 - 19	AH128655	2D8	16	50 - 59	AH130571	3J14	3	125 - 23
AH126619	4F17	14	150 - 3	AH128655	4D12	50	140 - 5	AH130572	3J16	24	125 - 25
AH126657	2E19	14	60 - 19	AH128663	3J20	20	125 - 29	AH130581	4G4	5	150 - 15
AH126657	2E21	10	60 - 21	AH128664	3J20	24	125 - 29	AH130592	4F8	14	140 - 53
AH126657	2H8	6	70 - 49	AH128664	4F11	2	140 - 56	AH130594	3B5	10	90 - 3
AH126657	2H10	14	70 - 51	AH128672	2D8	30	50 - 59	AH130594	3C21	11	90 - 47
AH126657	2H12	13	70 - 53	AH128692	2D23	1	50 - 74	AH130602	1H19	7	40 - 73
AH126657	2H14	5	70 - 55	AH128727	2G7	1	70 - 22	AH130605	2E7	16	60 - 7
AH126657	2H16	8	70 - 57	AH128727	2G15	21	70 - 31	AH130611	2D20	7	50 - 71
AH126677	3J16	13	125 - 25	AH128753	4C24	24	135 - 15	AH130612	2E7	17	60 - 7
AH126719	3G22	13	110 - 11	AH128757	2D22	9	50 - 73	AH130613	2E7	18	60 - 7
AH126720	3G22	12	110 - 11	AH128779	2F21	12	70 - 11	AH130627	2B13	3	50 - 9
AH126811	3C2	31	90 - 27	AH128780	2F21	11	70 - 11	AH130884	3J12	40	125 - 21
AH126865	3J18	13	125 - 27	AH128841	2E13	30	60 - 13	AH130886	3J12	21	125 - 21
AH126871	3G24	..	110 - 13	AH128842	2E7	22	60 - 7	AH130890	2E25	8	60 - 25
AH126871	3H4	9	110 - 17	AH128842	2E13	30	60 - 13	AH130892	3J12	17	125 - 21
AH127383	3C8	14	90 - 33	AH128842	4I16	30	160 - 23	AH130893	3J12	17	125 - 21
AH127465	3H22	1	120 - 7	AH128843	2E7	23	60 - 7	AH130906	3H5	7	110 - 18
AH127465	3I4	3	120 - 13	AH128843	2E13	30	60 - 13	AH130949	2D8	15	50 - 59
AH127465	3I6	1	120 - 15	AH128843	4I16	30	160 - 23	AH130949	4D12	49	140 - 5
AH127466	3H22	1	120 - 7	AH128851	2F15	8	70 - 5	AH130964	4B25	41	130 - 23
AH127674	3B10	3	90 - 9	AH128854	4G4	13	150 - 15	AH130996	3I6	4	120 - 15
AH127684	3D9	19	95 - 9	AH128855	4G4	12	150 - 15	AH130996	3I6	18	120 - 15
AH127684	3D10	6	95 - 10	AH128859	2H6	22	70 - 47	AH131045	2E10	..	60 - 10
AH127685	3D9	4	95 - 9	AH128865	1H12	13	40 - 65	AH131047	2E10	7	60 - 10
AH127685	3D10	7	95 - 10	AH128865	4H13	5	155 - 9	AH131048	2E10	7	60 - 10
AH127829	3H4	26	110 - 17	AH128894	2D20	30	50 - 71	AH131051	2E13	12	60 - 13
AH127871	3H22	13	120 - 7	AH128909	3I14	3	120 - 23	AH131051	4I16	12	160 - 23
AH127963	3G24	..	110 - 13	AH128925	3D3	9	95 - 3	AH131054	2E13	19	60 - 13
AH127963	3H4	9	110 - 17	AH128929	2C18	33	50 - 40	AH131054	4I16	19	160 - 23
AH128037	4F19	9	150 - 5	AH128977	1E25	3	30 - 21	AH131055	2E13	19	60 - 13
AH128074	4H2	37	150 - 39	AH128986	1G19	10	40 - 46	AH131055	4I16	19	160 - 23
AH128075	4H2	37	150 - 39	AH129056	1E19	18	30 - 15	AH131058	2E13	7	60 - 13
AH128226	4D20	9	140 - 13	AH129236	3C4	39	90 - 29	AH131058	4I16	7	160 - 23
AH128241	4I20	13	160 - 27	AH129255	3C6	18	90 - 31	AH131059	2E13	7	60 - 13
AH128257	1B11	7	20 - 9	AH129278	2C17	43	50 - 39	AH131059	4I16	7	160 - 23
AH128257	1B13	5	20 - 11	AH129284	2C20	8	50 - 43	AH131074	3J14	10	125 - 23

NUMERICAL INDEX - CONTINUED

PART NO.	GRID	KEY	PAGE	PART NO.	GRID	KEY	PAGE	PART NO.	GRID	KEY	PAGE
AH131074	4K8	1	170 - 35	AH132783	3D6	2	95 - 6	AH135064	2F11	3	70 - 1
AH131166	4B25	19	130 - 23	AH132787	3I4	3	120 - 13	AH135077	4D25	10	140 - 19
AH131168	2C20	28	50 - 43	AH132819	3B14	2	90 - 13	AH135110	3E20	9	100 - 29
AH131169	2C15	9	50 - 37	AH132823	3H14	10	110 - 27	AH135124	3G8	18	100 - 67
AH131169	2C22	1	50 - 45	AH132832	2G21	4	70 - 37	AH135217	2B14	4	50 - 10
AH131171	2C15	17	50 - 37	AH132840	2E13	24	60 - 13	AH135225	4F23	19	150 - 9
AH131171	2C22	4	50 - 45	AH132988	2H23	2	70 - 65	AH135229	4F23	13	150 - 9
AH131172	2C17	29	50 - 39	AH133091	2I8	11	80 - 3	AH135240	3H4	19	110 - 17
AH131174	2C23	15	50 - 46	AH133091	2I8	12	80 - 3	AH135290	2I10	7	80 - 5
AH131176	2G25	..	70 - 41	AH133091	2I8	29	80 - 3	AH135290	2I16	12	80 - 11
AH131178	2G25	17	70 - 41	AH133126	2E9	9	60 - 9	AH135290	3E10	18	100 - 19
AH131178	2I2	12	70 - 69	AH133128	2E9	..	60 - 9	AH135290	4H4	2	150 - 41
AH131183	2F17	26	70 - 7	AH133151	2G19	2	70 - 35	AH135380	3H10	6	110 - 23
AH131215	3H22	13	120 - 7	AH133156	3H2	14	110 - 15	AH135448	4C12	12	135 - 3
AH131217	3I10	14	120 - 19	AH133157	3H2	19	110 - 15	AH135448	4D4	15	135 - 19
AH131219	3I10	14	120 - 19	AH133157	3H4	31	110 - 17	AH135463	3I18	2	125 - 3
AH131250	2G17	3	70 - 33	AH133160	2E19	34	60 - 19	AH135463	4F13	1	140 - 59
AH131250	2G19	5	70 - 35	AH133161	2E19	33	60 - 19	AH135476	2J13	6	80 - 33
AH131301	1B11	15	20 - 9	AH133191	3F10	23	100 - 43	AH135477	2J13	6	80 - 33
AH131302	2E21	25	60 - 21	AH133191	3G2	47	100 - 61	AH135481	2J13	10	80 - 33
AH131304	2G25	13	70 - 41	AH133191	3H14	1	110 - 27	AH135565	4D20	18	140 - 13
AH131308	2C23	6	50 - 46	AH133191	4E18	8	140 - 39	AH135606	3E2	13	100 - 11
AH131310	2C22	..	50 - 45	AH133191	4E22	18	140 - 43	AH135611	3F16	5	100 - 49
AH131311	2H12	6	70 - 53	AH133191	4F6	6	140 - 51	AH135611	3F16	10	100 - 49
AH131316	2E21	24	60 - 21	AH133191	4G20	18	150 - 31	AH135613	3F18	12	100 - 51
AH131317	2H8	16	70 - 49	AH133191	4G22	3	150 - 33	AH135614	3F2	30	100 - 35
AH131320	1H21	5	40 - 75	AH133191	4H2	28	150 - 39	AH135647	3H4	1	110 - 17
AH131331	3H4	3	110 - 17	AH133265	2G17	4	70 - 33	AH135658	4C2	6	130 - 25
AH131332	3F19	8	100 - 52	AH133265	4I20	1	160 - 27	AH135682	2H14	13	70 - 55
AH131334	2F11	14	70 - 1	AH133660	2C15	7	50 - 37	AH135684	2H10	3	70 - 51
AH131378	2G15	7	70 - 31	AH133661	2C22	18	50 - 45	AH135686	2H10	2	70 - 51
AH131381	2E19	30	60 - 19	AH133724	3H22	9	120 - 7	AH135688	2H16	18	70 - 57
AH131382	2E19	29	60 - 19	AH133752	2E17	8	60 - 17	AH135694	3F16	5	100 - 49
AH131391	2C17	3	50 - 39	AH133758	2I2	2	70 - 69	AH135744	4D12	15	140 - 5
AH131391	2C22	16	50 - 45	AH133770	2H25	11	70 - 67	AH135783	2E7	19	60 - 7
AH131420	2G11	24	70 - 27	AH133896	1B18	1	20 - 16	AH135784	2E7	20	60 - 7
AH131421	2G11	26	70 - 27	AH133941	2D20	32	50 - 71	AH135787	1F19	6	40 - 19
AH131508	4E20	15	140 - 41	AH133942	2D20	33	50 - 71	AH135787	1F19	16	40 - 19
AH131535	2G17	15	70 - 33	AH133948	2I2	22	70 - 69	AH135806	2F17	26	70 - 7
AH131535	2G19	22	70 - 35	AH133948	2I4	1	70 - 71	AH135807	4C12	3	135 - 3
AH131545	2E19	19	60 - 19	AH133949	2I2	18	70 - 69	AH135807	4D3	7	135 - 18
AH131546	2E19	18	60 - 19	AH133949	2I4	2	70 - 71	AH135830	2B8	13	50 - 4
AH131570	2G6	15	70 - 21	AH134121	3E10	13	100 - 19	AH135835	3G14	10	110 - 3
AH131571	2G6	10	70 - 21	AH134121	3E12	5	100 - 21	AH135837	4B16	1	130 - 13
AH131572	2G6	9	70 - 21	AH134121	3E14	5	100 - 23	AH135963	4C18	13	135 - 9
AH131576	2G15	18	70 - 31	AH134121	3E16	17	100 - 25	AH136110	2F13	12	70 - 3
AH131576	4C24	20	135 - 15	AH134205	2G21	9	70 - 37	AH136111	4C12	20	135 - 3
AH131842	2G25	3	70 - 41	AH134207	4D23	6	140 - 16	AH136126	4F6	9	140 - 51
AH131860	3J4	18	125 - 13	AH134304	2E13	31	60 - 13	AH136147	2J17	14	80 - 37
AH131861	2B20	33	50 - 17	AH134304	4I16	31	160 - 23	AH136153	4G8	15	150 - 19
AH131874	2E23	9	60 - 23	AH134305	2E13	31	60 - 13	AH136157	2C11	12	50 - 33
AH131875	2E23	10	60 - 23	AH134305	4I16	31	160 - 23	AH136242	4D4	11	135 - 19
AH131876	2H6	8	70 - 47	AH134319	4F4	5	140 - 49	AH136248	2H4	..	70 - 45
AH131965	1B9	6	20 - 7	AH134438	4B23	6	130 - 21	AH136263	4C12	21	135 - 3
AH132027	2G21	5	70 - 37	AH134439	4B23	1	130 - 21	AH136264	4C12	22	135 - 3
AH132031	2H25	4	70 - 67	AH134524	1H19	3	40 - 73	AH136277	4C24	8	135 - 15
AH132128	2B11	4	50 - 7	AH134642	1B7	7	20 - 5	AH136285	2I14	12	80 - 9
AH132200	2I2	9	70 - 69	AH134662	3G24	16	110 - 13	AH136305	2E9	2	60 - 9
AH132201	2I2	16	70 - 69	AH134724	3B18	18	90 - 17	AH136362	2C13	11	50 - 35
AH132230	4G18	24	150 - 29	AH134729	4F2	4	140 - 47	AH136362	2E7	14	60 - 7
AH132237	2D24	1	50 - 75	AH134730	4F2	5	140 - 47	AH136367	2E25	8	60 - 25
AH132238	2D24	1	50 - 75	AH134813	2B8	13	50 - 4	AH136368	2E25	9	60 - 25
AH132239	2D24	1	50 - 75	AH134814	2B7	1	50 - 3	AH136455	2J15	8	80 - 35
AH132361	2I8	4	80 - 3	AH134833	2G5	26	70 - 20	AH136497	3F21	8	100 - 55
AH132361	4C8	11	130 - 31	AH134859	4E3	47	140 - 23	AH136497	4E10	15	140 - 31
AH132372	3J4	24	125 - 13	AH134884	3D5	22	95 - 5	AH136553	4G8	25	150 - 19
AH132372	4F13	21	140 - 59	AH135035	1B5	4	20 - 3	AH136554	4G8	26	150 - 19

NUMERICAL INDEX - CONTINUED

PART NO.	GRID	KEY	PAGE	PART NO.	GRID	KEY	PAGE	PART NO.	GRID	KEY	PAGE
AH137205	4D4	12	135 - 19	AH138971	4B23	21	130 - 21	AH140335	4G14	10	150 - 25
AH137350	2B20	33	50 - 17	AH138971	4C2	2	130 - 25	AH140394	4C18	23	135 - 9
AH137486	3D9	18	95 - 9	AH138972	4B23	22	130 - 21	AH140410	2B17	3	50 - 13
AH137560	4C14	12	135 - 5	AH138972	4C2	8	130 - 25	AH140417	3G22	..	110 - 11
AH137561	4C14	11	135 - 5	AH139060	2F24	11	70 - 15	AH140434	3H10	6	110 - 23
AH137567	4C14	1	135 - 5	AH139060	2G2	11	70 - 17	AH140497	1B5	31	20 - 3
AH137569	4C16	23	135 - 7	AH139060	2G4	11	70 - 19	AH140558	4C18	19	135 - 9
AH137570	4C16	20	135 - 7	AH139060	2G11	22	70 - 27	AH140605	2E3	10	60 - 3
AH137572	4C16	7	135 - 7	AH139065	3C4	36	90 - 29	AH140615	3E2	31	100 - 11
AH137576	4C16	30	135 - 7	AH139118	4D14	5	140 - 7	AH140713	4G2	6	150 - 13
AH137604	3F8	1	100 - 41	AH139173	3E10	1	100 - 19	AH140714	2E23	8	60 - 23
AH137614	4C16	24	135 - 7	AH139174	3F16	2	100 - 49	AH140715	2E23	7	60 - 23
AH137616	4C16	11	135 - 7	AH139175	3F16	17	100 - 49	AH140790	4G10	1	150 - 21
AH137618	4C24	4	135 - 15	AH139238	4D25	43	140 - 19	AH14080	4E22	6	140 - 43
AH137622	2D14	15	50 - 65	AH139243	3F23	3	100 - 57	AH140838	3B16	12	90 - 15
AH137630	3F8	5	100 - 41	AH139246	3H4	8	110 - 17	AH140901	4H2	23	150 - 39
AH137630	3J14	10	125 - 23	AH139260	4B16	9	130 - 13	AH140902	2H4	25	70 - 45
AH137631	3F8	30	100 - 41	AH139285	3F23	6	100 - 57	AH140902	2H23	12	70 - 65
AH137631	3J14	10	125 - 23	AH139286	3F23	3	100 - 57	AH140902	2I2	26	70 - 69
AH137691	4C24	12	135 - 15	AH139295	3E4	21	100 - 13	AH140903	2H4	6	70 - 45
AH137702	3D10	4	95 - 10	AH139295	3E6	6	100 - 15	AH140930	1B13	3	20 - 11
AH137751	4C9	4	130 - 32	AH139296	4E18	3	140 - 39	AH140967	1B9	10	20 - 7
AH137752	4C4	13	130 - 27	AH139296	4E22	12	140 - 43	AH14097	3G2	21	100 - 61
AH137753	4C6	3	130 - 29	AH139296	4F6	4	140 - 51	AH14097	4B25	1	130 - 23
AH137771	4D22	25	140 - 15	AH139297	3H20	24	120 - 5	AH141012	3C16	10	90 - 41
AH137772	4D22	1	140 - 15	AH139315	3G4	5	100 - 63	AH141022	4D22	33	140 - 15
AH137792	4B6	7	130 - 3	AH139316	4C22	11	135 - 13	AH141038	1G16	13	40 - 43
AH137816	2C5	12	50 - 27	AH139352	3E10	2	100 - 19	AH141138	3G10	17	100 - 69
AH137893	4C20	6	135 - 11	AH139388	3I20	18	125 - 5	AH141142	3I2	18	120 - 11
AH137975	4C8	1	130 - 31	AH139389	3I20	18	125 - 5	AH141142	3I2	19	120 - 11
AH137986	2I4	17	70 - 71	AH139391	3I20	18	125 - 5	AH141184	4B25	27	130 - 23
AH138048	2C13	4	50 - 35	AH139434	4D10	12	140 - 3	AH141236	3G10	1	100 - 69
AH138098	3C16	12	90 - 41	AH139436	3H8	12	110 - 21	AH141237	3G10	5	100 - 69
AH138156	4B14	1	130 - 11	AH139436	4E20	3	140 - 41	AH141238	3G10	7	100 - 69
AH138157	4B14	10	130 - 11	AH139436	4K8	3	170 - 35	AH141239	3G10	11	100 - 69
AH138187	3F8	1	100 - 41	AH139679	4B14	20	130 - 11	AH141240	3G10	14	100 - 69
AH138200	2H20	13	70 - 61	AH139680	4B14	19	130 - 11	AH141241	3G10	12	100 - 69
AH138230	3I12	8	120 - 21	AH139791	4B6	5	130 - 3	AH141242	3G10	15	100 - 69
AH138230	3I14	2	120 - 23	AH139791	4B14	16	130 - 11	AH141257	3E10	20	100 - 19
AH138231	3I2	7	120 - 11	AH139802	2D20	24	50 - 71	AH141269	4D2	48	135 - 17
AH138232	3I8	6	120 - 17	AH139816	4E14	20	140 - 35	AH141269	4G25	9	150 - 37
AH138232	3I12	7	120 - 21	AH139868	3F16	3	100 - 49	AH141270	4D2	13	135 - 17
AH138233	4C8	14	130 - 31	AH139895	2D24	1	50 - 75	AH141270	4D2	27	135 - 17
AH138234	3I2	2	120 - 11	AH139896	2D24	1	50 - 75	AH141270	4D2	28	135 - 17
AH138257	1B7	6	20 - 5	AH139987	1H12	2	40 - 65	AH141270	4D2	31	135 - 17
AH138278	3E24	3	100 - 33	AH140001	4G22	15	150 - 33	AH141270	4D2	32	135 - 17
AH138291	1H2	13	40 - 55	AH140044	3I4	13	120 - 13	AH141270	4D2	33	135 - 17
AH138329	3C10	18	90 - 35	AH140063	4I21	3	160 - 28	AH141270	4D2	34	135 - 17
AH138384	3H20	38	120 - 5	AH140071	4D3	6	135 - 18	AH141270	4D2	35	135 - 17
AH138426	3I22	9	125 - 7	AH140081	4G2	3	150 - 13	AH141270	4D2	36	135 - 17
AH138510	4C9	4	130 - 32	AH140105	3F18	22	100 - 51	AH141270	4D2	37	135 - 17
AH138546	4C16	25	135 - 7	AH140111	2J9	11	80 - 29	AH141270	4D2	38	135 - 17
AH138547	4C16	1	135 - 7	AH140118	1B7	2	20 - 5	AH141270	4D2	40	135 - 17
AH138548	4C12	26	135 - 3	AH140119	1B5	2	20 - 3	AH141270	4D2	42	135 - 17
AH138549	4C12	25	135 - 3	AH140120	1F21	37	40 - 21	AH141270	4D2	43	135 - 17
AH138553	4C16	28	135 - 7	AH140120	1F24	6	40 - 25	AH141270	4D2	44	135 - 17
AH138655	3J10	7	125 - 19	AH140120	1F24	..	40 - 25	AH141270	4D2	..	135 - 17
AH138707	3C10	4	90 - 35	AH140120	1G2	6	40 - 29	AH141302	2B11	4	50 - 7
AH138718	2I4	9	70 - 71	AH140120	1G2	..	40 - 29	AH141390	4D20	20	140 - 13
AH138724	4C24	28	135 - 15	AH140127	3J4	14	125 - 13	AH141393	3H14	17	110 - 27
AH138725	4C24	6	135 - 15	AH140127	3J4	20	125 - 13	AH141399	3F2	24	100 - 35
AH138809	2B15	1	50 - 11	AH140127	3J4	24	125 - 13	AH141544	2D12	9	50 - 63
AH138813	3G4	7	100 - 63	AH140127	3J4	25	125 - 13	AH141582	2E13	29	60 - 13
AH138813	4C22	1	135 - 13	AH140129	4B14	12	130 - 11	AH141582	4I16	29	160 - 23
AH138814	3G4	17	100 - 63	AH140170	1B5	18	20 - 3	AH141618	3G19	1	110 - 8
AH138814	4C22	4	135 - 13	AH140185	3E2	19	100 - 11	AH141652	4C6	5	130 - 29
AH138955	4F25	13	150 - 11	AH140253	2B13	3	50 - 9	AH141671	1B7	11	20 - 5

1K20

9550 AND 9550SH SELF-PROPELLED COMBINE

NUMERICAL INDEX - CONTINUED

PART NO.	GRID	KEY	PAGE	PART NO.	GRID	KEY	PAGE	PART NO.	GRID	KEY	PAGE
AH141686	2E7	5	60-7	AH144778	3B20	1	90-19	AH148649	1B13	4	20-11
AH141687	2E7	6	60-7	AH144816	3H12	9	110-25	AH148758	1G21	8	40-49
AH141762	4E6	14	140-27	AH145030	4G6	21	150-17	AH148879	1E23	1	30-19
AH141762	4E20	25	140-41	AH145047	4G14	10	150-25	AH148880	1E23	5	30-19
AH141774	3B8	4	90-7	AH145048	4G14	10	150-25	AH148893	4E10	14	140-31
AH141781	3F6	11	100-39	AH145049	4G14	10	150-25	AH148894	3D24	23	100-7
AH141782	3F6	10	100-39	AH145050	4G14	10	150-25	AH148944	4C4	14	130-27
AH141794	2E7	2	60-7	AH145157	2J21	8	80-41	AH148999	3I22	5	125-7
AH141808	1B7	17	20-5	AH145235	2D16	4	50-67	AH149180	3J20	30	125-29
AH141811	2C22	..	50-45	AH145235	2F19	12	70-9	AH149226	2F19	1	70-9
AH141811	2C23	19	50-46	AH145237	2D16	5	50-67	AH149228	3D7	2	95-7
AH141813	1H12	10	40-65	AH145237	2F19	13	70-9	AH149349	3F14	17	100-47
AH141820	4D25	29	140-19	AH145239	2F19	15	70-9	AH149356	4E22	9	140-43
AH141849	1B7	8	20-5	AH145239	2F21	6	70-11	AH149356	4E22	38	140-43
AH141858	4C4	14	130-27	AH145241	2F19	14	70-9	AH149357	4E22	9	140-43
AH141861	3F23	5	100-57	AH145241	2F21	7	70-11	AH149543	3J12	38	125-21
AH141973	4E10	5	140-31	AH145281	3E22	22	100-31	AH149545	3H22	13	120-7
AH142156	3G4	12	100-63	AH145385	4I4	9	160-9	AH149549	3H22	13	120-7
AH142394	3F8	8	100-41	AH145604	3H14	7	110-27	AH149551	3I4	15	120-13
AH142404	3C21	1	90-47	AH145689	2D14	4	50-65	AH149553	3I4	15	120-13
AH142404	3C23	1	90-49	AH145899	4C14	2	135-5	AH149555	3I6	18	120-15
AH142407	3E6	24	100-15	AH145964	1G21	11	40-49	AH149558	3I10	14	120-19
AH142441	2E15	28	60-15	AH146032	3B20	4	90-19	AH149559	3I10	14	120-19
AH142441	3C4	27	90-29	AH146041	3C18	9	90-43	AH149583	3B5	14	90-3
AH142527	1B7	14	20-5	AH146043	4G6	20	150-17	AH149588	2F19	1	70-9
AH142611	2D18	23	50-69	AH146183	4I14	2	160-21	AH149618	2F19	4	70-9
AH142731	2G12	25	70-28	AH146322	3J16	8	125-25	AH149626	3I22	17	125-7
AH142758	2D18	17	50-69	AH146352	4F25	21	150-11	AH149701	3I12	1	120-21
AH142778	4B4	1	130-1	AH146352	4G22	16	150-33	AH149752	4I2	3	160-7
AH142780	3G14	..	110-3	AH146462	4E22	31	140-43	AH149801	1H22	1	40-76
AH142893	2E15	20	60-15	AH146463	4E22	4	140-43	AH149829	2E13	28	60-13
AH143035	2D10	1	50-61	AH146492	2E3	2	60-3	AH149829	4I16	28	160-23
AH143048	4B14	23	130-11	AH146552	4F13	14	140-59	AH149833	1G14	30	40-41
AH143322	2H20	16	70-61	AH146561	2G13	14	70-29	AH149834	1G14	3	40-41
AH143322	2H21	12	70-62	AH146655	3H18	2	120-3	AH149835	1G14	1	40-41
AH143333	4I16	24	160-23	AH146744	3B25	7	90-25	AH149862	4I6	13	160-11
AH143352	2D10	5	50-61	AH146764	4I7	10	160-12	AH149862	4I21	6	160-28
AH143353	2D18	16	50-69	AH146765	4I10	10	160-16	AH149879	3H20	47	120-5
AH143361	3E22	39	100-31	AH146788	1E19	26	30-15	AH149889	3I24	1	125-9
AH143362	3E22	38	100-31	AH146834	3J2	13	125-11	AH149921	4D2	47	135-17
AH143455	2G19	7	70-35	AH146852	3B12	6	90-11	AH149936	2H12	5	70-53
AH143512	3G10	8	100-69	AH146854	3B10	5	90-9	AH150166	4I6	16	160-11
AH143512	3G10	13	100-69	AH146864	4I2	2	160-7	AH150167	3I4	12	120-13
AH143512	3G10	..	100-69	AH146871	4I4	1	160-9	AH150168	3I10	12	120-19
AH143682	2H18	1	70-59	AH146979	4I4	4	160-9	AH150169	3I6	8	120-15
AH143682	2H21	1	70-62	AH147030	3B23	3	90-22	AH150171	4I18	2	160-25
AH143727	4G18	11	150-29	AH147084	2F24	12	70-15	AH150172	4I18	10	160-25
AH143731	4G18	11	150-29	AH147084	2G2	12	70-17	AH150173	3I24	4	125-9
AH143746	4E4	4	140-24	AH147084	2G4	12	70-19	AH150174	3I24	5	125-9
AH143747	4E4	5	140-24	AH147084	2G9	38	70-25	AH150237	3I24	3	125-9
AH143903	1H18	1	40-72	AH147085	2G5	25	70-20	AH150239	2J7	4	80-26
AH143904	1H18	1	40-72	AH147118	4I4	1	160-9	AH150260	3D10	1	95-10
AH143904	4E24	5	140-45	AH147153	3B23	1	90-22	AH150343	2B13	4	50-9
AH144031	2G13	3	70-29	AH147170	3C2	27	90-27	AH150344	2B13	4	50-9
AH144084	3D10	8	95-10	AH147173	3B18	7	90-17	AH150451	3D20	31	100-3
AH144104	3G16	2	110-5	AH147476	3E4	21	100-13	AH150451	3G8	18	100-67
AH144192	2D12	1	50-63	AH147544	2B12	1	50-8	AH150473	1H19	1	40-73
AH144478	4B6	5	130-3	AH147545	2B12	7	50-8	AH150490	4I4	8	160-9
AH144478	4B14	16	130-11	AH147935	2E17	9	60-17	AH150497	3H2	1	110-15
AH144480	2H20	15	70-61	AH148106	1C1	4	20-24	AH150498	1H15	13	40-69
AH144482	2H20	1	70-61	AH148124	2G17	13	70-33	AH150499	1H15	13	40-69
AH144609	3G16	9	110-5	AH148124	2G19	18	70-35	AH150593	4H23	..	160-3
AH144609	3G16	18	110-5	AH148210	1G17	12	40-44	AH150686	3D24	9	100-7
AH144695	2B14	4	50-10	AH148210	4F23	24	150-9	AH150686	3E2	9	100-11
AH144715	3E2	17	100-11	AH148259	1E23	21	30-19	AH150687	3D22	6	100-5
AH144719	1B11	7	20-9	AH148472	2G5	24	70-20	AH151119	3H2	8	110-15
AH144719	1B13	5	20-11	AH148633	1H4	1	40-57	AH151121	3H2	5	110-15

NUMERICAL INDEX - CONTINUED

PART NO.	GRID	KEY	PAGE	PART NO.	GRID	KEY	PAGE	PART NO.	GRID	KEY	PAGE
AH151123	3B12	7	90 - 11	AH154068	3I22	9	125 - 7	AH156051	4F13	6	140 - 59
AH151139	1B25	7	20 - 23	AH154195	1F16	37	40 - 15	AH156066	3E10	4	100 - 19
AH151143	2J15	32	80 - 35	AH154206	1G18	8	40 - 45	AH156144	1B25	12	20 - 23
AH151332	3H14	7	110 - 27	AH154218	3B12	11	90 - 11	AH156144	2F11	7	70 - 1
AH151338	2I10	11	80 - 5	AH154221	3C14	16	90 - 39	AH156144	4D12	9	140 - 5
AH151339	2I10	4	80 - 5	AH154278	1G14	5	40 - 41	AH156145	1C2	6	20 - 25
AH151340	2I10	9	80 - 5	AH154280	3B14	6	90 - 13	AH156145	1D21	1	25 - 43
AH151342	2I12	6	80 - 7	AH154330	3J2	8	125 - 11	AH156475	3D22	11	100 - 5
AH151343	2I12	11	80 - 7	AH154383	1H2	18	40 - 55	AH156476	3D22	12	100 - 5
AH151347	2I12	4	80 - 7	AH154383	1H4	13	40 - 57	AH156626	2B11	4	50 - 7
AH151349	2I14	5	80 - 9	AH154400	3I10	3	120 - 19	AH156708	3C2	..	90 - 27
AH151352	2I14	4	80 - 9	AH154407	3C2	14	90 - 27	AH156717	3H22	12	120 - 7
AH151353	2I16	3	80 - 11	AH154420	3I10	3	120 - 19	AH156773	2B8	1	50 - 4
AH151354	3J8	7	125 - 17	AH154504	1H24	8	40 - 78	AH156843	3E8	5	100 - 17
AH151362	3C25	17	90 - 51	AH154504	1H25	7	40 - 79	AH156943	3B10	4	90 - 9
AH151400	2G9	..	70 - 25	AH154509	3B5	3	90 - 3	AH156971	2C9	11	50 - 31
AH151403	4G18	11	150 - 29	AH154566	2J4	18	80 - 23	AH157036	2J6	4	80 - 25
AH151407	4G16	10	150 - 27	AH154567	2I14	8	80 - 9	AH157053	3C18	1	90 - 43
AH151408	4G16	25	150 - 27	AH154696	3C14	6	90 - 39	AH157074	4G20	22	150 - 31
AH151409	4G16	25	150 - 27	AH154701	4D22	18	140 - 15	AH157083	4G22	19	150 - 33
AH151410	4G16	25	150 - 27	AH154768	4D22	31	140 - 15	AH157084	4G22	19	150 - 33
AH151411	4G16	10	150 - 27	AH154805	4D23	12	140 - 16	AH157085	4K6	2	170 - 33
AH151413	4G18	3	150 - 29	AH154855	1G15	6	40 - 42	AH157105	2J19	10	80 - 39
AH151414	4G18	3	150 - 29	AH154890	3D20	..	100 - 3	AH157168	3F10	20	100 - 43
AH151454	2I16	2	80 - 11	AH154911	2I20	18	80 - 15	AH157168	3G2	34	100 - 61
AH151455	2I16	11	80 - 11	AH154912	2J4	23	80 - 23	AH157219	4E22	28	140 - 43
AH151458	1B21	1	20 - 19	AH154914	1H24	..	40 - 78	AH157232	1G21	8	40 - 49
AH151537	4B10	9	130 - 7	AH154919	2H4	25	70 - 45	AH157245	2J19	9	80 - 39
AH151652	4D18	20	140 - 11	AH154960	3F21	23	100 - 55	AH157415	3F10	21	100 - 43
AH151653	4D14	24	140 - 7	AH154962	4G2	3	150 - 13	AH157415	3G2	8	100 - 61
AH151714	4F21	1	150 - 7	AH154965	4G22	5	150 - 33	AH157425	2J19	3	80 - 39
AH151779	2J4	1	80 - 23	AH154966	4G22	6	150 - 33	AH157492	2G13	3	70 - 29
AH151780	2I20	1	80 - 15	AH155005	2C9	33	50 - 31	AH157554	1E23	20	30 - 19
AH151781	2J6	1	80 - 25	AH155006	2C9	33	50 - 31	AH157555	1E23	7	30 - 19
AH151783	2J15	30	80 - 35	AH155007	3C2	25	90 - 27	AH157617	2I20	2	80 - 15
AH151784	2I24	6	80 - 19	AH155055	1B25	8	20 - 23	AH157617	2J4	10	80 - 23
AH151785	2I22	1	80 - 17	AH155079	1B15	17	20 - 13	AH157618	2I20	3	80 - 15
AH151786	2I18	2	80 - 13	AH155088	4F19	31	150 - 5	AH157618	2J4	6	80 - 23
AH151787	2I18	1	80 - 13	AH155103	2J17	8	80 - 37	AH157618	2I14	8	80 - 9
AH151788	2J2	4	80 - 21	AH155122	1B15	14	20 - 13	AH157826	2I14	8	80 - 9
AH151811	2J19	4	80 - 39	AH155127	1B17	3	20 - 15	AH157933	3D20	14	100 - 3
AH151878	4F23	4	150 - 9	AH155210	3C21	8	90 - 47	AH157937	4I2	..	160 - 7
AH151971	3I8	2	120 - 17	AH155217	1B17	3	20 - 15	AH157942	3F23	6	100 - 57
AH152356	3E18	7	100 - 27	AH155232	2C9	7	50 - 31	AH157973	2F11	6	70 - 1
AH152358	3E18	7	100 - 27	AH155264	2G13	2	70 - 29	AH158038	2I24	26	80 - 19
AH152360	3E22	1	100 - 31	AH155275	3H18	35	120 - 3	AH158151	2I10	8	80 - 5
AH152654	4H3	8	150 - 40	AH155276	3B18	16	90 - 17	AH158180	3D9	11	95 - 9
AH152665	2F15	11	70 - 5	AH155483	1H8	13	40 - 61	AH158263	2J13	5	80 - 33
AH152666	2F15	23	70 - 5	AH155648	2D20	35	50 - 71	AH158288	3C14	21	90 - 39
AH152668	1F14	2	40 - 13	AH155650	3F23	1	100 - 57	AH158290	3C14	22	90 - 39
AH152671	2D20	12	50 - 71	AH155657	3G2	7	100 - 61	AH158291	3C14	29	90 - 39
AH152672	2D20	23	50 - 71	AH155659	3F10	13	100 - 43	AH158310	3J12	41	125 - 21
AH152743	2D10	12	50 - 61	AH155661	4E12	14	140 - 33	AH158321	1E23	14	30 - 19
AH152743	2D18	15	50 - 69	AH155666	3F14	7	100 - 47	AH158328	3F8	31	100 - 41
AH152937	3E2	13	100 - 11	AH155669	2I14	10	80 - 9	AH158580	3J13	4	125 - 22
AH152937	3G8	19	100 - 67	AH155706	3G2	26	100 - 61	AH158581	3J13	4	125 - 22
AH153040	4E22	4	140 - 43	AH155787	2E5	2	60 - 5	AH158595	4D16	20	140 - 9
AH153133	1F14	4	40 - 13	AH155787	2E7	1	60 - 7	AH158595	4D18	14	140 - 11
AH153261	3F4	10	100 - 37	AH155812	4H2	26	150 - 39	AH158635	3F8	32	100 - 41
AH153311	1F14	3	40 - 13	AH155852	3D5	1	95 - 5	AH158635	3J14	10	125 - 23
AH153341	3E2	..	100 - 11	AH155929	3B10	1	90 - 9	AH158658	2B16	1	50 - 12
AH153659	1B25	1	20 - 23	AH155932	3C12	6	90 - 37	AH158662	2B16	1	50 - 12
AH153688	3H2	13	110 - 15	AH155933	3C12	5	90 - 37	AH158673	1E23	17	30 - 19
AH153688	3H4	11	110 - 17	AH155936	3F10	2	100 - 43	AH158721	1E19	1	30 - 15
AH153796	3B12	1	90 - 11	AH155975	2J15	17	80 - 35	AH158821	4B14	12	130 - 11
AH153808	3H24	4	120 - 9	AH156051	3E8	7	100 - 17	AH158849	2J13	5	80 - 33
AH153910	3B12	26	90 - 11	AH156051	3J18	14	125 - 27	AH158880	4H2	45	150 - 39
				AH156051	4E20	27	140 - 41	AH158880	4K8	4	170 - 35

NUMERICAL INDEX - CONTINUED

PART NO.	GRID	KEY	PAGE	PART NO.	GRID	KEY	PAGE	PART NO.	GRID	KEY	PAGE
AH158896	4D6	1	135-21	AH160472	3C18	3	90-43	AH161530	2G9	3	70-25
AH158927	2G23	6	70-39	AH160473	3C18	3	90-43	AH161530	2G12	3	70-28
AH159026	2F19	10	70-9	AH160474	3C18	3	90-43	AH161546	4E12	3	140-33
AH159026	3D9	12	95-9	AH160475	3C18	3	90-43	AH161601	1G6	28	40-33
AH159037	3C14	10	90-39	AH160476	3C18	3	90-43	AH161679	3B22	6	90-21
AH159061	2I16	8	80-11	AH160486	3H16	3	120-1	AH161714	2F13	4	70-3
AH159078	2F19	11	70-9	AH160493	2G13	2	70-29	AH161754	3B18	22	90-17
AH159078	3D12	1	95-12	AH160510	1H15	13	40-69	AH161755	3B18	15	90-17
AH159105	1G23	3	40-51	AH160572	4I10	14	160-16	AH161812	3G14	2	110-3
AH159110	1G23	14	40-51	AH160573	4I7	14	160-12	AH161838	1H21	4	40-75
AH159170	3D24	..	100-7	AH160591	3B12	..	90-11	AH161839	1H21	3	40-75
AH159170	3D25	..	100-8	AH160592	3B12	16	90-11	AH161864	3C12	7	90-37
AH159180	3C2	9	90-27	AH160604	3G14	1	110-3	AH161865	3C12	8	90-37
AH159185	3C18	1	90-43	AH160606	4B12	8	130-9	AH161885	2G13	13	70-29
AH159186	3C18	1	90-43	AH160615	3D20	14	100-3	AH161969	3C12	4	90-37
AH159187	3C18	1	90-43	AH160622	4F17	27	150-3	AH161981	4D23	19	140-16
AH159188	3C18	1	90-43	AH160628	1G23	12	40-51	AH162058	3I22	15	125-7
AH159205	2J15	5	80-35	AH160640	2J15	14	80-35	AH162060	4B20	3	130-18
AH159233	3E2	34	100-11	AH160669	4I18	12	160-25	AH162061	4F8	22	140-53
AH159236	3B12	5	90-11	AH160714	2I24	19	80-19	AH162068	4D23	4	140-16
AH159238	3B12	9	90-11	AH160796	3E16	22	100-25	AH162138	2H14	2	70-55
AH159241	3C2	12	90-27	AH160796	3F14	4	100-47	AH162140	2H10	4	70-51
AH159332	1H23	3	40-77	AH160798	3E12	7	100-21	AH162142	2H10	8	70-51
AH159333	1H23	3	40-77	AH160798	3E14	7	100-23	AH162145	2F17	..	70-7
AH159356	4B16	26	130-13	AH160798	3E16	8	100-25	AH162146	2F5	21	60-31
AH159365	3I12	3	120-21	AH160799	3E12	19	100-21	AH162147	2F5	21	60-31
AH159447	1E19	8	30-15	AH160994	4F10	17	140-55	AH162154	3I20	12	125-5
AH159448	1E19	9	30-15	AH161016	3F6	9	100-39	AH162163	3C14	15	90-39
AH159573	1E19	10	30-15	AH161062	3E16	13	100-25	AH162210	1E19	29	30-15
AH159703	3F6	1	100-39	AH161063	3E12	6	100-21	AH162230	3J4	5	125-13
AH159715	3B10	7	90-9	AH161063	3E14	6	100-23	AH162231	1I3	4	40-82
AH159716	3B10	2	90-9	AH161154	3B25	10	90-25	AH162231	1I5	4	40-84
AH159740	3C23	9	90-49	AH161171	4F17	4	150-3	AH162232	1H23	2	40-77
AH159862	2J13	1	80-33	AH161348	3B18	5	90-17	AH162251	3H10	11	110-23
AH159937	2I22	3	80-17	AH161391	2J4	19	80-23	AH162340	3E12	16	100-21
AH159991	1B5	39	20-3	AH161400	3G22	17	110-11	AH162340	3E14	16	100-23
AH159992	1B5	34	20-3	AH161405	3G22	17	110-11	AH162400	4G8	1	150-19
AH159994	3B25	1	90-25	AH161407	3G22	17	110-11	AH162417	3G14	1	110-3
AH160058	1G17	4	40-44	AH161409	3G22	17	110-11	AH162418	3G14	2	110-3
AH160085	1B11	1	20-9	AH161410	3G22	17	110-11	AH162431	2G13	13	70-29
AH160107	1H13	3	40-66	AH161431	4B20	4	130-18	AH162464	1H10	5	40-63
AH160113	3C23	2	90-49	AH161432	4B20	11	130-18	AH162466	2F5	19	60-31
AH160115	3C21	2	90-47	AH161433	4B20	13	130-18	AH162467	2F5	19	60-31
AH160136	2E9	32	60-9	AH161455	1B9	3	20-7	AH162469	4E16	10	140-37
AH160152	2J9	17	80-29	AH161456	1B11	7	20-9	AH162503	3B20	3	90-19
AH160197	1B13	2	20-11	AH161457	1B11	7	20-9	AH162528	4F6	1A	140-51
AH160218	1I4	3	40-83	AH161463	1E25	2	30-21	AH162529	4F6	32	140-51
AH160219	1I4	3	40-83	AH161474	1G21	7	40-49	AH162545	2E5	..	60-5
AH160236	3C14	12	90-39	AH161485	2E9	31	60-9	AH162545	2E9	26	60-9
AH160278	1G23	11	40-51	AH161526	2F24	10	70-15	AH162548	4F6	1B	140-51
AH160279	1B18	2	20-16	AH161526	2G2	10	70-17	AH162549	4F6	32	140-51
AH160291	1G23	1	40-51	AH161526	2G4	10	70-19	AH162559	3B18	11	90-17
AH160291	1G24	2	40-52	AH161526	2G12	22	70-28	AH162571	2F3	5	60-29
AH160392	3E18	7	100-27	AH161527	2F24	9	70-15	AH162572	2F3	6	60-29
AH160394	3E18	7	100-27	AH161527	2G2	9	70-17	AH162573	2F3	19	60-29
AH160395	3E22	1	100-31	AH161527	2G4	9	70-19	AH162576	2B7	3	50-3
AH160406	2J9	..	80-29	AH161527	2G9	33	70-25	AH162586	3E22	40	100-31
AH160426	4B12	9	130-9	AH161527	2G11	21	70-27	AH162587	3E22	40	100-31
AH160427	3I22	17	125-7	AH161527	2G12	23	70-28	AH162665	1E19	22	30-15
AH160428	3I24	1	125-9	AH161529	2F24	14	70-15	AH162666	1E19	19	30-15
AH160429	3I24	3	125-9	AH161529	2G2	14	70-17	AH162723	1E13	1	30-9
AH160432	2J9	10	80-29	AH161529	2G4	14	70-19	AH162724	3E22	16	100-31
AH160443	2J6	3	80-25	AH161529	2G9	34	70-25	AH162746	3B8	16	90-7
AH160445	2J19	2	80-39	AH161530	2F24	18	70-15	AH162785	1G6	10	40-33
AH160469	3C18	2	90-43	AH161530	2G2	18	70-17	AH162787	3E6	14A	100-15
AH160470	3C18	2	90-43	AH161530	2G4	18	70-19	AH162787	3F21	1A	100-55
AH160471	3C18	2	90-43	AH161530	2G5	3	70-20	AH162797	3G22	21	110-11

NUMERICAL INDEX - CONTINUED

PART NO.	GRID	KEY	PAGE	PART NO.	GRID	KEY	PAGE	PART NO.	GRID	KEY	PAGE
AH162821	3G22	21	110 - 11	AH164500	2G11	23	70 - 27	AH166439	3E6	11	100 - 15
AH162827	3G22	21	110 - 11	AH164609	4G12	14	150 - 23	AH166439	3E8	10	100 - 17
AH162833	3G22	21	110 - 11	AH164755	2D22	18	50 - 73	AH166439	3G2	24	100 - 61
AH162886	4F8	14	140 - 53	AH164841	4H2	4	150 - 39	AH166463	2I24	18	80 - 19
AH163000	3C2	5	90 - 27	AH164868	3J4	20	125 - 13	AH166470	4D5	6	135 - 20
AH163026	2C9	33	50 - 31	AH164868	3J4	24	125 - 13	AH166538	2I18	3	80 - 13
AH163026	4I14	1	160 - 21	AH164889	3B22	2	90 - 21	AH166546	1G16	3	40 - 43
AH163027	2C9	33	50 - 31	AH164935	2C15	..	50 - 37	AH166572	3I22	18	125 - 7
AH163027	4I14	1	160 - 21	AH164935	2C17	..	50 - 39	AH166638	3I22	21	125 - 7
AH163046	1I4	1	40 - 83	AH165007	1F25	1	40 - 26	AH166639	3I22	22	125 - 7
AH163047	1I4	1	40 - 83	AH165007	1G2	23	40 - 29	AH166640	3I22	23	125 - 7
AH163048	1I4	1	40 - 83	AH165008	1F22	1	40 - 22	AH166648	3B14	4	90 - 13
AH163049	1I4	1	40 - 83	AH165008	1F24	21	40 - 25	AH166698	3J12	21	125 - 21
AH163173	1E19	6	30 - 15	AH165023	3B6	7	90 - 4	AH166711	4B19	15	130 - 17
AH163305	2I20	4	80 - 15	AH165073	3B10	8	90 - 9	AH166713	4F19	30	150 - 5
AH163305	2J4	9	80 - 23	AH165115	2C18	28	50 - 40	AH166714	4F19	18	150 - 5
AH163317	3D5	21	95 - 5	AH165187	3I24	24	125 - 9	AH166773	3C14	10	90 - 39
AH163347	2J19	8	80 - 39	AH165189	4H11	11	155 - 7	AH166780	4F4	16	140 - 49
AH163354	2J11	7	80 - 31	AH165202	4H23	5	160 - 3	AH166836	2J19	6	80 - 39
AH163359	4H11	1	155 - 7	AH165220	3F21	6	100 - 55	AH166872	2I10	2	80 - 5
AH163373	1E13	10	30 - 9	AH165221	3F21	6	100 - 55	AH166873	2I10	1	80 - 5
AH163400	1G2	16	40 - 29	AH165222	4I2	11	160 - 7	AH166909	2I20	17	80 - 15
AH163488	1H4	4	40 - 57	AH165222	4I9	7	160 - 15	AH166909	2J4	22	80 - 23
AH163508	4F23	7	150 - 9	AH165223	4I6	8	160 - 11	AH166909	2J6	5	80 - 25
AH163522	2F19	4	70 - 9	AH165248	4D12	51	140 - 5	AH166909	2J15	34	80 - 35
AH163594	1E23	12	30 - 19	AH165250	1H10	5	40 - 63	AH166909	3B5	7	90 - 3
AH163596	3D3	14	95 - 3	AH165256	4H11	2	155 - 7	AH166910	2B11	4	50 - 7
AH163667	2J19	25	80 - 39	AH165496	3G2	28	100 - 61	AH166949	1E19	36	30 - 15
AH163667	3B5	7	90 - 3	AH165526	1F19	..	40 - 19	AH166953	2F13	12	70 - 3
AH163668	2I20	17	80 - 15	AH165536	1G16	2	40 - 43	AH166969	2J15	32	80 - 35
AH163668	2J4	22	80 - 23	AH165583	1G8	14	40 - 35	AH166970	2J19	9	80 - 39
AH163668	2J6	5	80 - 25	AH165591	3D3	20	95 - 3	AH166970	3C16	14	90 - 41
AH163668	2J15	34	80 - 35	AH165624	2I8	23	80 - 3	AH166987	1F17	1	40 - 16
AH163684	1H17	..	40 - 71	AH165625	2I8	23	80 - 3	AH166987	1F19	31	40 - 19
AH163684	4H13	22	155 - 9	AH165634	3B18	14	90 - 17	AH166987	1F21	30	40 - 21
AH163686	4F6	5	140 - 51	AH165652	3I20	28	125 - 5	AH166999	3I24	10	125 - 9
AH163762	3H20	36	120 - 5	AH165691	1G12	1	40 - 39	AH167030	3J12	4	125 - 21
AH163801	4C4	..	130 - 27	AH165762	3G2	5	100 - 61	AH167030	4B19	9	130 - 17
AH163802	4D25	46	140 - 19	AH165768	4B8	7	130 - 5	AH167031	4B19	11	130 - 17
AH163803	4D20	20	140 - 13	AH165787	3G2	16	100 - 61	AH167108	1G21	12	40 - 49
AH163817	4H25	5	160 - 5	AH165788	3G2	17	100 - 61	AH167126	3F2	24	100 - 35
AH163895	3D24	13	100 - 7	AH165788	3G2	22	100 - 61	AH167132	4F8	3	140 - 53
AH163913	3B25	9	90 - 25	AH165877	2I24	22	80 - 19	AH167407	4H13	1	155 - 9
AH163914	3B25	9	90 - 25	AH165877	2J19	24	80 - 39	AH167433	4F25	34	150 - 11
AH163920	3G22	..	110 - 11	AH165936	4B14	10	130 - 11	AH167434	2B14	4	50 - 10
AH163931	3H8	12	110 - 21	AH165937	4B14	1	130 - 11	AH167499	2B16	1	50 - 12
AH163931	4E20	3	140 - 41	AH165964	3F19	8	100 - 52	AH167553	2H20	..	70 - 61
AH164049	1I4	3	40 - 83	AH165984	1F21	49	40 - 21	AH167558	1B13	2	20 - 11
AH164136	2I24	10	80 - 19	AH165990	3C18	19	90 - 43	AH167563	2J11	7	80 - 31
AH164189	1H22	6	40 - 76	AH166000	1I4	3	40 - 83	AH167573	4J10	..	170 - 13
AH164228	4I9	11	160 - 15	AH166001	1I4	3	40 - 83	AH167573	4J23	..	170 - 26
AH164278	3C2	12	90 - 27	AH166002	1I4	3	40 - 83	AH167579	3E6	14A	100 - 15
AH164288	4H11	22	155 - 7	AH166038	3F25	12	100 - 59	AH167579	3E6	14B	100 - 15
AH164289	4I6	11	160 - 11	AH166124	1G21	6	40 - 49	AH167579	3F21	1A	100 - 55
AH164299	3E2	..	100 - 11	AH166125	1G21	6	40 - 49	AH167579	3F21	1B	100 - 55
AH164304	4I9	12	160 - 15	AH166126	1G21	6	40 - 49	AH167582	2B15	1	50 - 11
AH164349	4H11	2	155 - 7	AH166144	1G10	21	40 - 37	AH167584	2B14	4	50 - 10
AH164391	4H23	5	160 - 3	AH166145	1G4	42	40 - 31	AH167602	3D24	31	100 - 7
AH164450	2F24	13	70 - 15	AH166167	4B19	15	130 - 17	AH167604	1H4	..	40 - 57
AH164450	2G2	13	70 - 17	AH166172	4B19	8	130 - 17	AH167668	4F4	13	140 - 49
AH164450	2G4	13	70 - 19	AH166245	1E21	7	30 - 17	AH167669	4F4	16	140 - 49
AH164450	2G5	27	70 - 20	AH166260	3B6	1A	90 - 4	AH167722	1G16	2	40 - 43
AH164484	2D22	19	50 - 73	AH166260	3B6	1B	90 - 4	AH167768	1G21	6	40 - 49
AH164497	1I4	10	40 - 83	AH166260	3B6	3B	90 - 4	AH167769	1G21	6	40 - 49
AH164500	2F24	16	70 - 15	AH166260	3B6	5B	90 - 4	AH167770	1G21	6	40 - 49
AH164500	2G2	16	70 - 17	AH166345	2H25	2	70 - 67	AH167847	4G22	5	150 - 33
AH164500	2G4	16	70 - 19	AH166367	4F4	13	140 - 49	AH167848	4G22	6	150 - 33

NUMERICAL INDEX - CONTINUED

PART NO.	GRID	KEY	PAGE	PART NO.	GRID	KEY	PAGE	PART NO.	GRID	KEY	PAGE
AH167852	4J19	..	170 - 22	AH85415	4B23	19	130 - 21	AH97031	4E14	10	140 - 35
AH167942	4D23	12	140 - 16	AH86596	2C2	7	50 - 23	AH97280	1E13	2	30 - 9
AH167942	4D23	19	140 - 16	AH86866	2B15	8	50 - 11	AH97280	2E25	11	60 - 25
AH168046	3D24	13	100 - 7	AH87141	4D25	30	140 - 19	AH97280	2H18	2	70 - 59
AH168093	4F21	..	150 - 7	AH87272	1B11	10	20 - 9	AH97280	3D22	15	100 - 5
AH168158	3H12	3	110 - 25	AH88920	3G4	2	100 - 63	AH97340	3E4	2	100 - 13
AH168158	3H12	5	110 - 25	AH88920	4C22	10	135 - 13	AH97920	3C4	34	90 - 29
AH168158	3H12	12	110 - 25	AH89427	3F18	9	100 - 51	AH98118	4G12	1	150 - 23
AH168190	1H24	..	40 - 78	AH89486	3C6	11	90 - 31	AH98176	4F11	7	140 - 56
AH168232	1F19	18B	40 - 19	AH89486	3D22	10	100 - 5	AL14674	3H20	22	120 - 5
AH168300	4F25	40	150 - 11	AH89496	3E10	8	100 - 19	AL14674	4E18	50	140 - 39
AH168385	2I20	17	80 - 15	AH89557	1B13	14	20 - 11	AL2976T	1F11	20	40 - 9
AH168385	2J4	22	80 - 23	AH89557	1G15	9	40 - 42	AM102170	2I20	5	80 - 15
AH168385	2J6	5	80 - 25	AH89557	1G17	2	40 - 44	AM102170	2I22	10	80 - 17
AH168385	2J15	34	80 - 35	AH89557	1G17	6	40 - 44	AM103480	4B25	4	130 - 23
AH168397	3E8	5	100 - 17	AH89557	1I3	2	40 - 82	AN113330	3D24	29	100 - 7
AH168400	4B19	18	130 - 17	AH89557	2E11	4	60 - 11	AN113330	3E2	29	100 - 11
AH168403	2J19	25	80 - 39	AH89557	2G19	24	70 - 35	AN122493	2C17	28	50 - 39
AH168439	3B25	9	90 - 25	AH89557	3C6	44	90 - 31	AN122494	2C20	11	50 - 43
AH168440	3B25	9	90 - 25	AH89557	3F12	10	100 - 45	AN122497	2C23	11	50 - 46
AH168456	1B17	3	20 - 15	AH89557	3H8	27	110 - 21	AN122498	2C18	5	50 - 40
AH168476	2I24	10	80 - 19	AH89557	3H8	31	110 - 21	AN122499	2C20	12	50 - 43
AH168608	4F4	13	140 - 49	AH89557	4F19	44	150 - 5	AN122502	2C17	22	50 - 39
AH168710	4I4	9	160 - 9	AH90499	4D2	21	135 - 17	AN122506	2C17	13	50 - 39
AH168783	3D6	1	95 - 6	AH90687	4D4	13	135 - 19	AN122507	2C17	34	50 - 39
AH168939	1G21	7	40 - 49	AH90687	4D4	..	135 - 19	AN122507	2C22	7	50 - 45
AH168947	4B8	7	130 - 5	AH90688	4D4	3	135 - 19	AN122509	2C17	35	50 - 39
AH169220	4F6	9	140 - 51	AH90688	4D4	4	135 - 19	AN122509	2C22	8	50 - 45
AH169233	3J12	25	125 - 21	AH90688	4D4	5	135 - 19	AN122518	2C17	32	50 - 39
AH169503	3E18	7	100 - 27	AH90688	4D4	6	135 - 19	AN122518	2G9	21	70 - 25
AH169505	3E18	7	100 - 27	AH90688	4D4	7	135 - 19	AN130930	1E23	18	30 - 19
AH169506	3E18	7	100 - 27	AH90688	4D4	13	135 - 19	AN15237	4F13	8	140 - 59
AH169508	3E18	7	100 - 27	AH90688	4D4	..	135 - 19	AN152467	1G8	1	40 - 35
AH169510	3E24	3	100 - 33	AH90963	4F25	3	150 - 11	AN193084	2C20	25	50 - 43
AH169642	3D3	20	95 - 3	AH90990	1G23	13	40 - 51	AN193085	2C15	13	50 - 37
AH169733	1H2	6	40 - 55	AH90990	2D16	15	50 - 67	AN193085	2C15	19	50 - 37
AH169869	3E22	22	100 - 31	AH90990	3B8	14	90 - 7	AN193085	2C22	34	50 - 45
AH170085	3I24	36	125 - 9	AH90990	4D14	45	140 - 7	AN220289	1H2	6	40 - 55
AH170484	2B10	1	50 - 6	AH93110	3E2	35	100 - 11	AN272356	2C23	9	50 - 46
AH171007	3I24	32	125 - 9	AH93318	4F4	2	140 - 49	AN274375	2C17	7	50 - 39
AH171008	3I22	5	125 - 7	AH93892	2F3	9	60 - 29	AN71222	3H12	7	110 - 25
AH20868	2B20	19	50 - 17	AH94450	3E4	10	100 - 13	AR100124	1D4	2	25 - 23
AH20868	4I12	1	160 - 19	AH94450	4E18	14	140 - 39	AR104516	3C16	11	90 - 41
AH21815	3J4	19	125 - 13	AH94450	4F13	5	140 - 59	AR21839	1E25	6	30 - 21
AH64610	2B15	1	50 - 11	AH94853	4D25	21	140 - 19	AR21842	3D9	13	95 - 9
AH75167	2H10	7	70 - 51	AH96088	4D2	17	135 - 17	AR21969	1C10	..	25 - 3
AH75167	2I4	15	70 - 71	AH96090	4D2	2	135 - 17	AR21999	1B13	1	20 - 11
AH75167	3F19	2	100 - 52	AH96090	4D2	3	135 - 17	AR21999	3D5	12	95 - 5
AH76882	2D20	34	50 - 71	AH96090	4D2	6	135 - 17	AR27940	3C2	29	90 - 27
AH76882	2H23	9	70 - 65	AH96090	4D2	7	135 - 17	AR31674	4D2	49	135 - 17
AH77279	1H10	3	40 - 63	AH96090	4D2	9	135 - 17	AR41785	1C10	..	25 - 3
AH77279	3F6	19	100 - 39	AH96090	4D2	10	135 - 17	AR44402	1C10	1	25 - 3
AH77279	4D23	11	140 - 16	AH96090	4D2	11	135 - 17	AR48236	1B13	12	20 - 11
AH77714	4H4	4	150 - 41	AH96090	4D2	12	135 - 17	AR48236	1E19	37	30 - 15
AH77724	1G15	7	40 - 42	AH96090	4D2	15	135 - 17	AR49025	1C24	1	25 - 17
AH77724	3C10	23	90 - 35	AH96090	4D2	16	135 - 17	AR51481	3C6	1	90 - 31
AH77724	3D9	8	95 - 9	AH96090	4D2	20	135 - 17	AR54749	1C10	4	25 - 3
AH77869	2H18	12	70 - 59	AH96090	4D2	..	135 - 17	AR55394	1D10	16	25 - 30
AH77869	3D9	10	95 - 9	AH96317	1B11	8	20 - 9	AR56766	3C2	16	90 - 27
AH77884	3I20	31	125 - 5	AH96317	1H17	10	40 - 71	AR58952	1D10	15	25 - 30
AH78125	2H14	23	70 - 55	AH96317	2H14	1	70 - 55	AR58952	1E2	36	25 - 49
AH80335	3B10	13	90 - 9	AH96317	4D18	7	140 - 11	AR61533	1C12	17	25 - 5
AH80335	3D6	6	95 - 6	AH96317	4G25	8	150 - 37	AR61589	1C12	19	25 - 5
AH80335	4F17	11	150 - 3	AH96345	3D20	21	100 - 3	AR62407	1I2	1	40 - 81
AH80916	2C13	10	50 - 35	AH96446	4C18	9	135 - 9	AR65005	1F12	1	40 - 10
AH84695	2D8	25	50 - 59	AH96585	4F25	5	150 - 11	AR65006	1F12	2	40 - 10
AH85276	3J18	8	125 - 27	AH97031	4D25	7	140 - 19	AR75693	2E17	17	60 - 17

NUMERICAL INDEX - CONTINUED

PART NO.	GRID	KEY	PAGE	PART NO.	GRID	KEY	PAGE	PART NO.	GRID	KEY	PAGE
AR79549	1G12	17	40-39	AZ19427	3H14	5	110-27	BH78881	2D22	..	50-73
AR79550	1G12	11	40-39	AZ20216	2H2	15	70-43	BH78882	2B7	..	50-3
AR85519	1E7	22	30-3	AZ49013	3D24	15	100-7	BH79199	2F6	..	60-32
AR86539	2D2	3	50-51	AZ49144	2F11	2	70-1	BH79815	4C8	..	130-31
AR86539	2F5	4	60-31	AZ49370	3D24	17	100-7	BH79941	3H6	..	110-19
AR86745	1E15	7	30-11	AZ49371	3D24	21	100-7	BH80228	3H6	..	110-19
AR88903	1E9	12	30-5	AZ50073	2F24	8	70-15	BH80419	4C8	..	130-31
AR90861	4E16	19	140-37	AZ50073	2G2	8	70-17	BH80420	4C8	..	130-31
AR91793	1F9	42	40-7	AZ50073	2G4	8	70-19	BH80421	4C8	..	130-31
AR93173	1D4	6	25-23	AZ50073	2G5	19	70-20	BH80422	4C8	..	130-31
AR94522	2H10	6	70-51	AZ51438	3D24	35	100-7	BH80517	4B6	..	130-3
AR94522	2H16	32	70-57	AZ51851	2G9	36	70-25	BH80681	3C18	..	90-43
AR94522	2I4	16	70-71	AZ51851	2G12	24	70-28	BH80682	3C18	..	90-43
AR94522	4I20	14	160-27	A15147	3G20	2	110-9	BH80683	3C18	..	90-43
AR94761	2B20	6	50-17	A15147	4F21	3	150-7	BH81146	2B12	..	50-8
AR98850	1C17	9	25-10	A15147	4G8	18	150-19	BH81147	2B12	..	50-8
AT106413	1B13	10	20-11	A15719	4I4	5	160-9	BH81162	3G22	..	110-11
AT107509	1D2	11	25-21	A15898	2H16	36	70-57	BH81191	4E22	..	140-43
AT112176	1B25	10	20-23	A22724	4G20	9	150-31	BH81209	2B13	..	50-9
AT121137	4I7	8	160-12	A24915	1B23	5	20-21	BH81210	2B13	..	50-9
AT131716	1B25	11	20-23	A25695	3E4	15	100-13	BH81211	2B13	..	50-9
AT131716	1E23	3	30-19	A27238	1B23	3	20-21	BH81212	2B13	..	50-9
AT135291	4I20	8	160-27	A31867	2J17	11	80-37	BH81238	2B13	..	50-9
AT13740	1B13	6	20-11	A31867	3E4	9	100-13	BH81239	2B13	..	50-9
AT13740	1C12	4	25-5	A31869	4H2	7	150-39	BH81240	2B13	..	50-9
AT13740	1D17	17	25-39	A31870	3F16	9	100-49	BH81241	2B13	..	50-9
AT13740	1D19	1	25-41	A31870	3F18	14	100-51	BH81255	1F14	..	40-13
AT13740	1E13	4	30-9	A31870	3J16	23	125-25	BH81286	2D12	..	50-63
AT13740	1E19	15	30-15	A31871	3F2	3	100-35	BH81286	2D20	..	50-71
AT162597	1B13	9	20-11	A31871	4H2	15	150-39	BH81286	2D22	..	50-73
AT184336	4H25	6	160-5	A37553	3G4	8	100-63	BH81286	2D23	..	50-74
AT18904	1B23	2	20-21	A37576	3I4	5	120-13	BH81286	2D25	..	50-76
AT18904	1E19	13	30-15	A37576	3I6	10	120-15	BH81381	3H2	..	110-15
AT18904	1I4	5	40-83	A37576	3I10	5	120-19	BH81384	2H16	..	70-57
AT207952	1H2	13	40-55	A3917R	2C20	24	50-43	BH81401	4B14	..	130-11
AT209015	3B22	1	90-21	A3917R	4D2	11	135-17	BH81517	4B19	..	130-17
AT209024	3B22	14	90-21	A4365R	1C12	18	25-5	BH81518	3E10	..	100-19
AT209025	3B22	4	90-21	A44990	3E12	3	100-21	BH81522	2I20	..	80-15
AT209026	3B22	12	90-21	A44990	3E14	3	100-23	BH81537	2B12	..	50-8
AT209225	3B22	3	90-21	A44990	3E16	14	100-25	BH81538	2B13	..	50-9
AT22070	2J21	1	80-41	A44990	3J12	34	125-21	BH81539	2B13	..	50-9
AT22073	2J21	3	80-41	A4655R	2F24	21	70-15	BH81541	3G22	..	110-11
AT25226	2B11	5	50-7	A4655R	2G2	21	70-17	BH81578	1G12	..	40-39
AT25226	2B14	9	50-10	A4655R	2G4	21	70-19	BH81583	3C18	..	90-43
AT25226	2B15	7	50-11	A4655R	2G5	1	70-20	BH81584	3C18	..	90-43
AT28975	4D14	16	140-7	A4655R	2G9	1	70-25	BH81585	3C18	..	90-43
AT36212	2B12	8	50-8	A4655R	2G11	1	70-27	BH81586	1I4	..	40-83
AT37368	4D10	8	140-3	A4655R	2G12	1	70-28	BH81587	1I4	..	40-83
AT37476	1B25	6	20-23	A50325	4F4	15	140-49	BH81592	2B15	..	50-11
AT39043	3B6	1A	90-4	A50743	1H10	7	40-63	BH81599	1H4	..	40-57
AT39141	1B25	2	20-23	A50744	1B5	27	20-3	BH81623	2D8	..	50-59
AT40603	2B24	1	50-21	A51212	4B10	8	130-7	BH81623	2D22	..	50-73
AT63272	2C17	42	50-39	A51212	4B12	5	130-9	BH81704	2B9	..	50-5
AT66865	1C10	4	25-3	A51212	4B16	8	130-13	BH81705	2B9	..	50-5
AT73296	1B21	1	20-19	A60341	1E13	5	30-9	BH81706	2B9	..	50-5
AT74407	1E25	1	30-21	A60341	1E19	16	30-15	BH81742	3I24	..	125-9
AU40993	2D8	22	50-59	A63124	1H24	10	40-78	BH81742	4H11	..	155-7
AW14891	4D3	2	135-18	A63124	1H25	10	40-79	BH81742	4H13	..	155-9
AZ10044	1B5	36	20-3	A63127	1H24	11	40-78	BH81749	2B13	..	50-9
AZ10044	3H20	5	120-5	A63127	1H25	9	40-79	BH81750	2B13	..	50-9
AZ10044	3I20	3	125-5	A63635	1H24	12	40-78	BH81751	2B13	..	50-9
AZ10044	4F10	4	140-55	A63635	1H25	11	40-79	BH81752	2B13	..	50-9
AZ10044	4F10	12	140-55	BH71877	3G22	..	110-11	BH81758	3I24	..	125-9
AZ10045	3I18	4	125-3	BH71948	1G14	..	40-41	BH81758	4H9	..	155-5
AZ10045	3I20	9	125-5	BH78464	1G19	..	40-46	BH81758	4H11	..	155-7
AZ10045	3J16	3	125-25	BH78486	3H2	..	110-15	BH81760	3I24	..	125-9
AZ10045	3J20	13	125-29	BH78495	3H2	..	110-15	BH81760	4H9	..	155-5

NUMERICAL INDEX - CONTINUED

PART NO.	GRID	KEY	PAGE	PART NO.	GRID	KEY	PAGE	PART NO.	GRID	KEY	PAGE
BH81760	4H11	..	155 - 7	CE18206	2E13	22	60 - 13	E62942	2F24	19	70 - 15
BH81792	2B14	..	50 - 10	CE18206	4I16	22	160 - 23	E62942	2G2	19	70 - 17
BH81793	2B14	..	50 - 10	CE18278	4G12	4	150 - 23	E62942	2G4	19	70 - 19
BH81794	2B14	..	50 - 10	CE18374	2B18	8	50 - 14	E62942	2G5	2	70 - 20
BH81795	2B14	..	50 - 10	CE18399	4D16	37	140 - 9	E62942	2G9	2	70 - 25
BH81796	2B15	..	50 - 11	CE18400	4D22	22	140 - 15	E62942	2G11	2	70 - 27
BH81797	2B15	..	50 - 11	CE18401	4G12	5	150 - 23	E62942	2G12	2	70 - 28
BH81798	2B15	..	50 - 11	CE18403	4D14	2	140 - 7	E63018	3H18	22	120 - 3
BH81799	2B15	..	50 - 11	C16054	2G17	6	70 - 33	E64256	2E3	36	60 - 3
BH81801	2B5	..	50 - 1	C16071	2B7	..	50 - 3	E64256	3I22	14	125 - 7
BH81801	2B14	..	50 - 10	C3203E	2J9	12	80 - 29	E64256	4B6	13	130 - 3
BH81867	2B10	..	50 - 6	C3203E	2J11	9	80 - 31	E64256	4H2	14	150 - 39
BH81868	2B10	..	50 - 6	C3936E	2B24	2	50 - 21	E65288	2C18	25	50 - 40
BH81875	2B10	..	50 - 6	DE18568	4D16	25	140 - 9	E65288	2F17	2	70 - 7
BP12946	3G10	3	100 - 69	DE18568	4D18	25	140 - 11	E66618	2G9	24	70 - 25
BP13616	2H2	13	70 - 43	DE18609	4D14	1	140 - 7	E66619	2G9	19	70 - 25
BP13620	3E2	22	100 - 11	DE18716	4D14	..	140 - 7	E73240	3E12	31	100 - 21
BP13620	4E16	29	140 - 37	DE18716	4D16	..	140 - 9	E76584	3F18	1	100 - 51
B10604	4E14	3	140 - 35	DE18716	4D18	..	140 - 11	E81185	3E22	29	100 - 31
B27370	4F17	12	150 - 3	DE18718	4D14	12	140 - 7	E82510	3C18	18	90 - 43
B28970	4B14	7	130 - 11	DE18718	4D18	1	140 - 11	E82510	4J2	1	170 - 5
B28970	4B20	9	130 - 18	DE18750	4I12	12	160 - 19	E82575	4J19	..	170 - 22
B2984R	1C3	2	20 - 26	DE18970	4G12	3	150 - 23	E83620	2G9	18	70 - 25
B2984R	2H2	14	70 - 43	DE19018	4D16	31	140 - 9	F1743R	1C12	11	25 - 5
B3118R	3D20	8	100 - 3	DE19067	4G12	10	150 - 23	F2863	3B25	35	90 - 25
B3118R	4E10	8	140 - 31	DE19111	3J4	14	125 - 13	F3220R	1G14	22	40 - 41
B32564	2E13	23	60 - 13	DE19111	3J4	20	125 - 13	F3450R	4I21	4	160 - 28
B32564	4I16	23	160 - 23	DE19111	3J4	24	125 - 13	GG310-30411	2F17	1	70 - 7
B32630	1H13	2	40 - 66	DE19111	3J4	25	125 - 13	HZ5621H	2I14	14	80 - 9
B32630	3C18	10	90 - 43	DE19159	4I12	37	160 - 19	H100027	4G14	16	150 - 25
B3690R	3C6	36	90 - 31	DE19160	4I12	36	160 - 19	H100027	4G16	16	150 - 27
CA25242	4I7	11	160 - 12	DS0251	1C10	..	25 - 3	H100245	3F21	22	100 - 55
CE16623	4I12	15	160 - 19	DS0557	1C10	..	25 - 3	H100246	3F21	21	100 - 55
CE16624	4I12	15	160 - 19	ET15766	1G10	14	40 - 37	H100247	3F21	19	100 - 55
CE16625	4I12	15	160 - 19	E10018	3H18	38	120 - 3	H101195	4C18	18	135 - 9
CE16800	4G12	7	150 - 23	E10018	3I18	6	125 - 3	H101223	4C18	17	135 - 9
CE16825	4I12	15	160 - 19	E10018	3J14	5	125 - 23	H101297	3J12	15	125 - 21
CE17450	4D18	5	140 - 11	E10018	3J16	4	125 - 25	H101448	3F21	12	100 - 55
CE17451	4D18	5	140 - 11	E10018	3J20	14	125 - 29	H101677	3F2	8	100 - 35
CE17452	4D18	5	140 - 11	E10018	4E18	42	140 - 39	H101677	3F4	5	100 - 37
CE17453	4D18	5	140 - 11	E12305	4E3	22	140 - 23	H101878	4D14	28	140 - 7
CE17685	4I12	8	160 - 19	E12379	3H8	22	110 - 21	H102206	2F3	4	60 - 29
CE17844	4D18	8	140 - 11	E12379	3H12	11	110 - 25	H102497	3F4	4	100 - 37
CE17888	4D16	6	140 - 9	E12379	4G8	5	150 - 19	H102533	3H18	40	120 - 3
CE17914	4I12	24	160 - 19	E12379	4H25	7	160 - 5	H102533	4D25	36	140 - 19
CE17915	4I12	10	160 - 19	E1343FN	1C17	1	25 - 10	H102533	4E18	43	140 - 39
CE17916	4I12	6	160 - 19	E18993	4E8	6	140 - 29	H102909	4G22	7	150 - 33
CE17917	4I12	29	160 - 19	E46013	4B19	20	130 - 17	H103167	2B22	8	50 - 19
CE17918	4I12	18	160 - 19	E47782	3H2	10	110 - 15	H103264	1B5	37	20 - 3
CE17919	4I12	23	160 - 19	E50096	3G16	11	110 - 5	H103264	3H18	15	120 - 3
CE17920	4I12	22	160 - 19	E50096	3G18	10	110 - 7	H103264	3I20	4	125 - 5
CE17921	4I12	31	160 - 19	E53699	3D24	12	100 - 7	H103264	4F10	5	140 - 55
CE17922	4I12	20	160 - 19	E53699	3E2	12	100 - 11	H103264	4F10	13	140 - 55
CE17923	4I12	7	160 - 19	E55662	1D23	4	25 - 45	H103264	4G18	15	150 - 29
CE17924	4I12	7	160 - 19	E55662	1H8	1	40 - 61	H103265	3H14	4	110 - 27
CE17925	4I12	7	160 - 19	E55662	4G8	8	150 - 19	H103265	4G22	8	150 - 33
CE17926	4I12	7	160 - 19	E55758	2C25	20	50 - 49	H103265	4H2	33	150 - 39
CE17927	4I12	27	160 - 19	E56866	4D22	16	140 - 15	H103543	2B14	1	50 - 10
CE17939	4I12	4	160 - 19	E59406	2H2	10	70 - 43	H103543	2B15	3	50 - 11
CE17940	4D16	5	140 - 9	E61791	2G25	1	70 - 41	H104075	2E3	31	60 - 3
CE18015	3J4	17	125 - 13	E62089	2G9	6	70 - 25	H104418	2B24	24	50 - 21
CE18074	4G12	8	150 - 23	E62089	2G11	6	70 - 27	H104418	2C2	25	50 - 23
CE18075	4G12	9	150 - 23	E62089	2G12	6	70 - 28	H104793	4F6	37	140 - 51
CE18104	4D18	28	140 - 11	E62094	2G12	14	70 - 28	H104794	4F6	36	140 - 51
CE18118	4I12	35	160 - 19	E62892	2F24	6	70 - 15	H104795	3H18	27	120 - 3
CE18181	4D16	7	140 - 9	E62892	2G2	6	70 - 17	H104796	3H18	28	120 - 3
CE18201	2B22	1	50 - 19	E62892	2G4	6	70 - 19	H104855	1F7	9	40 - 5

NUMERICAL INDEX - CONTINUED

PART NO.	GRID	KEY	PAGE	PART NO.	GRID	KEY	PAGE	PART NO.	GRID	KEY	PAGE
H104855	1F16	12	40 - 15	H111261	4E3	1	140 - 23	H114134	4E16	24	140 - 37
H105005	2E3	32	60 - 3	H111262	4E3	1	140 - 23	H114142	3D5	18	95 - 5
H105005	2E5	16	60 - 5	H111364	3B25	2	90 - 25	H114226	4D22	14	140 - 15
H105519	3J12	16	125 - 21	H111364	3B25	4	90 - 25	H114227	4D22	14	140 - 15
H105578	4E18	57	140 - 39	H111364	3C2	13	90 - 27	H114228	4D22	14	140 - 15
H105584	3F2	29	100 - 35	H111364	3C25	2	90 - 51	H114270	4J10	11	170 - 13
H105590	3F2	9	100 - 35	H111378	2G21	1	70 - 37	H114320	4J19	..	170 - 22
H105822	2B12	2	50 - 8	H111474	4D16	13	140 - 9	H114330	2E5	13	60 - 5
H106000	1I4	4	40 - 83	H111478	3C19	18	90 - 44	H114331	2E5	10	60 - 5
H106073	3E2	25	100 - 11	H111500	2B12	3	50 - 8	H114395	4G20	10	150 - 31
H106246	3C2	6	90 - 27	H111538	4J18	3	170 - 21	H114411	1G16	8	40 - 43
H106246	3C14	1	90 - 39	H111541	4J18	3	170 - 21	H114432	1B23	15	20 - 21
H107389	4E10	16	140 - 31	H111705	3C25	3	90 - 51	H114432	2H6	10	70 - 47
H107504	2B6	9	50 - 2	H111706	3C2	30	90 - 27	H114523	3D9	3	95 - 9
H107504	2B9	12	50 - 5	H111706	3C25	4	90 - 51	H114525	3D9	2	95 - 9
H107504	2B17	1	50 - 13	H111730	2D10	21	50 - 61	H114535	4B6	9	130 - 3
H107566	3B16	18	90 - 15	H111730	2D18	2	50 - 69	H114536	4B6	15	130 - 3
H107566	3C4	4	90 - 29	H111730	2E21	20	60 - 21	H114537	4B6	10	130 - 3
H107567	3C4	33	90 - 29	H111730	2F13	11	70 - 3	H114538	4B6	14	130 - 3
H107570	3C4	50	90 - 29	H112162	2H8	14	70 - 49	H114603	3C19	19	90 - 44
H107582	3C4	28	90 - 29	H112567	1B23	12	20 - 21	H114687	4E3	34	140 - 23
H107584	3C4	29	90 - 29	H112567	2D10	20	50 - 61	H114688	4E3	38	140 - 23
H107586	3C4	51	90 - 29	H112567	2D18	3	50 - 69	H114689	4E3	44	140 - 23
H107687	3C4	8	90 - 29	H112567	2D20	13	50 - 71	H114738	4H2	42	150 - 39
H107687	3C6	12	90 - 31	H112567	2D23	5	50 - 74	H114865	2D20	11	50 - 71
H108291	4C24	14	135 - 15	H112567	2E19	11	60 - 19	H114865	2D23	4	50 - 74
H108291	4C24	19	135 - 15	H112567	2E21	21	60 - 21	H114865	2F15	21	70 - 5
H108604	4J18	3	170 - 21	H112567	2F13	10	70 - 3	H114873	4G18	5	150 - 29
H108605	4J18	3	170 - 21	H112567	2F15	20	70 - 5	H114876	2D14	10	50 - 65
H108725	3C4	24	90 - 29	H112567	2F21	4	70 - 11	H114897	1B23	13	20 - 21
H108745	4G4	10	150 - 15	H112567	2H6	15	70 - 47	H114897	2D18	25	50 - 69
H108822	3C6	34	90 - 31	H112567	2H10	11	70 - 51	H114897	2H6	14	70 - 47
H108889	3G8	4	100 - 67	H112567	2I2	5	70 - 69	H114898	2D20	15	50 - 71
H109046	2E21	18	60 - 21	H112567	2I4	7	70 - 71	H114901	2D10	13	50 - 61
H109046	2F13	6	70 - 3	H112567	4C14	7	135 - 5	H114901	2D16	2	50 - 67
H109046	2H16	23	70 - 57	H112567	4C16	14	135 - 7	H114901	2D18	9	50 - 69
H109254	2E7	15	60 - 7	H112567	4C18	3	135 - 9	H114901	2D20	16	50 - 71
H109716	2E3	26	60 - 3	H112877	4E3	21	140 - 23	H115031	3D3	2	95 - 3
H109855	3F2	7	100 - 35	H112910	2E7	7	60 - 7	H115140	2B7	8	50 - 3
H110168	4E8	2	140 - 29	H112911	2E7	3	60 - 7	H115140	2B8	7	50 - 4
H110168	4G8	3	150 - 19	H113053	4F25	9	150 - 11	H115521	3D3	10	95 - 3
H110168	4G12	11	150 - 23	H113063	4E3	27	140 - 23	H115521	3D5	4	95 - 5
H110229	3C4	6	90 - 29	H113196	2D22	17	50 - 73	H115533	2E21	23	60 - 21
H110232	2E3	14	60 - 3	H113208	4E3	19	140 - 23	H115533	2H8	2	70 - 49
H110237	4D25	33	140 - 19	H113238	4E3	23	140 - 23	H115533	2H10	18	70 - 51
H110310	3C4	5	90 - 29	H113238	4F25	18	150 - 11	H115755	4D25	19	140 - 19
H110337	4E3	35	140 - 23	H113402	3C4	19	90 - 29	H115881	4E1	4	140 - 20
H110462	4E3	26	140 - 23	H113404	3C4	18	90 - 29	H115881	4E3	39	140 - 23
H110521	4E3	24	140 - 23	H113625	3H8	15	110 - 21	H115881	4E10	20	140 - 31
H110539	2B20	31	50 - 17	H113625	3H20	20	120 - 5	H115881	4K4	6	170 - 31
H110539	2B22	15	50 - 19	H113626	3H8	17	110 - 21	H115930	4D25	12	140 - 19
H110542	4E4	6	140 - 24	H113626	3H20	23	120 - 5	H116065	3F18	4	100 - 51
H110700	3C4	21	90 - 29	H113627	4E3	9	140 - 23	H116065	4E12	8	140 - 33
H110728	3D20	15	100 - 3	H113863	3C6	16	90 - 31	H116160	1G24	..	40 - 52
H110800	4D18	10	140 - 11	H113864	3C4	14	90 - 29	H116188	3C14	5	90 - 39
H110801	4D18	12	140 - 11	H113892	3E6	9	100 - 15	H116213	2F17	9	70 - 7
H110812	3C6	13	90 - 31	H113946	4E3	32	140 - 23	H116213	2G25	10	70 - 41
H110842	3C14	9	90 - 39	H113947	4E3	7	140 - 23	H116262	4H2	10	150 - 39
H110842	3C25	1	90 - 51	H114001	4B14	21	130 - 11	H116292	4G18	2	150 - 29
H110842	3D8	6	95 - 8	H114001	4E4	9	140 - 24	H116351	4G8	9	150 - 19
H110922	3D20	10	100 - 3	H114020	1H12	11	40 - 65	H116639	4J18	3	170 - 21
H110922	3G8	2	100 - 67	H114020	2H23	10	70 - 65	H116640	4J18	3	170 - 21
H110923	4J12	1	170 - 15	H114038	3C14	2	90 - 39	H116706	2G15	9	70 - 31
H111041	4E3	2	140 - 23	H114038	3C16	19	90 - 41	H116717	2H12	2	70 - 53
H111042	4E3	28	140 - 23	H114038	3C25	5	90 - 51	H116717	2H14	10	70 - 55
H111234	2E5	15	60 - 5	H114046	3D5	5	95 - 5	H116717	2H16	3	70 - 57
H111260	4E3	1	140 - 23	H114100	4E16	31	140 - 37	H116740	1B11	19	20 - 9

NUMERICAL INDEX - CONTINUED

PART NO.	GRID	KEY	PAGE	PART NO.	GRID	KEY	PAGE	PART NO.	GRID	KEY	PAGE
H116740	1G23	7	40-51	H121163	2G23	8	70-39	H125528	4E10	9	140-31
H116861	4E6	5	140-27	H121163	2H12	8	70-53	H125560	4E20	17	140-41
H116862	3E8	16	100-17	H121163	2H16	5	70-57	H125670	4F23	15	150-9
H116862	4E6	4	140-27	H121163	4G4	16	150-15	H125671	4F23	20	150-9
H117239	3C14	35	90-39	H121168	2E19	27	60-19	H125733	4D16	27	140-9
H117692	4B23	8	130-21	H121168	2E21	5	60-21	H125734	4D18	24	140-11
H117694	4B23	12	130-21	H121168	2E25	5	60-25	H125735	4D18	24	140-11
H117696	4B23	5	130-21	H121168	2F13	7	70-3	H125736	4D18	24	140-11
H117703	4E3	15	140-23	H121168	2G15	11	70-31	H125737	4D18	24	140-11
H117937	2G15	5	70-31	H121168	2H14	16	70-55	H125738	4D18	17	140-11
H117937	4C24	29	135-15	H121168	2H16	25	70-57	H125740	4D14	18	140-7
H117952	1E13	11	30-9	H121168	2H16	30	70-57	H125740	4D16	26	140-9
H117952	1F24	..	40-25	H121168	2I2	20	70-69	H125741	4D14	18	140-7
H117952	1G2	..	40-29	H121168	4C14	4	135-5	H125741	4D16	26	140-9
H117953	1E21	11	30-17	H121168	4C16	21	135-7	H125742	4D14	18	140-7
H117953	3G14	5	110-3	H121168	4C24	13	135-15	H125742	4D16	26	140-9
H118082	4E3	12	140-23	H121391	2I18	7	80-13	H125743	4D14	18	140-7
H118166	3C2	4	90-27	H121391	4F17	34	150-3	H125743	4D16	26	140-9
H118426	1F21	51	40-21	H121472	2B8	9	50-4	H125752	4F23	14	150-9
H118426	1F21	52	40-21	H121472	2D22	11	50-73	H125753	4F23	12	150-9
H118616	4E10	18	140-31	H121574	4B23	16	130-21	H125769	3B14	7	90-13
H118617	4D25	24	140-19	H121575	4B23	11	130-21	H125837	4D18	22	140-11
H118618	4E3	39	140-23	H121576	4B23	15	130-21	H125838	4D14	17	140-7
H118618	4K4	6	170-31	H121681	4D22	29	140-15	H125838	4D22	13	140-15
H118619	3D5	19	95-5	H122182	2D10	3	50-61	H125838	4D22	30	140-15
H118871	3D5	13	95-5	H122182	2D12	3	50-63	H125839	4D18	4	140-11
H118872	3D5	14	95-5	H122182	2D14	6	50-65	H125929	2F17	12	70-7
H118882	2C9	21	50-31	H122182	2D18	5	50-69	H125930	3B6	3A	90-4
H118906	4D12	22	140-5	H122372	3H20	11	120-5	H126026	4D12	7	140-5
H118919	4D22	28	140-15	H122650	4D18	11	140-11	H126028	4D12	34	140-5
H118920	4D22	27	140-15	H122772	2H10	10	70-51	H126081	3B16	2	90-15
H118927	4D22	14	140-15	H122772	2I4	8	70-71	H126082	3B16	3	90-15
H118948	3J18	17	125-27	H122772	4C16	13	135-7	H126083	3B16	4	90-15
H119007	3B25	15	90-25	H122772	4C18	4	135-9	H126123	2C13	8	50-35
H119028	4D16	22	140-9	H123297	1B13	11	20-11	H126124	2C13	7	50-35
H119029	4D16	22	140-9	H123351	4J10	14	170-13	H126169	3E8	8	100-17
H119030	4D16	22	140-9	H123351	4J12	9	170-15	H126261	3G6	6	100-65
H119031	4D16	22	140-9	H123633	3E18	23	100-27	H126280	4G22	10	150-33
H119210	4E8	9	140-29	H123734	3F8	9	100-41	H126302	3G6	11	100-65
H119362	3D5	20	95-5	H123740	3B12	21	90-11	H126334	4B6	2	130-3
H119411	2J9	5	80-29	H123794	3B14	5	90-13	H126335	4B6	1	130-3
H119566	4G18	9	150-29	H123796	3B12	25	90-11	H126336	4B6	6	130-3
H119567	4G18	9	150-29	H123874	3C4	20	90-29	H126345	3E4	11	100-13
H119568	4G18	9	150-29	H123875	3C4	25	90-29	H126345	3G6	12	100-65
H119709	3F2	11	100-35	H123918	4C4	11	130-27	H126345	3G8	3	100-67
H119710	3F2	2	100-35	H123991	3B12	12	90-11	H126345	4K6	5	170-33
H119710	3F4	2	100-37	H123995	3B12	18	90-11	H126346	3E4	19	100-13
H119996	4G20	13	150-31	H123995	3C25	7	90-51	H126370	3E4	25	100-13
H120082	2J9	13	80-29	H123998	3D5	8	95-5	H126371	3E4	24	100-13
H120198	4F4	25	140-49	H124185	3D3	11	95-3	H126371	3E6	2	100-15
H120198	4F6	41	140-51	H124205	1G21	9	40-49	H126371	3G2	29	100-61
H120362	2I2	3	70-69	H124210	3B10	15	90-9	H126397	3E10	3	100-19
H120379	2I8	19	80-3	H124258	2E3	18	60-3	H126564	4D22	15	140-15
H120388	2E5	6	60-5	H124258	2E5	8	60-5	H126572	2B24	12	50-21
H120389	2E5	5	60-5	H124259	2E5	7	60-5	H126572	2C2	14	50-23
H120490	4E3	17	140-23	H124260	3B8	10	90-7	H126573	2B24	12	50-21
H120499	4F17	10	150-3	H125330	2C9	16	50-31	H126573	2C2	14	50-23
H120847	2E19	26	60-19	H125347	1G23	4	40-51	H126575	2B24	12	50-21
H120847	2E21	4	60-21	H125354	4D16	10	140-9	H126575	2C2	14	50-23
H120847	2F15	7	70-5	H125356	4D16	19	140-9	H126589	3D5	28	95-5
H120847	2H14	17	70-55	H125356	4D18	15	140-11	H126590	3D5	3	95-5
H120847	2H16	31	70-57	H125391	4E10	18	140-31	H126722	4E3	41	140-23
H120847	2I2	19	70-69	H125403	3F19	5	100-52	H126792	4D18	29	140-11
H121134	4E8	4	140-29	H125466	1B15	1	20-13	H126793	4D18	30	140-11
H121163	2D20	21	50-71	H125467	1B15	2	20-13	H126801	4G23	1	150-34
H121163	2E23	5	60-23	H125511	3B10	3	90-9	H126802	4G23	7	150-34
H121163	2E25	14	60-25	H125518	3C10	1	90-35	H126804	4G23	12	150-34

NUMERICAL INDEX - CONTINUED

PART NO.	GRID	KEY	PAGE	PART NO.	GRID	KEY	PAGE	PART NO.	GRID	KEY	PAGE
H126829	4E3	40	140 - 23	H128357	4B12	2	130 - 9	H129935	4D14	39	140 - 7
H126941	3H8	10	110 - 21	H128358	4B8	2	130 - 5	H130040	3E22	18	100 - 31
H127067	4J19	..	170 - 22	H128358	4B10	2	130 - 7	H130137	4F25	15	150 - 11
H127068	4J19	..	170 - 22	H128358	4B12	2	130 - 9	H130140	4D14	10	140 - 7
H127070	4J19	..	170 - 22	H128359	4B8	2	130 - 5	H130223	2B8	12	50 - 4
H127073	4J19	..	170 - 22	H128359	4B10	2	130 - 7	H130224	2B8	11	50 - 4
H127074	4J12	13	170 - 15	H128359	4B12	2	130 - 9	H130227	2F7	5	60 - 33
H127074	4J19	..	170 - 22	H128479	4G11	8	150 - 22	H130228	2F7	9	60 - 33
H127075	4J19	..	170 - 22	H128502	1B9	12	20 - 7	H130262	4F17	31	150 - 3
H127078	4J19	..	170 - 22	H128515	2D20	22	50 - 71	H130287	2B9	7	50 - 5
H127159	4D14	9	140 - 7	H128515	2E23	4	60 - 23	H130287	2B10	5	50 - 6
H127196	4D25	18	140 - 19	H128515	2E25	15	60 - 25	H130287	4H23	4	160 - 3
H127250	4F23	9	150 - 9	H128515	2G23	7	70 - 39	H130288	2B9	8	50 - 5
H127524	3H18	30	120 - 3	H128515	2H12	7	70 - 53	H130288	2B10	6	50 - 6
H127525	3H18	42	120 - 3	H128515	2H16	6	70 - 57	H130288	4H23	3	160 - 3
H127532	3H16	4	120 - 1	H128515	4G4	17	150 - 15	H130298	1H23	5	40 - 77
H127578	1E19	38	30 - 15	H128820	1G14	10	40 - 41	H130298	3C25	12	90 - 51
H127583	4B25	34	130 - 23	H128821	1G14	12	40 - 41	H130299	1H23	4	40 - 77
H127583	4E8	22	140 - 29	H128823	1G14	25	40 - 41	H130301	3B12	22	90 - 11
H127589	2D20	20	50 - 71	H128841	1G14	18	40 - 41	H130355	3H20	14	120 - 5
H127589	2H12	24	70 - 53	H128859	1G14	26	40 - 41	H130388	4C8	19	130 - 31
H127589	2H16	6	70 - 57	H128859	3C25	8	90 - 51	H130407	2B24	6	50 - 21
H127589	4C16	16	135 - 7	H128861	4G2	1	150 - 13	H130409	4D20	12	140 - 13
H127590	4E3	18	140 - 23	H128877	3I22	7	125 - 7	H130432	2J19	5	80 - 39
H127596	4E8	17	140 - 29	H128937	4D16	38	140 - 9	H130529	3F12	1	100 - 45
H127604	3G8	26	100 - 67	H129094	4J19	..	170 - 22	H130572	3H8	25	110 - 21
H127638	4F17	2	150 - 3	H129099	4J19	..	170 - 22	H130637	1G19	1	40 - 46
H127677	4F19	22	150 - 5	H129125	4F6	11	140 - 51	H130646	3C8	9	90 - 33
H127749	3C8	17	90 - 33	H129207	3G2	13	100 - 61	H130661	3J12	20	125 - 21
H127752	2E7	10	60 - 7	H129207	3J18	5	125 - 27	H130695	3H20	16	120 - 5
H127855	4E3	13	140 - 23	H129207	4E14	17	140 - 35	H130771	4G2	8	150 - 13
H127872	3J18	4	125 - 27	H129207	4E20	18	140 - 41	H130826	3E18	17	100 - 27
H127922	4G20	5	150 - 31	H129208	3E8	17	100 - 17	H130922	3I2	10	120 - 11
H127923	4G20	4	150 - 31	H129208	4F4	6	140 - 49	H130930	2J7	3	80 - 26
H127978	3D5	23	95 - 5	H129311	4E16	4	140 - 37	H130948	4B6	16	130 - 3
H127998	4G14	16	150 - 25	H129312	4E16	2	140 - 37	H130949	4B6	8	130 - 3
H127998	4G16	16	150 - 27	H129328	4D12	20	140 - 5	H130956	4F11	3	140 - 56
H128010	4D25	20	140 - 19	H129367	3C2	22	90 - 27	H130957	4F11	4	140 - 56
H128010	4E14	1	140 - 35	H129471	4G23	4	150 - 34	H131017	2J13	21	80 - 33
H128010	4K2	2	170 - 29	H129472	4G23	3	150 - 34	H131040	3C10	6	90 - 35
H128080	4B8	1	130 - 5	H129525	2B20	34	50 - 17	H131041	3C10	7	90 - 35
H128080	4B10	1	130 - 7	H129557	2C9	20	50 - 31	H131087	3F8	13	100 - 41
H128080	4B12	1	130 - 9	H129558	2B22	21	50 - 19	H131088	3F8	15	100 - 41
H128081	4B8	1	130 - 5	H129564	2B20	26	50 - 17	H131098	4E18	33	140 - 39
H128081	4B10	1	130 - 7	H129564	2B22	11	50 - 19	H131108	3H16	1	120 - 1
H128081	4B12	1	130 - 9	H129565	2B20	27	50 - 17	H131115	2D14	14	50 - 65
H128082	4B8	1	130 - 5	H129588	4F19	16	150 - 5	H131115	2D18	24	50 - 69
H128082	4B10	1	130 - 7	H129588	4G25	2	150 - 37	H131115	2E21	14	60 - 21
H128082	4B12	1	130 - 9	H129606	3D9	1	95 - 9	H131115	2F15	5	70 - 5
H128083	4B6	11	130 - 3	H129610	3C19	17	90 - 44	H131115	2G15	19	70 - 31
H128083	4B6	20	130 - 3	H129653	4F25	20	150 - 11	H131115	2H6	18	70 - 47
H128083	4B8	1	130 - 5	H129659	3F2	6	100 - 35	H131115	2H12	22	70 - 53
H128083	4B10	1	130 - 7	H129709	2B7	7	50 - 3	H131115	2H16	22	70 - 57
H128083	4B12	1	130 - 9	H129709	2B8	6	50 - 4	H131115	4C24	21	135 - 15
H128084	3F12	14	100 - 45	H129716	3F14	18	100 - 47	H131155	2D14	11	50 - 65
H128111	2H2	23	70 - 43	H129716	4F25	11	150 - 11	H131163	2D20	27	50 - 71
H128234	3H14	15	110 - 27	H129760	3C19	15	90 - 44	H131163	2E21	3	60 - 21
H128234	4B25	32	130 - 23	H129761	3C19	4	90 - 44	H131163	2H16	7	70 - 57
H128234	4K6	7	170 - 33	H129763	3C19	7	90 - 44	H131169	4E18	..	140 - 39
H128265	3J16	21	125 - 25	H129765	4D12	23	140 - 5	H131169	4K2	4	170 - 29
H128265	4E18	32	140 - 39	H129839	2J17	13	80 - 37	H131170	4E18	11	140 - 39
H128297	4E1	5	140 - 20	H129844	4D22	20	140 - 15	H131186	3C4	31	90 - 29
H128315	4J12	17	170 - 15	H129854	2C9	17	50 - 31	H131227	4F19	14	150 - 5
H128327	4E20	5	140 - 41	H129885	4F19	1	150 - 5	H131228	4D20	2	140 - 13
H128357	4B8	2	130 - 5	H129887	3D3	21	95 - 3	H131230	4F19	4	150 - 5
H128357	4B8	3	130 - 5	H129887	3D5	15	95 - 5	H131256	4G10	3	150 - 21
H128357	4B10	2	130 - 7	H129934	4D14	35	140 - 7	H131259	4G10	12	150 - 21

NUMERICAL INDEX - CONTINUED

PART NO.	GRID	KEY	PAGE	PART NO.	GRID	KEY	PAGE	PART NO.	GRID	KEY	PAGE
H131261	4G10	9	150 - 21	H132541	3H4	14	110 - 17	H133178	4G8	14	150 - 19
H131262	4G11	6	150 - 22	H132542	4F17	23	150 - 3	H133199	4E24	4	140 - 45
H131263	4G11	1	150 - 22	H132554	2B24	11	50 - 21	H133202	2B24	14	50 - 21
H131264	4F19	3	150 - 5	H132554	2C2	12	50 - 23	H133202	2C2	15	50 - 23
H131296	2B20	11	50 - 17	H132597	1G12	8	40 - 39	H133205	3C4	1	90 - 29
H131297	2B20	14	50 - 17	H132618	2B22	13	50 - 19	H133205	3C6	14	90 - 31
H131300	3B8	12	90 - 7	H132662	4F19	42	150 - 5	H133210	3C8	7	90 - 33
H131319	3I8	1	120 - 17	H132666	4F17	32	150 - 3	H133219	3B16	17	90 - 15
H131356	4G8	23	150 - 19	H132686	1I3	7	40 - 82	H133229	2B9	15	50 - 5
H131424	3B25	22	90 - 25	H132687	1I3	3	40 - 82	H133229	2B10	8	50 - 6
H131424	3C25	15	90 - 51	H132687	1I5	6	40 - 84	H133229	2C3	2	50 - 24
H131482	4E12	5	140 - 33	H132800	1H10	4	40 - 63	H133287	3I12	4	120 - 21
H131485	4E12	11	140 - 33	H132812	1G15	10	40 - 42	H133288	3I12	2	120 - 21
H131543	2I24	4	80 - 19	H132813	1G15	10	40 - 42	H133351	2E13	27	60 - 13
H131574	3B8	17	90 - 7	H132825	3E4	7	100 - 13	H133351	4I16	27	160 - 23
H131595	1G12	19	40 - 39	H132892	2B20	12	50 - 17	H133384	1H24	2	40 - 78
H131604	3H10	23	110 - 23	H132892	2B22	3	50 - 19	H133384	1H25	2	40 - 79
H131607	3H10	24	110 - 23	H132893	2B20	12	50 - 17	H133384	1I1	2	40 - 80
H131608	3H10	25	110 - 23	H132893	2B22	3	50 - 19	H133384	1I2	5	40 - 81
H131628	4F19	45	150 - 5	H132894	2B20	12	50 - 17	H133391	3B8	2	90 - 7
H131638	3J20	18	125 - 29	H132894	2B22	3	50 - 19	H133414	3B16	5	90 - 15
H131639	3J20	17	125 - 29	H132895	3C6	7	90 - 31	H133489	4E22	27	140 - 43
H131661	3H10	22	110 - 23	H132897	3C6	27	90 - 31	H133514	3C19	10	90 - 44
H131673	4F17	20	150 - 3	H132899	3C6	20	90 - 31	H133579	4G20	15	150 - 31
H131674	4F17	17	150 - 3	H132899	3C25	16	90 - 51	H133598	3I2	17	120 - 11
H131675	4F17	15	150 - 3	H132900	1H23	1	40 - 77	H133598	3I8	22	120 - 17
H131743	1E21	13	30 - 17	H132900	1I3	5	40 - 82	H133598	4E18	56	140 - 39
H131754	2B9	16	50 - 5	H132900	1I5	3	40 - 84	H133599	3I2	13	120 - 11
H131754	2B10	9	50 - 6	H132901	4F6	12	140 - 51	H133600	3I8	21	120 - 17
H131754	2C3	5	50 - 24	H132902	4F8	6	140 - 53	H133601	3I8	21	120 - 17
H131865	4C2	3	130 - 25	H132906	3J16	6	125 - 25	H133602	3I2	13	120 - 11
H131878	3G22	14	110 - 11	H132926	2I8	20	80 - 3	H133603	4E18	47	140 - 39
H131948	1B5	24	20 - 3	H132937	2H2	11A	70 - 43	H133621	4E18	52	140 - 39
H131949	1B5	22	20 - 3	H132938	2H2	16	70 - 43	H133635	2B9	10	50 - 5
H131982	3B12	8	90 - 11	H132948	2I24	11	80 - 19	H133635	4H23	7	160 - 3
H131986	3H4	27	110 - 17	H132970	4D12	19	140 - 5	H133636	3C10	9	90 - 35
H131987	3H4	29	110 - 17	H132976	4F6	14	140 - 51	H133645	1G19	2	40 - 46
H131988	3H2	17	110 - 15	H132986	3F6	28	100 - 39	H133659	2D10	22	50 - 61
H131989	3H2	18	110 - 15	H132988	3F6	25	100 - 39	H133659	2D18	1	50 - 69
H132008	2I24	21	80 - 19	H132995	4D18	19	140 - 11	H133659	2E21	19	60 - 21
H132024	4F17	9	150 - 3	H133010	2B22	10	50 - 19	H133659	2F13	5	70 - 3
H132057	3G24	11	110 - 13	H133026	4H2	17	150 - 39	H133660	3C10	8	90 - 35
H132057	3G24	..	110 - 13	H133031	4F11	8	140 - 56	H133662	3C10	14	90 - 35
H132057	3H4	4	110 - 17	H133042	2J6	21	80 - 25	H133665	3B8	9	90 - 7
H132097	4G11	5	150 - 22	H133047	3C10	20	90 - 35	H133666	3B8	11	90 - 7
H132160	3I6	5	120 - 15	H133051	1B25	5	20 - 23	H133667	4E14	7	140 - 35
H132161	3H24	2	120 - 9	H133060	2E19	8	60 - 19	H133669	2D22	16	50 - 73
H132161	3I6	5	120 - 15	H133060	3F6	24	100 - 39	H133675	4D10	13	140 - 3
H132208	4E18	10	140 - 39	H133081	3H20	30	120 - 5	H133688	4G25	10	150 - 37
H132208	4E22	19	140 - 43	H133089	2C9	30	50 - 31	H133690	4G25	12	150 - 37
H132288	3H22	3	120 - 7	H133089	2C11	2	50 - 33	H133690	4H2	31	150 - 39
H132288	3I4	2	120 - 13	H133092	2C9	9	50 - 31	H133768	3I14	5	120 - 23
H132289	3I10	2	120 - 19	H133092	2C11	5	50 - 33	H133789	3I14	9	120 - 23
H132290	3I6	3	120 - 15	H133094	2C9	1	50 - 31	H133812	4F6	33	140 - 51
H132291	3H22	2	120 - 7	H133096	2C9	29	50 - 31	H133824	1G19	4	40 - 46
H132291	3I4	1	120 - 13	H133096	2C11	3	50 - 33	H133843	3E18	4	100 - 27
H132292	3I10	1	120 - 19	H133097	2C9	29	50 - 31	H133851	1H12	3	40 - 65
H132293	3I6	2	120 - 15	H133097	2C11	3	50 - 33	H133852	1H12	1	40 - 65
H132328	3E2	24	100 - 11	H133098	2C9	29	50 - 31	H133981	1H12	6	40 - 65
H132451	3B10	16	90 - 9	H133098	2C11	3	50 - 33	H133989	3E18	29	100 - 27
H132513	1F19	2	40 - 19	H133106	3C4	15	90 - 29	H133989	3E20	3	100 - 29
H132513	1F19	4	40 - 19	H133143	3I20	14	125 - 5	H134000	1H22	2	40 - 76
H132513	1F19	27	40 - 19	H133152	2J9	19	80 - 29	H134002	3F8	3	100 - 41
H132538	3D9	9	95 - 9	H133160	2B22	16	50 - 19	H134025	3H18	44	120 - 3
H132538	4F19	24	150 - 5	H133161	2B20	32	50 - 17	H134085	3E10	16	100 - 19
H132539	2I8	8	80 - 3	H133165	2B20	22	50 - 17	H134105	1E21	1	30 - 17
H132541	3H2	27	110 - 15	H133178	1G17	11	40 - 44	H134114	2B11	3	50 - 7

NUMERICAL INDEX - CONTINUED

PART NO.	GRID	KEY	PAGE	PART NO.	GRID	KEY	PAGE	PART NO.	GRID	KEY	PAGE
H134114	2B12	6	50-8	H134558	2H10	19	70-51	H135504	2C17	41	50-39
H134114	2B13	2	50-9	H134558	2H14	11	70-55	H135508	2C22	6	50-45
H134114	4I18	8	160-25	H134603	3J14	8	125-23	H135509	2C22	5	50-45
H134117	1E25	5	30-21	H134603	3J16	27	125-25	H135519	3H14	9	110-27
H134118	3I2	11	120-11	H134605	3J16	25	125-25	H135567	2C17	39	50-39
H134118	3I8	18	120-17	H134606	3J14	7	125-23	H135569	2F17	1	70-7
H134140	3E18	16	100-27	H134620	4J19	..	170-22	H135570	2C18	9	50-40
H134143	1B15	7	20-13	H134623	3C4	45	90-29	H135571	2C22	21	50-45
H134144	1B15	10	20-13	H134624	3C4	44	90-29	H135599	4E22	25	140-43
H134151	3G18	16	110-7	H134654	3G16	20	110-5	H135608	2E19	15	60-19
H134154	3G18	14	110-7	H134654	3G18	6	110-7	H135610	2J15	21	80-35
H134163	3G18	15	110-7	H134667	2J13	26	80-33	H135614	3B8	1	90-7
H134164	3G18	18	110-7	H134671	3B16	9	90-15	H135615	3B8	6	90-7
H134165	3G18	9	110-7	H134716	4B25	21	130-23	H135618	2H10	17	70-51
H134168	3G12	4	110-1	H134738	2J15	9	80-35	H135618	2H14	9	70-55
H134171	2J13	18	80-33	H134757	3H5	10	110-18	H135619	2E19	31	60-19
H134172	2J13	19	80-33	H134758	3H5	5	110-18	H135641	2G17	2	70-33
H134214	1B5	25	20-3	H134760	3I18	3	125-3	H135641	2G19	4	70-35
H134214	1B15	21	20-13	H134760	4E16	18	140-37	H135772	3F4	11	100-37
H134298	2J17	4	80-37	H134760	4F13	4	140-59	H135773	1H10	10	40-63
H134308	3I20	20	125-5	H134816	3H4	21	110-17	H135777	2F24	24	70-15
H134308	3J10	1	125-19	H134831	2J13	20	80-33	H135777	2G2	24	70-17
H134314	3J10	2	125-19	H134856	1C1	3	20-24	H135844	4C8	10	130-31
H134317	3J10	4	125-19	H134889	4B17	4	130-14	H135849	4E20	2	140-41
H134335	3G14	10	110-3	H134913	1B11	13	20-9	H135850	3H8	18	110-21
H134338	3G14	16	110-3	H134915	1B11	16	20-9	H135850	4E20	7	140-41
H134339	3G14	14	110-3	H134917	1B11	14	20-9	H135891	3B23	2	90-22
H134343	2E7	8	60-7	H134930	2J15	10	80-35	H135891	3E22	34	100-31
H134353	3C4	23	90-29	H135017	4B25	40	130-23	H135891	3F10	22	100-43
H134418	3H2	20	110-15	H135112	2B17	5	50-13	H135891	3G2	33	100-61
H134420	3H2	21	110-15	H135141	4J19	..	170-22	H135891	3G22	18	110-11
H134424	2E19	23	60-19	H135147	1E23	8	30-19	H135891	3G22	..	110-11
H134424	2H12	16	70-53	H135155	2E19	12	60-19	H135891	3H2	7	110-15
H134424	2H16	14	70-57	H135156	2E25	6	60-25	H135891	4H11	5	155-7
H134425	2E19	25	60-19	H135156	2G15	12	70-31	H135923	3H10	2	110-23
H134425	2H8	8	70-49	H135156	4C14	5	135-5	H135942	2B22	12	50-19
H134425	2H12	14	70-53	H135156	4C16	22	135-7	H135943	2B20	28	50-17
H134425	2H16	9	70-57	H135158	3H5	8	110-18	H135944	2B22	9	50-19
H134426	2E19	21	60-19	H135167	4J19	..	170-22	H135964	2G6	11	70-21
H134427	2E19	22	60-19	H135192	4F25	24	150-11	H135965	2I20	21	80-15
H134427	2H8	5	70-49	H135193	4F25	26	150-11	H135965	2J4	20	80-23
H134427	2H12	15	70-53	H135211	2C17	11	50-39	H135974	2G15	16	70-31
H134427	2H16	12	70-57	H135213	2C17	37	50-39	H135974	4C24	18	135-15
H134428	2E21	7	60-21	H135214	2C17	38	50-39	H136011	3C18	15	90-43
H134428	2H12	21	70-53	H135215	2C17	5	50-39	H136013	1B11	17	20-9
H134428	2H16	20	70-57	H135235	3J14	10	125-23	H136013	3E18	3	100-27
H134429	2H10	15	70-51	H135245	1E21	18	30-17	H136013	3E20	11	100-29
H134429	2H14	7	70-55	H135292	4D25	44	140-19	H136015	3E18	6	100-27
H134434	2E21	11	60-21	H135309	3J20	22	125-29	H136015	3E20	10	100-29
H134434	2H12	19	70-53	H135392	1E21	20	30-17	H136054	3J12	8	125-21
H134434	2H16	16	70-57	H135393	1E21	16	30-17	H136055	3J12	8	125-21
H134442	4J16	5	170-19	H135396	3H20	13	120-5	H136056	3B16	19	90-15
H134442	4J18	2	170-21	H135410	4E18	2	140-39	H136110	1I4	6	40-83
H134444	2B9	18	50-5	H135410	4E22	13	140-43	H136110	3C21	3	90-47
H134444	2B10	11	50-6	H135410	4F6	3	140-51	H136126	3C18	13	90-43
H134444	2C3	3	50-24	H135422	3H18	13	120-3	H136127	3C18	12	90-43
H134470	2E19	16	60-19	H135423	4E18	37	140-39	H136144	3F6	27	100-39
H134506	1E21	14	30-17	H135452	3J4	14	125-13	H136163	2C20	27	50-43
H134527	1B11	12	20-9	H135454	3J4	2	125-13	H136179	4B14	8	130-11
H134535	4J14	1	170-17	H135475	3H18	37	120-3	H136186	3J2	10	125-11
H134547	2B7	4	50-3	H135493	4B25	8	130-23	H136209	3J4	8	125-13
H134547	2B8	3	50-4	H135494	4B25	23	130-23	H136257	4C4	5	130-27
H134548	2B7	9	50-3	H135497	2C18	27	50-40	H136334	2F7	9	60-33
H134548	2B8	8	50-4	H135499	2C15	5	50-37	H136335	2F7	5	60-33
H134549	2B8	2	50-4	H135500	2C15	4	50-37	H136336	2H16	37	70-57
H134557	2F6	5	60-32	H135500	2C22	3	50-45	H136336	3E6	27	100-15
H134558	2E19	7	60-19	H135503	2C17	40	50-39	H136541	3D9	7	95-9

NUMERICAL INDEX - CONTINUED

PART NO.	GRID	KEY	PAGE	PART NO.	GRID	KEY	PAGE	PART NO.	GRID	KEY	PAGE
H136541	4F19	23	150 - 5	H138607	4I18	5	160 - 25	H140715	1B5	11	20 - 3
H136572	4F25	25	150 - 11	H138753	3F8	16	100 - 41	H140715	2E3	19	60 - 3
H136573	4F25	27	150 - 11	H138930	4G6	22	150 - 17	H140715	2J15	23	80 - 35
H136582	3J16	30	125 - 25	H138930	4G8	19	150 - 19	H140746	2E3	8	60 - 3
H136583	4J14	5	170 - 17	H139005	4C9	2	130 - 32	H140747	2E3	9	60 - 3
H136583	4J19	..	170 - 22	H139006	2H23	5	70 - 65	H140749	4J19	..	170 - 22
H136589	3B16	15	90 - 15	H139098	3F8	19	100 - 41	H140750	4J19	..	170 - 22
H136590	3B16	20	90 - 15	H139098	3H2	9	110 - 15	H140751	4J19	..	170 - 22
H136609	3H24	10	120 - 9	H139132	4E24	7	140 - 45	H140768	4J19	..	170 - 22
H136611	3H24	11	120 - 9	H139320	2B11	6	50 - 7	H140803	3H2	3	110 - 15
H136808	3E20	13	100 - 29	H139393	4J10	2	170 - 13	H140804	3H2	23	110 - 15
H137188	3I8	19	120 - 17	H139545	4F4	27	140 - 49	H140804	3H5	6	110 - 18
H137201	4J14	4	170 - 17	H139545	4F6	29	140 - 51	H140836	3C8	19	90 - 33
H137203	3H2	24	110 - 15	H139600	4B8	4	130 - 5	H140848	1B15	19	20 - 13
H137203	3H4	28	110 - 17	H139603	4J18	2	170 - 21	H140866	2I8	21	80 - 3
H137204	3H2	25	110 - 15	H139667	3H12	1	110 - 25	H140872	2J11	5	80 - 31
H137204	3H4	25	110 - 17	H139709	4E4	1	140 - 24	H140881	2J11	1	80 - 31
H137215	3H18	18	120 - 3	H139807	2F7	7	60 - 33	H140944	4E20	19	140 - 41
H137227	4G8	21	150 - 19	H139964	2H25	7	70 - 67	H141059	4F8	18	140 - 53
H137322	3E20	5	100 - 29	H139966	3J4	16	125 - 13	H141060	4F8	11	140 - 53
H137360	3C19	13	90 - 44	H139972	4F19	27	150 - 5	H141069	2E3	16	60 - 3
H137364	4J19	..	170 - 22	H139986	4D14	25	140 - 7	H141087	4B17	1	130 - 14
H137389	3H20	48	120 - 5	H140020	3H14	16	110 - 27	H141123	2J6	14	80 - 25
H137523	2G21	6	70 - 37	H140043	3G22	2	110 - 11	H141123	2J13	17	80 - 33
H137534	2I24	9	80 - 19	H140043	3G24	2	110 - 13	H141123	3G14	20	110 - 3
H137585	3J10	9	125 - 19	H140122	3E10	22	100 - 19	H141123	4F19	36	150 - 5
H137593	2G17	8	70 - 33	H140135	2E10	1	60 - 10	H141123	4G23	9	150 - 34
H137602	2I2	33	70 - 69	H140135	2E13	9	60 - 13	H141166	4F13	10	140 - 59
H137603	2I2	28	70 - 69	H140149	3G22	25	110 - 11	H141166	4K4	4	170 - 31
H137606	3J4	21	125 - 13	H140161	4C4	4	130 - 27	H141236	3F18	16	100 - 51
H137667	3C4	49	90 - 29	H140162	4C4	2	130 - 27	H141292	3B8	13	90 - 7
H137672	2C9	12	50 - 31	H140195	3D24	32	100 - 7	H141315	3C10	11	90 - 35
H137731	2J13	23	80 - 33	H140195	3E2	32	100 - 11	H141327	3C4	9	90 - 29
H137815	4E22	36	140 - 43	H140218	3H10	18	110 - 23	H141388	4B16	15	130 - 13
H137817	4E22	34	140 - 43	H140248	3J12	29	125 - 21	H141411	1F21	39	40 - 21
H137823	4J14	2	170 - 17	H140298	2H8	7	70 - 49	H141422	2E3	34	60 - 3
H137823	4J22	..	170 - 25	H140298	2H8	10	70 - 49	H141450	4G14	17	150 - 25
H137823	4J24	..	170 - 27	H140298	2H12	17	70 - 53	H141450	4G16	17	150 - 27
H137859	3B20	5	90 - 19	H140298	2H16	13	70 - 57	H141481	4C18	14	135 - 9
H137865	2H23	13	70 - 65	H140315	4I16	9	160 - 23	H141482	4C18	10	135 - 9
H137866	2H23	8	70 - 65	H140380	1B7	12	20 - 5	H141500	3F12	4	100 - 45
H137869	4H2	12	150 - 39	H140382	2F7	8	60 - 33	H141510	4C14	8	135 - 5
H137916	3J2	6	125 - 11	H140383	2F7	8	60 - 33	H141510	4C16	31	135 - 7
H137919	3J2	12	125 - 11	H140397	4E24	3	140 - 45	H141549	3E12	2	100 - 21
H137939	3E10	19	100 - 19	H140458	3H2	28	110 - 15	H141549	3E14	2	100 - 23
H137939	4J12	8	170 - 15	H140467	3J20	25	125 - 29	H141549	3E16	15	100 - 25
H137940	4J19	..	170 - 22	H140467	4F10	16	140 - 55	H141549	3J12	33	125 - 21
H138085	4E1	1	140 - 20	H140550	3E20	18	100 - 29	H141555	2C5	11	50 - 27
H138297	3B10	20	90 - 9	H140551	3E20	19	100 - 29	H141556	2C2	1	50 - 23
H138344	3H14	8	110 - 27	H140552	3E20	15	100 - 29	H141557	2C2	5	50 - 23
H138344	4E16	37	140 - 37	H140595	2E3	5	60 - 3	H141588	4E10	17	140 - 31
H138411	2E21	9	60 - 21	H140627	1I2	3	40 - 81	H141673	4F4	3	140 - 49
H138411	2H12	18	70 - 53	H140627	3C25	14	90 - 51	H141704	2C6	7	50 - 28
H138411	2H16	15	70 - 57	H140628	1H19	2	40 - 73	H141705	4C14	13	135 - 5
H138435	3H14	12	110 - 27	H140628	1I2	2	40 - 81	H141706	4C14	10	135 - 5
H138435	3J16	1	125 - 25	H140664	1G8	1	40 - 35	H141772	4E14	23	140 - 35
H138435	3J20	4	125 - 29	H140664	1G18	3	40 - 45	H141813	2J7	2	80 - 26
H138435	4B25	42	130 - 23	H140691	2E3	21	60 - 3	H141835	3E18	5	100 - 27
H138435	4E22	29	140 - 43	H140692	2E3	11	60 - 3	H141836	2J15	15	80 - 35
H138435	4F10	1	140 - 55	H140694	2E3	27	60 - 3	H141839	4C24	9	135 - 15
H138435	4G22	1	150 - 33	H140695	2E3	28	60 - 3	H141869	2E9	11	60 - 9
H138435	4H2	38	150 - 39	H140696	2E3	29	60 - 3	H141877	4J18	..	170 - 21
H138606	2B11	2	50 - 7	H140708	2E3	12	60 - 3	H141881	3E10	9	100 - 19
H138606	2B13	1	50 - 9	H140709	4J18	3	170 - 21	H141883	3H10	7	110 - 23
H138607	2B11	1	50 - 7	H140711	4J18	3	170 - 21	H141946	3C4	53	90 - 29
H138607	2B12	4	50 - 8	H140712	2E3	20	60 - 3	H141955	1H24	1	40 - 78
H138607	2B13	5	50 - 9	H140713	2E3	30	60 - 3	H141955	1H25	1	40 - 79

NUMERICAL INDEX - CONTINUED

PART NO.	GRID	KEY	PAGE	PART NO.	GRID	KEY	PAGE	PART NO.	GRID	KEY	PAGE
H141955	111	1	40-80	H144168	2C6	2	50-28	H145857	4B14	18	130-11
H141955	112	6	40-81	H144201	3F8	21	100-41	H145888	3E24	8	100-33
H142030	2B20	8	50-17	H144242	1G21	3	40-49	H145893	3B16	11	90-15
H142031	2B20	37	50-17	H144256	1H22	7	40-76	H145894	3E20	14	100-29
H142035	2J9	18	80-29	H144293	2B8	9	50-4	H145949	3H20	43	120-5
H142044	2C13	5	50-35	H144293	2B8	16	50-4	H145950	3H20	43	120-5
H142107	2B7	6	50-3	H144313	3F4	7	100-37	H145954	2B6	7	50-2
H142107	2B8	5	50-4	H144342	2H20	12	70-61	H145955	4E10	1	140-31
H142141	4B14	13	130-11	H144385	2B22	19	50-19	H145970	3G22	2	110-11
H142143	4E14	21	140-35	H144472	3B12	3	90-11	H145970	4E1	16	140-20
H142143	4E18	23	140-39	H144472	3C16	18	90-41	H145995	4J18	4	170-21
H142167	1G21	5	40-49	H144558	3H20	50	120-5	H145996	4J19	..	170-22
H142168	1G21	2	40-49	H144667	3I22	16	125-7	H146011	4C6	1	130-29
H142169	1G21	10	40-49	H144692	1B7	20	20-5	H146042	3C6	41	90-31
H142183	2G9	22	70-25	H144692	4J10	4	170-13	H146064	1B5	14	20-3
H142188	3H18	5	120-3	H144715	2I8	24	80-3	H146088	2D25	1	50-76
H142189	3H18	4	120-3	H144716	2I8	24	80-3	H146089	2D25	1	50-76
H142721	2D25	2	50-76	H144717	2I8	25	80-3	H146237	3F18	18	100-51
H142861	3E22	9	100-31	H144742	3H2	6	110-15	H146260	1B9	4	20-7
H142869	3E22	33	100-31	H144742	3H5	14	110-18	H146281	2B5	2	50-1
H142870	3E22	24	100-31	H144762	4D16	30	140-9	H146281	2C11	11	50-33
H143332	4B8	3	130-5	H144823	3G20	3	110-9	H146308	4B14	15	130-11
H143332	4B10	3	130-7	H144823	4F21	5	150-7	H146318	3H4	18	110-17
H143332	4B12	3	130-9	H144823	4F21	6	150-7	H146327	2E3	13	60-3
H143354	3F2	14	100-35	H144825	3E22	4	100-31	H146391	3C6	22	90-31
H143358	3F23	9	100-57	H144825	3G20	1	110-9	H146392	3C6	21	90-31
H143407	3E18	20	100-27	H144825	4F21	5	150-7	H146394	4E10	17	140-31
H143408	2B22	12	50-19	H144834	4D14	30	140-7	H146414	4B8	6	130-5
H143409	2B20	32	50-17	H144885	3G4	9	100-63	H146429	3D5	27	95-5
H143456	3E18	12	100-27	H144896	2H23	3	70-65	H146457	3F23	10	100-57
H143460	3B12	19	90-11	H144962	4E3	42	140-23	H146457	3G22	19	110-11
H143462	2J13	22	80-33	H145001	4D22	6	140-15	H146536	3J12	6	125-21
H143489	3E16	2	100-25	H145051	2F24	15	70-15	H146553	4C18	21	135-9
H143489	3F12	18	100-45	H145051	2G2	15	70-17	H146639	3H10	7	110-23
H143610	3H4	17	110-17	H145051	2G4	15	70-19	H146640	2B17	4	50-13
H143615	3H10	17	110-23	H145051	2G11	25	70-27	H146646	2B24	22	50-21
H143632	3C14	26	90-39	H145061	3F18	3	100-51	H146646	2C2	23	50-23
H143690	4C18	5	135-9	H145062	3F18	3	100-51	H146672	3I2	1	120-11
H143696	4C12	1	135-3	H145095	4C6	7	130-29	H146730	1H13	4	40-66
H143731	3H8	20	110-21	H145096	4C6	6	130-29	H146730	3G14	7	110-3
H143731	3I24	26	125-9	H145112	3H18	26	120-3	H146766	3E16	20	100-25
H143735	3J20	9	125-29	H145112	4B25	14	130-23	H146775	4G2	4	150-13
H143757	1C1	10	20-24	H145145	3F12	12	100-45	H146950	1H12	9	40-65
H143835	2C5	3	50-27	H145158	1B5	5	20-3	H147004	2E11	1	60-11
H143836	2C11	14	50-33	H145158	4K4	2	170-31	H147115	1C1	8	20-24
H143855	3G14	22	110-3	H145221	1G12	2	40-39	H147235	4C22	6	135-13
H143948	4C6	4	130-29	H145243	4E10	11	140-31	H147299	4F19	15	150-5
H143949	4C6	10	130-29	H145247	2D16	9	50-67	H147302	4B8	2	130-5
H143950	4C6	9	130-29	H145257	3H4	5	110-17	H147302	4B10	2	130-7
H143951	4C6	14	130-29	H145264	3B12	4	90-11	H147302	4B12	2	130-9
H143952	4C6	12	130-29	H145264	3C16	15	90-41	H147304	4B10	1	130-7
H143955	4C4	12	130-27	H145319	4B16	7	130-13	H147304	4B12	1	130-9
H144013	2J13	24	80-33	H145349	3F16	16	100-49	H147324	3E10	10	100-19
H144022	2C6	1	50-28	H145350	3G4	15	100-63	H147324	4J12	10	170-15
H144023	2C6	1	50-28	H145351	3G4	16	100-63	H147467	3G10	9	100-69
H144032	1H12	18	40-65	H145399	2C7	1	50-29	H147468	3H2	15	110-15
H144033	2C5	1	50-27	H145464	3F23	15	100-57	H147468	3H4	32	110-17
H144052	3E18	12	100-27	H145516	4F21	5	150-7	H147482	3F2	19	100-35
H144063	3E18	9	100-27	H145516	4F21	6	150-7	H147490	2D24	3	50-75
H144071	2C5	6	50-27	H145548	4I21	2	160-28	H147593	3F2	15	100-35
H144072	2C5	7	50-27	H145639	3H2	12	110-15	H147660	3J10	11	125-19
H144111	4C20	1	135-11	H145639	3H4	2	110-17	H147752	4G8	20	150-19
H144157	4C8	4	130-31	H145773	3G22	22	110-11	H147789	3H8	3	110-21
H144158	4C8	5	130-31	H145773	3G22	..	110-11	H147845	3G12	1	110-1
H144161	4C8	2	130-31	H145773	4F19	34	150-5	H147846	3J12	22	125-21
H144163	4C8	7	130-31	H145778	4B14	22	130-11	H147910	4D20	3	140-13
H144168	2B6	2	50-2	H145847	2E3	1	60-3	H147911	4D25	3	140-19

1L9

9550 AND 9550SH SELF-PROPELLED COMBINE

NUMERICAL INDEX - CONTINUED

PART NO.	GRID	KEY	PAGE	PART NO.	GRID	KEY	PAGE	PART NO.	GRID	KEY	PAGE
H147967	3J20	29	125 - 29	H149088	4I24	1	170 - 3	H150434	4J10	15	170 - 13
H148000	2I8	22	80 - 3	H149088	4J4	2	170 - 7	H150434	4J12	10	170 - 15
H148018	3G14	4	110 - 3	H149089	4J19	..	170 - 22	H150458	3F23	13	100 - 57
H148019	3G14	3	110 - 3	H149090	4J6	1	170 - 9	H150646	4J18	3	170 - 21
H148023	3G14	24	110 - 3	H149091	4J19	..	170 - 22	H150662	3E2	18	100 - 11
H148025	4C8	6	130 - 31	H149092	2G17	5	70 - 33	H150746	2I14	13	80 - 9
H148056	4F21	9	150 - 7	H149092	2G19	6	70 - 35	H150749	2J13	8	80 - 33
H148058	3G16	15	110 - 5	H149092	4J2	5	170 - 5	H150837	3G22	24	110 - 11
H148063	3G18	1	110 - 7	H149092	4J16	1	170 - 19	H150920	4G6	13	150 - 17
H148066	3G16	16	110 - 5	H149096	2J13	7	80 - 33	H150926	4G6	1	150 - 17
H148107	4C6	8	130 - 29	H149096	4F8	17	140 - 53	H150980	2D16	6	50 - 67
H148116	4F21	8	150 - 7	H149096	4I24	5	170 - 3	H150980	2F21	8	70 - 11
H148131	4D25	27	140 - 19	H149096	4J2	6	170 - 5	H150982	2D16	3	50 - 67
H148132	3D20	24	100 - 3	H149096	4J4	5	170 - 7	H150983	2F21	5	70 - 11
H148132	3G8	8	100 - 67	H149097	4J19	..	170 - 22	H151067	3G14	9	110 - 3
H148132	4D20	15	140 - 13	H149098	4J19	..	170 - 22	H151068	3G14	19	110 - 3
H148133	3D20	25	100 - 3	H149099	4I24	4	170 - 3	H151181	4B6	6	130 - 3
H148133	3G8	9	100 - 67	H149099	4J2	7	170 - 5	H151182	4B6	1	130 - 3
H148133	4D20	16	140 - 13	H149100	4J19	..	170 - 22	H151318	3H6	..	110 - 19
H148134	3D20	29	100 - 3	H149102	4B6	19	130 - 3	H151318	4J10	1	170 - 13
H148134	3G8	13	100 - 67	H149102	4B14	17	130 - 11	H151318	4J12	14	170 - 15
H148134	4D20	19	140 - 13	H149102	4J4	6	170 - 7	H151318	4J24	..	170 - 27
H148166	1E19	39	30 - 15	H149102	4J4	8	170 - 7	H151397	4J8	3	170 - 11
H148187	3F23	4A	100 - 57	H149103	4J19	..	170 - 22	H151484	3H2	16	110 - 15
H148202	4C9	1	130 - 32	H149459	3E22	7	100 - 31	H151575	4J18	1	170 - 21
H148225	3C10	10	90 - 35	H149460	3E22	8	100 - 31	H151585	2D16	16	50 - 67
H148241	4E8	8	140 - 29	H149461	3E22	2	100 - 31	H151585	2F21	1	70 - 11
H148270	1H21	1	40 - 75	H149461	3E22	3	100 - 31	H151607	3E22	15	100 - 31
H148271	1H21	6	40 - 75	H149480	3B5	1	90 - 3	H151607	4J6	4	170 - 9
H148301	3H6	2	110 - 19	H149480	4J14	7	170 - 17	H151608	4I12	26	160 - 19
H148302	3H6	4	110 - 19	H149517	3E22	27	100 - 31	H151629	2H20	8	70 - 61
H148304	3H6	6	110 - 19	H149518	3E22	26	100 - 31	H151671	4J20	..	170 - 23
H148305	3H6	3	110 - 19	H149523	3E22	19	100 - 31	H151671	4J21	..	170 - 24
H148340	1H13	1	40 - 66	H149780	4G14	1	150 - 25	H151671	4J22	..	170 - 25
H148340	1H13	5	40 - 66	H149780	4G16	1	150 - 27	H151671	4J24	..	170 - 27
H148340	4G25	3	150 - 37	H150034	3I8	14	120 - 17	H151694	2H20	11	70 - 61
H148340	4H2	2	150 - 39	H150047	3B16	10	90 - 15	H151739	2B5	3	50 - 1
H148366	2G19	14	70 - 35	H150054	2G13	1	70 - 29	H151952	3E8	12	100 - 17
H148633	3J20	24	125 - 29	H150055	2G13	17	70 - 29	H151952	3F21	7	100 - 55
H148769	4D16	21	140 - 9	H150091	3H20	8	120 - 5	H151952	4D23	17	140 - 16
H148769	4D18	13	140 - 11	H150092	3H20	19	120 - 5	H151952	4K6	1	170 - 33
H148775	2G9	23	70 - 25	H150119	3D6	..	95 - 6	H152062	3E18	27	100 - 27
H148776	1E23	13	30 - 19	H150119	4J12	13	170 - 15	H152062	3E20	4	100 - 29
H148925	3G14	11	110 - 3	H150128	3G16	1	110 - 5	H152135	2I14	11	80 - 9
H148998	3E22	5	100 - 31	H150130	3G16	3	110 - 5	H152146	4E22	21	140 - 43
H149026	4B14	9	130 - 11	H150131	3G16	19	110 - 5	H152146	4K6	4	170 - 33
H149027	4B14	9	130 - 11	H150133	3G16	5	110 - 5	H152164	2E3	7	60 - 3
H149062	4J4	1	170 - 7	H150133	3G18	3	110 - 7	H152165	2E5	20	60 - 5
H149062	4J8	2	170 - 11	H150134	3G16	2	110 - 5	H152166	2E5	14	60 - 5
H149063	3E10	21	100 - 19	H150222	2D10	14	50 - 61	H152170	3C6	25	90 - 31
H149063	3E18	26	100 - 27	H150222	2D18	12	50 - 69	H152171	3C6	4	90 - 31
H149063	3F10	3	100 - 43	H150223	2D10	18	50 - 61	H152172	3C4	10	90 - 29
H149063	4I24	2	170 - 3	H150223	2D14	8	50 - 65	H152173	3C4	2	90 - 29
H149063	4J2	2	170 - 5	H150223	2D18	10	50 - 69	H152174	3C4	12	90 - 29
H149064	3C18	16	90 - 43	H150268	3I2	18	120 - 11	H152180	4E22	21	140 - 43
H149064	4J2	3	170 - 5	H150268	3I2	19	120 - 11	H152180	4K6	4	170 - 33
H149064	4J4	4	170 - 7	H150383	3C6	15	90 - 31	H152232	3H24	3	120 - 9
H149065	4J6	5	170 - 9	H150385	3D5	25	95 - 5	H152238	4J20	..	170 - 23
H149066	4J2	4	170 - 5	H150401	4B6	8	130 - 3	H152238	4J21	..	170 - 24
H149067	4J2	10	170 - 5	H150401	4B6	9	130 - 3	H152238	4J22	..	170 - 25
H149074	4J19	..	170 - 22	H150402	4B6	15	130 - 3	H152238	4J24	..	170 - 27
H149075	4J19	..	170 - 22	H150402	4B6	16	130 - 3	H152239	4J20	..	170 - 23
H149076	4J19	..	170 - 22	H150403	4B6	10	130 - 3	H152239	4J21	..	170 - 24
H149077	4J19	..	170 - 22	H150404	4B6	14	130 - 3	H152239	4J22	..	170 - 25
H149078	4J19	..	170 - 22	H150408	4B6	23	130 - 3	H152239	4J24	..	170 - 27
H149079	4J19	..	170 - 22	H150411	2H20	3	70 - 61	H152240	4J20	..	170 - 23
H149088	1B7	25	20 - 5	H150412	2H20	6	70 - 61	H152240	4J21	..	170 - 24

1L10

9550 AND 9550SH SELF-PROPELLED COMBINE

NUMERICAL INDEX - CONTINUED

PART NO.	GRID	KEY	PAGE	PART NO.	GRID	KEY	PAGE	PART NO.	GRID	KEY	PAGE
H152240	4J22	..	170 - 25	H154937	3B25	8	90 - 25	H157042	4B14	26	130 - 11
H152240	4J24	..	170 - 27	H154999	4J10	10	170 - 13	H157043	3I18	12	125 - 3
H152243	4J20	..	170 - 23	H154999	4J21	..	170 - 24	H157044	3I18	11	125 - 3
H152243	4J21	..	170 - 24	H154999	4J24	..	170 - 27	H157101	2H2	11B	70 - 43
H152243	4J22	..	170 - 25	H155000	4J10	10	170 - 13	H157102	2H2	1	70 - 43
H152243	4J24	..	170 - 27	H155000	4J21	..	170 - 24	H157103	4B14	24	130 - 11
H152256	4I12	28	160 - 19	H155000	4J24	..	170 - 27	H157109	4B6	23	130 - 3
H152403	1B25	3	20 - 23	H155062	3G2	12	100 - 61	H157192	3I24	2	125 - 9
H152409	4I7	7	160 - 12	H155062	4F4	7	140 - 49	H157196	3I24	11	125 - 9
H152410	4I10	6	160 - 16	H155112	2J15	16	80 - 35	H157247	2I2	34	70 - 69
H152464	3H12	3	110 - 25	H155307	4F13	26	140 - 59	H157282	3H20	48	120 - 5
H152464	3H12	5	110 - 25	H155459	3D20	5	100 - 3	H157292	4J24	..	170 - 27
H152465	3H12	3	110 - 25	H155510	3C6	46	90 - 31	H157293	4J22	..	170 - 25
H152465	3H12	5	110 - 25	H155510	4J6	3	170 - 9	H157312	4J24	..	170 - 27
H152616	3H24	8	120 - 9	H155968	3I20	33	125 - 5	H157313	4J22	..	170 - 25
H152617	3H24	7	120 - 9	H155973	4E16	28	140 - 37	H157319	4J22	..	170 - 25
H152664	3B25	23	90 - 25	H155998	3E8	12	100 - 17	H157320	4J24	..	170 - 27
H152673	3B25	6	90 - 25	H155998	3F21	7	100 - 55	H157321	4J22	..	170 - 25
H152740	4I7	3	160 - 12	H155998	4D23	17	140 - 16	H157322	4J24	..	170 - 27
H152741	4I2	1	160 - 7	H155998	4K6	1	170 - 33	H157323	4J22	..	170 - 25
H152741	4I6	10	160 - 11	H156090	3D24	34	100 - 7	H157326	4J24	..	170 - 27
H152741	4I7	1	160 - 12	H156091	3D24	14	100 - 7	H157327	4J22	..	170 - 25
H152742	4I10	3	160 - 16	H156095	3D24	19	100 - 7	H157328	4J24	..	170 - 27
H152743	4I9	10	160 - 15	H156095	3D25	7	100 - 8	H157329	4J22	..	170 - 25
H152743	4I10	1	160 - 16	H156096	3D25	4	100 - 8	H157330	4J24	..	170 - 27
H152745	4H25	1	160 - 5	H156098	4B10	5	130 - 7	H157331	4J22	..	170 - 25
H152868	1B23	1	20 - 21	H156100	4B10	7	130 - 7	H157332	4J24	..	170 - 27
H152874	4G23	6	150 - 34	H156101	4B10	6	130 - 7	H157333	4J22	..	170 - 25
H152914	3I20	35	125 - 5	H156101	4B12	4	130 - 9	H157334	4J24	..	170 - 27
H152916	3I20	10	125 - 5	H156127	2B9	3	50 - 5	H157335	4J22	..	170 - 25
H152923	4H4	5	150 - 41	H156127	4H23	8	160 - 3	H157340	4J24	..	170 - 27
H152940	3I20	34	125 - 5	H156127	4I14	5	160 - 21	H157341	4J22	..	170 - 25
H153349	3D5	9	95 - 5	H156221	4J23	..	170 - 26	H157344	4J24	..	170 - 27
H153352	3B12	4	90 - 11	H156222	4J23	..	170 - 26	H157345	4J22	..	170 - 25
H153352	3C16	16	90 - 41	H156223	4J23	..	170 - 26	H157348	4J24	..	170 - 27
H153358	3C14	34	90 - 39	H156224	4J23	..	170 - 26	H157349	4J22	..	170 - 25
H153394	3B14	8	90 - 13	H156225	4J23	..	170 - 26	H157350	4J24	..	170 - 27
H153438	3D3	6	95 - 3	H156226	4J23	..	170 - 26	H157351	4J22	..	170 - 25
H153443	3C2	21	90 - 27	H156227	4J23	..	170 - 26	H157515	3I24	9	125 - 9
H153453	3C2	18	90 - 27	H156228	4J23	..	170 - 26	H157597	4D2	41	135 - 17
H153457	3C2	19	90 - 27	H156229	4J23	..	170 - 26	H157615	4I2	16	160 - 7
H153479	3C8	5	90 - 33	H156230	4J23	..	170 - 26	H157615	4I6	4	160 - 11
H153480	3C8	4	90 - 33	H156231	4J23	..	170 - 26	H157615	4I9	4	160 - 15
H153521	3I20	6	125 - 5	H156232	4J23	..	170 - 26	H157616	4I2	16	160 - 7
H153524	4E18	9	140 - 39	H156234	4J23	..	170 - 26	H157616	4I6	4	160 - 11
H153524	4E20	6	140 - 41	H156360	3H6	7	110 - 19	H157616	4I9	4	160 - 15
H153524	4E22	10	140 - 43	H156363	3C2	17	90 - 27	H157617	4I2	16	160 - 7
H153721	3D8	9	95 - 8	H156390	3C6	42	90 - 31	H157617	4I6	4	160 - 11
H153722	3D8	10	95 - 8	H156390	4J6	2	170 - 9	H157617	4I9	4	160 - 15
H153728	4J18	1	170 - 21	H156513	2E5	3	60 - 5	H157688	4F6	15	140 - 51
H153888	3D8	7	95 - 8	H156514	2E5	1	60 - 5	H157696	4I2	16	160 - 7
H153889	3D8	8	95 - 8	H156576	3F2	23	100 - 35	H157696	4I6	4	160 - 11
H154071	3I22	24	125 - 7	H156578	3F2	28	100 - 35	H157716	4I18	4	160 - 25
H154071	3I24	27	125 - 9	H156579	3F2	25	100 - 35	H157718	4I18	6	160 - 25
H154128	4J20	..	170 - 23	H156580	3F2	16	100 - 35	H157726	4F4	23	140 - 49
H154128	4J21	..	170 - 24	H156711	3I20	15	125 - 5	H157727	4F6	20	140 - 51
H154128	4J22	..	170 - 25	H156717	3H24	2	120 - 9	H157727	4K6	3	170 - 33
H154128	4J24	..	170 - 27	H156718	3H24	2	120 - 9	H157740	3I4	6	120 - 13
H154195	1B11	5	20 - 9	H156800	3H22	5	120 - 7	H157740	3I6	11	120 - 15
H154216	3H12	4	110 - 25	H156801	3H22	6	120 - 7	H157741	3I10	6	120 - 19
H154331	3F8	22	100 - 41	H156850	3E6	9	100 - 15	H157742	3I10	6	120 - 19
H154370	3I24	28	125 - 9	H156850	3G2	23	100 - 61	H157743	3I4	7	120 - 13
H154720	2C9	14	50 - 31	H156863	3D20	12	100 - 3	H157743	3I6	12	120 - 15
H154755	2D22	12	50 - 73	H156863	3E6	10	100 - 15	H157744	3I10	7	120 - 19
H154756	2D22	13	50 - 73	H156863	4K6	6	170 - 33	H157752	3I6	6	120 - 15
H154928	3I12	5	120 - 21	H156936	1H15	1	40 - 69	H157762	3I24	6	125 - 9
H154929	3I8	8	120 - 17	H156936	3F25	1	100 - 59	H157866	1E23	9	30 - 19

NUMERICAL INDEX - CONTINUED

PART NO.	GRID	KEY	PAGE	PART NO.	GRID	KEY	PAGE	PART NO.	GRID	KEY	PAGE
H157868	4I2	8	160-7	H159534	3E18	19	100-27	H161209	4J21	..	170-24
H157915	4J24	..	170-27	H159613	3F2	18	100-35	H161209	4J22	..	170-25
H157916	4J22	..	170-25	H159614	3F2	27	100-35	H161209	4J24	..	170-27
H157967	3H2	2	110-15	H159636	3D5	26	95-5	H161270	4D23	20	140-16
H157984	4J24	..	170-27	H159743	3D3	8	95-3	H161289	3C21	4	90-47
H157985	4J22	..	170-25	H159784	4G16	2	150-27	H161293	4D23	20	140-16
H158010	4J24	..	170-27	H159791	2B14	11	50-10	H161297	2I18	6	80-13
H158011	4J22	..	170-25	H159806	1F14	7	40-13	H161342	3I22	1	125-7
H158043	4J24	..	170-27	H159814	4E20	2	140-41	H161342	3I24	18	125-9
H158044	4J22	..	170-25	H159814	4E20	7	140-41	H161346	3I24	13	125-9
H158045	4J24	..	170-27	H159815	4E14	19	140-35	H161354	1E21	9	30-17
H158046	4J22	..	170-25	H159815	4E18	12	140-39	H161388	3F21	15	100-55
H158047	4J24	..	170-27	H159818	3D20	37	100-3	H161415	4H2	18	150-39
H158048	4J22	..	170-25	H159887	4I6	15	160-11	H161524	2J15	3	80-35
H158052	4J24	..	170-27	H159956	4F4	7	140-49	H161529	4G20	19	150-31
H158053	4J22	..	170-25	H159975	3E18	2	100-27	H161529	4H2	33	150-39
H158067	1E21	19	30-17	H159975	3E22	13	100-31	H161534	2C9	1	50-31
H158292	1H22	5	40-76	H159975	3E24	2	100-33	H161540	2C9	30	50-31
H158369	1E21	23	30-17	H160024	1B23	6	20-21	H161541	2C9	29	50-31
H158423	2J15	29	80-35	H160187	2I14	6	80-9	H161542	2C9	29	50-31
H158443	2J15	18	80-35	H160265	2I8	30	80-3	H161543	2C9	29	50-31
H158525	3D5	16	95-5	H160269	4J22	..	170-25	H161544	3F21	20	100-55
H158575	3D20	7	100-3	H160270	4J22	..	170-25	H161550	3C14	11	90-39
H158578	3F21	9	100-55	H160367	1C3	1	20-26	H161581	3I24	14	125-9
H158596	2F19	9	70-9	H160368	1B15	3	20-13	H161618	1I4	8	40-83
H158614	2I12	2	80-7	H160405	1B15	4	20-13	H161639	1B25	4	20-23
H158615	3J8	9	125-17	H160405	4K4	1	170-31	H161648	3D20	12	100-3
H158616	2I12	12	80-7	H160406	1B5	45	20-3	H161648	3E6	10	100-15
H158627	2I12	9	80-7	H160406	4K4	3	170-31	H161648	4K6	6	170-33
H158633	2I12	3	80-7	H160448	4J22	..	170-25	H161813	4F4	9	140-49
H158638	2F22	5	70-12	H160476	3B6	1A	90-4	H161871	2C9	6	50-31
H158638	3J8	6	125-17	H160476	3B6	1B	90-4	H161937	3C14	30	90-39
H158646	2I16	7	80-11	H160476	3B6	3B	90-4	H161938	3C14	30	90-39
H158749	2I8	2	80-3	H160476	3B6	5B	90-4	H161939	3C14	30	90-39
H158817	4G18	25	150-29	H160654	4F6	20	140-51	H161940	3C14	30	90-39
H158830	3D3	23	95-3	H160654	4K6	3	170-33	H162004	1B15	25	20-13
H158840	4J12	6	170-15	H160701	4J12	7	170-15	H162011	1E21	3	30-17
H158840	4J21	..	170-24	H160702	4J12	7	170-15	H162055	3C4	42	90-29
H158840	4J22	..	170-25	H160715	3J12	28	125-21	H162132	1G23	6	40-51
H158840	4J24	..	170-27	H160729	3B12	10	90-11	H162138	1B11	21	20-9
H158845	1B5	9	20-3	H160733	2I12	8	80-7	H162320	3F14	3	100-47
H158845	1C4	6	20-27	H160795	4J19	..	170-22	H162401	3E12	23	100-21
H158845	1G23	18	40-51	H160796	4J24	..	170-27	H162401	3E14	23	100-23
H158845	2J15	20	80-35	H160797	4J22	..	170-25	H162410	3E22	36	100-31
H158884	2B7	2	50-3	H160799	3C2	8	90-27	H162425	3G2	27	100-61
H158942	2H20	10	70-61	H160869	3F21	9	100-55	H162559	3C12	1	90-37
H158951	3E18	25	100-27	H160880	1H10	11	40-63	H162560	3C12	2	90-37
H158951	3E22	41	100-31	H160880	4B16	18	130-13	H162569	3C4	41	90-29
H158975	4I24	3	170-3	H160953	3D24	11	100-7	H162584	2F19	7	70-9
H158975	4J2	8	170-5	H160978	2I14	1	80-9	H162585	2F19	8	70-9
H158975	4J18	5	170-21	H161023	3B18	6	90-17	H162629	4D25	25	140-19
H159011	2J4	11	80-23	H161105	3C14	26	90-39	H162629	4E10	3	140-31
H159011	4F19	19	150-5	H161111	4J19	..	170-22	H162629	4K4	5	170-31
H159083	2I20	15	80-15	H161126	3B10	19	90-9	H162748	3B8	19	90-7
H159104	4H3	2	150-40	H161128	1H24	5	40-78	H163133	1C4	4	20-27
H159144	3D3	4	95-3	H161130	1H25	5	40-79	H163182	3D22	7	100-5
H159224	1B5	44	20-3	H161155	1B23	10	20-21	H163211	2D16	19	50-67
H159224	1C4	5	20-27	H161163	3C14	17	90-39	H163216	4H19	2	155-15
H159280	2I18	12	80-13	H161165	3C14	28	90-39	H163216	4J10	7	170-13
H159281	2J2	6	80-21	H161166	3C14	33	90-39	H163216	4J12	11	170-15
H159304	2J6	2	80-25	H161167	3C14	27	90-39	H163235	4J10	3	170-13
H159305	2J6	13	80-25	H161171	2I18	5	80-13	H163279	4D25	1	140-19
H159343	4J23	..	170-26	H161206	4J21	..	170-24	H163391	3D8	3	95-8
H159347	4J23	..	170-26	H161208	4J20	..	170-23	H163397	3D3	3	95-3
H159348	4J23	..	170-26	H161208	4J22	..	170-25	H163401	3C25	11	90-51
H159349	4J23	..	170-26	H161208	4J24	..	170-27	H163491	2B15	6	50-11
H159533	3E18	11	100-27	H161209	4J20	..	170-23	H163498	3D3	22	95-3

NUMERICAL INDEX - CONTINUED

PART NO.	GRID	KEY	PAGE	PART NO.	GRID	KEY	PAGE	PART NO.	GRID	KEY	PAGE
H163515	1H2	3	40-55	H165177	4J20	..	170-23	H166179	3D3	7	95-3
H163515	4K2	1	170-29	H165178	4J20	..	170-23	H166201	2C3	7	50-24
H163515	4K4	..	170-31	H165179	4J20	..	170-23	H166216	3E2	11	100-11
H163557	3E8	5	100-17	H165180	4J20	..	170-23	H166313	3F25	6	100-59
H163604	3D22	14	100-5	H165181	4J20	..	170-23	H166375	2D24	3	50-75
H163652	1C2	2	20-25	H165182	4J20	..	170-23	H166395	1B11	6	20-9
H163694	2C9	9	50-31	H165183	4J20	..	170-23	H166421	2G13	5	70-29
H163726	3D20	23	100-3	H165184	4J20	..	170-23	H166431	2B7	12	50-3
H163726	3G8	11	100-67	H165186	4J20	..	170-23	H166431	2D5	18	50-55
H163726	4D20	14	140-13	H165188	4J20	..	170-23	H166437	1B5	42	20-3
H163745	2C9	29	50-31	H165190	4J20	..	170-23	H166460	4F8	19	140-53
H163757	3J6	1	125-15	H165191	4J20	..	170-23	H166499	1G23	9	40-51
H163787	4G20	12	150-31	H165192	4J20	..	170-23	H166834	2J15	33	80-35
H163841	2J19	16	80-39	H165193	4J20	..	170-23	H166838	3C14	18	90-39
H163845	2J19	17	80-39	H165197	4J20	..	170-23	H166839	3C14	13	90-39
H163999	4I2	12	160-7	H165199	4J20	..	170-23	H166840	3C14	14	90-39
H164000	4I6	7	160-11	H165215	3B10	18	90-9	H166870	1H4	3	40-57
H164000	4I9	6	160-15	H165243	4B16	16	130-13	H166870	4K2	1	170-29
H164001	4I2	15	160-7	H165249	3B10	21	90-9	H166878	1H4	2	40-57
H164001	4I6	3	160-11	H165252	1I3	7	40-82	H166881	4B21	5	130-19
H164001	4I9	3	160-15	H165252	1I5	1	40-84	H166882	4B21	2	130-19
H164002	4I2	18	160-7	H165282	2J19	11	80-39	H166949	4J12	16	170-15
H164002	4I6	17	160-11	H165284	4J20	..	170-23	H166949	4J21	..	170-24
H164002	4I9	13	160-15	H165285	4J20	..	170-23	H166949	4J22	..	170-25
H164009	3F10	17	100-43	H165317	3F23	20	100-57	H166949	4J24	..	170-27
H164009	3G2	38	100-61	H165320	2I16	14	80-11	H166959	3C14	20	90-39
H164018	3F10	19	100-43	H165400	3B12	2	90-11	H166971	3E6	21	100-15
H164018	3G2	39	100-61	H165411	1G23	10	40-51	H166971	3F21	16	100-55
H164212	4H2	13	150-39	H165444	2I20	6A	80-15	H167006	2J15	27	80-35
H164213	4H2	25	150-39	H165444	2I22	12A	80-17	H167091	2J15	26	80-35
H164218	2J15	38	80-35	H165444	2J4	14	80-23	H167092	2J15	2	80-35
H164222	3H4	30	110-17	H165447	4D23	7	140-16	H167127	4B12	7	130-9
H164260	3C14	31	90-39	H165447	4D25	32	140-19	H167133	2J9	21	80-29
H164404	4F23	17	150-9	H165463	3D24	39	100-7	H167134	2J9	4	80-29
H164494	3H18	49	120-3	H165464	3D24	37	100-7	H167159	1B11	4	20-9
H164506	3H18	49	120-3	H165490	3B14	11	90-13	H167164	2J15	22	80-35
H164508	2I10	12	80-5	H165508	2B24	4	50-21	H167171	1E21	6	30-17
H164519	4B14	27	130-11	H165509	2C3	6	50-24	H167171	2J15	39	80-35
H164536	1G19	11	40-46	H165510	2B9	17	50-5	H167173	3C18	2	90-43
H164537	3F10	4	100-43	H165510	2B10	10	50-6	H167174	3C18	2	90-43
H164537	4I24	6	170-3	H165510	2C3	4	50-24	H167223	2J19	13	80-39
H164537	4J2	9	170-5	H165570	4J20	..	170-23	H167257	3F21	25	100-55
H164556	3J6	3	125-15	H165571	4J20	..	170-23	H167311	2G13	6	70-29
H164559	2F5	1	60-31	H165585	1E21	15	30-17	H167337	3B18	19	90-17
H164561	2F5	5	60-31	H165587	1E21	21	30-17	H167375	2B18	5	50-14
H164562	2F5	10	60-31	H165662	2B9	11	50-5	H167390	3J13	2	125-22
H164572	2I18	9	80-13	H165663	2B9	11	50-5	H167425	4B19	3	130-17
H164605	4C9	1	130-32	H165664	2B9	11	50-5	H167426	4B19	2	130-17
H164612	1B15	23	20-13	H165665	2B9	11	50-5	H167446	4J22	..	170-25
H164702	3D3	19	95-3	H165666	2B9	11	50-5	H167447	4J24	..	170-27
H164755	4F6	22	140-51	H165678	1E19	7	30-15	H167451	3E12	1	100-21
H164756	4F6	27	140-51	H165689	3B14	10	90-13	H167451	3E14	1	100-23
H164771	1E23	19	30-19	H165689	3C25	6	90-51	H167587	4B25	20	130-23
H164794	2B24	20	50-21	H165690	3C14	7	90-39	H167654	3E16	18	100-25
H164794	2C2	21	50-23	H165690	3C25	10	90-51	H167655	3E12	18	100-21
H164796	3I18	13	125-3	H165691	2G21	11	70-37	H167655	3E14	18	100-23
H164808	1B5	8	20-3	H165691	3B18	3	90-17	H167667	3I24	21	125-9
H164849	1E23	16	30-19	H165691	3C25	13	90-51	H167680	3C23	3	90-49
H164854	1C2	1	20-25	H165691	3D7	4	95-7	H167681	3C23	7	90-49
H164872	1G23	5	40-51	H165693	3C4	11	90-29	H167686	2J4	7A	80-23
H164896	3J13	5	125-22	H165693	3C6	24	90-31	H167691	4J10	6	170-13
H164952	3C14	3	90-39	H165693	3C25	9	90-51	H167691	4J21	..	170-24
H165155	2I24	3	80-19	H165700	2I24	17	80-19	H167691	4J22	..	170-25
H165170	4J20	..	170-23	H165728	3B25	3	90-25	H167691	4J24	..	170-27
H165174	4J20	..	170-23	H165731	2J17	1	80-37	H167716	3I24	8	125-9
H165175	4J20	..	170-23	H165732	2J17	2	80-37	H167717	4H11	23	155-7
H165176	4J20	..	170-23	H166148	2F22	3	70-12	H167719	4J10	12	170-13

NUMERICAL INDEX - CONTINUED

PART NO.	GRID	KEY	PAGE	PART NO.	GRID	KEY	PAGE	PART NO.	GRID	KEY	PAGE
H167722	2C9	27	50-31	H168924	4F6	38	140-51	H170143	4F13	19	140-59
H167723	2C9	12	50-31	H168961	2C13	15	50-35	H170211	2D22	22	50-73
H167728	2I20	24A	80-15	H168984	2J15	6	80-35	H170211	4J14	6	170-17
H167807	4B21	3	130-19	H168985	2J15	19	80-35	H170272	2I18	2	80-13
H167815	3E12	10	100-21	H168986	3D3	15	95-3	H170272	2I18	17	80-13
H167815	3E14	10	100-23	H168988	2C13	16	50-35	H170272	2I24	6	80-19
H167815	3E16	4	100-25	H168988	2C20	23	50-43	H170272	2I24	24	80-19
H167830	2J4	17	80-23	H168994	3E2	2	100-11	H170303	4D14	43	140-7
H167834	4J12	12	170-15	H169023	3I24	22	125-9	H170344	3J13	3	125-22
H167835	4J10	9	170-13	H169065	4F6	8	140-51	H170357	4H25	2	160-5
H167840	4J12	19	170-15	H169067	3C14	23	90-39	H170373	3C2	15	90-27
H167842	4J10	13	170-13	H169070	2J19	14	80-39	H170382	3C4	7	90-29
H167843	4J12	5	170-15	H169082	3B18	9	90-17	H170484	2I24	25A	80-19
H167912	3B18	4	90-17	H169083	3B18	8	90-17	H170552	4I2	10	160-7
H167941	3J12	3	125-21	H169087	3D3	16	95-3	H170577	2J6	11	80-25
H167970	2C9	23	50-31	H169128	2F5	6	60-31	H170578	2J6	19	80-25
H167971	2C9	23	50-31	H169194	3B8	7	90-7	H170634	1H10	9	40-63
H167988	2E9	17	60-9	H169230	4J19	..	170-22	H170645	3D20	3	100-3
H168019	3J12	42	125-21	H169231	4J23	..	170-26	H170654	3C18	17	90-43
H168083	1B9	13	20-7	H169283	4J19	..	170-22	H170654	4J2	11	170-5
H168125	3E2	14	100-11	H169292	2J15	37	80-35	H170659	4F6	23	140-51
H168126	3D20	7	100-3	H169293	1C5	1	20-28	H170670	4H2	46	150-39
H168133	3C2	20	90-27	H169307	4F8	12	140-53	H170718	4I4	2	160-9
H168166	2B9	1	50-5	H169308	4F8	16	140-53	H170737	3F6	3	100-39
H168170	2F24	7	70-15	H169344	4J8	1	170-11	H170738	4B19	22	130-17
H168170	2G2	7	70-17	H169349	4J12	3	170-15	H170781	3D24	25	100-7
H168170	2G4	7	70-19	H169349	4J21	..	170-24	H170799	4J20	..	170-23
H168171	2F24	20	70-15	H169349	4J22	..	170-25	H170800	4J20	..	170-23
H168171	2G2	20	70-17	H169349	4J24	..	170-27	H170823	3J20	6	125-29
H168171	2G4	20	70-19	H169403	3B14	9	90-13	H170833	3D3	25	95-3
H168256	1B5	41	20-3	H169447	4J14	3	170-17	H170912	3C2	3A	90-27
H168278	3F23	19	100-57	H169491	4J12	4	170-15	H170940	4B20	7	130-18
H168374	2J19	23	80-39	H169494	4J12	4	170-15	H170967	3J4	14	125-13
H168424	4H9	1	155-5	H169509	2H20	5	70-61	H170967	3J4	20	125-13
H168433	3B18	17	90-17	H169512	3B12	15	90-11	H170982	4J16	6	170-19
H168458	4J10	8	170-13	H169516	4J4	3	170-7	H171004	3I24	7	125-9
H168458	4J12	18	170-15	H169549	1E13	9	30-9	H171004	4H11	10	155-7
H168459	4J10	8	170-13	H169549	1E16	11	30-12	H171006	3J12	9	125-21
H168459	4J12	18	170-15	H169613	3B8	8	90-7	H171011	3C16	21	90-41
H168476	2B14	10	50-10	H169634	3B14	13	90-13	H171030	4D23	2	140-16
H168476	2F3	20	60-29	H169634	3B18	21	90-17	H171059	2I8	10	80-3
H168476	2F5	22	60-31	H169652	3J12	3	125-21	H171061	1B5	48	20-3
H168499	4D23	16	140-16	H169733	1B7	24	20-5	H171061	1B15	16	20-13
H168578	3I22	13	125-7	H169764	4J12	21	170-15	H171061	3E8	4	100-17
H168724	1E19	28	30-15	H169793	2J17	10	80-37	H171061	3J18	12	125-27
H168726	2I20	7	80-15	H169794	2J17	9	80-37	H171061	4E8	13	140-29
H168732	1H15	13	40-69	H169864	3C2	2	90-27	H171061	4E14	15	140-35
H168732	1H15	17	40-69	H169865	3J12	4	125-21	H171061	4E20	11	140-41
H168732	3F2	35	100-35	H169865	4B19	10	130-17	H171061	4F4	21	140-49
H168732	3F25	13	100-59	H169896	2J4	21	80-23	H171061	4F6	18	140-51
H168744	2B9	1	50-5	H169900	2I24	6	80-19	H171061	4F13	13	140-59
H168745	2B9	1	50-5	H169900	2I24	23	80-19	H171079	4J21	..	170-24
H168751	1B13	16	20-11	H169989	2J15	36	80-35	H171081	4J21	..	170-24
H168752	1B13	8	20-11	H170072	2B11	2	50-7	H171082	4J21	..	170-24
H168755	3C14	24	90-39	H170072	2B12	5	50-8	H171093	4B14	18	130-11
H168757	3C14	25	90-39	H170072	2B13	1	50-9	H171093	4J10	5	170-13
H168781	3B18	2	90-17	H170072	4I18	7	160-25	H171093	4J12	2	170-15
H168809	2I22	6	80-17	H170073	3C2	28	90-27	H171116	2C18	18	50-40
H168811	2J4	5	80-23	H170105	4J19	..	170-22	H171184	3I24	25	125-9
H168811	4F19	10	150-5	H170106	4J23	..	170-26	H171206	3F21	5	100-55
H168812	2J4	15	80-23	H170115	4J19	..	170-22	H171222	3C2	..	90-27
H168870	3D7	1	95-7	H170116	4J23	..	170-26	H171285	3C12	3	90-37
H168871	3D7	6	95-7	H170117	4J19	..	170-22	H171311	4J12	20	170-15
H168898	2C9	27	50-31	H170118	4J23	..	170-26	H171312	3F21	29	100-55
H168899	2C11	19	50-33	H170141	4E16	8	140-37	H171318	3F10	1	100-43
H168924	1H21	2	40-75	H170141	4F13	25	140-59	H171325	4J16	7	170-19
H168924	3H18	33	120-3	H170143	4E16	9	140-37	H171339	4J16	3	170-19

NUMERICAL INDEX - CONTINUED

PART NO.	GRID	KEY	PAGE	PART NO.	GRID	KEY	PAGE	PART NO.	GRID	KEY	PAGE
H171360	4J16	2	170 - 19	H173085	4J23	..	170 - 26	H173908	4J19	..	170 - 22
H171383	4J16	4	170 - 19	H173087	4J23	..	170 - 26	H173914	4J19	..	170 - 22
H171385	4F25	31	150 - 11	H173088	4J23	..	170 - 26	H174011	1E19	12	30 - 15
H171386	3G2	41	100 - 61	H173089	4J23	..	170 - 26	H174025	2B7	12	50 - 3
H171386	4K6	8	170 - 33	H173090	4J23	..	170 - 26	H174025	2D5	18	50 - 55
H171513	3G2	45	100 - 61	H173093	4J23	..	170 - 26	H174047	2I24	29	80 - 19
H171533	3G2	19	100 - 61	H173094	4J23	..	170 - 26	H174077	4J19	..	170 - 22
H171555	1G12	4	40 - 39	H173095	4J23	..	170 - 26	H174081	2F5	10	60 - 31
H171624	4J12	15	170 - 15	H173096	4J23	..	170 - 26	H174086	4J19	..	170 - 22
H171636	3F10	5	100 - 43	H173097	4J23	..	170 - 26	H174129	2J6	25	80 - 25
H171636	3G2	1	100 - 61	H173098	4J23	..	170 - 26	H174140	2B14	1	50 - 10
H171960	3F23	4B	100 - 57	H173099	4J23	..	170 - 26	H174140	2B15	3	50 - 11
H171963	2I20	8A	80 - 15	H173101	4J23	..	170 - 26	H174162	1E21	19	30 - 17
H171963	2I22	7A	80 - 17	H173102	4J23	..	170 - 26	H174192	3C2	3B	90 - 27
H171963	2J4	2A	80 - 23	H173103	4J23	..	170 - 26	H174266	4J18	1	170 - 21
H171977	2J13	28	80 - 33	H173104	4J23	..	170 - 26	H174283	2J4	7A	80 - 23
H171998	2E19	37	60 - 19	H173106	4J23	..	170 - 26	H174283	2J4	7B	80 - 23
H172003	3B5	4	90 - 3	H173111	4J12	4	170 - 15	H174284	4J20	..	170 - 23
H172025	4B19	18	130 - 17	H173218	2F6	5	60 - 32	H174284	4J21	..	170 - 24
H172045	3I24	33	125 - 9	H173223	4F25	37	150 - 11	H174284	4J22	..	170 - 25
H172110	4B19	24	130 - 17	H173241	4I24	7	170 - 3	H174284	4J24	..	170 - 27
H172113	4H11	21	155 - 7	H173257	2I20	26	80 - 15	H174357	4J23	..	170 - 26
H172116	3J8	3	125 - 17	H173257	2I24	28	80 - 19	H174361	2F5	8	60 - 31
H172116	3J12	30	125 - 21	H173258	2I24	25A	80 - 19	H174617	3H2	15	110 - 15
H172142	3G6	10	100 - 65	H173258	2I24	25B	80 - 19	H174617	3H4	32	110 - 17
H172177	3F10	14	100 - 43	H173293	4J19	..	170 - 22	H175330	3I22	25	125 - 7
H172197	1G12	20	40 - 39	H173294	4J23	..	170 - 26	H175540	3I8	1	120 - 17
H172197	3C19	20	90 - 44	H173334	4J22	..	170 - 25	H175547	3E18	2	100 - 27
H172205	2I24	20	80 - 19	H173335	4J24	..	170 - 27	H175547	3E22	13	100 - 31
H172222	3F23	24	100 - 57	H173336	4J19	..	170 - 22	H175547	3E24	2	100 - 33
H172258	2I18	4	80 - 13	H173337	4J20	..	170 - 23	H175590	3I14	5	120 - 23
H172267	3D20	20	100 - 3	H173451	3E18	34	100 - 27	H175703	3E18	4	100 - 27
H172308	2J6	16	80 - 25	H173451	3E22	44	100 - 31	H176083	3C14	18	90 - 39
H172309	2J6	17	80 - 25	H173460	2I20	6A	80 - 15	H176465	2B10	12	50 - 6
H172337	1B7	1	20 - 5	H173460	2I20	6B	80 - 15	H22784	2C9	15	50 - 31
H172439	4B14	11	130 - 11	H173460	2I22	12A	80 - 17	H23196	1C2	5	20 - 25
H172460	3F25	14	100 - 59	H173460	2I22	12B	80 - 17	H23950	4F6	20	140 - 51
H172470	3F12	13	100 - 45	H173508	3G2	11	100 - 61	H23950	4K6	3	170 - 33
H172470	3F14	20	100 - 47	H173574	4J20	..	170 - 23	H25099	4E24	6	140 - 45
H172471	3F14	2	100 - 47	H173577	4J20	..	170 - 23	H26253	2C2	6	50 - 23
H172473	3F12	21	100 - 45	H173597	4J20	..	170 - 23	H26552	3J18	16	125 - 27
H172473	3F14	19	100 - 47	H173616	3C21	12	90 - 47	H28031	4H4	7	150 - 41
H172474	3F14	16	100 - 47	H173633	4J20	..	170 - 23	H36155	3H18	48	120 - 3
H172528	3J12	46	125 - 21	H173644	2J15	33	80 - 35	H36221	3B10	10	90 - 9
H172549	1I4	5	40 - 83	H173702	4J19	..	170 - 22	H36256	3C4	48	90 - 29
H172664	2J15	36	80 - 35	H173723	2J6	26	80 - 25	H60816	4D2	14	135 - 17
H172665	2J15	29	80 - 35	H173742	2I20	8A	80 - 15	H63271	2C15	3	50 - 37
H172667	3F2	34	100 - 35	H173742	2I20	8B	80 - 15	H63271	2C17	17	50 - 39
H172736	2J15	31	80 - 35	H173742	2I22	7A	80 - 17	H63271	2C18	26	50 - 40
H172742	2I24	5	80 - 19	H173742	2I22	7B	80 - 17	H63271	2C22	2	50 - 45
H172749	4B16	21	130 - 13	H173742	2J4	2A	80 - 23	H63288	2C23	13	50 - 46
H172760	3C2	10	90 - 27	H173742	2J4	2B	80 - 23	H63289	2C18	3	50 - 40
H172793	4B16	23	130 - 13	H173743	2I20	23	80 - 15	H63289	2C23	14	50 - 46
H172923	2E5	20	60 - 5	H173743	2I22	14	80 - 17	H63289	2H4	10	70 - 45
H172924	2E5	14	60 - 5	H173743	2J4	24	80 - 23	H63357	4D3	4	135 - 18
H172944	3C21	12	90 - 47	H173784	2I20	24A	80 - 15	H64374	3H18	21	120 - 3
H173011	4H2	41	150 - 39	H173784	2I20	24B	80 - 15	H64376	3G22	1	110 - 11
H173034	1E21	23	30 - 17	H173793	3D5	16	95 - 5	H64376	3G24	1	110 - 13
H173071	4J23	..	170 - 26	H173824	4J19	..	170 - 22	H64376	4E1	15	140 - 20
H173072	4J23	..	170 - 26	H173849	4J19	..	170 - 22	H64376	4F25	2	150 - 11
H173075	4J23	..	170 - 26	H173850	4J19	..	170 - 22	H64584	4F17	7	150 - 3
H173077	4J23	..	170 - 26	H173885	4J19	..	170 - 22	H64612	2J17	15	80 - 37
H173079	4J23	..	170 - 26	H173899	3G2	12	100 - 61	H64813	2C22	24	50 - 45
H173081	4J23	..	170 - 26	H173899	4F4	7	140 - 49	H65322	3E24	15	100 - 33
H173082	4J23	..	170 - 26	H173900	3E8	17	100 - 17	H748DA	4E14	8	140 - 35
H173083	4J23	..	170 - 26	H173900	4F4	6	140 - 49	H75267	4D22	5	140 - 15
H173084	4J23	..	170 - 26	H173904	3F6	3	100 - 39	H75358	2B20	30	50 - 17

NUMERICAL INDEX - CONTINUED

PART NO.	GRID	KEY	PAGE	PART NO.	GRID	KEY	PAGE	PART NO.	GRID	KEY	PAGE
H75358	3D24	46	100 - 7	H871R	3E2	4	100 - 11	H97292	4D2	18	135 - 17
H75385	4D14	37	140 - 7	H871R	4E3	8	140 - 23	H97293	4D2	19	135 - 17
H75423	2B7	10	50 - 3	H87206	4E18	28	140 - 39	H97306	4D25	38	140 - 19
H75423	2D5	17	50 - 55	H87268	3H10	12	110 - 23	H97308	3D20	16	100 - 3
H75541	1B21	8	20 - 19	H87502	3G4	1	100 - 63	H97322	3F6	12	100 - 39
H75541	2G23	2	70 - 39	H87502	4C22	9	135 - 13	H97322	3F8	17	100 - 41
H75541	2H23	6	70 - 65	H87691	2B6	4	50 - 2	H97378	3F21	5	100 - 55
H75541	4C16	15	135 - 7	H87691	2B9	6	50 - 5	H97410	3D20	33	100 - 3
H75541	4C18	2	135 - 9	H87691	2B10	4	50 - 6	H97410	3G8	15	100 - 67
H75541	4G4	18	150 - 15	H87691	2C6	5	50 - 28	H97513	4E14	4	140 - 35
H75700	2B18	7	50 - 14	H87691	4H23	6	160 - 3	H97574	3J16	19	125 - 25
H75716	3J16	35	125 - 25	H87691	4H23	10	160 - 3	H98111	3B5	2	90 - 3
H75952	3I20	22	125 - 5	H87691	4I14	3	160 - 21	H98546	3H20	29	120 - 5
H75952	3I20	37	125 - 5	H88069	3F18	7	100 - 51	H98654	3G2	42	100 - 61
H76064	1G19	7	40 - 46	H88096	3G4	3	100 - 63	H98655	3E4	27	100 - 13
H76083	3E18	28	100 - 27	H88096	4C22	8	135 - 13	H987R	1G12	7	40 - 39
H76083	3I22	10	125 - 7	H88771	4D14	44	140 - 7	H987R	3B10	17	90 - 9
H76083	3J12	18	125 - 21	H88773	3D3	6	95 - 3	H99147	1B5	48	20 - 3
H76152	2B17	7	50 - 13	H88773	3I20	17	125 - 5	H99147	1B15	16	20 - 13
H76863	4F21	5	150 - 7	H89241	4D12	3	140 - 5	H99147	3E8	4	100 - 17
H76933	4B25	28	130 - 23	H89297	3E4	6	100 - 13	H99147	3J18	12	125 - 27
H77698	2I2	17	70 - 69	H89515	4E24	12	140 - 45	H99147	4E8	13	140 - 29
H77698	3F21	14	100 - 55	H89525	4E18	29	140 - 39	H99147	4E14	15	140 - 35
H78340	2H2	4	70 - 43	H89544	2I8	13	80 - 3	H99147	4E20	11	140 - 41
H78340	2I2	31	70 - 69	H89617	3D24	6	100 - 7	H99147	4F4	21	140 - 49
H78354	4B23	4	130 - 21	H89617	3E2	6	100 - 11	H99147	4F6	18	140 - 51
H79910	4D14	7	140 - 7	H91205	3H18	11	120 - 3	H99147	4F13	13	140 - 59
H80440	2F1	4	60 - 26	H91228	4B25	12	130 - 23	H99149	3G22	3	110 - 11
H80753	3C4	35	90 - 29	H91315	3D7	5	95 - 7	H99149	3G24	3	110 - 13
H80821	2F17	10	70 - 7	H91788	4E24	13	140 - 45	H99149	4E1	12	140 - 20
H80821	2G25	11	70 - 41	H91796	4B25	15	130 - 23	H99264	2E5	19	60 - 5
H81330	4F19	5	150 - 5	H92308	2B24	21	50 - 21	H99294	3C4	46	90 - 29
H81461	2E9	30	60 - 9	H92308	2C2	22	50 - 23	H99303	3F2	10	100 - 35
H81608	4D4	13	135 - 19	H93084	3F21	13	100 - 55	H99599	4F23	16	150 - 9
H82232	2B20	3	50 - 17	H93399	1B15	22	20 - 13	H99613	4G12	2	150 - 23
H82232	3D24	43	100 - 7	H93399	4E22	26	140 - 43	H99923	2F1	4	60 - 26
H82233	2B20	4	50 - 17	H93630	4D25	23	140 - 19	IPSKIT1	1C10	..	25 - 3
H82233	3D24	42	100 - 7	H93631	4D25	22	140 - 19	JD10007	3F18	10	100 - 51
H82234	2B20	2	50 - 17	H93645	4E1	3	140 - 20	JD10010	3E2	15	100 - 11
H82234	3D24	44	100 - 7	H93927	3F4	14	100 - 37	JD10011	3E2	21	100 - 11
H82418	4F4	8	140 - 49	H93927	3G8	24	100 - 67	JD10011	4E16	30	140 - 37
H82619	4D14	41	140 - 7	H94167	3H18	43	120 - 3	JD10018	3F21	4	100 - 55
H83285	1B7	10	20 - 5	H94386	4E6	13	140 - 27	JD10020	3F2	17	100 - 35
H83795	4B25	26	130 - 23	H94386	4E20	24	140 - 41	JD10032	4E3	45	140 - 23
H84026	3F8	4	100 - 41	H94950	2F3	17	60 - 29	JD10058	1B16	1	20 - 14
H84374	3F14	10	100 - 47	H94951	2F3	8	60 - 29	JD10134	2C9	4	50 - 31
H84375	2B14	3	50 - 10	H95273	4J19	..	170 - 22	JD10135	2C9	5	50 - 31
H84375	2B15	2	50 - 11	H95417	3D20	32	100 - 3	JD10182	2B20	24	50 - 17
H84869	3E24	3	100 - 33	H95417	3G8	16	100 - 67	JD10214	4E3	30	140 - 23
H84932	4B23	18	130 - 21	H95499	3E4	16	100 - 13	JD10266	2C9	18	50 - 31
H84942	3F8	18	100 - 41	H95547	2B14	5	50 - 10	JD10266	4I7	4	160 - 12
H84948	3C8	16	90 - 33	H95902	2E5	18	60 - 5	JD10312	2H2	9	70 - 43
H84990	4B16	2	130 - 13	H96149	4F25	7	150 - 11	JD10342	3G22	7	110 - 11
H85015	3J16	22	125 - 25	H96169	4F25	1	150 - 11	JD10342	3G24	6	110 - 13
H85184	2I10	6	80 - 5	H96226	4E10	14	140 - 31	JD10342	4E1	6	140 - 20
H85184	2I16	13	80 - 11	H96227	4E10	12	140 - 31	JD10343	3G22	8	110 - 11
H85184	3H16	7	120 - 1	H96232	4E10	13	140 - 31	JD10343	3G24	7	110 - 13
H85233	3B8	5	90 - 7	H96267	4F25	6	150 - 11	JD10343	4E1	13	140 - 20
H85233	3H10	1	110 - 23	H96294	4F25	14	150 - 11	JD10384	3I18	8	125 - 3
H86760	3J14	10	125 - 23	H96645	4G18	17	150 - 29	JD10387	4B16	4	130 - 13
H86775	1B9	1	20 - 7	H96652	4G8	12	150 - 19	JD10401	2C9	26	50 - 31
H86783	4E16	12	140 - 37	H96652	4G14	7	150 - 25	JD10401	2C11	18	50 - 33
H86783	4F13	18	140 - 59	H96652	4G16	7	150 - 27	JD10462	2C25	8	50 - 49
H86880	4D2	5	135 - 17	H96869	2F3	3	60 - 29	JD10462	2F5	20	60 - 31
H86881	4D2	4	135 - 17	H97288	4D2	13	135 - 17	JD37125	4I10	4	160 - 16
H86896	4J8	4	170 - 11	H97289	4D2	1	135 - 17	JD37125	4I12	13	160 - 19
H871R	3D24	4	100 - 7	H97291	4D2	8	135 - 17	JD39102	1B5	38	20 - 3

NUMERICAL INDEX - CONTINUED

PART NO.	GRID	KEY	PAGE	PART NO.	GRID	KEY	PAGE	PART NO.	GRID	KEY	PAGE
JD39102	3I20	5	125 - 5	JD7788	3F18	25	100 - 51	JD8952	2F3	10	60 - 29
JD39102	4F10	6	140 - 55	JD7788	3H8	29	110 - 21	JD8960	4E3	4	140 - 23
JD39102	4F10	14	140 - 55	JD7788	3H20	2	120 - 5	JD8979	2B22	6	50 - 19
JD39103	3J16	5	125 - 25	JD7788	4E10	6	140 - 31	JD9007	4D18	9	140 - 11
JD39103	3J20	15	125 - 29	JD7797	2C5	5	50 - 27	JD9043	2C25	19	50 - 49
JD39104	3H14	10	110 - 27	JD7797	2F1	3	60 - 26	JD9043	2F5	12	60 - 31
JD39104	4G20	20	150 - 31	JD7797	3J16	20	125 - 25	JD9058	4I10	8	160 - 16
JD39104	4G22	9	150 - 33	JD7797	4D14	26	140 - 7	JD9075	4D18	2	140 - 11
JD39104	4H2	34	150 - 39	JD7797	4D20	8	140 - 13	JD9075	4D18	26	140 - 11
JD39106	3I20	11	125 - 5	JD7797	4E3	25	140 - 23	JD9076	2C17	9	50 - 39
JD39109	4E18	53	140 - 39	JD7797	4E18	38	140 - 39	JD9078	4D22	2	140 - 15
JD5592	4J14	8	170 - 17	JD7798	2F5	15	60 - 31	JD9092	2C9	4	50 - 31
JD5920	1I4	13	40 - 83	JD7798	3D20	13	100 - 3	JD9109	2C25	18	50 - 49
JD5920	4J4	9	170 - 7	JD7798	4D25	26	140 - 19	JD9109	2F5	18	60 - 31
JD5921	1I4	14	40 - 83	JD7798	4I12	19	160 - 19	JD9113	2C22	19	50 - 45
JD5921	4J4	10	170 - 7	JD7799	2D5	11	50 - 55	JD9121	4I10	7	160 - 16
JD5922	1I4	12	40 - 83	JD7799	2F5	17	60 - 31	JD9132	4D18	3	140 - 11
JD5922	4J4	11	170 - 7	JD7806	3E24	11	100 - 33	JD9132	4D18	27	140 - 11
JD5927	4J4	7	170 - 7	JD7826	3E24	9	100 - 33	JD9133	2C17	9	50 - 39
JD7147	1B17	4	20 - 15	JD7839	4E8	10	140 - 29	JD9147	2C9	5	50 - 31
JD7228	2C9	26	50 - 31	JD7842	3G10	6	100 - 69	JD9201	3F4	13	100 - 37
JD7278	2C9	25	50 - 31	JD7842	4D2	46	135 - 17	JD9201	3G8	23	100 - 67
JD7278	2C9	28	50 - 31	JD7844	4B16	5	130 - 13	JD9201	3H8	14	110 - 21
JD7292	4D22	12	140 - 15	JD7845	3G22	9	110 - 11	JD9202	3F4	15	100 - 37
JD7298	2C9	19	50 - 31	JD7845	3G24	8	110 - 13	JD9202	3G8	25	100 - 67
JD7298	4I7	5	160 - 12	JD7845	3H8	19	110 - 21	JD9219	3J2	5	125 - 11
JD7366	4I12	16	160 - 19	JD7845	4E1	11	140 - 20	JD9245	2C2	3	50 - 23
JD7378	4D22	11	140 - 15	JD7846	4E18	5	140 - 39	JD9273	3H18	24	120 - 3
JD7395	4D22	24	140 - 15	JD7846	4E22	15	140 - 43	JD9301	3G6	4	100 - 65
JD7418	4D22	23	140 - 15	JD7847	2C25	14	50 - 49	JD9313	3J14	6	125 - 23
JD7425	2B24	9	50 - 21	JD8147	2B24	8	50 - 21	JD9313	3J16	11	125 - 25
JD7425	2C2	10	50 - 23	JD8147	2C2	9	50 - 23	JD9356	3G6	7	100 - 65
JD7441	4E3	29	140 - 23	JD8162	4D14	14	140 - 7	JD9373	3F2	20	100 - 35
JD7448	2C25	9	50 - 49	JD8162	4D16	24	140 - 9	JD9373	4G18	4	150 - 29
JD7448	2F5	14	60 - 31	JD8182	2B22	17	50 - 19	JD9407	3F18	2	100 - 51
JD7502	2B24	3	50 - 21	JD8206	4D14	15	140 - 7	JD9434	3H8	16	110 - 21
JD7678	3D24	38	100 - 7	JD8206	4D16	23	140 - 9	JD9442	4B25	17	130 - 23
JD7681	3J4	13	125 - 13	JD8206	4D18	32	140 - 11	JD9490	3H20	6	120 - 5
JD7686	4E16	22	140 - 37	JD8206	4I12	17	160 - 19	J16931	1B5	21	20 - 3
JD7689	3J4	11	125 - 13	JD8210	4D22	8	140 - 15	J16931	1B7	26	20 - 5
JD7759	2B7	13	50 - 3	JD8222	2C9	28	50 - 31	J16931	1B15	24	20 - 13
JD7759	2C5	10	50 - 27	JD8222	2C11	17	50 - 33	J16931	2I20	25	80 - 15
JD7759	2C11	10	50 - 33	JD8223	2B22	18	50 - 19	J16931	2I24	27	80 - 19
JD7759	2F3	18	60 - 29	JD8237	2B20	23	50 - 17	J16931	2J4	25	80 - 23
JD7759	3E24	12	100 - 33	JD8237	2F3	13	60 - 29	J16931	4F25	39	150 - 11
JD7759	3F21	10	100 - 55	JD8239	4E3	3	140 - 23	J16931	4G25	13	150 - 37
JD7759	3G22	11	110 - 11	JD8255	4D22	3	140 - 15	J16931	4H2	40	150 - 39
JD7759	3G24	10	110 - 13	JD8257	2B20	5	50 - 17	J18468	4G18	23	150 - 29
JD7759	3H8	23	110 - 21	JD8258	2F3	11	60 - 29	J21022	3J16	15	125 - 25
JD7759	3H12	7	110 - 25	JD8267	2B22	5	50 - 19	J2375M	2G17	1	70 - 33
JD7759	4C18	16	135 - 9	JD8524	4F25	8	150 - 11	J2375M	2G19	3	70 - 35
JD7759	4E1	9	140 - 20	JD8551	3F8	26	100 - 41	K40003	4G18	10	150 - 29
JD7759	4E8	1	140 - 29	JD8552	3F8	10	100 - 41	L113023	3B12	13	90 - 11
JD7759	4E10	4	140 - 31	JD8554	3H18	17	120 - 3	L1730N	3E4	3	100 - 13
JD7759	4E22	5	140 - 43	JD8554	4B25	11	130 - 23	L2301CU	4D2	38	135 - 17
JD7759	4F25	19	150 - 11	JD8554	4G18	13	150 - 29	L29041	4D14	3	140 - 7
JD7759	4I2	13	160 - 7	JD8563	4B25	18	130 - 23	L29042	4D14	3	140 - 7
JD7759	4I6	1	160 - 11	JD8576	3G6	8	100 - 65	L29043	4D14	3	140 - 7
JD7759	4I9	1	160 - 15	JD8576	4B16	10	130 - 13	L29044	4D14	3	140 - 7
JD7760	2C9	8	50 - 31	JD8665	3H18	31	120 - 3	L3483N	2I2	23	70 - 69
JD7760	2C11	4	50 - 33	JD8665	4B25	7	130 - 23	L36230	4G6	14	150 - 17
JD7760	3G10	2	100 - 69	JD8665	4G18	16	150 - 29	L38238	1G8	9	40 - 35
JD7763	4H25	3	160 - 5	JD8668	4D25	16	140 - 19	L59635	4B19	6	130 - 17
JD7781	4G8	2	150 - 19	JD8669	4D25	14	140 - 19	L64995	4J20	..	170 - 23
JD7781	4G12	12	150 - 23	JD8676	4D16	17	140 - 9	M1007T	3D24	40	100 - 7
JD7788	1B15	26	20 - 13	JD8819	3E2	41	100 - 11	M111701	1B5	20	20 - 3
JD7788	2H2	17	70 - 43	JD8902	2F3	14	60 - 29	M112271	4F25	38	150 - 11

NUMERICAL INDEX - CONTINUED

PART NO.	GRID	KEY	PAGE	PART NO.	GRID	KEY	PAGE	PART NO.	GRID	KEY	PAGE
M112639	4C6	15	130 - 29	N110085	3J18	7	125 - 27	PF10350	4H11	21	155 - 7
M131544	4G6	23	150 - 17	N110085	4K4	7	170 - 31	PF80000	4H11	1	155 - 7
M18356	3D3	26	95 - 3	N115096	1F7	11	40 - 5	PF80016	4H7	..	155 - 3
M2353T	4E8	15	140 - 29	N126584	2C17	18	50 - 39	PF80022	1H17	7	40 - 71
M41029	2B20	35	50 - 17	N126585	2C15	6	50 - 37	PF80022	4H13	7	155 - 9
M41029	2G25	2	70 - 41	N126586	2C20	13	50 - 43	PF80045	4H13	4	155 - 9
M43518	2C17	31	50 - 39	N126600	2C17	10	50 - 39	PF80047	4H11	3	155 - 7
M43649	2E3	23	60 - 3	N126601	2C18	7	50 - 40	PF80058	4H13	2	155 - 9
M43835	1F7	2	40 - 5	N126602	2C17	27	50 - 39	PF80136	4H17	2	155 - 13
M44269	3H5	3	110 - 18	N126603	2C17	1	50 - 39	PF80137	4H18	2	155 - 14
M45123	4E4	3	140 - 24	N126612	2C15	11	50 - 37	PF80139	4H18	1	155 - 14
M47293	1F19	11	40 - 19	N126612	2C22	33	50 - 45	PF80150	4H9	8	155 - 5
M48000	2C17	2	50 - 39	N126638	2C18	2	50 - 40	PF80152	1H17	1	40 - 71
M48000	2C20	15	50 - 43	N126641	2C20	10	50 - 43	PF80152	4H13	1	155 - 9
M48869	2F17	23	70 - 7	N126654	2C23	4	50 - 46	PF80156	4H9	7	155 - 5
M48869	2G25	4	70 - 41	N12679	2E13	26	60 - 13	PF80173	1H17	4	40 - 71
M61266	1G14	8	40 - 41	N12679	4I16	26	160 - 23	PF80173	4H15	3	155 - 11
M63707	2D8	13	50 - 59	N128541	2C23	5	50 - 46	PF80174	1H17	6	40 - 71
M63707	4D6	2	135 - 21	N130510	2C23	8	50 - 46	PF80174	4H15	4	155 - 11
M63707	4D12	39	140 - 5	N133564	4D2	45	135 - 17	PF80209	4H9	3	155 - 5
M63707	4E3	17	140 - 23	N134803	4E16	27	140 - 37	PF80314	4H7	1	155 - 3
M64720	3E22	37	100 - 31	N139123	4D22	26	140 - 15	PF80316	4H9	7	155 - 5
M68701	1G12	5	40 - 39	N14822	2D16	18	50 - 67	PF80334	4H18	2	155 - 14
M68701	2I20	22	80 - 15	N15254	4B20	2	130 - 18	PF80335	4H18	1	155 - 14
M68701	2J4	4	80 - 23	N15764	3J2	4	125 - 11	PF80338	4H18	3	155 - 14
M71077	4B16	27	130 - 13	N191174	2C15	14	50 - 37	PF80339	4H19	3	155 - 15
M71770	3J13	1	125 - 22	N191174	2C22	29	50 - 45	PF80339	4H19	4	155 - 15
M72490	1D14	4	25 - 35	N196034	2C15	16	50 - 37	PF80339	4H19	5	155 - 15
M72490	1E9	10	30 - 5	N196034	2C22	27	50 - 45	PF80370	4H9	8	155 - 5
M72598	3E12	9	100 - 21	N197422	2B24	13	50 - 21	PF90091	4H9	..	155 - 5
M72598	3E14	9	100 - 23	N197422	2C2	13	50 - 23	PM797NA	1F9	57	40 - 7
M72598	3E16	5	100 - 25	N199920	2B18	2	50 - 14	PM797NA	1F11	40	40 - 9
M72598	3E22	6	100 - 31	N205022	2F11	10	70 - 1	PT2314	3B6	4	90 - 4
M72598	3I6	9	120 - 15	N206575	2I18	11	80 - 13	P42061	4D2	9	135 - 17
M72598	4C9	3	130 - 32	N209312	2F11	5	70 - 1	P43363	4F6	26	140 - 51
M72598	4F4	14	140 - 49	N218670	1G6	9	40 - 33	P43969	2B20	25	50 - 17
M800578	3D24	36	100 - 7	N271047	1B9	9	20 - 7	P44439	4B25	6	130 - 23
M80082	1H17	9	40 - 71	N276474	2C9	23	50 - 31	P45750	2H20	2	70 - 61
M80082	3J12	43	125 - 21	N276475	2C9	23	50 - 31	P46369	2C9	22	50 - 31
M80082	4H15	5	155 - 11	N276699	2B13	6	50 - 9	P46369	2C11	9	50 - 33
M82701	4B19	23	130 - 17	N31772	2D8	8	50 - 59	P46402	3E8	1	100 - 17
M84309	3J20	32	125 - 29	N31772	4D12	45	140 - 5	P46402	3G2	20	100 - 61
M84309	4F17	25	150 - 3	N34986	2G25	12	70 - 41	P46402	3J18	9	125 - 27
M84309	4F19	32	150 - 5	N5044DN	3F8	15	100 - 41	P46402	4E6	8	140 - 27
M84309	4F23	10	150 - 9	N52258	3H20	7	120 - 5	P46402	4E14	12	140 - 35
M84971	1B11	..	20 - 9	N61654	3E8	13	100 - 17	P46402	4E20	8	140 - 41
M90451	1B5	46	20 - 3	N61654	4E6	3	140 - 27	P46402	4F4	17	140 - 49
M90756	4B19	7	130 - 17	N61709	4F19	40	150 - 5	P46402	4F13	11	140 - 59
M91405	2I20	20	80 - 15	N71921	4F25	4	150 - 11	P46770	4D14	4	140 - 7
M91405	2I22	13	80 - 17	N71922	3E2	20	100 - 11	P46874	3G6	5	100 - 65
M93425	2I16	4	80 - 11	N72306	3F16	14	100 - 49	P46874	3J4	10	125 - 13
M93425	3E10	12	100 - 19	N72989	4G12	15	150 - 23	P47159	2I8	17	80 - 3
M93425	3E12	13	100 - 21	N72989	4G18	1	150 - 29	P48347	1H15	7	40 - 69
M93425	3E14	13	100 - 23	PF10034	4H13	3	155 - 9	P48347	2C18	17	50 - 40
M93425	3E16	11	100 - 25	PF10035	4H13	17	155 - 9	P48347	2F11	4	70 - 1
N10145	4D23	5	140 - 16	PF10106	1H17	8	40 - 71	P48347	3F25	7	100 - 59
N102039	1D19	..	25 - 41	PF10106	4H13	8	155 - 9	P48691	4D25	28	140 - 19
N102039	2B17	9	50 - 13	PF10123	4H7	8	155 - 3	P5403H	3G24	15	110 - 13
N102042	3F4	8	100 - 37	PF10134	4H7	2	155 - 3	RE10258	1E11	4	30 - 7
N10217	2E19	13	60 - 19	PF10135	4H7	3	155 - 3	RE11156	1F9	36	40 - 7
N10217	2E21	8	60 - 21	PF10144	4H19	1	155 - 15	RE11157	1F9	37	40 - 7
N10217	2H8	4	70 - 49	PF10173	4H11	9	155 - 7	RE12325	2F6	7	60 - 32
N10217	2H10	16	70 - 51	PF10218	1H17	12	40 - 71	RE12325	2F7	11	60 - 33
N10217	2H12	12	70 - 53	PF10218	4H13	6	155 - 9	RE12326	2F6	1	60 - 32
N10217	2H14	6	70 - 55	PF10240	4H7	5	155 - 3	RE12326	2F7	1	60 - 33
N10217	2H16	10	70 - 57	PF10349	4H13	12	155 - 9	RE12330	1F5	14	40 - 3
N110085	3J16	29	125 - 25	PF10350	4H11	4	155 - 7	RE12331	1F5	12	40 - 3

NUMERICAL INDEX - CONTINUED

PART NO.	GRID	KEY	PAGE	PART NO.	GRID	KEY	PAGE	PART NO.	GRID	KEY	PAGE
RE12332	1F5	18	40-3	RE33337	2C25	..	50-49	RE51052	3D11	2	95-11
RE12333	1F5	21	40-3	RE33337	2D2	..	50-51	RE51234	1G4	43	40-31
RE12334	1F5	8	40-3	RE33338	2C25	..	50-49	RE52454	3D11	1	95-11
RE12362	1F5	4	40-3	RE33338	2D2	..	50-51	RE52504	1E19	2	30-15
RE12363	1F5	11	40-3	RE33339	2C25	..	50-49	RE52506	3D13	1	95-13
RE12363	1F19	10	40-19	RE33339	2D2	..	50-51	RE52507	3D14	1	95-14
RE12363	1F19	12	40-19	RE33636	1E16	8	30-12	RE52508	3D13	3	95-13
RE12363	1F19	26	40-19	RE35161	3B16	1	90-15	RE52509	3D15	1	95-15
RE12363	1F21	39	40-21	RE36151	1E10	4	30-6	RE52510	3D13	2	95-13
RE12363	1F21	42	40-21	RE39131	2D2	6	50-51	RE54244	1E15	10	30-11
RE12363	1F21	46	40-21	RE39134	1D17	12	25-39	RE54245	1E15	12	30-11
RE12363	1F21	47	40-21	RE40048	1E25	4	30-21	RE55475	1D2	19	25-21
RE12363	1F21	54	40-21	RE42195	4H17	8	155-13	RE55475	1E2	11	25-49
RE12363	1F21	55	40-21	RE42196	4H17	11	155-13	RE55522	1C18	5	25-11
RE12363	1F21	57	40-21	RE43526	3B22	5	90-21	RE55662	1E7	11	30-3
RE12363	1F21	58	40-21	RE43774	4C16	27	135-7	RE56165	1H15	9	40-69
RE12363	1F21	63	40-21	RE46252	1E11	6	30-7	RE56165	3F25	9	100-59
RE12363	1F24	3	40-25	RE46609	3D11	..	95-11	RE57054	1C25	3	25-18
RE12363	1F24	8	40-25	RE46962	3C6	31	90-31	RE57154	1D17	13	25-39
RE12363	1F24	9	40-25	RE47428	1E7	5	30-3	RE57167	1C17	7	25-10
RE12363	1G2	3	40-29	RE47429	1E7	3	30-3	RE57167	1C19	7	25-12
RE12363	1G2	8	40-29	RE47430	1E7	2	30-3	RE57172	1C20	3	25-13
RE12363	1G2	9	40-29	RE47431	1E7	1	30-3	RE57172	1C21	3	25-14
RE12363	1G4	34	40-31	RE48310	1E16	5	30-12	RE57173	1C21	3	25-14
RE12363	1G6	4	40-33	RE48321	1E16	3	30-12	RE57177	1C20	5	25-13
RE12363	1G8	11	40-35	RE48360	1E12	10	30-8	RE57177	1C21	2	25-14
RE12363	1G10	15	40-37	RE49243	2C25	1	50-49	RE57186	1E2	19	25-49
RE12363	1G17	1	40-44	RE49243	2F5	2	60-31	RE57187	1E2	38	25-49
RE12363	1G18	2	40-45	RE500186	1E19	20	30-15	RE57190	1D17	2	25-39
RE12363	1G19	6	40-46	RE500187	1E19	21	30-15	RE57394	1D12	9	25-33
RE12363	1H13	6	40-66	RE500216	1D15	1	25-36	RE57561	1D12	1	25-33
RE12363	2G21	13	70-37	RE500318	1D14	11	25-35	RE57561	1D23	10	25-45
RE12363	4D12	15	140-5	RE500803	1E7	21	30-3	RE57604	1E3	6	25-50
RE12363	4H13	16	155-9	RE500934	1E3	1	25-50	RE57733	1C23	4	25-16
RE12364	1F5	16	40-3	RE501513	1C17	6	25-10	RE57750	1D2	18	25-21
RE12364	1F19	14	40-19	RE501737	1D2	15	25-21	RE57836	1D19	10	25-41
RE12364	1F19	15	40-19	RE501970	1E7	17	30-3	RE58780	1C19	9	25-12
RE12364	1F24	18	40-25	RE502154	1D17	11	25-39	RE58781	1C20	9	25-13
RE12364	1G2	19	40-29	RE502404	1E9	1	30-5	RE60546	1D8	2	25-28
RE12364	4H11	17	155-7	RE502404	1G24	4	40-52	RE60577	1E9	16	30-5
RE12365	1F5	20	40-3	RE502510	1C23	4	25-16	RE60622	1D7	15	25-27
RE12365	1F16	29	40-15	RE502650	1E9	4	30-5	RE61253	1C19	4	25-12
RE12366	1F5	25	40-3	RE502656	1C14	1	25-7	RE61253	1C21	1	25-14
RE12366	1F16	34	40-15	RE502656	1C16	1	25-9	RE61267	1C19	9	25-12
RE12366	1H10	1	40-63	RE502929	1E7	7	30-3	RE61268	1C20	9	25-13
RE151331	3B22	16	90-21	RE502930	1E7	6	30-3	RE61658	1E9	24	30-5
RE153074	3D3	18	95-3	RE503232	1E9	1	30-5	RE61693	1E15	13	30-11
RE154318	3D8	4	95-8	RE503232	1G24	4	40-52	RE61851	1C20	4	25-13
RE154319	3D8	2	95-8	RE503233	1E9	1	30-5	RE61851	1C21	1	25-14
RE155577	1B19	6	20-17	RE503233	1G24	4	40-52	RE62645	1E9	24	30-5
RE160416	1G21	6	40-49	RE503256	1E7	20	30-3	RE62718	4I10	2	160-16
RE160421	1G21	6	40-49	RE503256	1E13	6	30-9	RE62719	4I7	2	160-12
RE160425	1G21	6	40-49	RE503528	1C17	8	25-10	RE62776	1E2	3	25-49
RE21364	1F16	33	40-15	RE504121	1B21	7	20-19	RE62777	1E2	4	25-49
RE21790	1E16	9	30-12	RE504122	1B21	7	20-19	RE63439	1D14	2	25-35
RE21790	1E17	4	30-13	RE504139	1E15	2	30-11	RE63439	1D14	15	25-35
RE22642	2C25	16	50-49	RE504195	1C19	3	25-12	RE63932	1E23	6	30-19
RE22764	1C22	5	25-15	RE504195	1C21	3	25-14	RE64134	1D23	12	25-45
RE24045	1D3	11	25-22	RE504198	1C19	5	25-12	RE64184	1E7	14	30-3
RE24046	1D3	13	25-22	RE504198	1C21	2	25-14	RE64184	1E12	5	30-8
RE24307	2F19	3	70-9	RE504200	1C21	2	25-14	RE64184	1E12	13	30-8
RE27837	2D3	5	50-52	RE504201	1C16	1	25-9	RE64509	1C16	1	25-9
RE28217	1E9	20	30-5	RE504363	1C22	5	25-15	RE64509	1C17	10	25-10
RE32824	2C25	10	50-49	RE504460	1C14	1	25-7	RE64767	1D23	2	25-45
RE32856	1D14	12	25-35	RE504635	1E9	3	30-5	RE65265	1E11	1	30-7
RE33336	2C25	..	50-49	RE504822	1D14	1	25-35	RE65787	1E15	5	30-11
RE33336	2D2	..	50-51	RE504828	1E2	30	25-49	RE65814	3D10	10	95-10

NUMERICAL INDEX - CONTINUED

PART NO.	GRID	KEY	PAGE	PART NO.	GRID	KEY	PAGE	PART NO.	GRID	KEY	PAGE
RE65815	3D3	5	95-3	R11086	1C24	6	25-17	R120186	1E7	8	30-3
RE65815	3D5	10	95-5	R11086	1D17	5	25-39	R120186	1E7	9	30-3
RE65816	3C2	11	90-27	R111156	3D22	5	100-5	R120187	1D23	13	25-45
RE66351	1D23	2	25-45	R111692	1H15	3	40-69	R120461	4D22	9	140-15
RE67013	1F14	5	40-13	R111692	3F25	3	100-59	R120646	1E2	13	25-49
RE67014	1F14	8	40-13	R111995	2C25	1	50-49	R120752	1C18	2	25-11
RE67015	1F14	6	40-13	R112053	1C25	7	25-18	R120752	1C19	1	25-12
RE67934	1E9	9	30-5	R112268	1H6	17	40-59	R120752	1C20	1	25-13
RE68495	1F14	1	40-13	R112679	1H15	5	40-69	R120872	1C25	3	25-18
RE68715	1H6	4	40-59	R112679	3F25	5	100-59	R120953	1C12	21	25-5
RE68722	1H6	2	40-59	R11278	3B6	5A	90-4	R120954	1C12	21	25-5
RE68767	1D23	5	25-45	R112857	2C15	12	50-37	R120955	3D9	16	95-9
RE68767	1D24	8	25-46	R112857	2C22	32	50-45	R120956	3D9	..	95-9
RE68844	1D23	9	25-45	R112887	2C5	4	50-27	R121163	1D10	8	25-30
RE69581	1D19	16	25-41	R113050	3D10	3	95-10	R121164	1E9	6	30-5
RE69704	1H8	7	40-61	R113050	3D12	2	95-12	R121193	1D2	13	25-21
RE69844	1D17	9	25-39	R113164	1B18	3	20-16	R121195	1E9	5	30-5
RE70486	1H8	12	40-61	R113364	3B25	16	90-25	R121316	1D17	10	25-39
RE70487	1H8	10	40-61	R114022	1E19	12	30-15	R121320	1D2	8	25-21
RE70688	1C14	1	25-7	R114023	1E19	11	30-15	R121338	1C17	7	25-10
RE70688	1C16	1	25-9	R114130	1C12	2	25-5	R121338	1C19	7	25-12
RE70688	1C17	10	25-10	R114130	1E9	8	30-5	R121342	1C20	3	25-13
RE70756	1H8	6	40-61	R114130	1H8	14	40-61	R121342	1C21	3	25-14
RE70773	1F19	30	40-19	R114160	1D19	4	25-41	R121343	1C21	3	25-14
RE70773	1G10	20	40-37	R114203	3B25	17	90-25	R121346	1C20	3	25-13
RE70957	1H8	7	40-61	R114825	1B9	14	20-7	R121346	1C21	3	25-14
RE71121	1H20	2	40-74	R114837	1H6	3	40-59	R121347	1C21	3	25-14
RE71255	1D12	20	25-33	R115129	1C24	3	25-17	R121350	1C20	5	25-13
RE71255	1D20	1	25-42	R115471	1C14	1	25-7	R121350	1C21	2	25-14
RG24026	1D2	..	25-21	R115742	3D11	..	95-11	R121351	1C21	2	25-14
RV702A	2E3	25	60-3	R115743	3D13	4	95-13	R121354	1C20	5	25-13
RV810A	3I22	3	125-7	R116081	1C17	7	25-10	R121354	1C21	2	25-14
RV810A	3I24	17	125-9	R116081	1C20	7	25-13	R121355	1C21	2	25-14
RV810A	3J12	14	125-21	R116082	1C21	3	25-14	R121489	1D2	10	25-21
R100569	1D7	10	25-27	R116083	1C21	3	25-14	R121490	1D2	7	25-21
R100569	1D8	1	25-28	R116084	1C19	4	25-12	R121491	1D2	6	25-21
R100569	1E2	31	25-49	R116084	1C21	2	25-14	R121765	1C12	3	25-5
R100727	2C25	21	50-49	R116085	1C19	4	25-12	R121765	1C14	1	25-7
R100747	1D23	18	25-45	R116085	1C19	5	25-12	R121765	1D15	2	25-36
R100911	1E2	2	25-49	R116233	1D9	2	25-29	R122364	1C12	20	25-5
R10093	3D9	14	95-9	R116311	1C18	4	25-11	R122419	1D2	18	25-21
R10093	3D10	5	95-10	R116311	1C19	8	25-12	R122430	1D17	11	25-39
R102882	1D2	5	25-21	R116311	1C20	8	25-13	R122492	1D2	18	25-21
R104587	1C18	3	25-11	R116311	1E3	2	25-50	R122595	1D24	2	25-46
R104587	1C19	2	25-12	R116718	1D7	12	25-27	R122618	1D23	14	25-45
R104587	1C20	2	25-13	R116718	1D9	6	25-29	R122653	1C19	9	25-12
R104589	1C25	6	25-18	R117060	1E2	37	25-49	R122654	1C20	9	25-13
R104592	1C12	12	25-5	R117073	1D12	6	25-33	R12363	1F16	2	40-15
R104621	1D12	18	25-33	R117569	3B25	20	90-25	R12363	1F16	3	40-15
R104628	1D7	14	25-27	R119132	1D2	12	25-21	R12363	1F16	9	40-15
R104628	1D8	3	25-28	R119223	1E15	11	30-11	R12363	1F16	18	40-15
R104656	1C24	9	25-17	R119383	1D17	4	25-39	R12365	1G18	5	40-45
R104656	1C25	5	25-18	R119383	1E2	20	25-49	R124030	1E2	..	25-49
R104846	4H13	20	155-9	R119384	1C24	2	25-17	R124186	1D12	13	25-33
R104846	4H17	6	155-13	R119384	1E2	22	25-49	R124211	1D19	6	25-41
R104859	1C24	5	25-17	R119795	1D17	13	25-39	R124211	1E2	8	25-49
R104919	4H13	27	155-9	R119847	1D12	12	25-33	R124328	1D7	15	25-27
R104919	4H17	10	155-13	R119847	1E2	28	25-49	R124381	1C21	1	25-14
R104927	1G4	6	40-31	R120181	1E7	4	30-3	R124607	1D19	15	25-41
R104927	1G4	31	40-31	R120182	1E7	4	30-3	R124607	1E2	7	25-49
R105346	1D23	11	25-45	R120183	1E7	8	30-3	R124741	1D17	21	25-39
R105346	1E2	14	25-49	R120183	1E7	9	30-3	R124842	1C20	4	25-13
R107890	3C12	10	90-37	R120183	1E7	10	30-3	R124842	1C21	1	25-14
R109625	1D9	1	25-29	R120184	1E7	8	30-3	R124859	3B25	18	90-25
R109625	1E2	32	25-49	R120184	1E7	9	30-3	R124859	3B25	21	90-25
R110126	1C25	2	25-18	R120185	1E7	4	30-3	R124898	3B25	26	90-25
R110126	1D3	15	25-22	R120185	1E7	10	30-3	R124903	3B25	38	90-25

NUMERICAL INDEX - CONTINUED

PART NO.	GRID	KEY	PAGE	PART NO.	GRID	KEY	PAGE	PART NO.	GRID	KEY	PAGE
R124963	1B19	3	20 - 17	R26375	2E19	1	60 - 19	R26906	2C23	2	50 - 46
R125025	1D17	1	25 - 39	R26375	2F11	9	70 - 1	R26906	2F13	14	70 - 3
R125025	1D19	12	25 - 41	R26375	2F13	1	70 - 3	R26906	2F15	1	70 - 5
R125027	1C22	3	25 - 15	R26375	2G7	4	70 - 22	R26906	2G5	17	70 - 20
R125072	1D17	22	25 - 39	R26375	2G15	1	70 - 31	R26906	2G5	34	70 - 20
R125183	1C23	4	25 - 16	R26375	2G17	10	70 - 33	R26906	2G6	14	70 - 21
R126337	1D9	5	25 - 29	R26375	2G19	8	70 - 35	R26906	2G12	16	70 - 28
R126355	3C2	26	90 - 27	R26375	2H10	5	70 - 51	R26906	2H2	19	70 - 43
R127181	1E12	11	30 - 8	R26375	2H12	3	70 - 53	R26906	2H6	5	70 - 47
R127224	3B25	34	90 - 25	R26375	2H16	33	70 - 57	R26906	2H8	13	70 - 49
R127297	1D10	11	25 - 30	R26375	2H18	9	70 - 59	R26906	2I2	11	70 - 69
R127873	1D14	2	25 - 35	R26375	2I4	14	70 - 71	R26906	2I4	10	70 - 71
R127873	1D14	16	25 - 35	R26375	3D22	3	100 - 5	R26906	3D24	33	100 - 7
R128232	3B25	28	90 - 25	R26375	3D24	20	100 - 7	R26906	3E2	30	100 - 11
R128662	1C4	8	20 - 27	R26375	3E2	33	100 - 11	R26906	4C12	7	135 - 3
R128694	1D12	2	25 - 33	R26375	3E2	39	100 - 11	R26906	4D10	2	140 - 3
R128893	1B19	5	20 - 17	R26375	3F19	1	100 - 52	R26906	4D12	17	140 - 5
R129820	1D12	10	25 - 33	R26375	3J4	15	125 - 13	R26906	4D14	31	140 - 7
R129821	1D12	16	25 - 33	R26375	4C12	15	135 - 3	R27094	1B25	9	20 - 23
R130573	1D20	4	25 - 42	R26375	4C16	3	135 - 7	R27149	1C12	16	25 - 5
R130988	3B25	37	90 - 25	R26375	4C24	1	135 - 15	R27166	2C20	9	50 - 43
R130989	3B25	39	90 - 25	R26375	4D4	7	135 - 19	R27175	2C22	26	50 - 45
R130990	3B25	29	90 - 25	R26375	4D12	2	140 - 5	R27175	2C23	1	50 - 46
R131002	1H6	12	40 - 59	R26375	4D22	32	140 - 15	R27218	2C18	21	50 - 40
R131003	1H6	10	40 - 59	R26375	4E16	35	140 - 37	R27218	2C20	20	50 - 43
R131890	1H6	16	40 - 59	R26375	4G4	8	150 - 15	R27218	2D8	28	50 - 59
R131949	1B16	2	20 - 14	R26375	4I20	15	160 - 27	R27218	2F11	13	70 - 1
R131950	1B16	3	20 - 14	R26448	1E11	3	30 - 7	R27218	3E2	37	100 - 11
R132290	1D20	2	25 - 42	R26448	1E19	31	30 - 15	R27218	4D12	13	140 - 5
R132396	1D10	2	25 - 30	R26448	2C18	20	50 - 40	R27443	1D3	9	25 - 22
R132981	1H4	5	40 - 57	R26448	2C20	19	50 - 43	R27474	1D14	14	25 - 35
R133998	1D19	14	25 - 41	R26448	2C22	11	50 - 45	R27474	2G5	33	70 - 20
R134010	1H6	14	40 - 59	R26448	2D8	27	50 - 59	R27474	4D14	32	140 - 7
R134138	3B25	19	90 - 25	R26448	2D20	10	50 - 71	R27564	2G5	14	70 - 20
R134602	1D10	4	25 - 30	R26448	2E17	14	60 - 17	R27564	4D25	42	140 - 19
R135423	1H6	11	40 - 59	R26448	2E25	1	60 - 25	R27796	2B24	7	50 - 21
R135509	1H8	11	40 - 61	R26448	2F11	12	70 - 1	R27796	2C2	8	50 - 23
R135510	1H8	9	40 - 61	R26448	2F17	20	70 - 7	R27928	2G6	6	70 - 21
R135728	1B19	1	20 - 17	R26448	2F24	3	70 - 15	R27928	4D2	7	135 - 17
R135895	1D14	7	25 - 35	R26448	2G2	3	70 - 17	R28776	2G6	1	70 - 21
R136083	1D3	3	25 - 22	R26448	2G4	3	70 - 19	R28776	4D12	4	140 - 5
R136320	1D2	3	25 - 21	R26448	2G5	28	70 - 20	R28782	2C17	36	50 - 39
R150659	3B25	40	90 - 25	R26448	2G7	8	70 - 22	R28782	2C23	10	50 - 46
R150660	3B25	25	90 - 25	R26448	2G9	27	70 - 25	R28782	2C25	24	50 - 49
R154320	3D8	5	95 - 8	R26448	2G15	23	70 - 31	R28782	2D8	29	50 - 59
R159807	3D5	11	95 - 5	R26448	2G23	11	70 - 39	R28782	2D20	17	50 - 71
R1612R	1C12	10	25 - 5	R26448	2H4	17	70 - 45	R28782	2G5	31	70 - 20
R1818R	2B18	4	50 - 14	R26448	2H14	19	70 - 55	R28782	2G9	20	70 - 25
R1964R	4E22	22	140 - 43	R26448	2H16	27	70 - 57	R28782	2G11	19	70 - 27
R20135	4E8	3	140 - 29	R26448	2H21	9	70 - 62	R28782	2H21	6	70 - 62
R21612	2E9	27	60 - 9	R26448	3E2	39	100 - 11	R28782	3F19	9	100 - 52
R21722	4I20	12	160 - 27	R26448	4C12	16	135 - 3	R28782	4C16	4	135 - 7
R25381-RAH	2F17	26	70 - 7	R26448	4C24	26	135 - 15	R28782	4D12	14	140 - 5
R25386-RAT	2F17	26	70 - 7	R26448	4D10	9	140 - 3	R28811	1C23	3	25 - 16
R26058	1C22	4	25 - 15	R26448	4D12	10	140 - 5	R29936	2D16	14	50 - 67
R26058	1E2	33	25 - 49	R26448	4G4	7	150 - 15	R29936	2D23	9	50 - 74
R26079	1D3	8	25 - 22	R26448	4G25	14	150 - 37	R29936	2E17	12	60 - 17
R26081	1D3	2	25 - 22	R26501	3C4	30	90 - 29	R29936	2F13	15	70 - 3
R26192	3C6	28	90 - 31	R26524	3C4	32	90 - 29	R29936	2F13	24	70 - 3
R26192	3C6	30	90 - 31	R26559	1D3	4	25 - 22	R29936	2F15	15	70 - 5
R26207	2B17	6	50 - 13	R26650	2C25	15	50 - 49	R29936	2H2	22	70 - 43
R26265	2B22	7	50 - 19	R26650	2D2	5	50 - 51	R29936	2H6	2	70 - 47
R26333	1E3	4	25 - 50	R26650	4I12	11	160 - 19	R29936	2H25	5	70 - 67
R26375	2B18	10	50 - 14	R26748	1D3	12	25 - 22	R29936	2I2	13	70 - 69
R26375	2D5	12	50 - 55	R26871	1H15	4	40 - 69	R30378	1F9	43	40 - 7
R26375	2D22	1	50 - 73	R26871	3F25	4	100 - 59	R30399	2F3	15	60 - 29
R26375	2E17	5	60 - 17	R26906	2C17	6	50 - 39	R30903	2C17	19	50 - 39

NUMERICAL INDEX - CONTINUED

PART NO.	GRID	KEY	PAGE	PART NO.	GRID	KEY	PAGE	PART NO.	GRID	KEY	PAGE
R30903	2G11	14	70-27	R41934	1C19	6	25-12	R502081	1C24	4	25-17
R31378	3F21	2	100-55	R41934	1C20	6	25-13	R502288	1H4	6	40-57
R31674	2D8	24	50-59	R42009	2E11	6	60-11	R50390	1E2	21	25-49
R32011	1F11	8	40-9	R42340	1C12	9	25-5	R50405	1E2	18	25-49
R32016	1F11	10	40-9	R42729	1B17	2	20-15	R50424	1D10	12	25-30
R32017	1F11	11	40-9	R42926	2D8	1	50-59	R50424	1E2	35	25-49
R32017	1F16	16	40-15	R42926	4D12	38	140-5	R50456	3B10	9	90-9
R32018	1F11	12	40-9	R43305	4D14	6	140-7	R50642	4F17	19	150-3
R32019	1F11	13	40-9	R43383	3I2	16	120-11	R50770	4E12	12	140-33
R32021	1F11	14	40-9	R43383	3I8	20	120-17	R51031	2C17	33	50-39
R32022	1F11	15	40-9	R43409	1C12	1	25-5	R51031	2C23	17	50-46
R32023	1F11	16	40-9	R43621	1C12	13	25-5	R51031	2C25	25	50-49
R32023	1F16	36	40-15	R43660	1D12	9A	25-33	R51031	2D8	21	50-59
R32024	1F12	3	40-10	R44302	1G19	9	40-46	R51031	2G5	32	70-20
R32025	1F12	4	40-10	R44302	2E13	1	60-13	R51053	1D10	10	25-30
R32026	1F9	48	40-7	R44302	2E19	36	60-19	R51603	1E12	2	30-8
R32026	1F11	17	40-9	R44302	2G19	13	70-35	R51936	1E7	19	30-3
R32027	1F11	18	40-9	R44302	2H18	10	70-59	R51936	1E9	2	30-5
R32028	1F11	19	40-9	R44302	3H12	8	110-25	R51937	1E7	23	30-3
R32176	1G23	8	40-51	R44342	3C6	38	90-31	R52015	2C9	3	50-31
R32214	2C25	13	50-49	R45182	2D8	23	50-59	R53108	1E2	34	25-49
R32214	2D6	4	50-56	R45187	2D8	3	50-59	R53436	1B19	7	20-17
R32239	2G21	12	70-37	R45187	4D12	40	140-5	R53543	2C17	30	50-39
R33058	3E2	8	100-11	R45638	2D8	4	50-59	R53668	2D5	6	50-55
R33079	3E2	3	100-11	R45638	4D12	41	140-5	R53899	1E2	25	25-49
R33088	3D24	5	100-7	R459R	4D2	27	135-17	R53899	1E9	19	30-5
R33088	3E2	5	100-11	R46414	3E12	17	100-21	R53899	1E10	3	30-6
R33138	2B18	11	50-14	R46667	2H6	11	70-47	R53901	1E10	5	30-6
R33138	4D12	1	140-5	R46701	2D8	5	50-59	R54025	1E11	2	30-7
R33259	3D9	5	95-9	R46701	4D12	42	140-5	R54123	1B21	4	20-19
R33259	3D10	2	95-10	R47151	1D14	10	25-35	R54380	2C9	24	50-31
R33259	3D12	3	95-12	R47151	1D14	13	25-35	R54380	2C11	8	50-33
R33521	4D12	33	140-5	R47153	1D10	9	25-30	R54445	1G12	3	40-39
R34802	4D2	15	135-17	R47153	1D12	7	25-33	R54445	1G12	6	40-39
R35192	4I7	15	160-12	R47153	1E2	27	25-49	R54445	1G12	9	40-39
R35192	4I10	15	160-16	R47160	1E17	3	30-13	R54565	1D3	1	25-22
R35352	2C9	10	50-31	R47449	4D12	26	140-5	R54856	1E2	24	25-49
R35352	2C11	6	50-33	R47693	1B21	5	20-19	R55326	3H24	13	120-9
R35542	4E20	23	140-41	R47998	3C6	37	90-31	R56101	1E19	3	30-15
R35542	4F4	8	140-49	R48887	1F7	17	40-5	R56722	4E18	27	140-39
R35542	4G20	3	150-31	R48887	1G4	5	40-31	R56782	4D12	6	140-5
R35794	2E17	16	60-17	R49376	1D14	1	25-35	R56930	2H21	5	70-62
R36119	1B5	17	20-3	R495R	2B20	17	50-17	R56930	4G6	19	150-17
R36426	4I20	16	160-27	R495R	3D25	2	100-8	R57269	2C25	7	50-49
R36599	1C12	5	25-5	R495R	3E22	3	100-31	R57269	2F5	13	60-31
R36728	4C18	8	135-9	R49866	1D4	7	25-23	R57696	1D7	5	25-27
R375R	4D3	3	135-18	R49866	1E2	6	25-49	R57725	1B17	1	20-15
R38131	4E3	36	140-23	R500055	1D10	5	25-30	R57771	1C17	2	25-10
R39081	3D24	16	100-7	R500055	1D12	3	25-33	R58186	1E7	4	30-3
R39081	3E2	16	100-11	R500197	1D19	9	25-41	R58806	3D6	3	95-6
R39112	2D5	13	50-55	R500330	1D12	14	25-33	R59297	1E7	8	30-3
R39112	3D25	8	100-8	R500354	1D14	2	25-35	R59297	1E7	9	30-3
R39112	3E2	37	100-11	R500355	1D14	2	25-35	R59297	1E7	10	30-3
R39112	3E2	40	100-11	R500355	1D14	15	25-35	R60170	3D9	15	95-9
R39112	4E16	36	140-37	R500355	1D14	16	25-35	R60239	2D5	4	50-55
R394R	2B20	7	50-17	R500355	1D14	17	25-35	R60239	2F5	3	60-31
R394R	3D25	3	100-8	R500413	1H2	11	40-55	R60273	1E12	7	30-8
R39554	3C6	3	90-31	R500413	1H4	19	40-57	R60274	1E12	8	30-8
R39554	3C6	8	90-31	R500413	1H6	6	40-59	R60275	1E12	9	30-8
R39741	1B21	2	20-19	R500642	1C12	15	25-5	R60277	1E12	1	30-8
R39741	1C12	6	25-5	R500642	1D7	1	25-27	R60278	1E12	4	30-8
R39876	2C25	5	50-49	R501034	1C17	6	25-10	R60279	1E12	3	30-8
R40236	1D9	4	25-29	R501035	1C16	1	25-9	R60730	2E3	15	60-3
R40915	1H15	6	40-69	R501035	1C17	4	25-10	R60730	3C19	6	90-44
R41076	1H15	2	40-69	R501414	1C23	4	25-16	R61288	1C12	24	25-5
R41076	3F25	2	100-59	R501465	1D17	23	25-39	R61497	1D5	1	25-24
R41934	1C18	1	25-11	R502011	1H6	15	40-59	R62192	4E16	21	140-37

NUMERICAL INDEX - CONTINUED

PART NO.	GRID	KEY	PAGE	PART NO.	GRID	KEY	PAGE	PART NO.	GRID	KEY	PAGE
R62502	3D20	34	100 - 3	R70114	2B24	18	50 - 21	R77175	2H4	19	70 - 45
R62502	3G8	14	100 - 67	R70114	2C2	19	50 - 23	R77175	4C16	33	135 - 7
R62938	1D7	2	25 - 27	R70115	2B24	19	50 - 21	R77175	4D12	12	140 - 5
R63016	1E10	6	30 - 6	R70115	2C2	20	50 - 23	R77178	2G19	9	70 - 35
R63308	2B20	38	50 - 17	R70210	1F9	40	40 - 7	R77178	4I20	4	160 - 27
R63308	2C15	10	50 - 37	R70210	1F9	41	40 - 7	R77456	1F7	27	40 - 5
R63666	1G14	13	40 - 41	R70211	1F9	40	40 - 7	R77457	1F7	29	40 - 5
R63667	1G14	14	40 - 41	R70211	1F9	41	40 - 7	R77458	1F7	28	40 - 5
R63668	1G14	15	40 - 41	R70212	1F9	40	40 - 7	R77459	1F7	28	40 - 5
R63669	1G14	16	40 - 41	R70212	1F9	41	40 - 7	R77460	1F7	28	40 - 5
R63670	1G14	34	40 - 41	R70213	1F9	40	40 - 7	R77461	1F7	28	40 - 5
R63845	1D24	5	25 - 46	R70214	1F9	40	40 - 7	R77462	1F7	25	40 - 5
R63980	4D12	5	140 - 5	R70214	1F9	41	40 - 7	R77463	1F7	30	40 - 5
R64056	1G12	13	40 - 39	R70215	1F9	40	40 - 7	R77464	1F7	26	40 - 5
R64058	1G12	16	40 - 39	R70216	1F9	40	40 - 7	R77464	2F24	17	70 - 15
R64059	1G12	12	40 - 39	R70216	1F9	41	40 - 7	R77464	2G2	17	70 - 17
R64060	1G12	10	40 - 39	R70217	1F9	40	40 - 7	R77464	2G4	17	70 - 19
R64698	2D8	10	50 - 59	R70218	1F9	40	40 - 7	R77465	1F7	31	40 - 5
R64698	4D12	47	140 - 5	R70218	1F9	41	40 - 7	R77466	1F7	33	40 - 5
R65569	3C8	2	90 - 33	R70219	1F9	40	40 - 7	R77467	1F7	34	40 - 5
R65593	1F11	2	40 - 9	R70220	1F9	50	40 - 7	R77468	1F7	32	40 - 5
R65594	1F11	9	40 - 9	R70221	1F9	39	40 - 7	R77469	1F9	35	40 - 7
R65595	1F11	21	40 - 9	R70222	1F9	38	40 - 7	R77470	1F9	45	40 - 7
R65596	1F11	22	40 - 9	R70826	1D3	6	25 - 22	R77471	1F9	45	40 - 7
R65597	1F11	23	40 - 9	R71144	2B18	6	50 - 14	R77472	1F9	45	40 - 7
R65598	1F11	24	40 - 9	R71208	1D3	7	25 - 22	R77473	1F9	45	40 - 7
R65599	1F11	25	40 - 9	R71210	1B25	13	20 - 23	R77474	1F9	44	40 - 7
R65599	1G8	10	40 - 35	R71212	1E7	8	30 - 3	R77475	1F7	13	40 - 5
R65600	1F11	26	40 - 9	R71212	1E7	9	30 - 3	R77476	1F7	3	40 - 5
R65601	1F11	27	40 - 9	R71351	1B9	8	20 - 7	R77477	1F7	4	40 - 5
R65602	1F9	49	40 - 7	R71351	1B9	9	20 - 7	R77478	1F7	15	40 - 5
R65602	1F11	28	40 - 9	R71351	1E13	7	30 - 9	R77479	1F7	5	40 - 5
R65603	1F11	29	40 - 9	R71711	2D2	7	50 - 51	R77479	1F16	32	40 - 15
R65604	1F11	30	40 - 9	R71732	1D7	11	25 - 27	R77480	1F7	6	40 - 5
R65605	1F11	31	40 - 9	R71732	1D7	13	25 - 27	R77480	1G8	2	40 - 35
R65606	1F11	32	40 - 9	R71732	1D9	7	25 - 29	R77480	1G8	3	40 - 35
R65607	1F9	46	40 - 7	R71756	4E3	10	140 - 23	R77481	1F7	7	40 - 5
R65607	1F11	33	40 - 9	R71758	4E3	6	140 - 23	R77482	1F7	8	40 - 5
R65608	1F11	3	40 - 9	R72032	4D18	23	140 - 11	R77483	1F7	16	40 - 5
R65609	1F11	6	40 - 9	R72328	1D19	11	25 - 41	R77484	1F7	19	40 - 5
R65610	1F11	7	40 - 9	R72328	1E2	9	25 - 49	R77485	1F7	21	40 - 5
R65828	4C18	12	135 - 9	R72659	2H25	8	70 - 67	R77486	1F7	22	40 - 5
R66197	3D24	1	100 - 7	R73094	3B25	36	90 - 25	R77487	1F7	23	40 - 5
R66197	3E2	1	100 - 11	R73102	2D2	2	50 - 51	R77488	1F9	51	40 - 7
R66319	1F11	1	40 - 9	R73102	2D5	2	50 - 55	R77489	1F9	51	40 - 7
R66320	1F7	24	40 - 5	R73290	3E10	13	100 - 19	R77489	1F16	7	40 - 15
R66320	1F11	5	40 - 9	R73384	3C8	13	90 - 33	R77489	1F16	15	40 - 15
R66321	1F7	24	40 - 5	R73498	1E16	4	30 - 12	R77490	1F9	51	40 - 7
R66321	1F11	4	40 - 9	R74008	1C17	3	25 - 10	R77491	1F9	54	40 - 7
R66651	3E24	16	100 - 33	R74689	2D2	11	50 - 51	R77492	1F9	54	40 - 7
R66651	3F4	9	100 - 37	R74690	2D2	9	50 - 51	R77493	1F9	51	40 - 7
R66718	1B9	7	20 - 7	R74693	2D2	13	50 - 51	R77494	1F9	55	40 - 7
R67092	1E15	1	30 - 11	R74693	2D2	14	50 - 51	R77495	1F9	52	40 - 7
R67264	1E9	13	30 - 5	R74694	2D2	13	50 - 51	R77496	1F9	52	40 - 7
R67264	1E9	15	30 - 5	R74694	2D2	14	50 - 51	R77497	1F9	53	40 - 7
R67377	1G17	10	40 - 44	R74696	2D2	10	50 - 51	R77498	1F7	24	40 - 5
R67879	1E10	8	30 - 6	R74697	2D2	12	50 - 51	R77499	1F7	24	40 - 5
R67879	1E11	5	30 - 7	R76358	1E9	7	30 - 5	R77500	1F7	24	40 - 5
R68102	2D2	4	50 - 51	R76358	1E10	2	30 - 6	R77501	1F7	24	40 - 5
R68102	2F5	16	60 - 31	R76937	4D16	9	140 - 9	R77502	1F9	56	40 - 7
R68824	4D16	11	140 - 9	R77175	2C18	23	50 - 40	R77503	1F9	56	40 - 7
R69536	2C25	22	50 - 49	R77175	2C22	9	50 - 45	R77551	1E2	5	25 - 49
R69936	1D24	3	25 - 46	R77175	2F17	22	70 - 7	R77738	1G6	3	40 - 33
R70112	2B24	15	50 - 21	R77175	2F24	1	70 - 15	R77764	4D16	8	140 - 9
R70112	2C2	16	50 - 23	R77175	2G2	1	70 - 17	R78025	2F6	6	60 - 32
R70113	2B24	17	50 - 21	R77175	2G4	1	70 - 19	R78025	2F7	10	60 - 33
R70113	2C2	18	50 - 23	R77175	2G5	30	70 - 20	R78026	2F6	4	60 - 32

NUMERICAL INDEX - CONTINUED

PART NO.	GRID	KEY	PAGE	PART NO.	GRID	KEY	PAGE	PART NO.	GRID	KEY	PAGE
R78026	2F7	4	60-33	R78060	1H13	6	40-66	R85588	2C25	2	50-49
R78027	2F1	2	60-26	R78060	4D12	15	140-5	R86061	1D19	3	25-41
R78047	1F5	3	40-3	R78060	4H13	14	155-9	R86063	1D12	8	25-33
R78048	1F5	10	40-3	R78061	1F5	6	40-3	R86457	1H15	8	40-69
R78048	1G17	1	40-44	R78061	1F5	23	40-3	R86457	3F25	8	100-59
R78048	1G19	6	40-46	R78061	2D8	14	50-59	R86571	1D5	2	25-24
R78048	1H13	6	40-66	R78061	2G6	16	70-21	R86743	1E2	17	25-49
R78048	2G21	13	70-37	R78062	1F5	1	40-3	R87345	3H24	12	120-9
R78048	4H13	15	155-9	R78063	1F5	1	40-3	R87561	1C12	23	25-5
R78049	1F5	15	40-3	R78063	1F5	7	40-3	R87561	1C25	1	25-18
R78049	4H11	16	155-7	R78063	1G14	33	40-41	R88397	1D19	5	25-41
R78050	1F5	19	40-3	R78063	1G19	8	40-46	R88397	1E2	12	25-49
R78051	1F5	24	40-3	R78063	1H10	13	40-63	R88829	2C25	11	50-49
R78051	1H10	1	40-63	R78063	4D12	15	140-5	R88959	2D3	3	50-52
R78052	1F5	5	40-3	R78063	4H13	13	155-9	R88960	2D3	3	50-52
R78053	1F5	13	40-3	R78063	4H17	5	155-13	R88993	1E2	1	25-49
R78053	1F16	4	40-15	R78064	1F5	27	40-3	R89012	2D3	4	50-52
R78053	1F16	19	40-15	R78064	4H11	15	155-7	R89014	1E9	23	30-5
R78053	1F16	28	40-15	R78069	4H17	1	155-13	R89015	2D5	14	50-55
R78053	1F16	31	40-15	R78069	4H18	7	155-14	R89439	1D19	17	25-41
R78053	1F19	8	40-19	R78965	4H17	13	155-13	R89610	2C25	12	50-49
R78053	1F19	17	40-19	R78965	4H18	6	155-14	R89879	1E2	16	25-49
R78053	1F21	31	40-21	R79060	1E9	14	30-5	R89927	1E15	6	30-11
R78053	1F21	40	40-21	R79117	2H20	9	70-61	R90080	2C9	3	50-31
R78053	1F21	41	40-21	R79604	1E7	18	30-3	R90521	3F2	5	100-35
R78053	1F21	62	40-21	R79846	1E3	5	25-50	R90565	2H20	4	70-61
R78053	1F24	4	40-25	R80R	4E3	37	140-23	R91519	1D24	1	25-46
R78053	1F24	14	40-25	R82007	1C12	22	25-5	R91822	1D2	4	25-21
R78053	1F24	16	40-25	R82571	2H20	7	70-61	R92097	1D23	3	25-45
R78053	1F24	17	40-25	R83020	1D24	7	25-46	R92097	1E2	15	25-49
R78053	1F24	19	40-25	R83021	1D24	6	25-46	R92104	2C25	17	50-49
R78053	1G2	4	40-29	R83489	1E2	25	25-49	R92148	2D3	1	50-52
R78053	1G2	14	40-29	R83489	1E10	7	30-6	R92160	2C25	4	50-49
R78053	1G2	17	40-29	R83489	1E15	4	30-11	R92977	2D6	1	50-56
R78053	1G2	18	40-29	R83720	1E12	6	30-8	R92978	2D6	1	50-56
R78053	1G2	20	40-29	R83721	1E12	6	30-8	R92979	2D3	4	50-52
R78053	1G8	13	40-35	R83722	1E12	6	30-8	R93008	1E10	11	30-6
R78053	1G10	12	40-37	R83723	1E12	6	30-8	R93008	1E15	3	30-11
R78053	1G14	33	40-41	R83724	1E12	6	30-8	R93105	2D2	6	50-51
R78053	1G18	1	40-45	R83725	1E12	6	30-8	R93142	2C25	6	50-49
R78053	1G19	8	40-46	R83726	1E12	6	30-8	R93142	2D3	2	50-52
R78053	1H10	13	40-63	R83727	1E12	6	30-8	R93180	2C25	3	50-49
R78053	2D8	14	50-59	R83728	1E12	6	30-8	R93238	1C23	1	25-16
R78053	2G6	16	70-21	R83729	1E12	6	30-8	R93308	1D2	16	25-21
R78054	1F5	17	40-3	R83730	1E12	6	30-8	R93311	1D2	17	25-21
R78055	1F5	22	40-3	R83731	1E12	6	30-8	R93312	1D2	16	25-21
R78055	1F21	53	40-21	R83732	1E12	6	30-8	R93313	1D2	17	25-21
R78055	4H11	14	155-7	R83733	1E12	6	30-8	R93314	1D2	16	25-21
R78056	1F5	26	40-3	R83734	1E12	6	30-8	R93315	1D2	17	25-21
R78056	1F16	30	40-15	R83735	1E12	6	30-8	R93948	1C17	5	25-10
R78056	1F19	25	40-19	R83736	1E12	6	30-8	R94350	1H2	2	40-55
R78057	1F5	2	40-3	R83737	1E12	6	30-8	R94351	1H2	15	40-55
R78057	1G19	6	40-46	R83738	1E12	6	30-8	R96703	1H8	5	40-61
R78057	4H11	13	155-7	R83739	1E12	6	30-8	R98064	1D10	6	25-30
R78058	1F5	23	40-3	R84261	4E3	11	140-23	R98064	1D12	4	25-33
R78058	1G14	33	40-41	R84472	1E2	10	25-49	R98250	1H6	1	40-59
R78058	1G19	8	40-46	R84472	1E7	15	30-3	R98500	1E9	21	30-5
R78058	4H11	18	155-7	R84472	1E12	12	30-8	R98527	1C24	8	25-17
R78059	1F5	1	40-3	R84618	1D2	16	25-21	R98527	1D17	8	25-39
R78059	2D8	14	50-59	R84619	1D2	17	25-21	R99047	1E9	22	30-5
R78059	2G6	16	70-21	R85027	1D3	14	25-22	R99244	2C9	6	50-31
R78059	4D12	9	140-5	R85168	4D20	10	140-13	R99377	2D2	8	50-51
R78059	4H11	12	155-7	R85169	4D20	11	140-13	R99590	1B19	4	20-17
R78060	1F5	2	40-3	R85373	2D5	15	50-55	SE500184	1E7	14	30-3
R78060	1F5	9	40-3	R85374	2D5	8	50-55	SE500184	1E12	13	30-8
R78060	1G17	1	40-44	R85376	2D5	9	50-55	TY15130	3E2	..	100-11
R78060	1H10	1	40-63	R85378	2D5	10	50-55	TY15130	3J4	..	125-13

NUMERICAL INDEX - CONTINUED

PART NO.	GRID	KEY	PAGE	PART NO.	GRID	KEY	PAGE	PART NO.	GRID	KEY	PAGE
TY15949	3D11	..	95-11	TY9371	2B20	..	50-17	T29342	2C15	20	50-37
TY15950	3D11	..	95-11	TY9371	3C10	..	90-35	T30424	4I18	3	160-25
TY15951	3D11	..	95-11	TY9371	3D24	..	100-7	T32231	1D20	7	25-42
TY15969	4I2	..	160-7	TY9374	4D16	..	140-9	T32231	1G19	12	40-46
TY15969	4I6	..	160-11	T106409	1G10	3	40-37	T32231	3C19	21	90-44
TY15969	4I9	..	160-15	T10745	1H2	4	40-55	T32255	1G14	19	40-41
TY16004	1C10	2	25-3	T11180	1D23	1	25-45	T34067	1F7	18	40-5
TY16005	1C10	3	25-3	T119912	4E18	22	140-39	T34354	4D22	7	140-15
TY16086	1F7	24	40-5	T122720	4I2	4	160-7	T34355	4D22	7	140-15
TY16302	1G14	28	40-41	T122720	4I6	6	160-11	T34356	4D22	7	140-15
TY16423	1C10	..	25-3	T122720	4I9	8	160-15	T35390	1C12	14	25-5
TY21765	1H22	4	40-76	T12529	2F5	7	60-31	T40867	2J9	6	80-29
TY22007	1C9	2	25-2	T13119	1E16	2	30-12	T42798	4D2	20	135-17
TY22008	1C9	2	25-2	T13119	4D3	5	135-18	T42802	4D2	2	135-17
TY22010	1C9	2	25-2	T140425	4I6	14	160-11	T44604	1E7	16	30-3
TY22011	1C9	2	25-2	T14065	2C17	14	50-39	T44824	4D23	21	140-16
TY22025	3D11	..	95-11	T14323	4D16	18	140-9	T45132	4D12	27	140-5
TY22041	1C9	..	25-2	T146102	1H8	4	40-61	T45167	2C5	2	50-27
TY22042	1C9	..	25-2	T146104	1H8	8	40-61	T46438	4I7	12	160-12
TY22064	1C9	1	25-2	T146515	1H8	8	40-61	T47836	4E3	33	140-23
TY22065	1C9	1	25-2	T146516	1H8	8	40-61	T49676	4D16	35	140-9
TY22066	1C9	1	25-2	T146517	1H8	8	40-61	T50409	4D16	34	140-9
TY22067	1C9	1	25-2	T155858	1E17	2	30-13	T50415	4D16	1	140-9
TY22068	1C9	1	25-2	T15712	1E16	1	30-12	T531T	1G14	20	40-41
TY22069	1C9	1	25-2	T158584	1H2	16	40-55	T53268	1D19	2	25-41
TY22070	1C9	1	25-2	T16193	3C8	8	90-33	T55501	3C6	5	90-31
TY22073	1C9	1	25-2	T17148	3C6	43	90-31	T55585	3C6	6	90-31
TY22074	1C9	1	25-2	T17568	1E13	8	30-9	T55761	3G8	10	100-67
TY22101	3D11	..	95-11	T17568	1E19	14	30-15	T60314	4D12	32	140-5
TY22326	3J18	3	125-27	T18012	1E9	17	30-5	T62508	4D16	2	140-9
TY22326	4E20	20	140-41	T20077	1D2	2	25-21	T62509	4D16	4	140-9
TY22326	4G20	24	150-31	T20129	1D2	1	25-21	T62843	2I4	13	70-71
TY22329	4E16	11	140-37	T20217	4E8	27	140-29	T63817	2G21	8	70-37
TY22424	1B23	4	20-21	T20217	4F21	4	150-7	T65643	2G21	7	70-37
TY22467	1D4	3	25-23	T20294	1D4	4	25-23	T68818	4I2	17	160-7
TY22494	4D20	20	140-13	T20328	1D4	5	25-23	T68818	4I6	5	160-11
TY22494	4D20	21	140-13	T21242	1C23	2	25-16	T68818	4I9	5	160-15
TY22494	4D25	46	140-19	T21242	1D7	3	25-27	T70309	4D16	33	140-9
TY22494	4D25	47	140-19	T22714	4E8	23	140-29	T72393	2D10	16	50-61
TY22551	1E19	4	30-15	T22828	2H20	2	70-61	T72393	2D18	19	50-69
TY22552	1E19	24	30-15	T23027	2J21	2	80-41	T72393	4I20	21	160-27
TY24345	4D14	..	140-7	T23033	2J21	6	80-41	T75984	2G5	12	70-20
TY24446	1D4	..	25-23	T23529	3C6	29	90-31	T75984	2G6	2	70-21
TY24485	1H2	1	40-55	T24210	1E10	1	30-6	T75984	2G9	12	70-25
TY24485	1H2	13	40-55	T24715	4D2	30	135-17	T75984	2G11	12	70-27
TY6280	1C9	1	25-2	T25122	2I18	15	80-13	T75984	2G12	12	70-28
TY6304	2B17	..	50-13	T25122	2J2	1	80-21	T76836	2B17	10	50-13
TY6304	2B20	13	50-17	T26257	2G9	15	70-25	T76938	2E17	10	60-17
TY6304	2B20	..	50-17	T26938	2H6	17	70-47	T76938	2F13	17	70-3
TY6304	2C11	..	50-33	T27523	2I2	7	70-69	T76938	2F13	22	70-3
TY6304	4E3	..	140-23	T27523	3F19	3	100-52	T76938	2H25	10	70-67
TY6333	3D20	..	100-3	T27523	3F19	12	100-52	T77514	4D12	24	140-5
TY6333	3H18	5	120-3	T27550	1B23	9	20-21	T77613	1E19	32	30-15
TY6341	3J4	..	125-13	T27821	3E24	13	100-33	T77613	2D14	20	50-65
TY6341	4E3	..	140-23	T27860	1C22	2	25-15	T77613	2D20	4	50-71
TY6364	1C9	1	25-2	T27888	2B18	3	50-14	T77613	2E23	1	60-23
TY6389	1C9	2	25-2	T28256	2F11	11	70-1	T77613	2E25	3	60-25
TY6390	1C9	2	25-2	T28256	4D12	52	140-5	T77613	2G19	1	70-35
TY6391	1C9	2	25-2	T28583	1F7	1	40-5	T77613	2G23	3	70-39
TY6392	1C9	2	25-2	T28583	1F11	34	40-9	T77613	2H12	27	70-53
TY6393	1C9	2	25-2	T28583	1F24	11	40-25	T77613	2H14	22	70-55
TY6394	1C9	2	25-2	T28583	1G2	11	40-29	T77613	2H16	1	70-57
TY6750	1H2	1	40-55	T28583	1G8	7	40-35	T77613	2H18	5	70-59
TY6750	1H2	13	40-55	T28585	1F7	12	40-5	T77613	2H21	11	70-62
TY6764	3D11	..	95-11	T28585	1F11	35	40-9	T77613	3D22	17	100-5
TY9370	3B16	..	90-15	T28586	1F7	14	40-5	T77613	3F19	7	100-52
TY9371	2B17	..	50-13	T28862	1D23	16	25-45	T77613	4C16	8	135-7

NUMERICAL INDEX - CONTINUED

PART NO.	GRID	KEY	PAGE	PART NO.	GRID	KEY	PAGE	PART NO.	GRID	KEY	PAGE
T77613	4D12	35	140 - 5	T77932	4D12	36	140 - 5	U46370	1F7	20	40 - 5
T77613	4G4	4	150 - 15	T78313	2D10	4	50 - 61	U46370	1F11	36	40 - 9
T77613	4G25	6	150 - 37	T78313	2D12	4	50 - 63	U46662	1F7	10	40 - 5
T77814	2D20	8	50 - 71	T78313	2D14	5	50 - 65	U46662	1F11	37	40 - 9
T77814	2E25	12	60 - 25	T78313	2D18	8	50 - 69	U46662	1G6	11	40 - 33
T77814	2G23	5	70 - 39	T78313	2D20	31	50 - 71	U46663	1F11	38	40 - 9
T77814	2H12	4	70 - 53	T78707	2D23	11	50 - 74	U46664	1F9	47	40 - 7
T77814	2H14	4	70 - 55	T78716	2I4	4	70 - 71	U46664	1F11	39	40 - 9
T77814	2H18	6	70 - 59	T78716	4C24	5	135 - 15	W15277	2E10	6	60 - 10
T77814	2H21	8	70 - 62	T79098	2C9	25	50 - 31	W23690	2C17	21	50 - 39
T77814	4C16	6	135 - 7	T79098	2C11	20	50 - 33	W23690	4D2	28	135 - 17
T77857	2D8	2	50 - 59	T81029	2D20	6	50 - 71	W25634	4B20	6	130 - 18
T77857	2D22	7	50 - 73	T81029	2E23	2	60 - 23	W25634	4F4	12	140 - 49
T77857	2E17	7	60 - 17	T81029	2E25	19	60 - 25	W39621	3F8	6	100 - 41
T77857	2E19	3	60 - 19	T81029	3F19	4	100 - 52	W39621	3J4	3	125 - 13
T77857	2E21	2	60 - 21	T81029	4G4	3	150 - 15	W39621	4E12	1	140 - 33
T77857	2E23	11	60 - 23	U10063	4E3	20	140 - 23	W39621	4F6	21	140 - 51
T77857	2F21	13	70 - 11	U10746	2B22	20	50 - 19	Y3082BN	2J11	4	80 - 31
T77857	2G7	2	70 - 22	U10776	2B22	4	50 - 19	Z12714	3D24	2	100 - 7
T77857	2G15	3	70 - 31	U10776	3D24	41	100 - 7	Z12851	3D24	18	100 - 7
T77857	2G17	12	70 - 33	U11647	2D2	1	50 - 51	Z12964	2B24	16	50 - 21
T77857	2G19	16	70 - 35	U11647	2D5	1	50 - 55	Z12964	2C2	17	50 - 23
T77857	2H2	20	70 - 43	U12547	2C18	31	50 - 40	Z24604	4G18	19	150 - 29
T77857	2H6	7	70 - 47	U12547	2C22	23	50 - 45	Z33404	4B25	36	130 - 23
T77857	2H10	13	70 - 51	U12547	2D8	11	50 - 59	Z33404	4H2	6	150 - 39
T77857	2H16	35	70 - 57	U12547	2D8	19	50 - 59	Z36140	3I20	7	125 - 5
T77857	2I2	4	70 - 69	U12547	2D10	6	50 - 61	Z36140	4H11	19	155 - 7
T77857	2I4	5	70 - 71	U12547	2D12	5	50 - 63	Z39386	2J9	1	80 - 29
T77857	3D22	13	100 - 5	U12547	2D14	1	50 - 65	Z51633	1G16	7	40 - 43
T77857	4C12	10	135 - 3	U12547	2D16	11	50 - 67	Z55270	1G4	36	40 - 31
T77857	4C14	9	135 - 5	U12547	2D18	21	50 - 69	Z55270	1G4	37	40 - 31
T77857	4C16	10	135 - 7	U12547	2D20	3	50 - 71	Z55272	1G10	18	40 - 37
T77857	4C24	3	135 - 15	U12547	2D22	4	50 - 73	Z59868	4J20	..	170 - 23
T77857	4D12	28	140 - 5	U12547	2E17	1	60 - 17	Z60326	4J20	..	170 - 23
T77857	4I20	5	160 - 27	U12547	2F15	24	70 - 5	Z60327	4J20	..	170 - 23
T77857	4I20	9	160 - 27	U12547	2F21	15	70 - 11	Z60329	4J20	..	170 - 23
T77858	2D10	8	50 - 61	U12547	4C12	4	135 - 3	Z60332	4J21	..	170 - 24
T77858	2D12	7	50 - 63	U12547	4D3	1	135 - 18	Z60332	4J22	..	170 - 25
T77858	2D14	3	50 - 65	U12547	4D12	29	140 - 5	Z60332	4J24	..	170 - 27
T77858	2D14	16	50 - 65	U13639	1B21	6	20 - 19	Z60904	2F24	25	70 - 15
T77858	2D16	1	50 - 67	U13639	1C12	7	25 - 5	Z61813	3D24	3	100 - 7
T77858	2D18	7	50 - 69	U13639	1E2	23	25 - 49	Z61817	3D24	8	100 - 7
T77858	2D20	1	50 - 71	U15414	4D2	12	135 - 17	Z61818	3D20	36	100 - 3
T77858	2D22	3	50 - 73	U15415	2C15	15	50 - 37	Z61818	3D24	10	100 - 7
T77858	2D23	2	50 - 74	U15415	2C22	30	50 - 45	Z62147	3D24	24	100 - 7
T77858	2E17	3	60 - 17	U15973	2H20	17	70 - 61	Z62206	1F21	56	40 - 21
T77858	2F15	10	70 - 5	U15974	4D2	3	135 - 17	Z62549	3D24	22	100 - 7
T77858	2F19	6	70 - 9	U17409	1D10	7	25 - 30	122SE	3B25	13	90 - 25
T77858	2H2	21	70 - 43	U17409	1D12	5	25 - 33	124424	3E18	15	100 - 27
T77858	2H6	3	70 - 47	U17409	1D12	15	25 - 33	124424	3E20	12	100 - 29
T77858	2H25	1	70 - 67	U17409	1E2	26	25 - 49	124424	3E22	17	100 - 31
T77858	2I2	15	70 - 69	U17409	2C18	4	50 - 40	192SE	4B20	12	130 - 18
T77932	2D8	18	50 - 59	U17409	2C23	12	50 - 46	32243	3D20	2	100 - 3
T77932	2D22	6	50 - 73	U40728	4D2	6	135 - 17	32246	2C17	20	50 - 39
T77932	2E19	5	60 - 19	U40729	2C23	7	50 - 46	400R	4D16	12	140 - 9
T77932	2E21	1	60 - 21	U40745	2G12	20	70 - 28				
T77932	2F13	3	70 - 3	U40748	4D2	26	135 - 17				
T77932	2F15	3	70 - 5	U40749	4D2	25	135 - 17				
T77932	2F19	5	70 - 9	U40962	2G5	11	70 - 20				
T77932	2F21	2	70 - 11	U40962	2G9	11	70 - 25				
T77932	2H8	3	70 - 49	U40962	2G11	11	70 - 27				
T77932	2H10	12	70 - 51	U40962	2G12	11	70 - 28				
T77932	2I2	1	70 - 69	U41353	2D6	2	50 - 56				
T77932	2I4	12	70 - 71	U41516	4D2	16	135 - 17				
T77932	4C12	6	135 - 3	U42675	2C2	2	50 - 23				
T77932	4C14	15	135 - 5	U42902	2G9	26	70 - 25				
T77932	4C16	19	135 - 7	U44909	4B19	14	130 - 17				